

US00D826161S

(12) **United States Design Patent**  
**Zhuang et al.**

(10) **Patent No.:** **US D826,161 S**

(45) **Date of Patent:** **\*\* Aug. 21, 2018**

(54) **RECEPTACLE**

(71) Applicant: **EATON CORPORATION**, Cleveland, OH (US)

(72) Inventors: **Chuanchuan Zhuang**, Shanghai (CN); **Fengguo Zhang**, Shanghai (CN)

(73) Assignee: **EATON INTELLIGENT POWER LIMITED**, Dublin (IE)

(\*\*) Term: **15 Years**

(21) Appl. No.: **29/573,268**

(22) Filed: **Aug. 4, 2016**

(51) **LOC (11) Cl.** ..... **13-03**

(52) **U.S. Cl.**  
USPC ..... **D13/139.3**

(58) **Field of Classification Search**  
USPC ..... D13/108, 110, 123, 133, 137.1–137.4, D13/138.1–138.2, 139.1–139.8, 152–154, D13/156, 158, 177, 146, 147; D8/350–353, 331; D25/138, 163, 164  
CPC ..... H01R 25/00; H01R 25/006; H01R 9/00; H01R 11/00; H01R 3/00; H05K 5/02  
See application file for complete search history.

(56) **References Cited**

**U.S. PATENT DOCUMENTS**

D582,345 S	*	12/2008	Ham	.....	D13/133
D702,640 S	*	4/2014	Restrepo	.....	D13/139.1
D703,139 S	*	4/2014	Dodal	.....	D13/139.1
D705,734 S	*	5/2014	Dodal	.....	D13/139.1
D724,542 S	*	3/2015	Sasano	.....	D13/154
D732,719 S	*	6/2015	Mozdzer	.....	D13/139.1
D744,952 S	*	12/2015	Ni	.....	D13/139.3
D753,663 S	*	4/2016	Lorenzini	.....	D14/447
D777,676 S	*	1/2017	Haley	.....	D13/146

**OTHER PUBLICATIONS**

Amazon.com: Leviton 61110 RW6 eXtreme QuickPort Connector. Published Feb. 14, 2005. Retrieved from the internet at <https://www.amazon.com/Leviton-61110-RW6-eXtreme-QuickPort-Connector/dp/B000RATBWQ/>, Aug. 1, 2017. 1 page.\*

\* cited by examiner

*Primary Examiner* — Rosemary K Tarcza

*Assistant Examiner* — Christy M Nemeth

(74) *Attorney, Agent, or Firm* — Eckert Seamans

(57) **CLAIM**

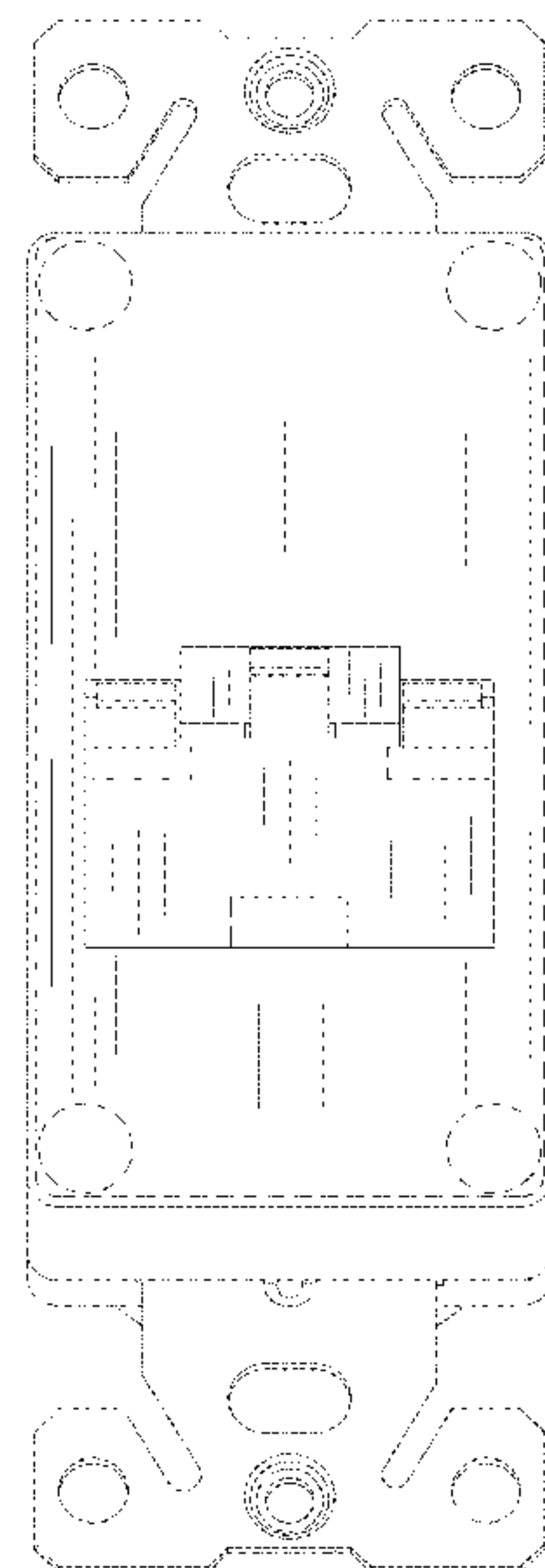
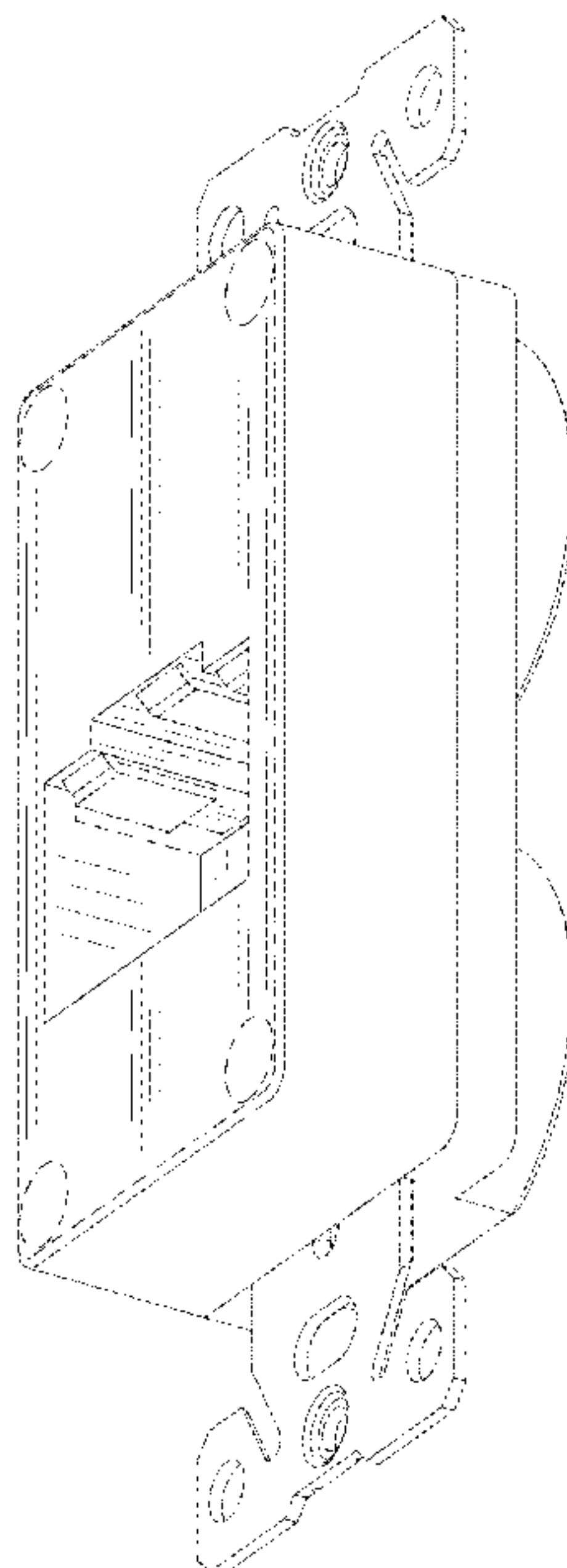
The ornamental design for a receptacle, as shown and described.

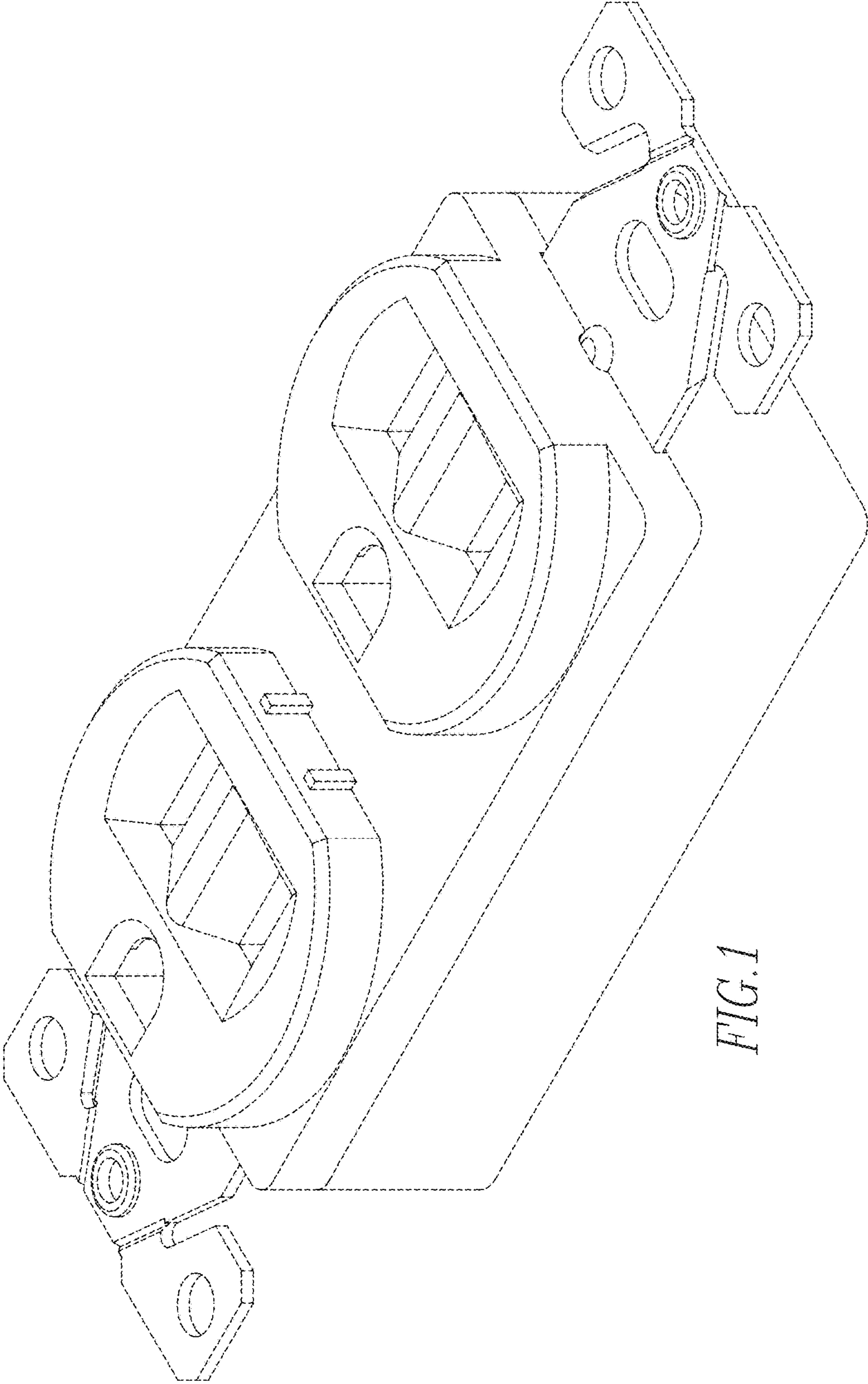
**DESCRIPTION**

FIG. 1 is a left front perspective view of a receptacle; FIG. 2 is a left rear perspective view thereof; FIG. 3 is a lower rear perspective view thereof; FIG. 4 is an upper rear perspective view thereof; FIG. 5 is a right rear perspective view thereof; FIG. 6 is a front elevation view thereof; FIG. 7 is a left side elevation view thereof; FIG. 8 is a right side elevation view thereof; FIG. 9 is a rear elevation view thereof; FIG. 10 is a top plan view thereof; and, FIG. 11 is a bottom plan view thereof.

The long-dash lines in the drawings are for the purpose of illustrating the boundary of the claimed design, and form no part of the claimed design. The short-dash lines are for the purpose of illustrating environmental subject matter that forms no part of the claimed design.

**1 Claim, 10 Drawing Sheets**





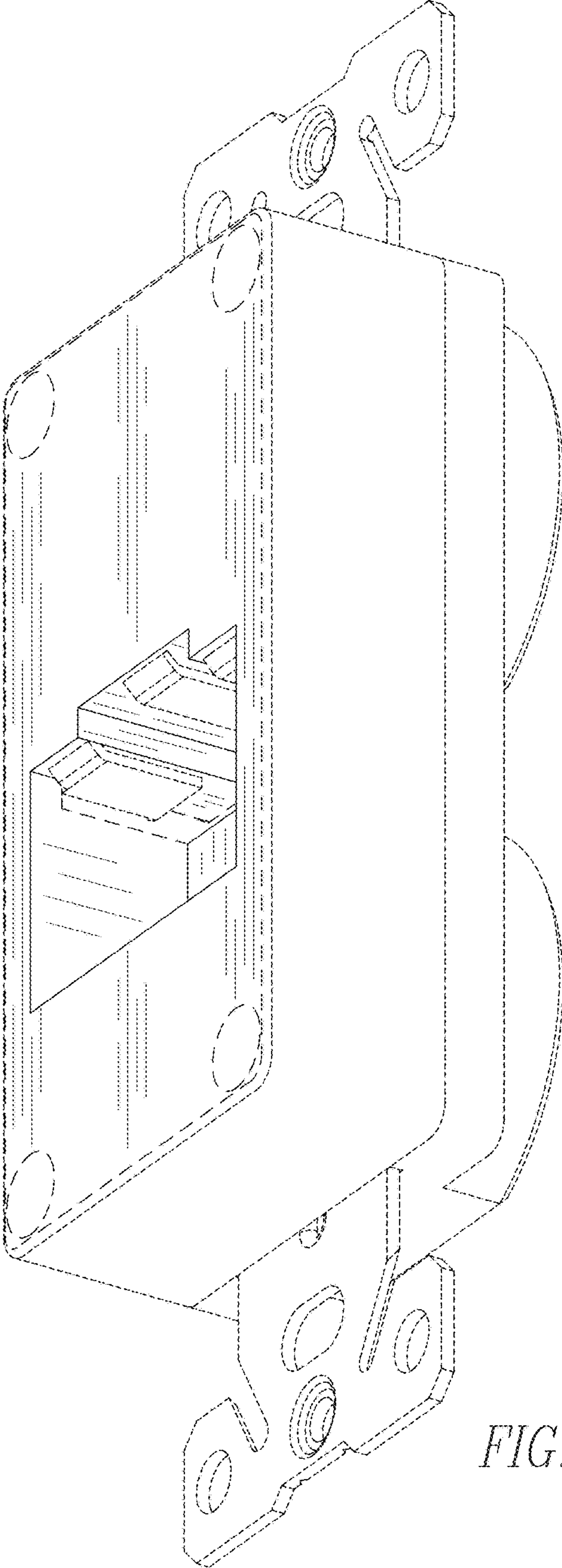
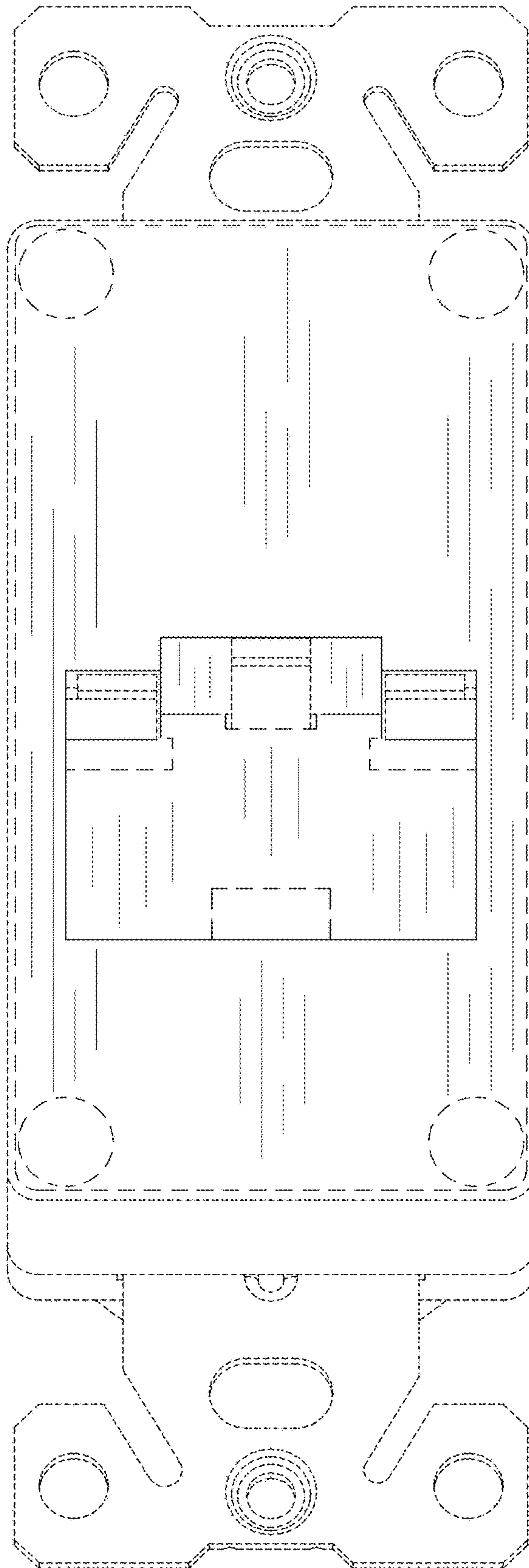


FIG. 2



*FIG. 3*



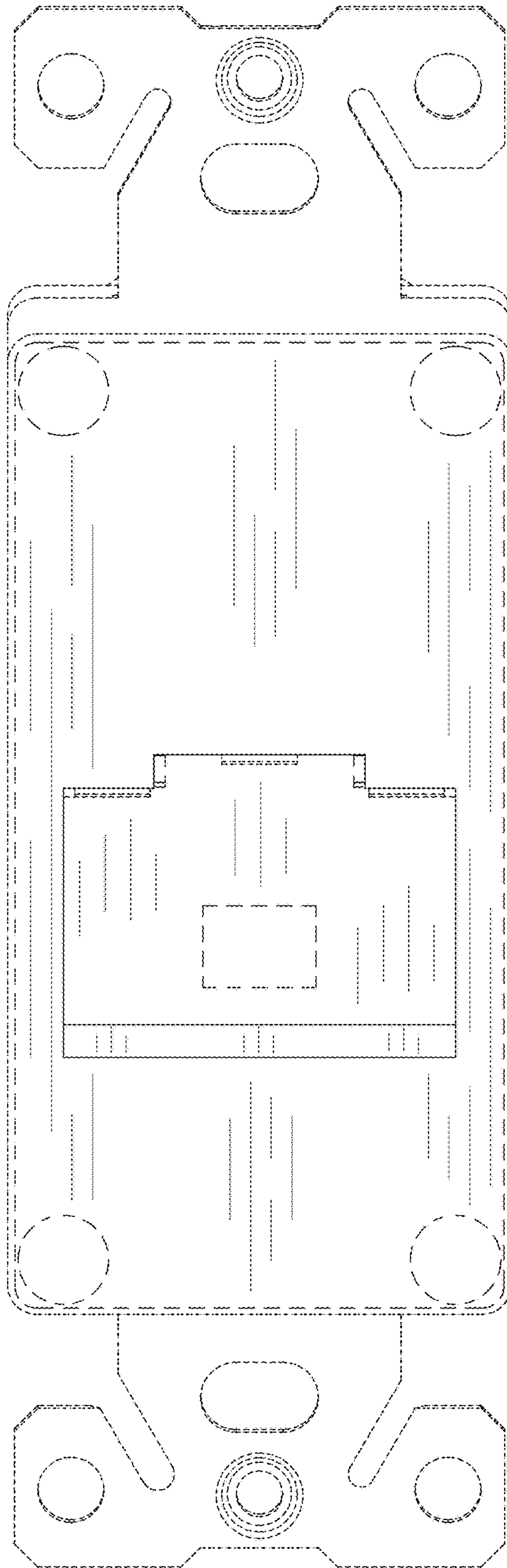


FIG. 4

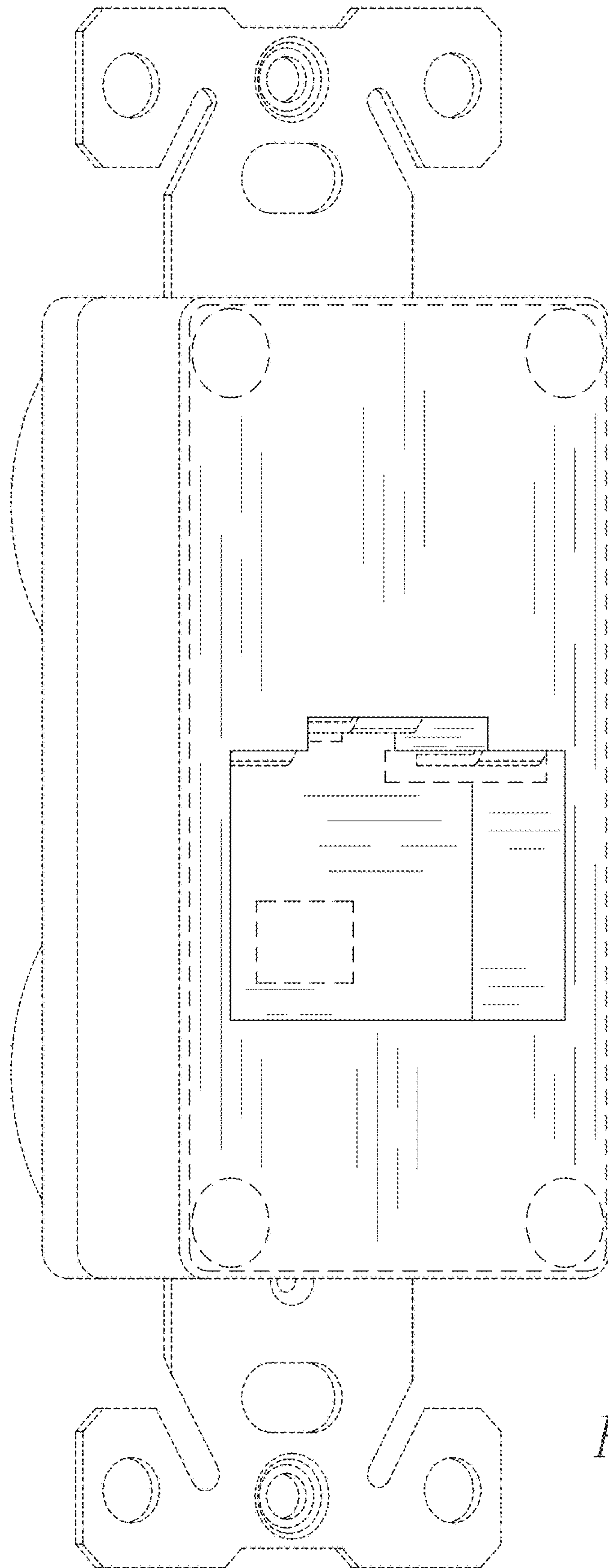


FIG. 5

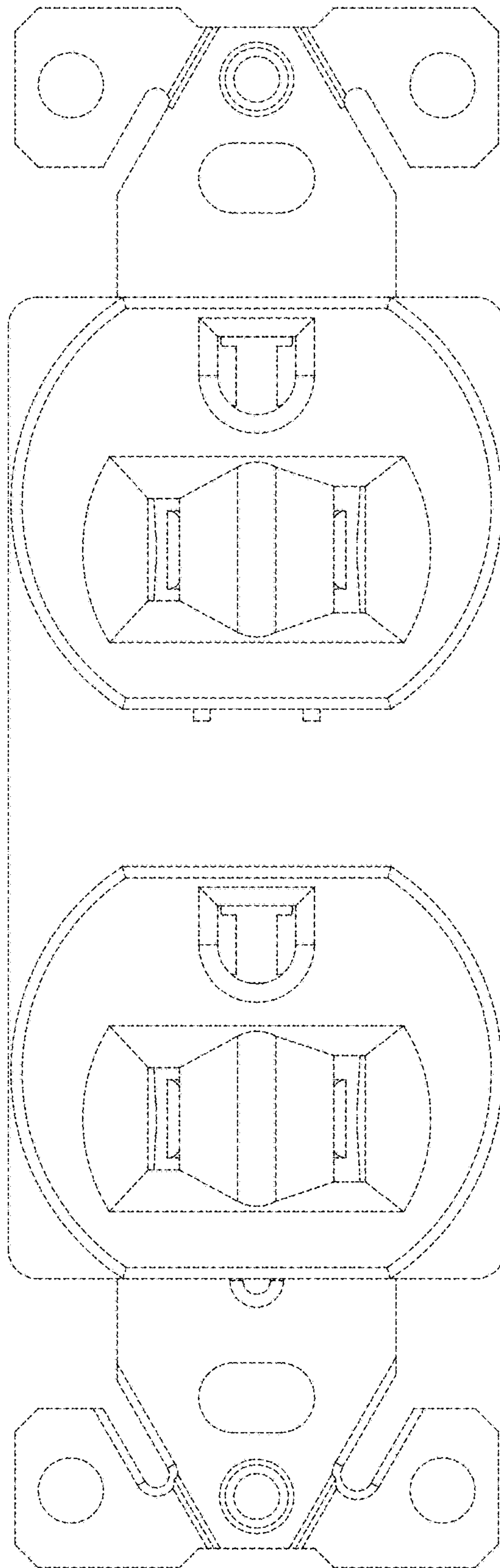


FIG. 6

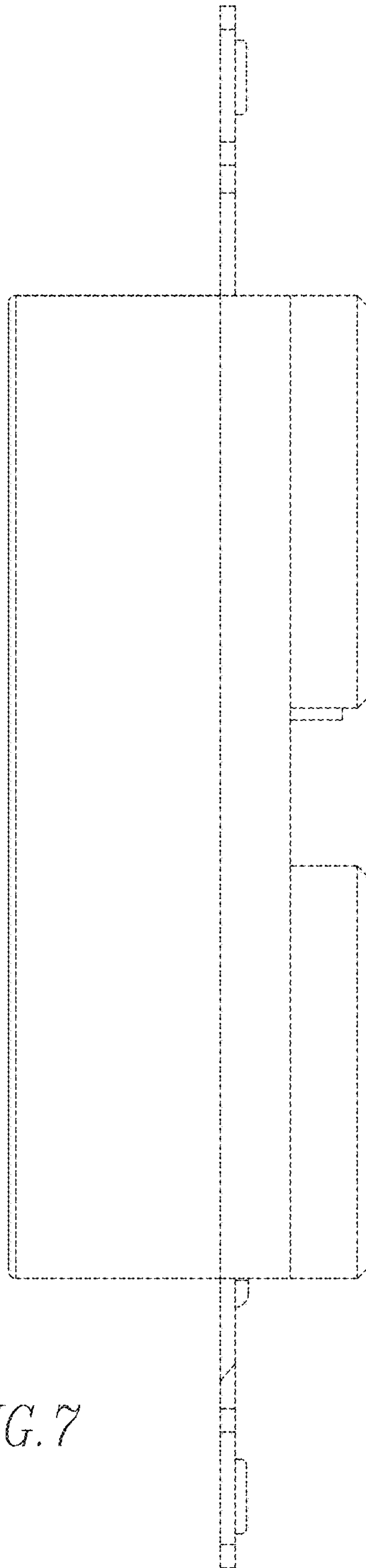
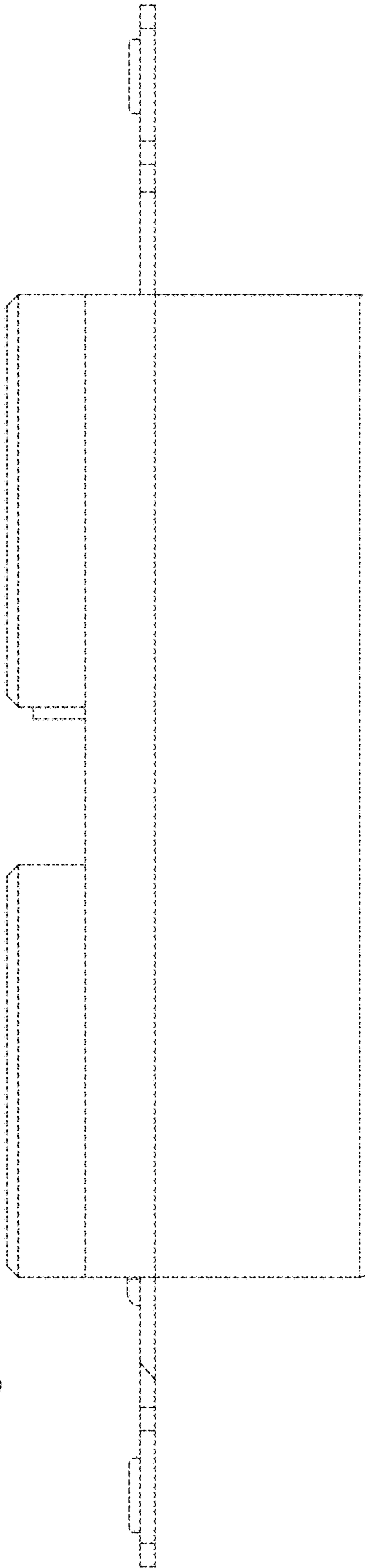


FIG. 7





*FIG. 8*

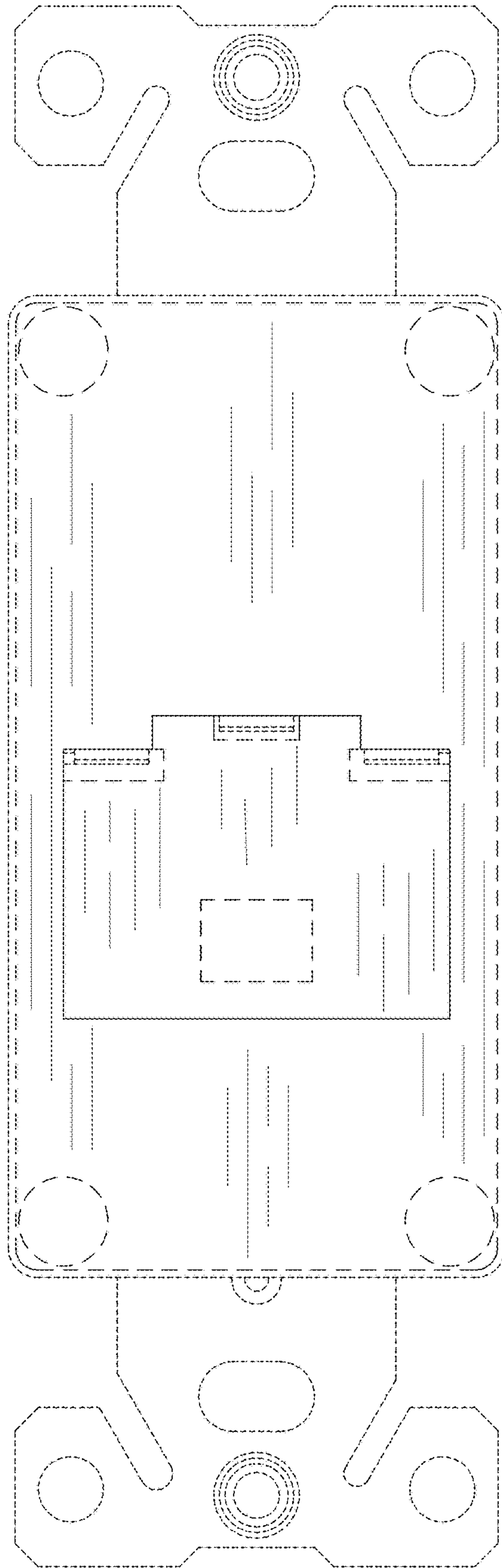
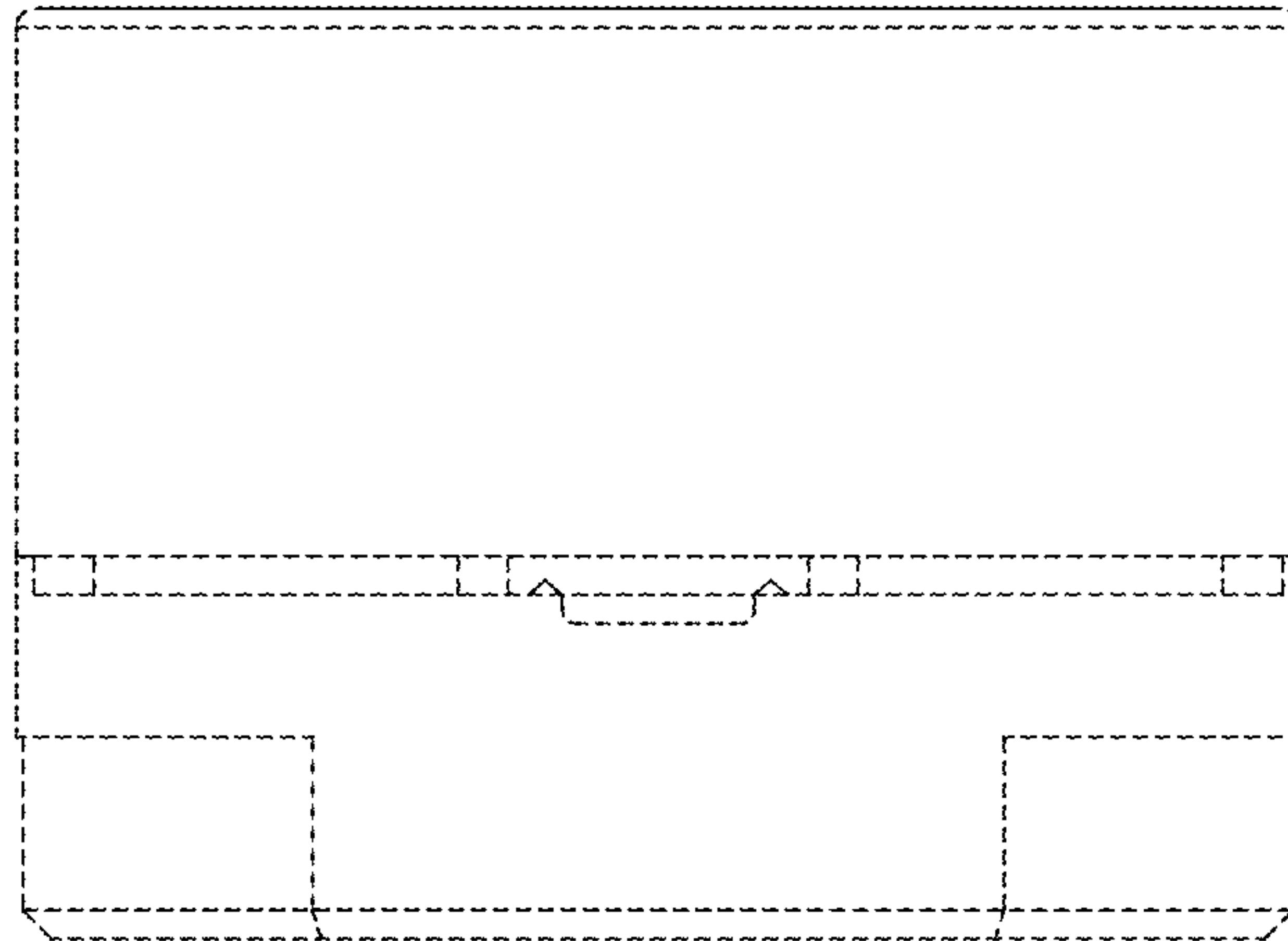
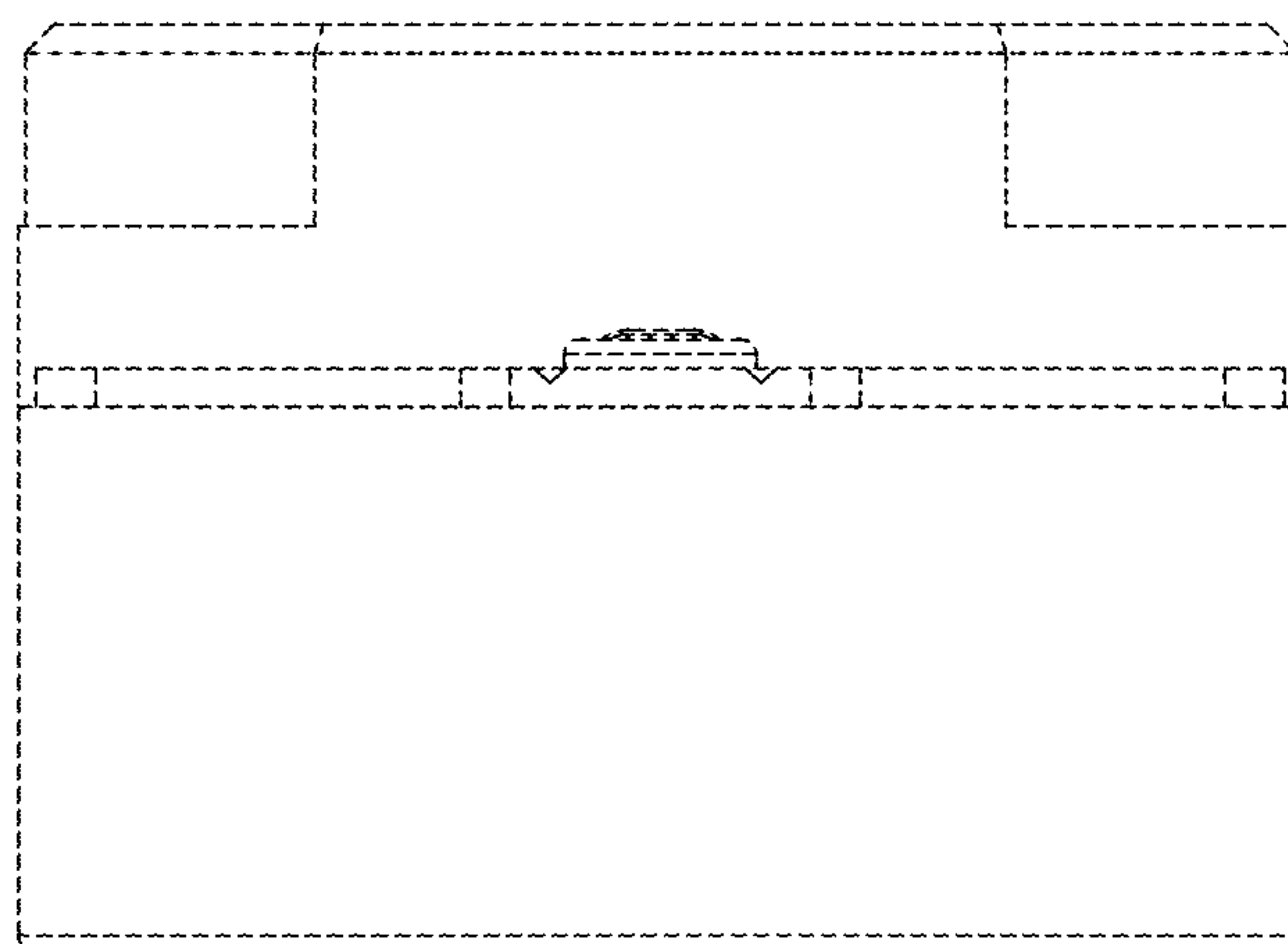


FIG. 9



*FIG. 10*



*FIG. 11*