



US00D826160S

(12) **United States Design Patent**
Xu

(10) **Patent No.:** **US D826,160 S**

(45) **Date of Patent:** **** Aug. 21, 2018**

(54) **PLUG**

(71) Applicant: **Guangdong BESTEK E-commerce Co., Ltd.**, Shenzhen (CN)

(72) Inventor: **Xinhua Xu**, Shenzhen (CN)

(73) Assignee: **GUANGDONG BESTEK E-COMMERCE CO., LTD.**, Shenzhen (CN)

(**) Term: **15 Years**

(21) Appl. No.: **29/611,574**

(22) Filed: **Jul. 23, 2017**

(30) **Foreign Application Priority Data**

Jul. 5, 2017 (CN) 2017 3 0290707

(51) **LOC (11) Cl.** **13-03**

(52) **U.S. Cl.**
USPC **D13/138.2**

(58) **Field of Classification Search**
USPC D13/108, 110, 123, 133, 137.1-137.4,
D13/138.1-138.2, 139.1-139.8, 152-154,
D13/146, 147, 156, 158, 177;
D8/350-353; D14/433
CPC H01R 11/00; H01R 9/00; H01R 25/00;
H01R 25/006; H01R 13/04
See application file for complete search history.

(56) **References Cited**

U.S. PATENT DOCUMENTS

5,480,318 A * 1/1996 Garrison H01R 13/20
439/102
5,772,447 A * 6/1998 Cheung H01R 24/28
439/31

D623,594 S * 9/2010 Akana D13/138.2
D636,336 S * 4/2011 Clark D13/137.2
RE46,006 E * 5/2016 Uekihara D13/110
D784,263 S * 4/2017 Xu D13/138.2
D805,480 S * 12/2017 Germe D13/138.1
2011/0097911 A1* 4/2011 Lee H01R 24/30
439/108
2015/0171571 A1* 6/2015 MacDougall H01R 13/7032
439/188
2015/0255915 A1* 9/2015 Kao H01R 24/28
439/606

* cited by examiner

Primary Examiner — Rosemary K Tarcza

Assistant Examiner — Christy M Nemeth

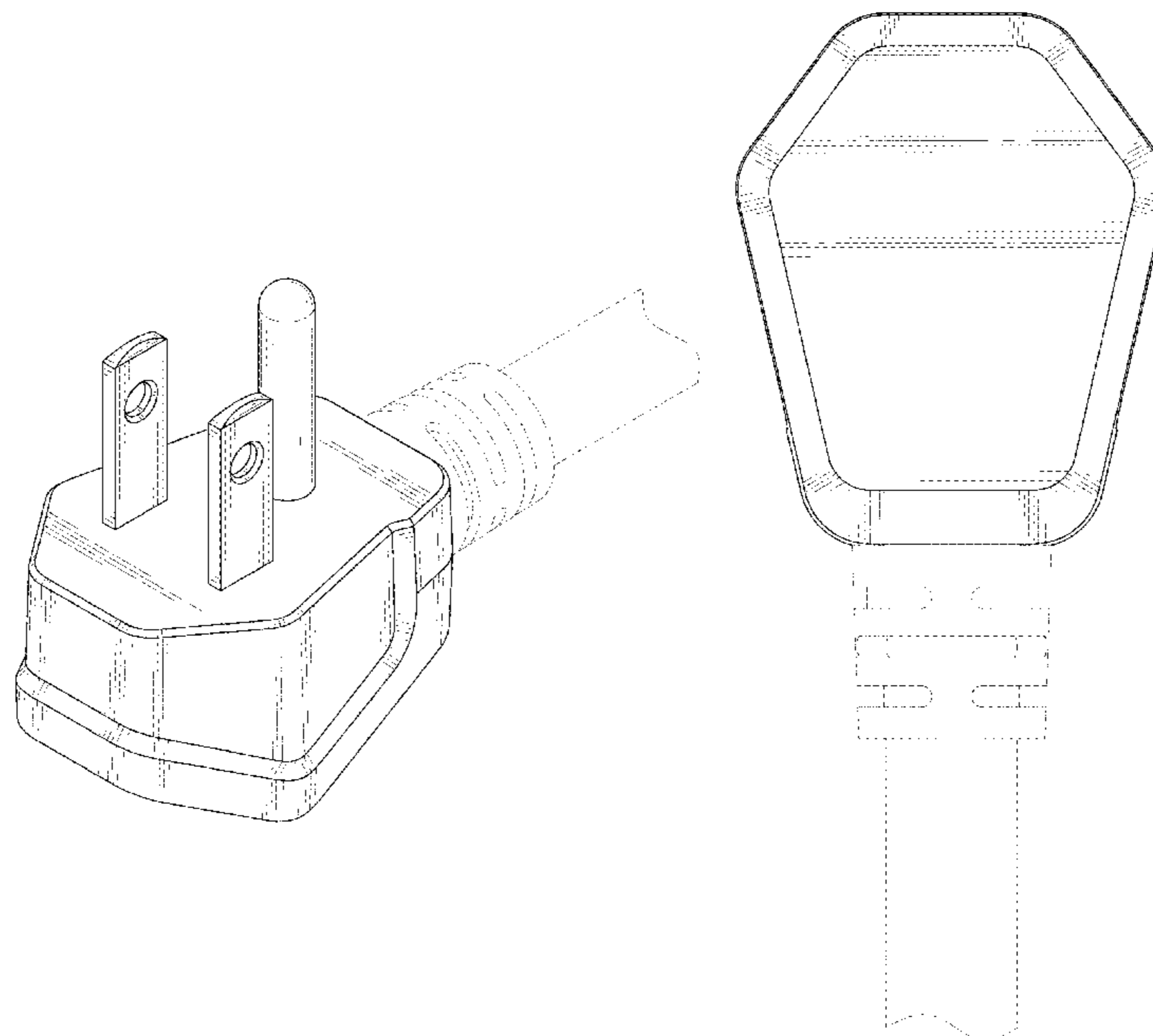
(57) **CLAIM**

The ornamental design for a plug, as shown and described.

DESCRIPTION

FIG. 1 is a top-rear-right side perspective view of a plug showing my new design;
FIG. 2 is a bottom-front-left side perspective view thereof;
FIG. 3 is a front elevational view thereof;
FIG. 4 is a rear elevational view thereof;
FIG. 5 is a left side elevational view thereof;
FIG. 6 is a right side elevational view thereof;
FIG. 7 is a top plan view thereof; and,
FIG. 8 is a bottom plan view thereof.
The broken lines in the drawings are for the purpose of illustrating portions of the plug that form no part of the claimed design.

1 Claim, 8 Drawing Sheets



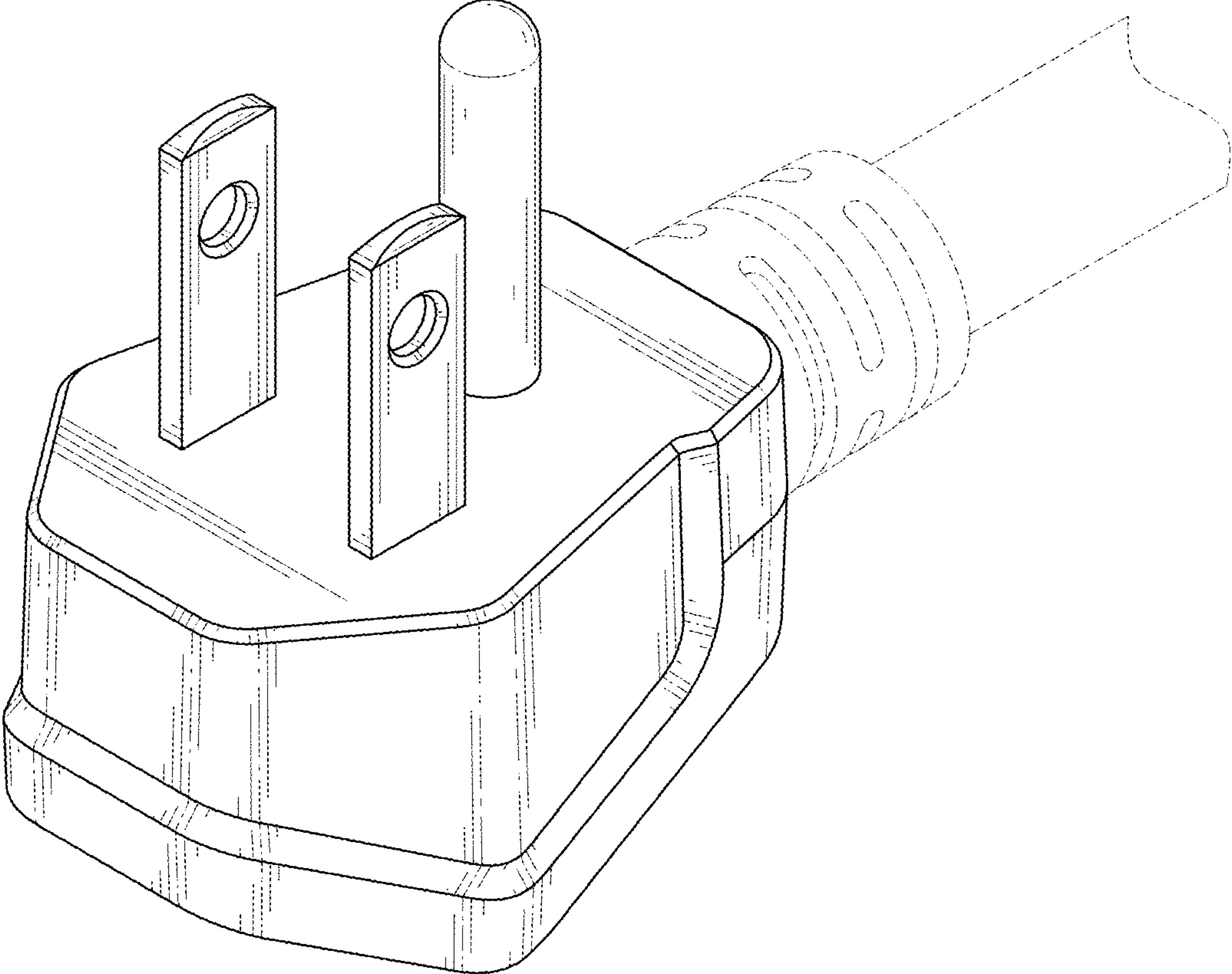


FIG. 1

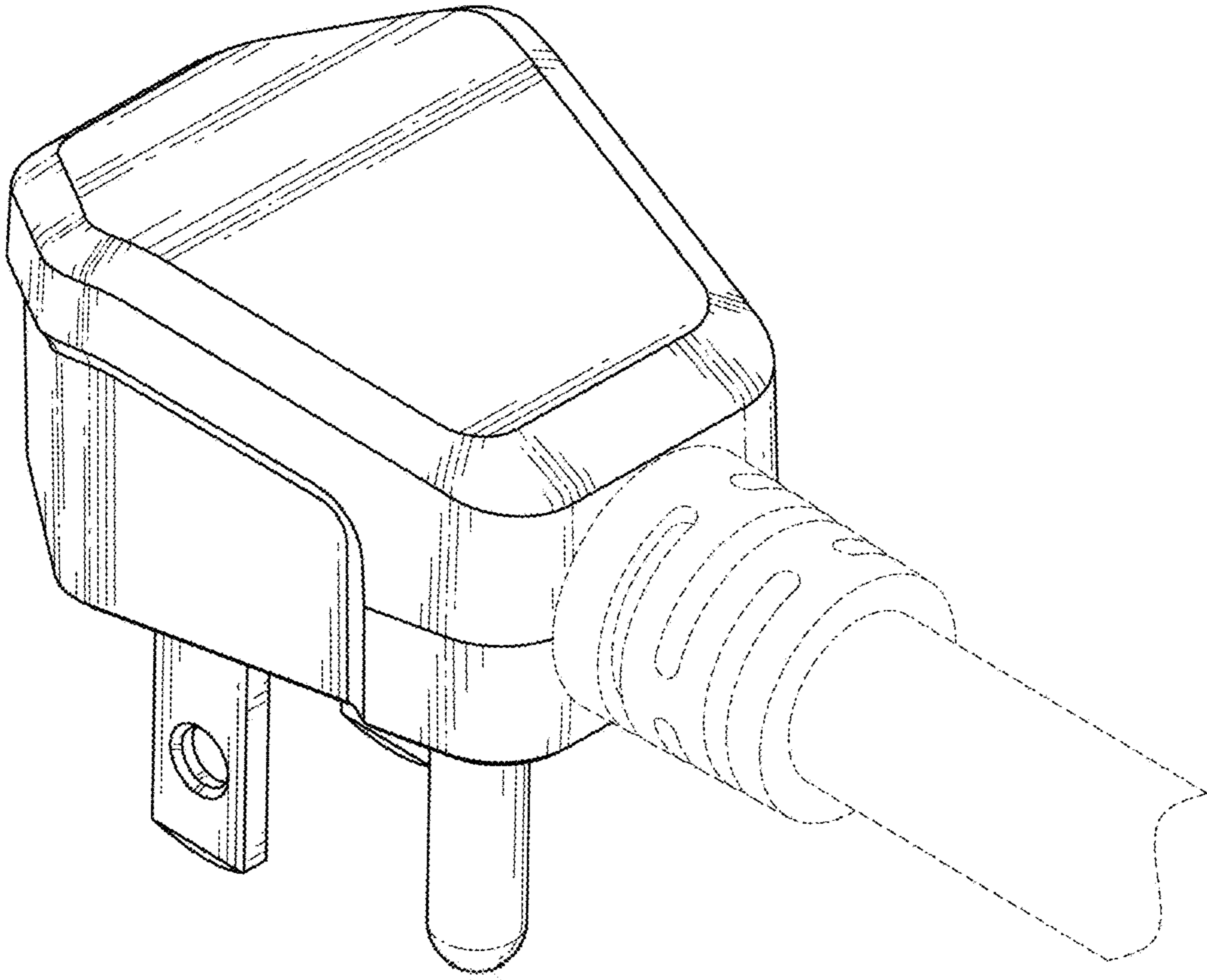


FIG. 2

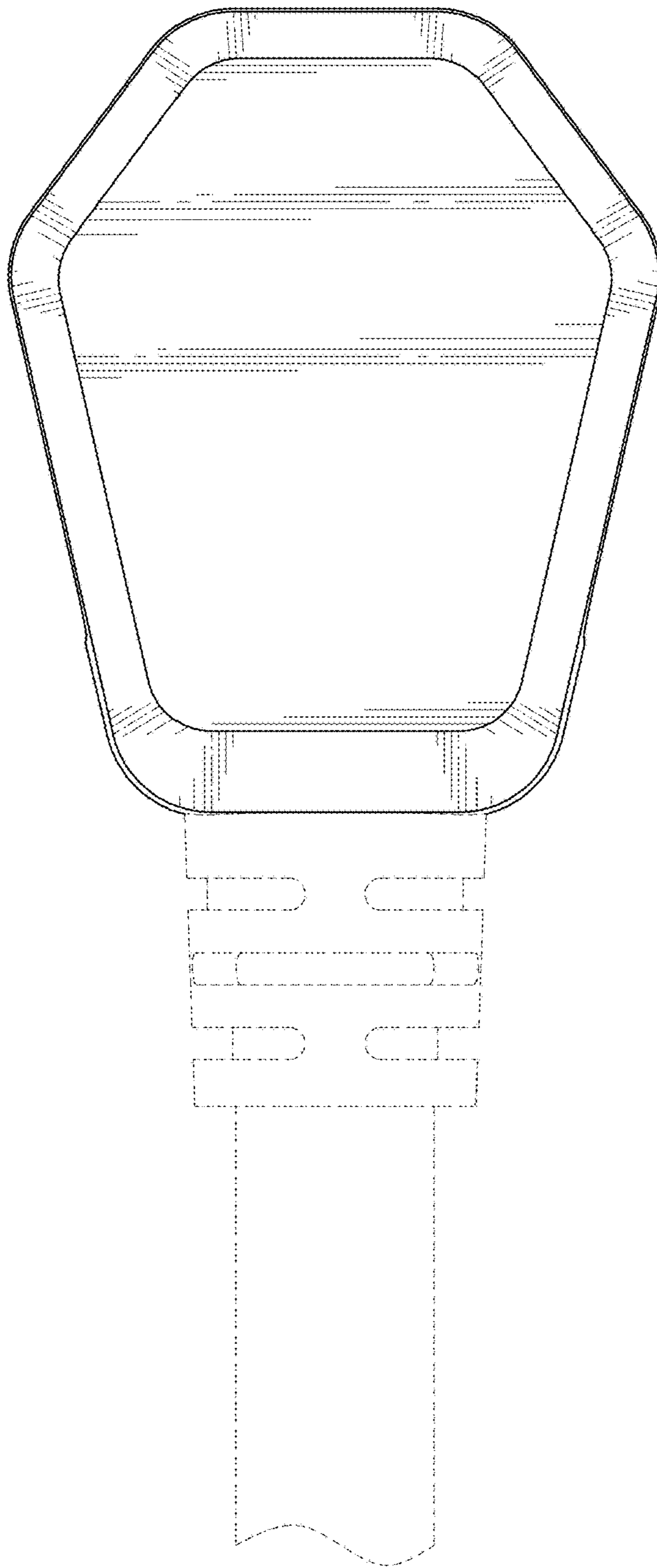


FIG. 3

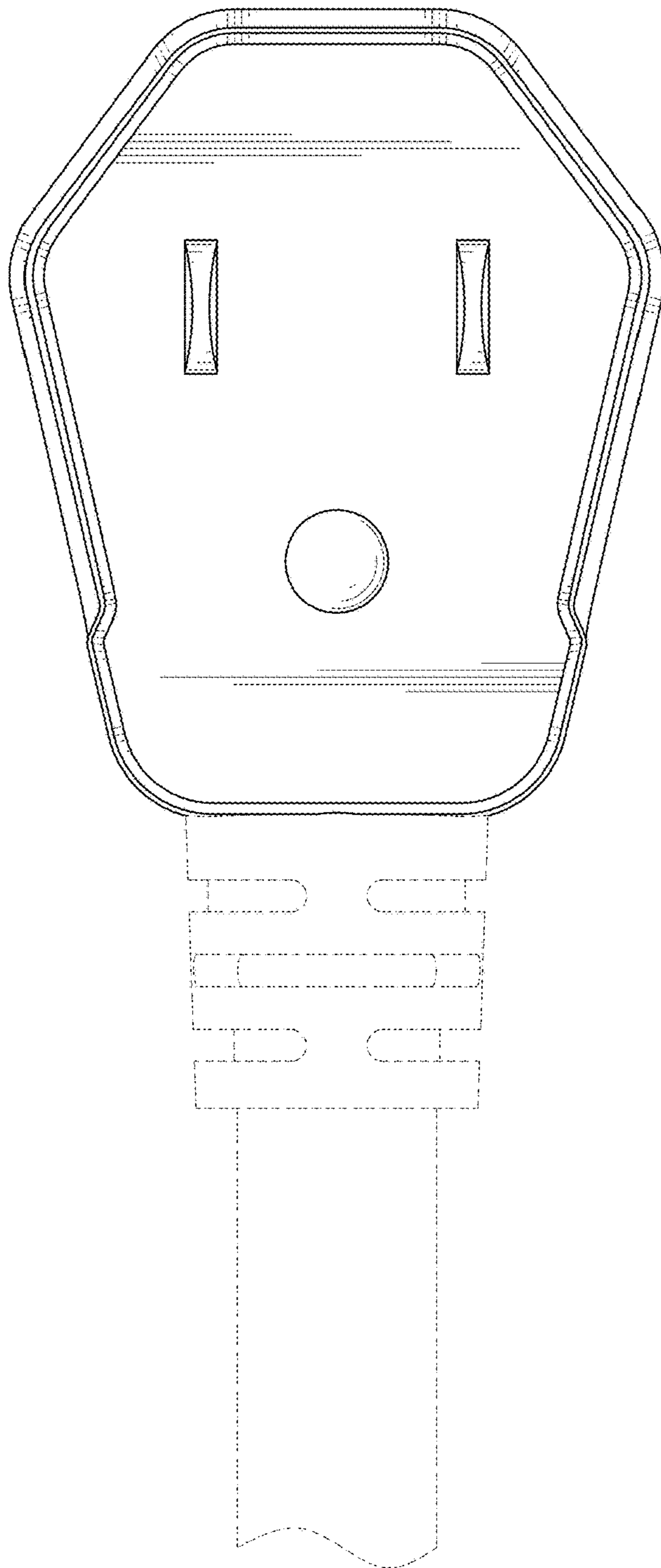


FIG. 4

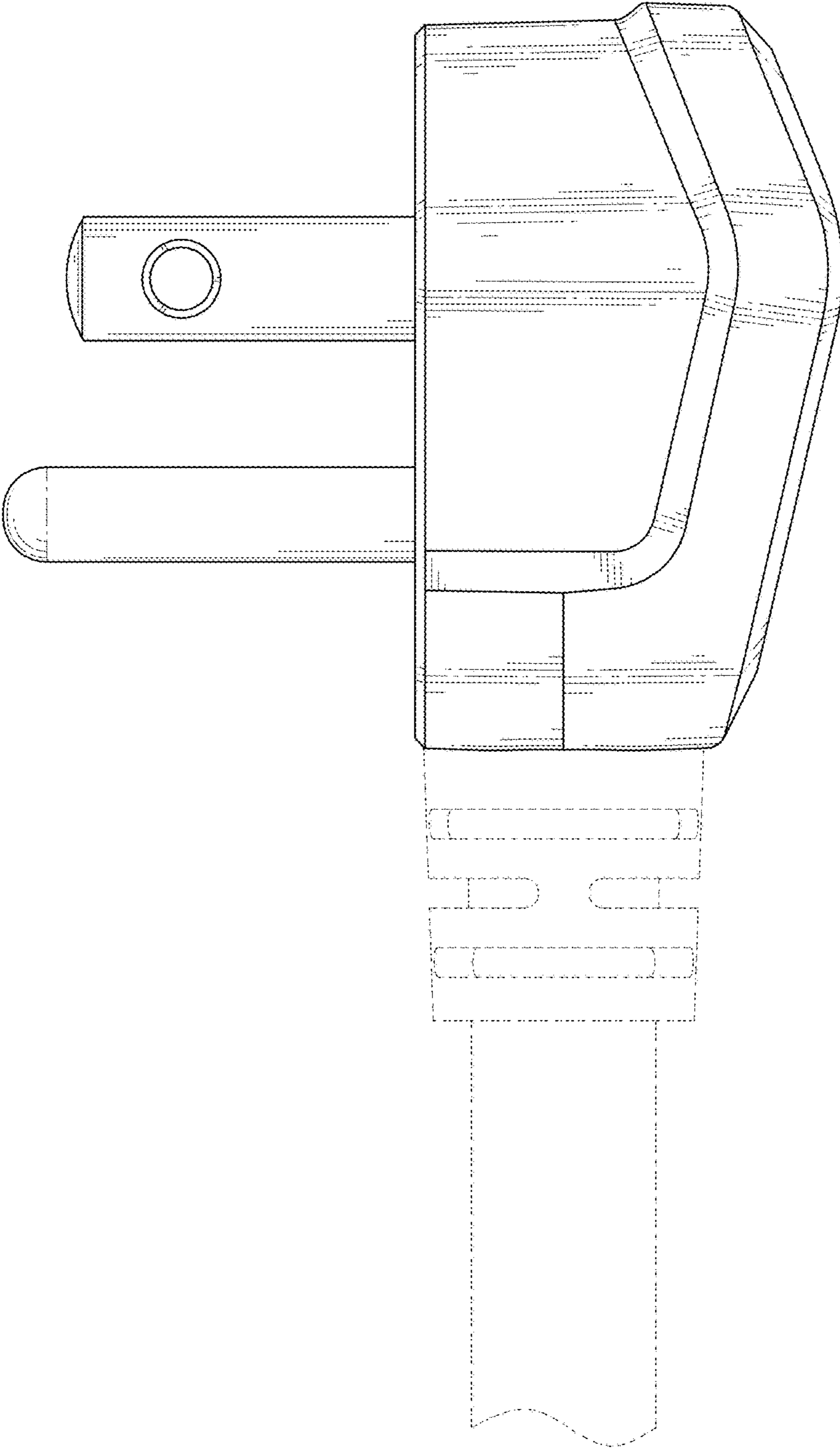


FIG. 5

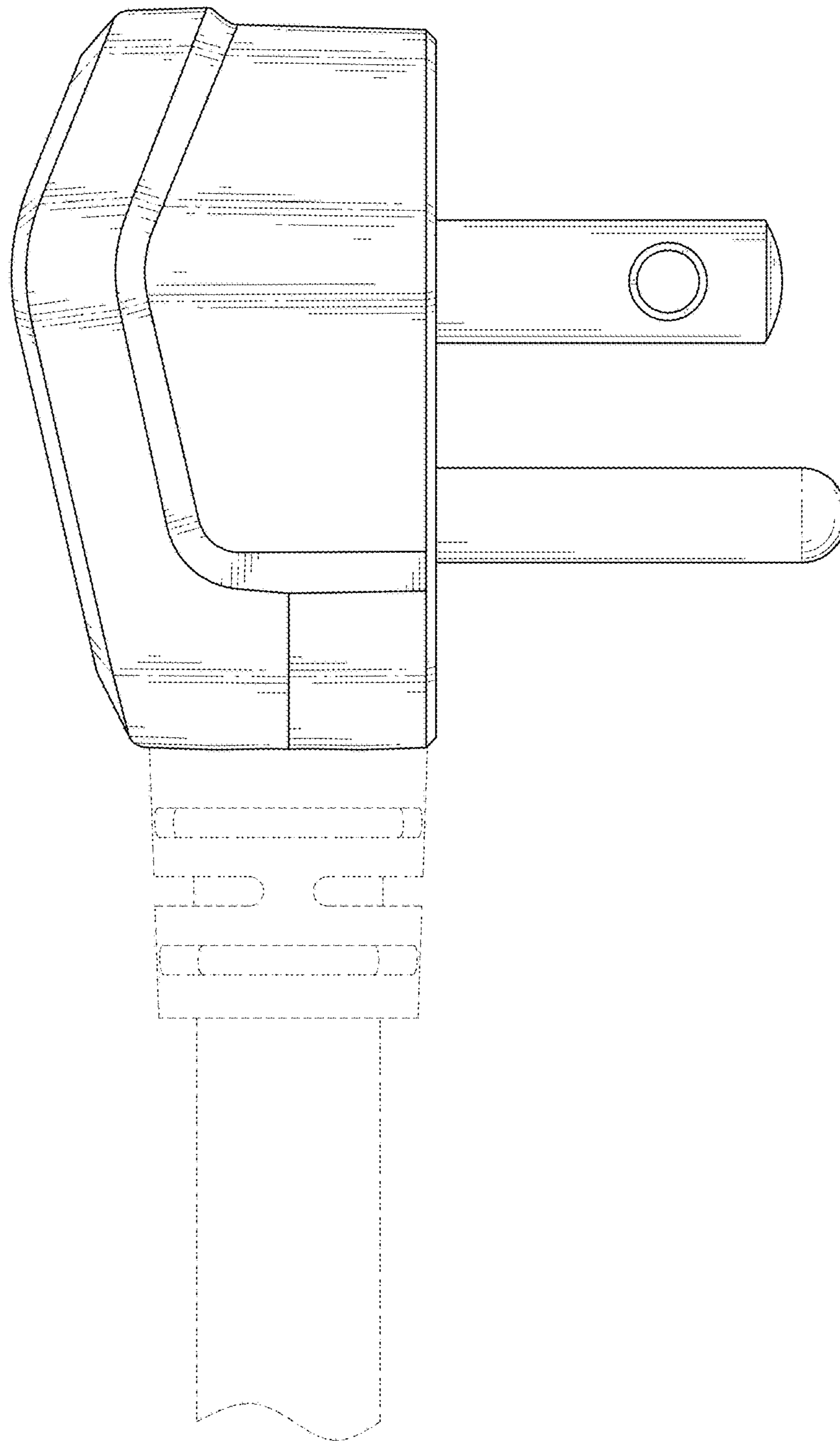


FIG. 6

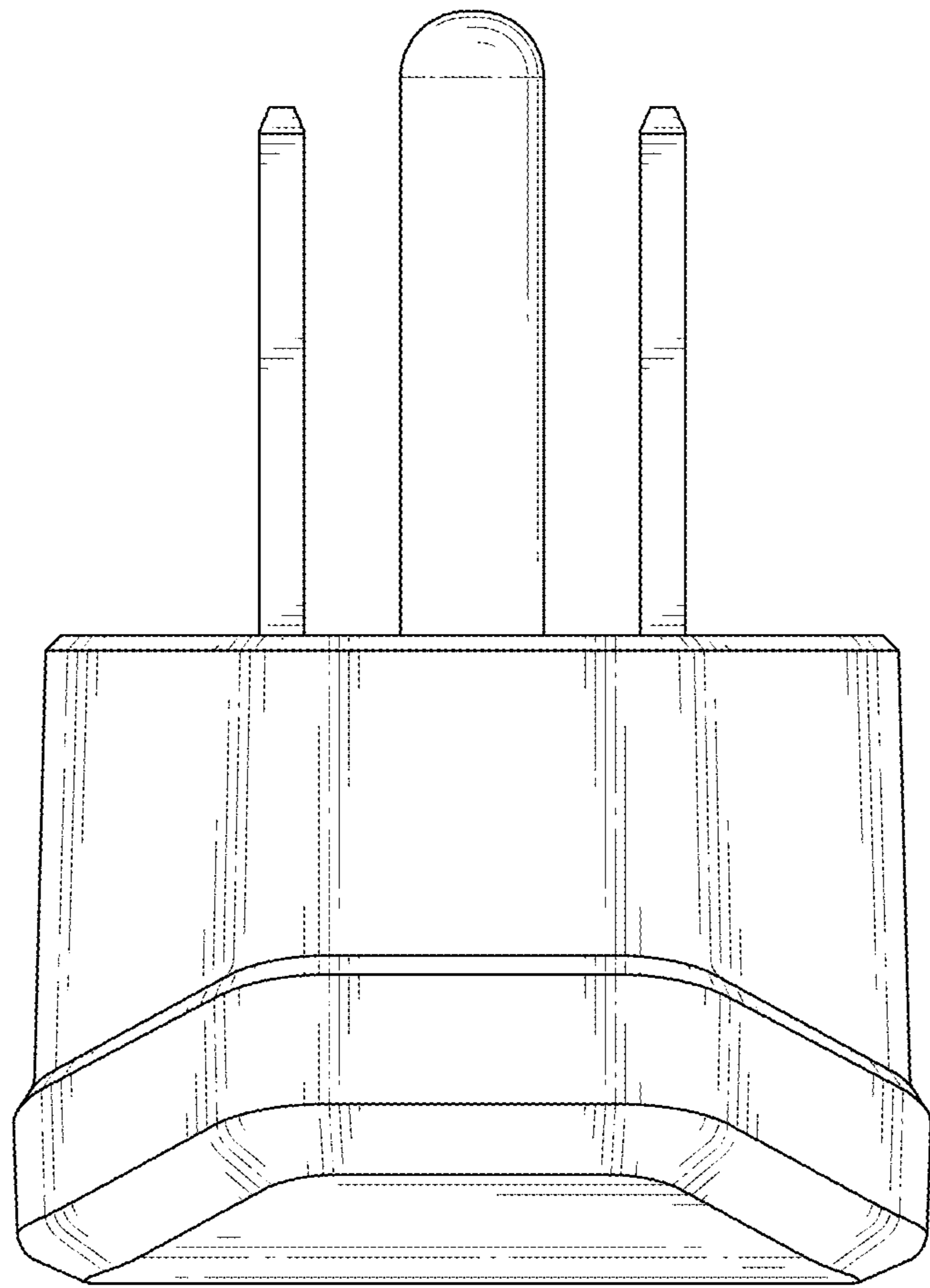


FIG. 7

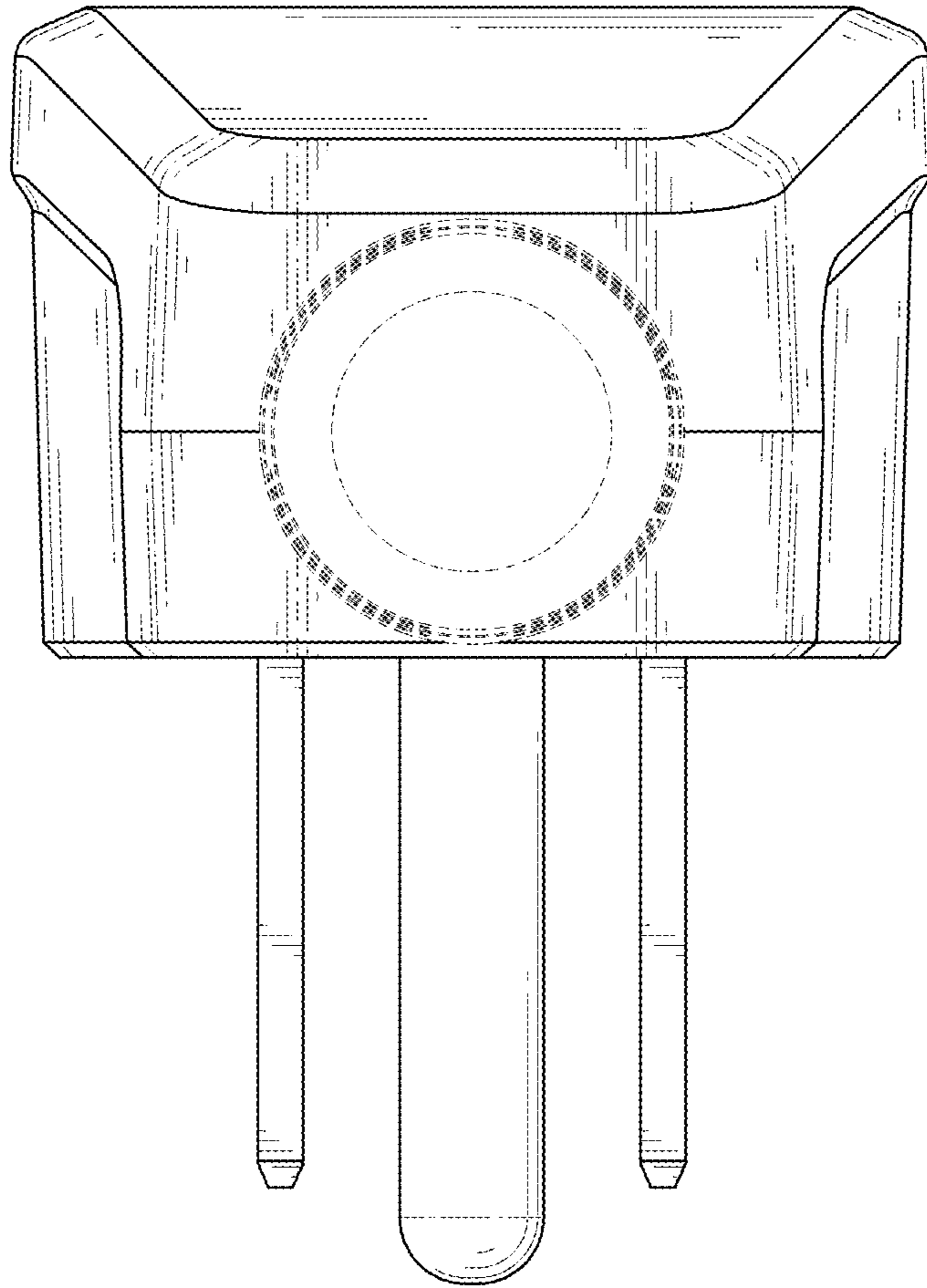


FIG. 8