



US00D826158S

(12) **United States Design Patent**  
**Riner**

(10) **Patent No.:** **US D826,158 S**

(45) **Date of Patent:** **\*\* Aug. 21, 2018**

(54) **SNAP-IN ELECTRICAL RECEPTACLE**

(71) Applicant: **Group Dekko, Inc.**, Garrett, IN (US)

(72) Inventor: **Raymond H. Riner**, Fort Wayne, IN (US)

(73) Assignee: **Group Dekko, Inc.**, Garrett, IN (US)

(\*\*) Term: **15 Years**

(21) Appl. No.: **29/562,475**

(22) Filed: **Apr. 26, 2016**

(51) **LOC (11) Cl.** ..... **13-03**

(52) **U.S. Cl.**  
USPC ..... **D13/137.2**

(58) **Field of Classification Search**  
USPC ..... D13/108, 110, 123, 133, 137.1–137.4,  
D13/138.1–138.2, 139.1–139.8, 152–154,  
D13/156, 158, 177, 146, 147;  
D8/350–353, 331; D25/138, 163, 164  
CPC ..... H01R 25/00; H01R 25/006; H01R 9/00;  
H01R 11/00; H01R 3/00; H05K 5/02  
See application file for complete search history.

(56) **References Cited**

**U.S. PATENT DOCUMENTS**

D556,138 S \* 11/2007 Ng ..... D13/138.1  
D750,559 S \* 3/2016 Riner ..... D13/108

D751,501 S \* 3/2016 Riner ..... D13/108  
D751,502 S \* 3/2016 Riner ..... D13/108  
D755,717 S \* 5/2016 Riner ..... D13/108  
9,698,584 B2 \* 7/2017 Shotey ..... H02G 3/14

\* cited by examiner

*Primary Examiner* — Rosemary K Tarcza

*Assistant Examiner* — Christy M Nemeth

(74) *Attorney, Agent, or Firm* — Taylor IP, P.C.

(57) **CLAIM**

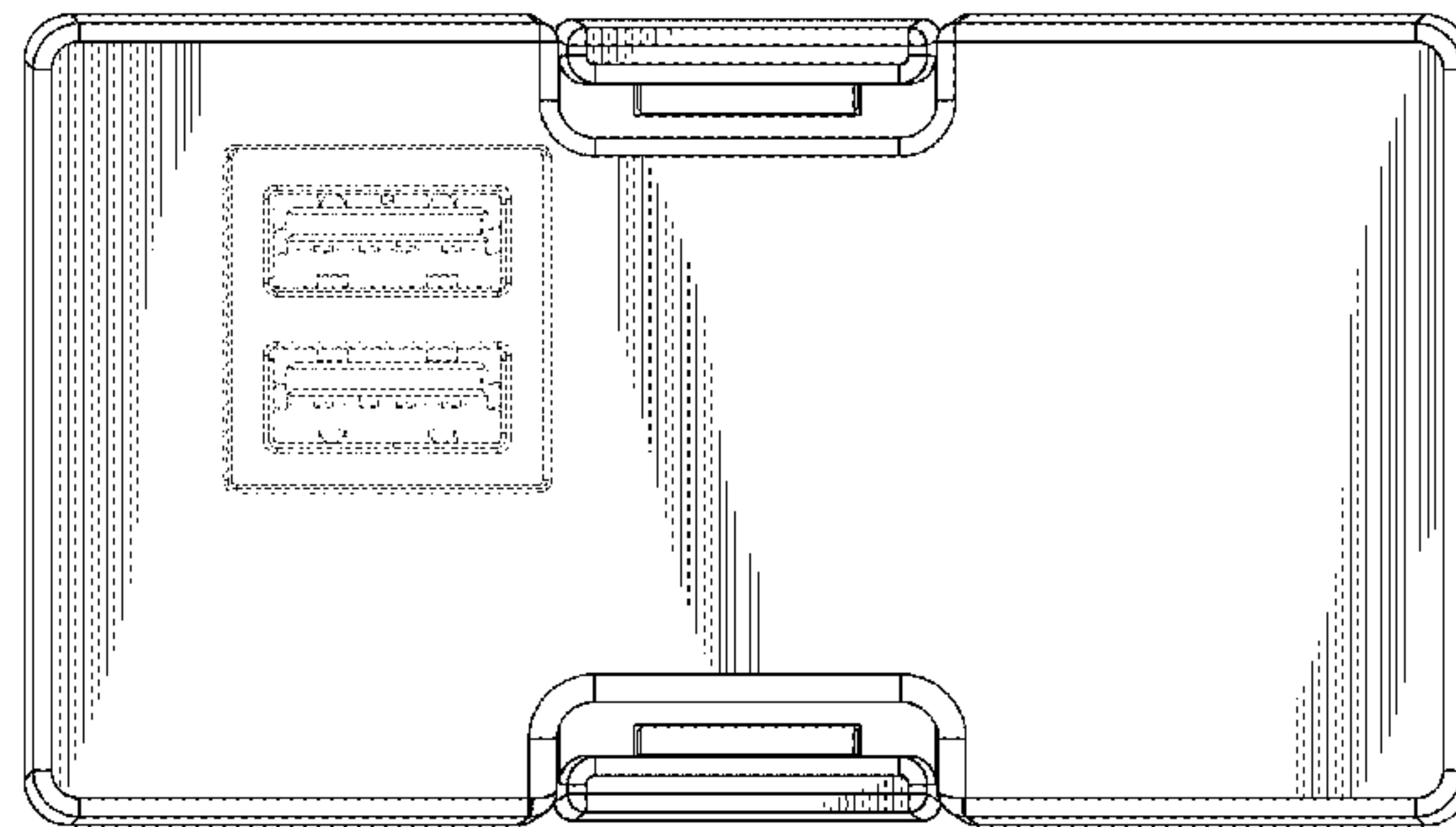
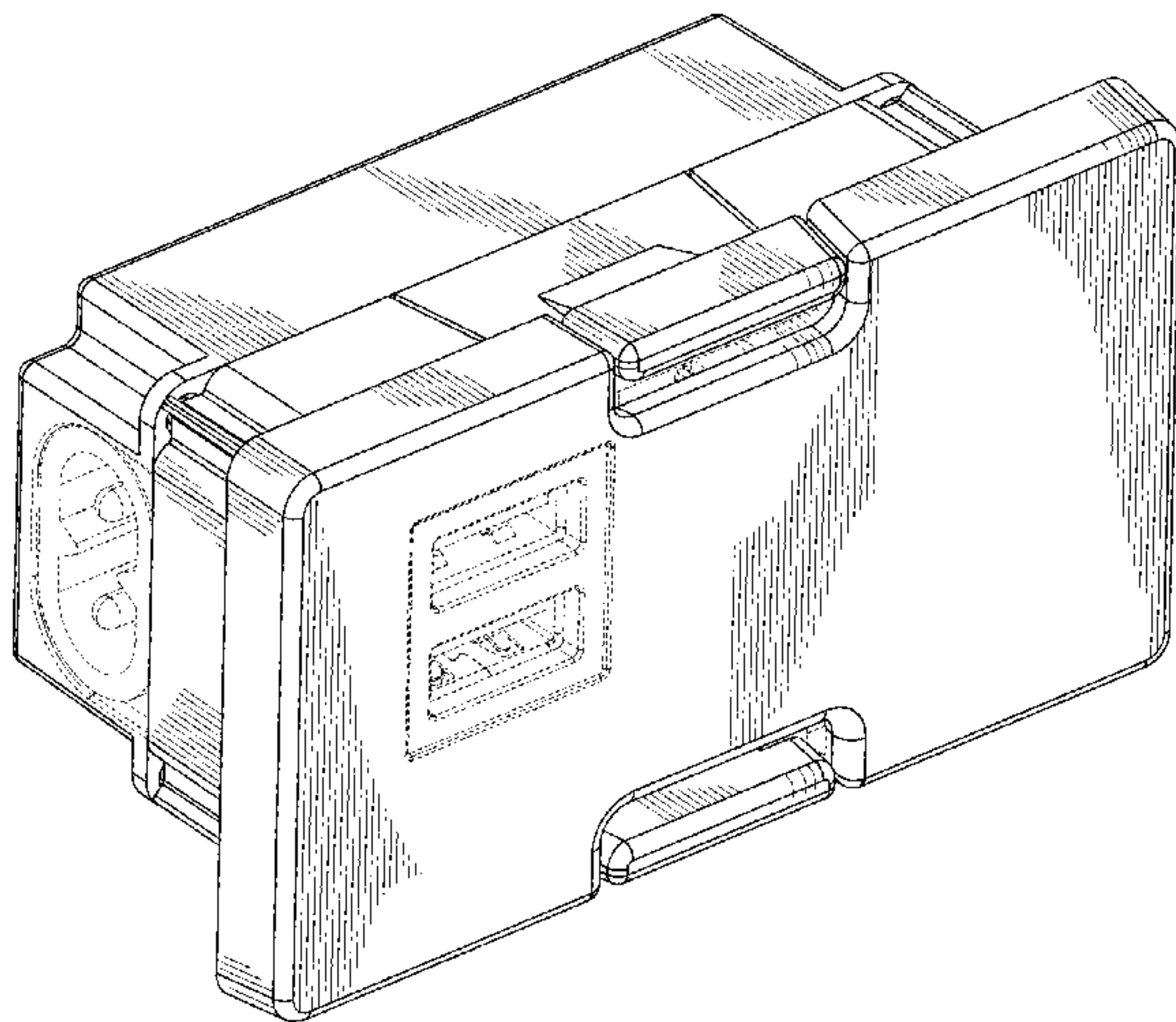
The ornamental design for a snap-in electrical receptacle, as shown and described.

**DESCRIPTION**

FIG. 1 is a front perspective view of a snap-in electrical receptacle showing my new design; FIG. 2 is a rear view thereof; FIG. 3 is a front view thereof; FIG. 4 is a side view thereof; FIG. 5 is a top view thereof; and, FIG. 6 is a side view thereof.

In the drawings, the broken lines are for the purpose of illustrating portions of the snap-in electrical receptacle that form no part of the claimed design.

**1 Claim, 6 Drawing Sheets**



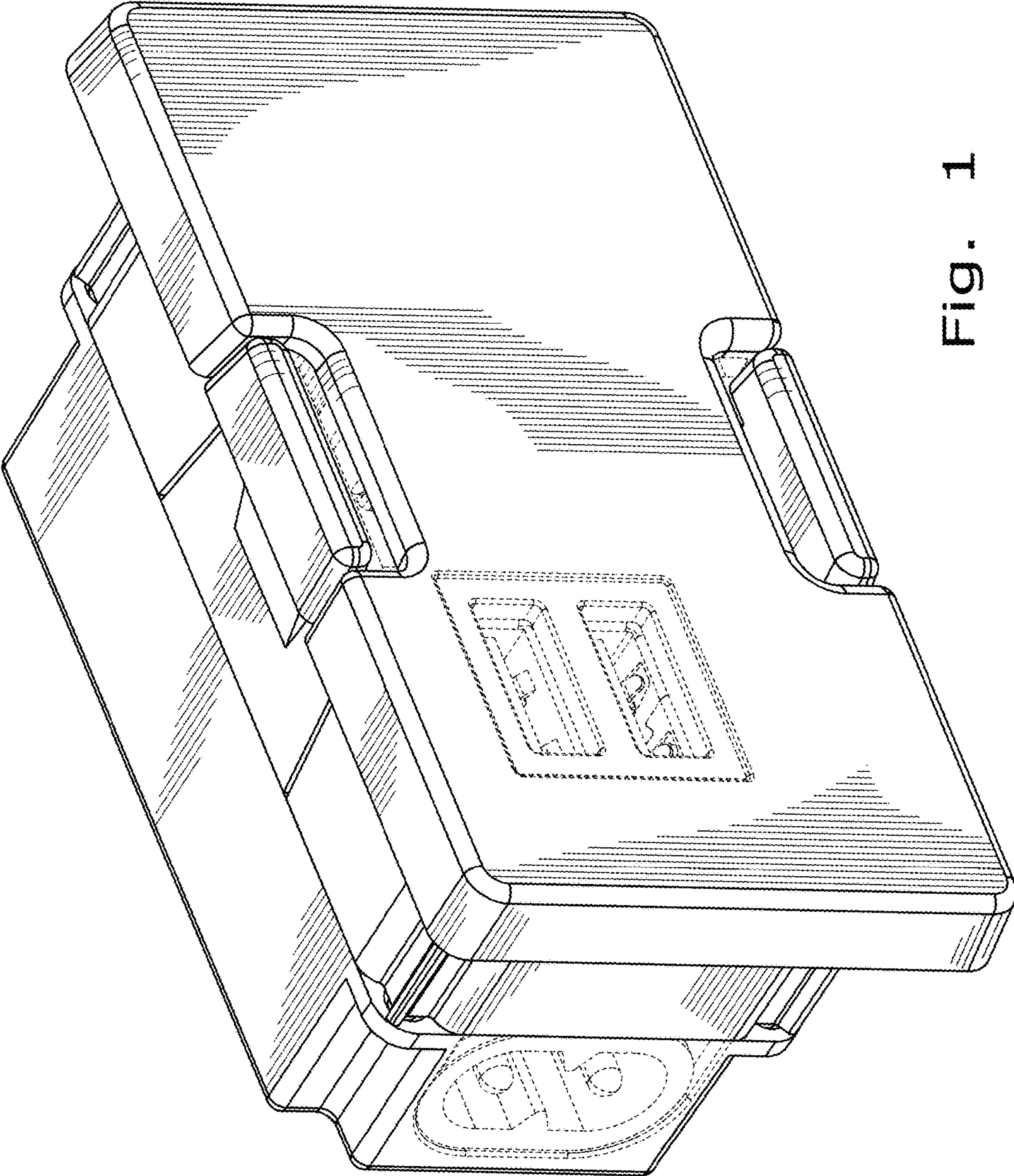


Fig. 1

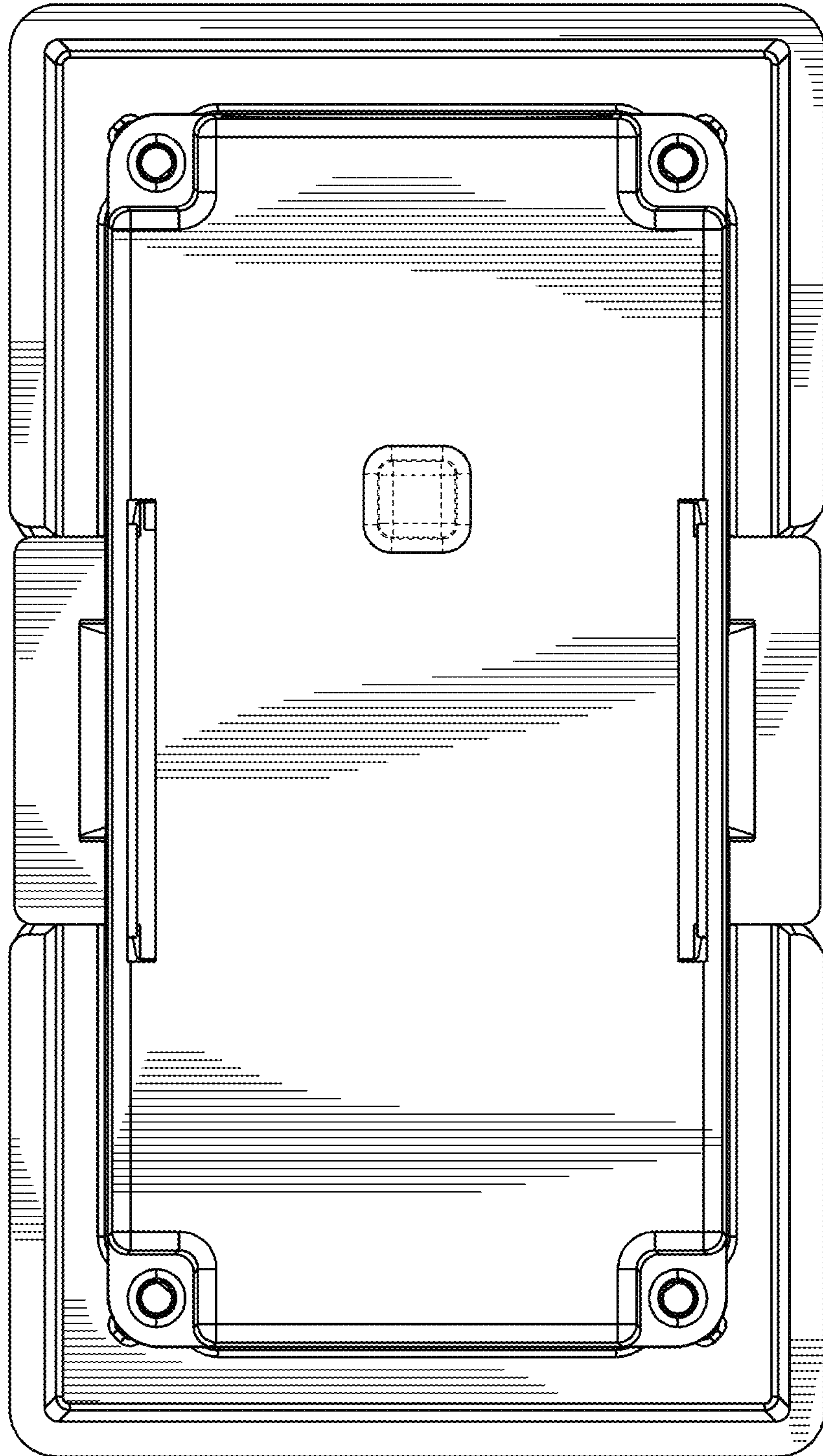


Fig. 2



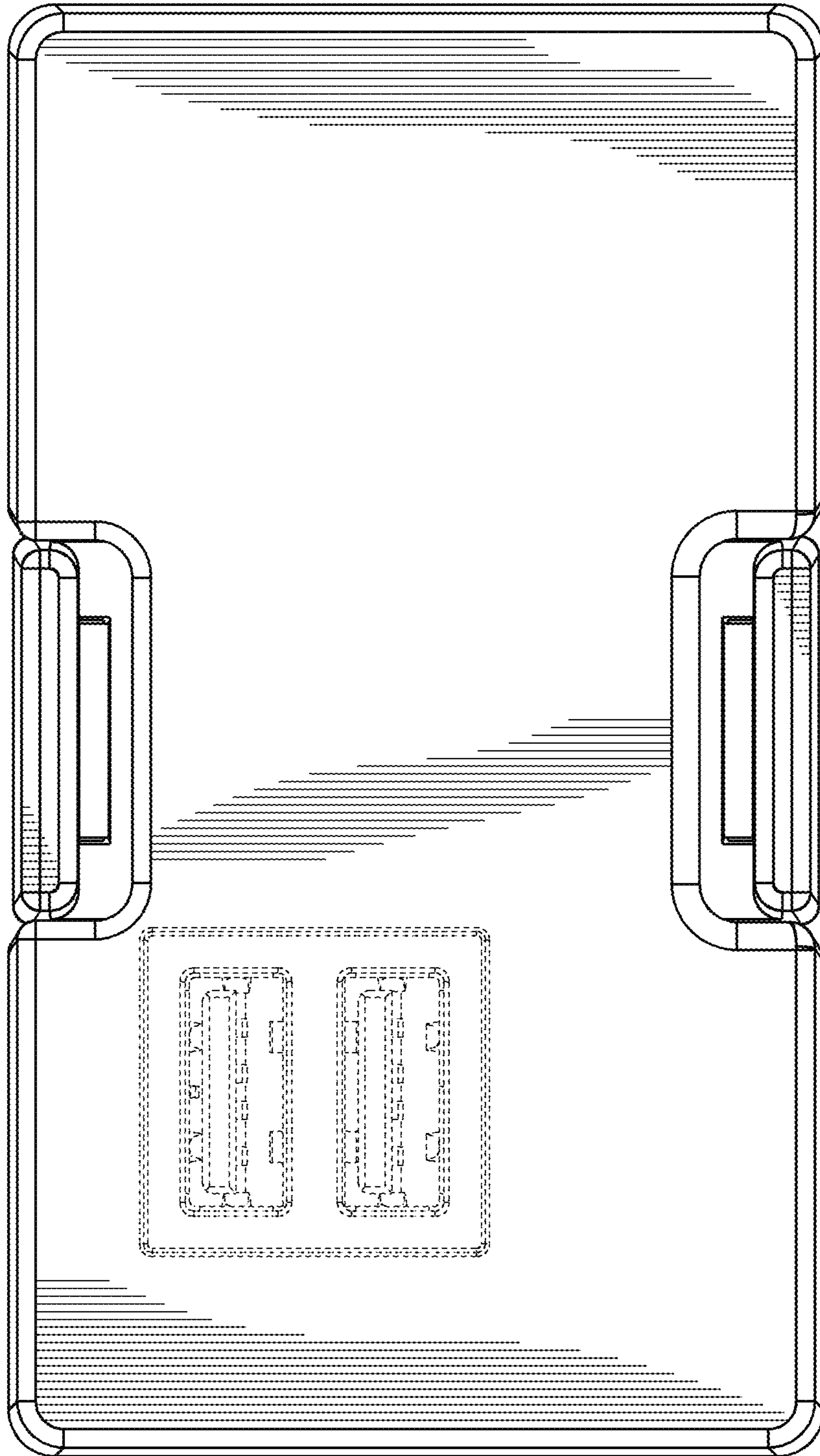


Fig. 3

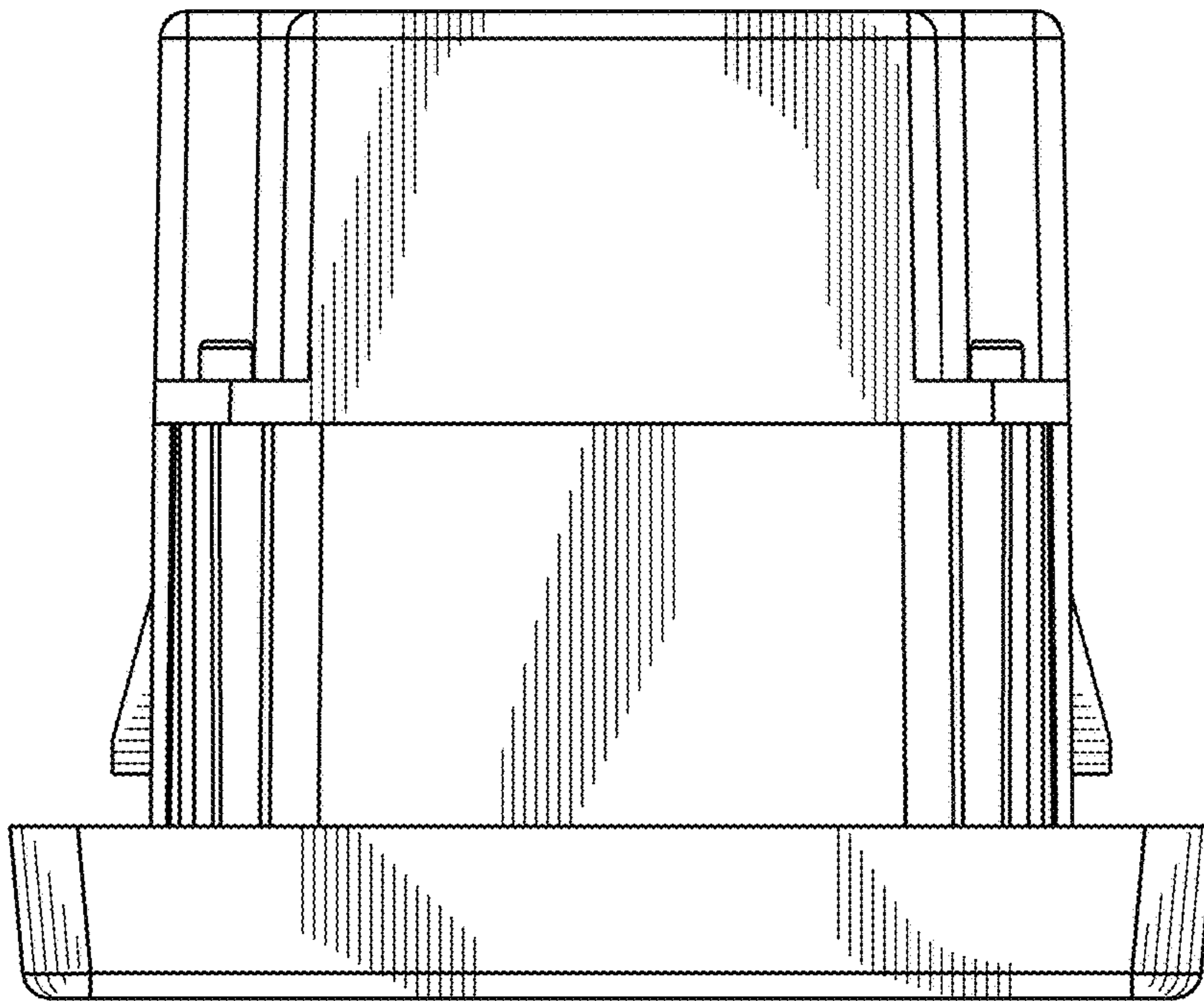


Fig. 4

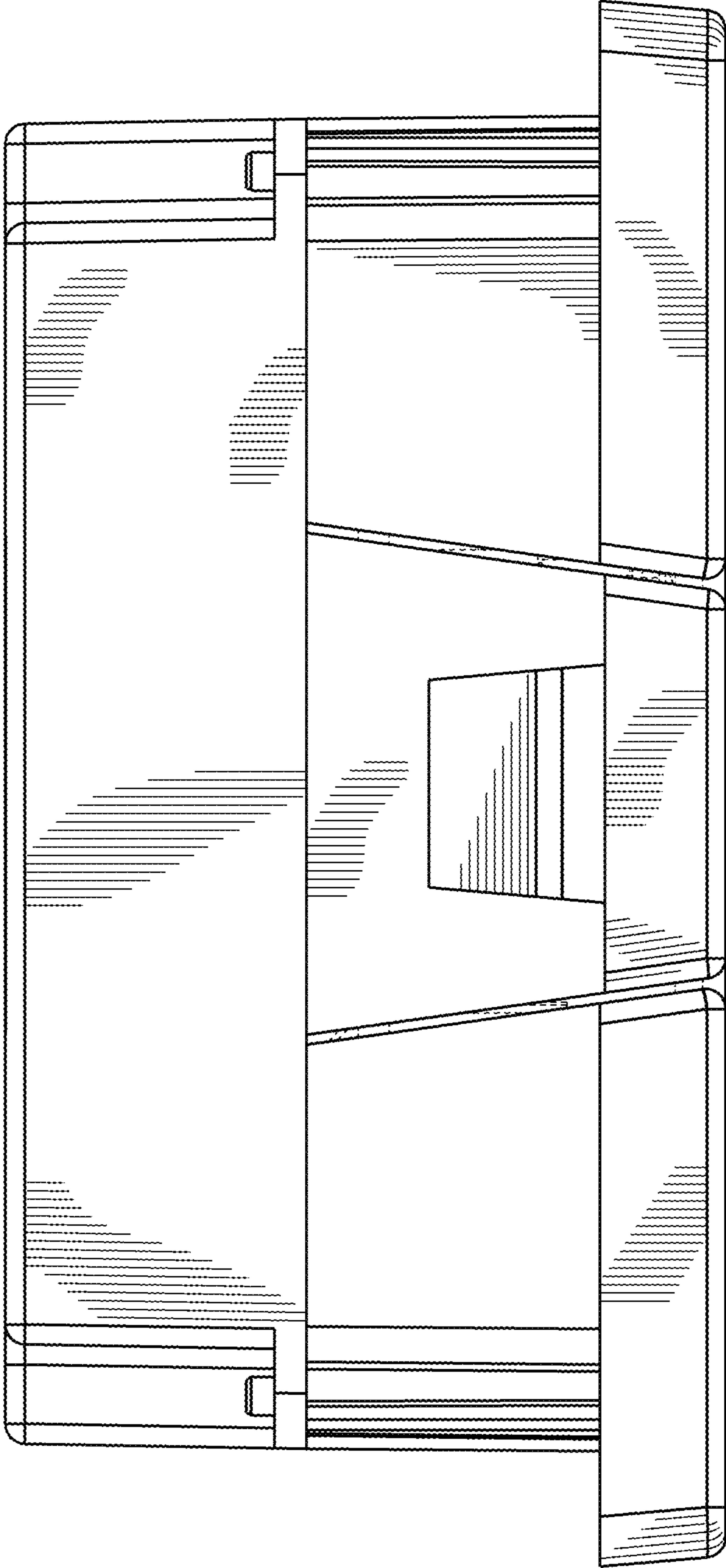


Fig. 5

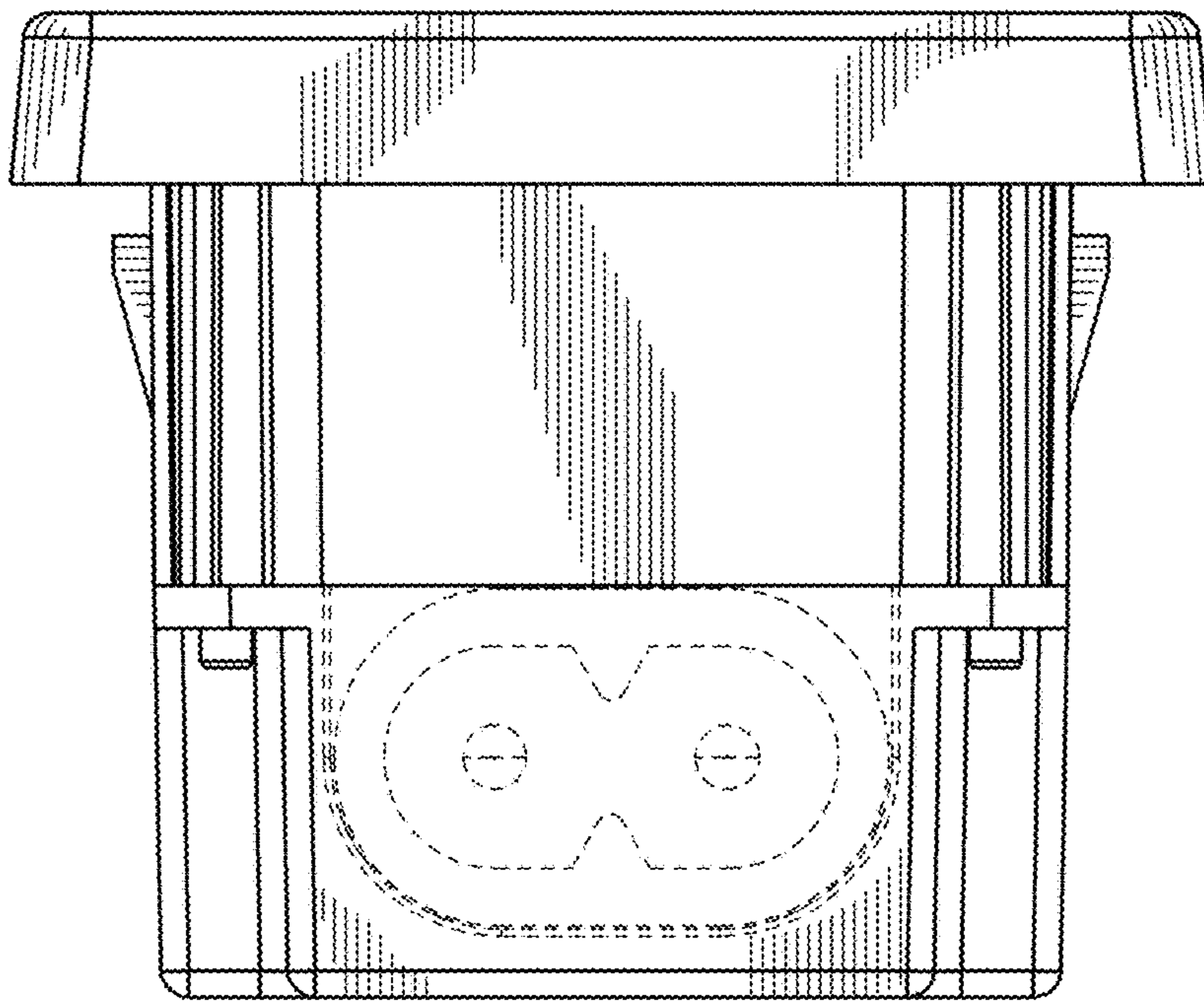


Fig. 6