



US00D826157S

(12) **United States Design Patent** (10) **Patent No.:** **US D826,157 S**  
**Stone** (45) **Date of Patent:** **\*\* Aug. 21, 2018**

- (54) **COMBINED AUDIO JACK AND PLUG**
- (71) Applicant: **Futurewei Technologies, Inc.**, Plano, TX (US)
- (72) Inventor: **John David Stone**, Carlsbad, CA (US)
- (73) Assignee: **Futurewei Technologies, Inc.**, Plano, TX (US)
- (\*\*) Term: **15 Years**
- (21) Appl. No.: **29/548,780**
- (22) Filed: **Dec. 16, 2015**
- (51) **LOC (11) Cl.** ..... **13-03**
- (52) **U.S. Cl.**  
USPC ..... **D13/133; D13/147**
- (58) **Field of Classification Search**  
USPC ..... D13/101, 110, 118, 120, 123, 133, 134, D13/146-149, 152, 153, 154, 173, 175, D13/177, 178, 184, 199  
CPC . H01R 4/028; H01R 4/24; H01R 4/48; H01R 9/24; H01R 12/00; H01R 12/79; H01R 13/00; H01R 13/02; H01R 13/11; H01R 13/40; H01R 13/533; H01R 24/00; H01R 24/04; H01R 24/20; H01R 24/28  
See application file for complete search history.

2010/0311281 A1\* 12/2010 Prest ..... H01R 13/035  
439/676  
2011/0009008 A1 1/2011 Wang  
2013/0089291 A1 4/2013 Jol et al.  
(Continued)

**FOREIGN PATENT DOCUMENTS**

WO WO-03/084004 A1 10/2003  
WO WO-2011/150402 A9 12/2011

*Primary Examiner* — Thomas Johannes  
*Assistant Examiner* — Shawn T Gingrich  
(74) *Attorney, Agent, or Firm* — Schwegman Lundberg & Woessner, P.A.

(57) **CLAIM**

The ornamental design for a combined audio jack and plug, shown and described.

**DESCRIPTION**

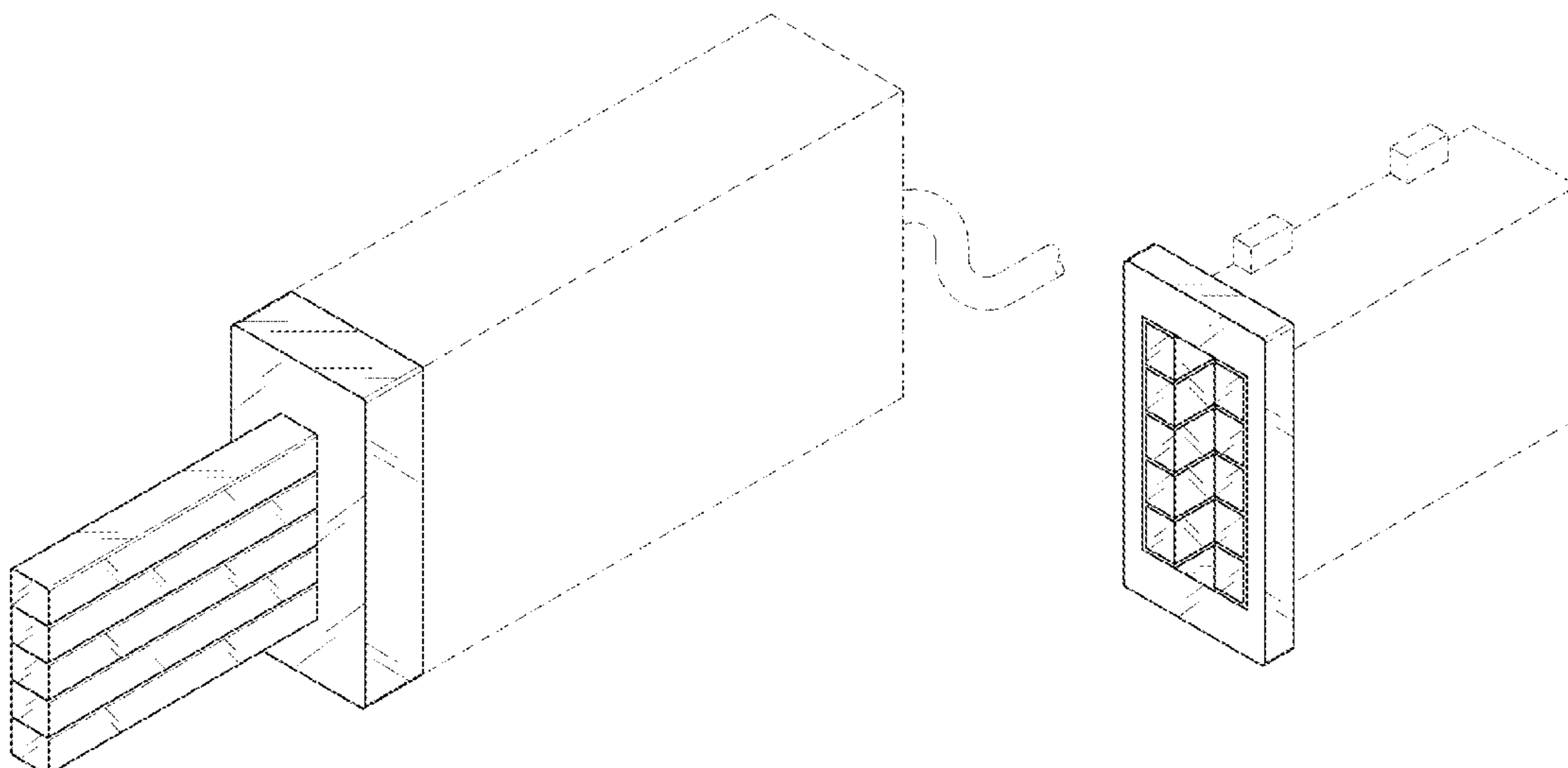
FIG. 1 is a top-right-front isometric view of an audio jack, showing new design.  
FIG. 2 is a front elevation view of the audio jack.  
FIG. 3 is a back elevation view of the audio jack with broken line details removed for ease of illustration.  
FIG. 4 is a left side elevation view of the audio jack.  
FIG. 5 is a right side elevation view of the audio jack.  
FIG. 6 is a top plan view of the audio jack.  
FIG. 7 is a bottom plan view of the audio jack.  
FIG. 8 is a top-right-front isometric view of an audio plug, showing our new design.  
FIG. 9 is a front elevation view of the audio plug.  
FIG. 10 is a back elevation view of the audio plug with broken line details removed for ease of illustration.  
FIG. 11 is a left side elevation view of the audio plug.  
FIG. 12 is a right side elevation view of the audio plug.  
FIG. 13 is a top plan view of the audio plug; and,  
FIG. 14 is a bottom plan view of the audio plug.  
The broken line portion of the figure drawings is included to show portions of the article that form no part of the claimed design.

(56) **References Cited**

**U.S. PATENT DOCUMENTS**

6,211,649	B1	4/2001	Matsuda	
D522,453	S *	6/2006	Miller	D13/120
7,887,375	B1 *	2/2011	Huang	H01R 13/2442 439/668
8,517,751	B1	8/2013	Golko et al.	
D796,280	S *	9/2017	Godoy	D8/21
9,793,641	B1 *	10/2017	Eiden	H01R 13/453
2004/0175993	A1	9/2004	Chennakeshu	
2006/0166539	A1	7/2006	Corey et al.	

**1 Claim, 5 Drawing Sheets**



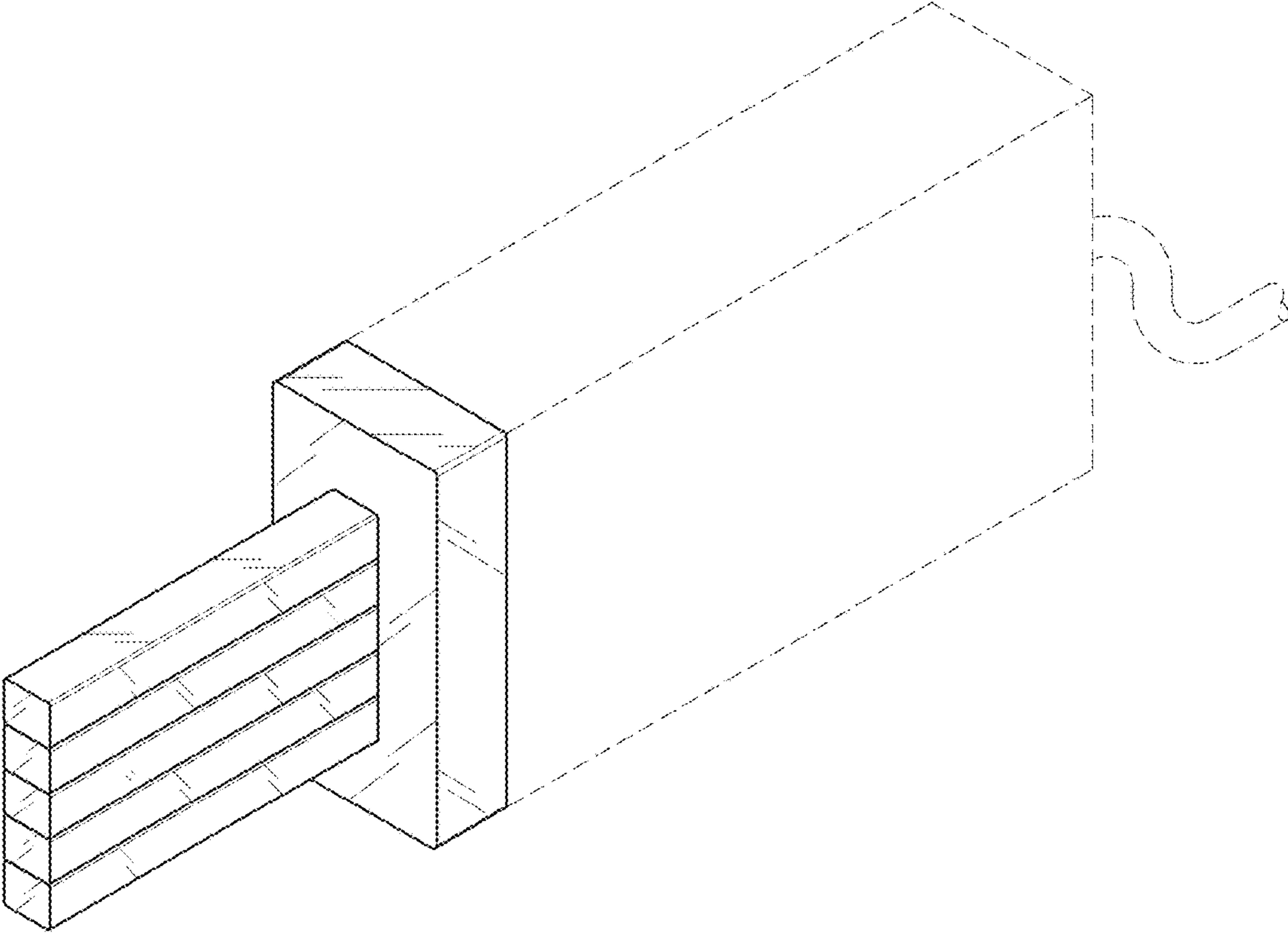
(56)

**References Cited**

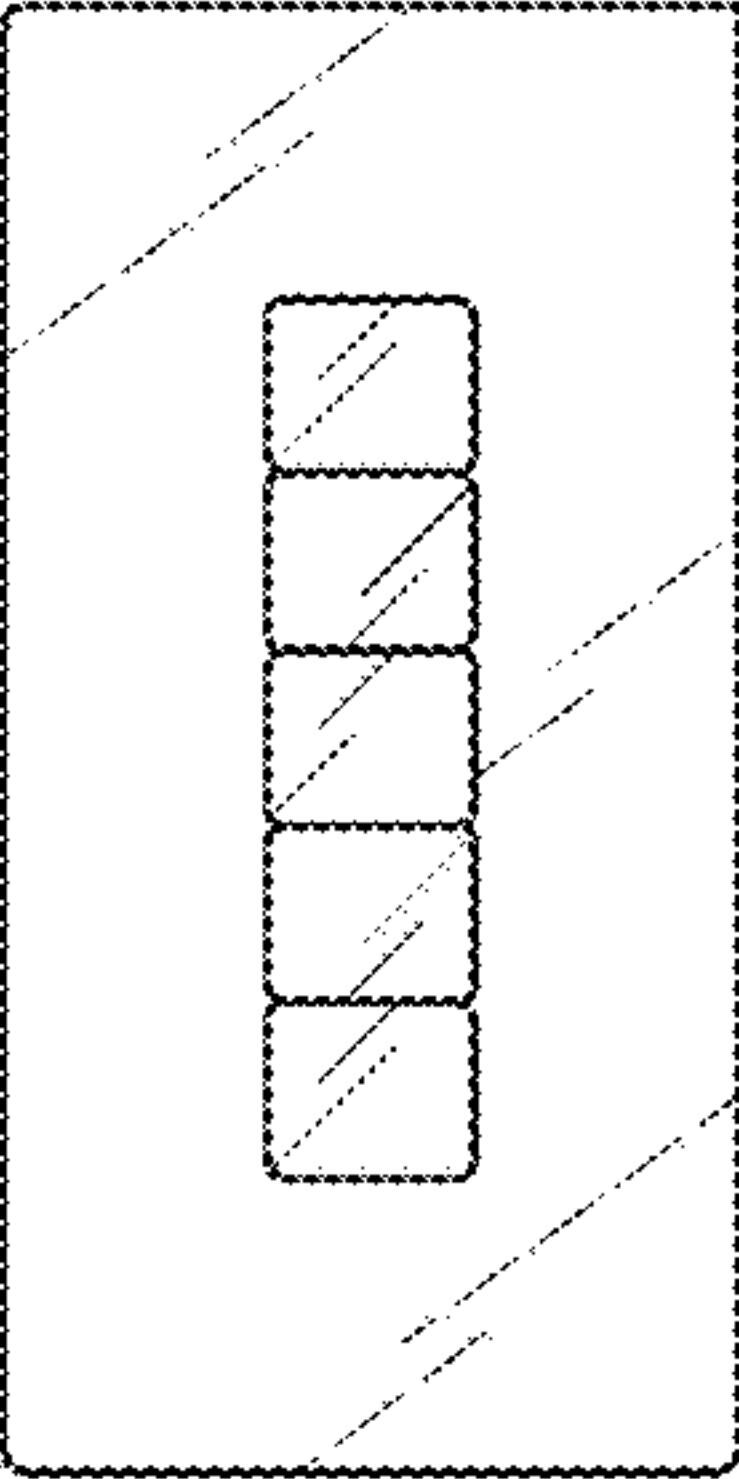
U.S. PATENT DOCUMENTS

2014/0093116 A1\* 4/2014 Liu ..... H01R 24/58  
381/384

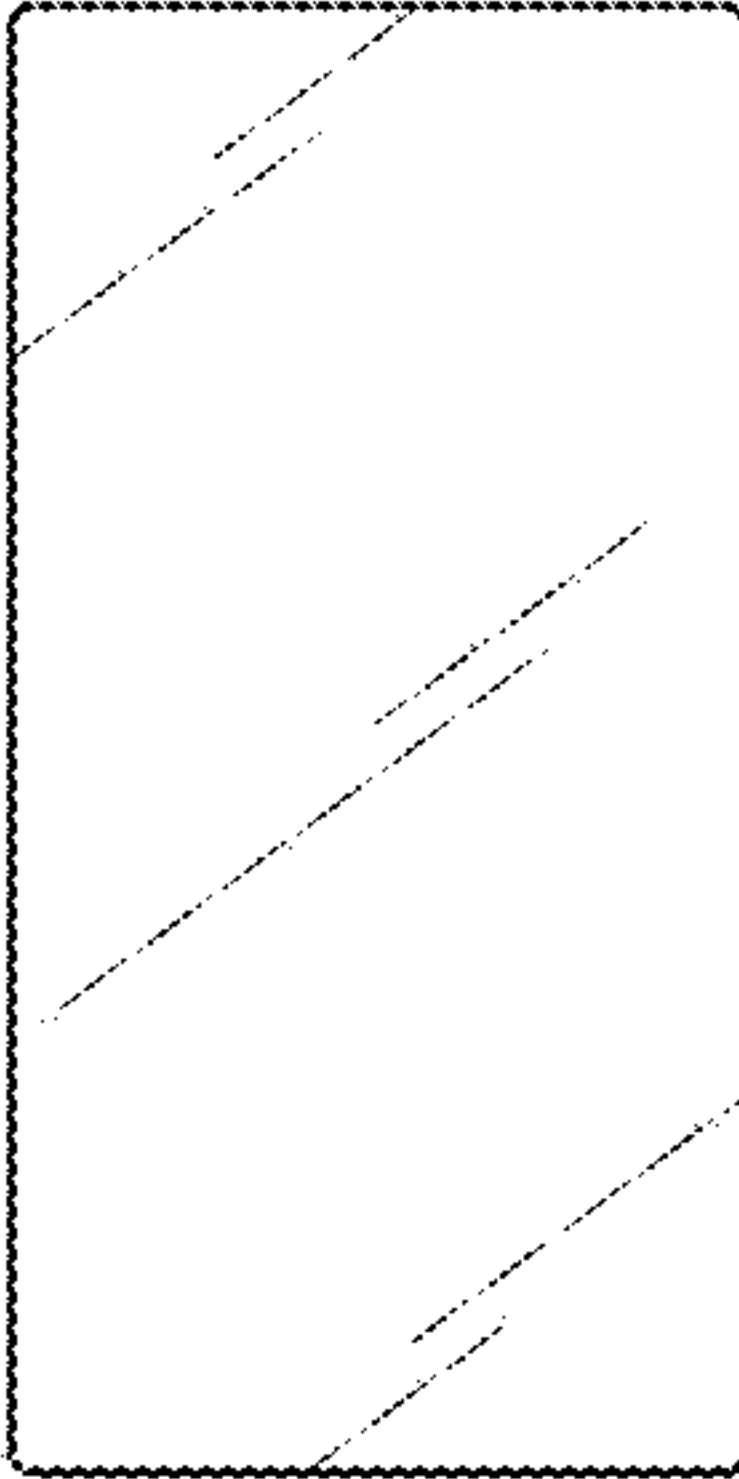
\* cited by examiner



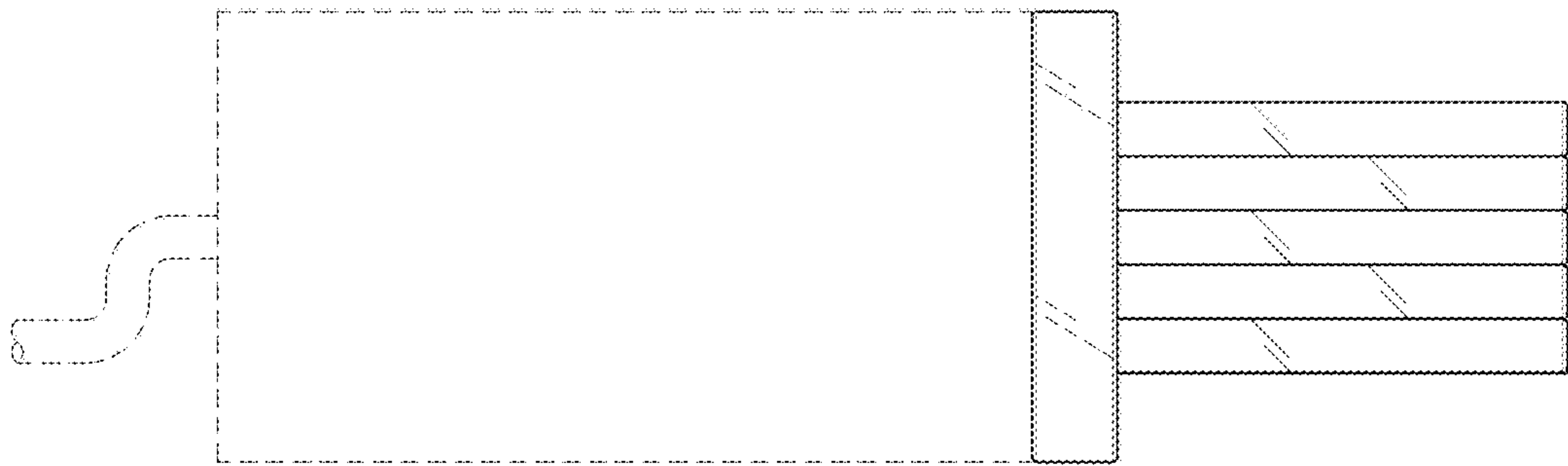
*FIG. 1*



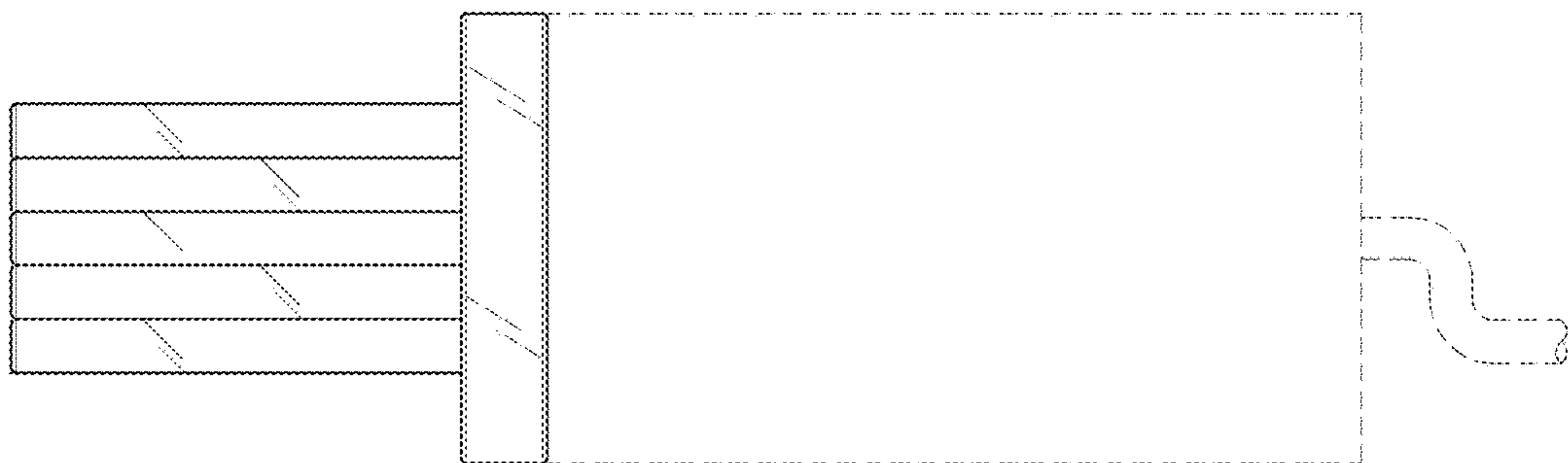
*FIG. 2*



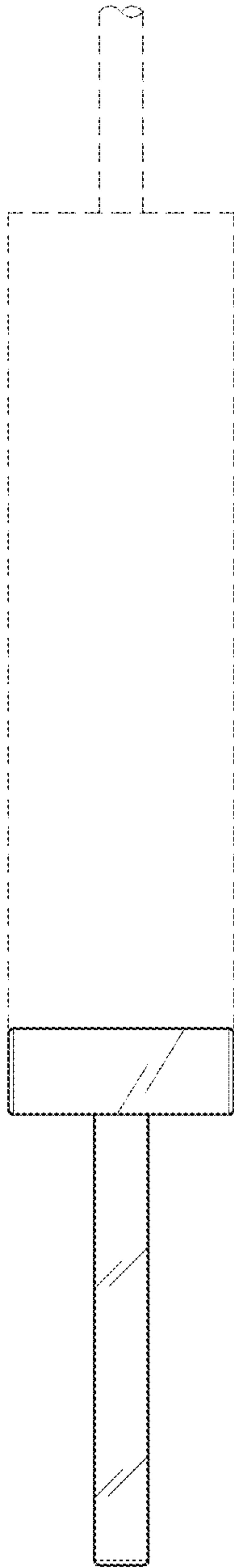
*FIG. 3*



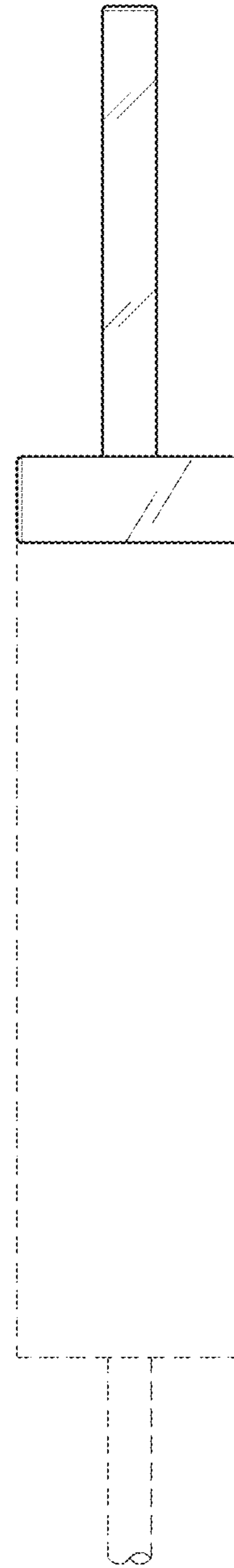
*FIG. 4*



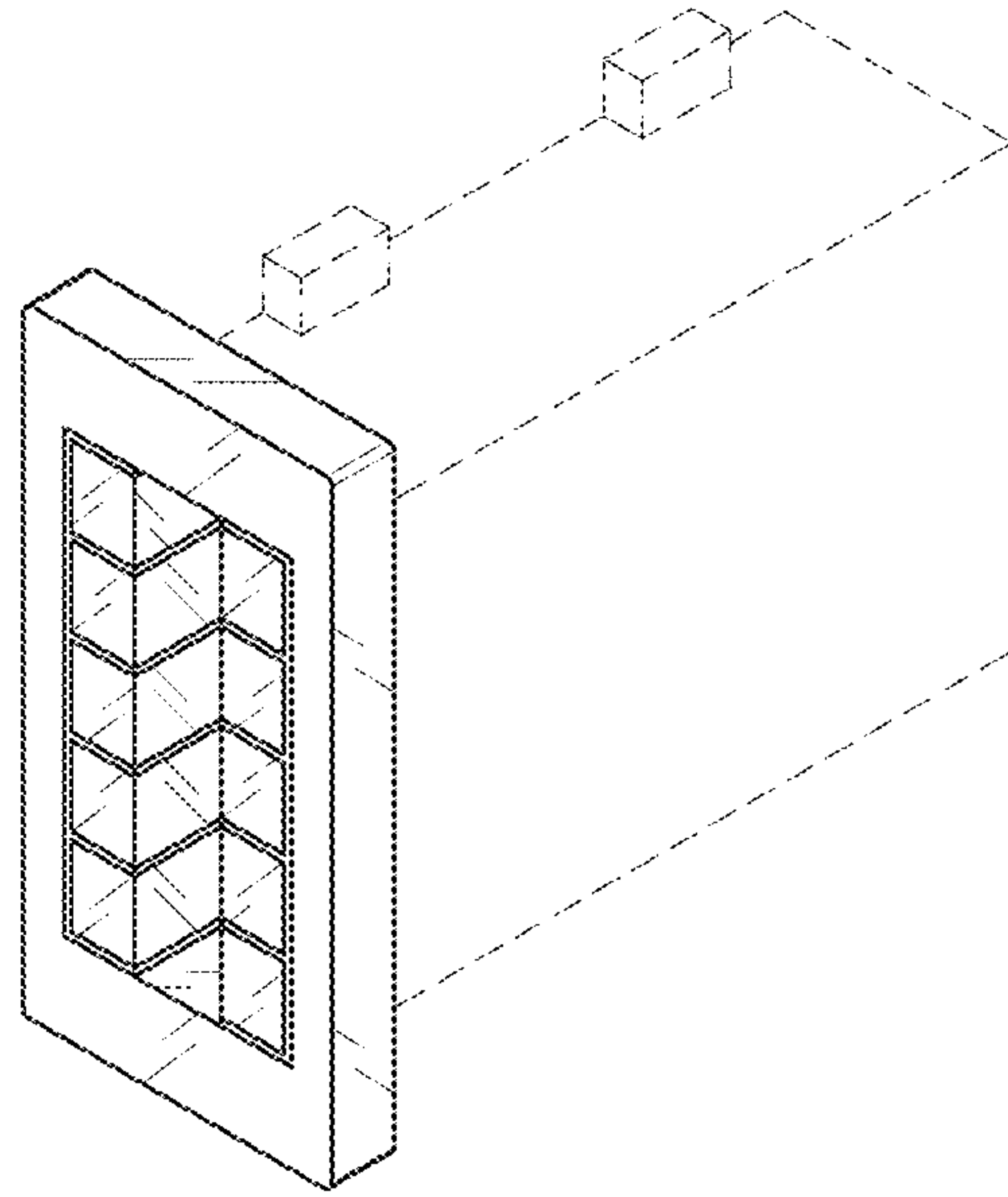
*FIG. 5*



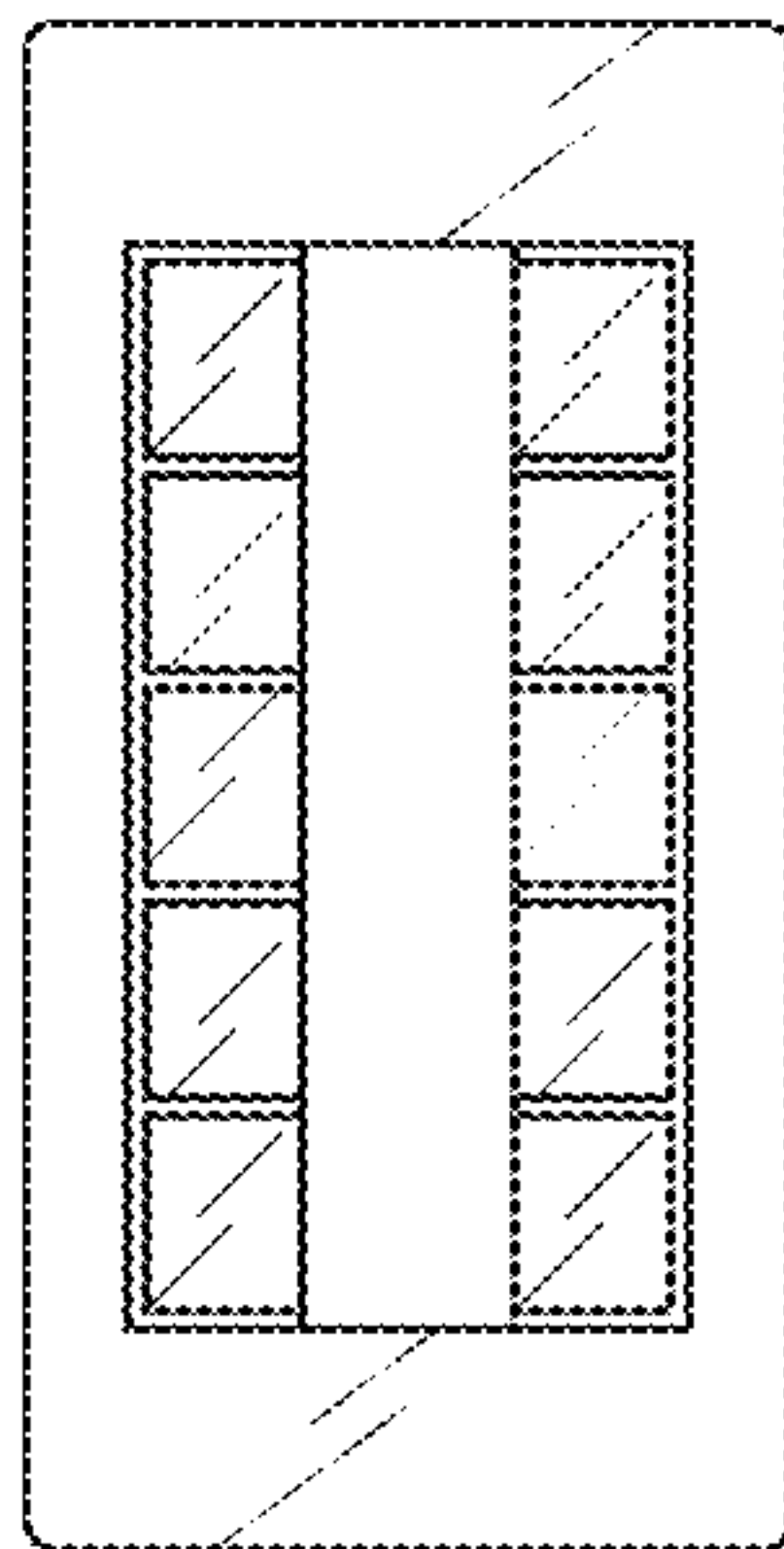
*FIG. 6*



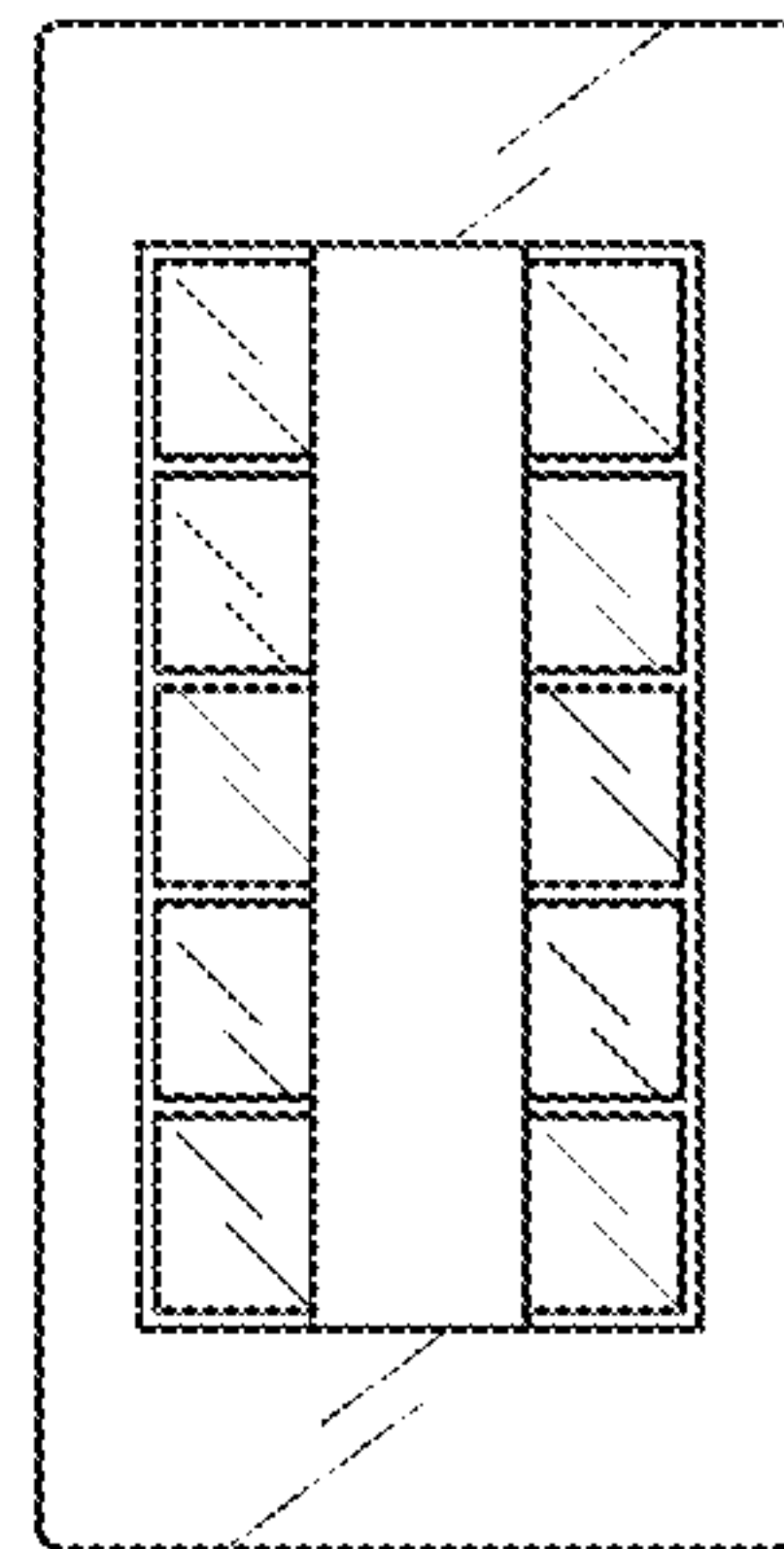
*FIG. 7*



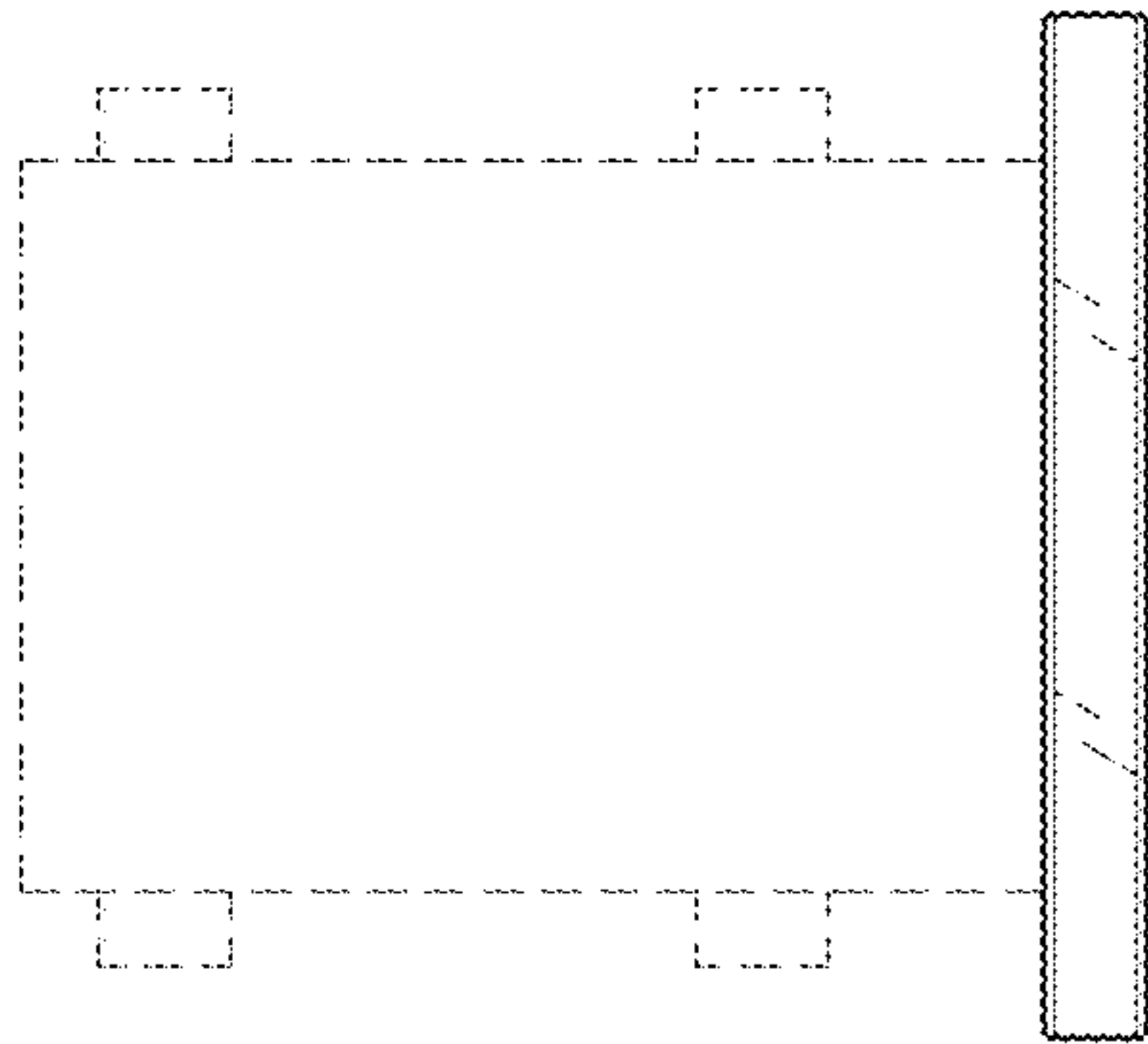
*FIG. 8*



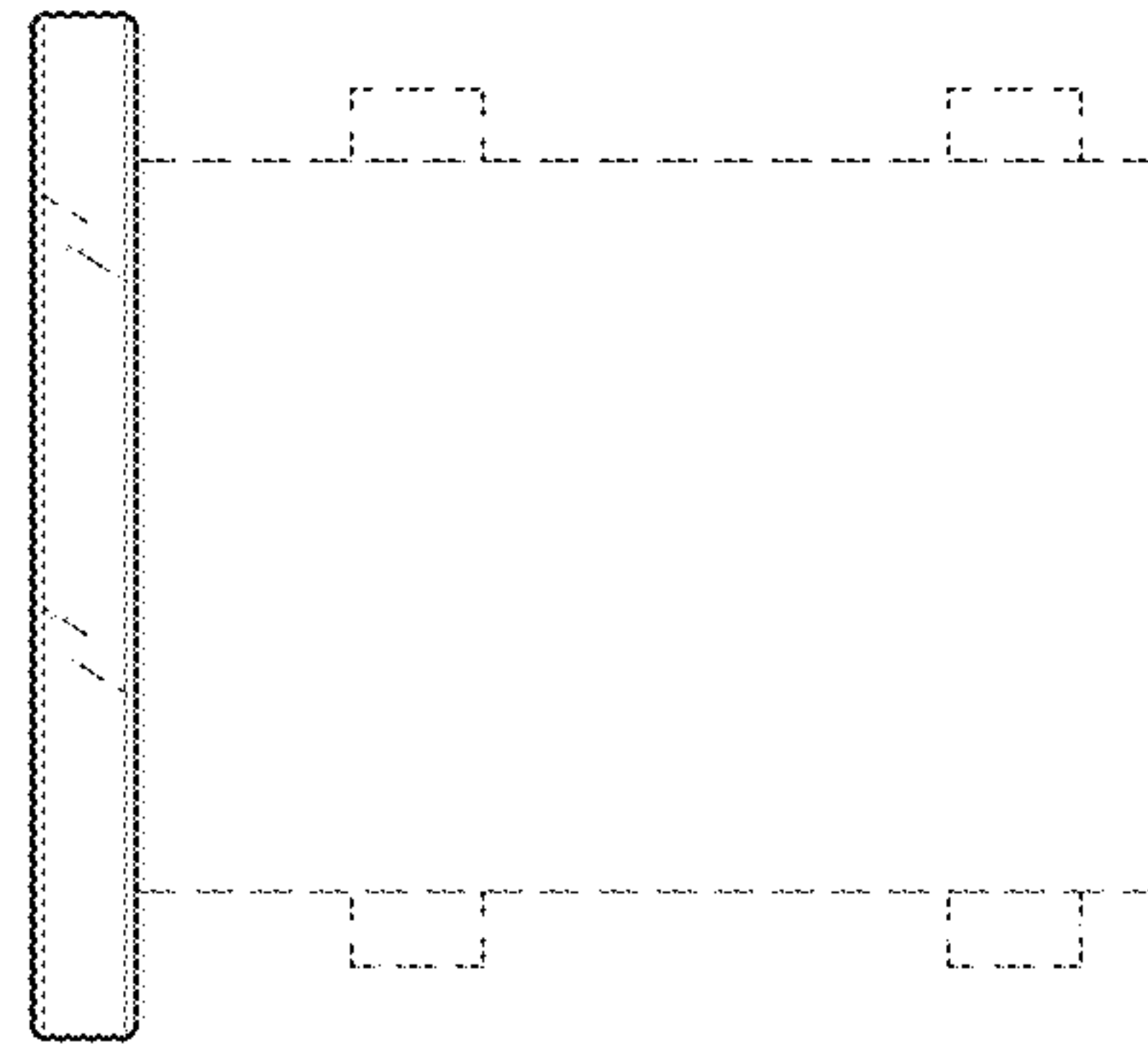
*FIG. 9*



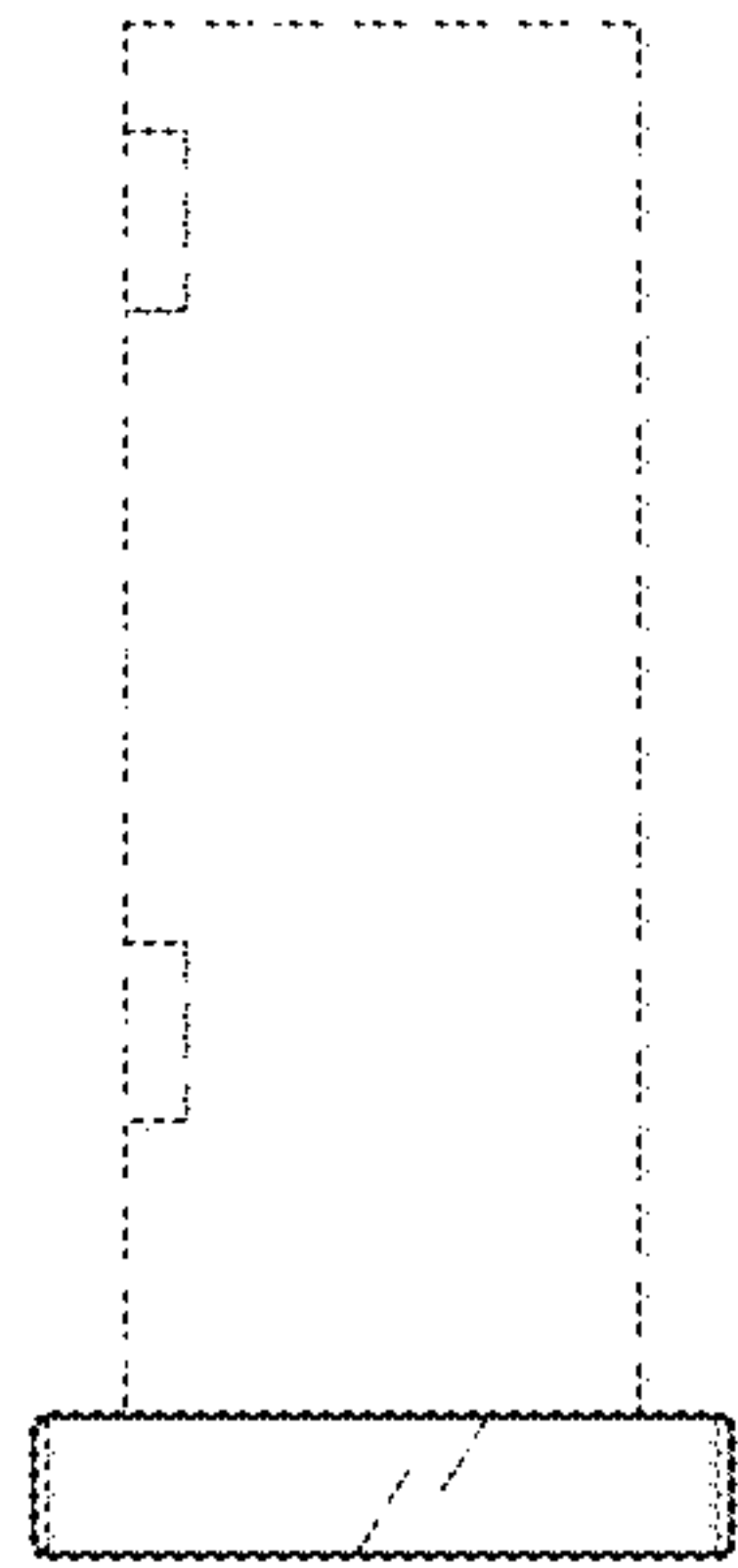
*FIG. 10*



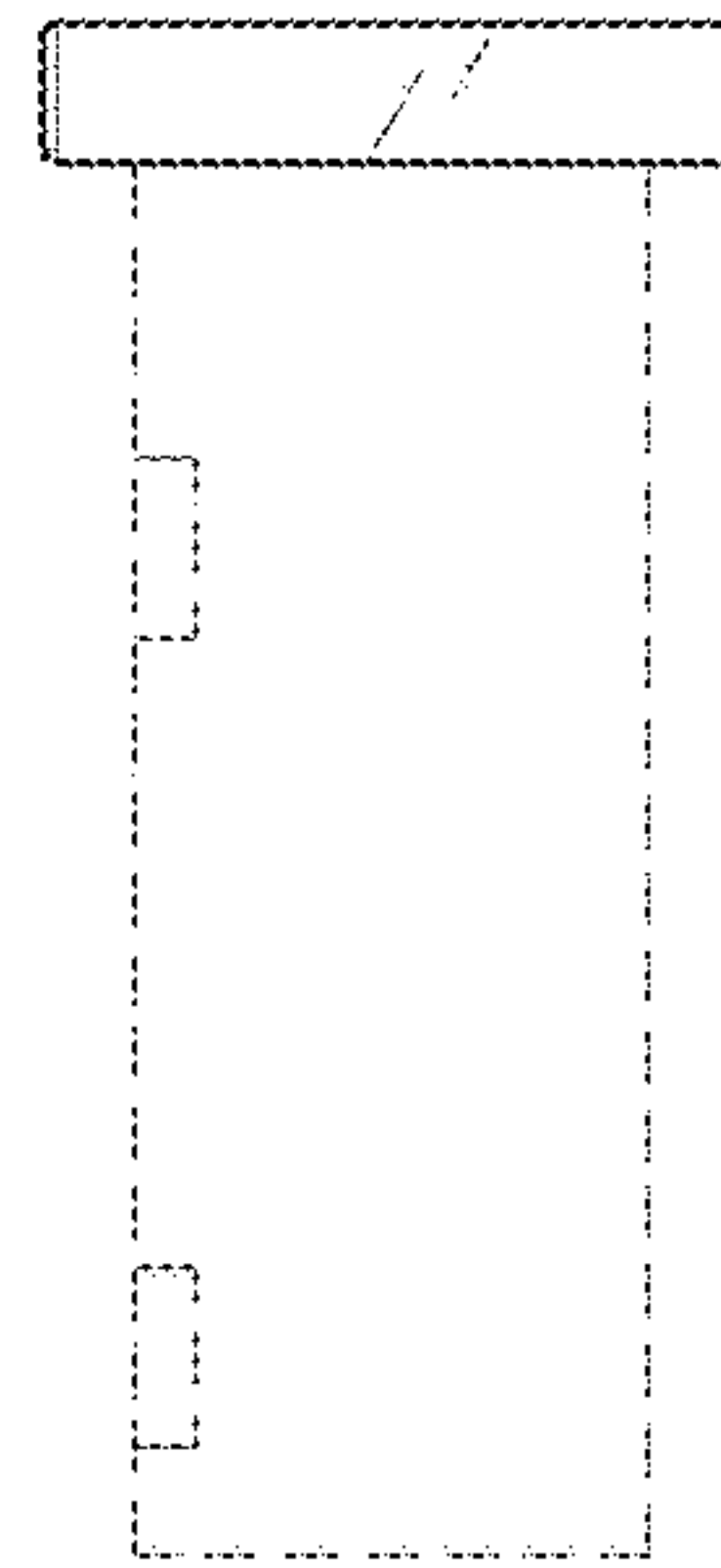
*FIG. 11*



*FIG. 12*



*FIG. 13*



*FIG. 14*



UNITED STATES PATENT AND TRADEMARK OFFICE  
**CERTIFICATE OF CORRECTION**

PATENT NO. : D826,157 S  
APPLICATION NO. : 29/548780  
DATED : August 21, 2018  
INVENTOR(S) : John David Stone

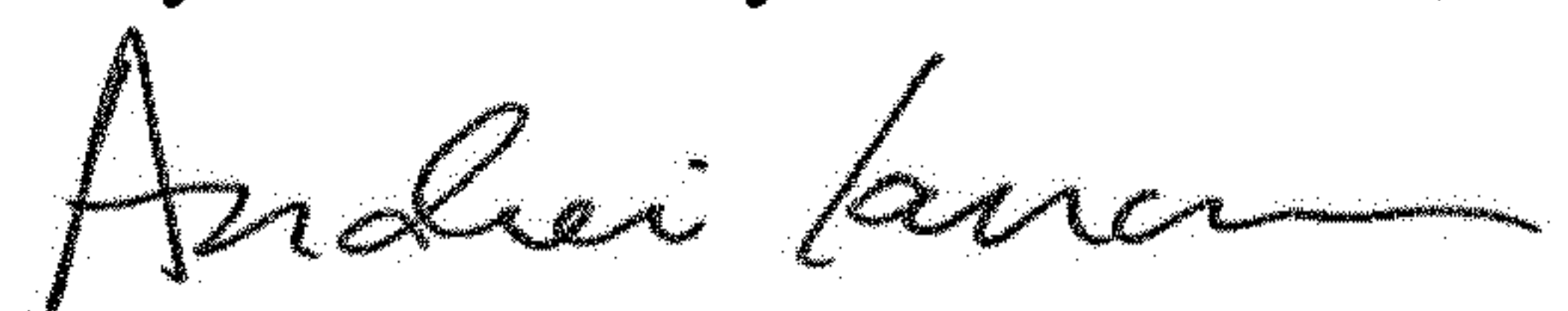
Page 1 of 1

It is certified that error appears in the above-identified patent and that said Letters Patent is hereby corrected as shown below:

On the Title Page

Item (57), Column 2, under "Description", Line 2, after "showing", insert --our--

Signed and Sealed this  
Twenty-second Day of December, 2020



Andrei Iancu  
*Director of the United States Patent and Trademark Office*