



US00D826156S

(12) **United States Design Patent**  
**Kamenšek et al.**

(10) **Patent No.:** **US D826,156 S**  
(45) **Date of Patent:** **\*\* Aug. 21, 2018**

(54) **DIN RAIL MODULE**

(71) Applicant: **Iskra Zaščite d.o.o.**, Ljubljana (SI)

(72) Inventors: **Sebastjan Kamenšek**, Škofja Loka (SI); **Milenko Vukotić**, Ljubljana (SI); **Igor Juričev**, Izola (SI); **Jure Vrhunc**, Ljubljana (SI); **Tadej Knez**, Grosuplje (SI)

(73) Assignee: **Iskra Zascite D.O.O.**, Ljubljana (SK)

(\*\*) Term: **15 Years**

(21) Appl. No.: **29/561,983**

(22) Filed: **Apr. 21, 2016**

(51) **LOC (11) Cl.** ..... **13-03**

(52) **U.S. Cl.**  
USPC ..... **D13/123**

(58) **Field of Classification Search**  
USPC ..... D13/123–128, 146, 147, 151, 159, 184, D13/199

(Continued)

(56) **References Cited**

**U.S. PATENT DOCUMENTS**

D570,801 S \* 6/2008 Allen ..... D10/103  
D684,539 S \* 6/2013 Akana ..... D13/147

(Continued)

**FOREIGN PATENT DOCUMENTS**

DE 103 49 660 A1 6/2005  
DE 10 2006 003 274 A1 1/2008

(Continued)

**OTHER PUBLICATIONS**

Camden Boss. <URL: [http://camdenboss.com/media/category/files/vertical\\_box\\_for\\_din\\_rail.pdf](http://camdenboss.com/media/category/files/vertical_box_for_din_rail.pdf)> Feb. 23, 2017. Din rail box.\*

(Continued)

*Primary Examiner* — Thomas Johannes

*Assistant Examiner* — Lauren McVey

(74) *Attorney, Agent, or Firm* — Myers Bigel, P.A.

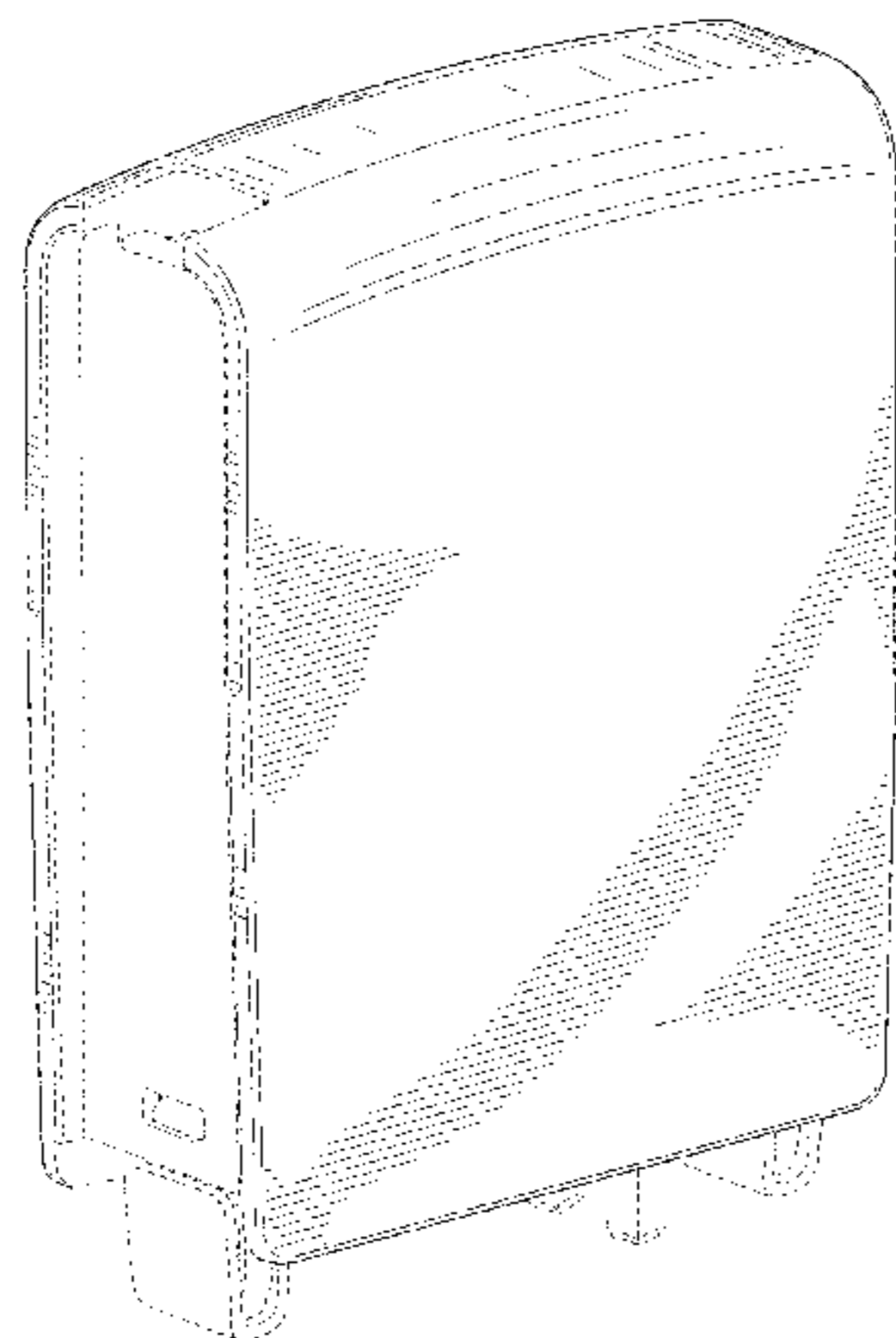
(57) **CLAIM**

The ornamental design for a DIN rail module, as shown and described.

**DESCRIPTION**

FIG. 1 is a side perspective view of a first embodiment of a DIN rail module showing our new design; FIG. 2 is an opposite side perspective view thereof; FIG. 3 is a side view thereof; FIG. 4 is an opposite side view thereof; FIG. 5 is a bottom view thereof; FIG. 6 is a top view thereof; FIG. 7 is a front view thereof; FIG. 8 is a back view thereof; FIG. 9 is a perspective view thereof shown with environment; FIG. 10 is another perspective view thereof shown with environment; FIG. 11 is another perspective view thereof shown with environment; FIG. 12 is another perspective view thereof shown with environment; FIG. 13 is a side perspective view of a second embodiment of the DIN rail module showing our new design; FIG. 14 is an opposite side perspective view thereof; FIG. 15 is a side view thereof; FIG. 16 is an opposing side view thereof; FIG. 17 is a bottom view thereof; FIG. 18 is a top view thereof; FIG. 19 is a front view thereof; FIG. 20 is a back view thereof; FIG. 21 is a perspective view thereof shown with environment; FIG. 22 is another perspective view thereof shown with environment; FIG. 23 is another perspective view thereof shown with environment; and, FIG. 24 is another perspective view thereof shown with environment.

(Continued)



# US D826,156 S

Page 2

The short-long spaced broken lines immediately adjacent the shaded areas represent the bounds of the claimed design while all other broken lines are directed to environment and are for illustrative purposes only; the broken lines form no part of the claimed design.

## 1 Claim, 20 Drawing Sheets

### (58) Field of Classification Search

CPC ..... H02B 1/015; H02B 1/04; H02B 1/041;  
H02B 1/048; H02B 1/056

See application file for complete search history.

### (56) References Cited

#### U.S. PATENT DOCUMENTS

D697,029 S \* 1/2014 Chiu ..... D13/110  
D704,630 S \* 5/2014 Liu ..... D13/108  
8,865,339 B2 \* 10/2014 Enari ..... H01M 2/105  
429/156  
D716,731 S \* 11/2014 Johnson ..... D13/118

D721,646 S \* 1/2015 Kim ..... D13/103  
D756,916 S \* 5/2016 Yang ..... D13/108  
D762,178 S \* 7/2016 Liu ..... D13/147  
D764,415 S \* 8/2016 Qian ..... D13/147  
D765,031 S \* 8/2016 Mielnik ..... D13/123  
D768,586 S \* 10/2016 Christianson ..... D10/106.1  
D782,980 S \* 4/2017 Zhang ..... D13/147

#### FOREIGN PATENT DOCUMENTS

DE 20 2008 004 699 U1 6/2008  
DE 10 2008 021 210 A1 8/2009  
DE 10 2008 017 423 A1 10/2009  
DE 20 2006 021 210 U1 9/2013  
EP 2 784 885 A1 10/2014  
EP 2 919 338 A1 9/2015  
FR 822093-002 \* 7/1982  
WO WO 2008/009507 A1 1/2008

#### OTHER PUBLICATIONS

Extended European Search Report Corresponding to European Application No. 17158035.0; dated Aug. 17, 2017; 7 Pages.

\* cited by examiner

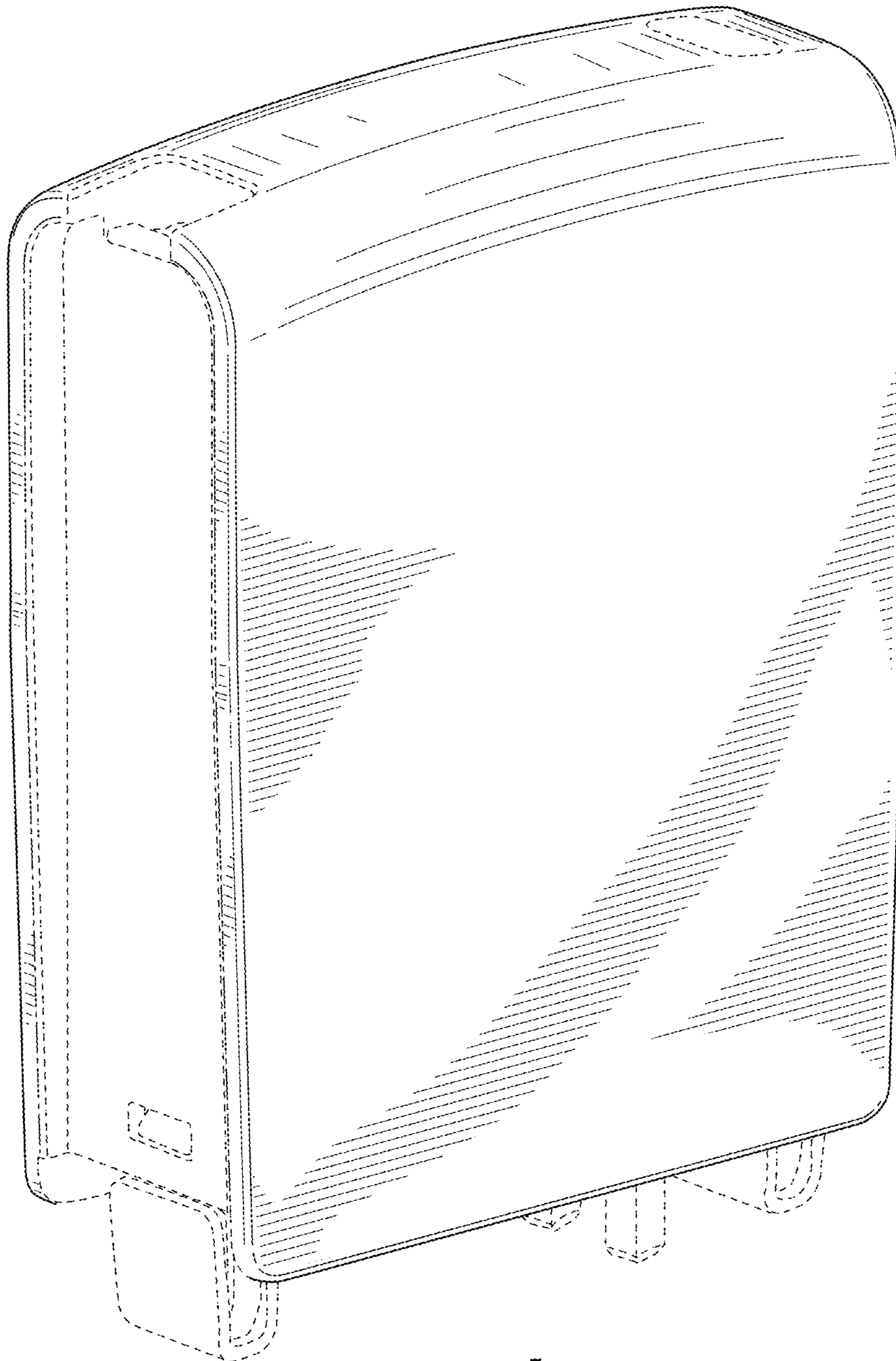


FIG. 1

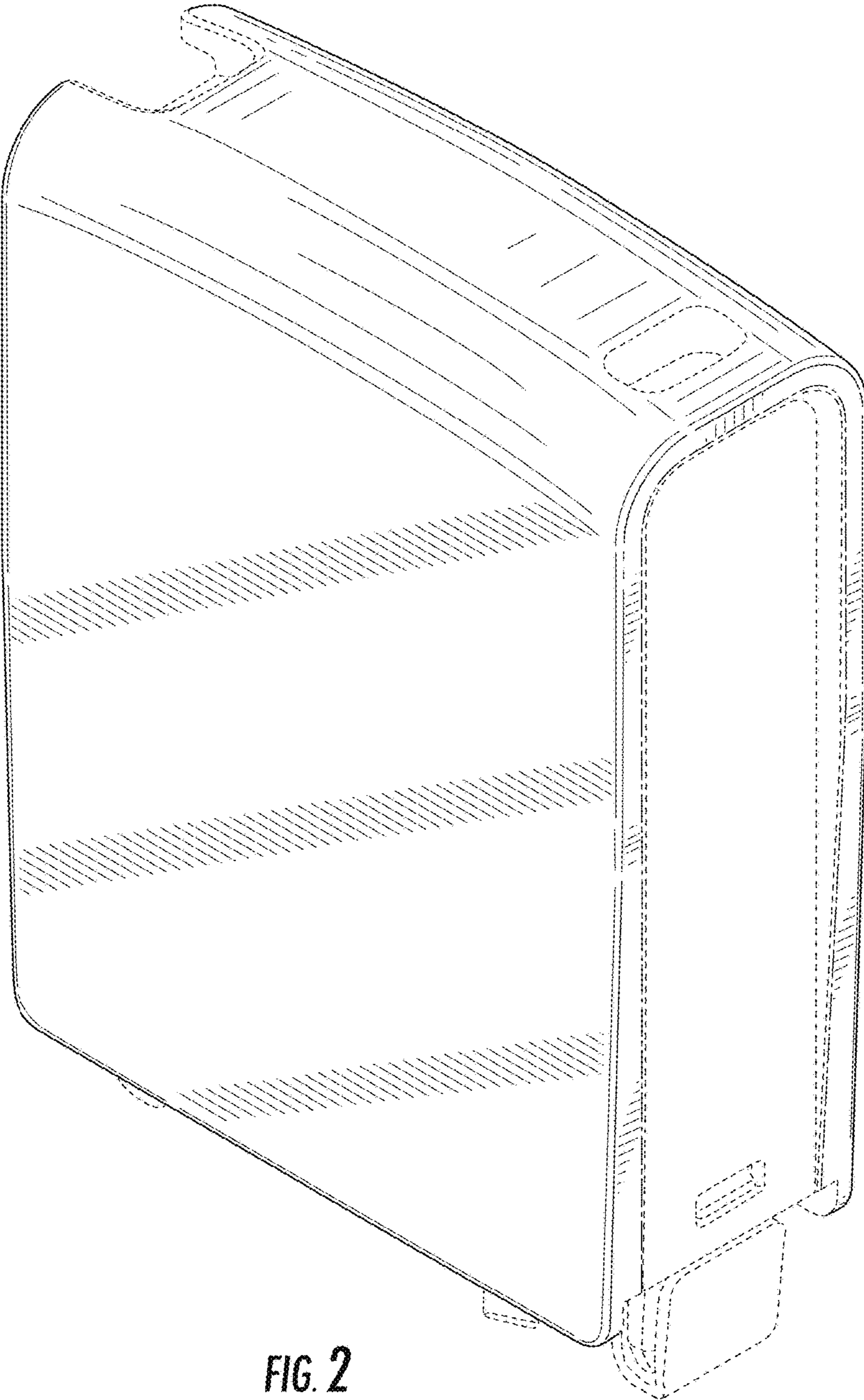


FIG. 2

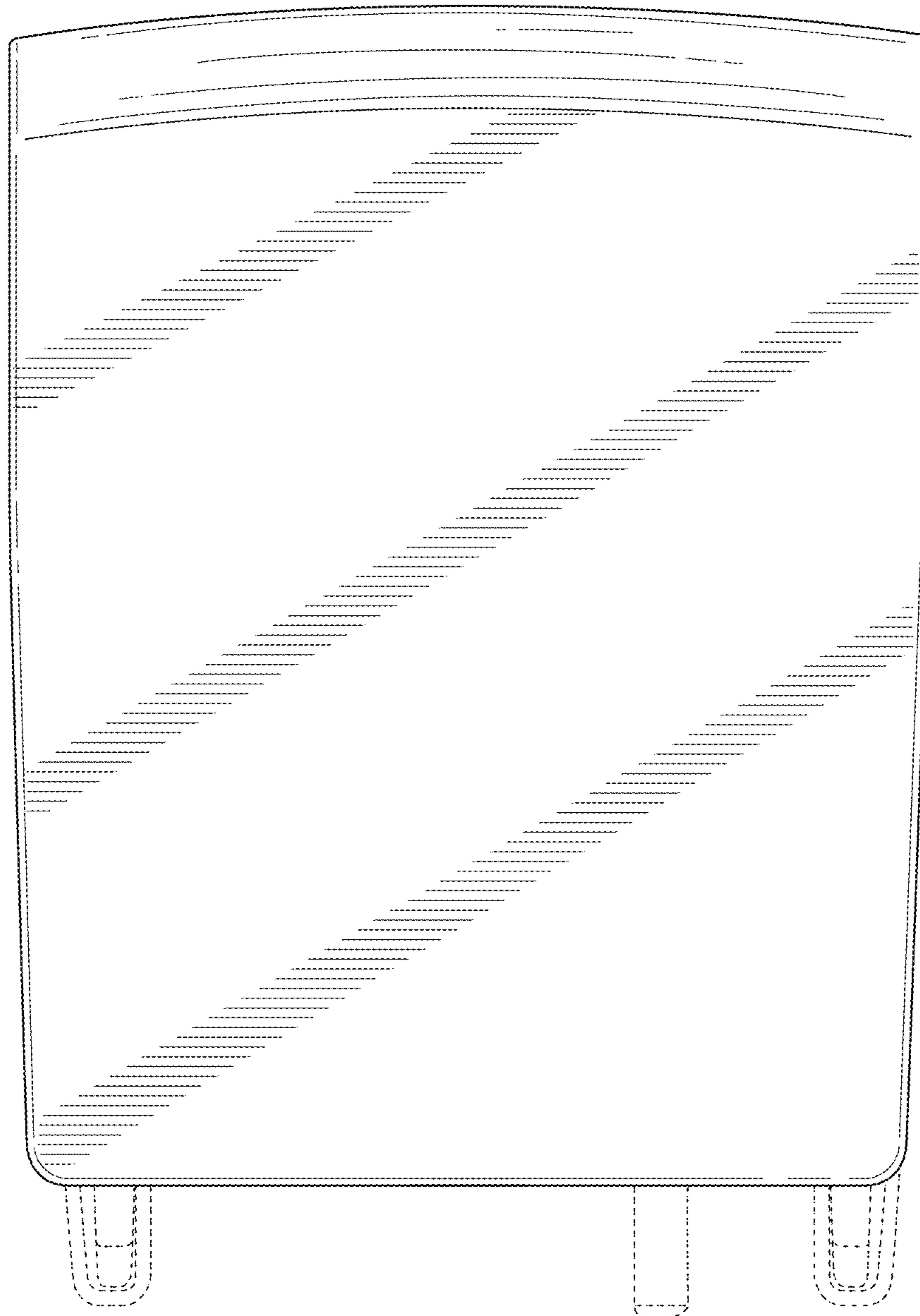


FIG. 3

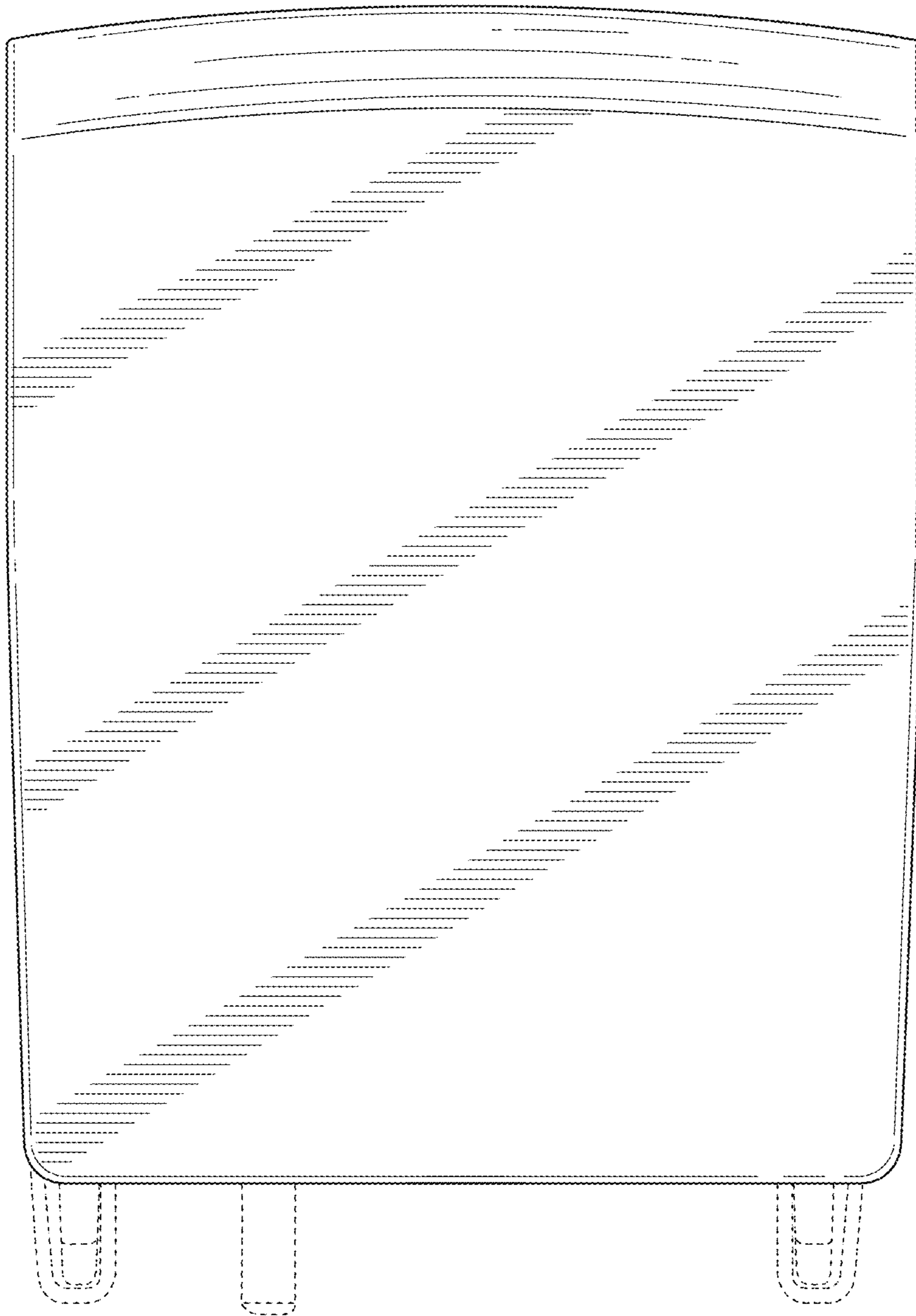


FIG. 4

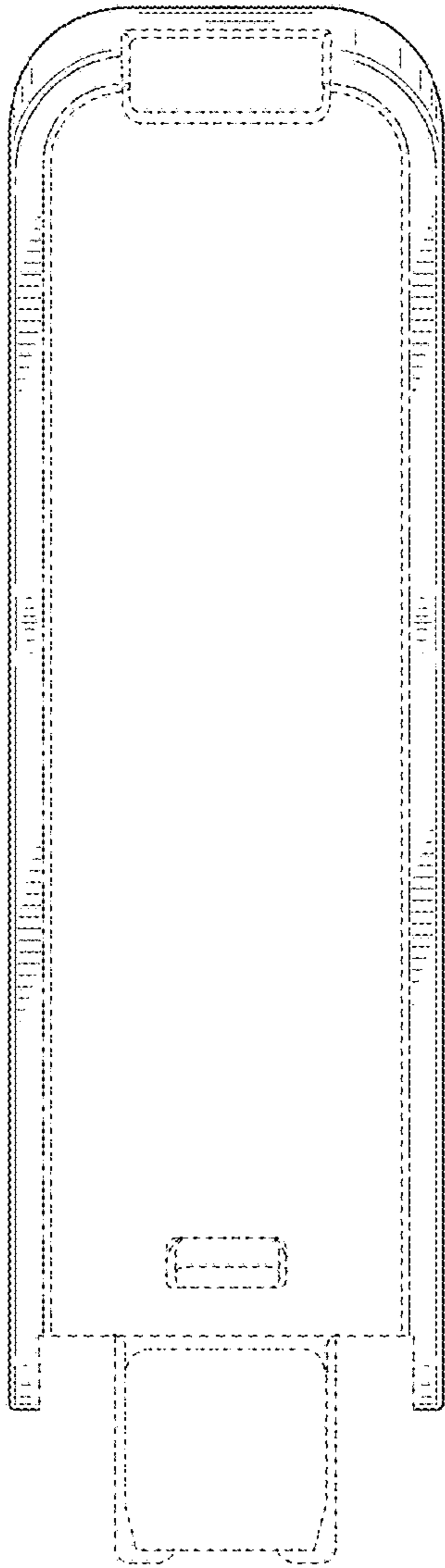


FIG. 5

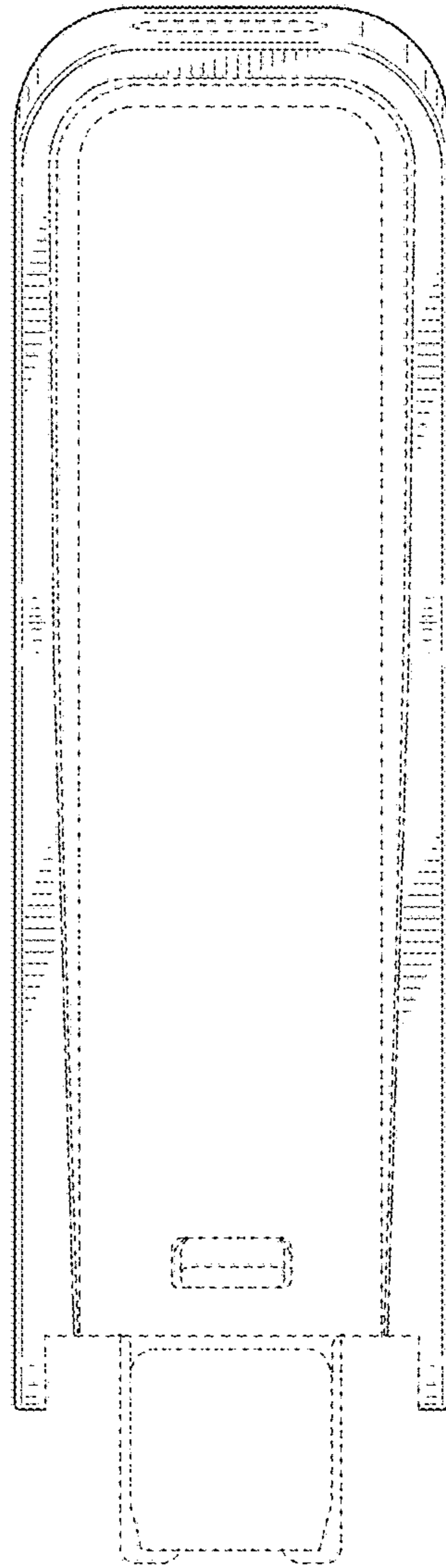


FIG. 6

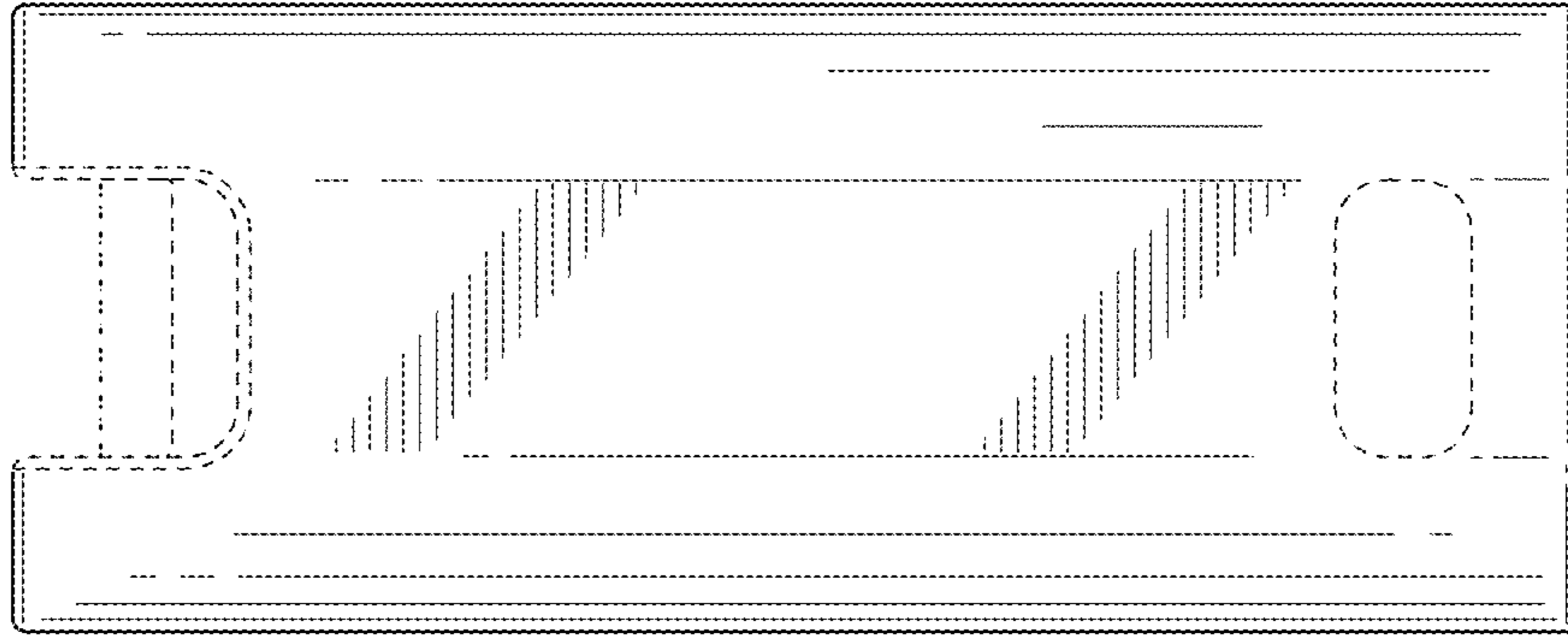


FIG. 7

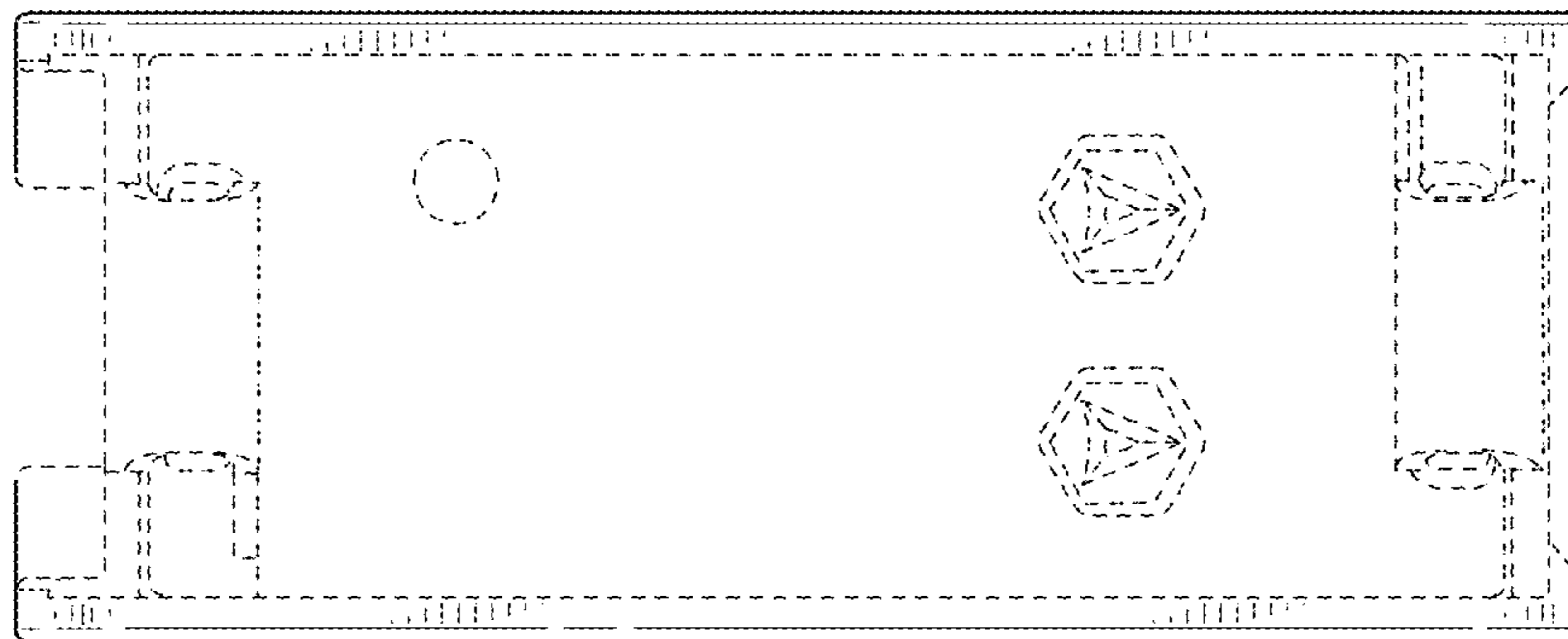
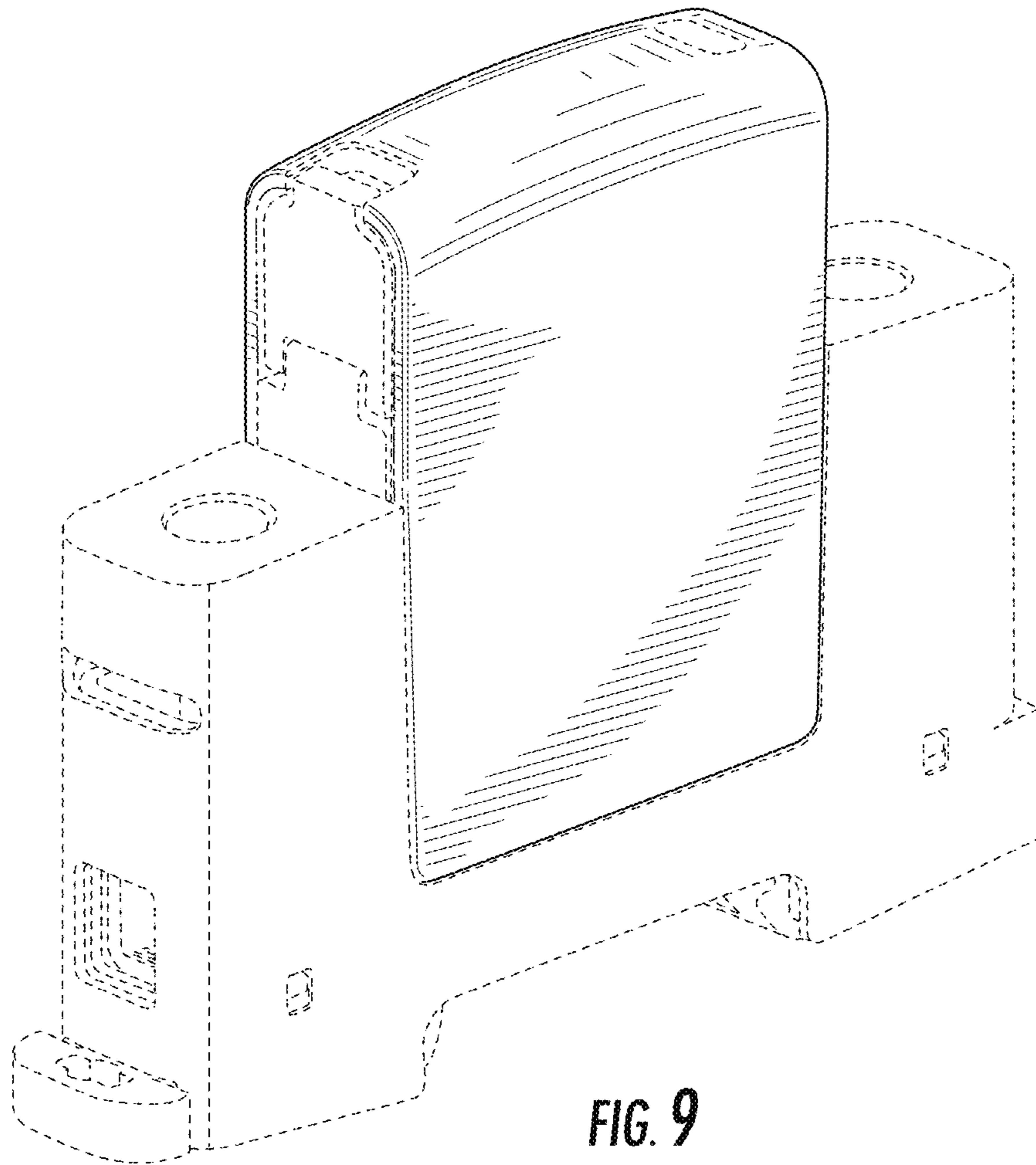


FIG. 8





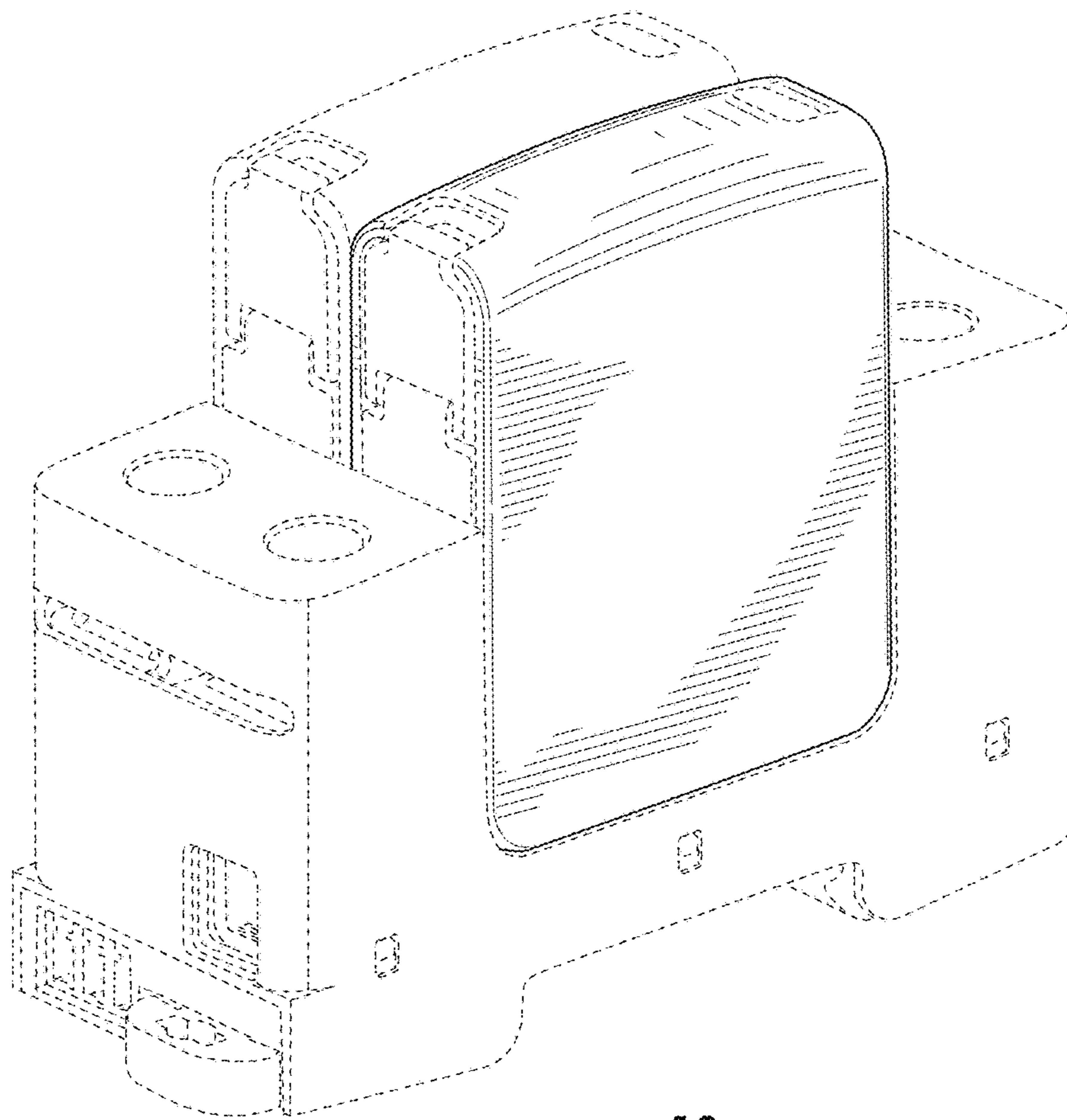


FIG. 10

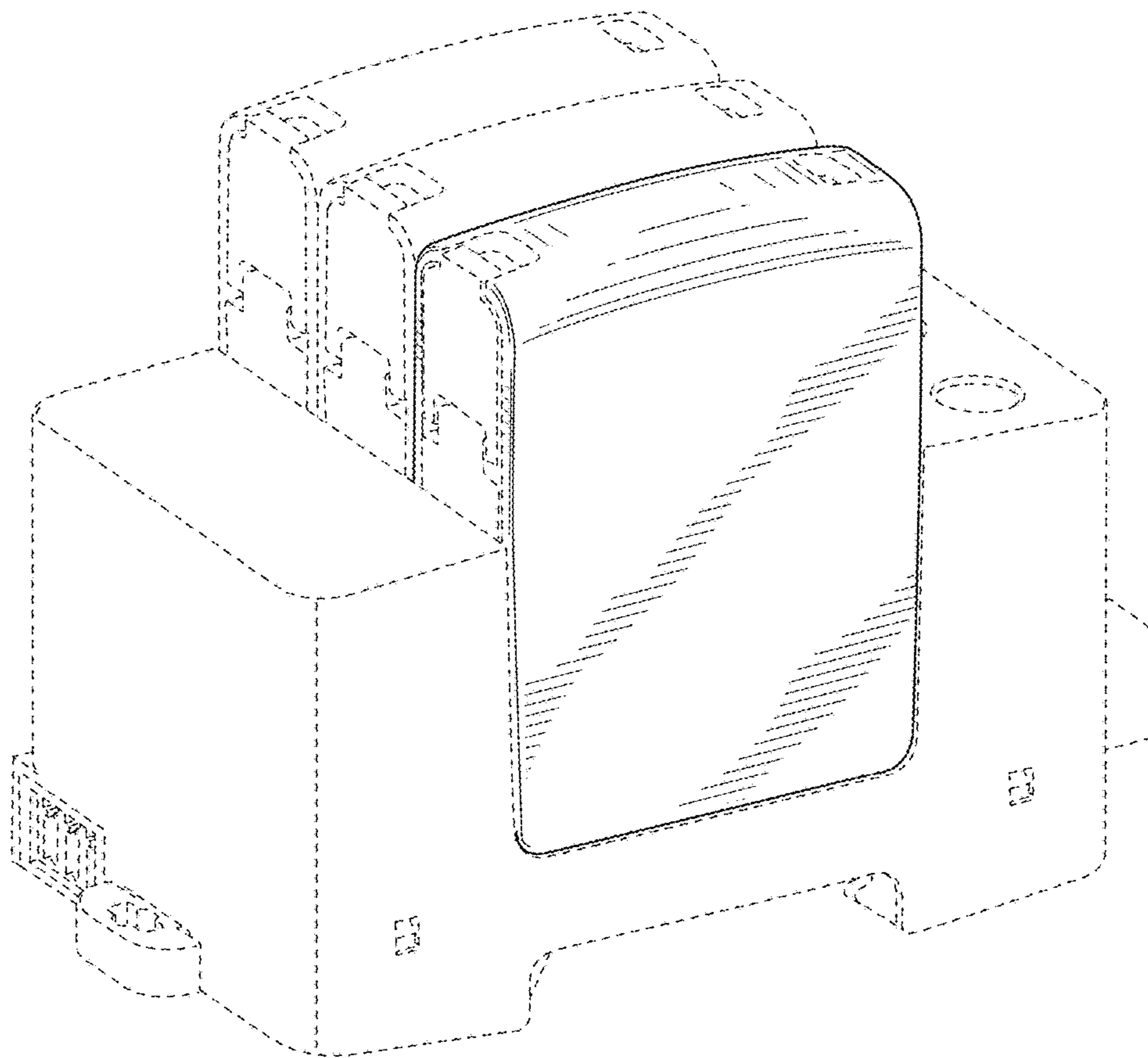


FIG. 11

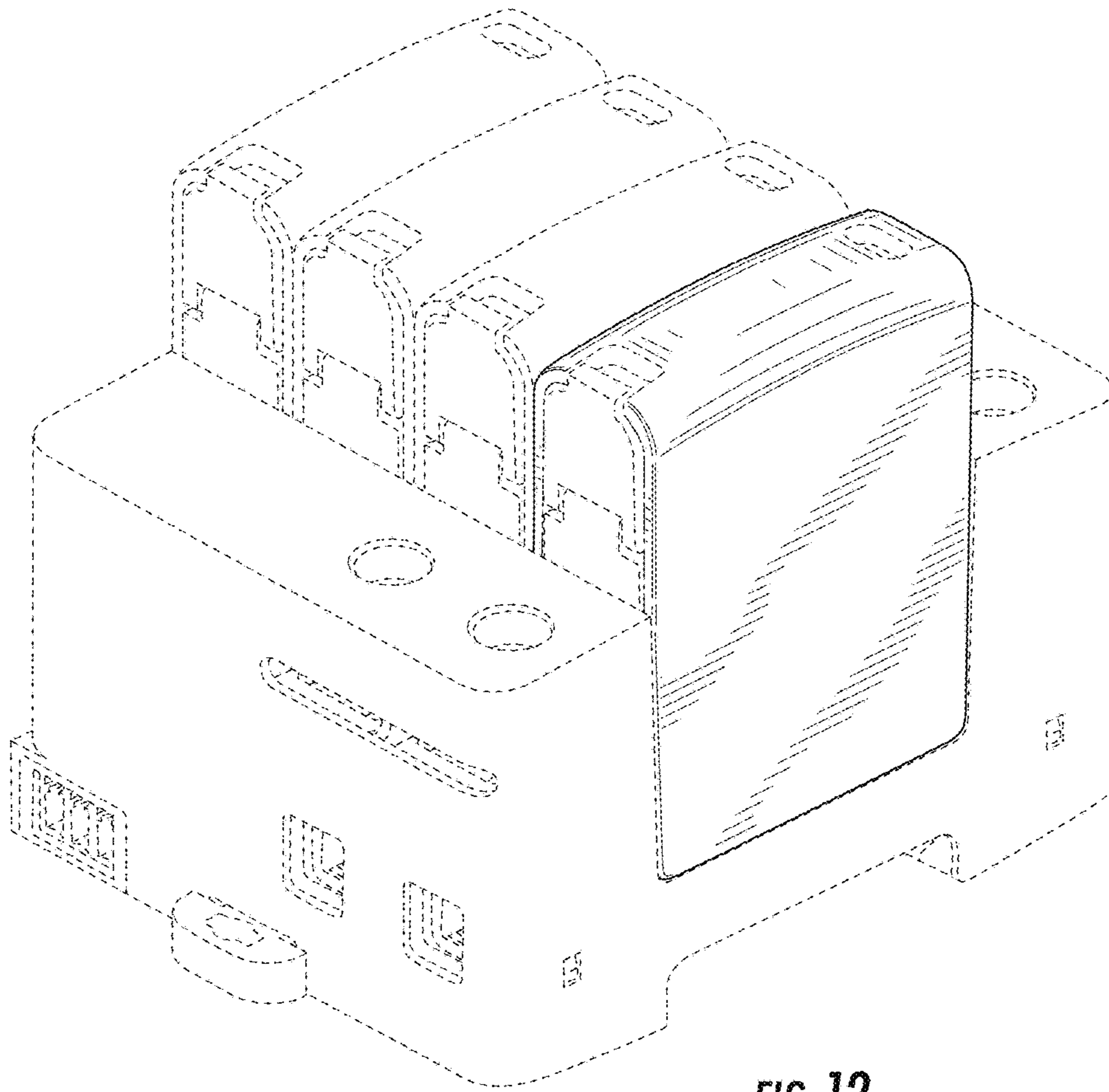


FIG. 12

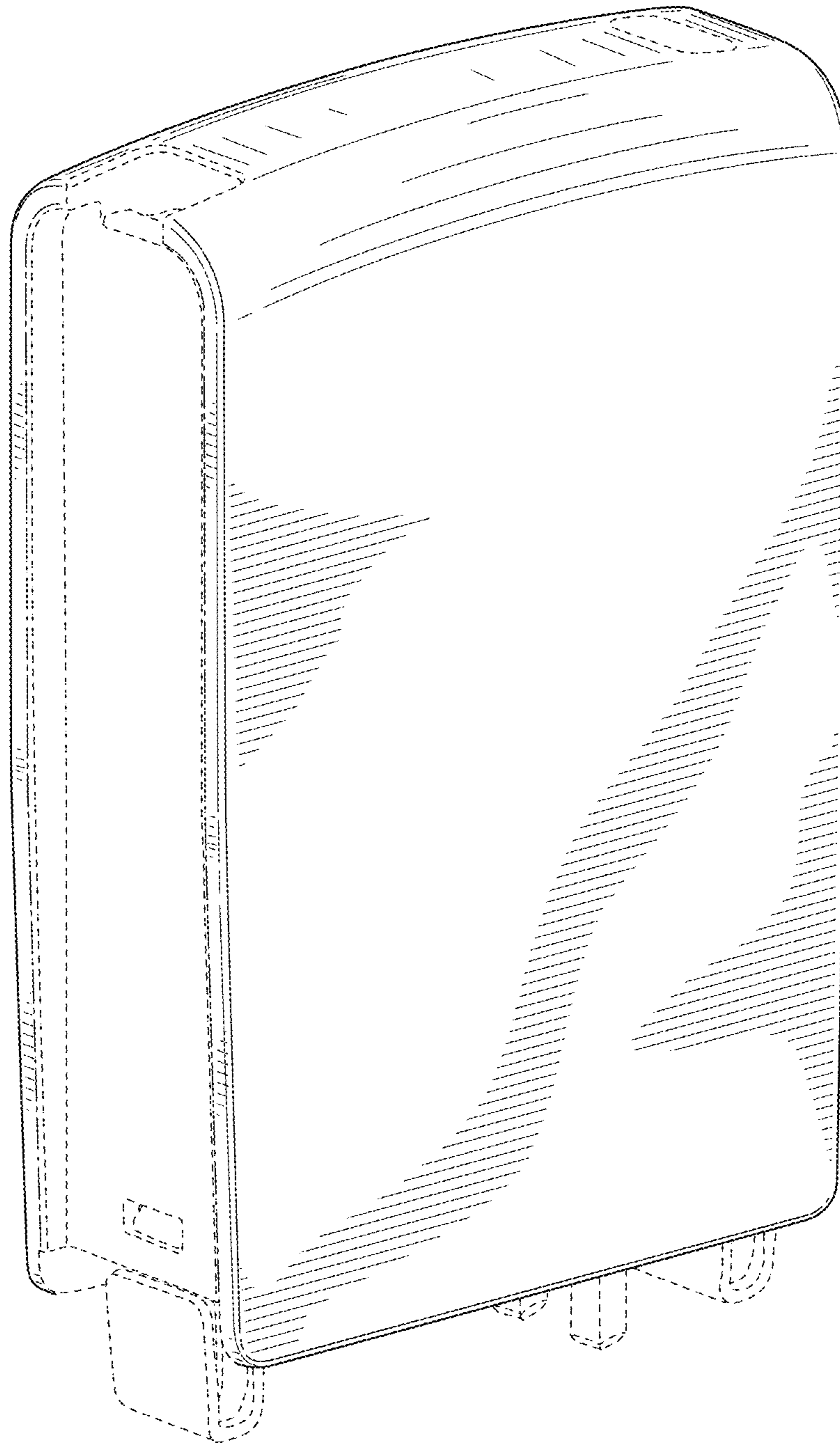


FIG. 13

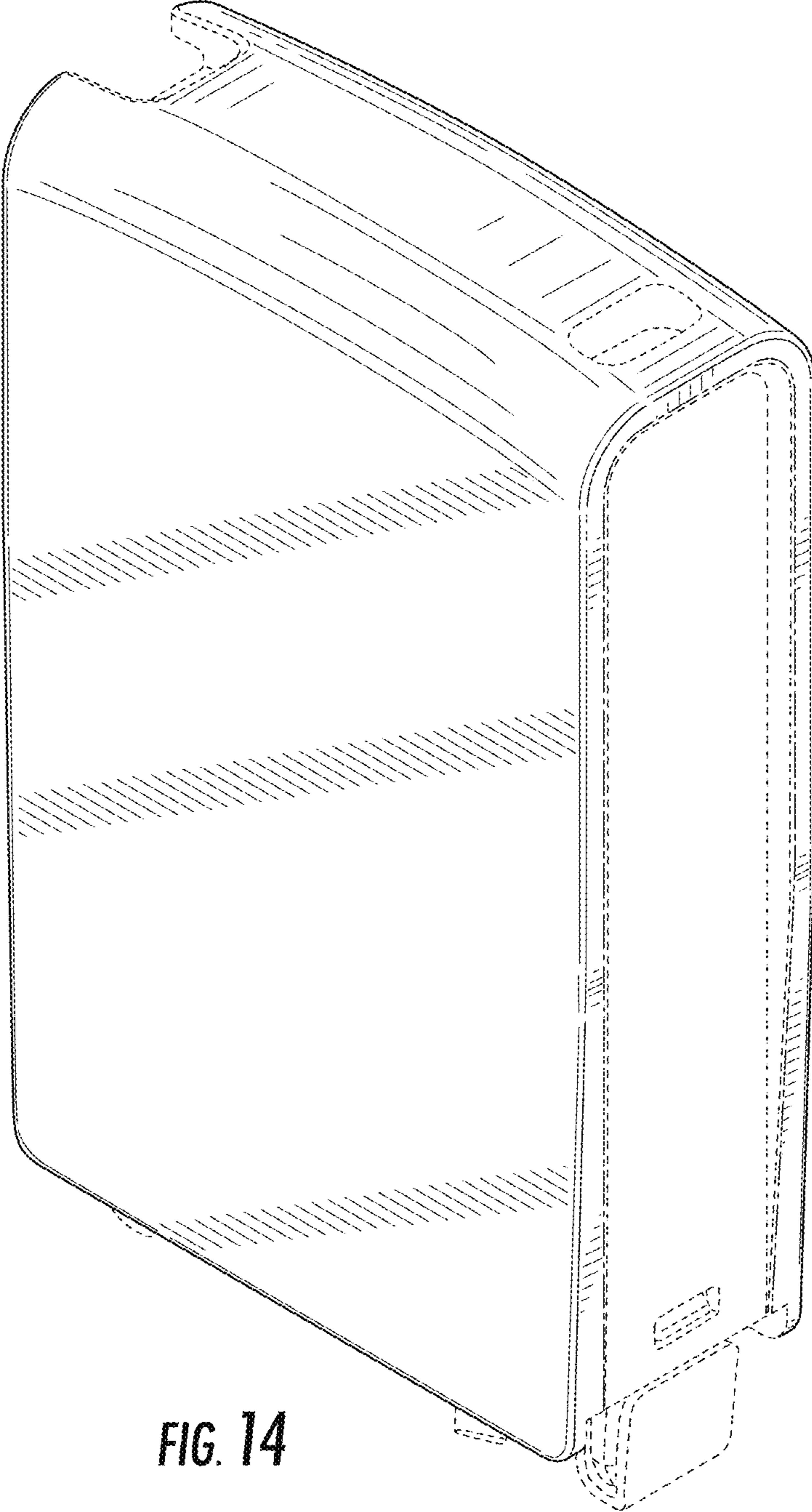


FIG. 14

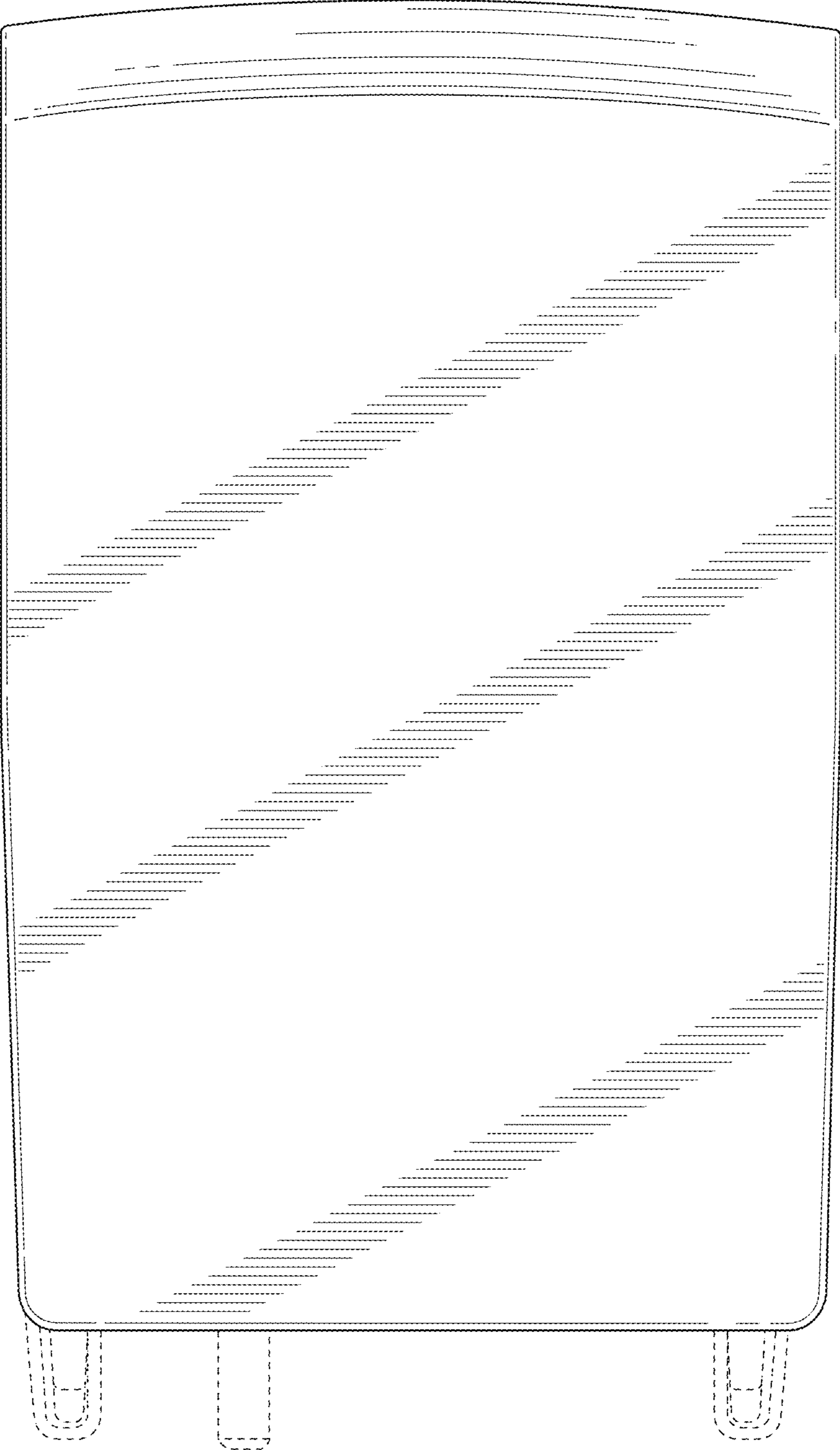


FIG. 15

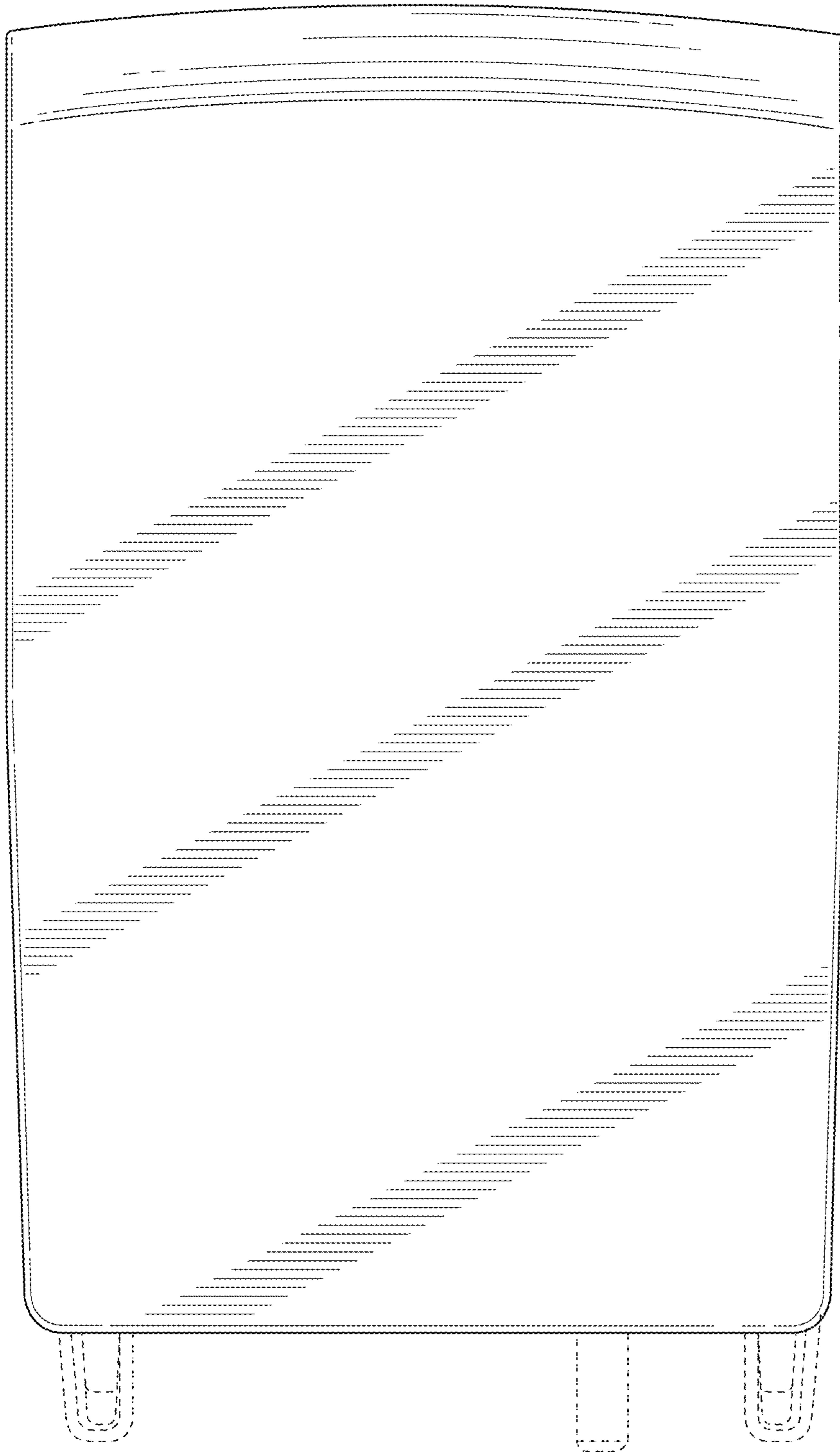
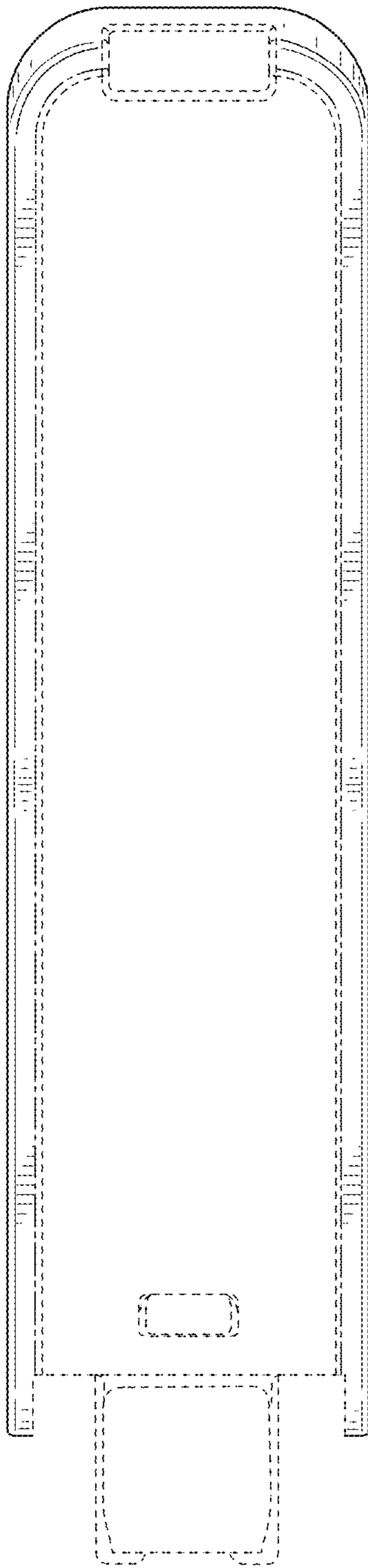
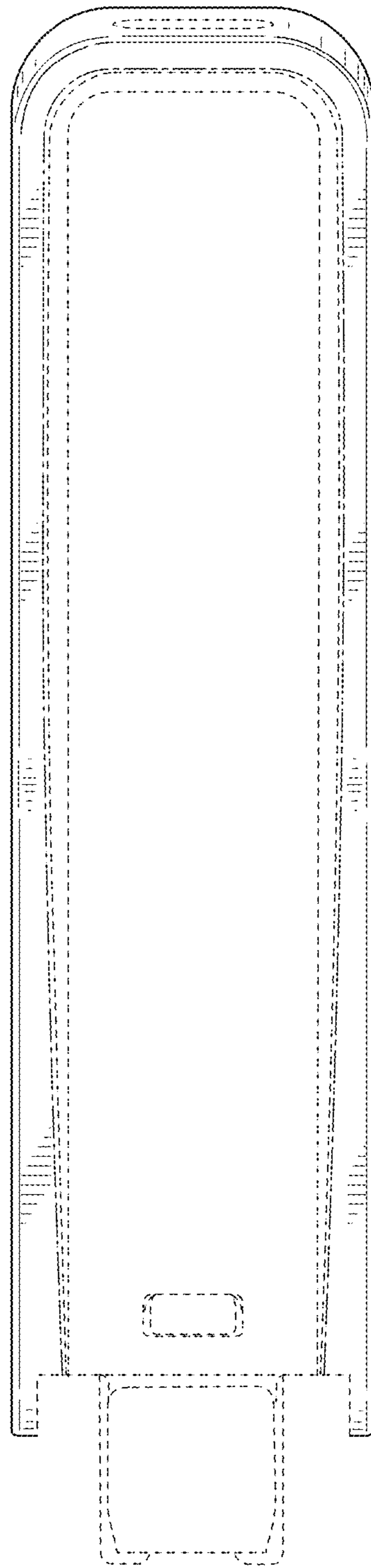


FIG. 16





**FIG. 17**



**FIG. 18**

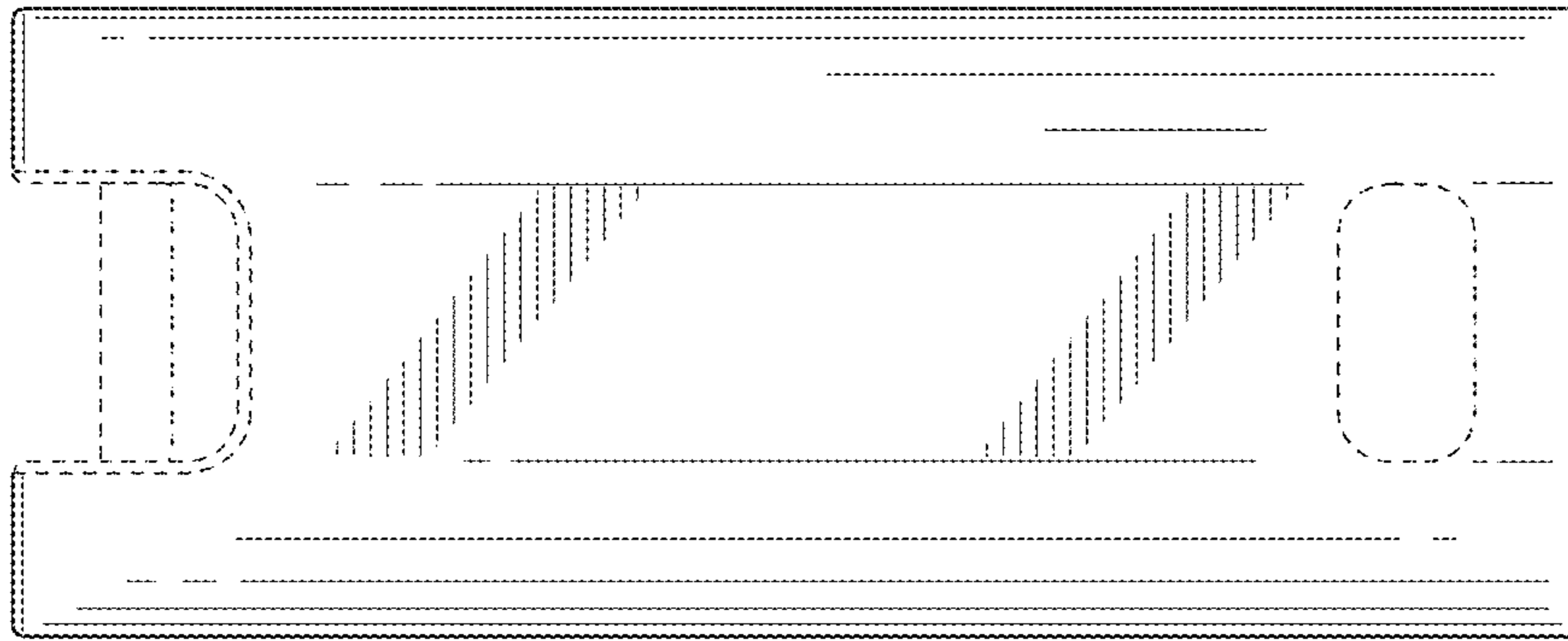


FIG. 19

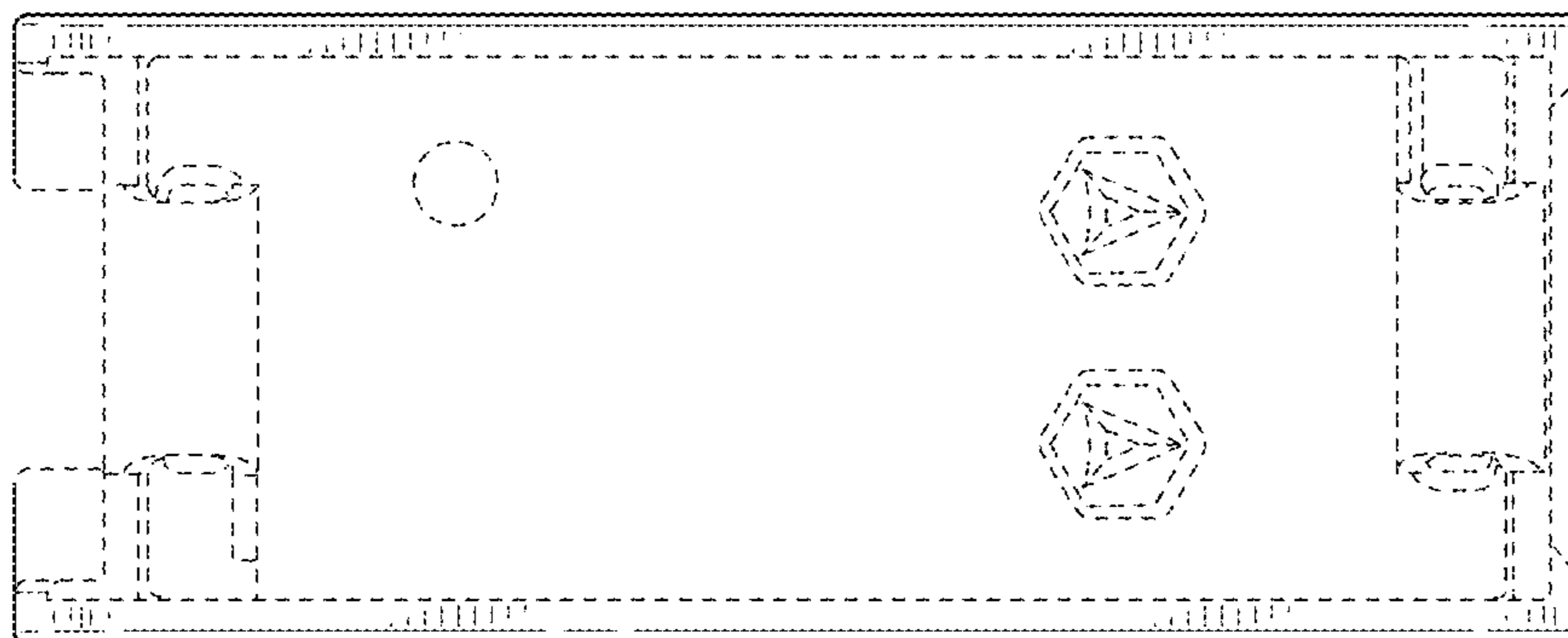
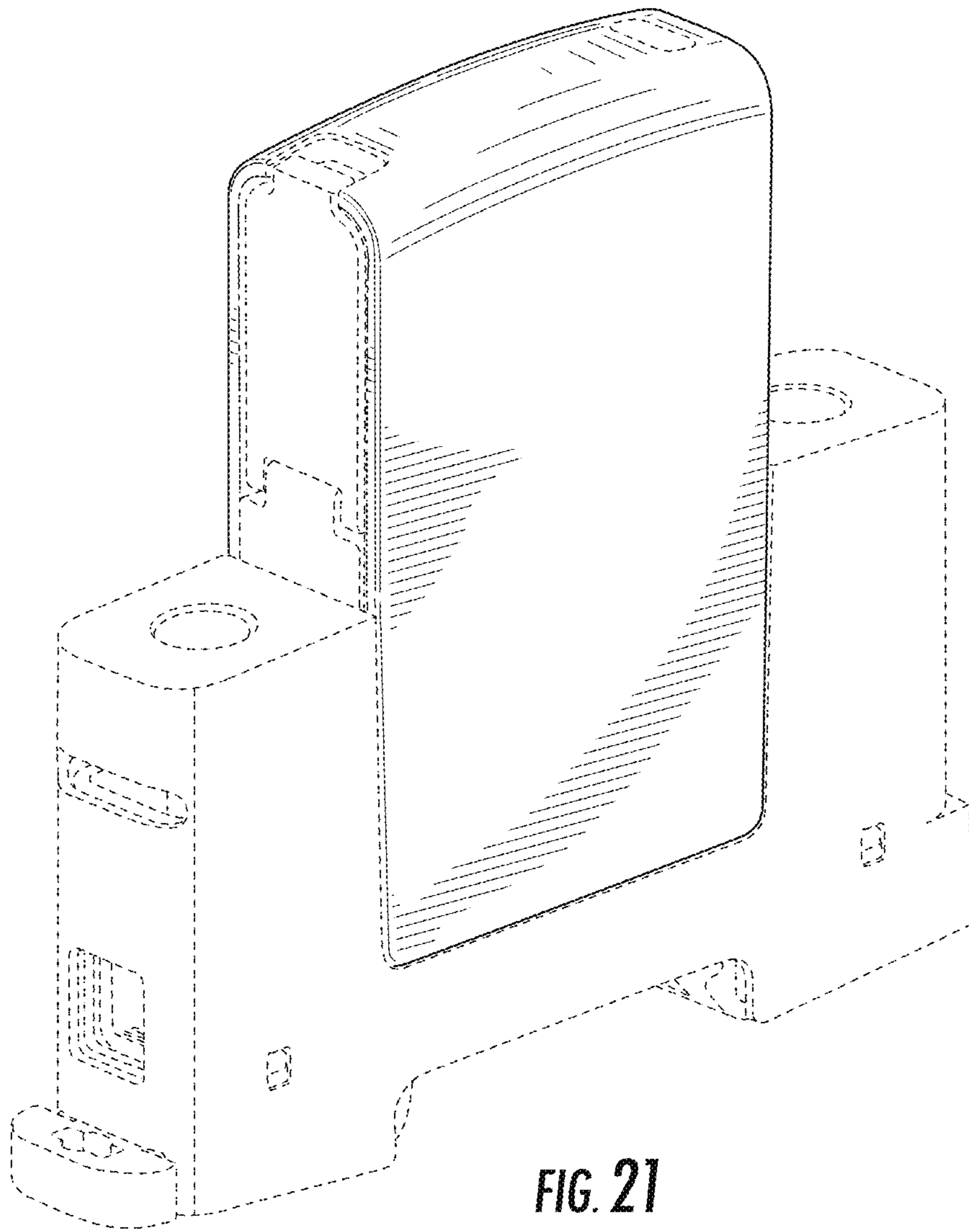


FIG. 20



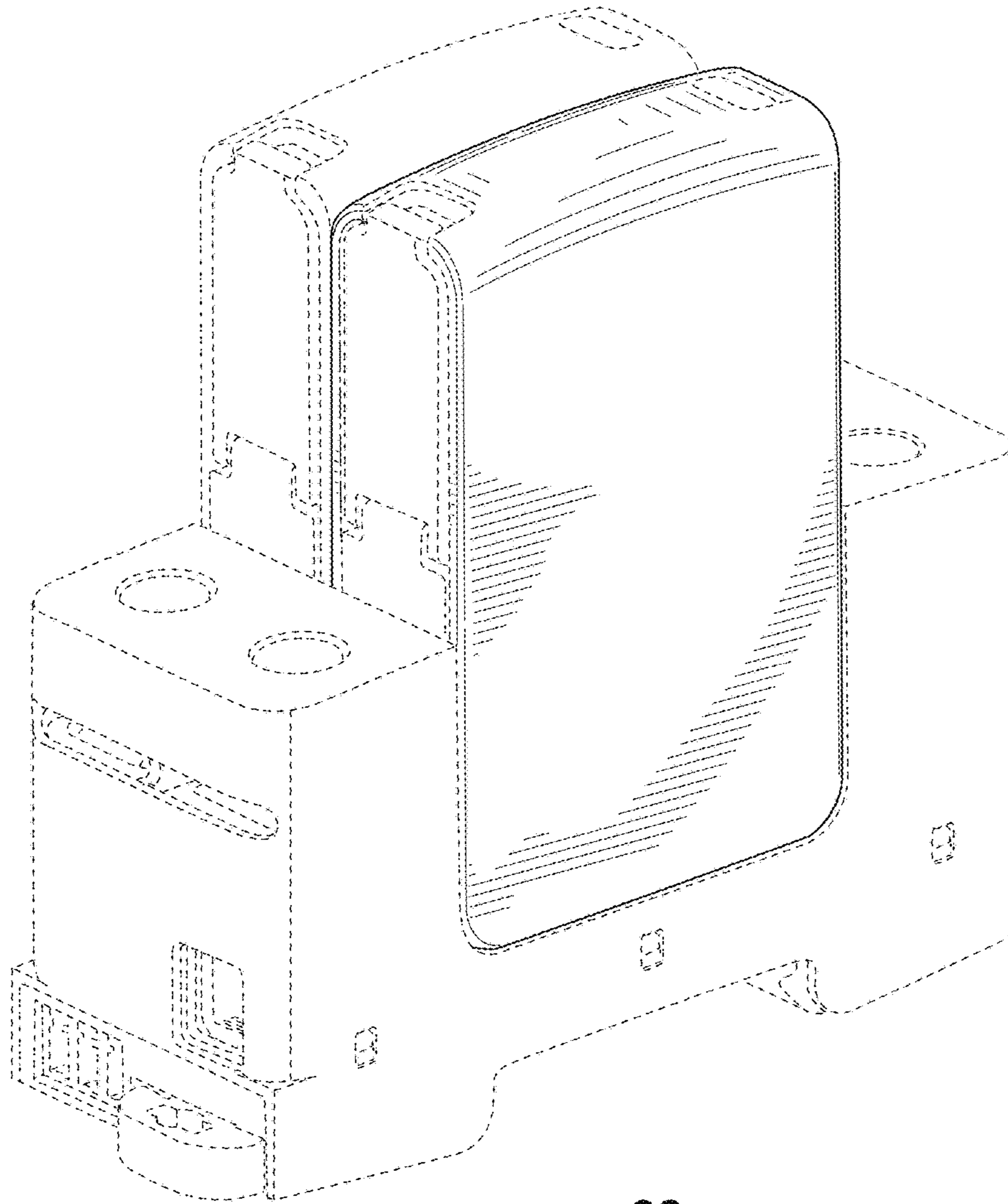


FIG. 22

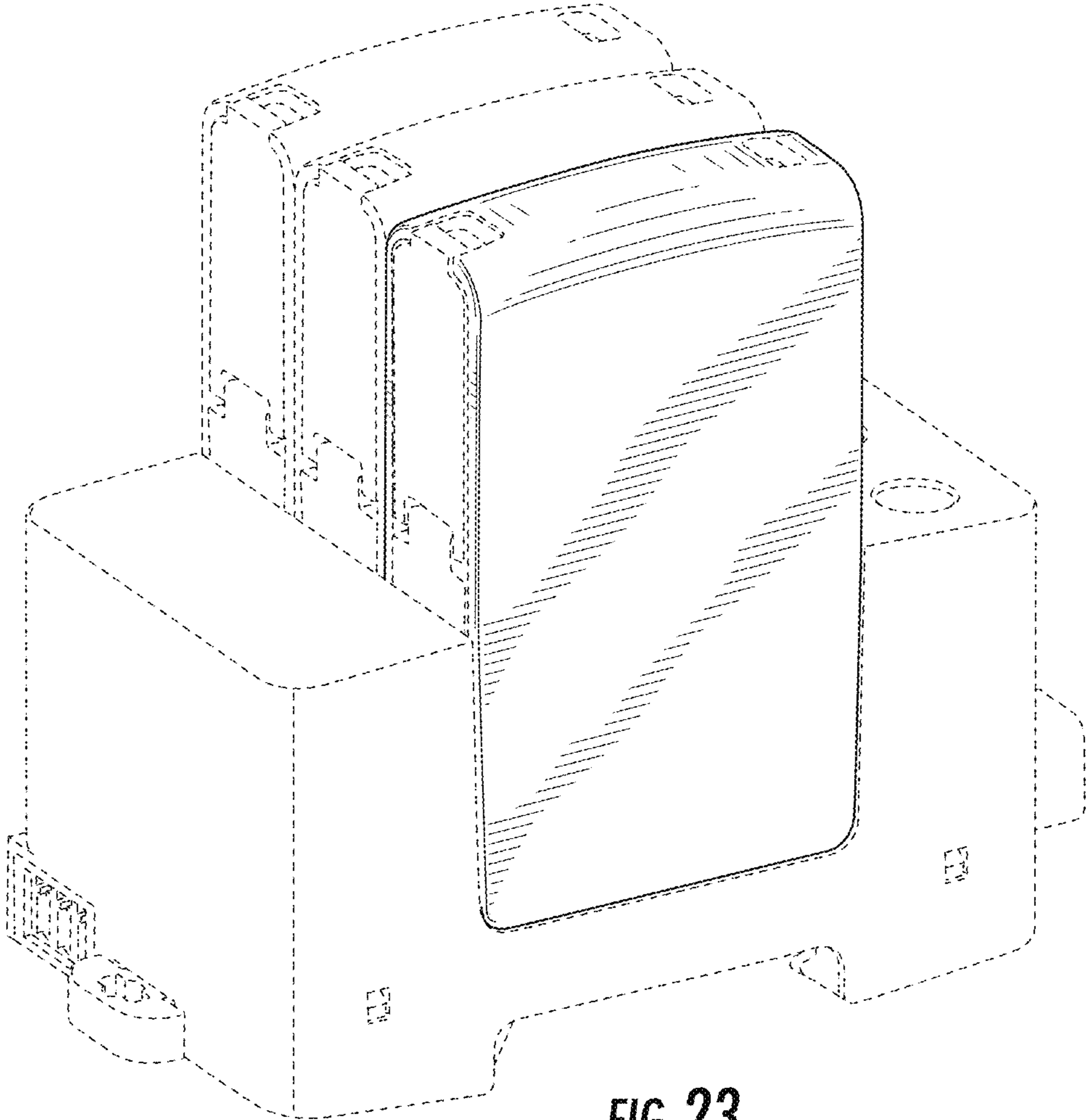


FIG. 23

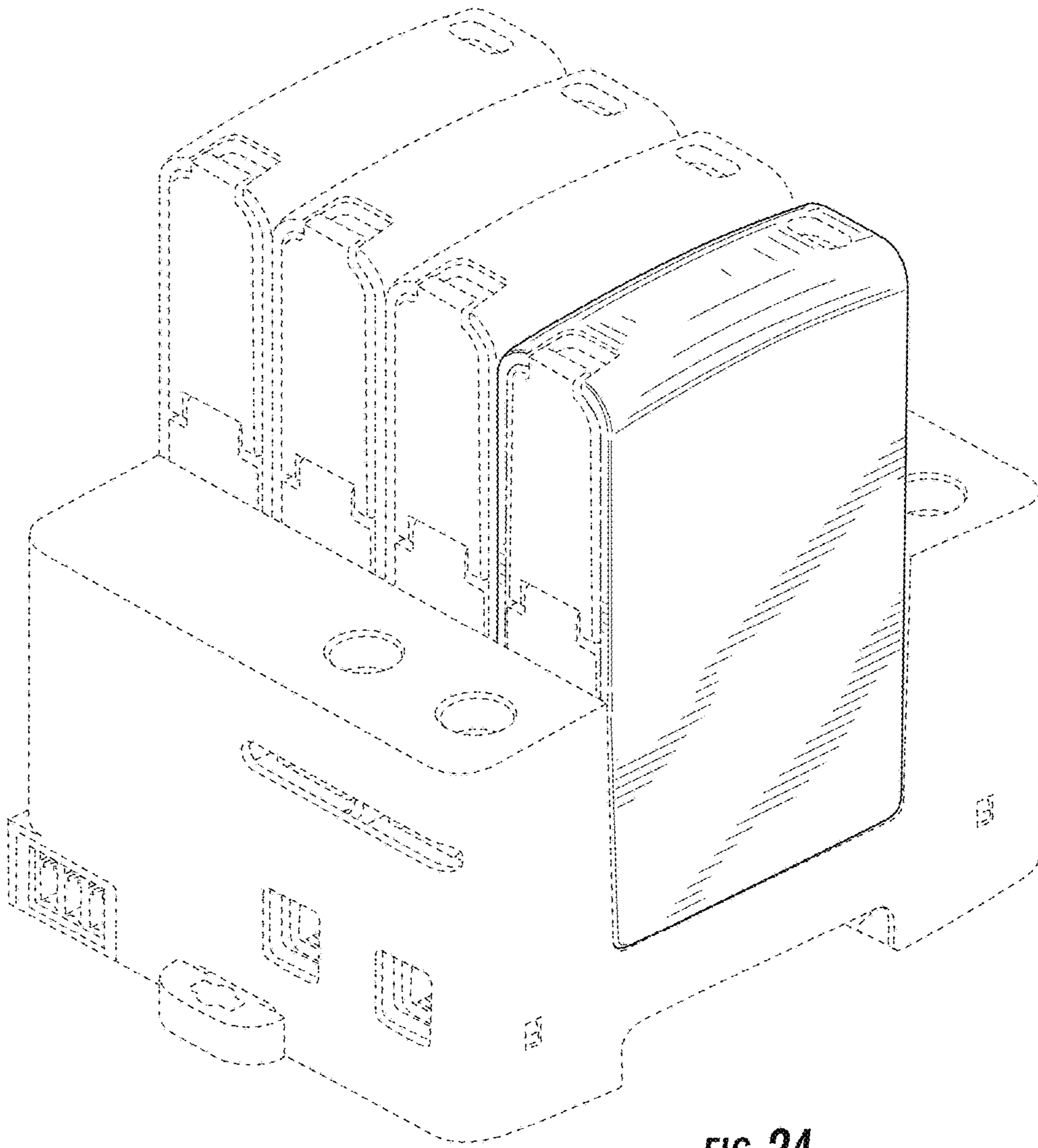


FIG. 24

UNITED STATES PATENT AND TRADEMARK OFFICE  
**CERTIFICATE OF CORRECTION**

PATENT NO. : D826,156 S  
APPLICATION NO. : 29/561983  
DATED : August 21, 2018  
INVENTOR(S) : Kamenšek et al.

Page 1 of 1

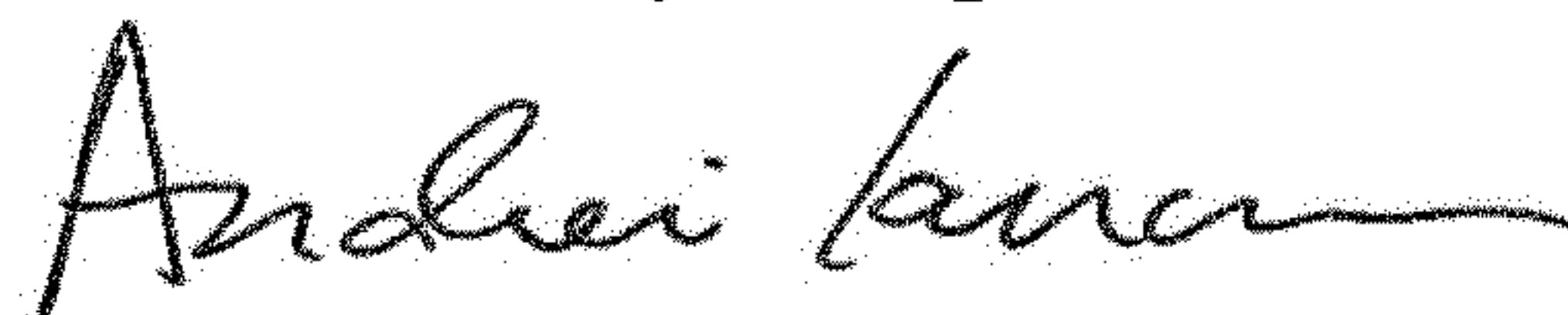
It is certified that error appears in the above-identified patent and that said Letters Patent is hereby corrected as shown below:

On the Title Page

Column 2, Line 1, Description, FIG. 1:  
Please correct "fired" to read -- first --

Page 2, Column 1, Lines 1-5, Description (continued):  
Please delete the entire paragraph and replace it with:  
The dot-dash broken lines and evenly spaced broken lines immediately adjacent  
the shaded areas represent the bounds of the claimed design while all other  
broken lines are directed to environment and are for illustrative purposes only; the  
broken lines form no part of the claimed design.

Signed and Sealed this  
Ninth Day of April, 2019



Andrei Iancu  
*Director of the United States Patent and Trademark Office*