



US00D826153S

(12) **United States Design Patent**
Hsia et al.

(10) **Patent No.:** **US D826,153 S**

(45) **Date of Patent:** **** Aug. 21, 2018**

(54) **MOBILE POWER BANK**

7/0045; H02J 7/0054; H02J 7/0062; H02J
2007/0062; H01M 10/488

See application file for complete search history.

(71) Applicant: **SCHNEIDER ELECTRIC IT**
CORPORATION, West Kingston, RI
(US)

(56) **References Cited**

U.S. PATENT DOCUMENTS

(72) Inventors: **George Hsia**, Taipei (TW); **Ming Che**
Chan, Taoyuan (TW); **Justin Matthew**
DeSilva, Blackstone, MA (US)

5,648,712 A * 7/1997 Hahn H01R 27/00
320/111

D406,100 S 2/1999 Murphy

6,196,851 B1 3/2001 Gerard et al.

D480,684 S 10/2003 Ho

D482,653 S 11/2003 Cho

(Continued)

(73) Assignee: **SCHNEIDER ELECTRIC IT**
CORPORATION, West Kingston, RI
(US)

Primary Examiner — Derrick Holland

(74) *Attorney, Agent, or Firm* — Lando & Anastasi, LLP

(**) Term: **15 Years**

(57) **CLAIM**

(21) Appl. No.: **29/613,035**

The ornamental design for a mobile power bank, as shown
and described.

(22) Filed: **Aug. 7, 2017**

DESCRIPTION

Related U.S. Application Data

(62) Division of application No. 29/513,728, filed on Jan.
5, 2015, now Pat. No. Des. 795,804.

(51) **LOC (11) Cl.** **13-02**

(52) **U.S. Cl.**
USPC **D13/110**

(58) **Field of Classification Search**
USPC D13/110, 101, 103, 107, 108; 307/23,
307/150-152; 361/600, 601, 622, 702,
361/703, 730, 796, 809; 363/141, 142;
D15/149

CPC H02M 7/00; H02M 7/02; H02M 7/003;
H05K 5/00; H05K 5/0017; H05K 7/00;
H05K 7/1427; H05K 7/20918; H02J 9/06;
H02J 9/061; H02J 7/00; H02J 7/02; H02J

This application also relates to U.S. patent application Ser.
No. 14/589,494, filed Jan. 5, 2015, and entitled Uninterrupt-
ible Power Supply Having a Removable Battery, by George
Hsia and Ming Che Chan.

FIG. 1 is an exploded perspective view of a mobile power
bank showing our new design in environmental use;

FIG. 2 is another perspective view of the mobile power
bank;

FIG. 3 is a left side elevation view of the mobile power bank;

FIG. 4 is a right side elevation view of the mobile power
bank;

FIG. 5 is a front elevation view of the mobile power bank;

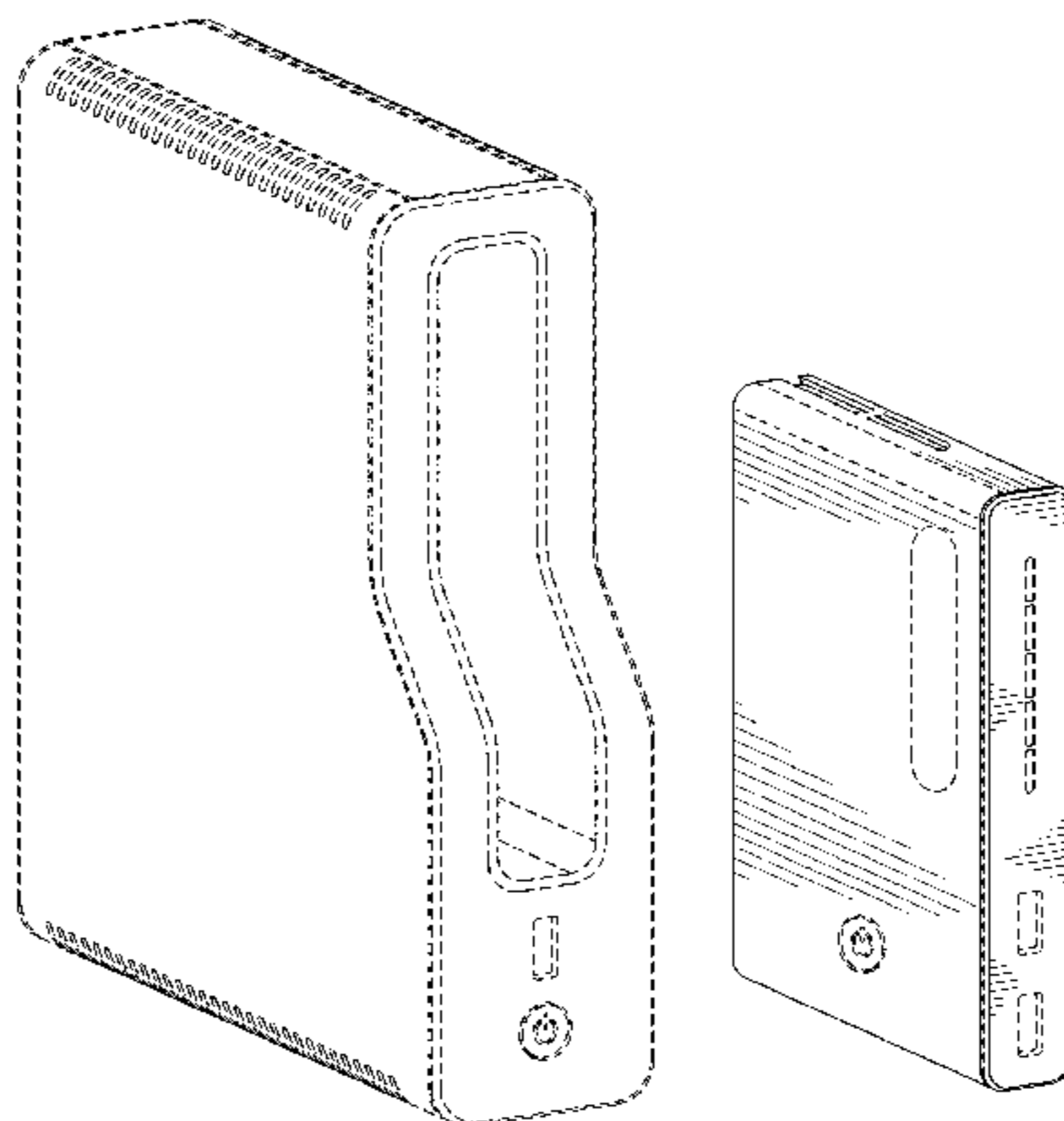
FIG. 6 is a rear elevation view of the mobile power bank;

FIG. 7 is a top plan view of the mobile power bank; and,

FIG. 8 is a bottom plan view of the mobile power bank.

The recessed channel of the mobile power bank shown with
a symbolic break in length in FIGS. 1, 2, 7, and 8. The
appearance of any portion of the article between the break
lines forms no part of the claimed design.

(Continued)



The broken lines shown in the figures are for environmental purposes only and form no part of the claimed design.

1 Claim, 7 Drawing Sheets

(56)

References Cited

U.S. PATENT DOCUMENTS

6,686,683	B2	2/2004	Ohtsuka et al.	
D503,679	S *	4/2005	Andre	D13/110
D506,976	S	7/2005	Dechene et al.	
6,923,676	B2	8/2005	Perry	
7,202,576	B1	4/2007	Dechene et al.	
D561,094	S *	2/2008	Sween	D13/110
D561,321	S *	2/2008	Hong	D23/370
7,626,356	B2	12/2009	Elgie et al.	
D648,676	S	11/2011	Brookshire et al.	
D661,249	S	6/2012	Smith et al.	

D670,243	S	11/2012	McGuire
D711,821	S	8/2014	Wang
2005/0029984	A1	2/2005	Cheng et al.
2008/0079388	A1	4/2008	Sarnowsky et al.
2008/0116748	A1	5/2008	Yeh
2010/0088843	A1	4/2010	Reed et al.
2010/0213892	A1	8/2010	DeSanctis
2010/0244567	A1	9/2010	Brookshire et al.
2010/0264877	A1	10/2010	Ashida
2011/0076874	A1	3/2011	Fleisig
2011/0084660	A1	4/2011	McSweyn
2011/0148197	A1	6/2011	Hernandez et al.
2011/0304211	A1	12/2011	Peterson et al.
2013/0033223	A1	2/2013	Liu
2014/0111143	A1	4/2014	Sells et al.
2015/0015075	A1	1/2015	Toya et al.
2015/0061385	A1	3/2015	Nommensen et al.
2015/0171386	A1	6/2015	Yang et al.
2015/0207351	A1	7/2015	Hamburgen et al.
2016/0197504	A1	7/2016	Hsia et al.

* cited by examiner

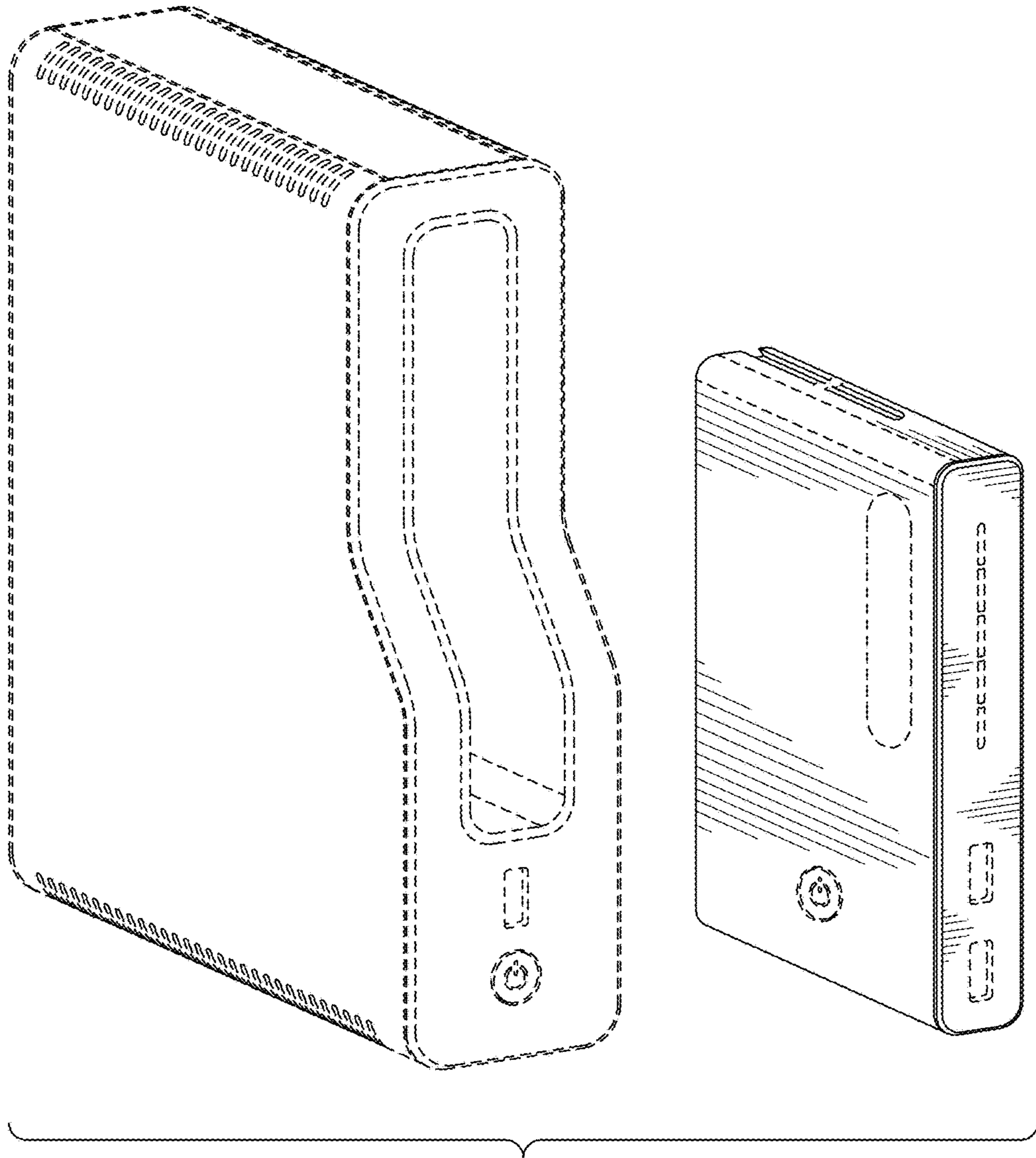


FIG. 1

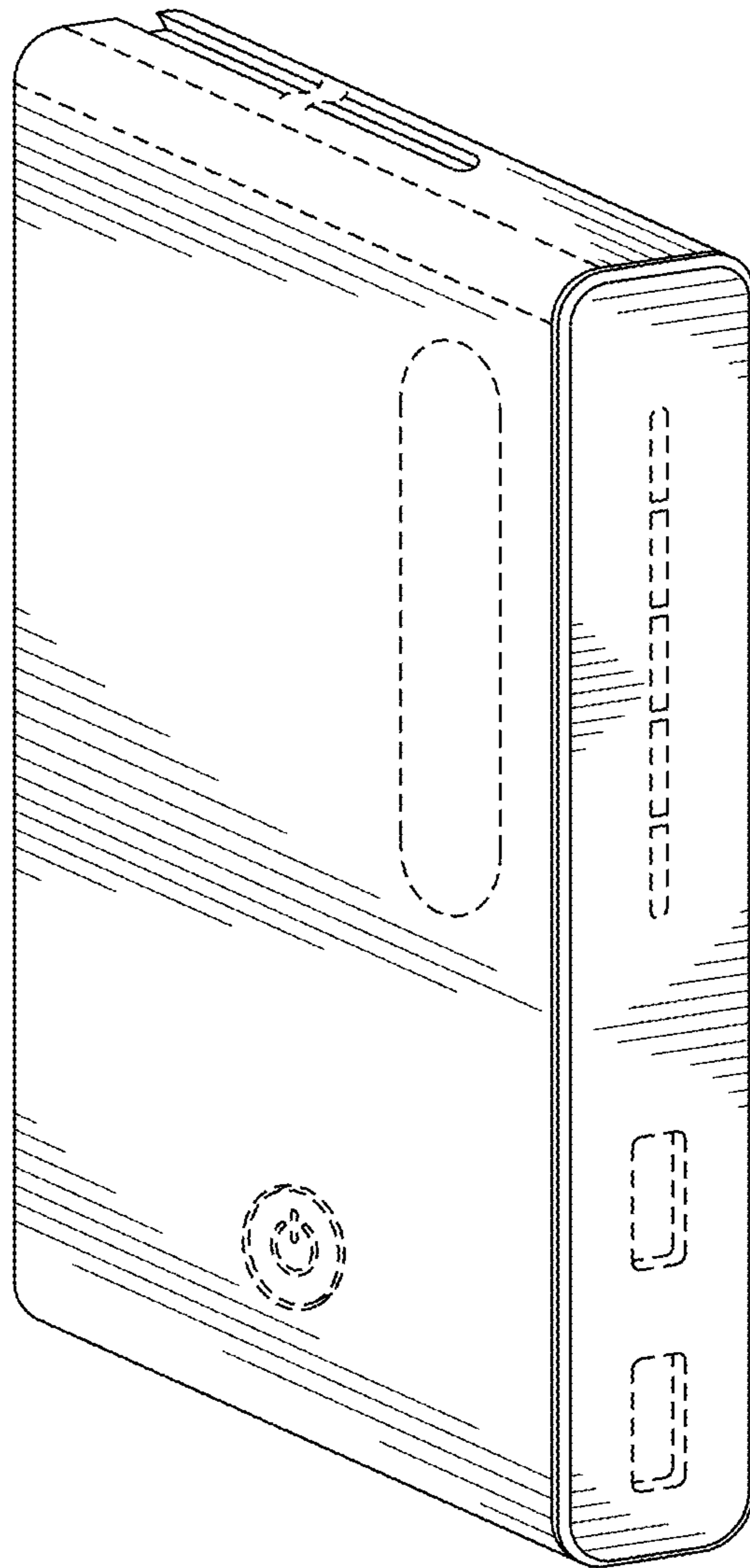


FIG. 2

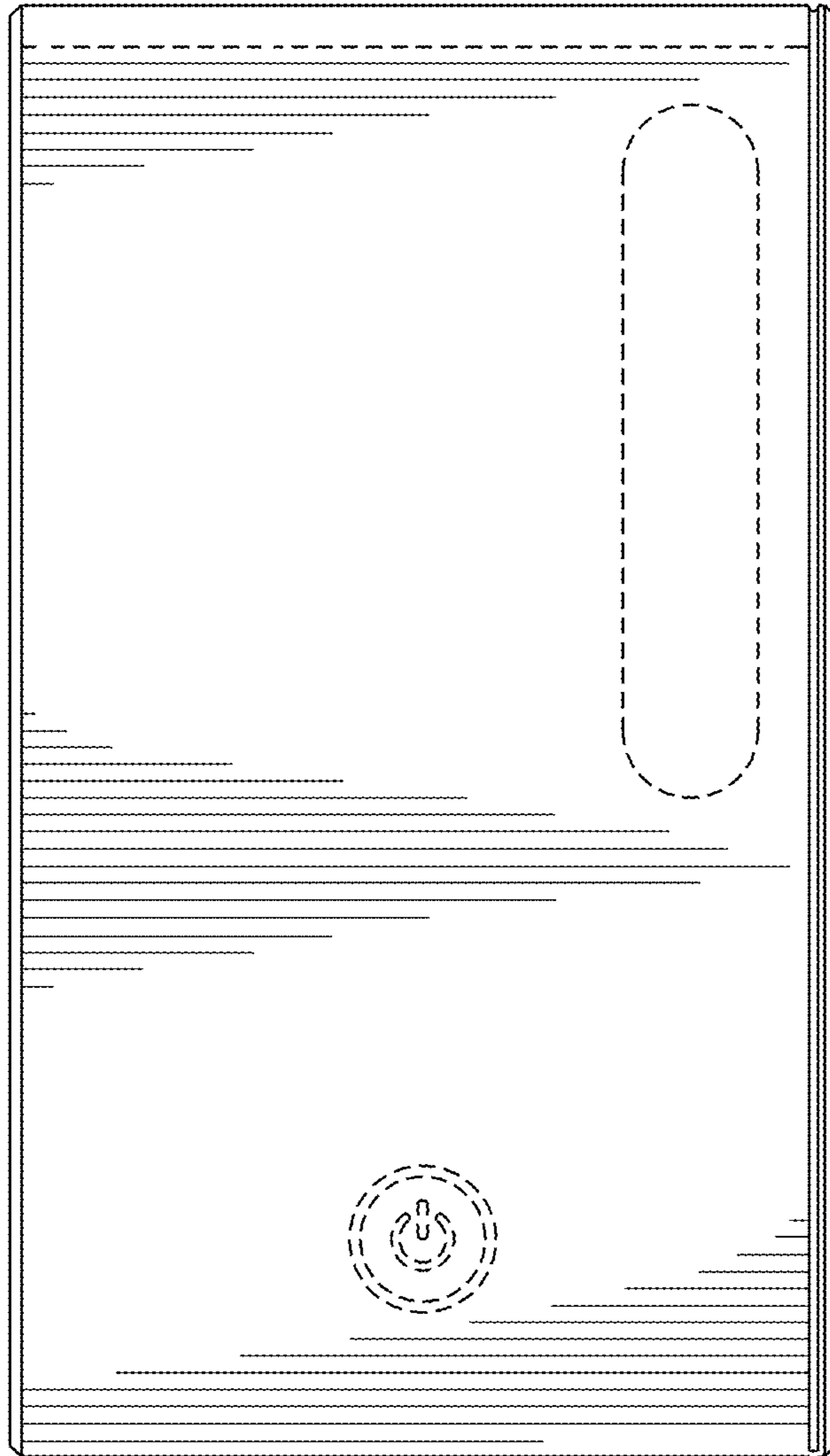


FIG. 3

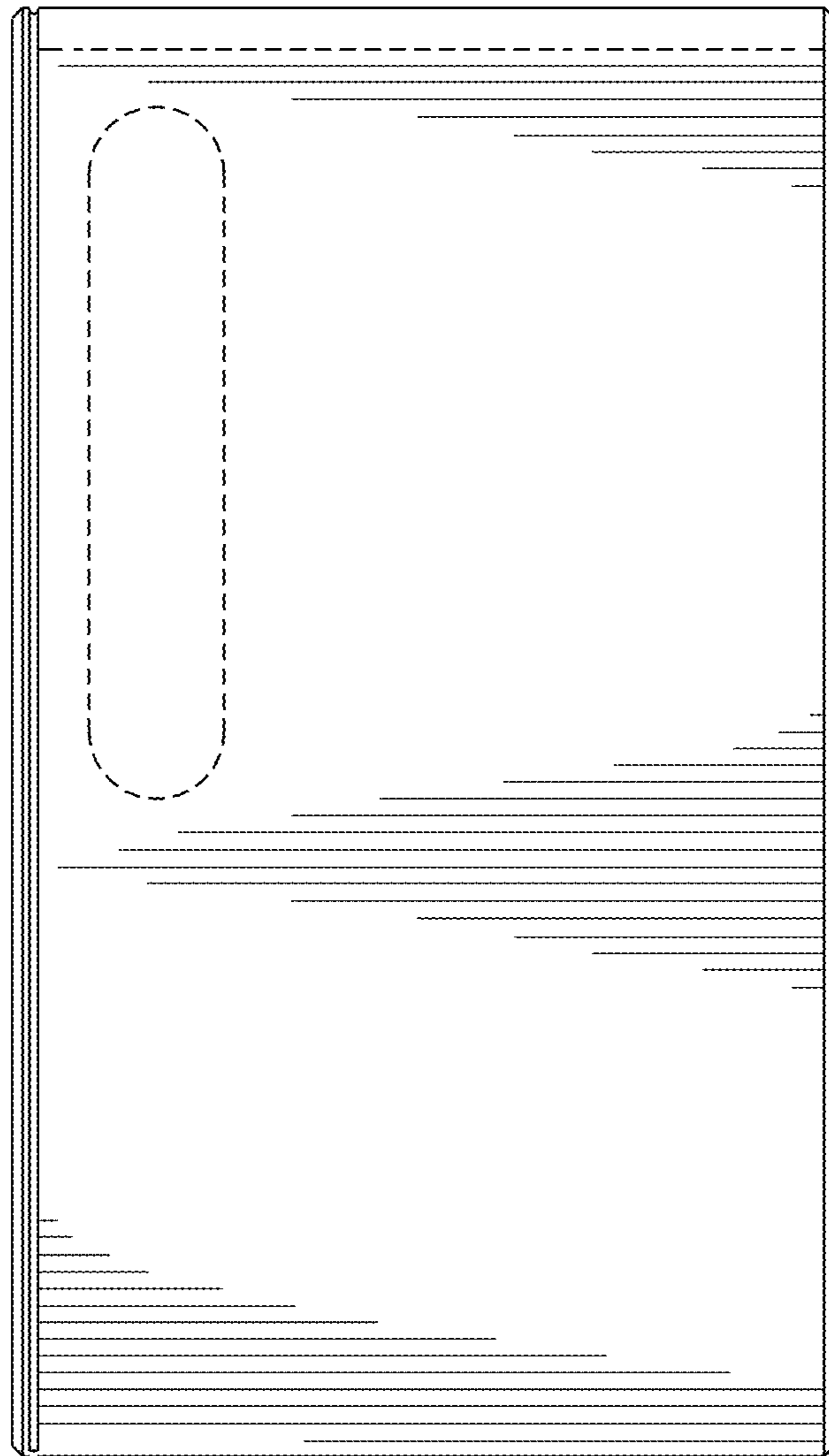


FIG. 4

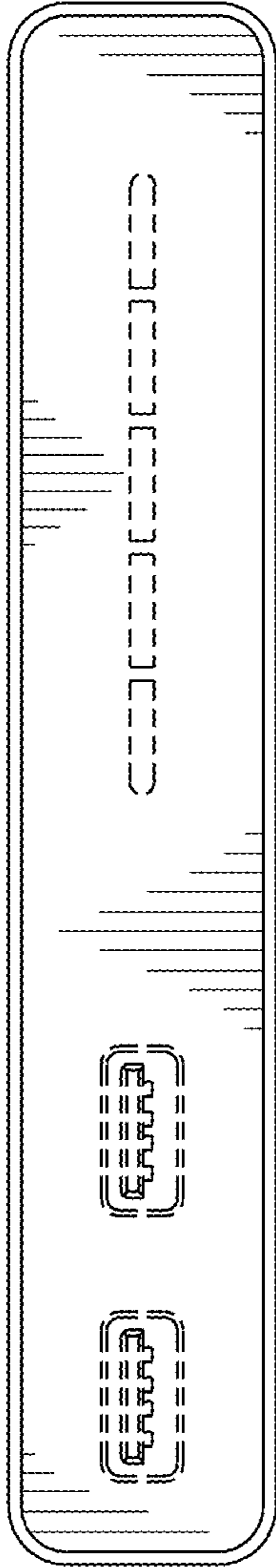


FIG. 5

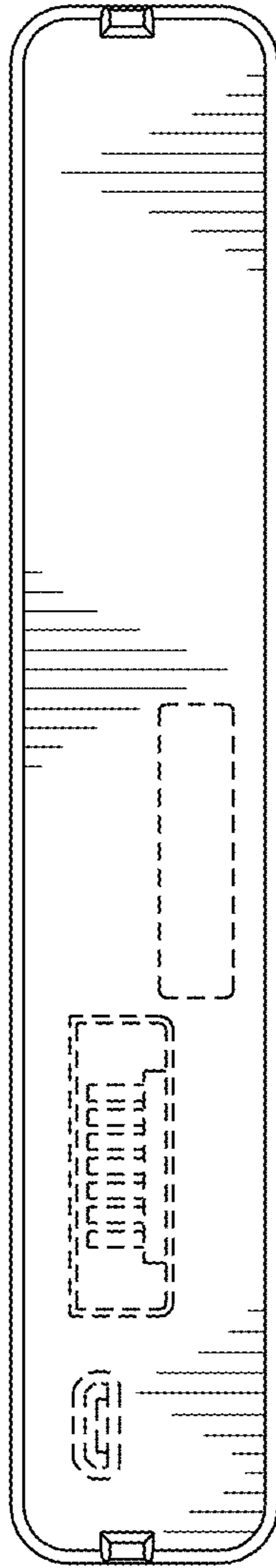


FIG. 6

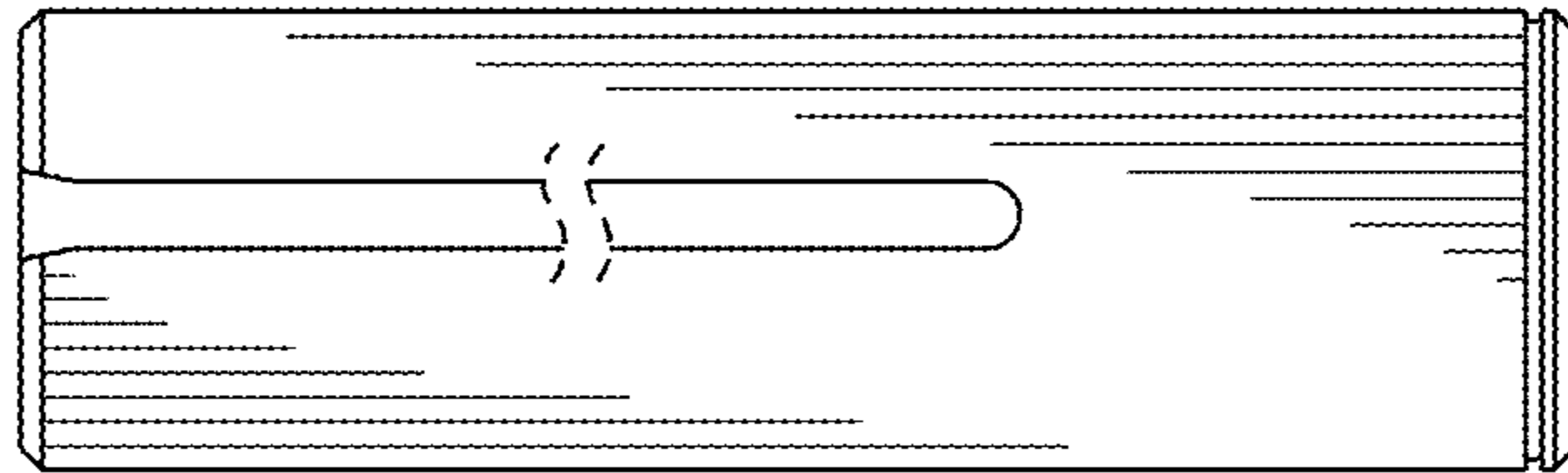


FIG. 7

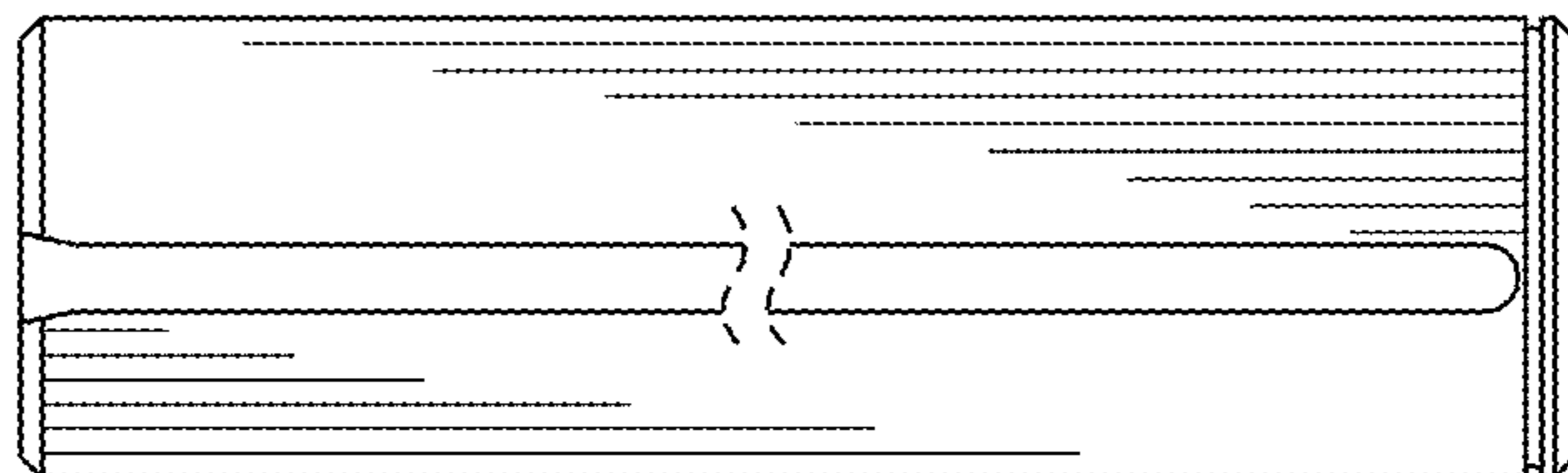


FIG. 8