



US00D826150S

(12) **United States Design Patent** (10) **Patent No.:** **US D826,150 S**  
**Cayon** (45) **Date of Patent:** **\*\* Aug. 21, 2018**

- (54) **BATTERY PACK**
- (71) Applicant: **BLACK & DECKER, INC.**, New Britain, CT (US)
- (72) Inventor: **Troy Cayon**, Towson, MD (US)
- (73) Assignee: **Black & Decker Inc.**, New Britain, CT (US)
- (\*\*) Term: **15 Years**
- (21) Appl. No.: **29/581,625**
- (22) Filed: **Oct. 20, 2016**
- (51) **LOC (11) Cl.** ..... **13-02**
- (52) **U.S. Cl.**  
USPC ..... **D13/103**
- (58) **Field of Classification Search**  
USPC ..... D13/102–106, 110, 118–119, 184  
CPC ..... Y02E 60/12; Y02E 60/122; Y02E 60/124;  
Y02E 60/50; H01M 2/02; H01M 2/022;  
H01M 2/0202; H01M 2/0207; H01M  
2/0212; H01M 2/1061; H01M 2/1022;  
H01M 2/1055; H01M 2/1066; H01M  
2/105; H01M 2/204; H01M 10/4257;  
H01M 10/0436; H01M 10/48  
See application file for complete search history.

- D780,687 S \* 3/2017 Taniguchi ..... D13/103
- D780,688 S \* 3/2017 Elder ..... D13/103
- D801,919 S \* 11/2017 Elder ..... D13/103

\* cited by examiner

*Primary Examiner* — Jennifer Rivard  
*Assistant Examiner* — Alison M Ofstun  
(74) *Attorney, Agent, or Firm* — Michael Aronoff

(57) **CLAIM**

The ornamental design for a battery pack, as shown and described.

**DESCRIPTION**

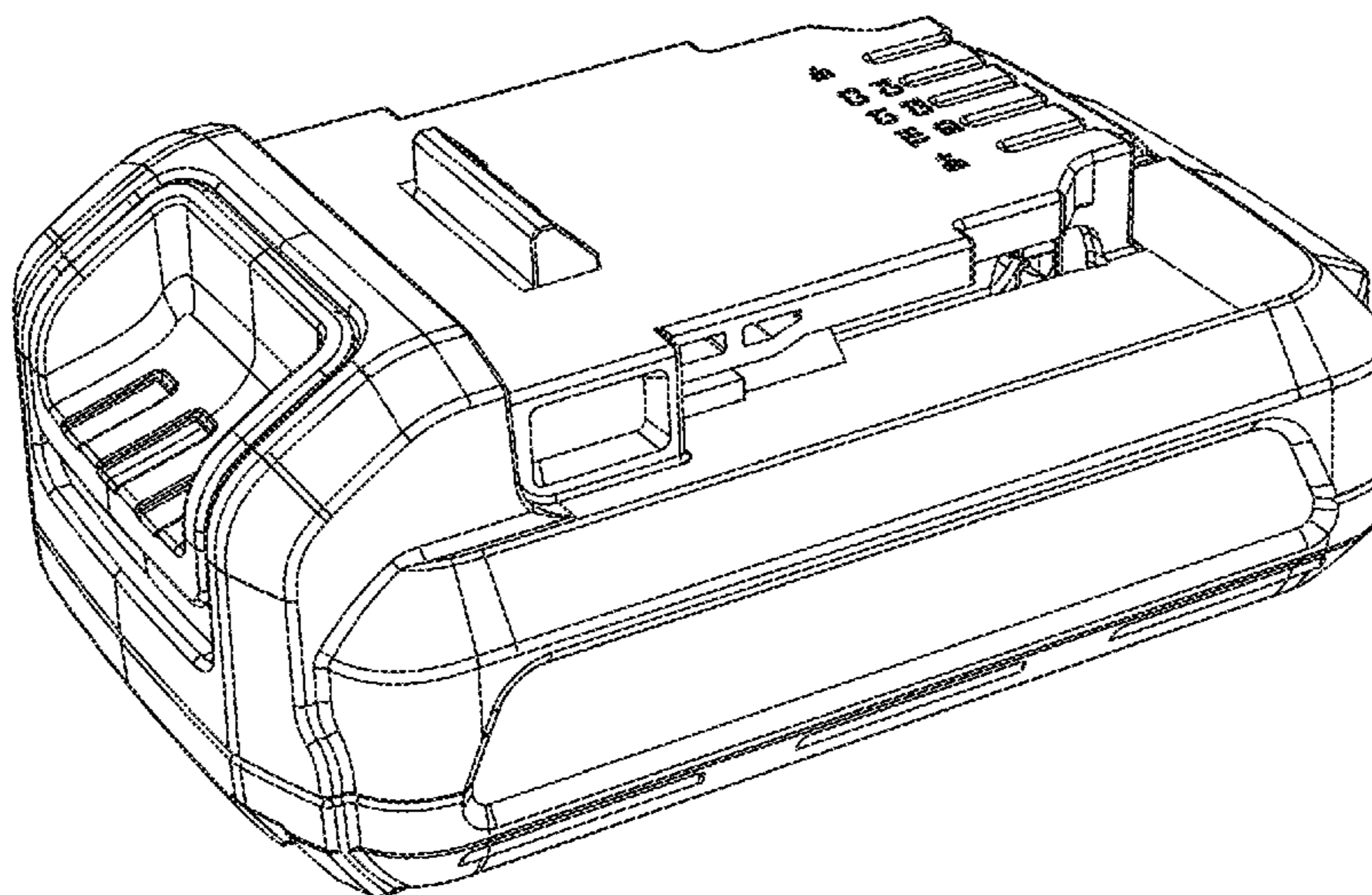
FIG. 1 is a top, front, right perspective view of a first embodiment of a battery pack showing my new design.  
 FIG. 2 is a front elevation view of the battery pack of FIG. 1.  
 FIG. 3 is a right side elevation view of the battery pack of FIG. 1.  
 FIG. 4 is a rear elevation view of the battery pack of FIG. 1.  
 FIG. 5 is a left side elevation view of the battery pack of FIG. 1.  
 FIG. 6 is a top plan view of the battery pack of FIG. 1.  
 FIG. 7 is a bottom plan view of the battery pack of FIG. 1.  
 FIG. 8 is a top, front, right perspective view of a second embodiment of a battery pack.  
 FIG. 9 is a front elevation view of the battery pack of FIG. 8.  
 FIG. 10 is a right side elevation view of the battery pack of FIG. 8.  
 FIG. 11 is a rear elevation view of the battery pack of FIG. 8.  
 FIG. 12 is a left side elevation view of the battery pack of FIG. 8.  
 FIG. 13 is a top plan view of the battery pack of FIG. 8; and,  
 FIG. 14 is a bottom plan view of the battery pack of FIG. 8.

(56) **References Cited**

U.S. PATENT DOCUMENTS

- D545,759 S \* 7/2007 Ino ..... D13/103
- D550,152 S \* 9/2007 Okuda ..... D13/103
- D610,082 S \* 2/2010 Sweeney ..... D13/103
- D643,809 S \* 8/2011 Okuda ..... D13/103
- D658,578 S \* 5/2012 Davis ..... D13/103
- D682,194 S \* 5/2013 Jiang ..... D13/103
- D684,528 S \* 6/2013 Murray ..... D13/103
- D685,730 S \* 7/2013 Hamm ..... D13/103
- D699,670 S \* 2/2014 Cooper ..... D13/103
- D718,705 S \* 12/2014 Naksen ..... D13/103

**1 Claim, 14 Drawing Sheets**



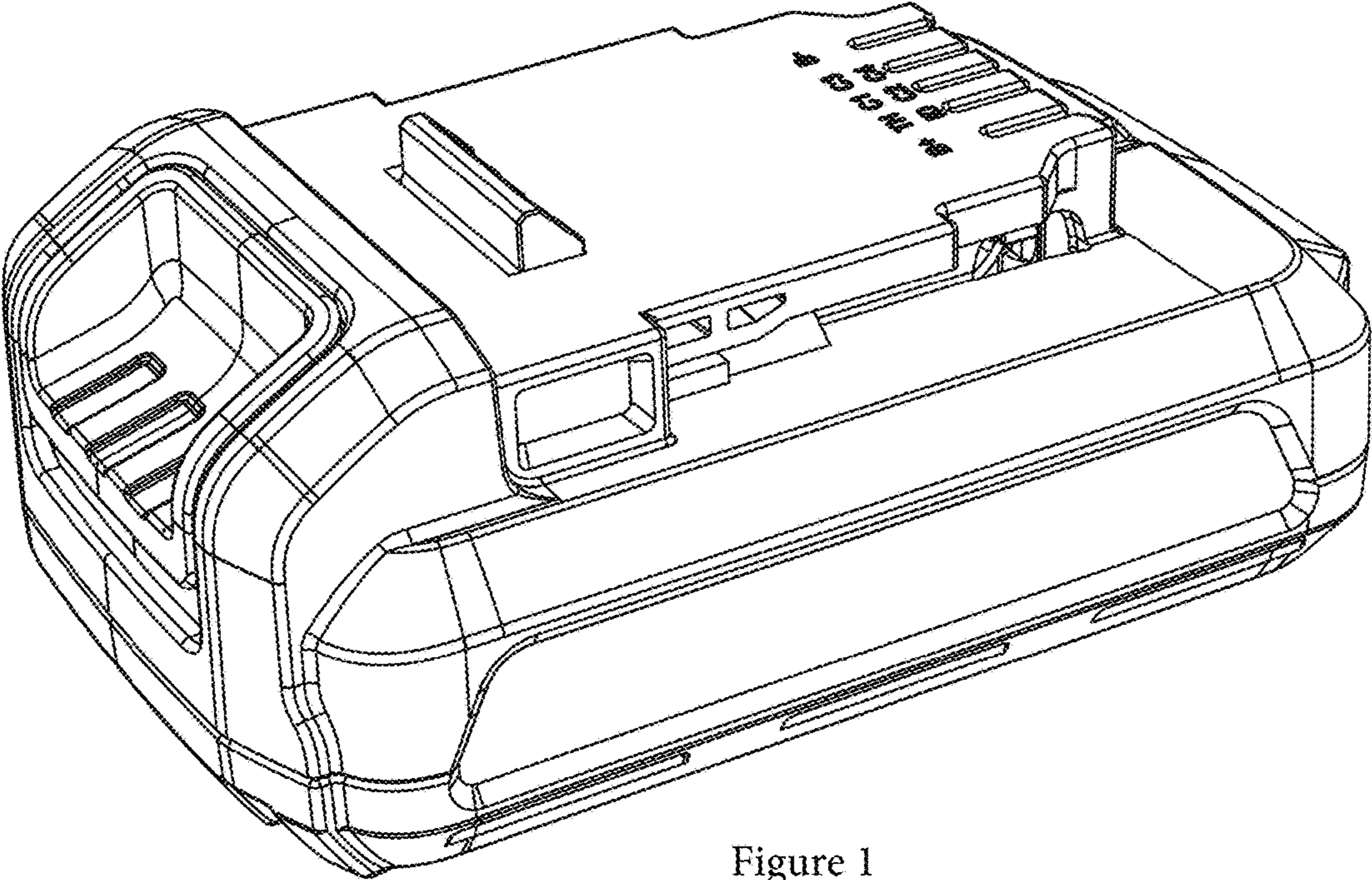


Figure 1

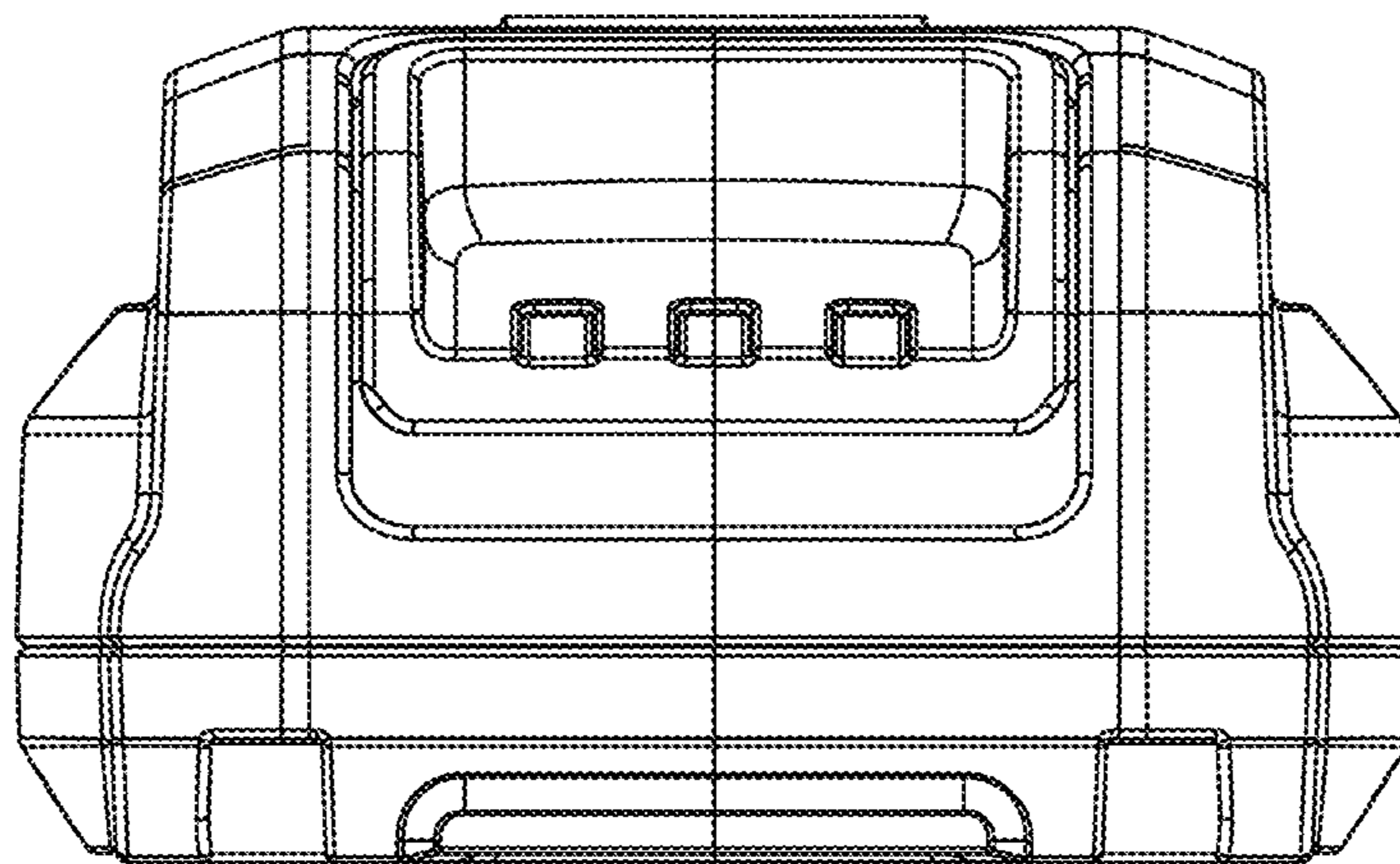


Figure 2

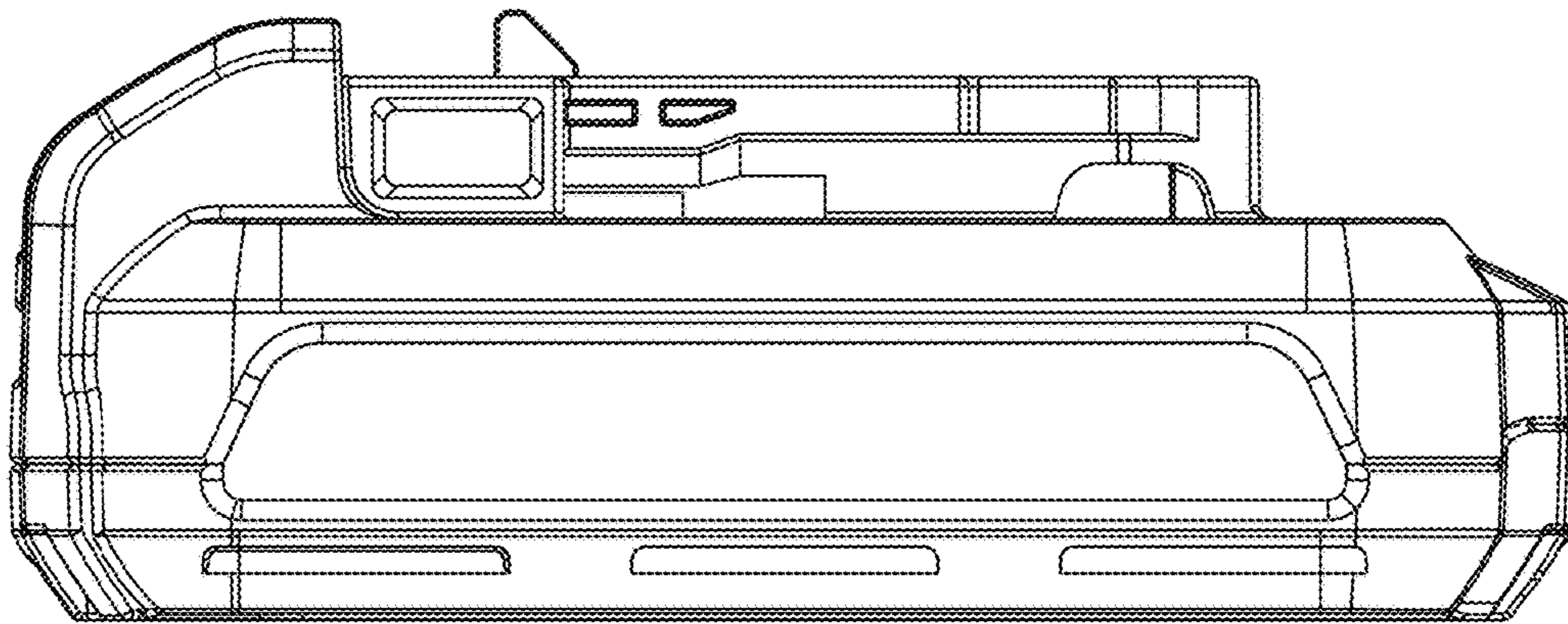


Figure 3

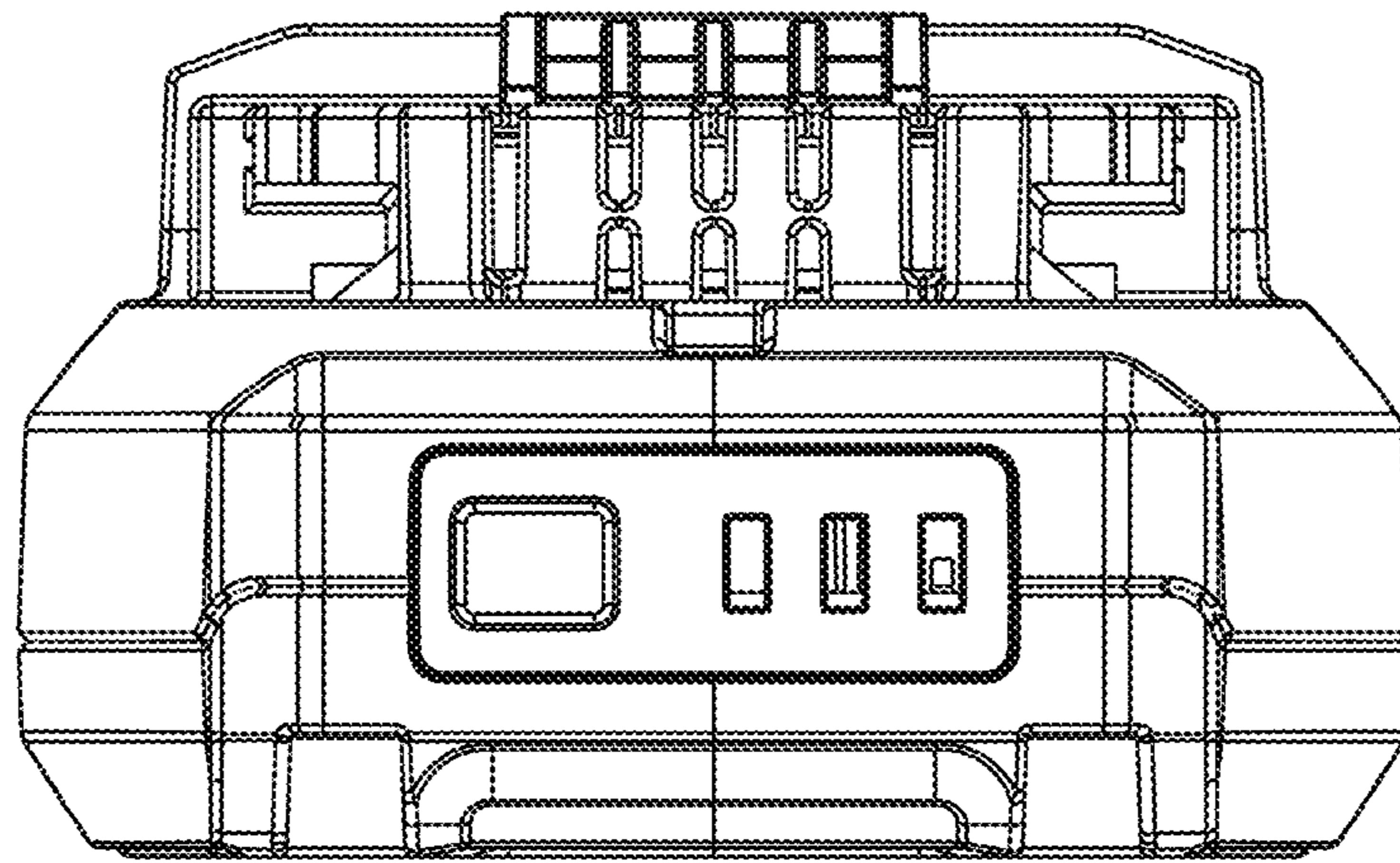


Figure 4

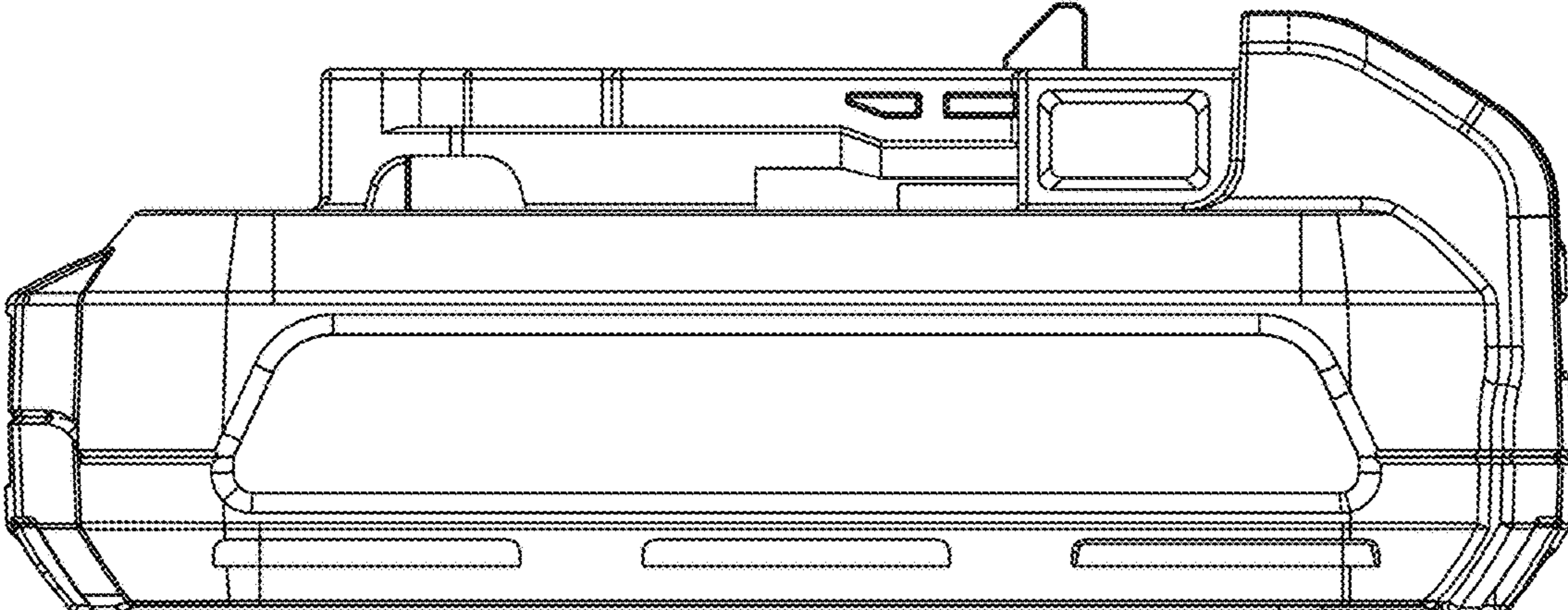


Figure 5

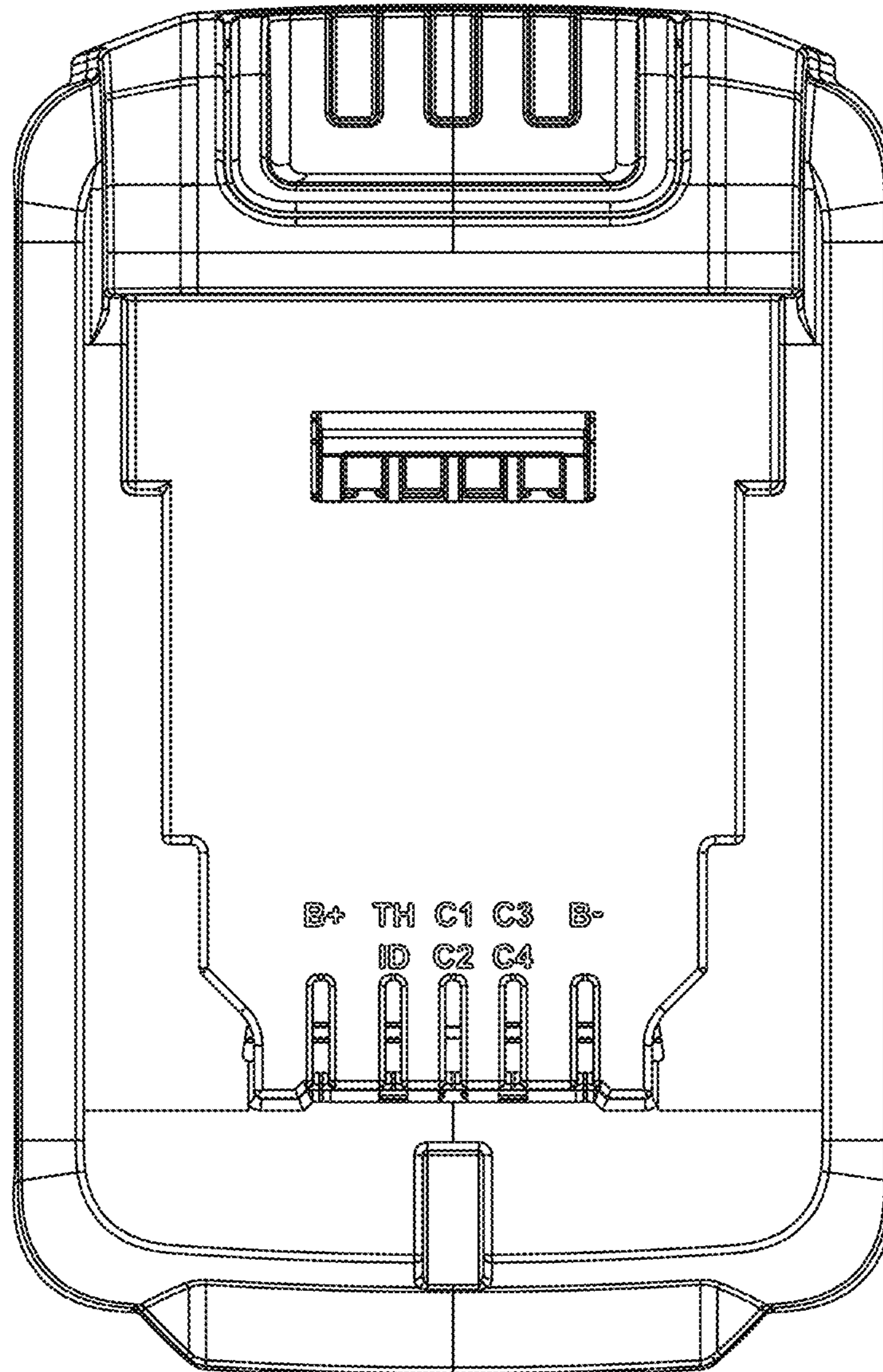


Figure 6

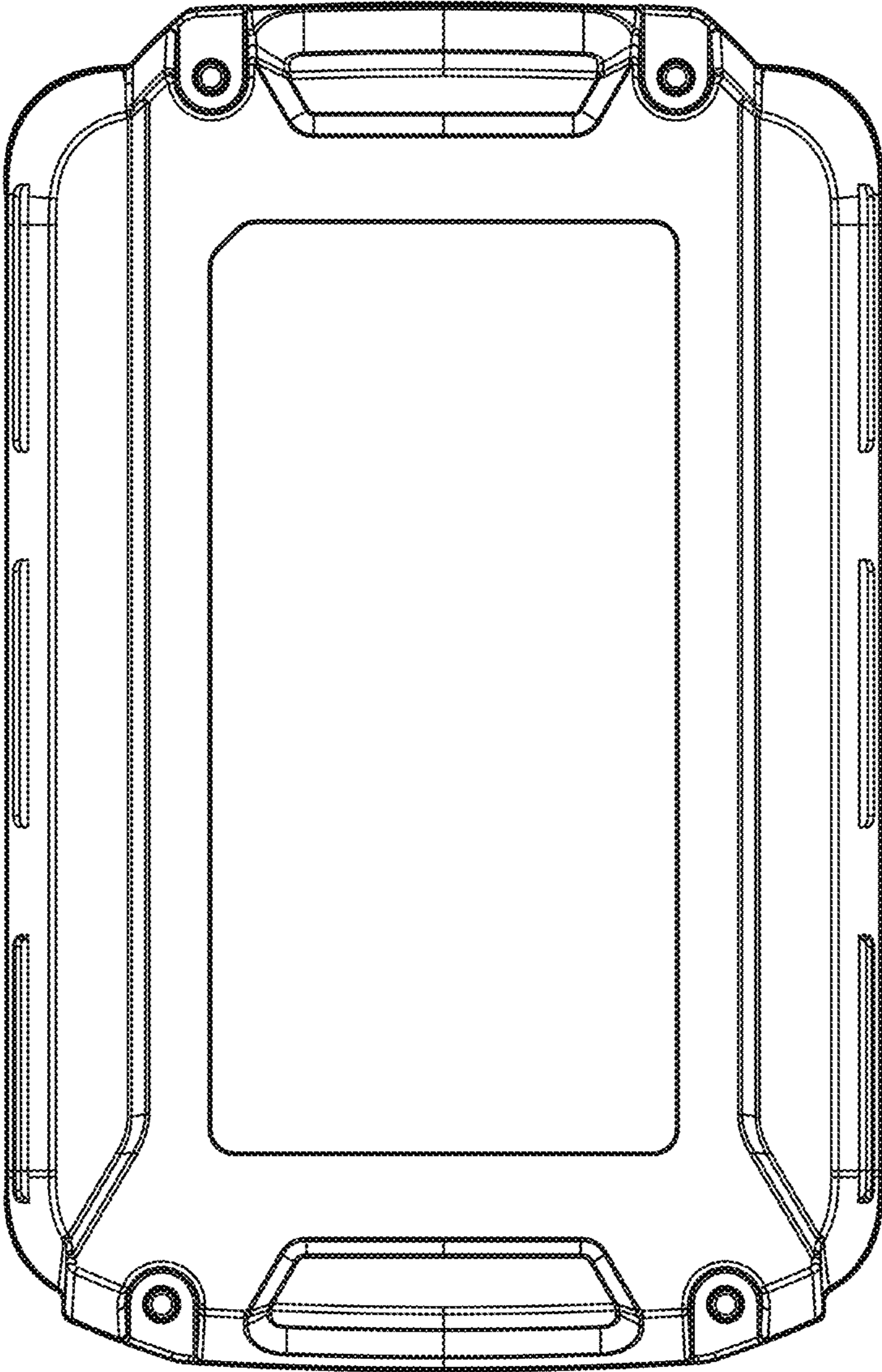


Figure 7



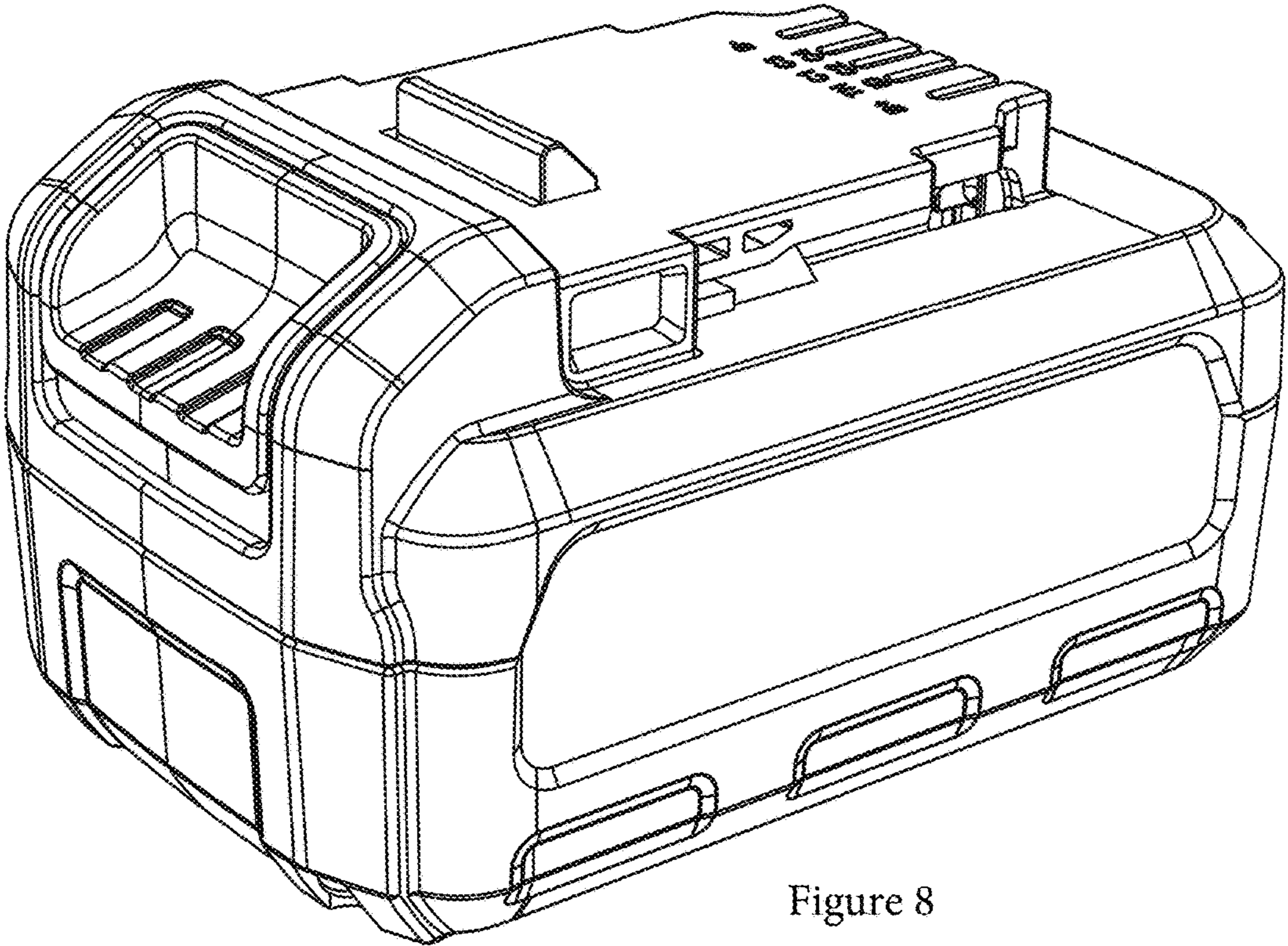


Figure 8

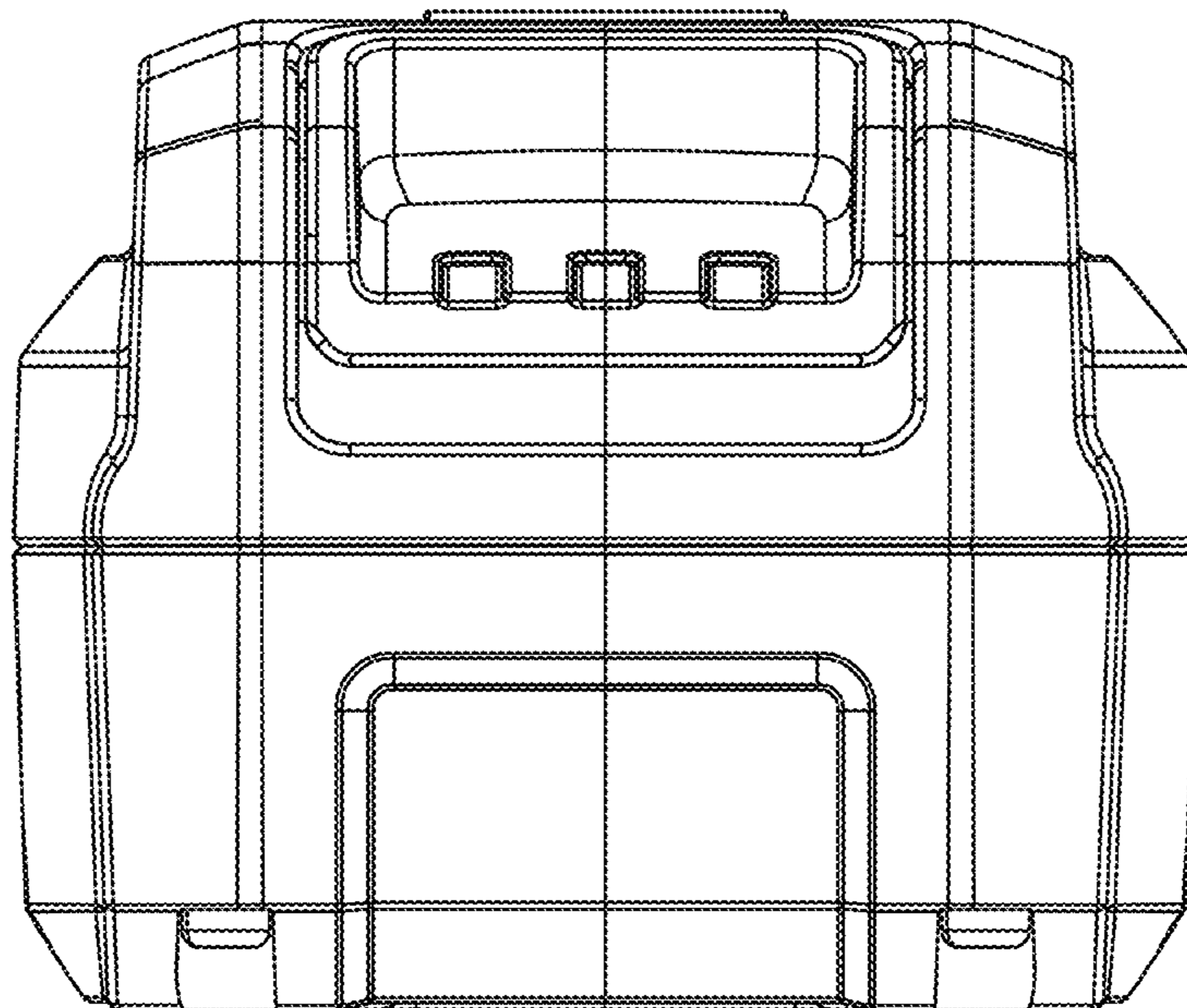


Figure 9

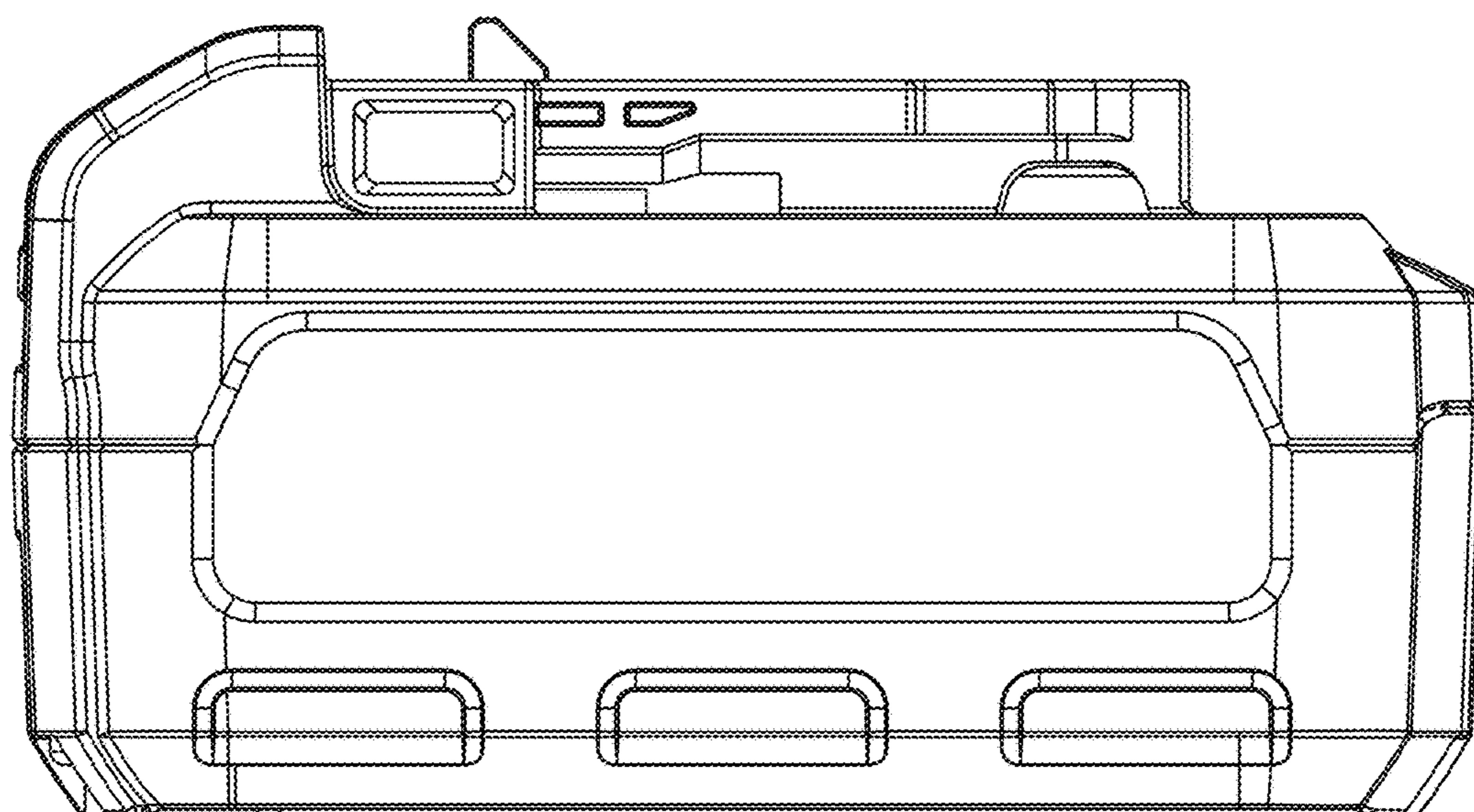


Figure 10

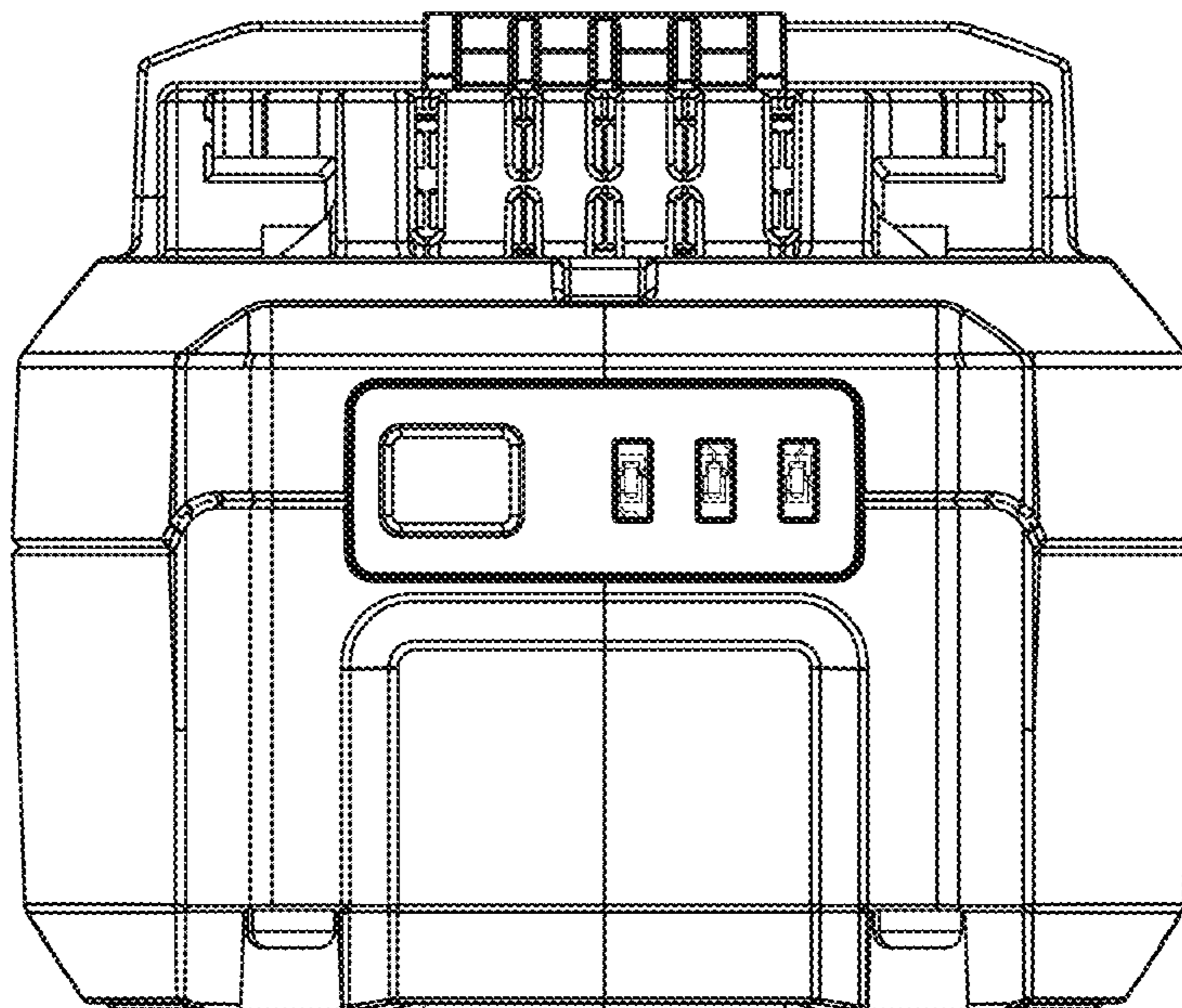


Figure 11

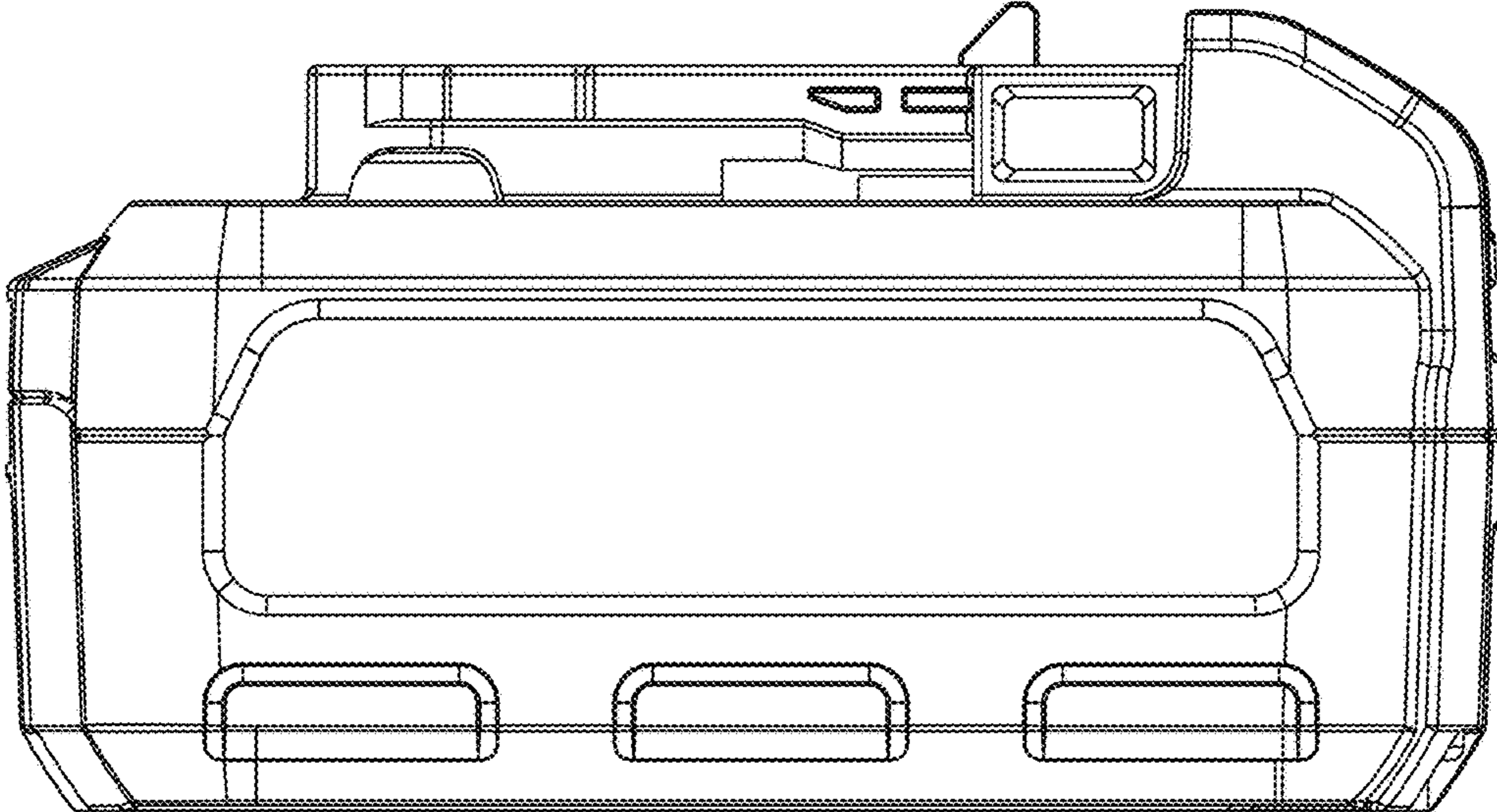


Figure 12

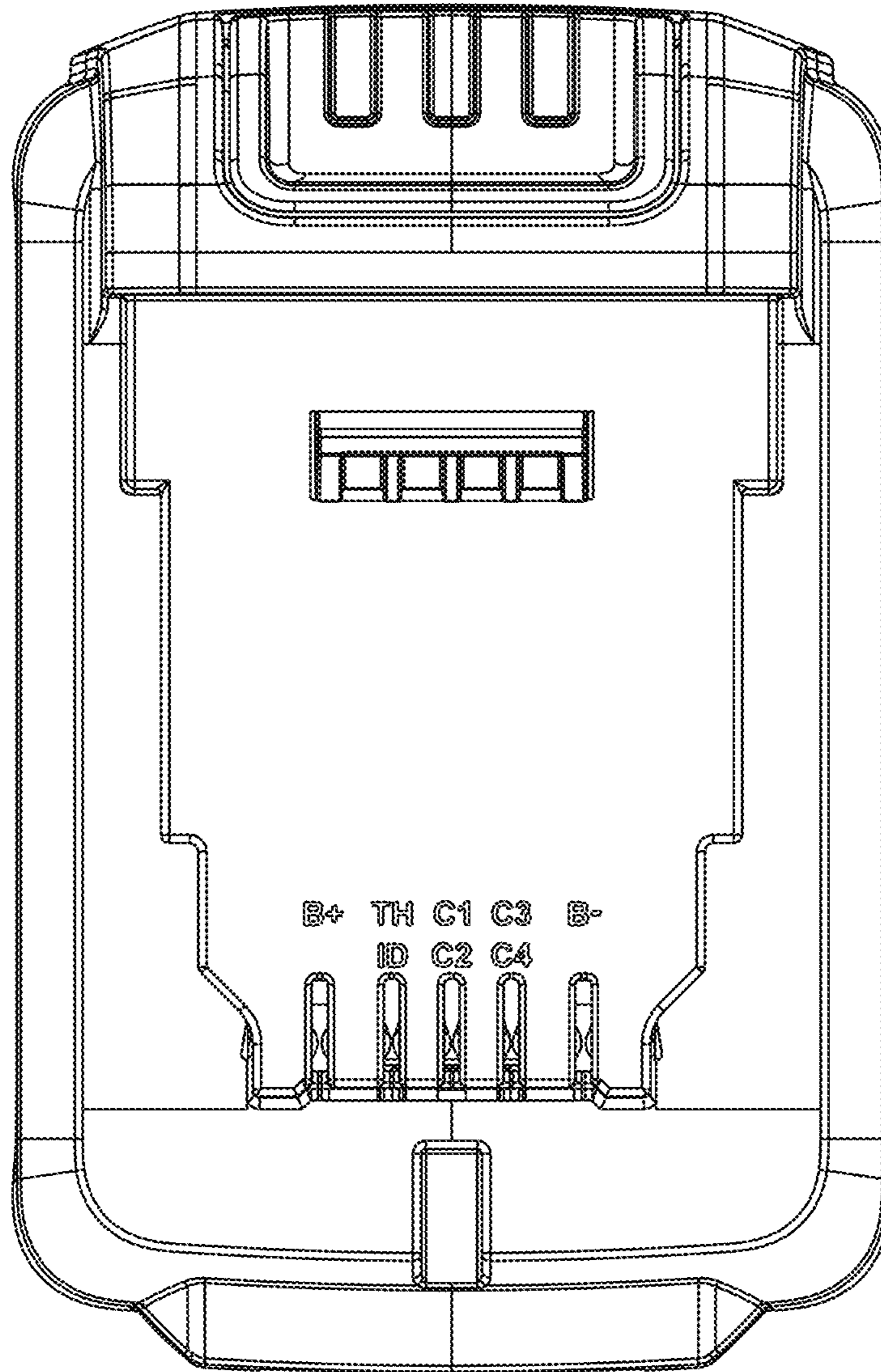


Figure 13

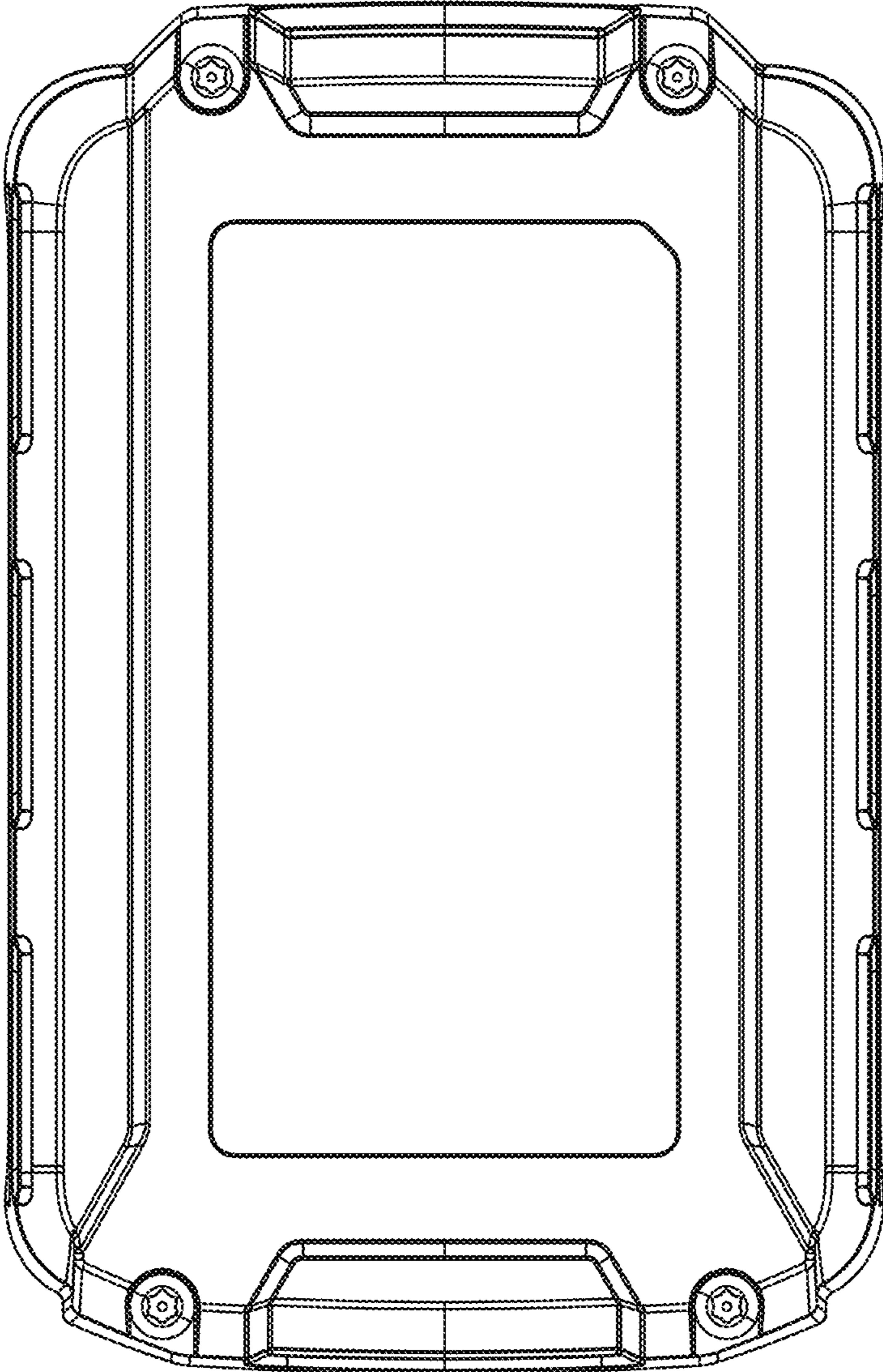


Figure 14