



US00D826149S

(12) **United States Design Patent**
Cooper

(10) **Patent No.:** **US D826,149 S**

(45) **Date of Patent:** **** Aug. 21, 2018**

(54) **BATTERY PACK**

(71) Applicant: **Black & Decker Inc.**, New Britain, CT
(US)

(72) Inventor: **Joseph B. Cooper**, Baltimore, MD
(US)

(73) Assignee: **Black & Decker Inc.**, New Britain, CT
(US)

(**) Term: **15 Years**

(21) Appl. No.: **29/581,315**

(22) Filed: **Oct. 18, 2016**

(51) **LOC (11) Cl.** **13-02**

(52) **U.S. Cl.**
USPC **D13/103**

(58) **Field of Classification Search**
USPC D13/102–106, 110, 118–119, 184
CPC Y02E 60/12; Y02E 60/122; Y02E 60/124;
Y02E 60/50; H01M 2/02; H01M 2/022;
H01M 2/0202; H01M 2/0207; H01M
2/0212; H01M 2/1061; H01M 2/1022;
H01M 2/1055; H01M 2/1066; H01M
2/105; H01M 2/204; H01M 10/4257;
H01M 10/0436; H01M 10/48
See application file for complete search history.

(56) **References Cited**

U.S. PATENT DOCUMENTS

D562,227 S *	2/2008	Yamada	D13/103
D568,239 S *	5/2008	Okada	D13/103
D589,439 S *	3/2009	Van Wambeke	D13/103
D589,440 S *	3/2009	Van Wambeke	D13/103
D589,441 S *	3/2009	Van Wambeke	D13/103
D657,307 S *	4/2012	Zhao	D13/103
D682,194 S *	5/2013	Jiang	D13/103
D684,528 S *	6/2013	Murray	D13/103

D699,670 S *	2/2014	Cooper	D13/103
D780,687 S *	3/2017	Taniguchi	D13/103
D780,688 S *	3/2017	Elder	D13/103

(Continued)

Primary Examiner — Jennifer Rivard

Assistant Examiner — Alison M Ofstun

(74) *Attorney, Agent, or Firm* — Michael Aronoff

(57) **CLAIM**

The ornamental design for a battery pack, as shown and described.

DESCRIPTION

FIG. 1 is a top, front left perspective view of a battery pack showing my new design;

FIG. 2 is a top, front right perspective view of the battery pack of FIG. 1.

FIG. 3 is a top, rear left perspective view of the battery pack of FIG. 1.

FIG. 4 is a top, rear right perspective view of the battery pack of FIG. 1.

FIG. 5 is a bottom, front left perspective view of the battery pack of FIG. 1.

FIG. 6 is a bottom, front right perspective view of the battery pack of FIG. 1.

FIG. 7 is a bottom, rear left perspective view of the battery pack of FIG. 1.

FIG. 8 is a bottom, rear right perspective view of the battery pack of FIG. 1.

FIG. 9 is a front elevation view of the battery pack of FIG. 1.

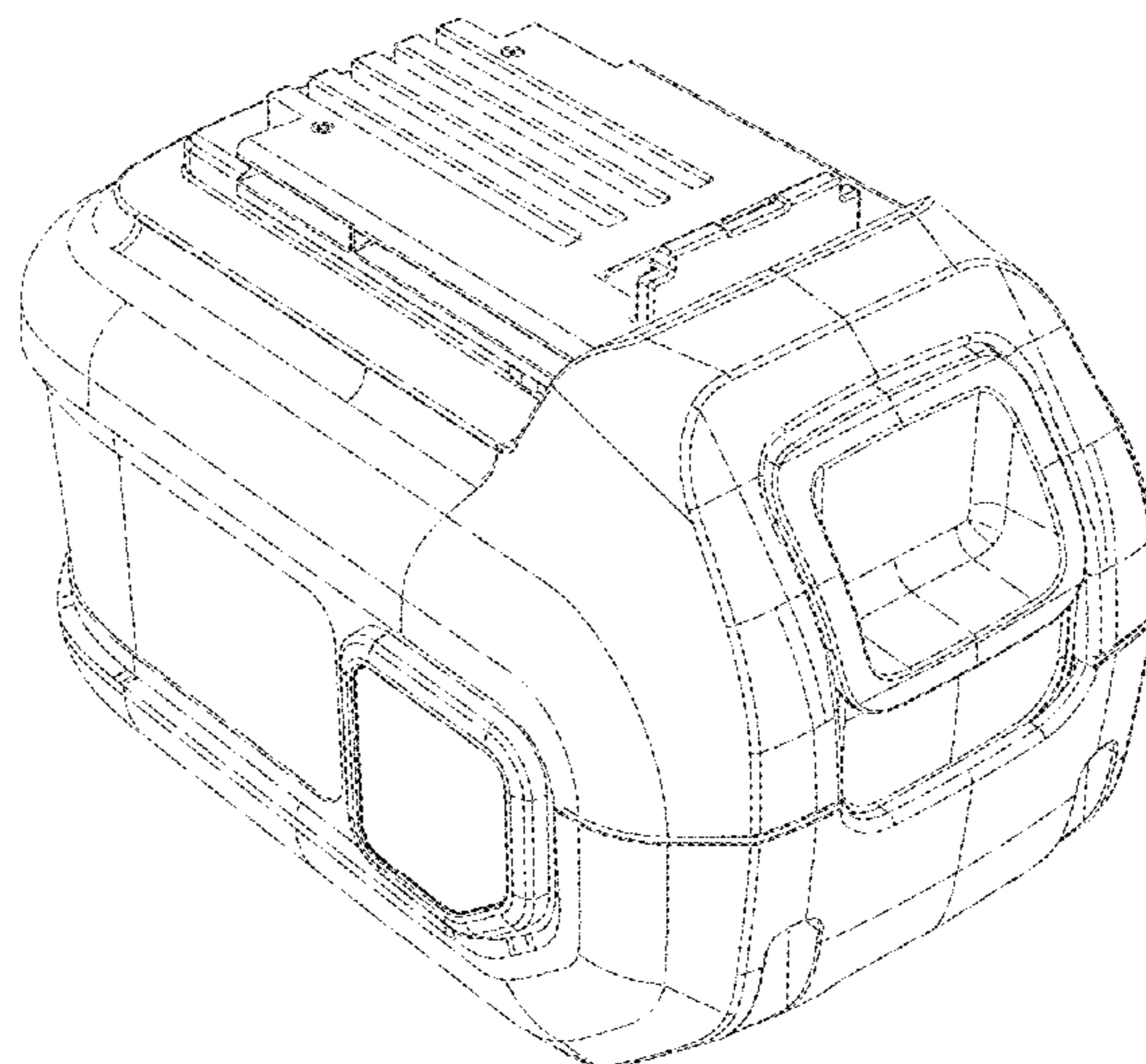
FIG. 10 is a right side elevation view of the battery pack of FIG. 1.

FIG. 11 is a rear elevation view of the battery pack of FIG. 1.

FIG. 12 is a left side elevation view of the battery pack of FIG. 1.

FIG. 13 is a top plan view of the battery pack of FIG. 1; and, FIG. 14 is a bottom plan view of the battery pack of FIG. 1.

1 Claim, 14 Drawing Sheets



(56)

References Cited

U.S. PATENT DOCUMENTS

D800,650 S * 10/2017 Itoh D13/103
D801,919 S * 11/2017 Elder D13/103

* cited by examiner

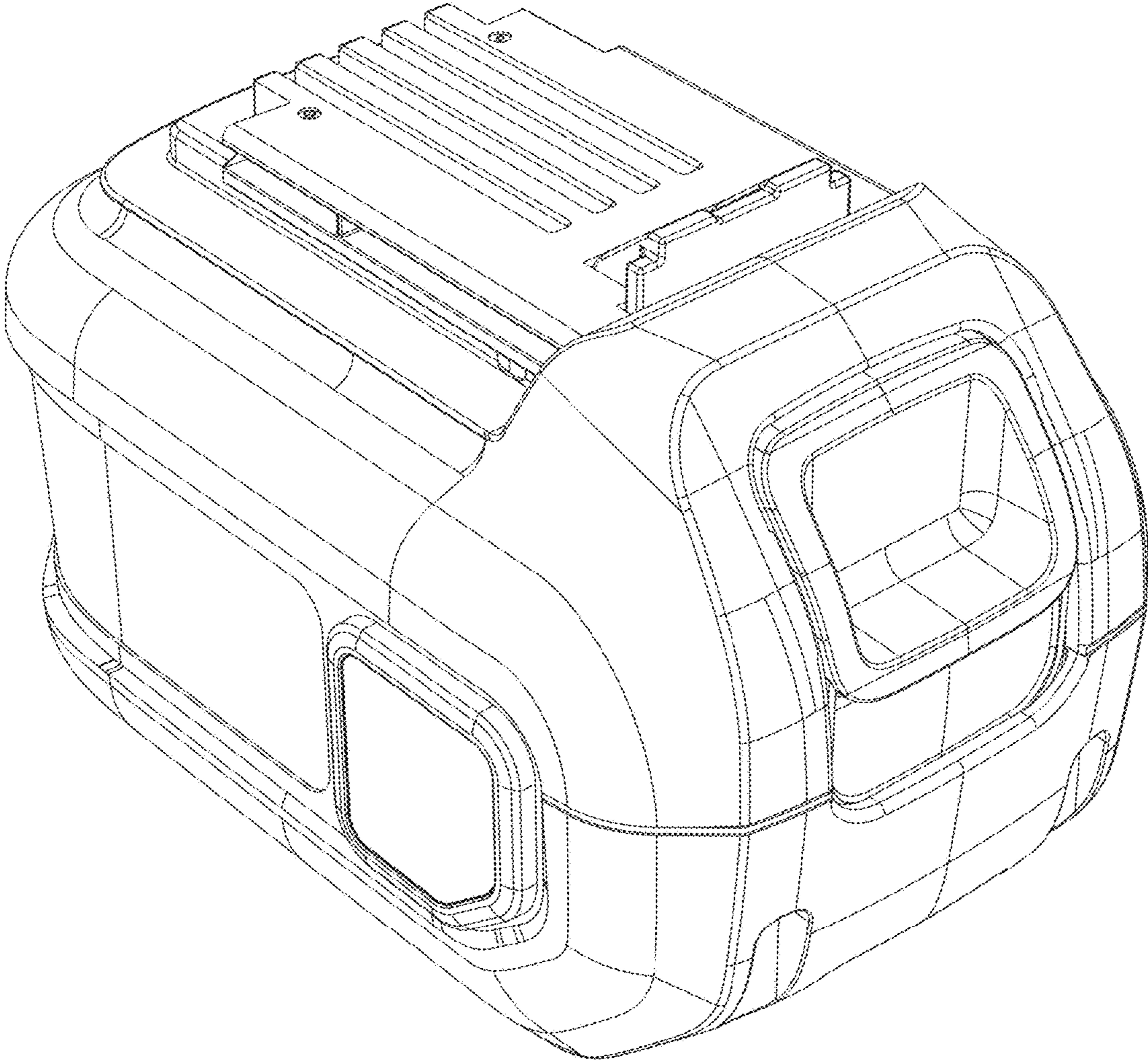


Figure 1

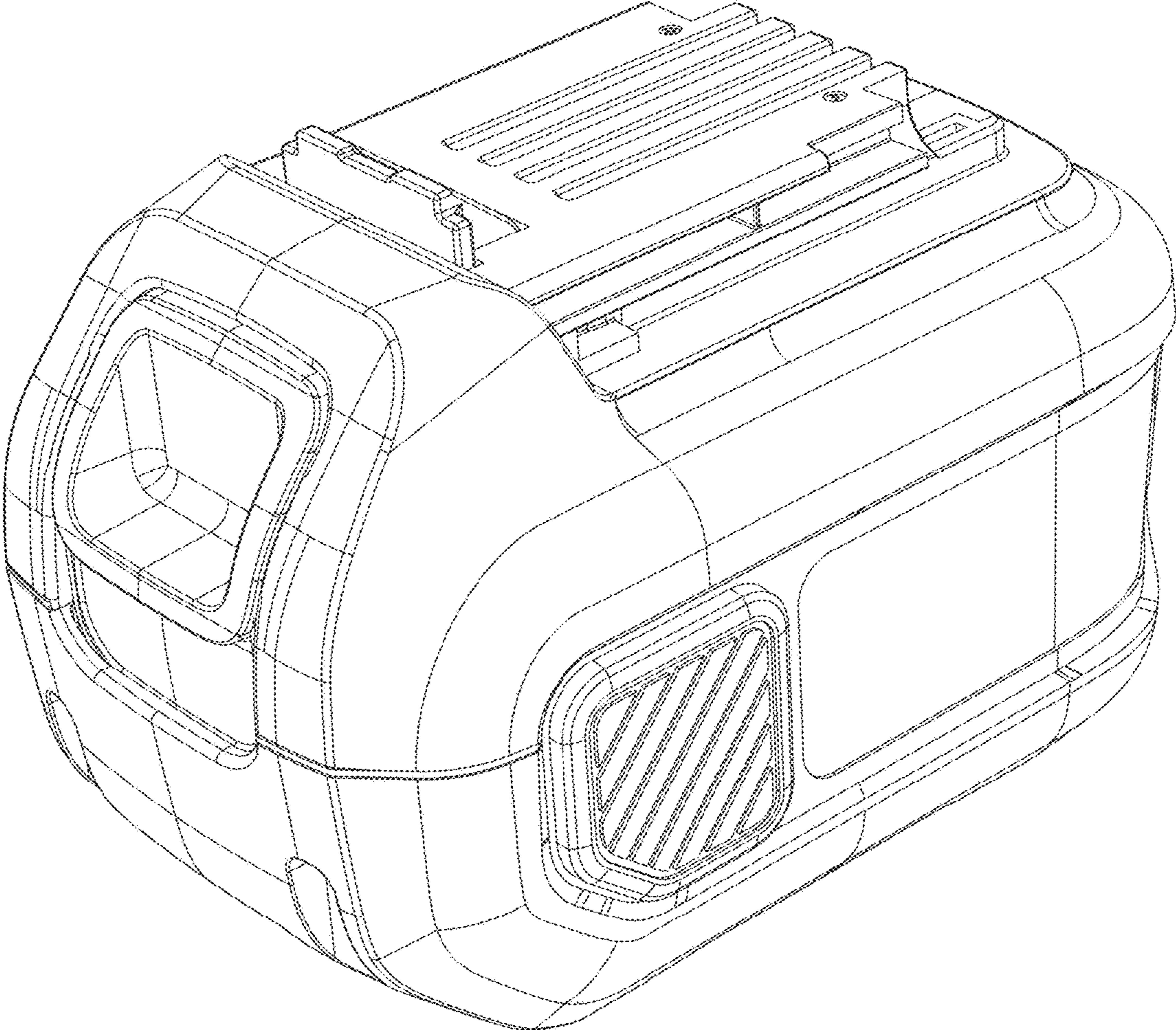


Figure 2

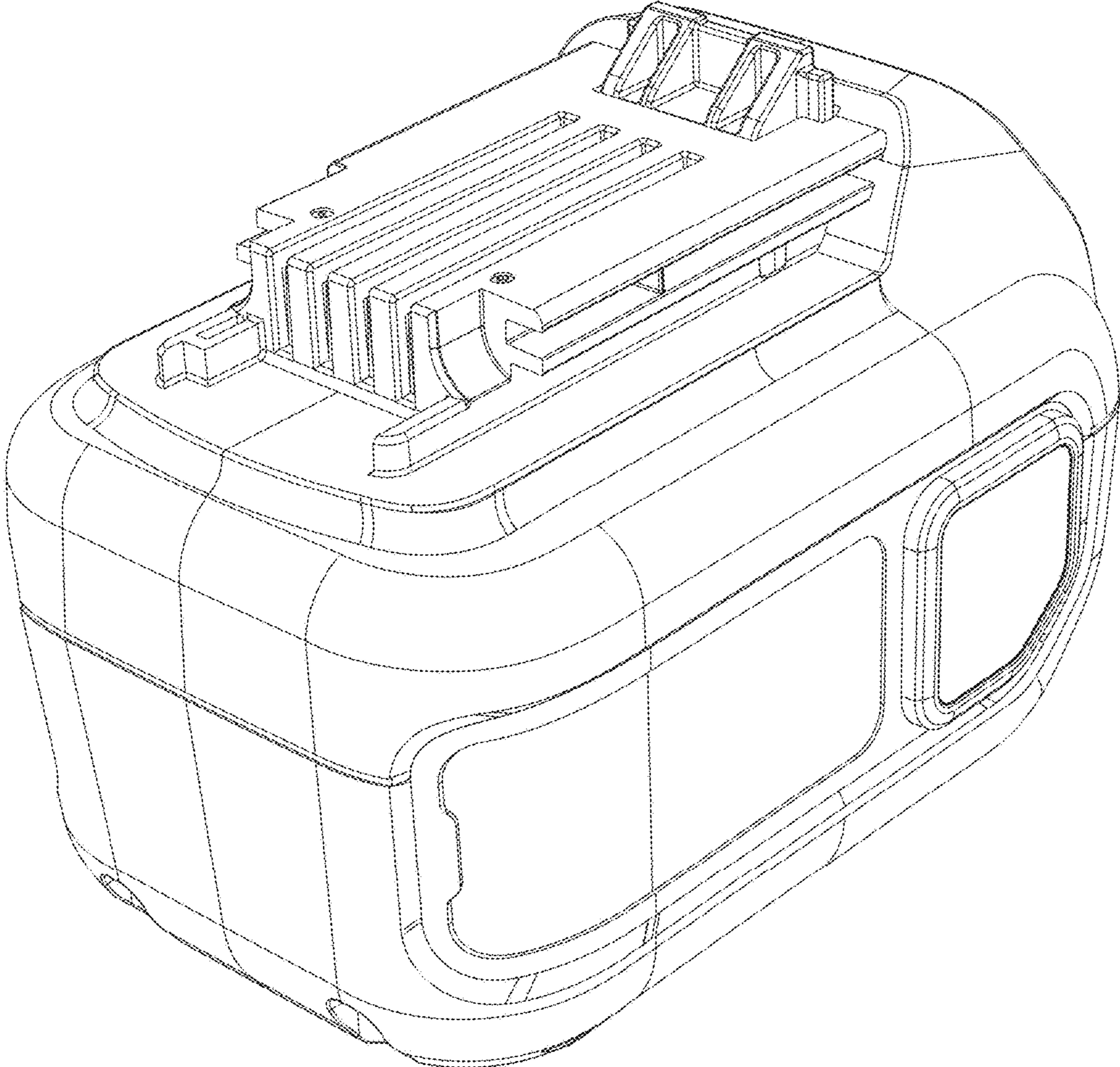


Figure 3

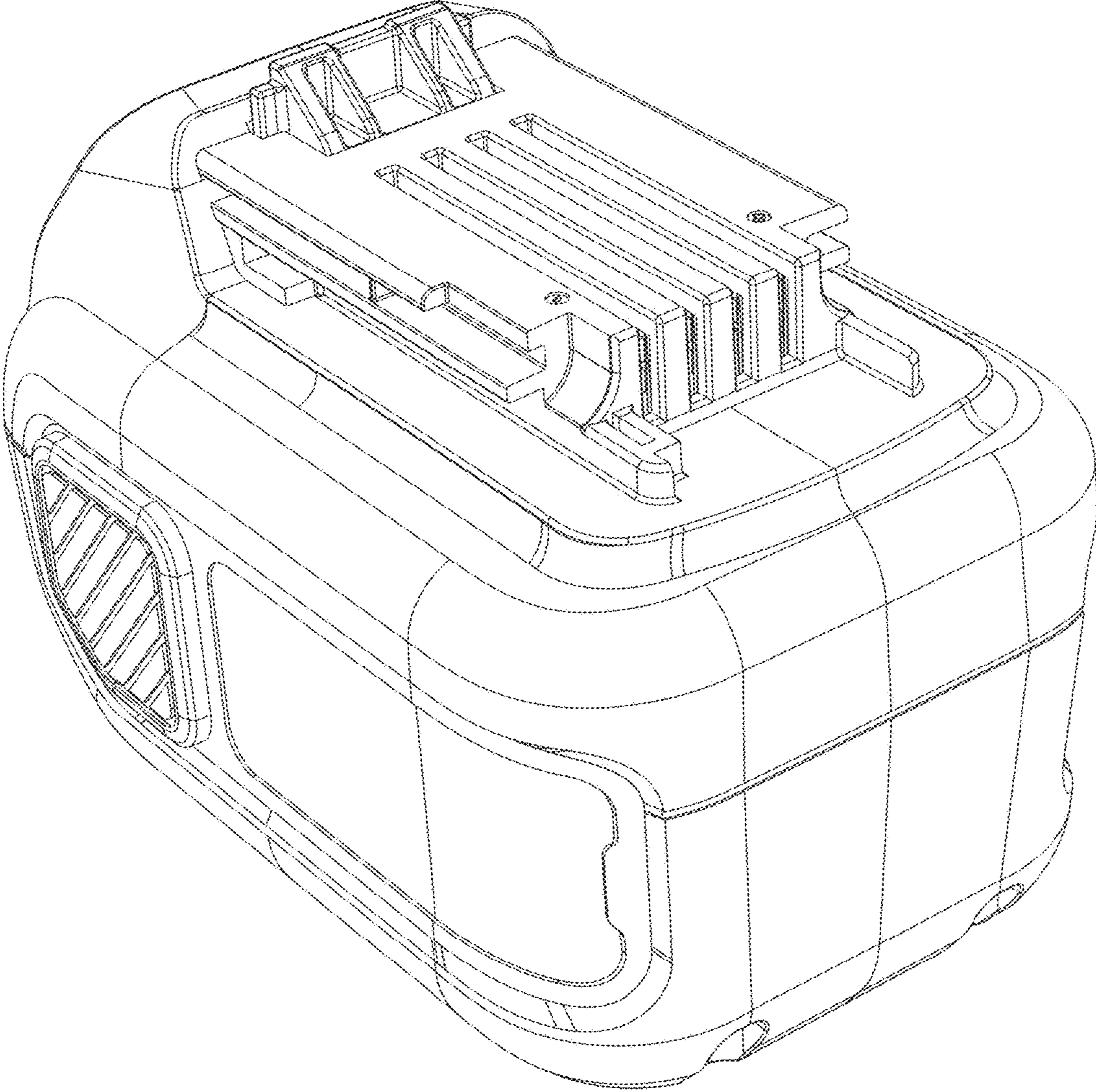


Figure 4

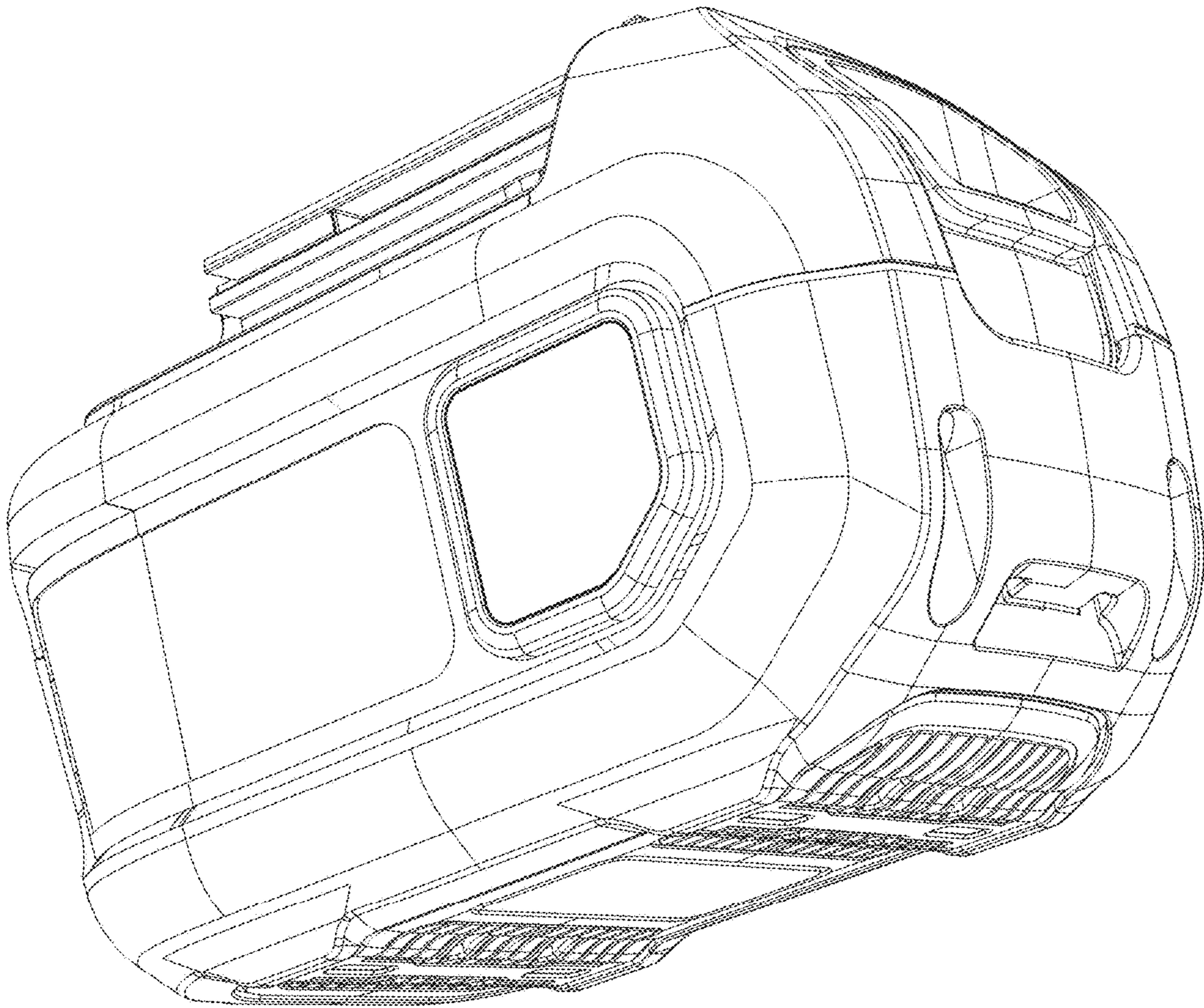


Figure 5

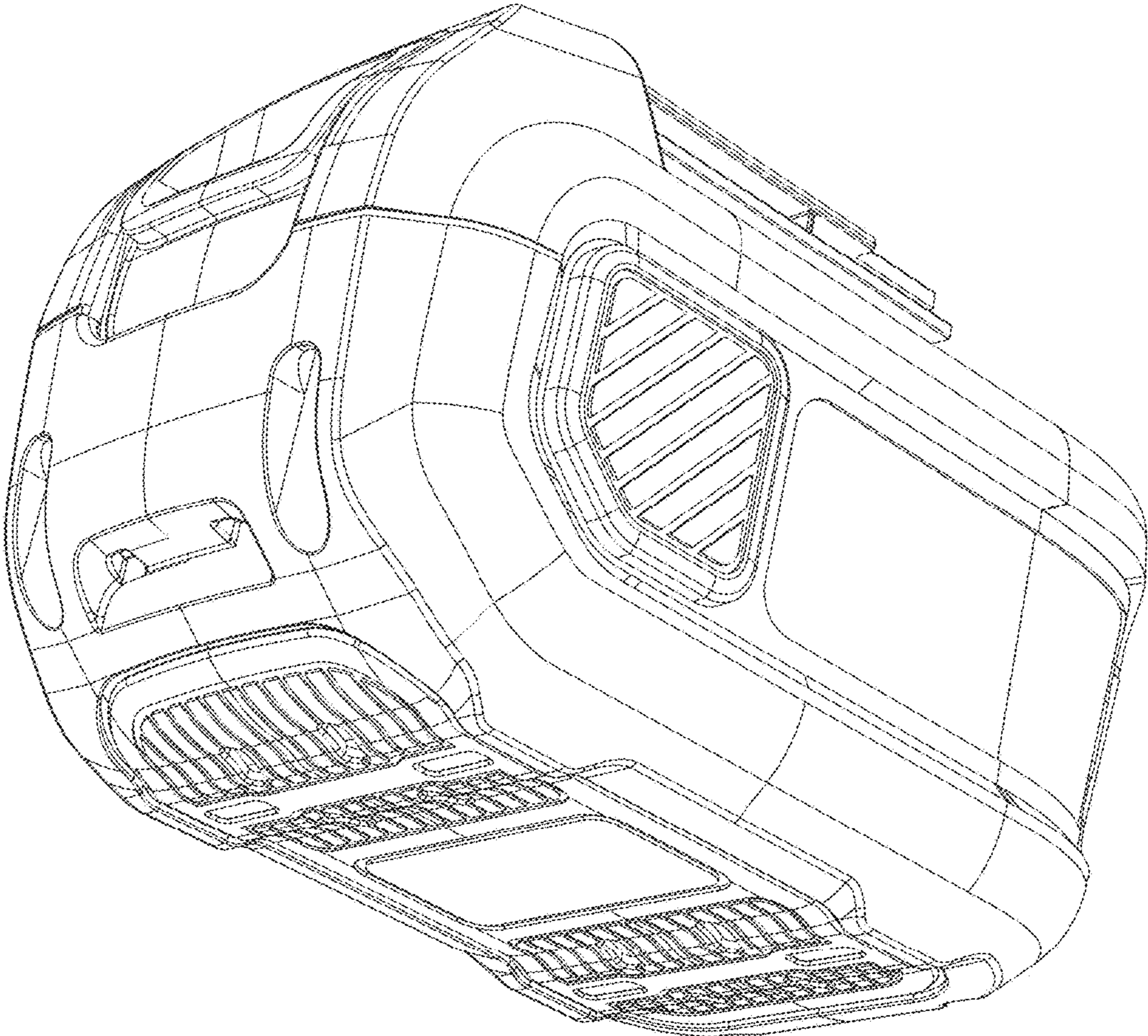


Figure 6

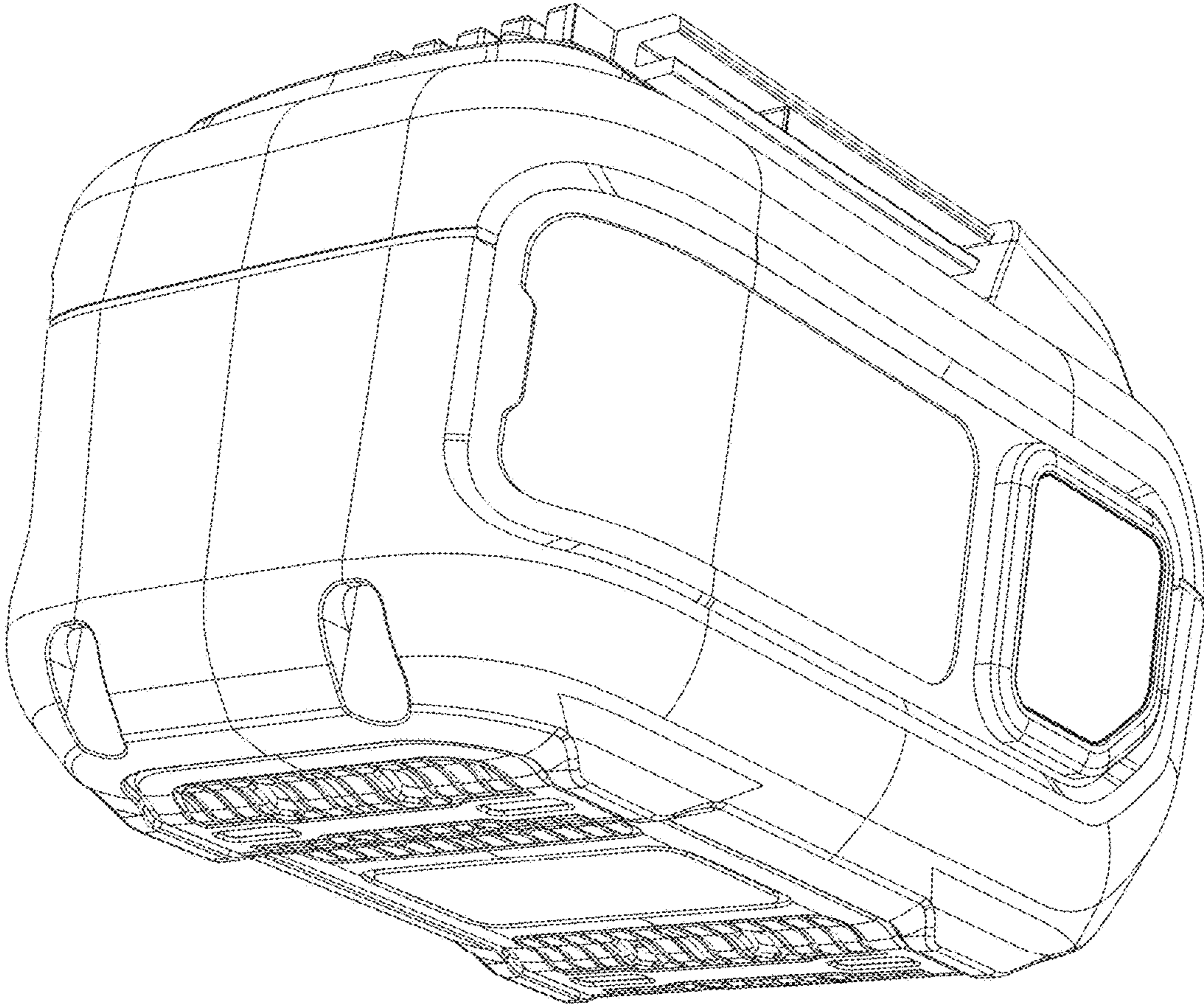


Figure 7

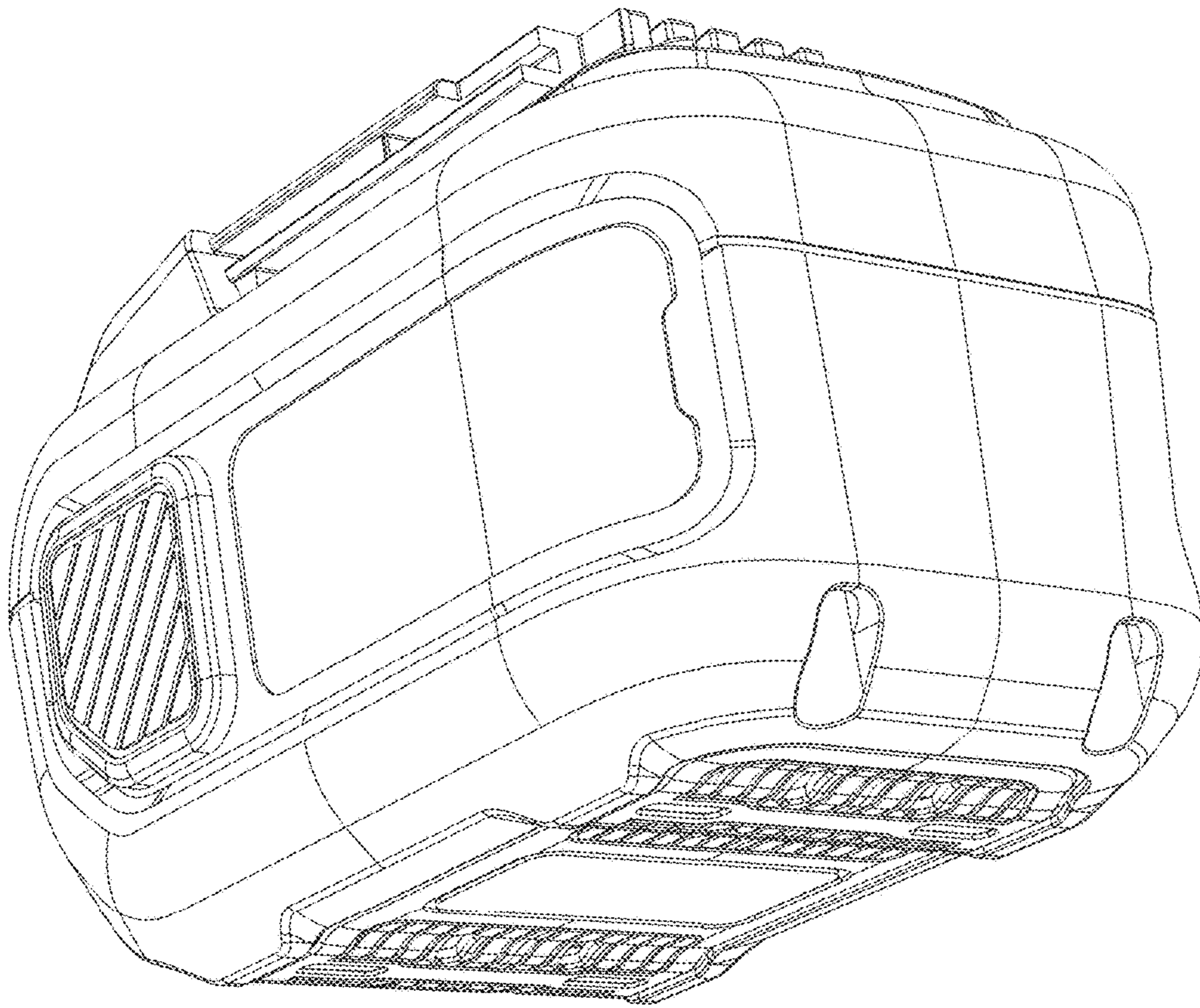


Figure 8

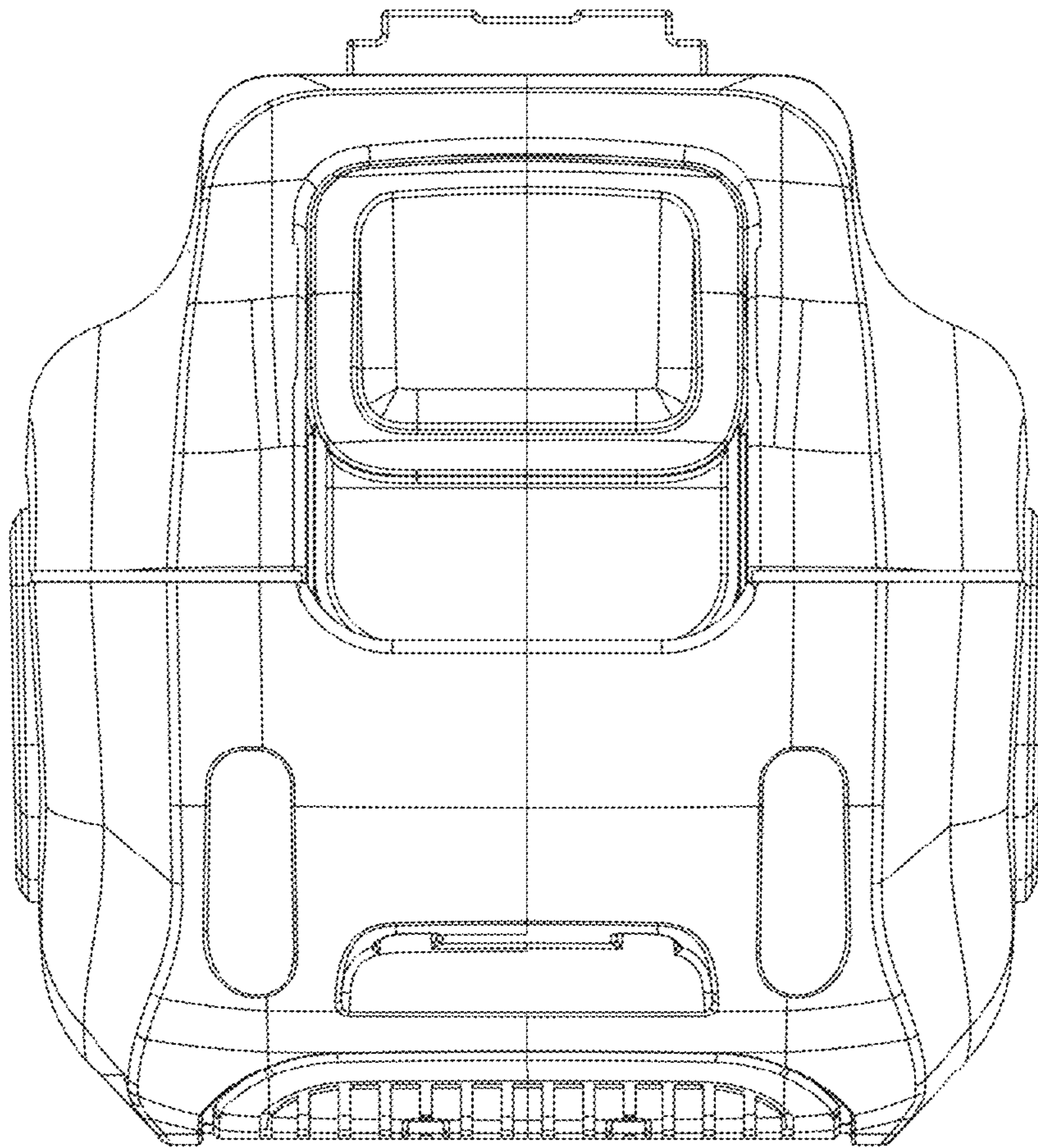


Figure 9

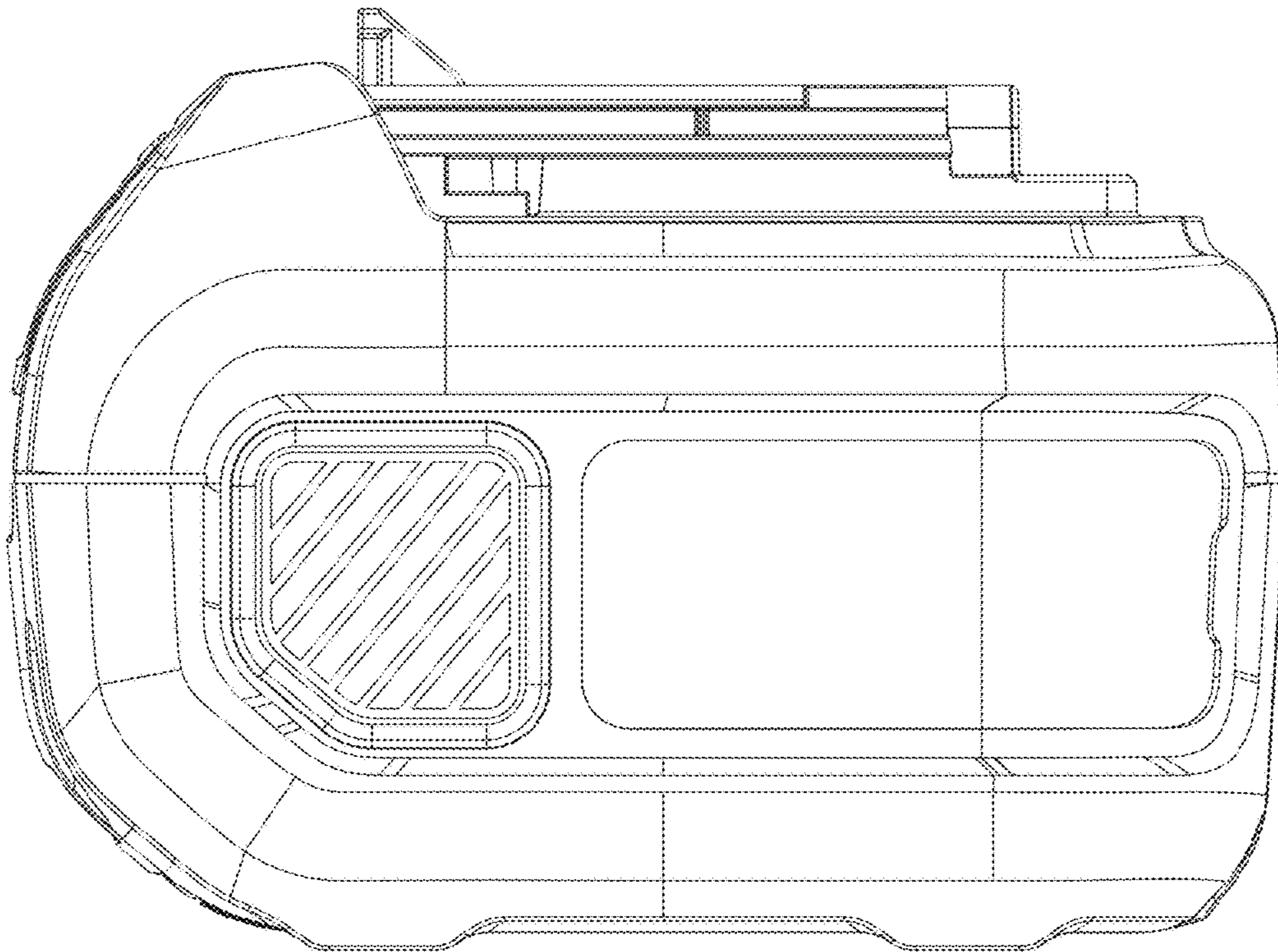


Figure 10

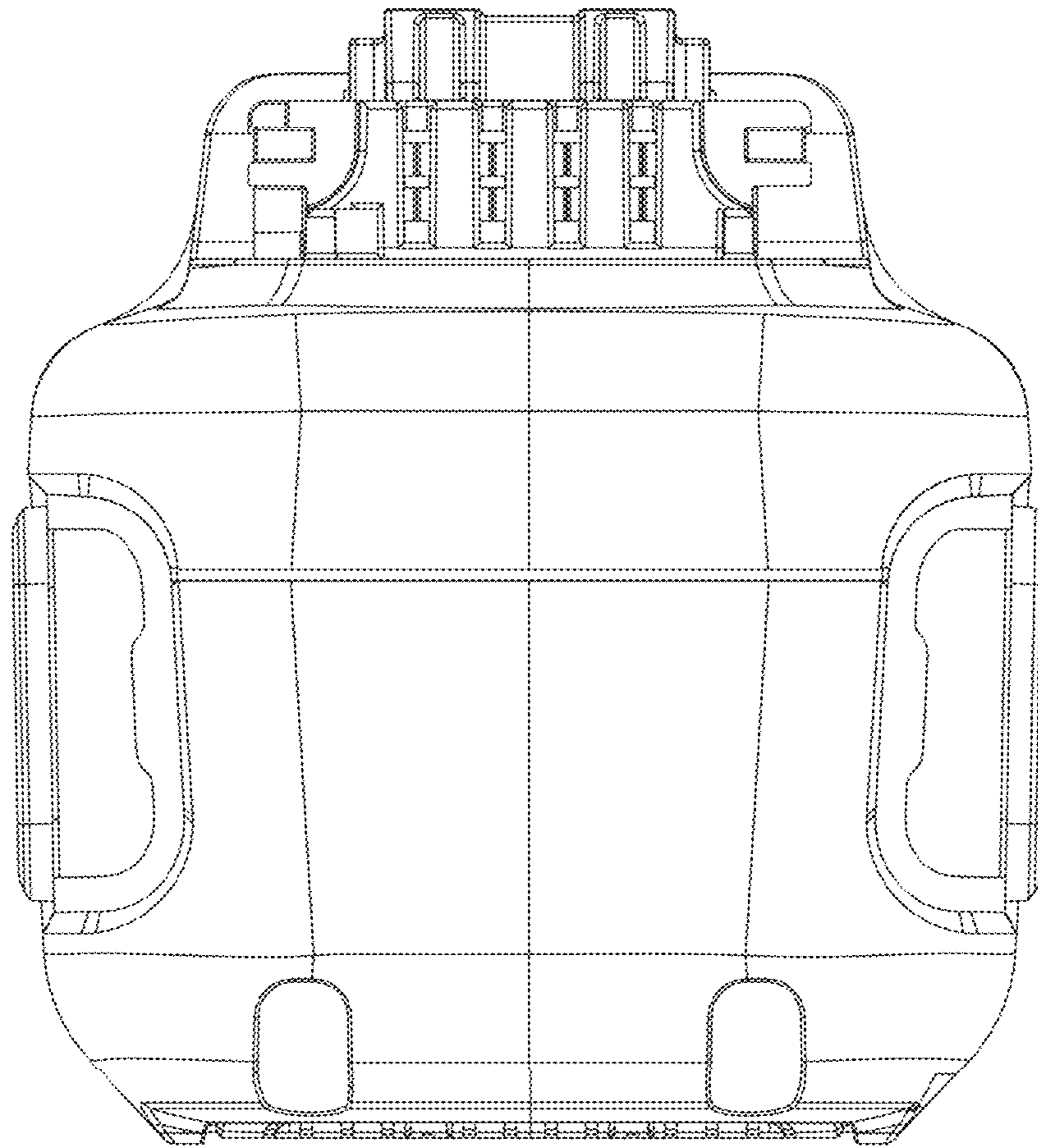


Figure 11

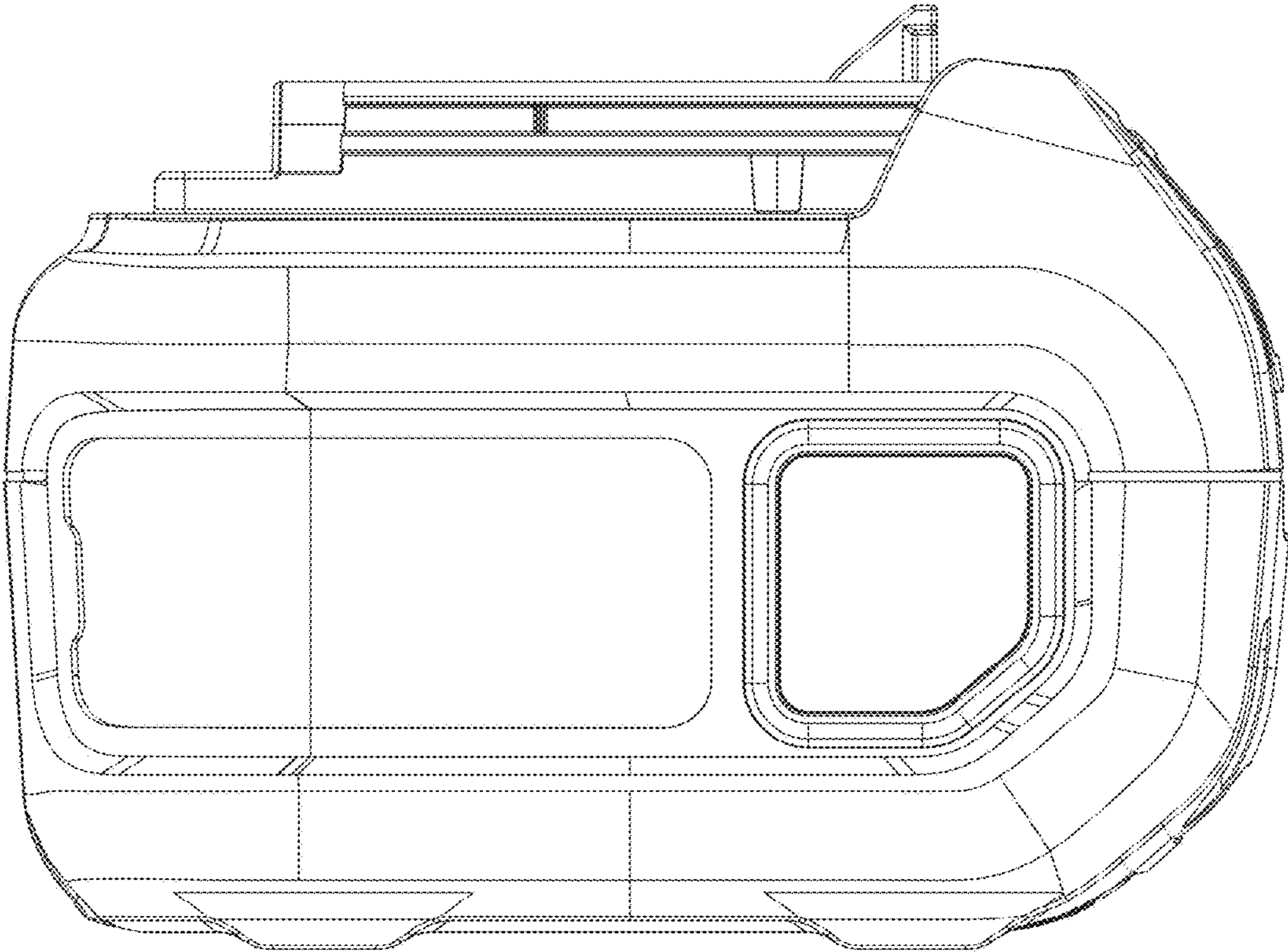


Figure 12

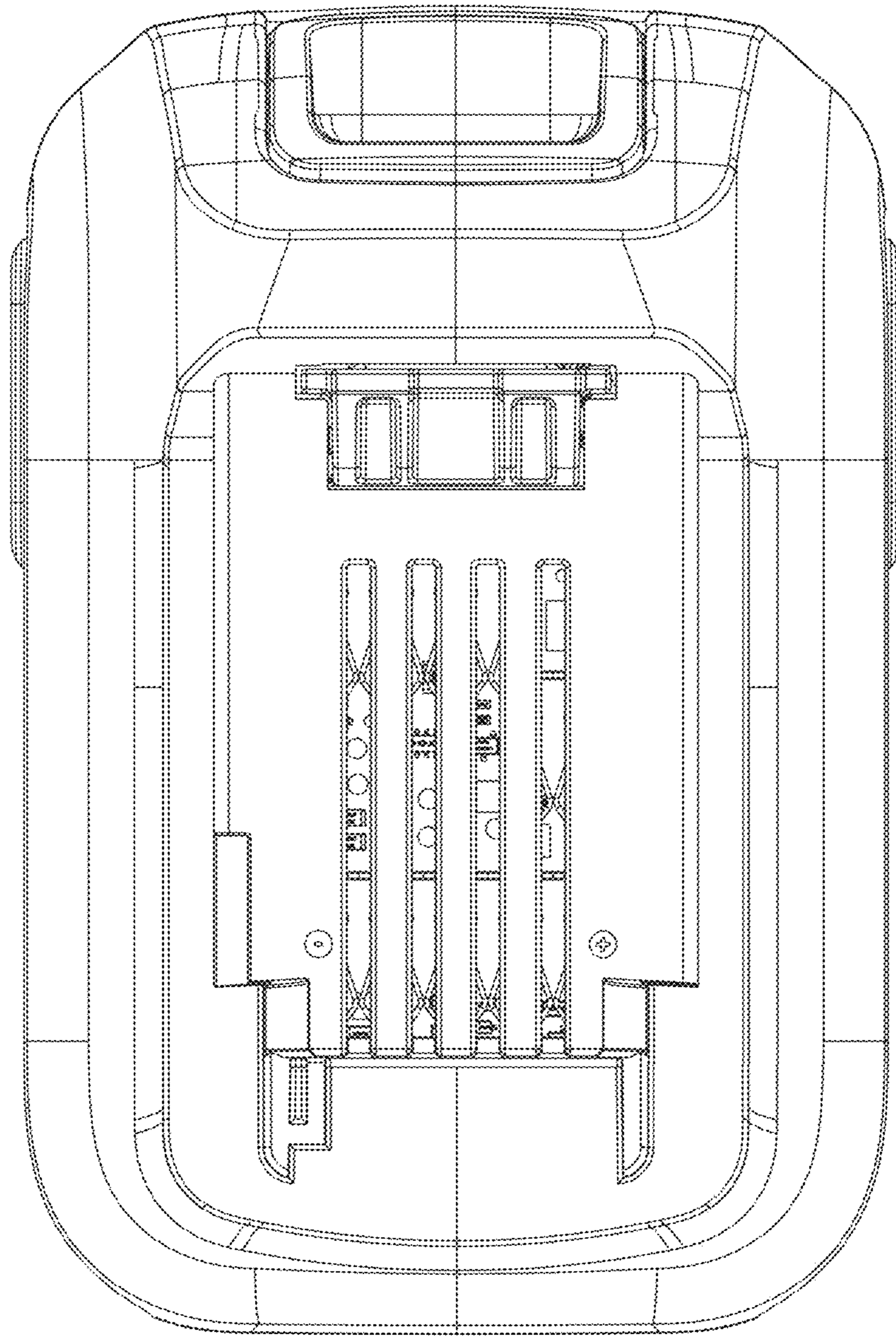


Figure 13

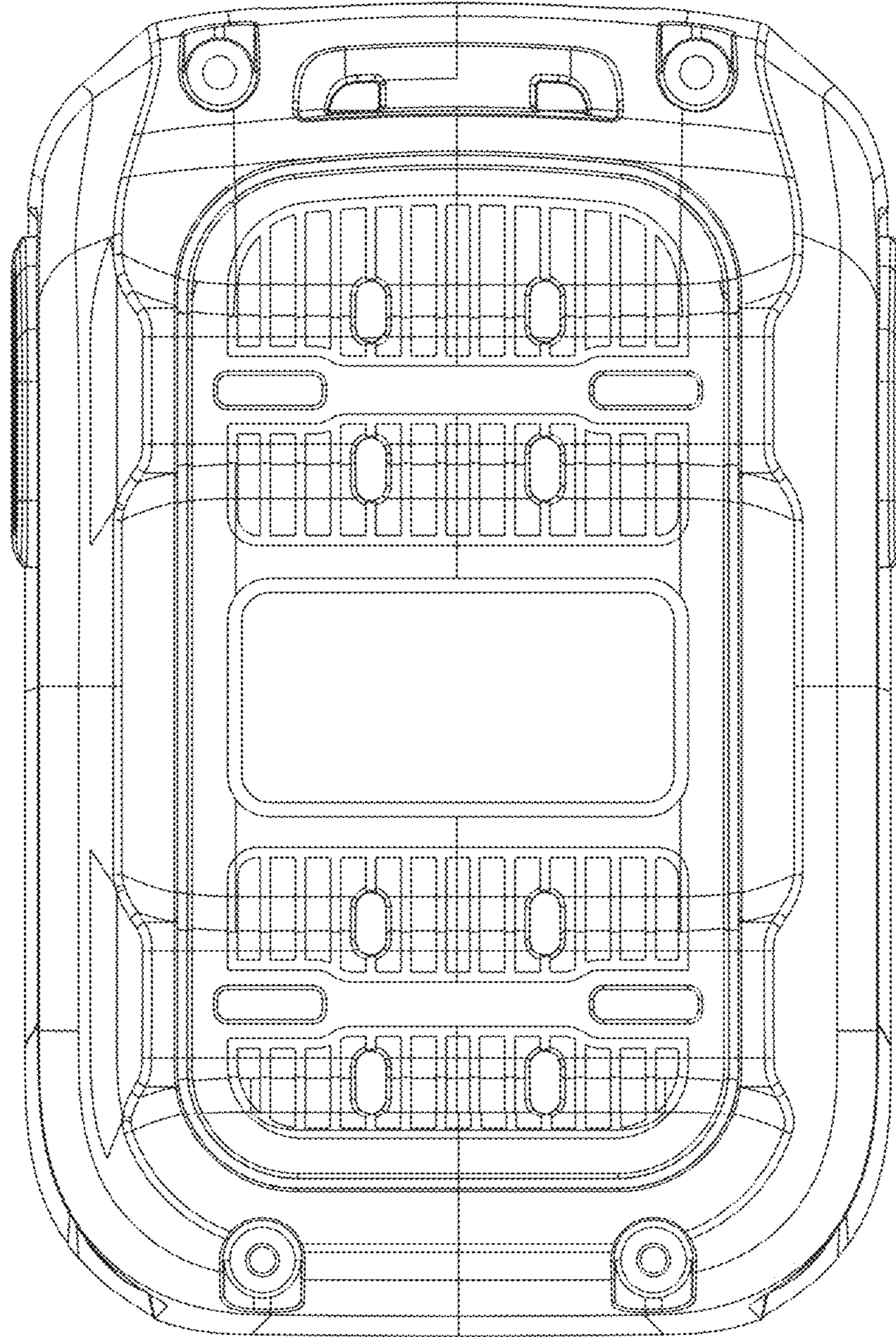


Figure 14