



US00D826147S

(12) **United States Design Patent** (10) **Patent No.:** **US D826,147 S**  
**Kim et al.** (45) **Date of Patent:** **\*\* \*Aug. 21, 2018**

(54) **BATTERY PACK**

(71) Applicant: **LG CHEM, LTD.**, Seoul (KR)

(72) Inventors: **Hyeon Kyu Kim**, Daejeon (KR); **Ki Youn Kim**, Daejeon (KR); **Jae Jung Seol**, Daejeon (KR); **Bum Hyun Lee**, Daejeon, KS (US); **Jae Ki Lee**, Daejeon (KR); **Yeo Joo Choi**, Daejeon (KR)

(73) Assignee: **LG CHEM, LTD.**, Seoul (KR)

(\*) Notice: This patent is subject to a terminal disclaimer.

(\*\*) Term: **15 Years**

(21) Appl. No.: **29/577,539**

(22) Filed: **Sep. 13, 2016**

(30) **Foreign Application Priority Data**

Mar. 15, 2016 (KR) ..... 30-2016-0012001

(51) **LOC (11) Cl.** ..... **13-02**

(52) **U.S. Cl.**  
USPC ..... **D13/103**

(58) **Field of Classification Search**  
USPC ..... D13/102–110, 118, 199, 184;  
D14/203.3–203.8, 217, 240, 248,  
D14/250–253, 432, 434, 440, 450, 496;  
D3/201, 207–209, 218, 269, 212, 301,  
D3/273, 303  
CPC ..... Y02E 60/12; Y02E 60/122; Y02E 60/124;  
Y02E 60/50; H01M 2/02; H01M 2/022;  
H01M 2/0202; H01M 2/0207; H01M  
2/0212; H01M 2/1061; H01M 2/1022;  
H01M 2/1055; H01M 2/1066; H01M  
2/105; H01M 2/204; H01M 10/4257;  
H01M 10/0436; H01M 10/48

See application file for complete search history.

(56) **References Cited**

U.S. PATENT DOCUMENTS

D347,210 S \* 5/1994 Sharpe ..... D13/164  
D362,003 S \* 9/1995 Claudio ..... D13/184  
D363,722 S \* 10/1995 Aldridge ..... D13/184  
D509,184 S \* 9/2005 Schuttler ..... D13/110

(Continued)

FOREIGN PATENT DOCUMENTS

JP 201218073 \* 7/2013  
KR 3020160011997 \* 3/2016  
KR 3020160012005 \* 3/2016

OTHER PUBLICATIONS

LG Chem Range of Battery posted by Solar Choice Staff, posted date Oct. 25, 2015, © SolarChoice.com, [online], [site visited Jun. 30, 2017]. Available from Internet, <URL: <https://www.solarchoice.net.au/blog/lg-chem-range-battery-storage-products-australia>>.\*

(Continued)

*Primary Examiner* — Cynthia Ramirez

*Assistant Examiner* — Laura H Yu

(74) *Attorney, Agent, or Firm* — Dentons US LLP

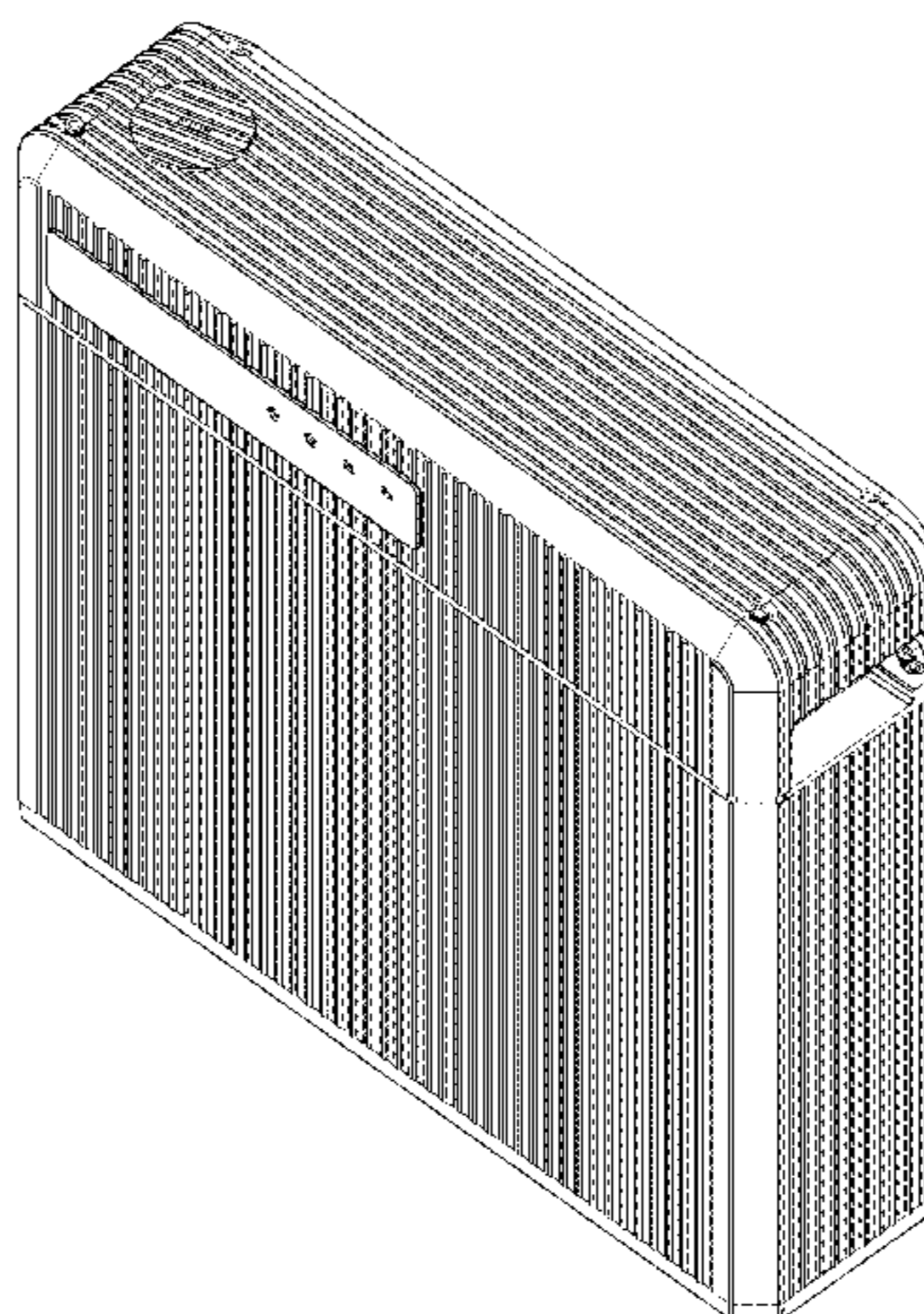
(57) **CLAIM**

We claim the ornamental design for a battery pack, as shown and described.

**DESCRIPTION**

FIG. 1 is a perspective view of the battery pack showing our new design;  
FIG. 2 is a front view of the battery pack;  
FIG. 3 is a rear view of the battery pack;  
FIG. 4 is a left side view of the battery pack;  
FIG. 5 is a right side view of the battery pack;  
FIG. 6 is a top plan view of the battery pack; and,  
FIG. 7 is a bottom plan view of the battery pack.

(Continued)



The broken lines in the figures illustrating portions of the battery pack form no part of the claimed design.

**1 Claim, 6 Drawing Sheets**

(56)

**References Cited**

U.S. PATENT DOCUMENTS

D602,859	S	*	10/2009	Kaiser	.....	D13/101
D731,412	S	*	6/2015	Gao	.....	D13/103
D768,070	S	*	10/2016	Kim	.....	D13/103
D768,071	S	*	10/2016	Kim	.....	D13/103
D768,072	S	*	10/2016	Kim	.....	D13/103
D768,073	S	*	10/2016	Kim	.....	D13/103
D789,899	S	*	6/2017	von der Lippe	.....	D13/184
2013/0316212	A1	*	11/2013	Lee	.....	H01M 2/0245 429/99
2013/0323551	A1	*	12/2013	Lee	.....	H01M 2/1077 429/83
2017/0069892	A1	*	3/2017	Bohney	.....	H01M 2/14

OTHER PUBLICATIONS

Everything you Need to know about Tesla posted by Danielle Muoio, posted date Nov. 19, 2016, © BusinessInsider.com, [online], [site visited Jun. 30, 2017]. Available from Internet, <URL: [http://](http://www.businessinsider.com/everything-about-tesla-powerwall-2-battery-2016-11)

[www.businessinsider.com/everything-about-tesla-powerwall-2-battery-2016-11](http://www.businessinsider.com/everything-about-tesla-powerwall-2-battery-2016-11)>.\*

Battery Chemistry Types posted by Solar Choice Staff, posted date Jul. 6, 2016, © SolarChoice.com, [online], [site visited Jun. 30, 2017]. Available from Internet, <URL: <https://www.solarchoice.net.au/blog/battery-types-home-energy-storage>>.\*

LG Chem Home Storage, posted date Sep. 8, 2016 © PV Europe, [online], [site visited Jun. 30, 2017]. Available from Internet, <URL: <http://www.pveurope.eu/Products/Storage/Batteries/LG-Chem-presents-home-storage-series-with-48-and-400-Volts>>.\*

Power Option Panasonic, posted date Mar. 3, 2016 © Newsroom Global, [online], [site visited Jun. 30, 2017]. Available from Internet, <URL: <http://news.panasonic.com/global/topics/2016/44857.html>>.\*

Award 2016 Winner, posted by Intersolar posted date Jun. 29, 2016 © YouTube.com, [online], [site visited Jun. 30, 2017]. Available from Internet, <URL: <https://www.youtube.com/watch?v=7zxsUXeFBfE>>.\*

Panasonic Tests Solar Battery, posted by Lindsay Handmer posted date Jun. 3, 2015 © Gizmodo.com, [online], [site visited Jun. 30, 2017]. Available from Internet, <URL: <https://www.gizmodo.com.au/2015/06/panasonic-tests-solar-battery-storage-system-in-australia/>>.\*

LG Chem Manual, posted by LG Chem posted date unknown © LGChem.com, [online], [site visited Jun. 30, 2017]. Available from Internet, <URL: [http://www.lgchem.com/upload/file/product/ES-S\\_LGChem\\_ENG\[0\].pdf](http://www.lgchem.com/upload/file/product/ES-S_LGChem_ENG[0].pdf)>.\*

\* cited by examiner

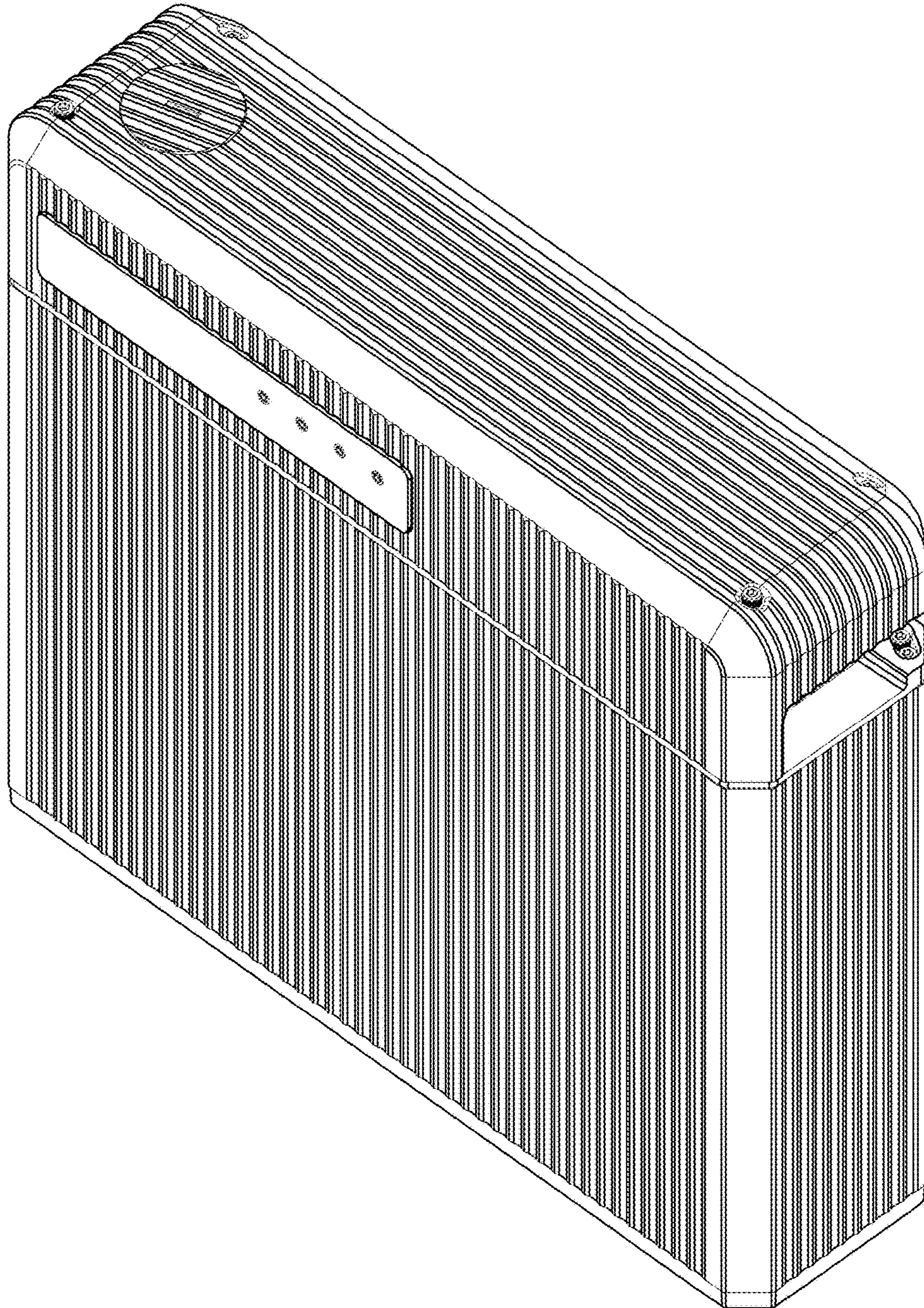


FIG. 1

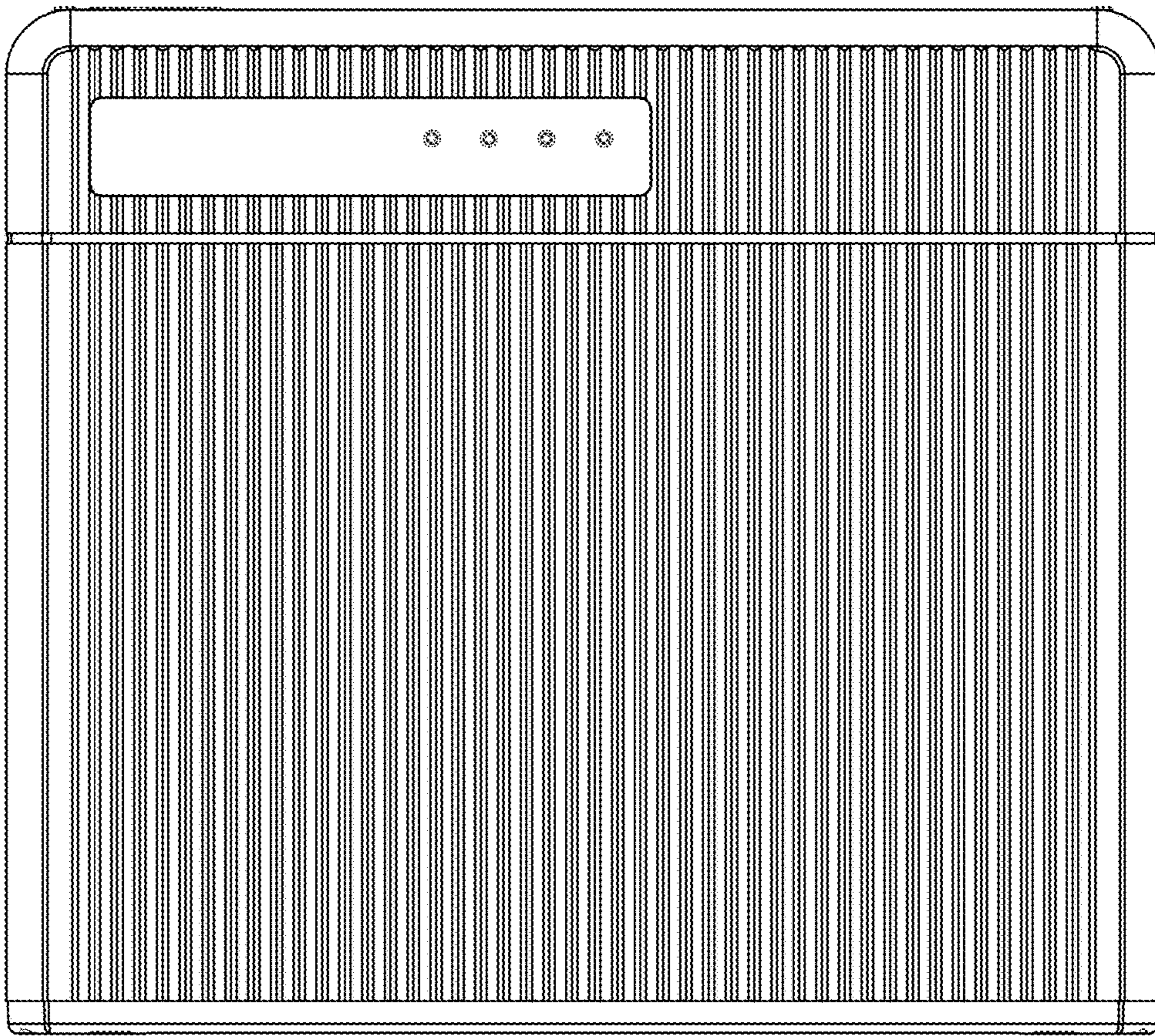


FIG. 2

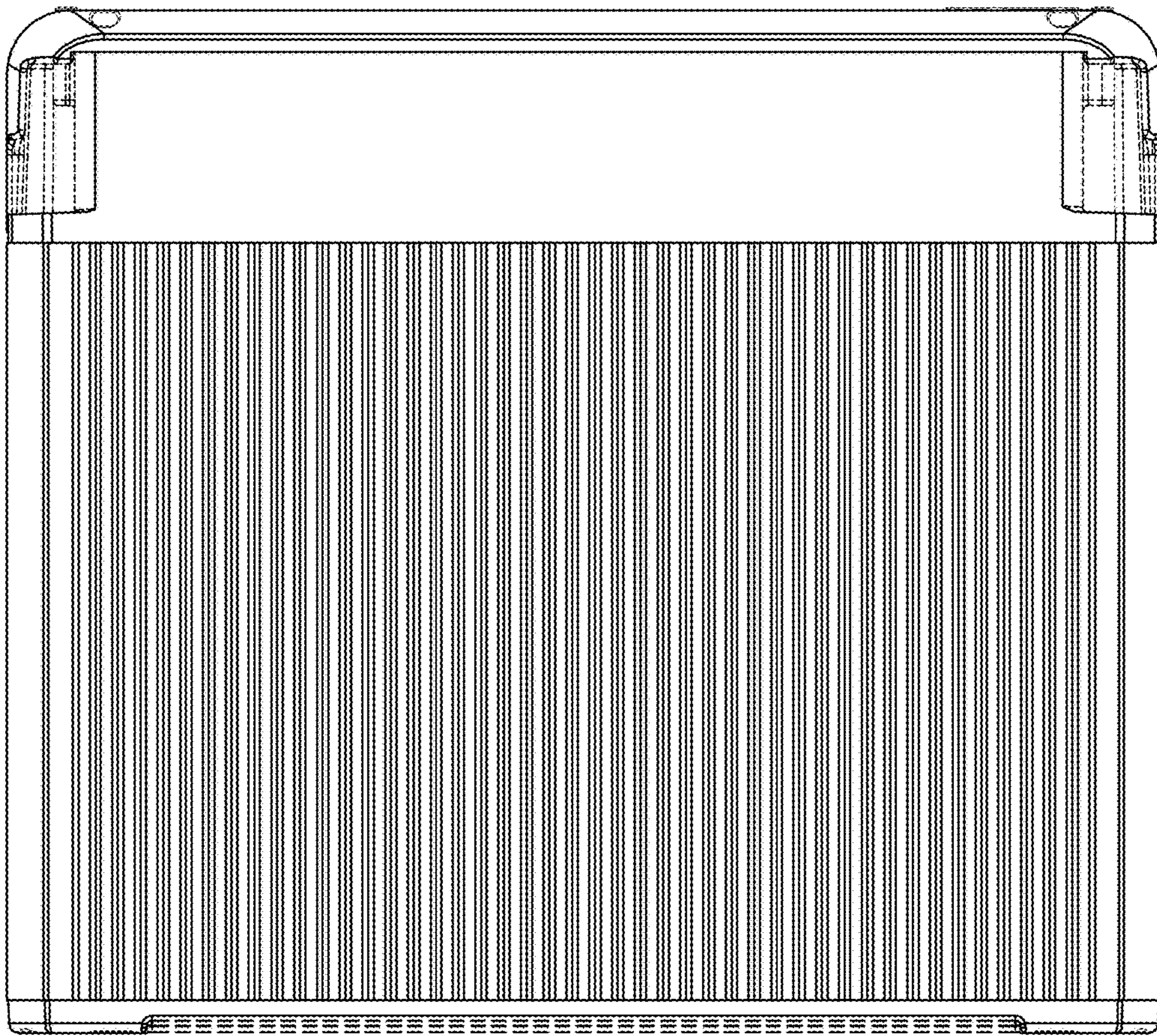
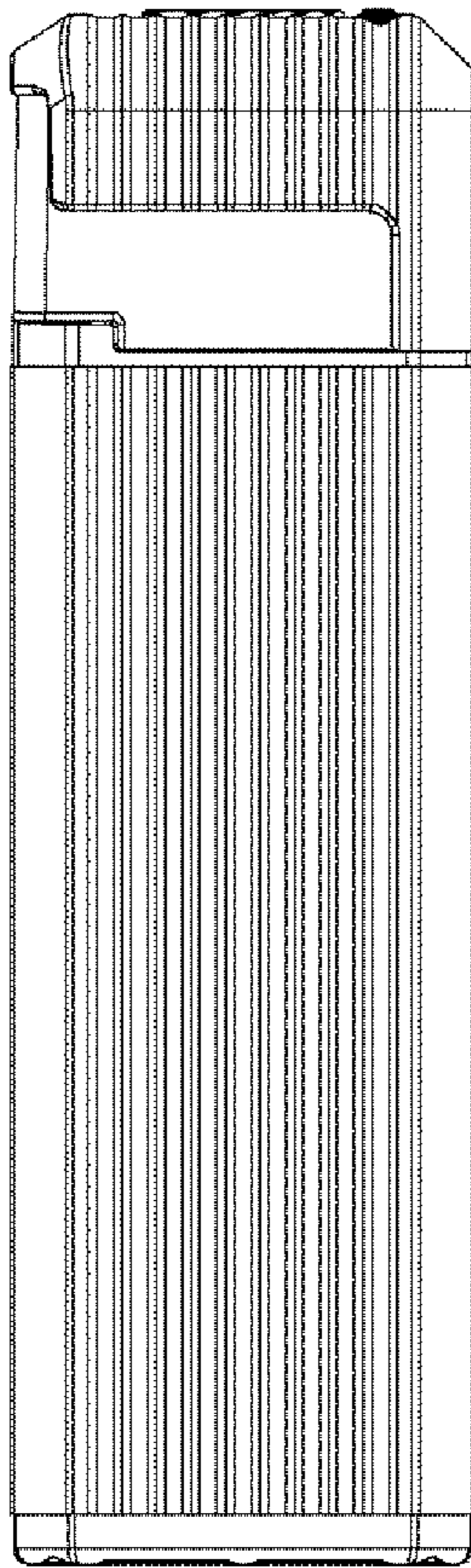


FIG. 3

FIG. 4



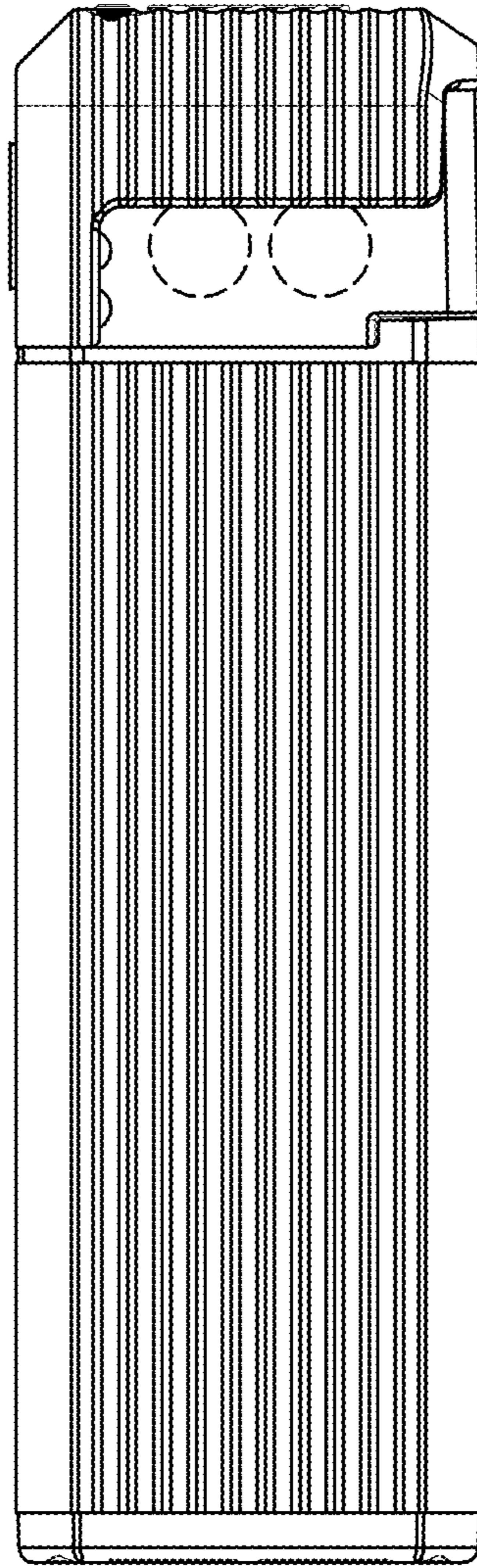


FIG. 5

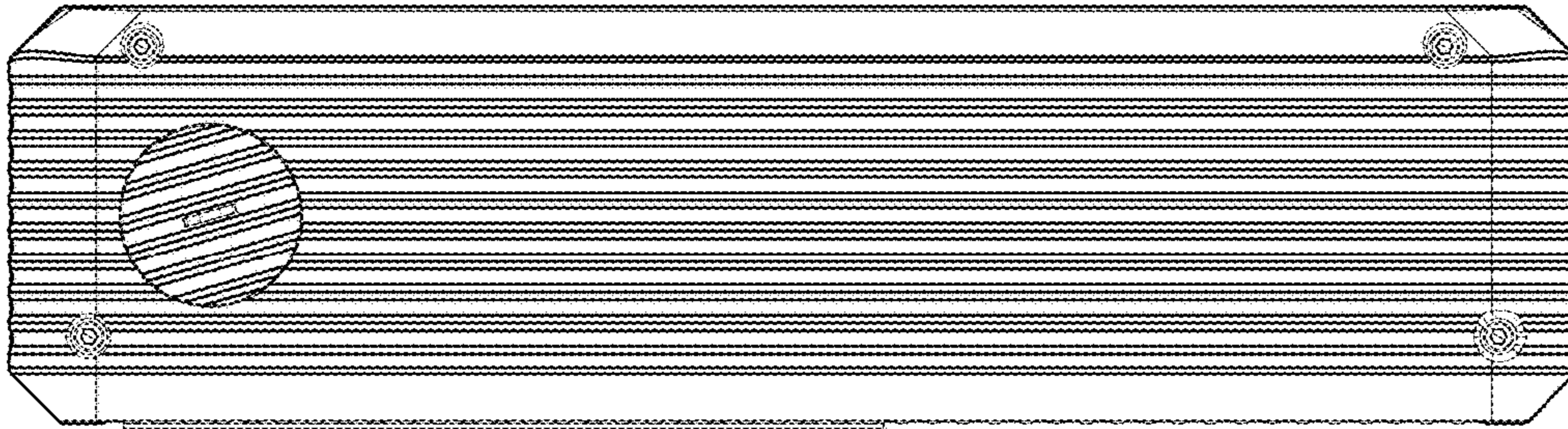


FIG. 6

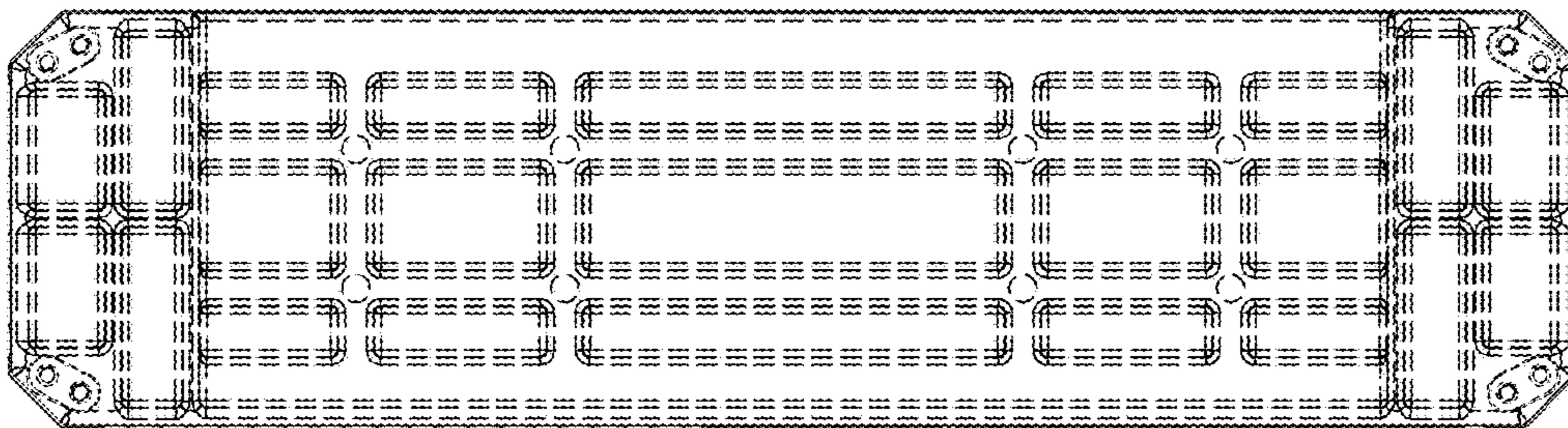


FIG. 7