



US00D826140S

(12) **United States Design Patent** (10) **Patent No.:** **US D826,140 S**  
**Sprowl et al.** (45) **Date of Patent:** **\*\* Aug. 21, 2018**

(54) **TIRE TREAD FOR A MODEL VEHICLE**  
(71) Applicant: **TRAXXAS LP**, McKinney, TX (US)  
(72) Inventors: **Jory Sprowl**, Wolfe City, TX (US);  
**Otto Karl Allmendinger**, Rowlett, TX (US)

D483,718 S 12/2003 Hutz  
D487,057 S 2/2004 Rooney et al.  
D492,644 S 7/2004 Maxwell  
D492,931 S 7/2004 Maxwell et al.  
(Continued)

(73) Assignee: **Traxxas LP**, McKinney, TX (US)

(\*\*) Term: **15 Years**

(21) Appl. No.: **29/591,499**

(22) Filed: **Jan. 20, 2017**

(51) **LOC (11) Cl.** ..... **12-15**

(52) **U.S. Cl.**  
USPC ..... **D12/556**

(58) **Field of Classification Search**  
USPC ..... D12/533-567  
CPC ..... B60C 11/0302; B60C 2011/0386; B60C  
2011/0388

See application file for complete search history.

(56) **References Cited**

**U.S. PATENT DOCUMENTS**

D208,685 S	9/1967	Evans, Jr.	
D260,012 S	7/1981	Candiliotis	
D261,257 S	10/1981	Guidry	
D296,544 S	7/1988	Matsushita et al.	
D310,985 S *	10/1990	Covert	D12/567
D313,582 S *	1/1991	Tsutsumi	D12/550
D316,689 S	5/1991	Fujiki	
5,259,429 A	11/1993	Harms	
D379,442 S	5/1997	Ratliff, Jr.	
D384,013 S	9/1997	Thomas	
D391,211 S	2/1998	Maxwell	
D400,141 S	10/1998	Maxwell	
D428,587 S	7/2000	Maxwell	
6,142,200 A	11/2000	Feider et al.	
D441,697 S	5/2001	Allison	
D445,379 S	7/2001	Guspodin et al.	
D445,381 S	7/2001	Guspodin et al.	
D456,344 S	4/2002	Rooney	

**OTHER PUBLICATIONS**

“Goodyear Tires, “Wrangler MT/R” web page;[http://www.goodyeartires.com/goodyeartiresselector/display\\_tire.jsp?prodline=Wrangler+MT%2FR&mrktarea=Light+Truck&treadwidth=&aspectratio=&rimdiameter=&sidewall](http://www.goodyeartires.com/goodyeartiresselector/display_tire.jsp?prodline=Wrangler+MT%2FR&mrktarea=Light+Truck&treadwidth=&aspectratio=&rimdiameter=&sidewall)”.

(Continued)

*Primary Examiner* — George D Kirschbaum

*Assistant Examiner* — Joseph J Kukella

(74) *Attorney, Agent, or Firm* — Daryl R. Wright; Greg Carr

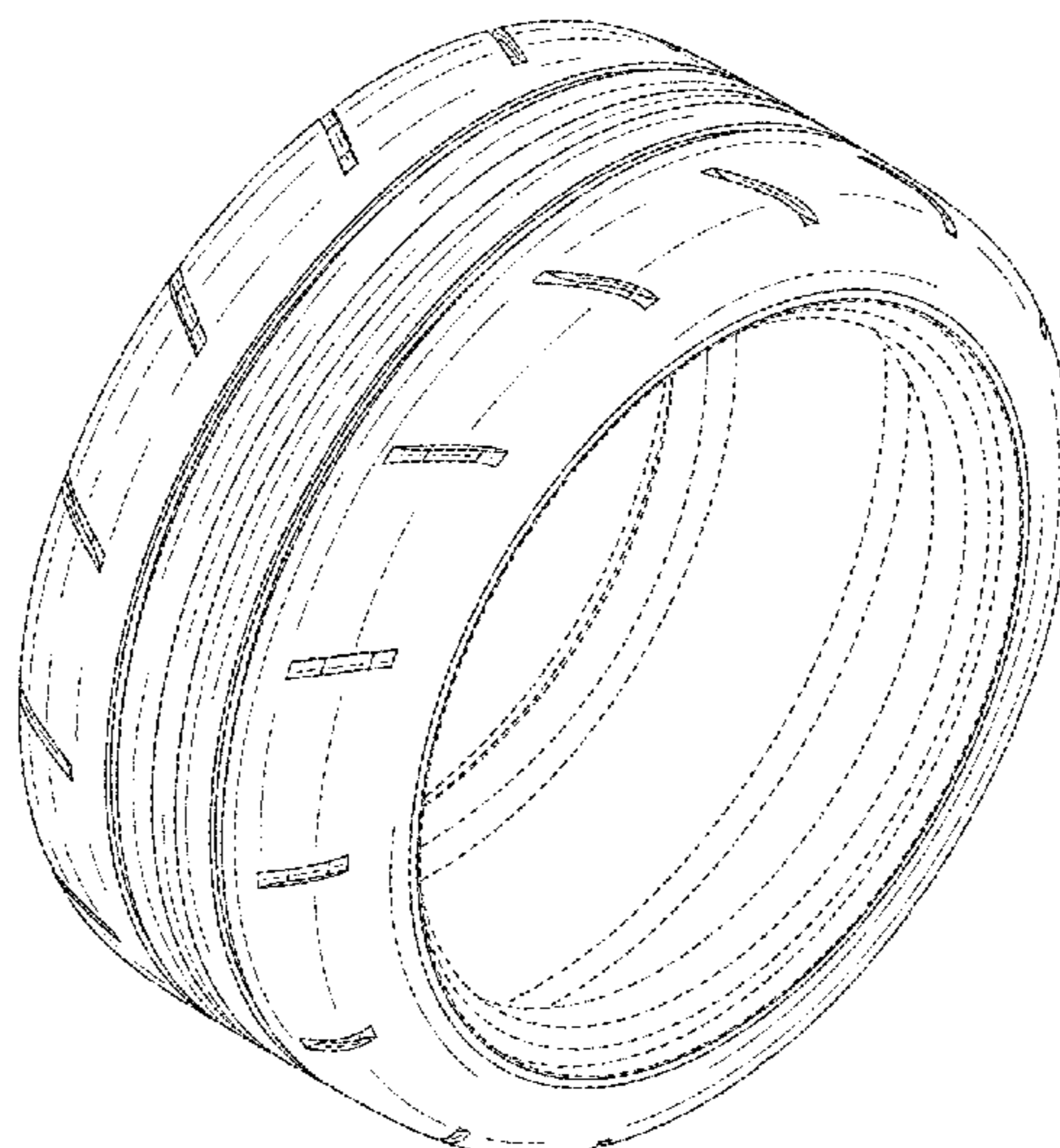
(57) **CLAIM**

We claim the ornamental design for a tire tread for a model vehicle, as shown and described.

**DESCRIPTION**

FIG. 1 is a, top, right, front perspective view of a tire tread for a model vehicle;  
FIG. 2 is a front elevation view thereof;  
FIG. 3 is a rear elevation view thereof;  
FIG. 4 is a right side elevation view thereof;  
FIG. 5 is a left side elevation view thereof;  
FIG. 6 is a top plan view thereof;  
FIG. 7 is a bottom plan view thereof; and,  
FIG. 8 is a top, right, front perspective view of a tire tread for a model vehicle mounted on a model vehicle platform. The broken line showing of a model vehicle platform is provided for the purposes of illustrating environmental structure; whereas, the broken line showing of features of the tire illustrate portions of the article that form no part of the claimed design.

**1 Claim, 5 Drawing Sheets**



(56)

References Cited

U.S. PATENT DOCUMENTS

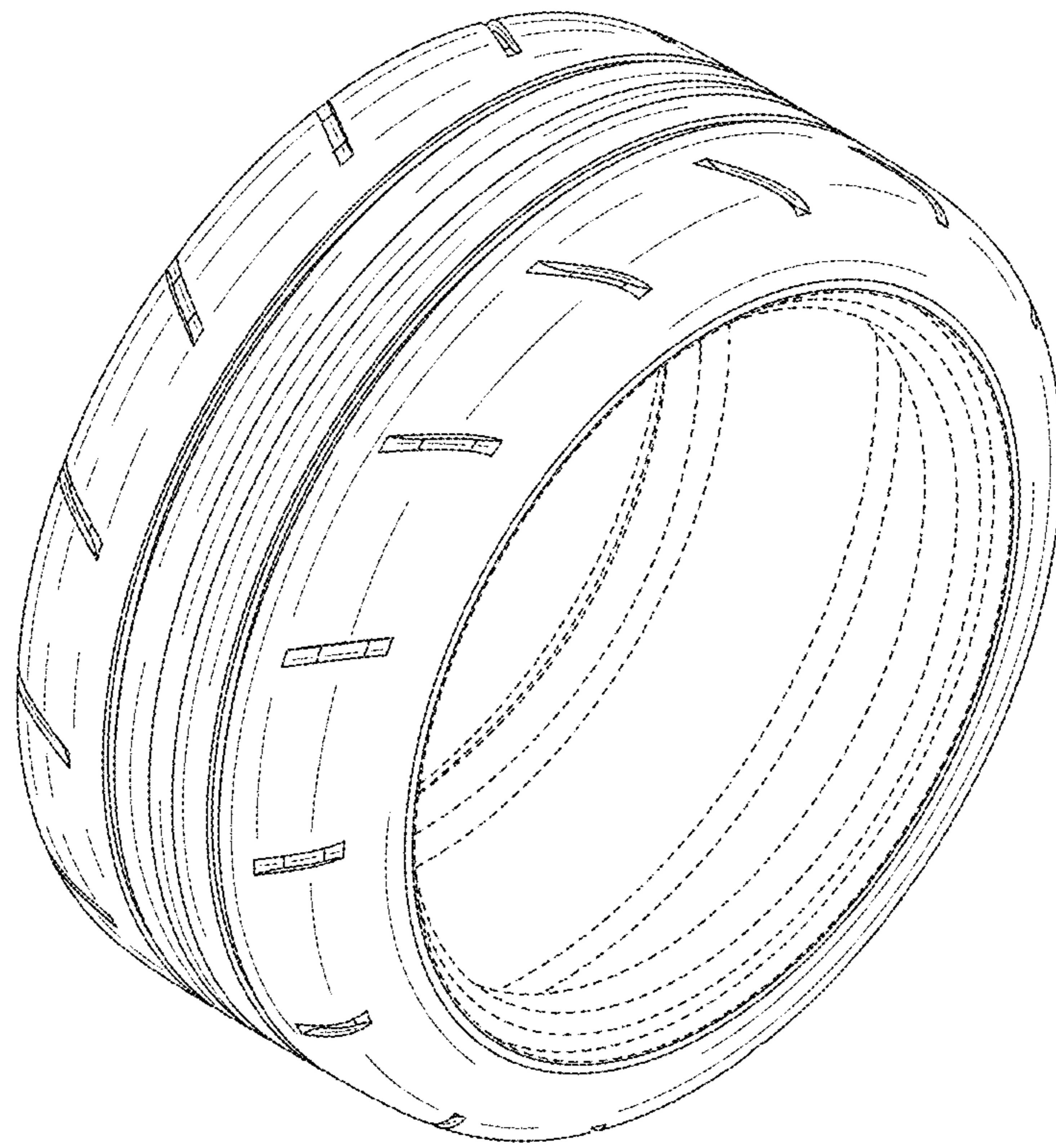
D496,328 S 9/2004 Shondel et al.  
 D500,010 S 12/2004 Maziarka et al.  
 D504,656 S 5/2005 Green et al.  
 D505,382 S 5/2005 Green et al.  
 D505,385 S 5/2005 Green et al.  
 6,920,906 B2 7/2005 Allison et al.  
 D508,674 S 8/2005 Dumigan et al.  
 D511,738 S 11/2005 Maxwell  
 D512,369 S 12/2005 Lo  
 D512,959 S \* 12/2005 Fukunaga ..... D12/556  
 D514,501 S 2/2006 Nishimori  
 D522,450 S 6/2006 Gerasimczuk  
 D524,725 S 7/2006 Gerasimczuk  
 D534,485 S 1/2007 Nakamura  
 D534,487 S 1/2007 Dumigan et al.  
 D535,248 S 1/2007 Ashton et al.  
 D535,610 S 1/2007 Morito et al.  
 D535,611 S 1/2007 Sundkvist et al.  
 D544,830 S 6/2007 Umstot et al.  
 D556,673 S 12/2007 Missik-Gaffney et al.  
 D556,674 S 12/2007 Missik-Gaffney et al.  
 D568,233 S 5/2008 Dixon et al.  
 D577,658 S \* 9/2008 Murata ..... D12/550  
 D594,401 S 6/2009 Guidry  
 D601,487 S 10/2009 Ebel et al.  
 D619,529 S 7/2010 Georges et al.  
 D621,342 S 8/2010 Osaka  
 D627,709 S 11/2010 Harvey et al.  
 D632,244 S 2/2011 Green  
 D634,265 S 3/2011 Shan et al.  
 D653,195 S 1/2012 Sareen  
 D653,196 S 1/2012 Buchinger-Barnstorf  
 D653,198 S 1/2012 Buchinger-Barnstorf  
 D668,204 S 10/2012 Leendertse et al.  
 D671,486 S 11/2012 Rooney et al.

D691,943 S 10/2013 Ma  
 D706,707 S 6/2014 Jacobs  
 D707,620 S 6/2014 Barajas et al.  
 D709,435 S 7/2014 Jacobs  
 D713,328 S 9/2014 Umstot et al.  
 D719,083 S \* 12/2014 Hayashi ..... D12/555  
 D732,463 S 6/2015 Petr et al.  
 D743,874 S 11/2015 Philipot et al.  
 D753,056 S 4/2016 Kuwano  
 D767,474 S 9/2016 Reim et al.  
 D775,061 S \* 12/2016 Ishiguro ..... D12/553  
 D781,777 S \* 3/2017 Hayashi ..... D12/556  
 D783,510 S 4/2017 Thornburg  
 D785,548 S \* 5/2017 Fukunaga ..... D12/553  
 D791,687 S 7/2017 Sueyoshi  
 D795,796 S 8/2017 Johnson  
 D796,426 S 9/2017 Liu

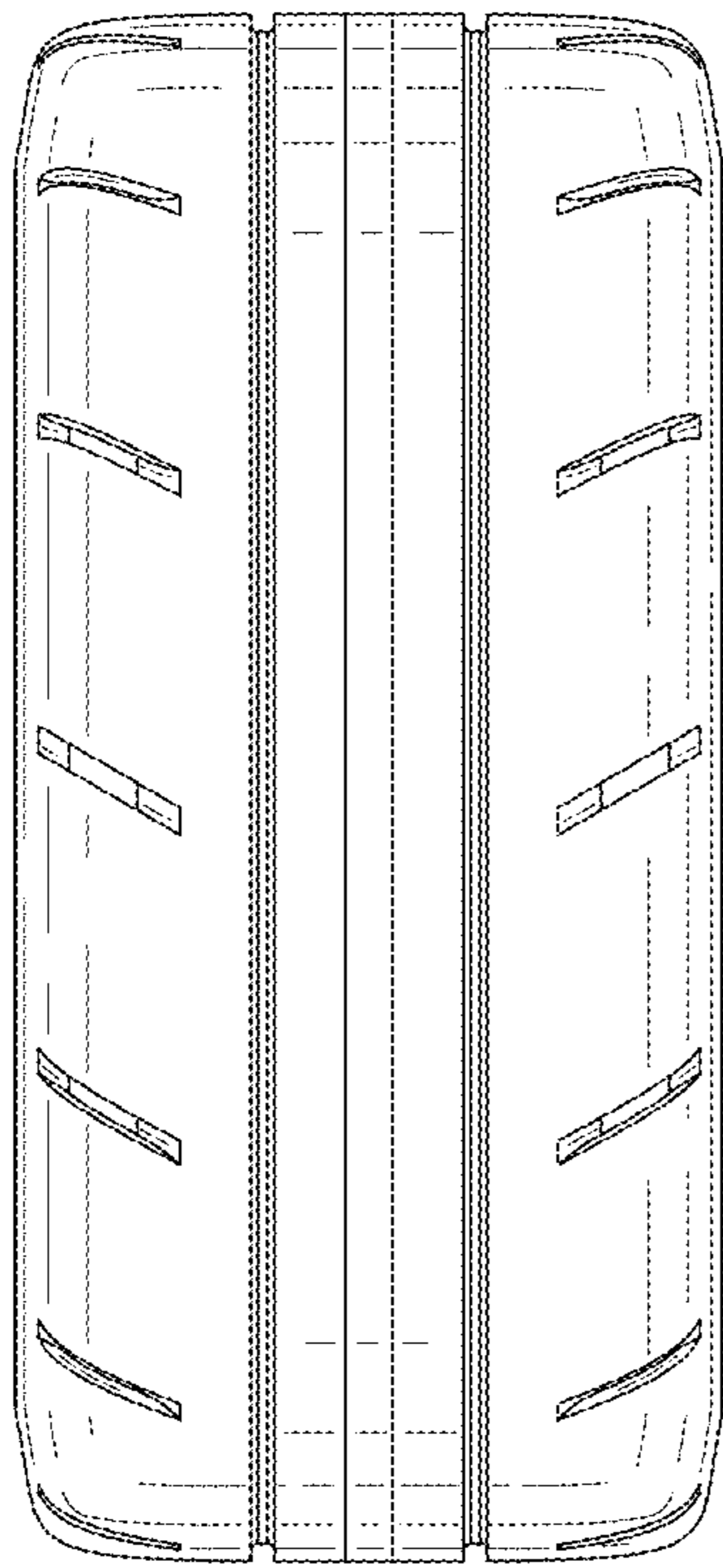
OTHER PUBLICATIONS

Interco Tire, "TM Appl'n No. 74279000" Interco Tire Corporation, Rayne LA USA, May 27, 1992.  
 Traxxas, www.traxxas.com archive web page Jul. 10, 2004, Traxxas LP, Plano TX USA, Jul. 10, 2004.  
 Traxxas, "REVO Owners Manual", Traxxas LP, Plano TX USA; Jul. 2004.  
 Traxxas, "REVO Service and Support Guide / Parts List", Traxxas LP, Plano TX USA; Jul. 2004.  
 Traxxas, "REVO Power.Precision.Balance" product announcement web pages, traxxas.com; Traxxas LP, Plano, TX USA, Apr. 8, 2004.  
 Kumho Tire; <http://www.kumhousa.com/tire/category/truck-suv/F8656BD8-0A87-4166-82B5-0DF52D4AC17E>; Sep. 2016.  
 Traxxas; Tires, Maxx AT; Sep. 2016.  
 TRAXXAS [online] found on Jan. 2, 2018 from URL <https://traxxas.com/products/parts/8369?t=overview>.

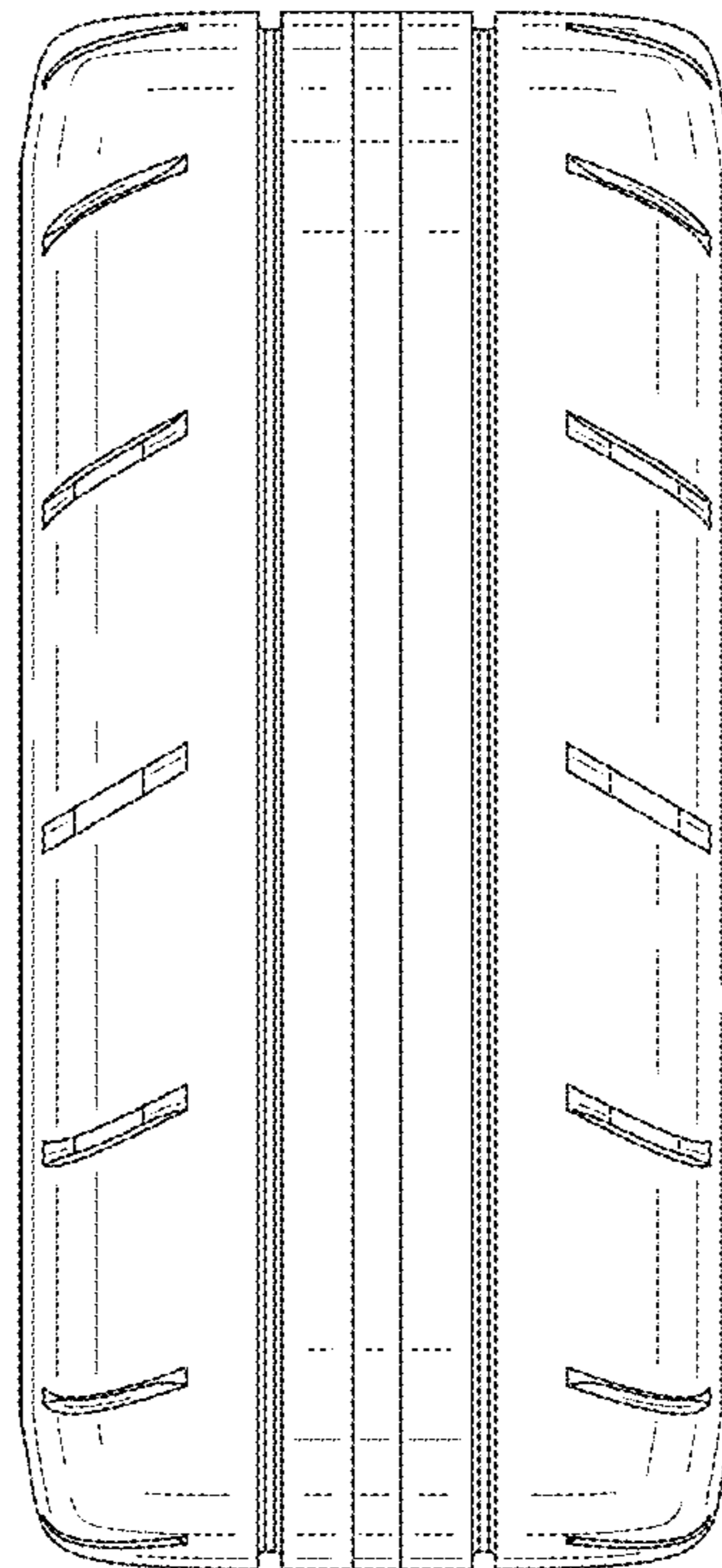
\* cited by examiner



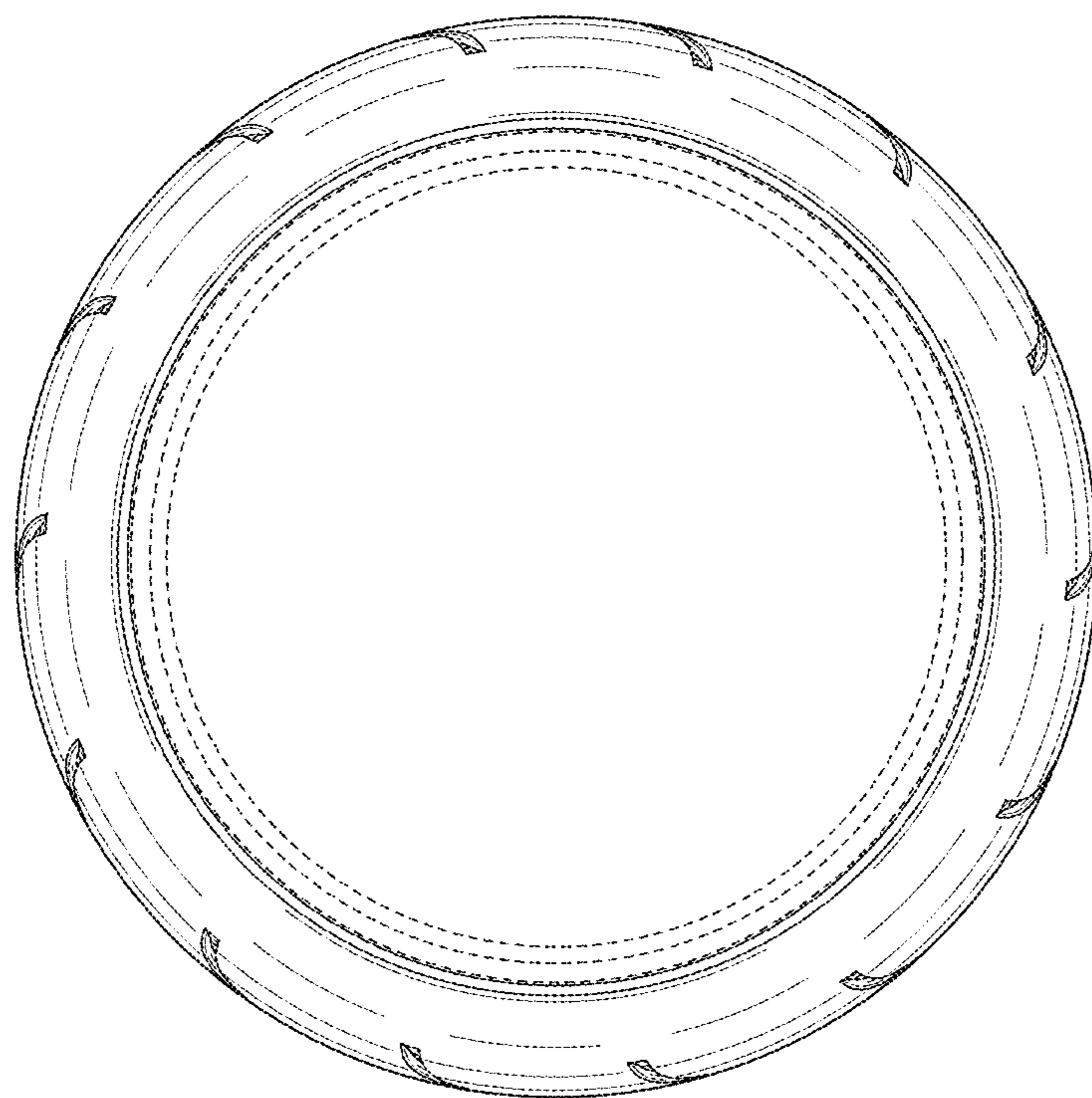
**FIG. 1**



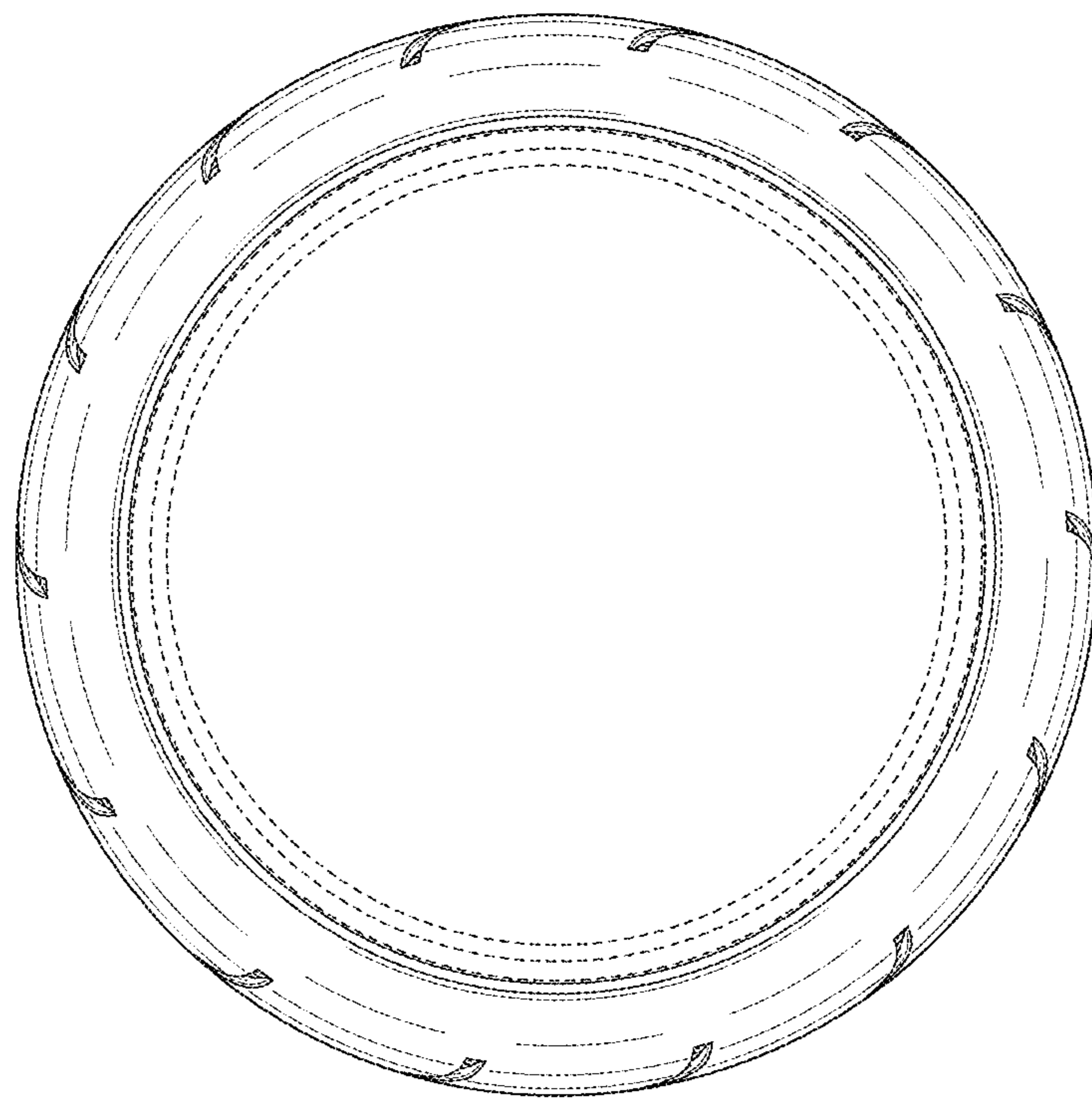
**FIG. 2**



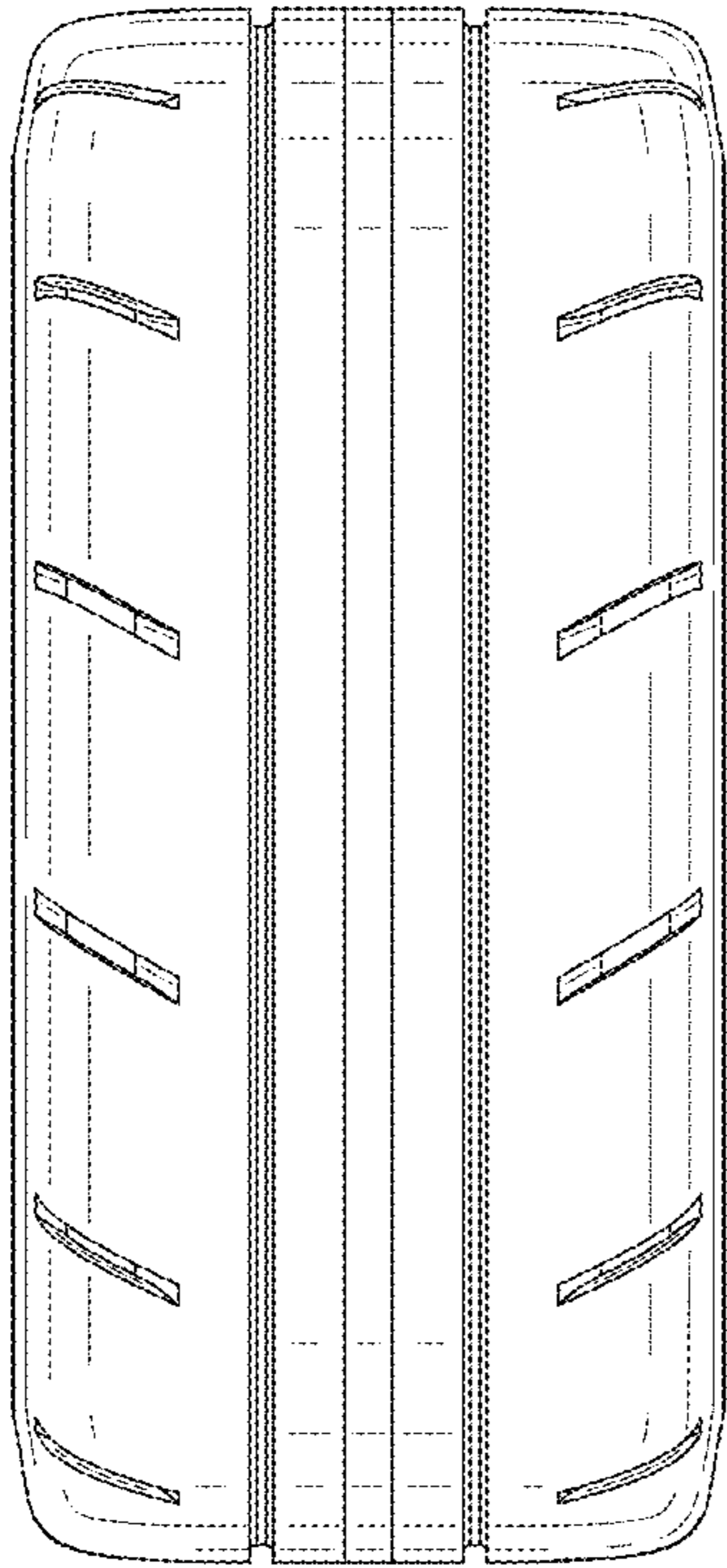
**FIG. 3**



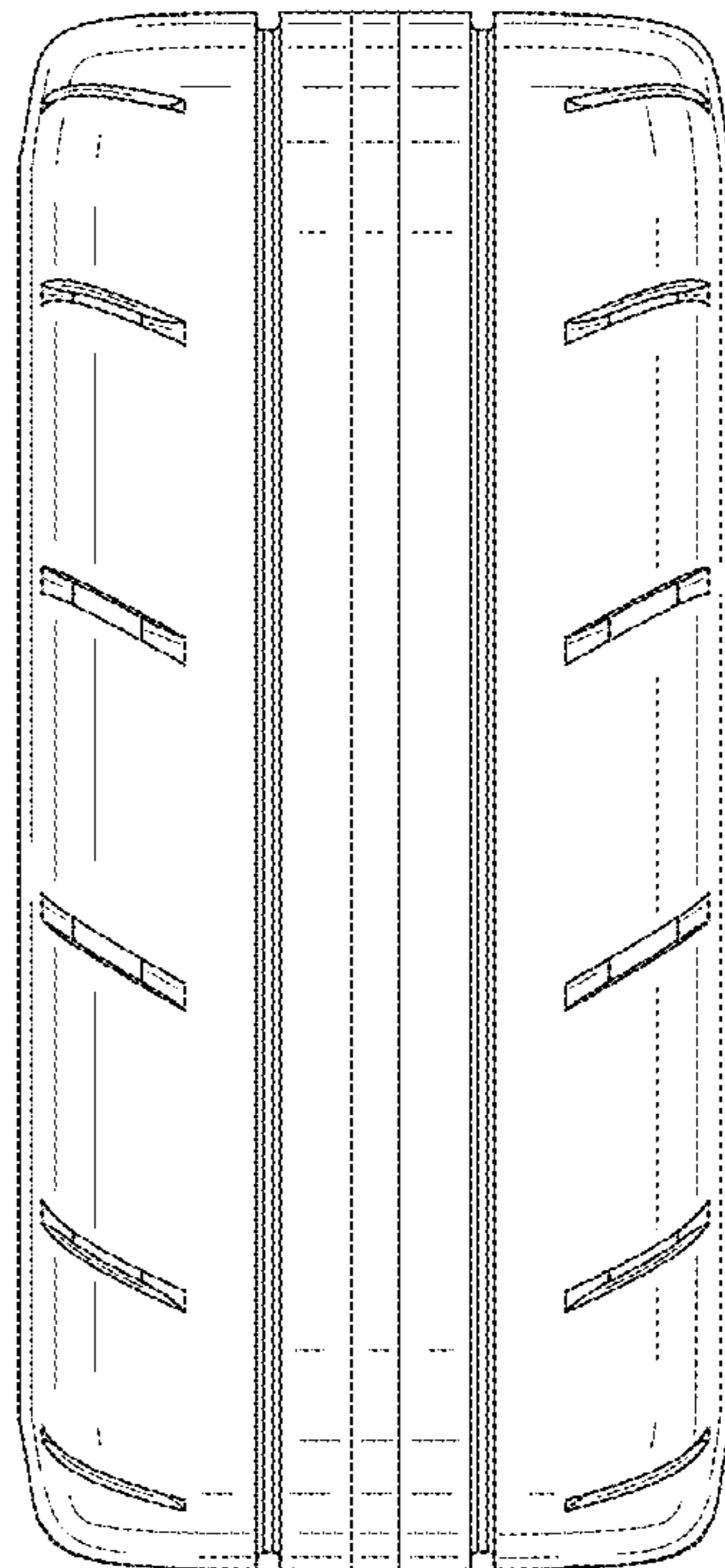
**FIG. 4**



**FIG. 5**



**FIG. 6**



**FIG. 7**

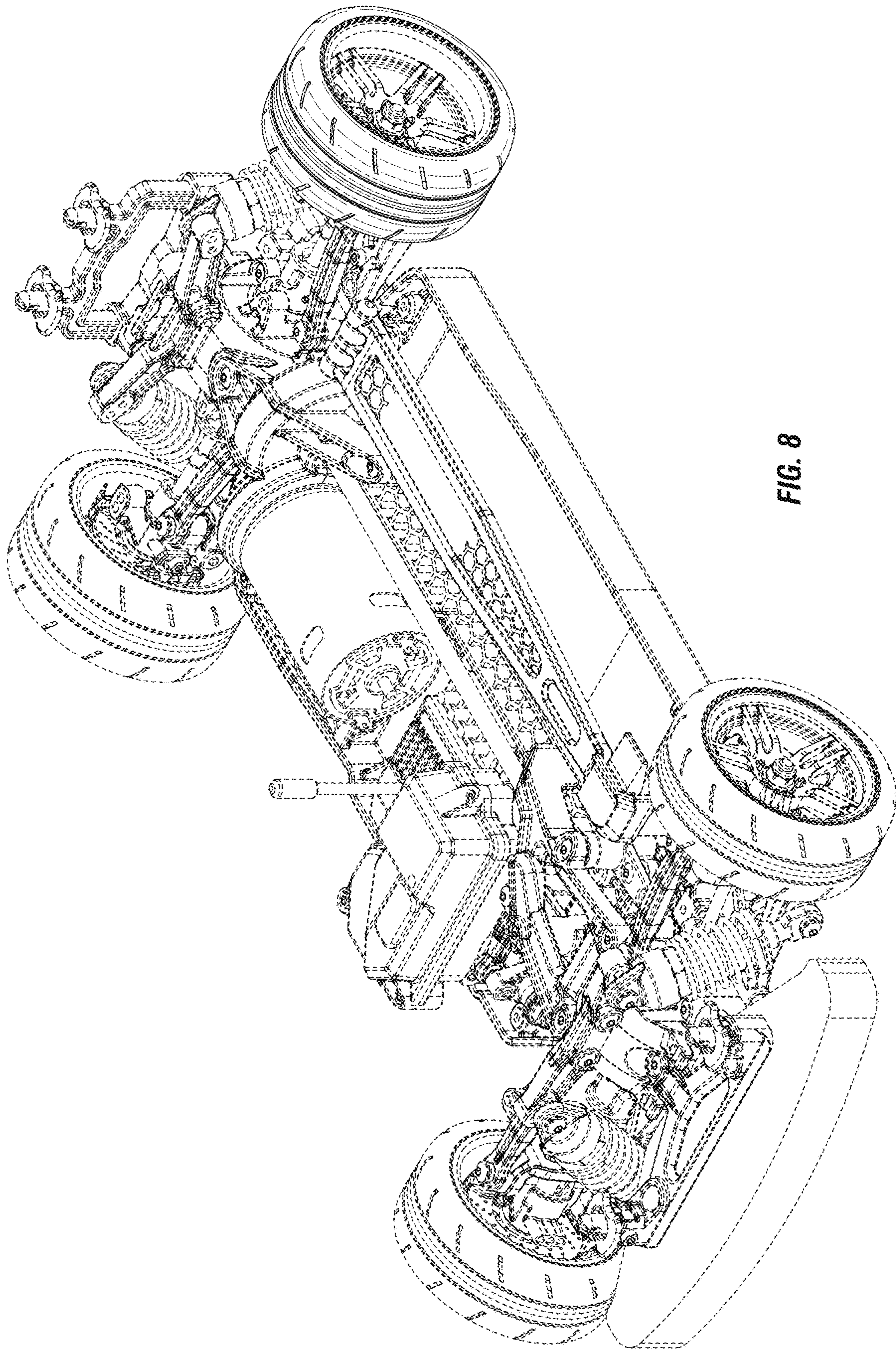


FIG. 8