



US00D826139S

(12) **United States Design Patent**  
**Chen**

(10) **Patent No.:** **US D826,139 S**

(45) **Date of Patent:** **\*\* Aug. 21, 2018**

- (54) **TIRE**
- (71) Applicant: **Cheng Shin Rubber (Xiamen) Ind. Ltd.**, Xiamen (CN)
- (72) Inventor: **Shiu-Hsiung Chen**, Xiamen (CN)
- (73) Assignee: **CHENG SHIN RUBBER (XIAMEN) IND. LTD.**, Xiamen, Fujian (CN)
- (\*\*) Term: **15 Years**
- (21) Appl. No.: **29/606,174**
- (22) Filed: **Jun. 2, 2017**
- (51) **LOC (11) Cl.** ..... **12-15**
- (52) **U.S. Cl.**  
USPC ..... **D12/544**
- (58) **Field of Classification Search**  
USPC ..... D12/533–567  
CPC ..... B60C 11/0302; B60C 2011/0358; B60C 2011/0374  
See application file for complete search history.

- D217,945 S \* 6/1970 Petroff ..... D12/544
- D278,045 S \* 3/1985 Oba ..... D12/544
- D278,136 S \* 3/1985 Oba ..... D12/544
- D302,671 S \* 8/1989 Miller ..... D12/544
- D316,386 S \* 4/1991 Fujiki ..... D12/544
- D766,165 S \* 9/2016 Chen ..... B60C 11/0311  
D12/544
- D807,281 S \* 1/2018 Irwin ..... B60C 11/0311  
D12/544
- D810,665 S \* 2/2018 Sgreccia ..... D12/544

\* cited by examiner

*Primary Examiner* — George D. Kirschbaum

*Assistant Examiner* — Joseph J Kukella

(74) *Attorney, Agent, or Firm* — Leong C. Lei

(57) **CLAIM**

The ornamental design for a tire, as shown and described.

**DESCRIPTION**

FIG. 1 is a perspective view of tire showing my present design;

FIG. 2 is a front view thereof;

FIG. 3 is a rear view thereof;

FIG. 4 is a left side view thereof;

FIG. 5 is a right side view thereof;

FIG. 6 is a top view thereof; and,

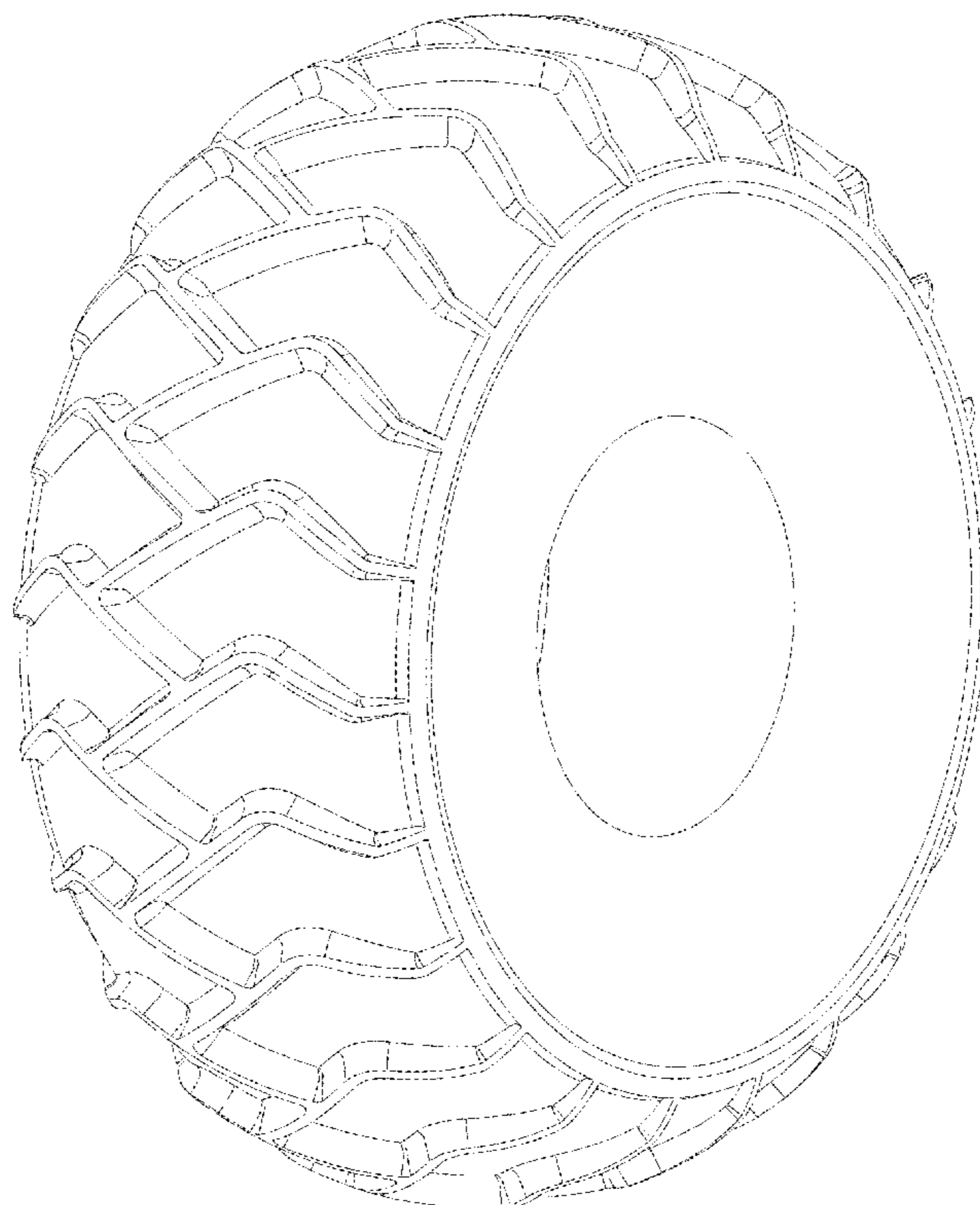
FIG. 7 is a bottom view thereof.

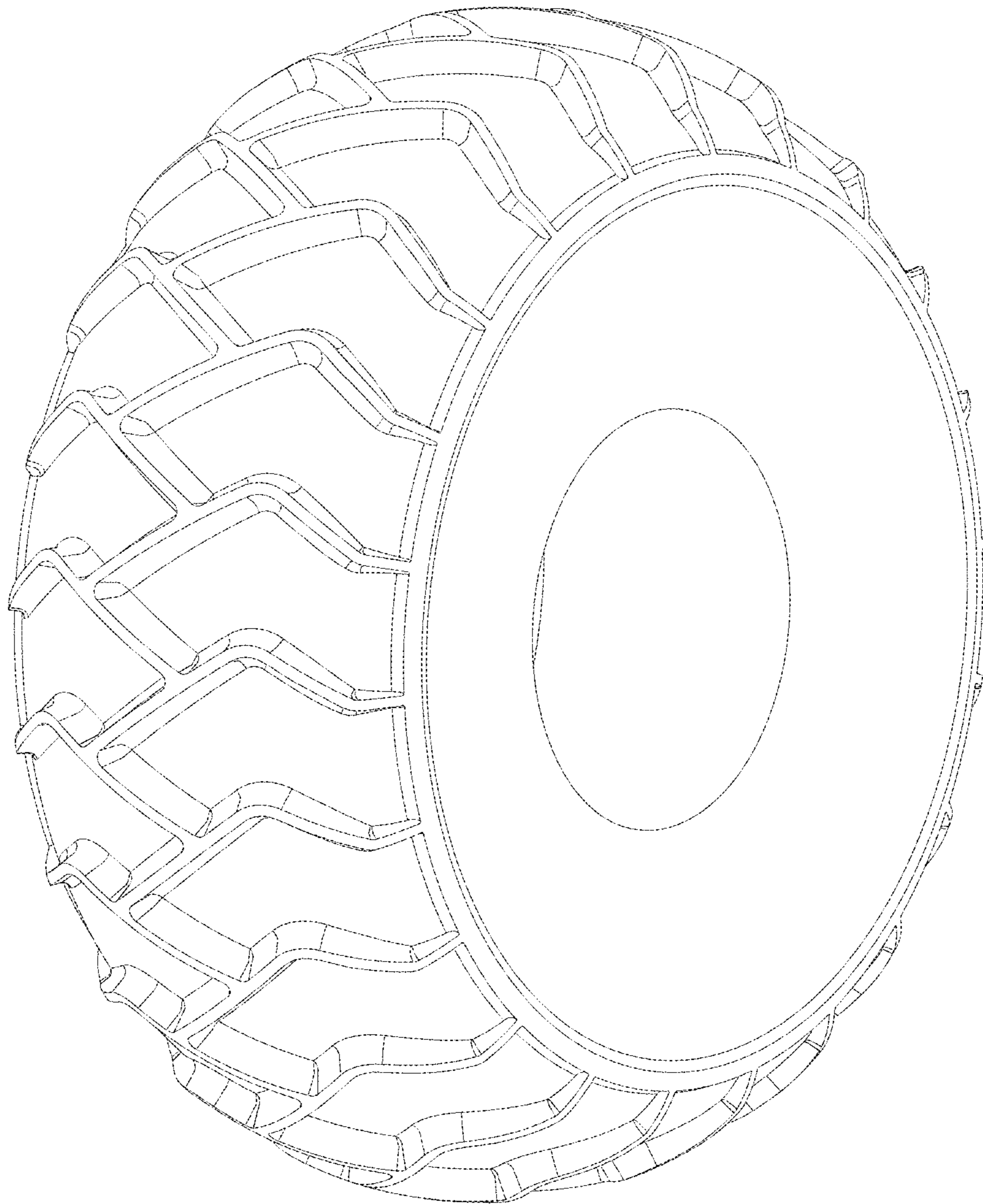
**1 Claim, 7 Drawing Sheets**

(56) **References Cited**

U.S. PATENT DOCUMENTS

- 2,415,290 A \* 2/1947 Kreyer ..... B60C 11/0311  
152/209.12
- 2,626,649 A \* 1/1953 Eiler ..... B60C 11/0311  
152/209.12





**FIG. 1**

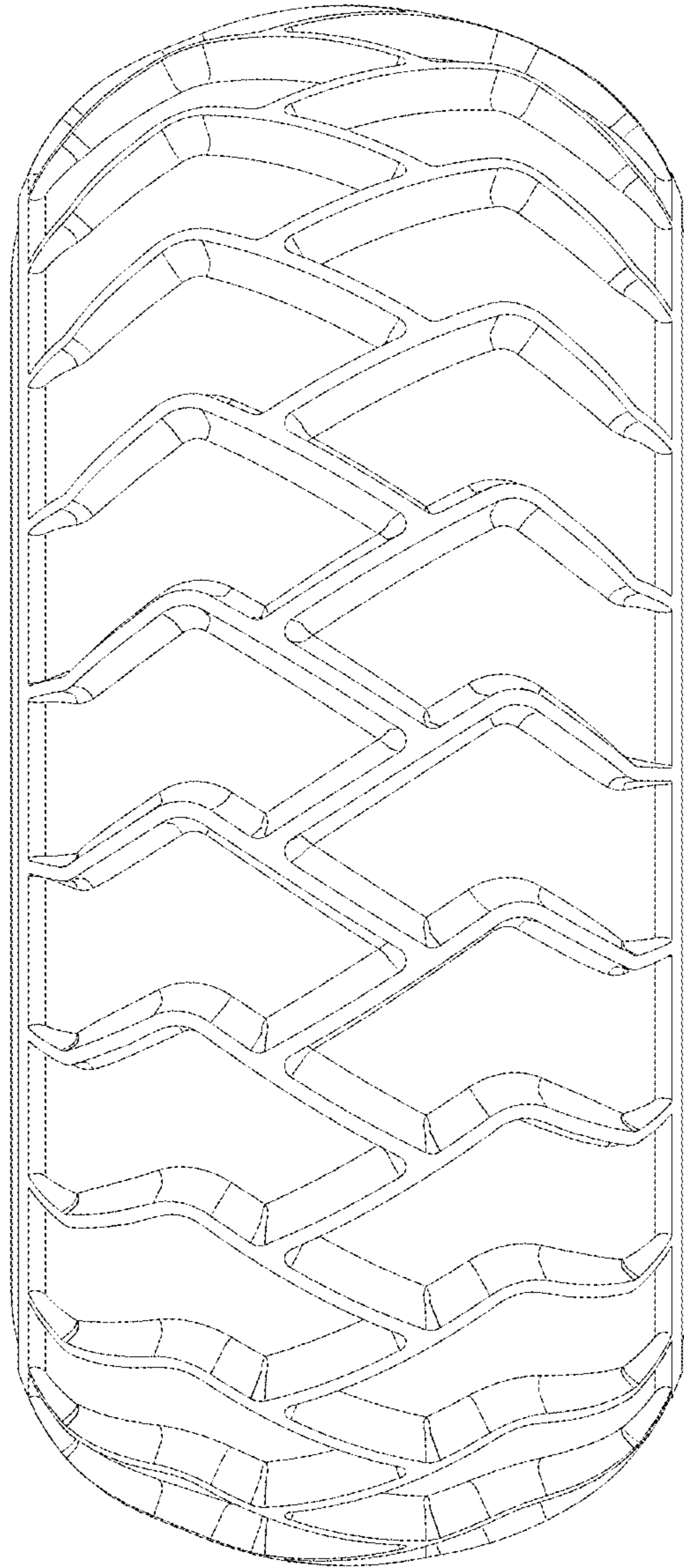
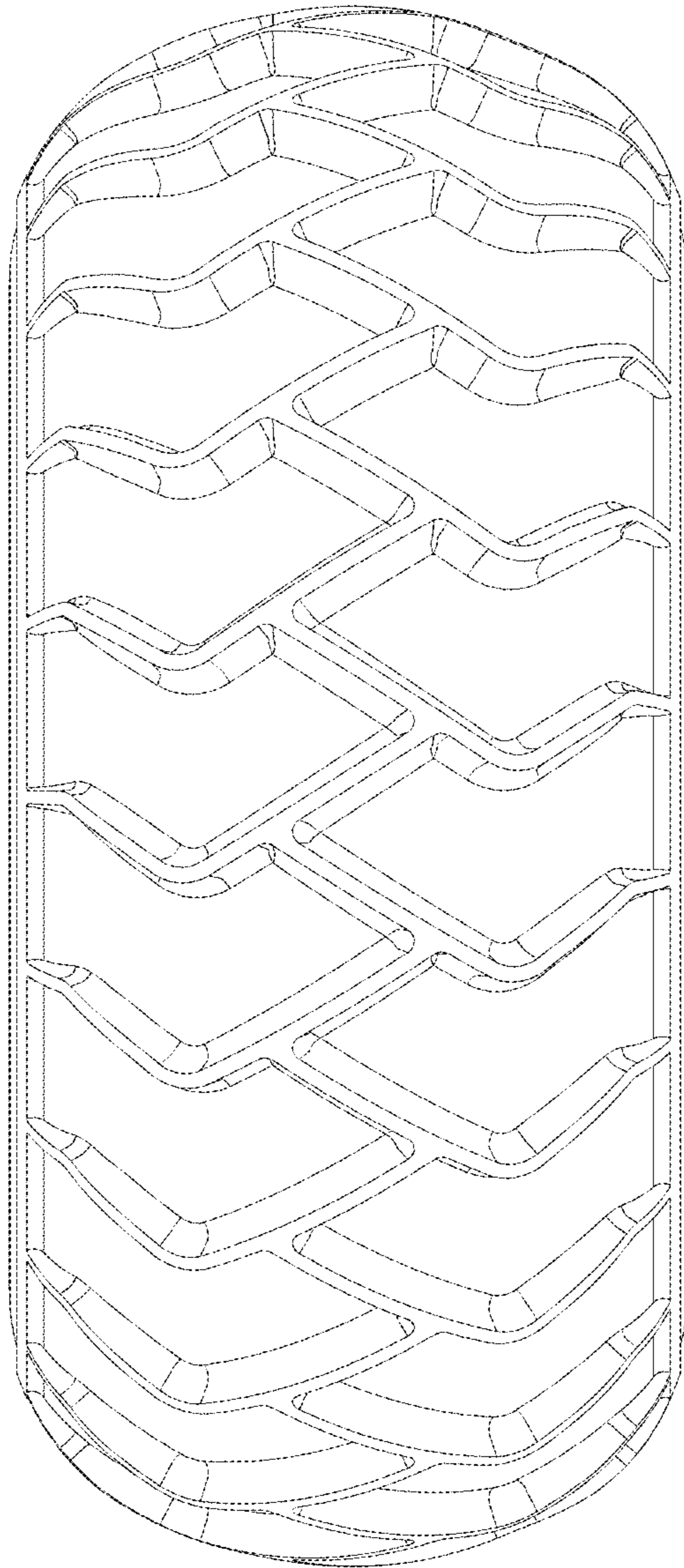


FIG. 2



**FIG. 3**

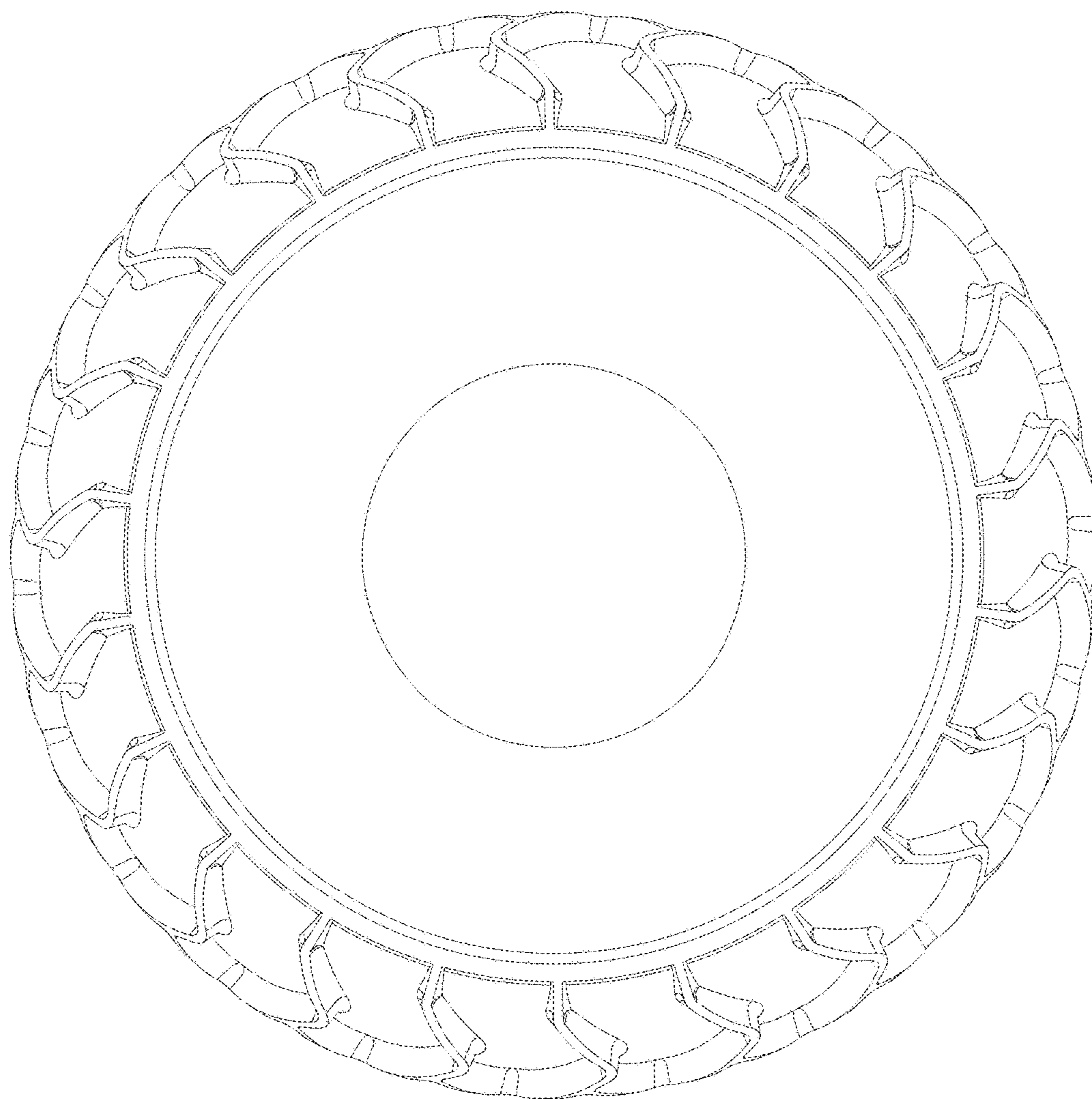
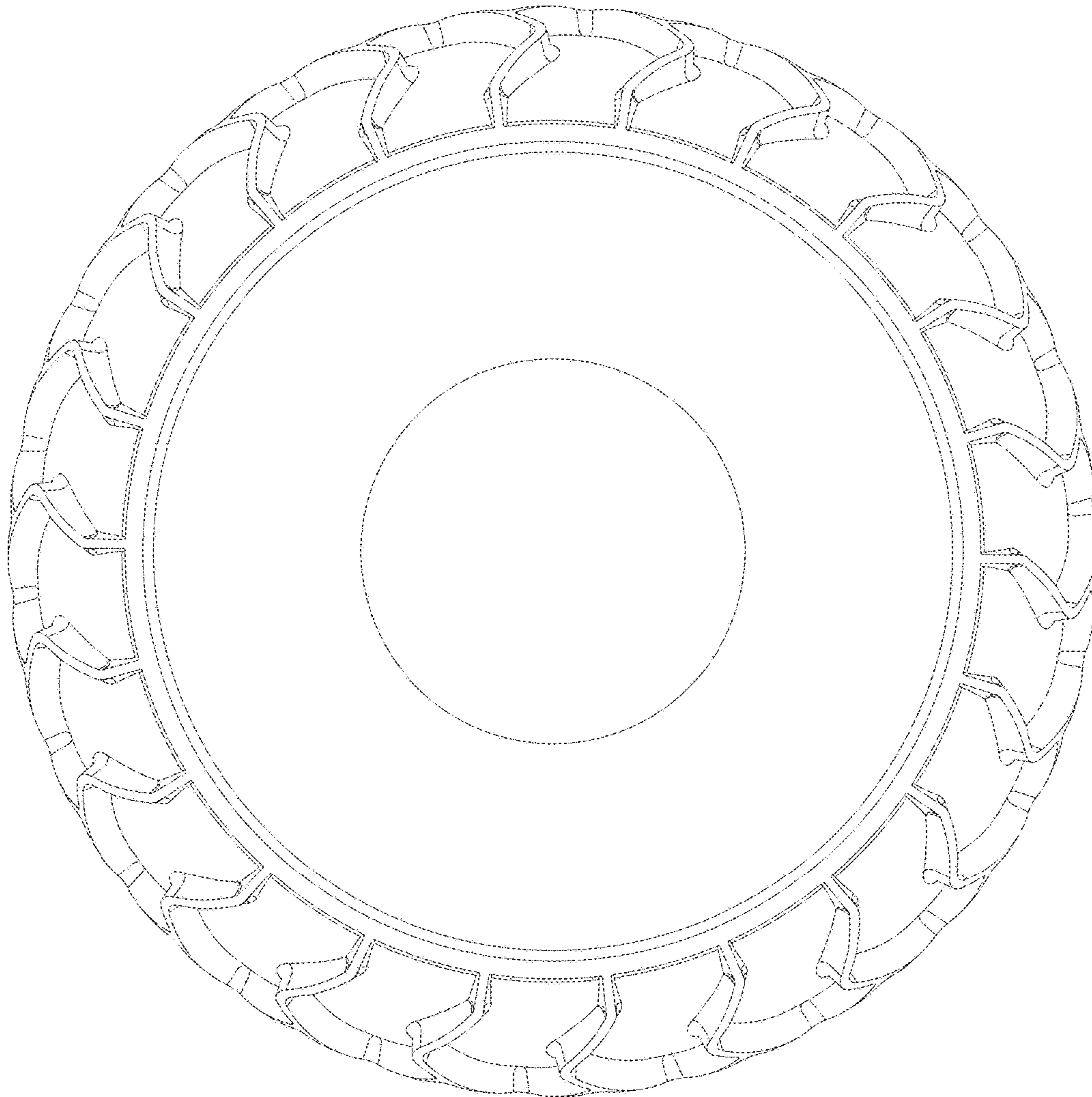
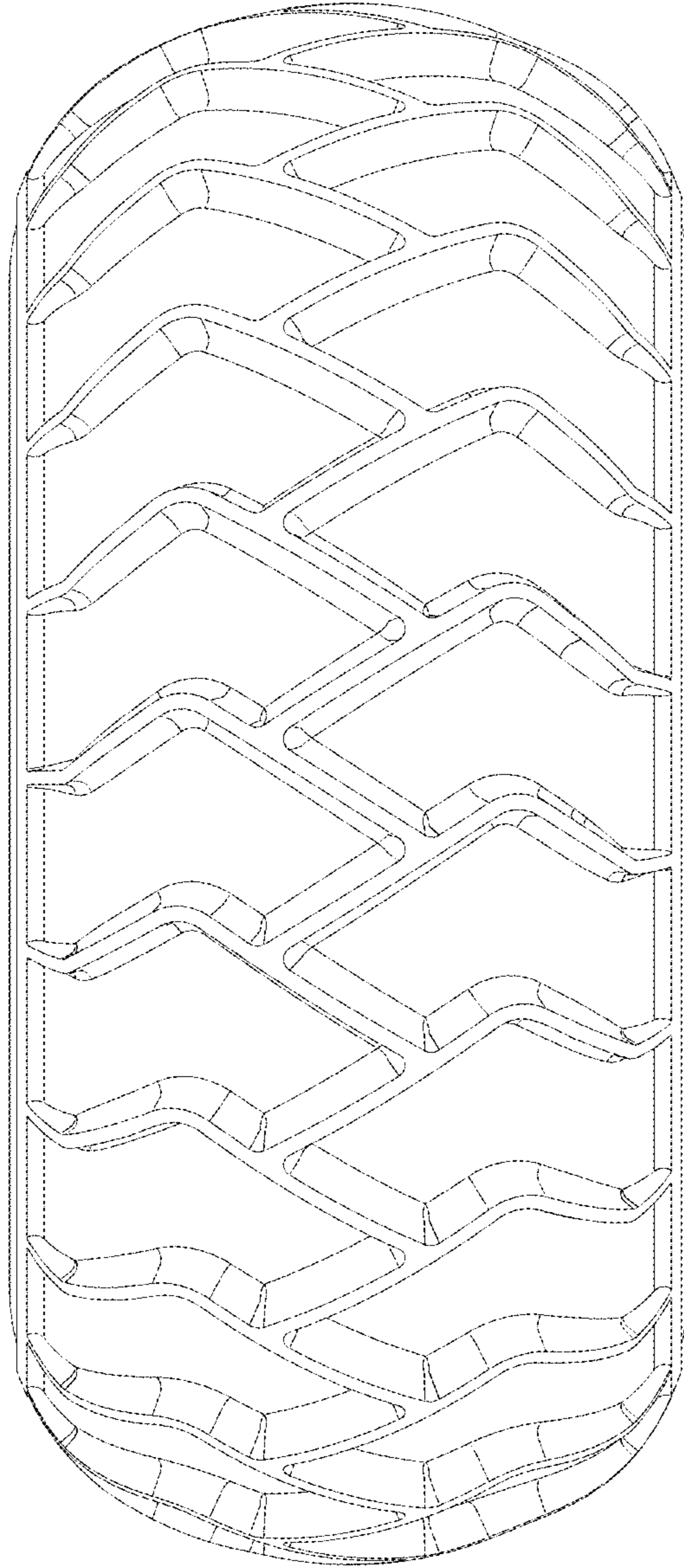


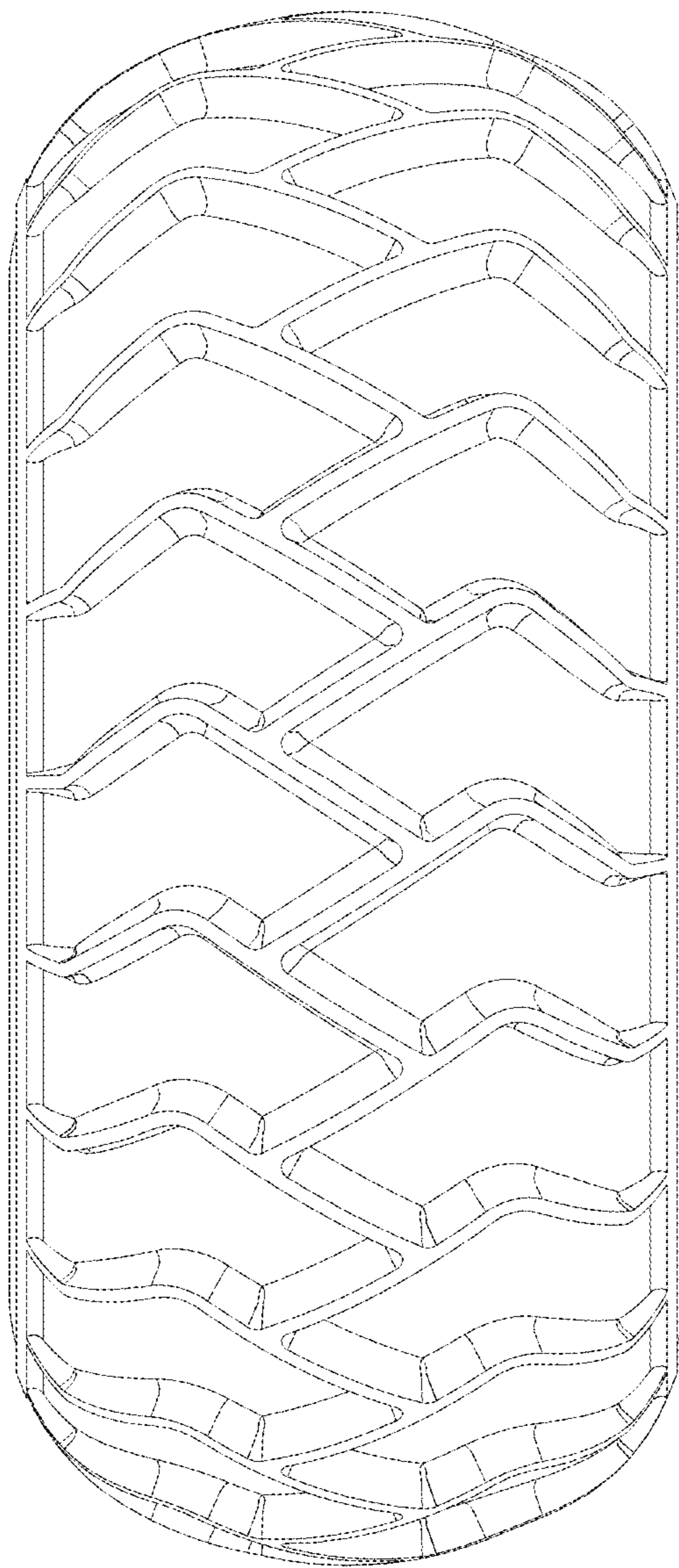
FIG. 4



**FIG. 5**



**FIG. 6**



**FIG. 7**