



US00D826136S

(12) **United States Design Patent** (10) **Patent No.:** **US D826,136 S**
Walter (45) **Date of Patent:** **** Aug. 21, 2018**

(54) **TOOL ACCESSORY BOX**
(71) Applicant: **Steven Walter**, Lakeland, FL (US)
(72) Inventor: **Steven Walter**, Lakeland, FL (US)
(**) Term: **15 Years**
(21) Appl. No.: **29/586,020**
(22) Filed: **Nov. 30, 2016**
(51) **LOC (11) Cl.** **12-11**
(52) **U.S. Cl.**
USPC **D12/407; D12/410**
(58) **Field of Classification Search**
USPC D12/407, 409, 410, 110, 114, 117, 126;
D3/294
CPC B62J 9/00; B62J 9/001; B62J 9/02; B62K
19/46
See application file for complete search history.

D670,230 S * 11/2012 Kataoka D12/410
D675,964 S * 2/2013 Mirabal D12/126
D685,717 S * 7/2013 Franklin D12/410
D688,195 S * 8/2013 Robinson D12/409
D690,645 S * 10/2013 Beckwith D12/409
D743,325 S * 11/2015 Seo D12/410

* cited by examiner

Primary Examiner — George D. Kirschbaum
Assistant Examiner — Clese Moore, Jr.

(57) **CLAIM**

The ornamental design for a tool accessory box, as shown and described.

DESCRIPTION

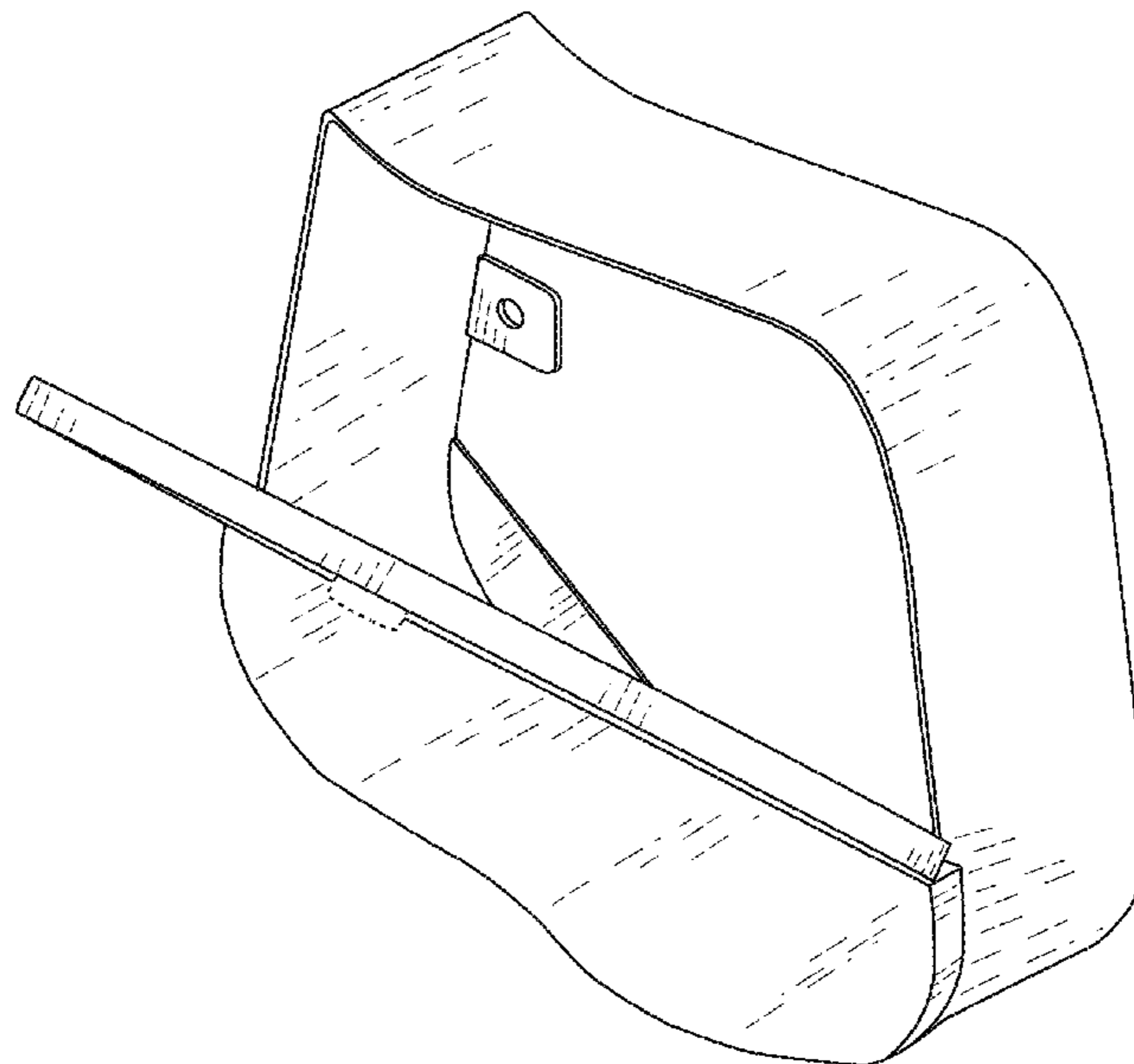
FIG. 1 is a top perspective view of a tool accessory box in an open configuration;
FIG. 2 is a front elevational view thereof;
FIG. 3 is a right side elevational view thereof;
FIG. 4 is a left side elevational view thereof;
FIG. 5 is a rear elevational view thereof;
FIG. 6 is a top plan view thereof;
FIG. 7 is a bottom plan view thereof;
FIG. 8 is a bottom, rear perspective view thereof;
FIG. 9 is a bottom, front perspective view thereof;
FIG. 10 is a top perspective view of the tool accessory box in a closed configuration;
FIG. 11 is a front elevational view thereof;
FIG. 12 is a right side elevational view thereof;
FIG. 13 is a left side elevational view thereof;
FIG. 14 is a rear elevational view thereof;
FIG. 15 is a top plan view thereof; and,
FIG. 16 is a bottom plan view thereof.
The broken line showing of a hinge and a key lock is included for the purpose of illustrating environmental structure and forms no part of the claimed design.

(56) **References Cited**

U.S. PATENT DOCUMENTS

D258,650 S * 3/1981 Beaubien D12/410
D259,780 S * 7/1981 Davidson D12/410
D343,062 S * 1/1994 Delage D12/410
D343,815 S * 2/1994 Kamata D12/410
D374,653 S * 10/1996 Yon D12/409
D377,781 S * 2/1997 Burgland D12/409
D408,828 S * 4/1999 Golden D12/126
D426,792 S * 6/2000 Reed D12/126
D430,102 S * 8/2000 Berman D12/410
D462,933 S * 9/2002 Itakura D12/410
D514,035 S * 1/2006 Francis D12/126
D524,701 S * 7/2006 Mesanovic D12/126
D600,459 S * 9/2009 Hanagan D12/410
D622,209 S * 8/2010 Shimizugami D12/409
D654,845 S * 2/2012 Yonai D12/409
D656,081 S * 3/2012 Yonai D12/410

1 Claim, 16 Drawing Sheets



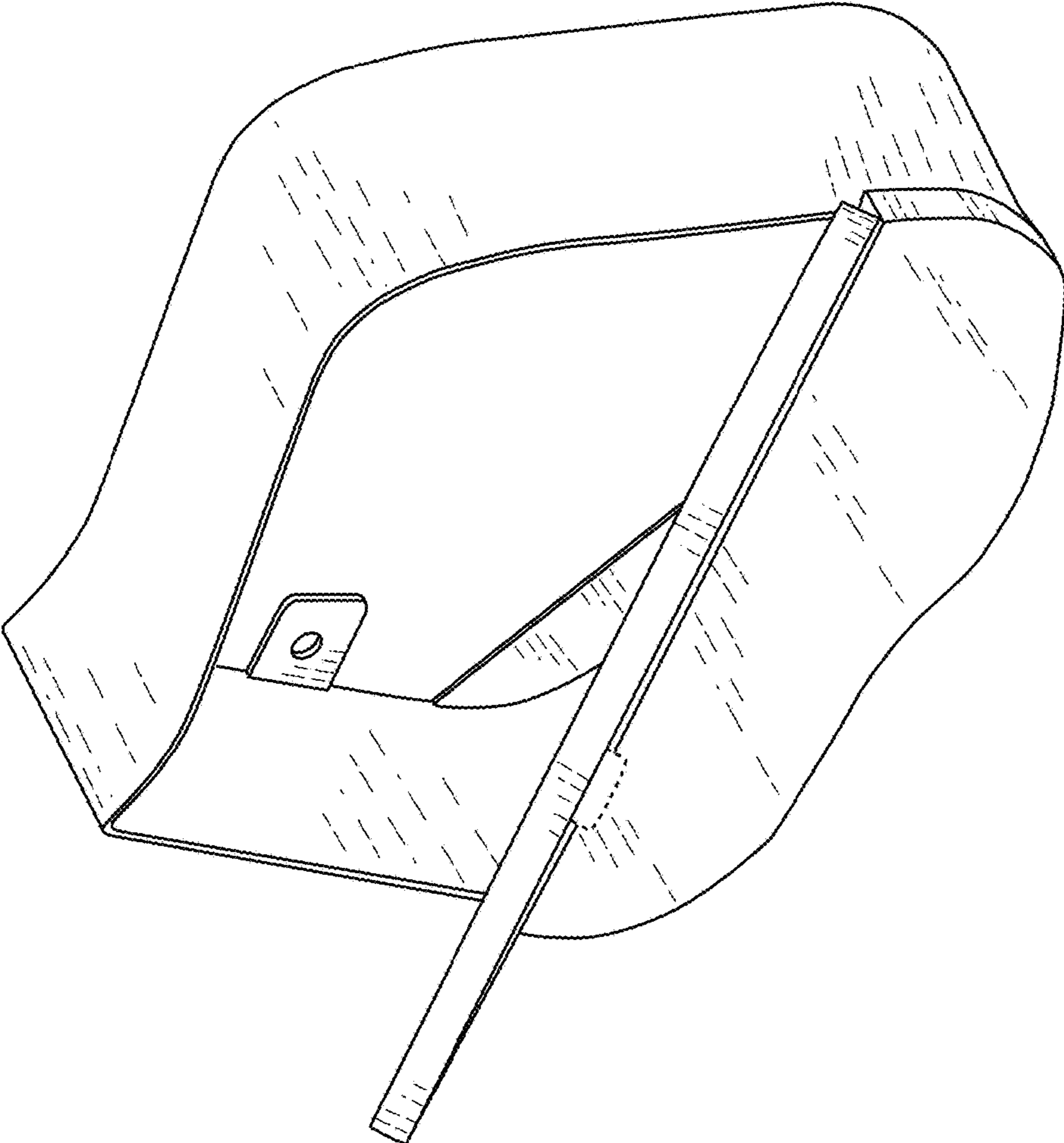


FIG. 1

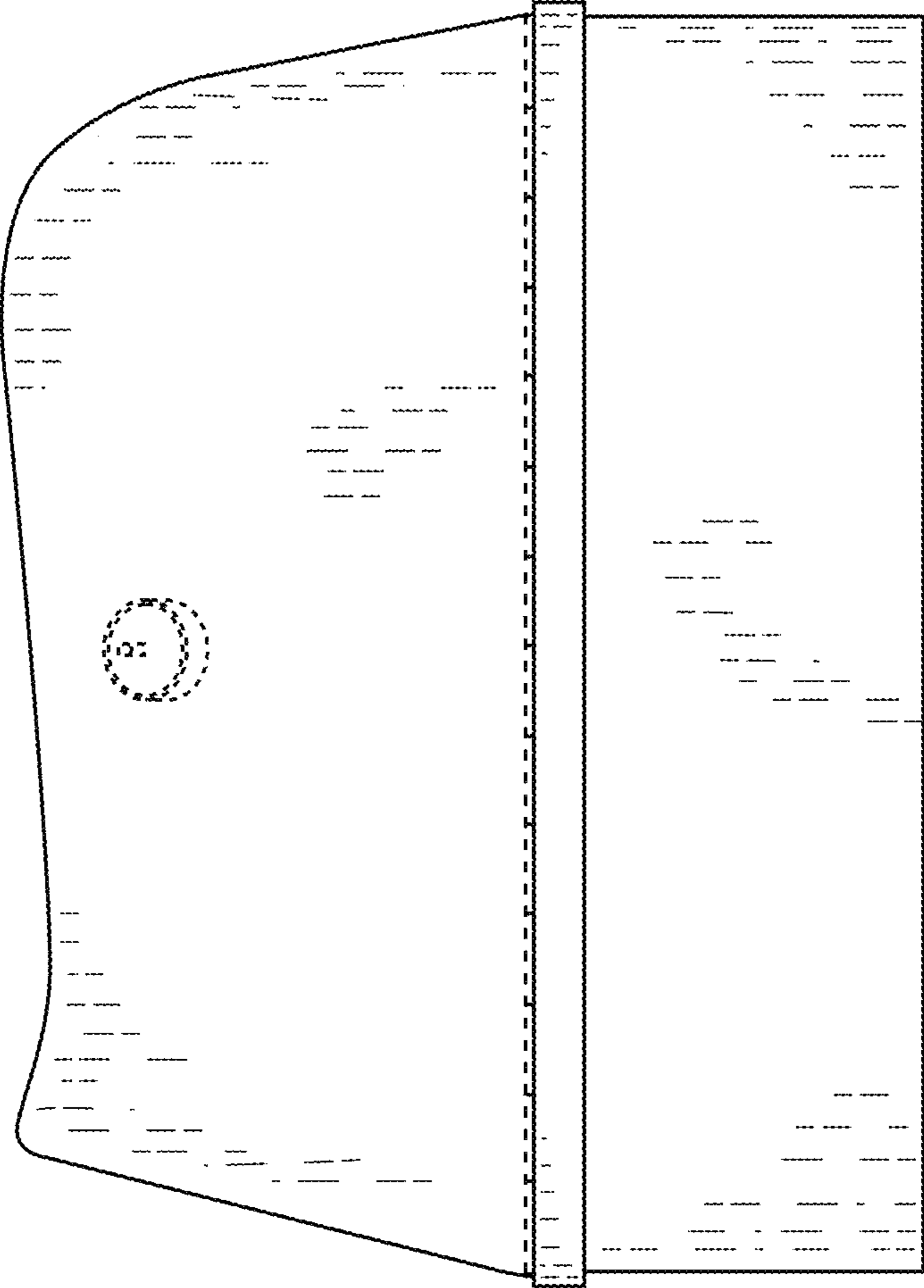


FIG. 2

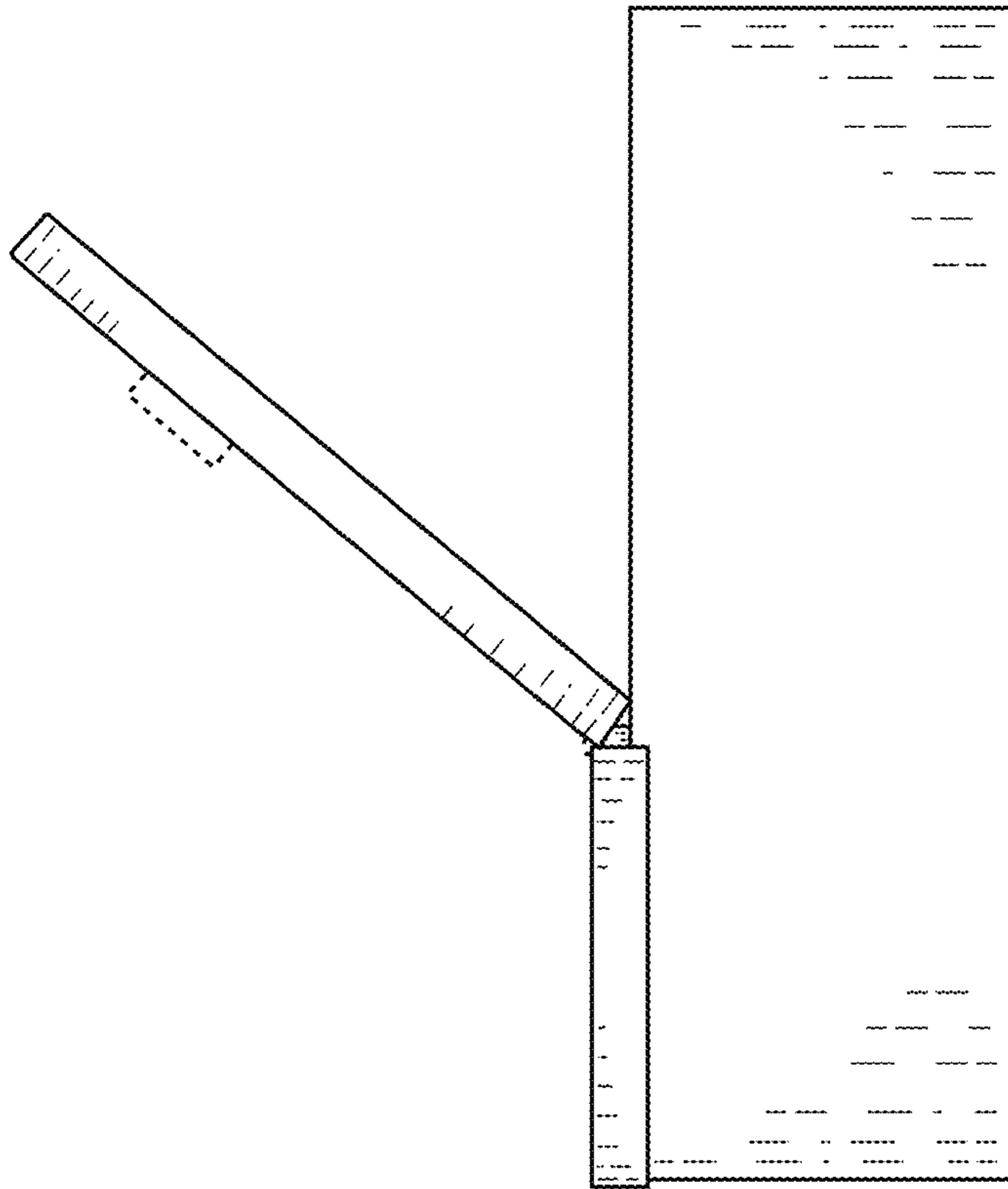


FIG. 3

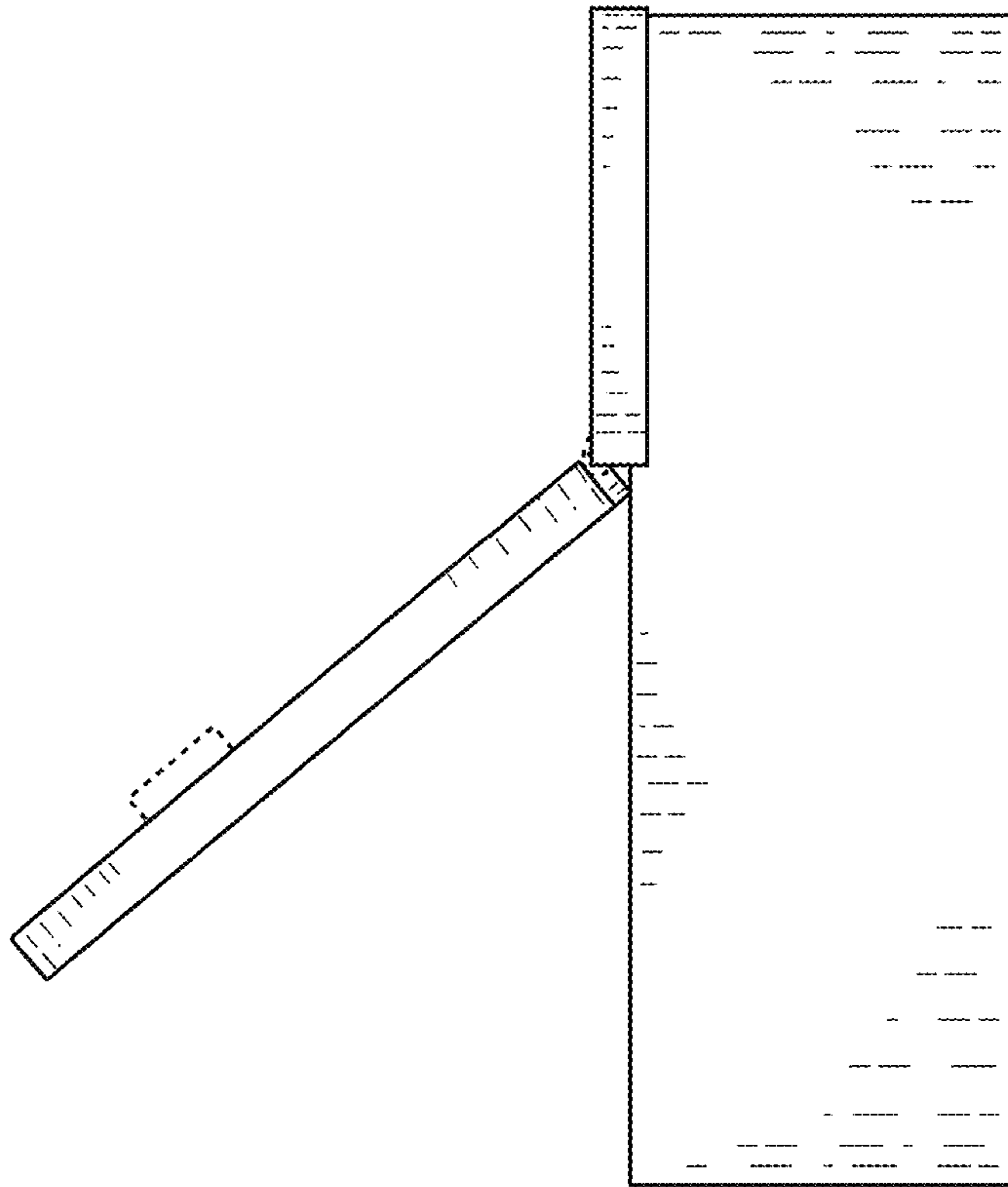


FIG. 4

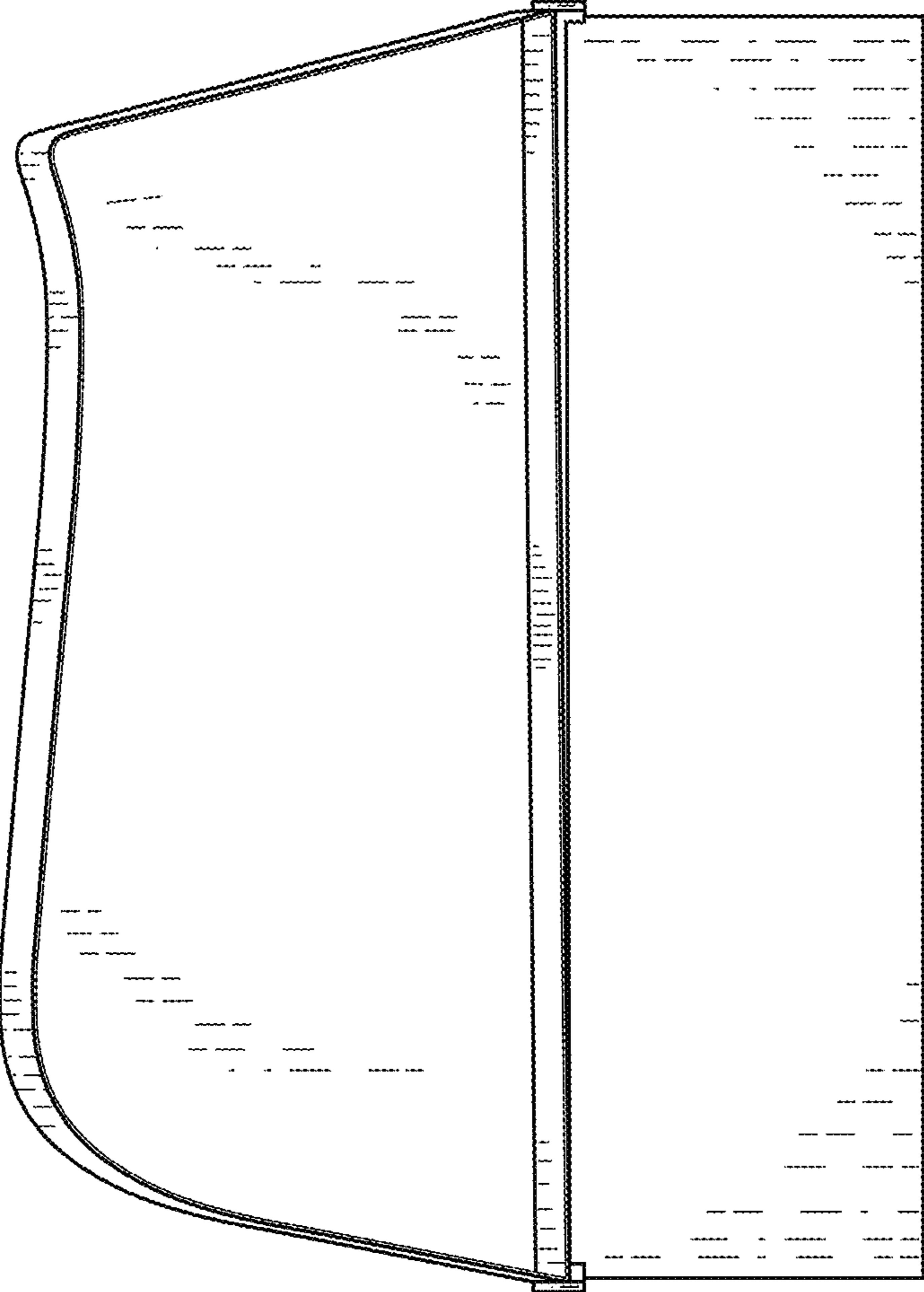


FIG. 5

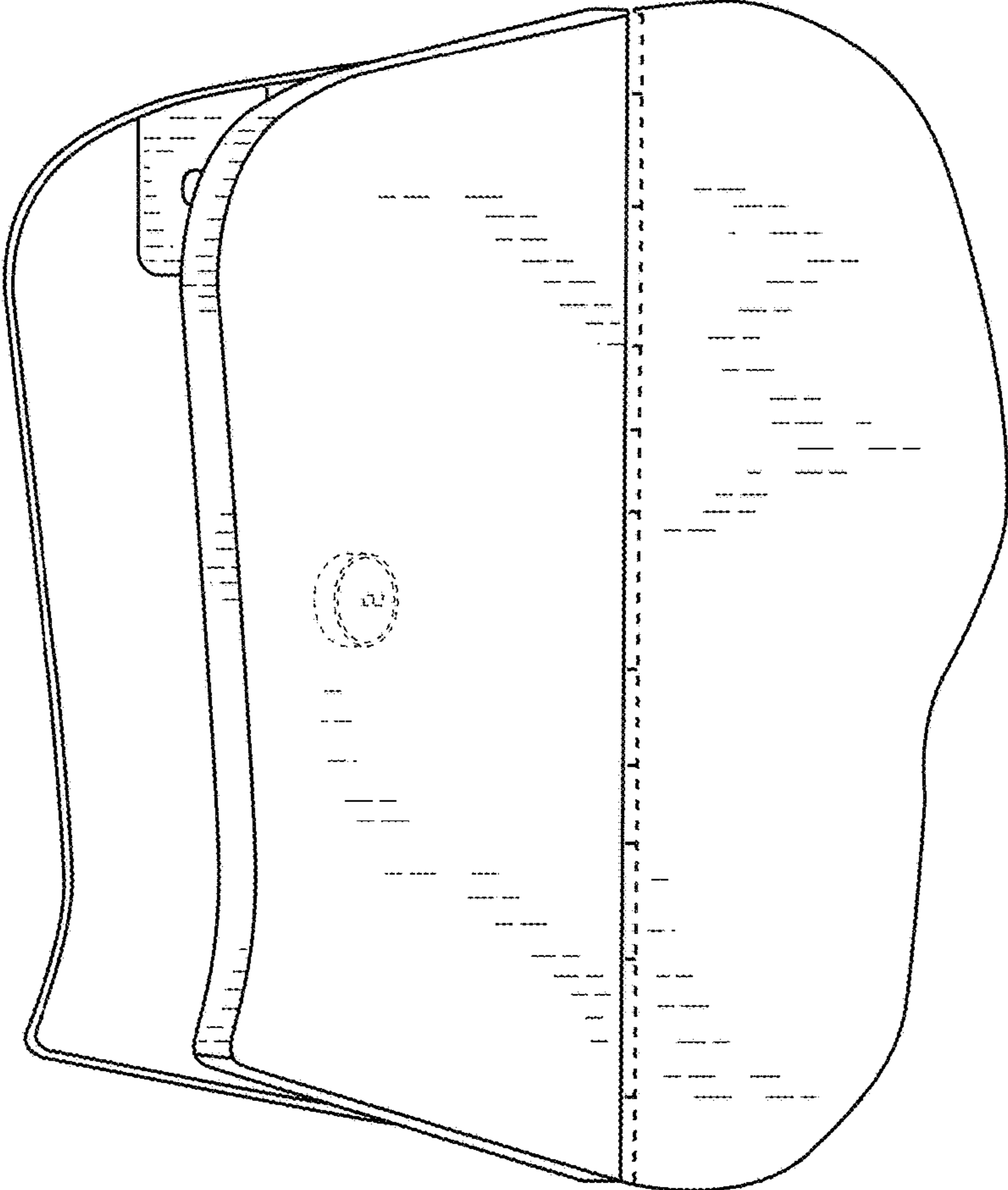


FIG. 6

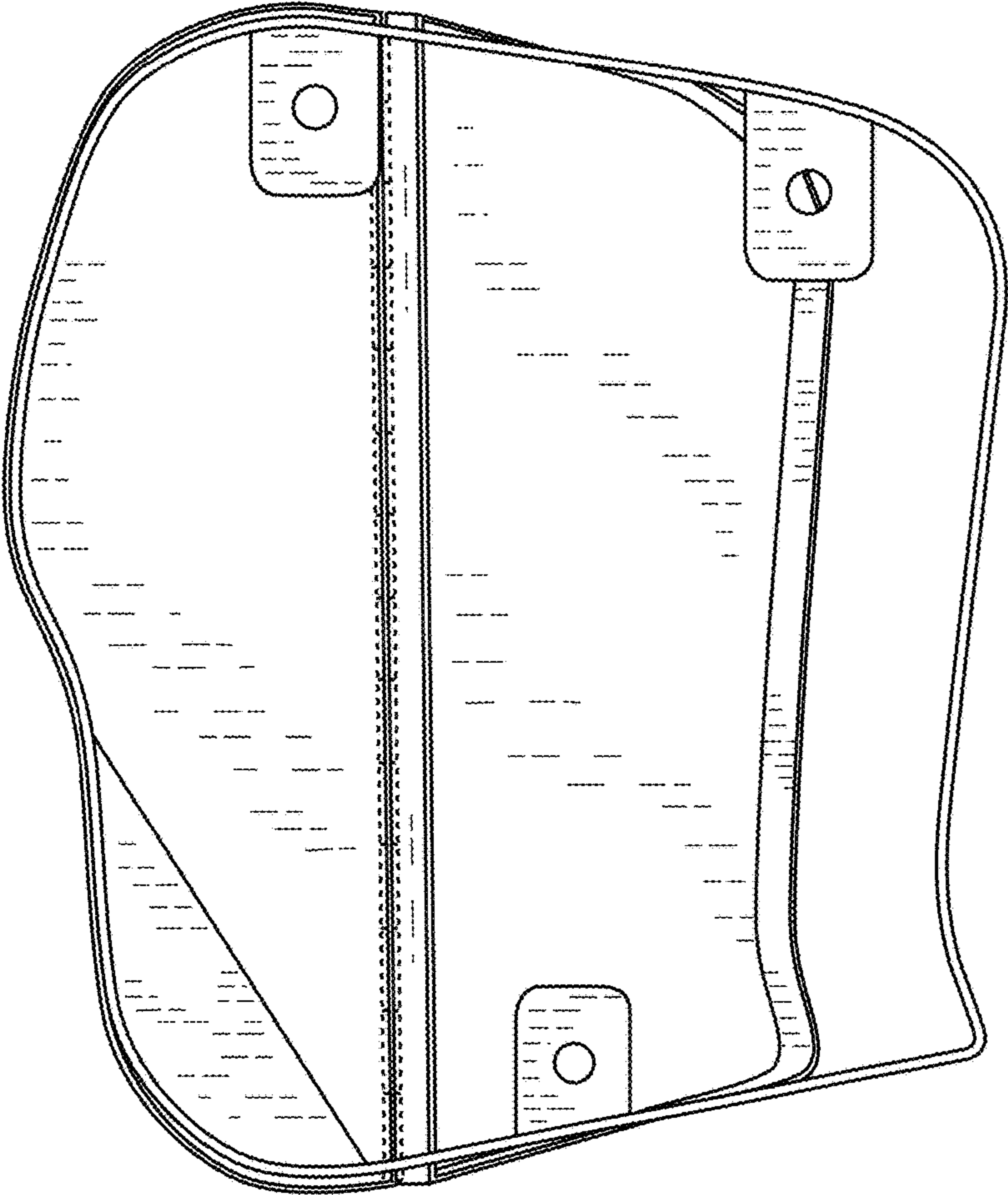


FIG. 7

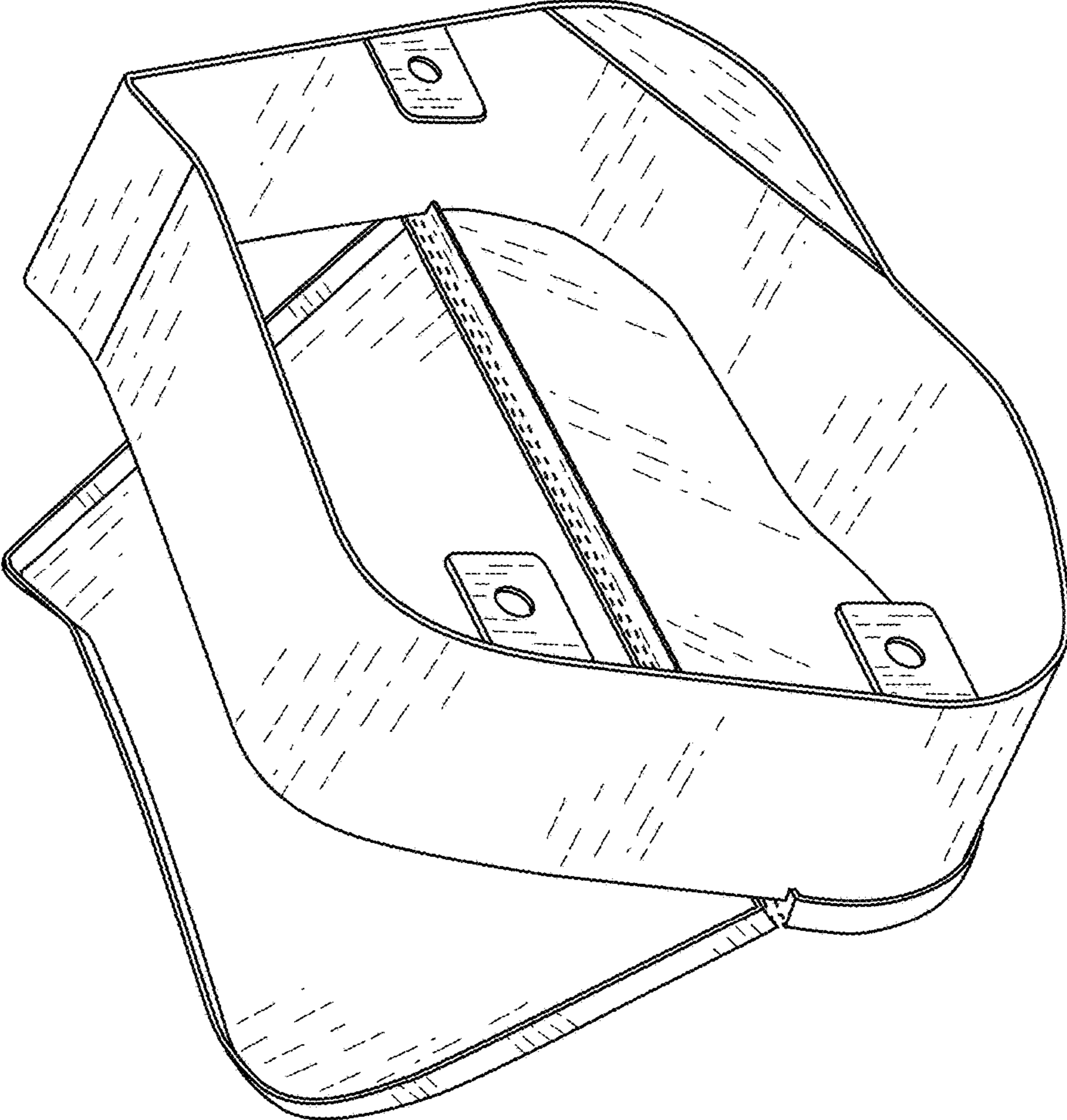


FIG. 8

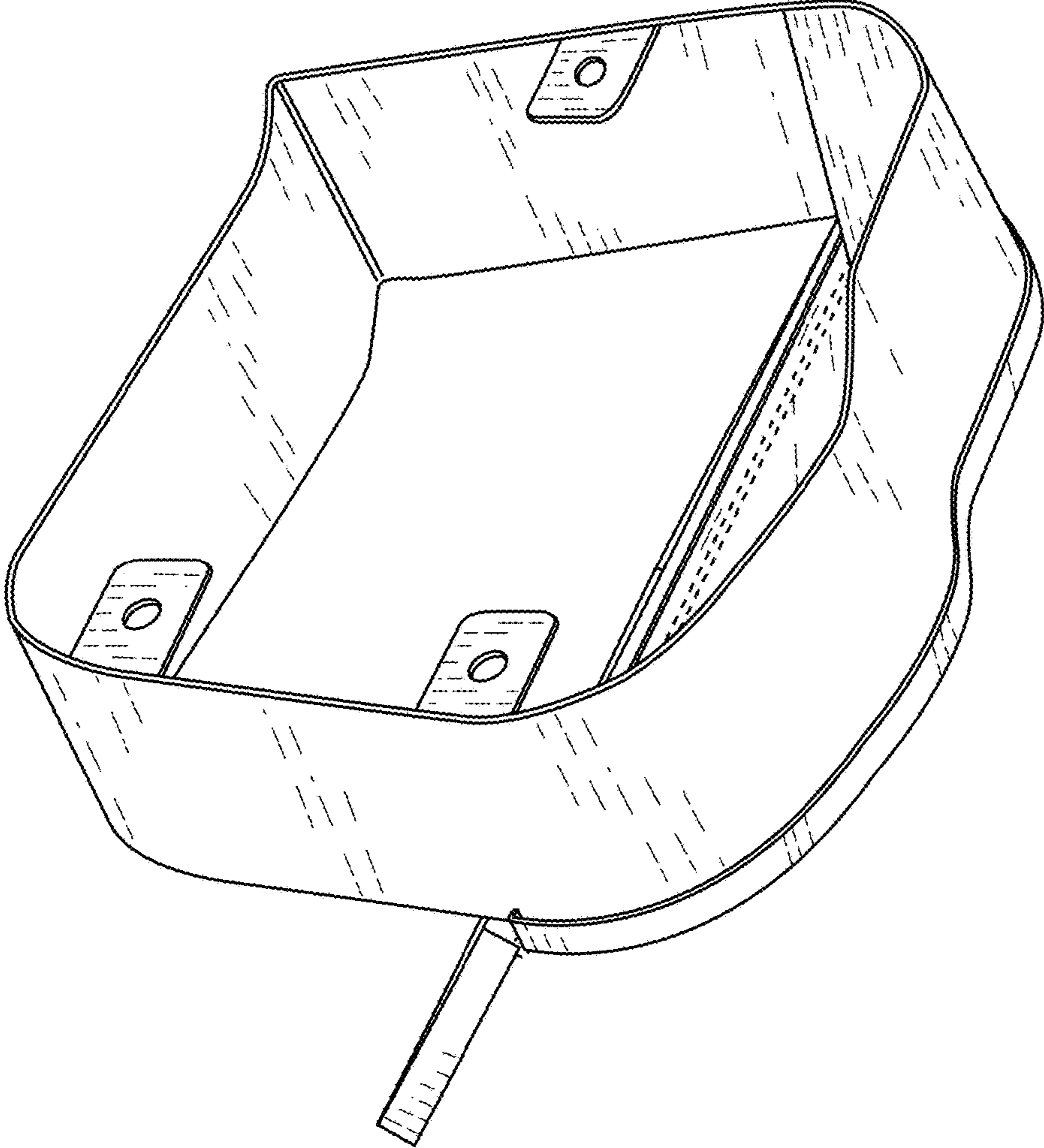


FIG. 9

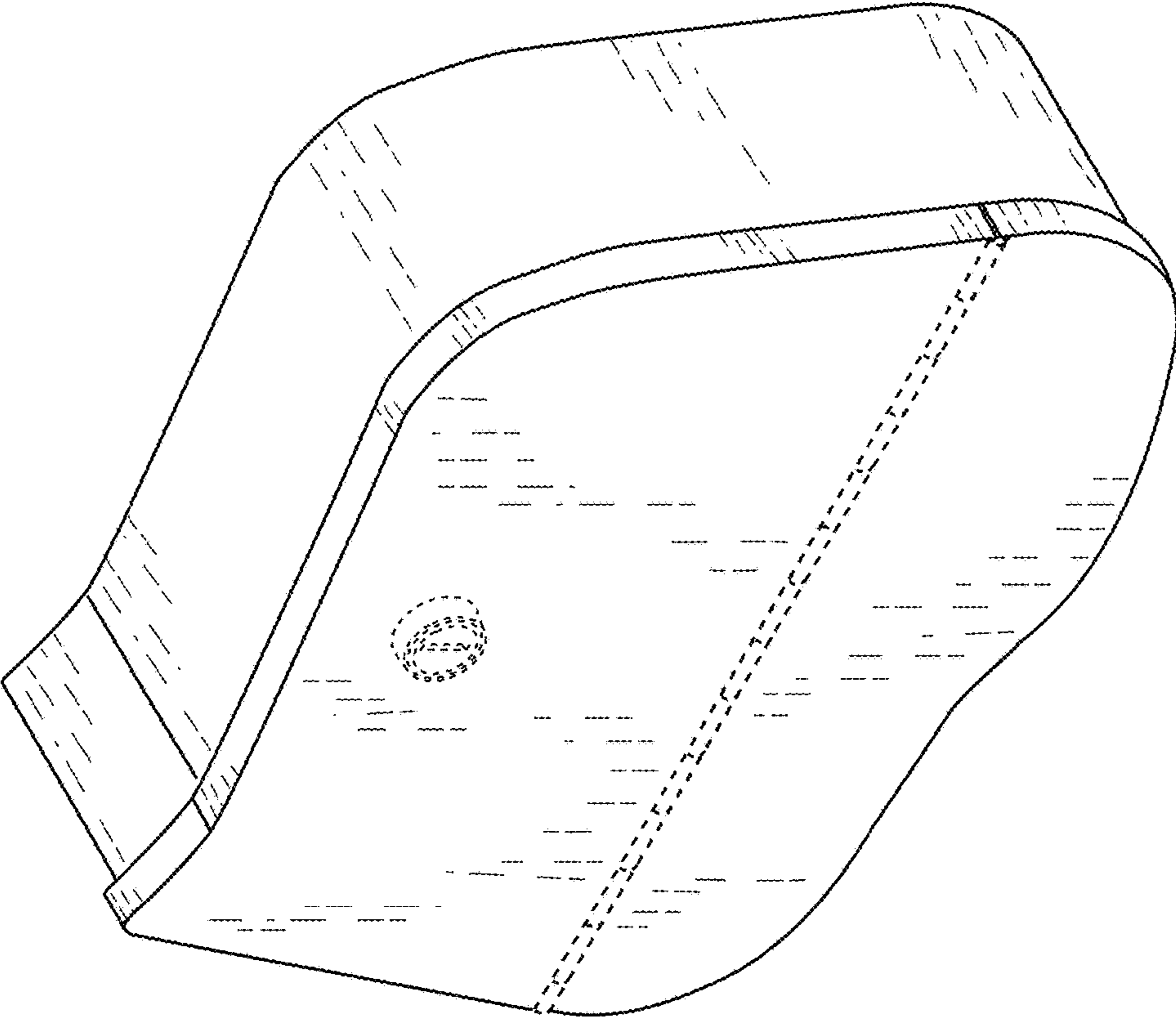


FIG. 10

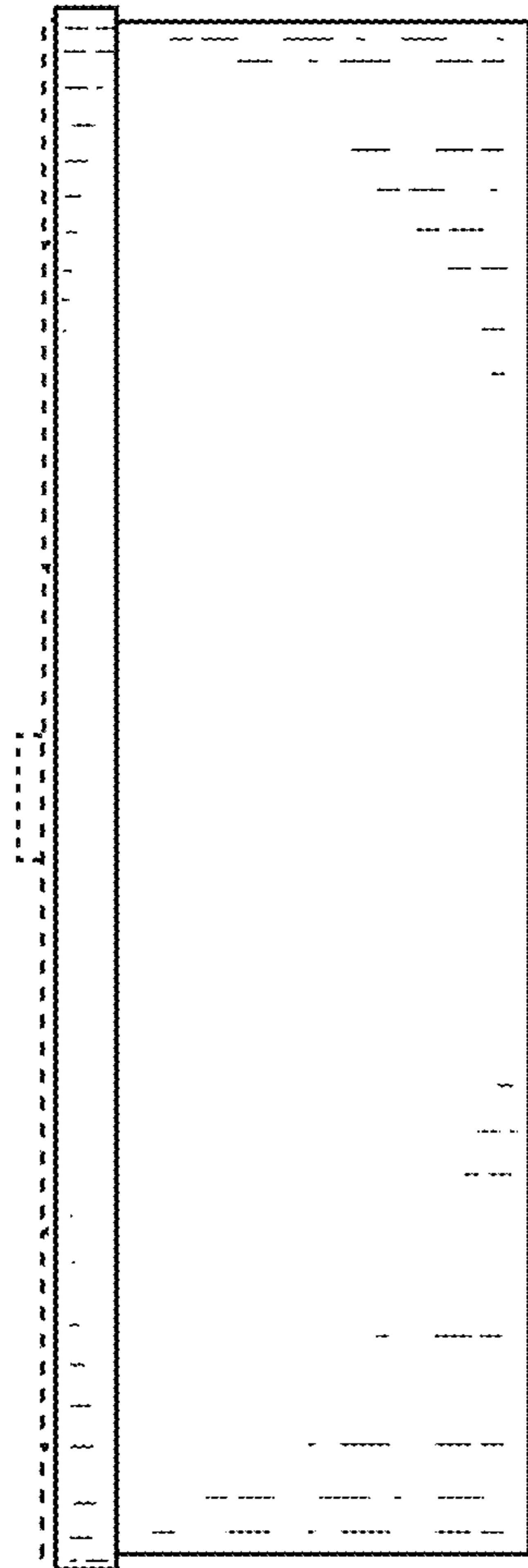


FIG. 11

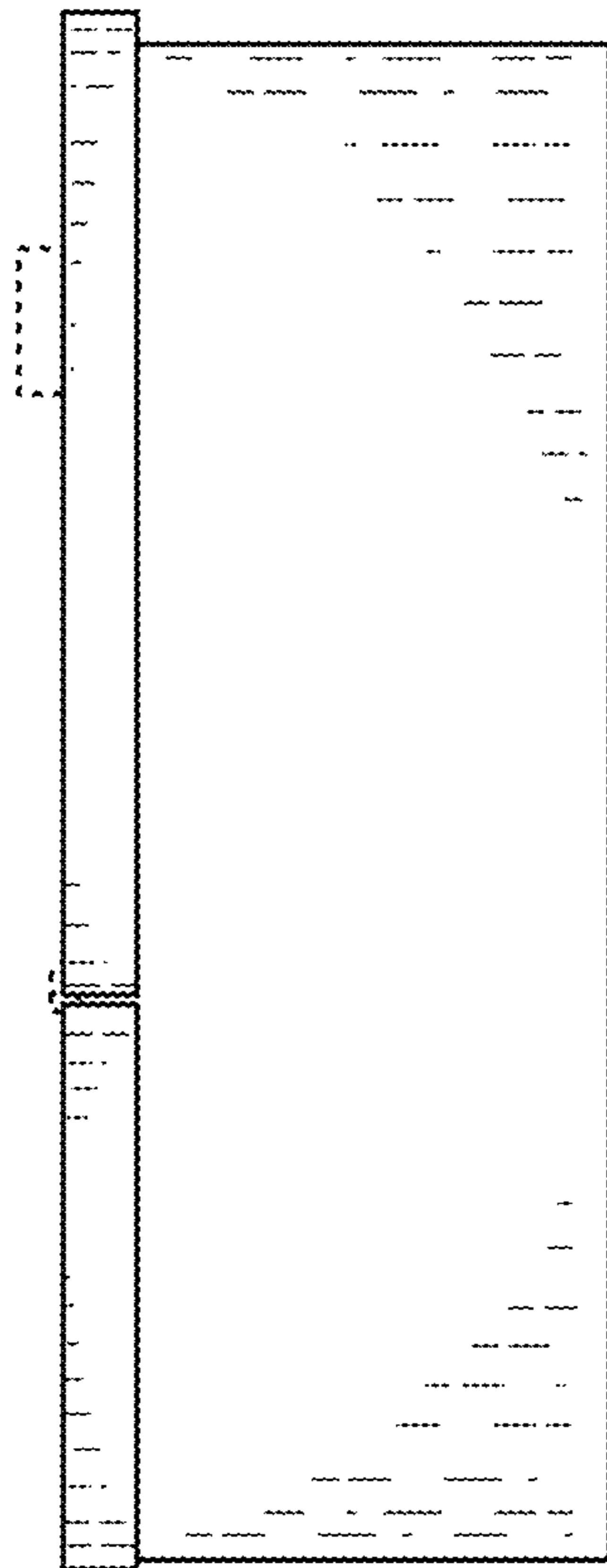


FIG. 12

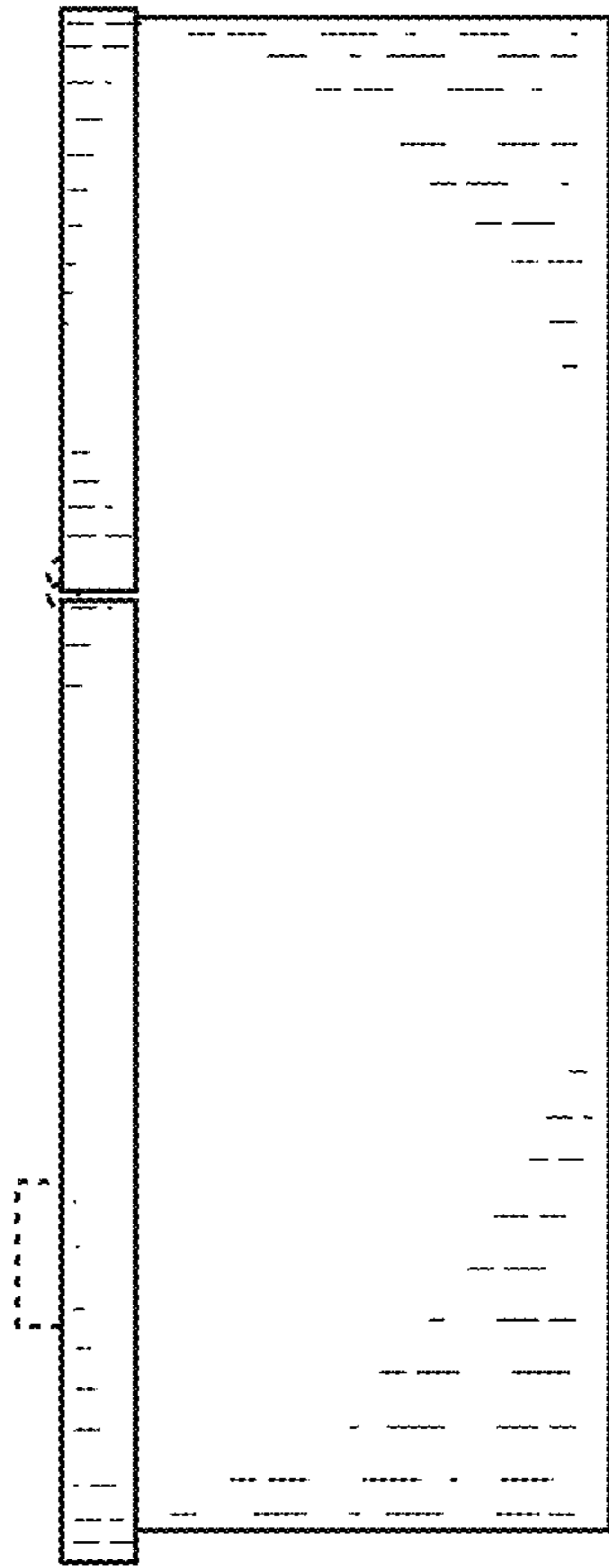


FIG. 13

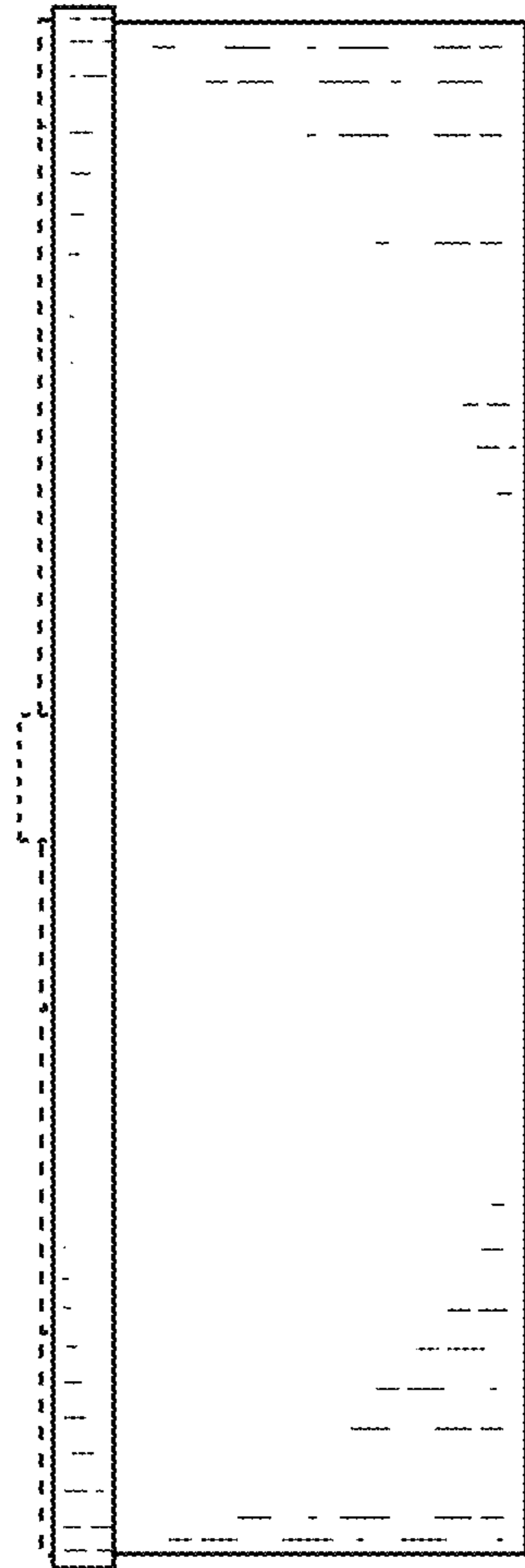


FIG. 14

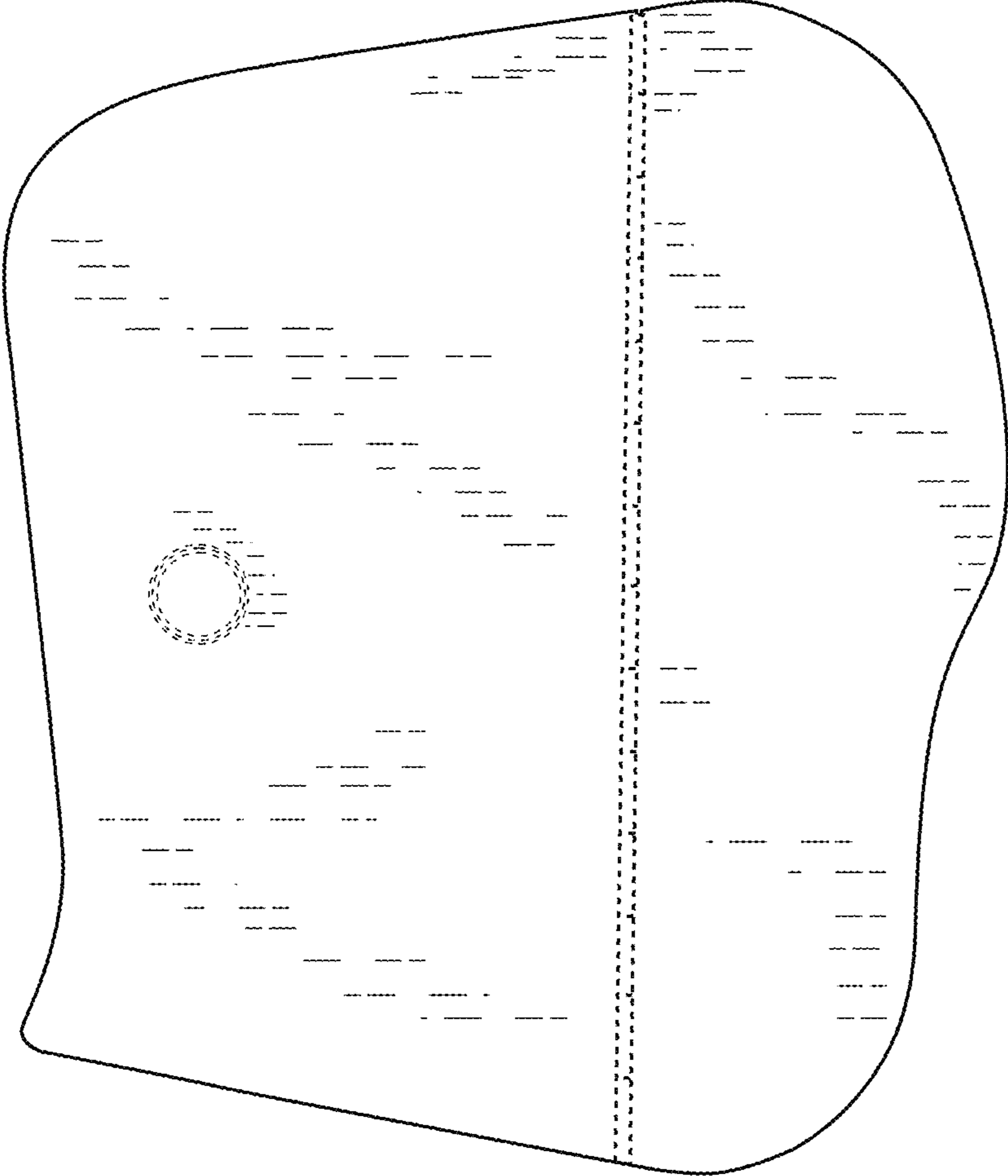


FIG. 15

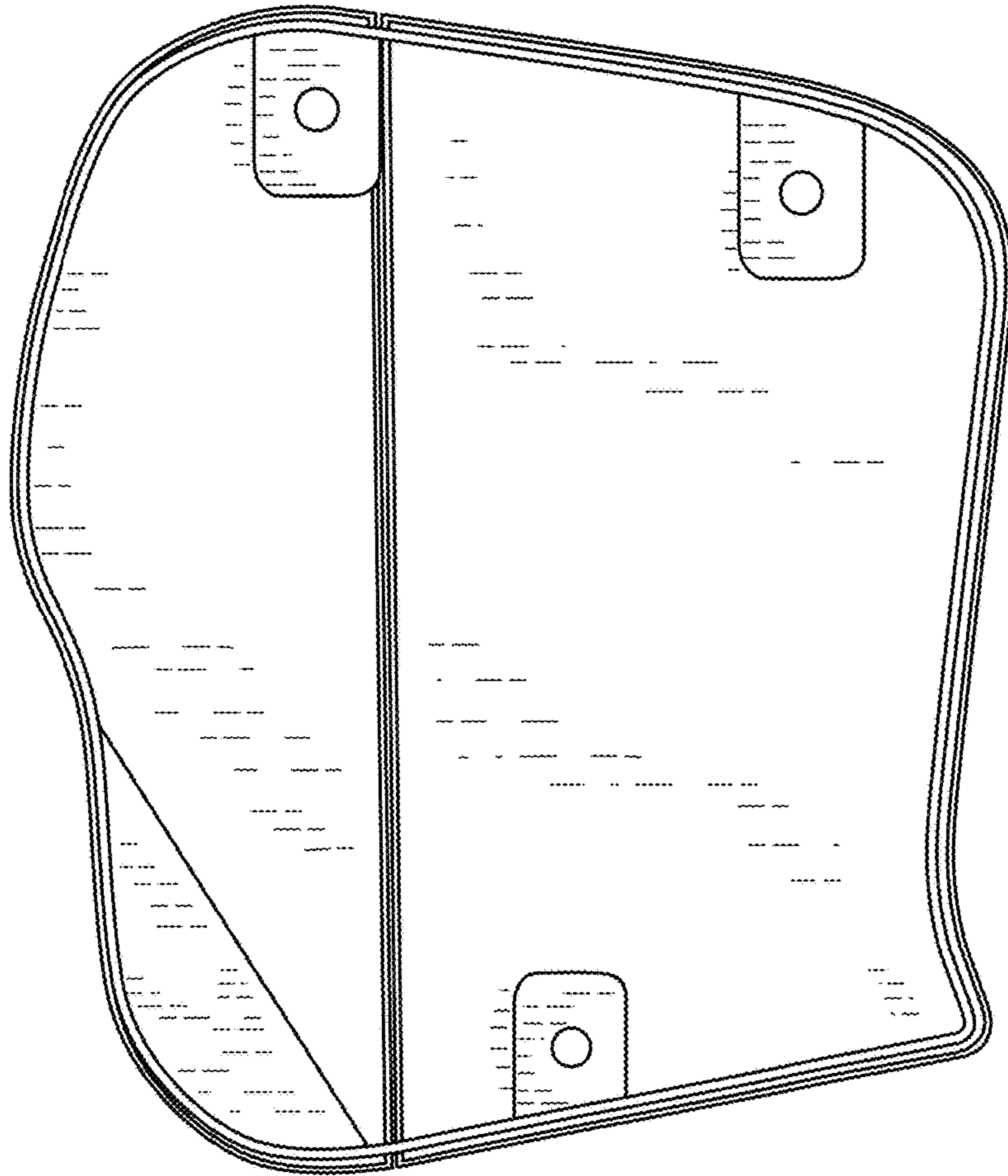


FIG. 16