



US00D826134S

(12) **United States Design Patent**  
**Winter et al.**

(10) **Patent No.:** **US D826,134 S**  
(45) **Date of Patent:** **\*\* Aug. 21, 2018**

- (54) **OUTER TIE ROD END**
- (71) Applicant: **MEVOTECH LP**, Toronto (CA)
- (72) Inventors: **Simon Winter**, Toronto (CA); **Jack McVeigh**, Toronto (CA); **Tyler Kearns**, Toronto (CA); **Rosan Luiz**, Toronto (CA)
- (73) Assignee: **MEVOTECH LP**, Toronto, Ontario (CA)
- (\*\*) Term: **15 Years**
- (21) Appl. No.: **29/601,516**
- (22) Filed: **Apr. 24, 2017**
- (30) **Foreign Application Priority Data**  
  - Oct. 24, 2016 (CA) ..... 171196
- (51) **LOC (11) Cl.** ..... **12-16**
- (52) **U.S. Cl.**  
  - USPC ..... **D12/400**
- (58) **Field of Classification Search**  
  - USPC .... D12/88, 89, 90, 159, 160, 161, 169, 176, D12/177, 400; D8/25, 400; 403/122, 403/133, 134, 135
  - CPC ..... F16D 1/12; F16C 11/06; F16C 11/0604; F16C 11/068; F16C 11/0695; B60G 21/0551

See application file for complete search history.

- 4,890,949 A \* 1/1990 Wood, Jr. .... F16C 11/0623 403/77
- 5,505,106 A \* 4/1996 Herman ..... B62D 17/00 384/276
- 5,615,967 A \* 4/1997 Hellon ..... F16C 11/0642 403/122
- 6,250,840 B1 \* 6/2001 Urbach ..... F16C 11/0638 403/133
- 6,695,521 B2 \* 2/2004 Kincaid ..... B60G 7/005 403/132
- 6,742,955 B2 \* 6/2004 Moses ..... F16C 11/068 403/122
- 6,908,251 B2 \* 6/2005 Molenaar ..... B60G 7/005 403/142
- D566,630 S \* 4/2008 Ortiz ..... D12/159
- D576,852 S \* 9/2008 Lin ..... D8/25
- D578,361 S \* 10/2008 Chen ..... D8/25
- D597,388 S \* 8/2009 Davidson ..... D8/25

(Continued)

*Primary Examiner* — Ian Simmons  
*Assistant Examiner* — Yolanda Robinson  
(74) *Attorney, Agent, or Firm* — Kusner & Jaffe

(57) **CLAIM**

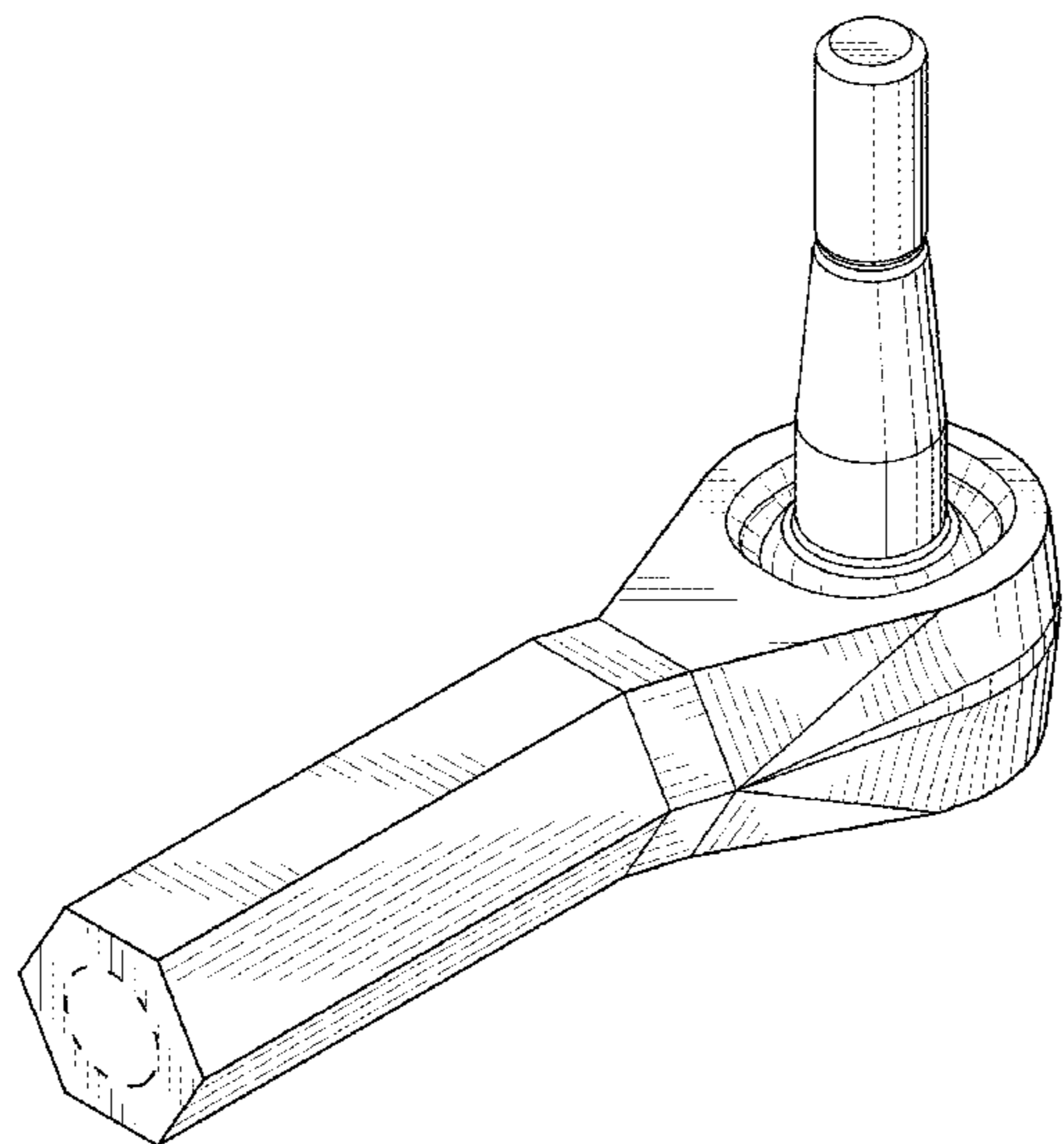
The ornamental design for an outer tie rod end, as shown and described.

**DESCRIPTION**

FIG. 1 is a top rear isometric view of an outer tie rod end, showing our design;  
FIG. 2 is a bottom front isometric view thereof;  
FIG. 3 is a rear view thereof;  
FIG. 4 is a front view thereof;  
FIG. 5 is a right side view thereof;  
FIG. 6 is a left side view thereof;  
FIG. 7 is a bottom view thereof; and,  
FIG. 8 is a top view thereof.  
The broken lines shown in the drawings illustrate portions of the outer tie rod end that form no part of the claimed design.

**1 Claim, 5 Drawing Sheets**

- (56) **References Cited**  
  - U.S. PATENT DOCUMENTS
  - 2,596,885 A \* 5/1952 Booth ..... B62D 7/20 29/517
  - 3,439,946 A \* 4/1969 Gottschald ..... B62D 7/20 403/59
  - 4,057,355 A \* 11/1977 Allison ..... B23P 11/00 384/203



(56)

**References Cited**

U.S. PATENT DOCUMENTS

D782,956 S \* 4/2017 Scott ..... D12/400  
D784,801 S \* 4/2017 Nishide ..... D8/400  
D807,164 S \* 1/2018 Nishide ..... D8/400  
2003/0059250 A1\* 3/2003 Moses ..... F16C 11/068  
403/135  
2005/0242053 A1\* 11/2005 Brabb ..... B60G 7/001  
213/64  
2009/0097909 A1\* 4/2009 Jan ..... F16C 11/06  
403/135  
2009/0185852 A1\* 7/2009 Molenaar ..... B60G 7/001  
403/143  
2009/0238636 A1\* 9/2009 Howe ..... F16C 11/069  
403/127  
2010/0299108 A1\* 11/2010 Glaser ..... G06F 17/5018  
703/1  
2013/0298374 A1\* 11/2013 Lucas ..... B25B 27/0035  
29/426.5  
2017/0276170 A1\* 9/2017 Nachbar ..... F16C 11/0695

\* cited by examiner

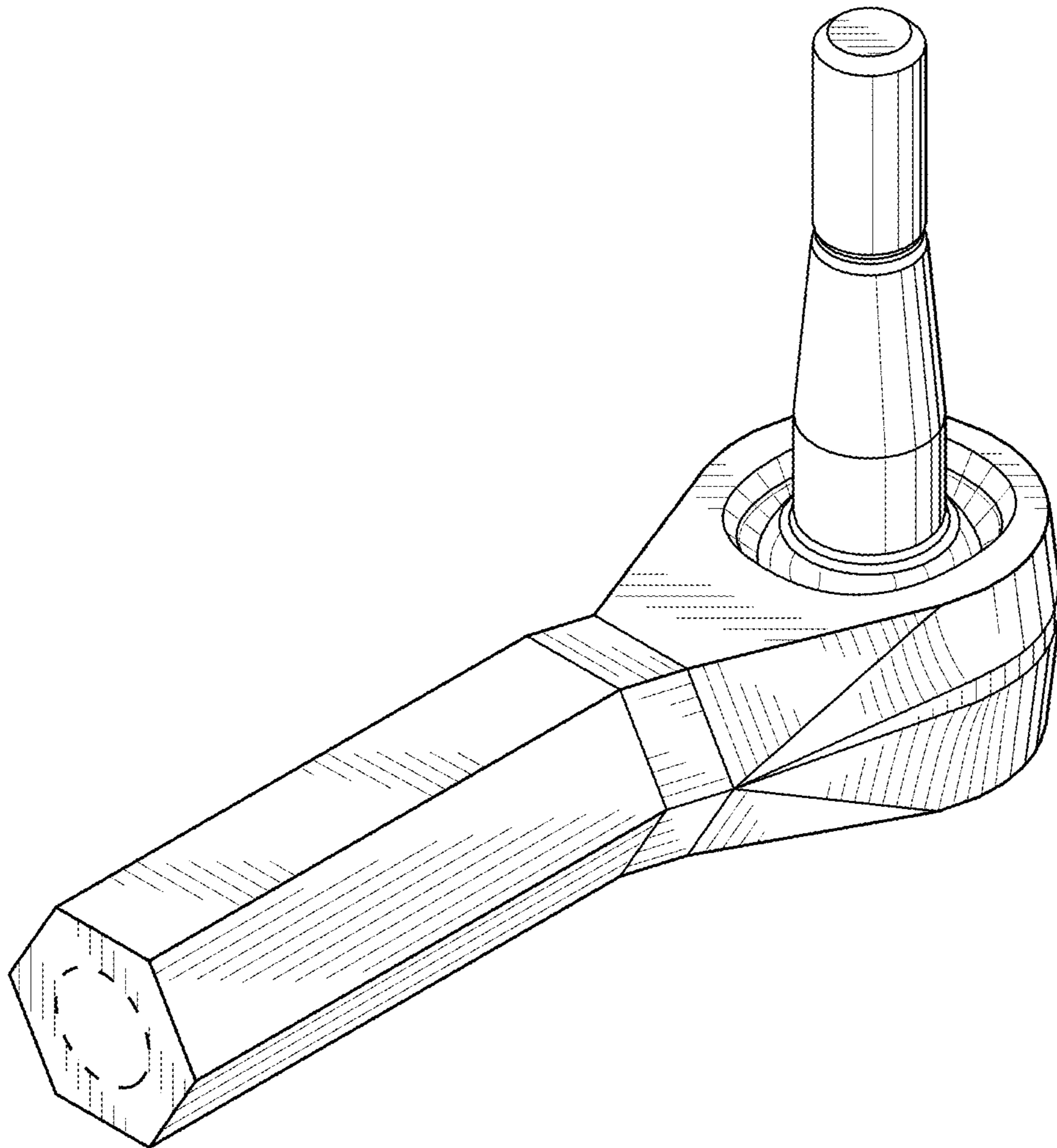


FIG. 1

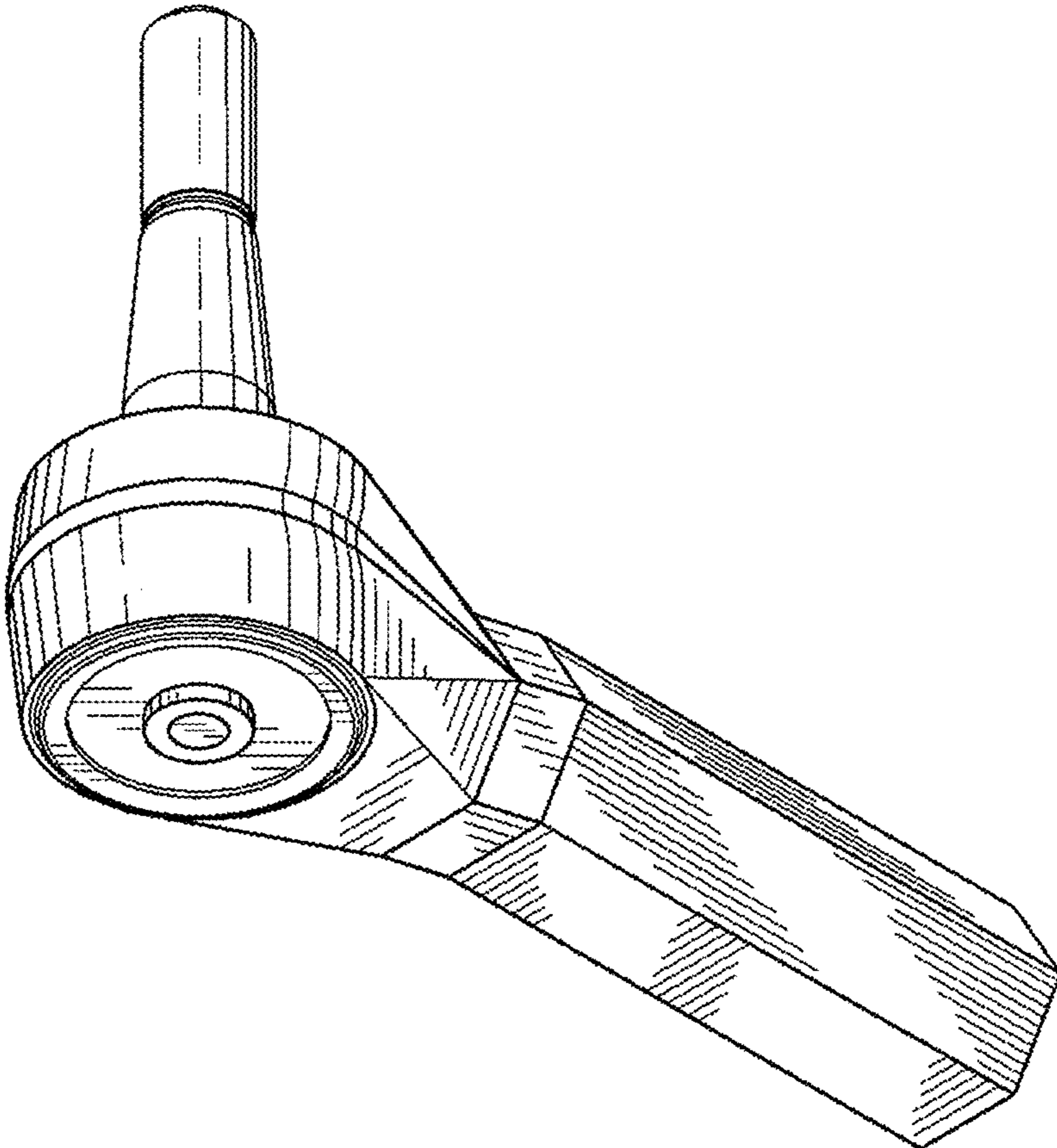


FIG.2

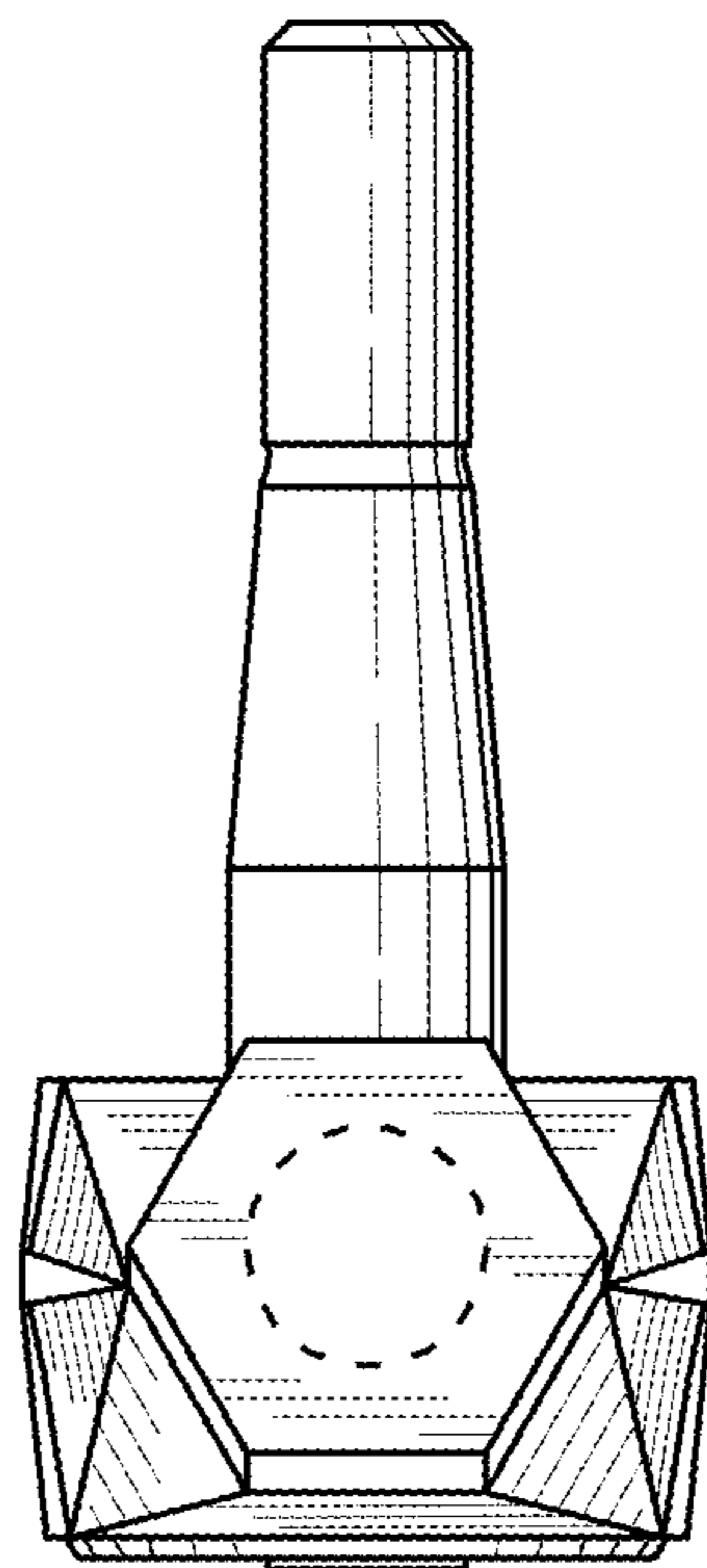


FIG.3

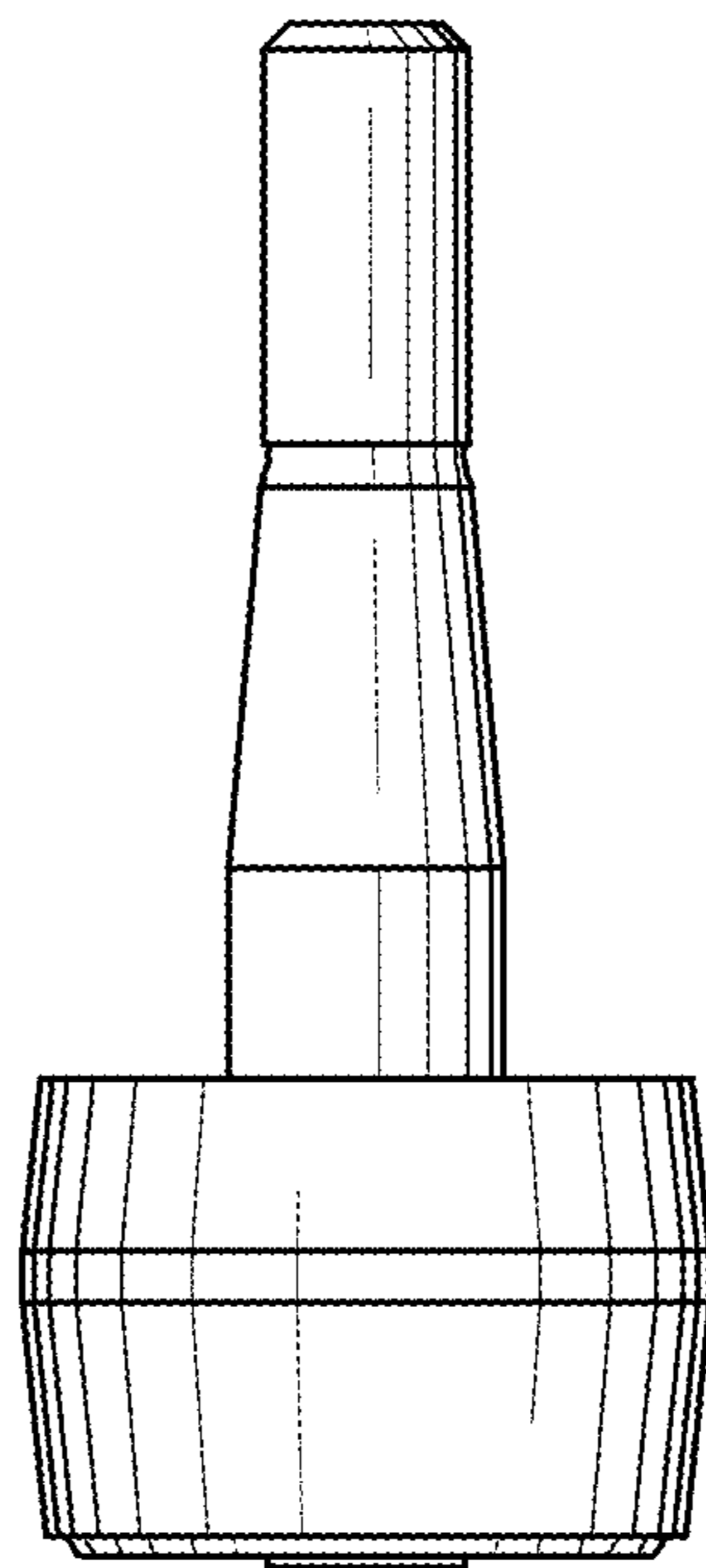


FIG.4

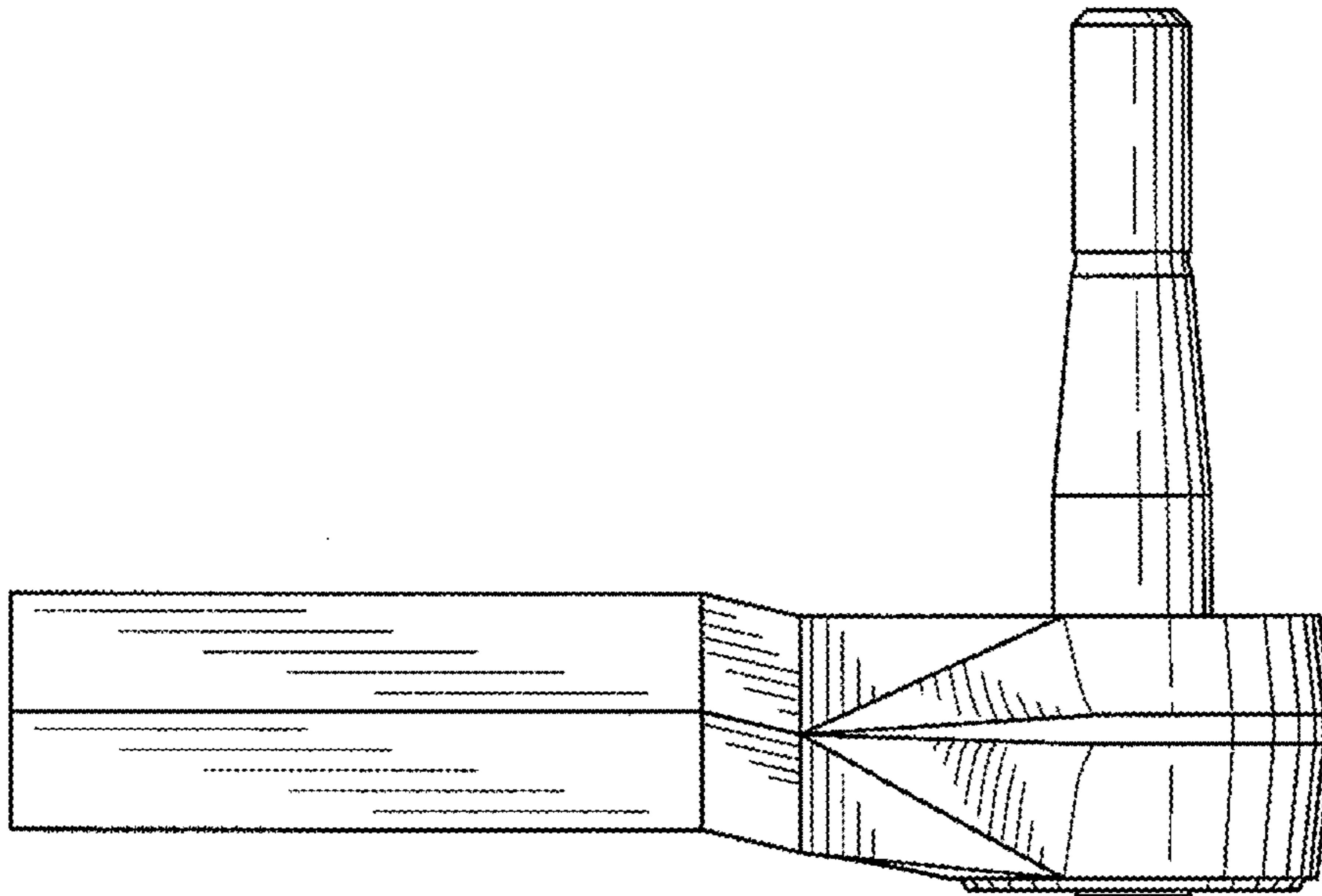


FIG. 5

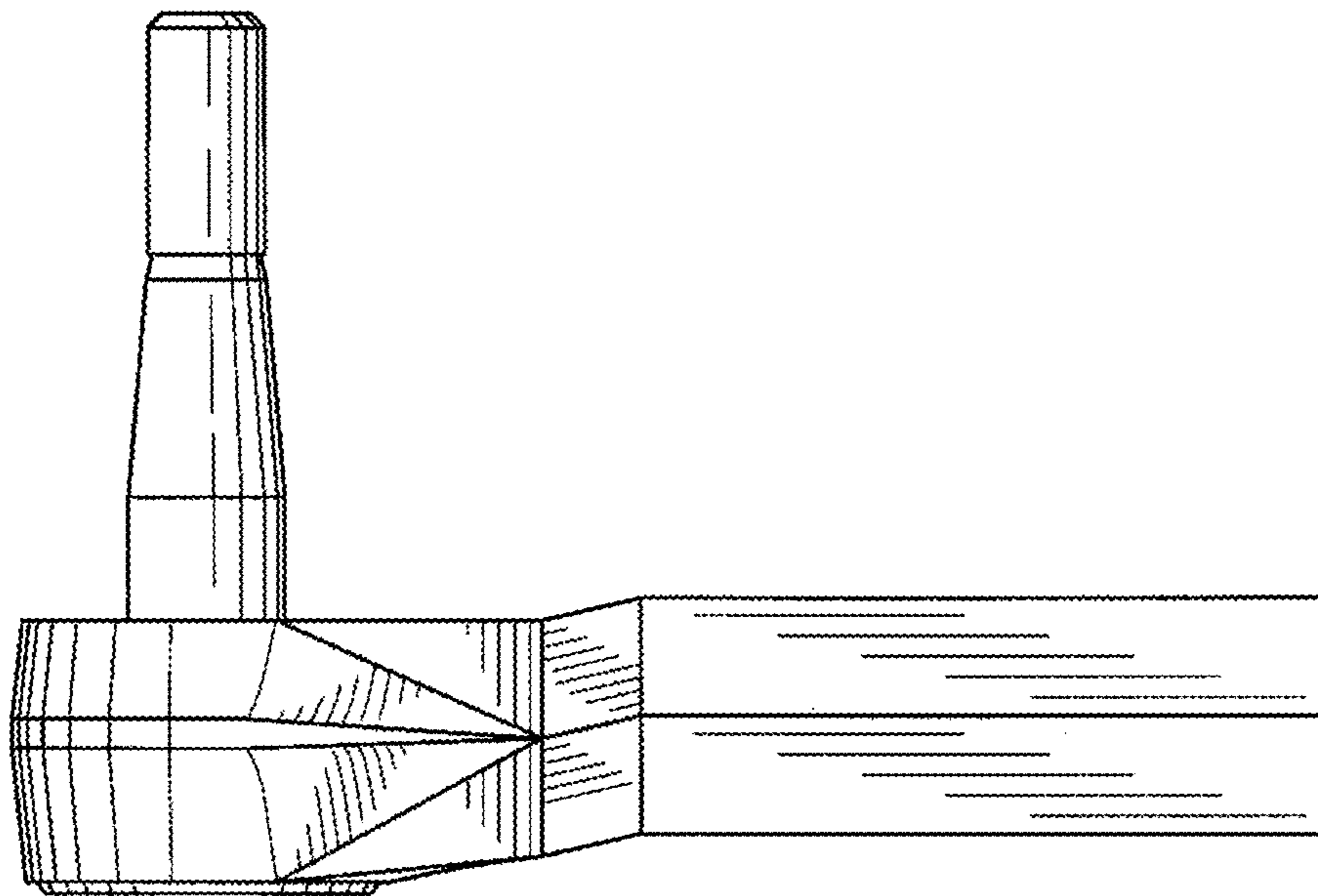


FIG. 6

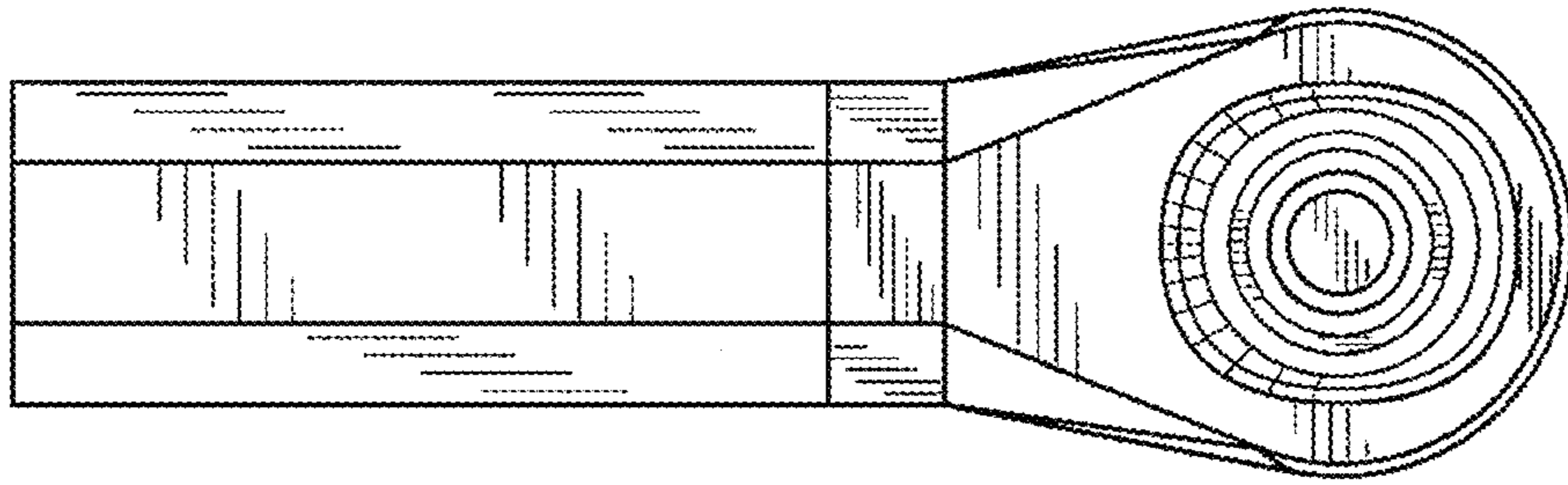


FIG. 7

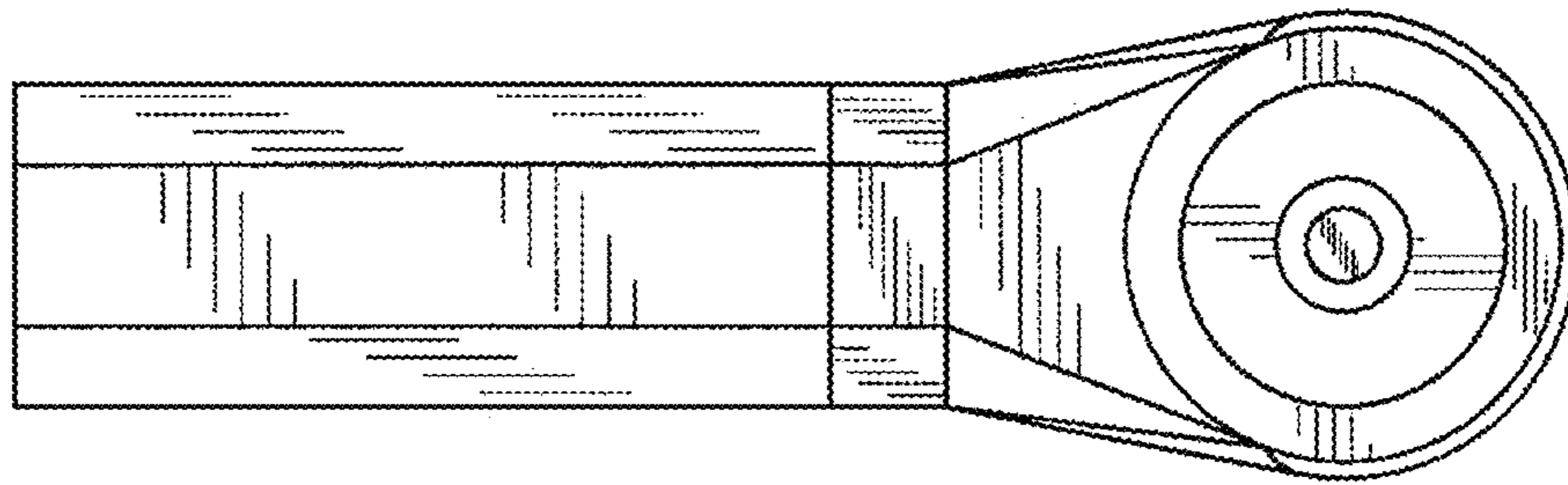


FIG. 8