



US00D826133S

(12) **United States Design Patent** (10) **Patent No.:** **US D826,133 S**  
**Loew et al.** (45) **Date of Patent:** **\*\* Aug. 21, 2018**

(54) **TANK FOR A VEHICLE**  
(71) Applicant: **BOMAG GmbH**, Boppard (DE)  
(72) Inventors: **Roland Loew**, Klein-Winternheim (DE); **Christian Berg**, Völkenroth (DE); **Thomas Klein**, Wehr (DE); **Tobias Schönberg**, Oberelbert (DE)  
(73) Assignee: **BOMAG GmbH**, Boppard (DE)  
(\*\*) Term: **15 Years**  
(21) Appl. No.: **29/587,380**  
(22) Filed: **Dec. 13, 2016**

(30) **Foreign Application Priority Data**  
Jun. 13, 2016 (EM) ..... 003188713-0015  
(51) **LOC (11) Cl.** ..... **12-06**  
(52) **U.S. Cl.**  
USPC ..... **D12/218**  
(58) **Field of Classification Search**  
USPC ..... D12/218; D15/15, 17, 23, 28  
CPC .... B60K 15/00; B60K 15/03; B60K 15/0306;  
B60K 15/063; B60K 15/073; B60K  
15/07; F02M 37/0094; B62D 21/16  
See application file for complete search history.

(56) **References Cited**  
U.S. PATENT DOCUMENTS  
4,480,845 A \* 11/1984 Hansen ..... B60K 15/00  
280/164.1  
D282,921 S \* 3/1986 Eureka ..... D12/218  
D433,425 S \* 11/2000 Surrige ..... D15/17  
D435,503 S \* 12/2000 Gukeisen ..... D12/218  
D441,710 S \* 5/2001 Moehle ..... D12/218  
6,550,811 B1 \* 4/2003 Bennett ..... B60K 15/03  
180/314

D484,893 S \* 1/2004 Hsiao ..... D15/9  
D551,153 S \* 9/2007 Oury ..... D12/218  
D562,350 S \* 2/2008 Higashikawa ..... D12/218  
D564,431 S \* 3/2008 Orr ..... D12/196  
D588,054 S \* 3/2009 Xi-Ren ..... D12/218  
D644,160 S \* 8/2011 Fries ..... D12/218  
D644,161 S \* 8/2011 Fries ..... D12/218  
D647,166 S \* 10/2011 Kimball ..... D23/202  
D655,372 S \* 3/2012 Kimball ..... D23/202  
D656,520 S \* 3/2012 Ortlund ..... D12/218  
D663,325 S \* 7/2012 Thunstrom ..... D15/13  
D669,099 S \* 10/2012 Ringer ..... D15/28  
D694,167 S \* 11/2013 Forsberg ..... D12/218  
D695,202 S \* 12/2013 Forsberg ..... D12/218  
D713,424 S \* 9/2014 Gonzales ..... D15/28  
D728,632 S \* 5/2015 Klassen ..... D12/218  
D728,633 S \* 5/2015 Klassen ..... D12/218

(Continued)

*Primary Examiner* — Darlington Ly  
(74) *Attorney, Agent, or Firm* — Wood Herron & Evans LLP

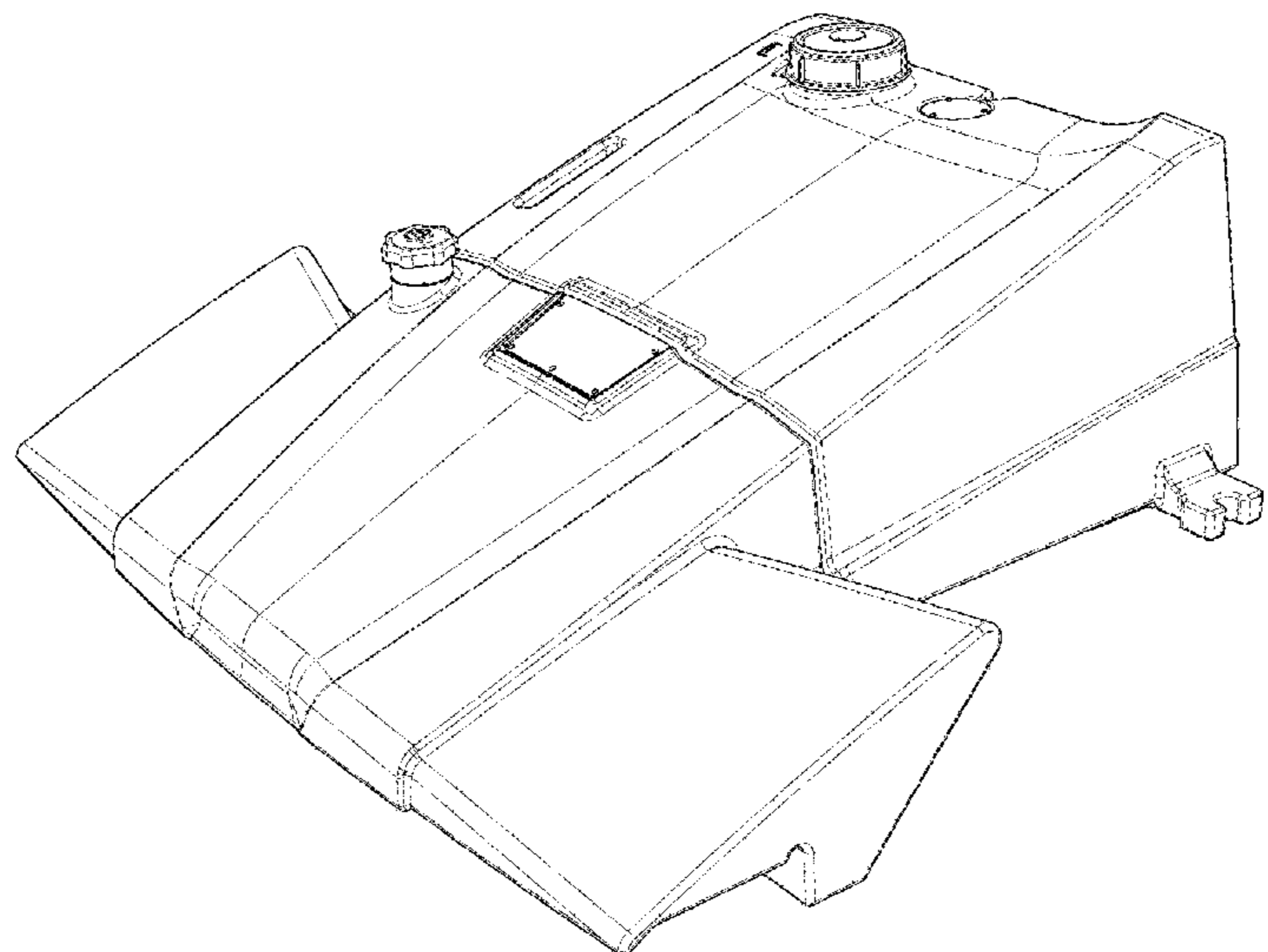
(57) **CLAIM**

The ornamental design for a tank for a vehicle, as shown and described.

**DESCRIPTION**

FIG. 1 is a top, front, and right side perspective view of a tank for a vehicle showing our new design;  
FIG. 2 is a top, front, and left side perspective view thereof;  
FIG. 3 is a top, rear, and right side perspective view thereof;  
FIG. 4 is a top, rear, and left side perspective view thereof;  
FIG. 5 is a front elevation view thereof;  
FIG. 6 is a top plan view thereof;  
FIG. 7 is a left side elevation view thereof; and,  
FIG. 8 is a right side elevation view thereof.  
The broken lines in the drawings illustrate portions of the tank for a vehicle that form no part of the claimed design.

**1 Claim, 8 Drawing Sheets**



(56)

**References Cited**

U.S. PATENT DOCUMENTS

D772,773 S \* 11/2016 Andersen ..... D12/218  
D775,238 S \* 12/2016 Roemer ..... D12/218  
D792,479 S \* 7/2017 Sasaki ..... D15/17

\* cited by examiner

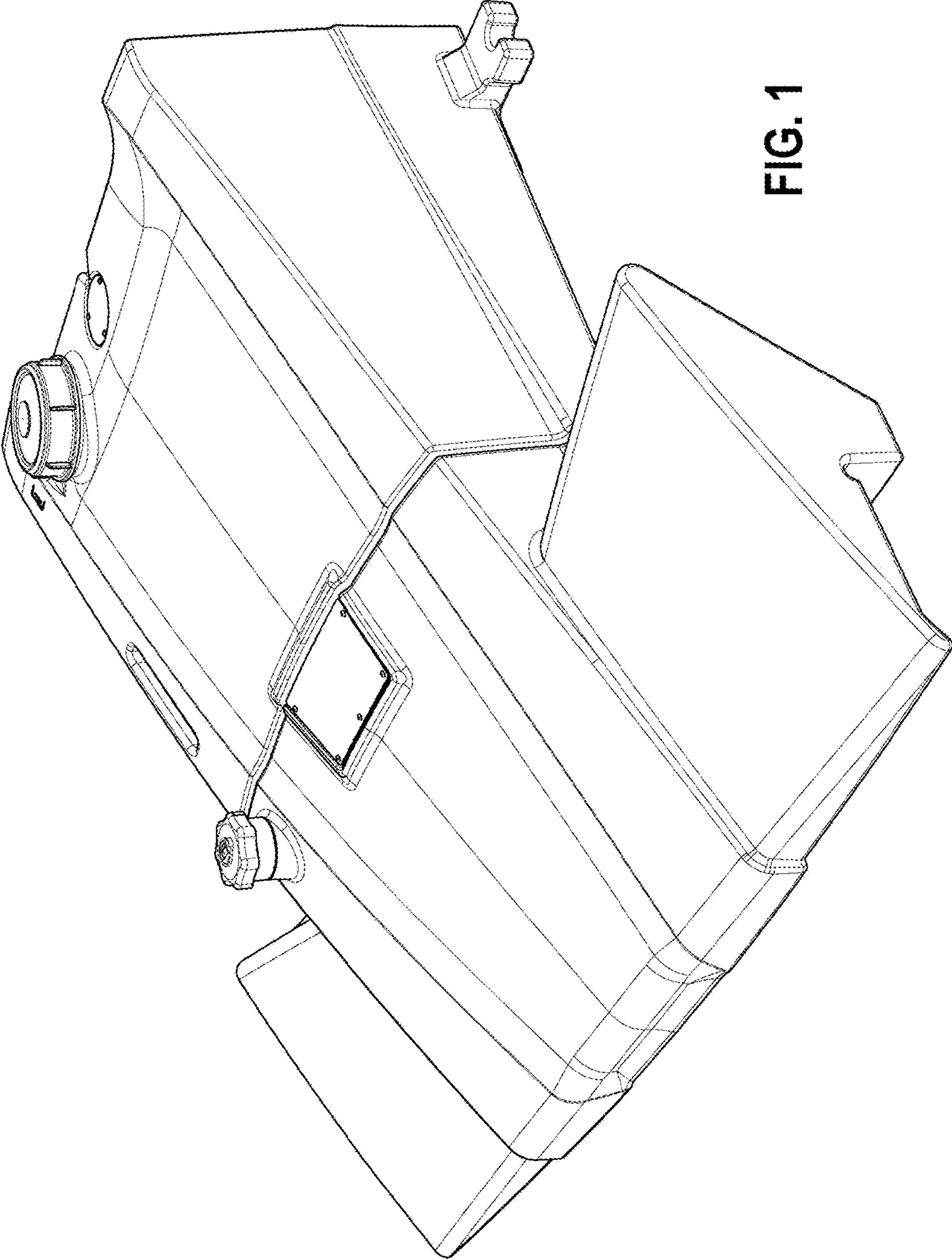


FIG. 1



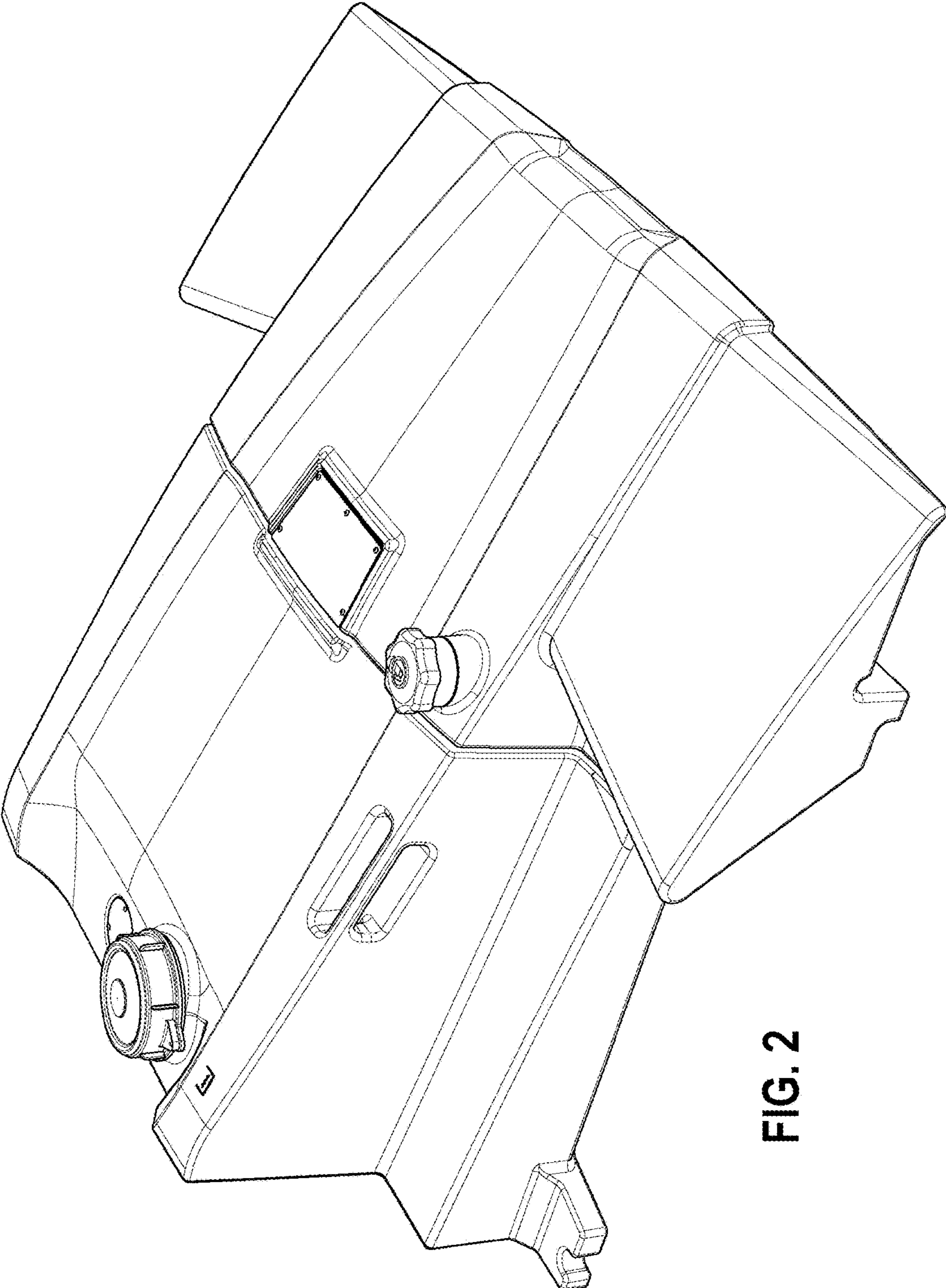


FIG. 2

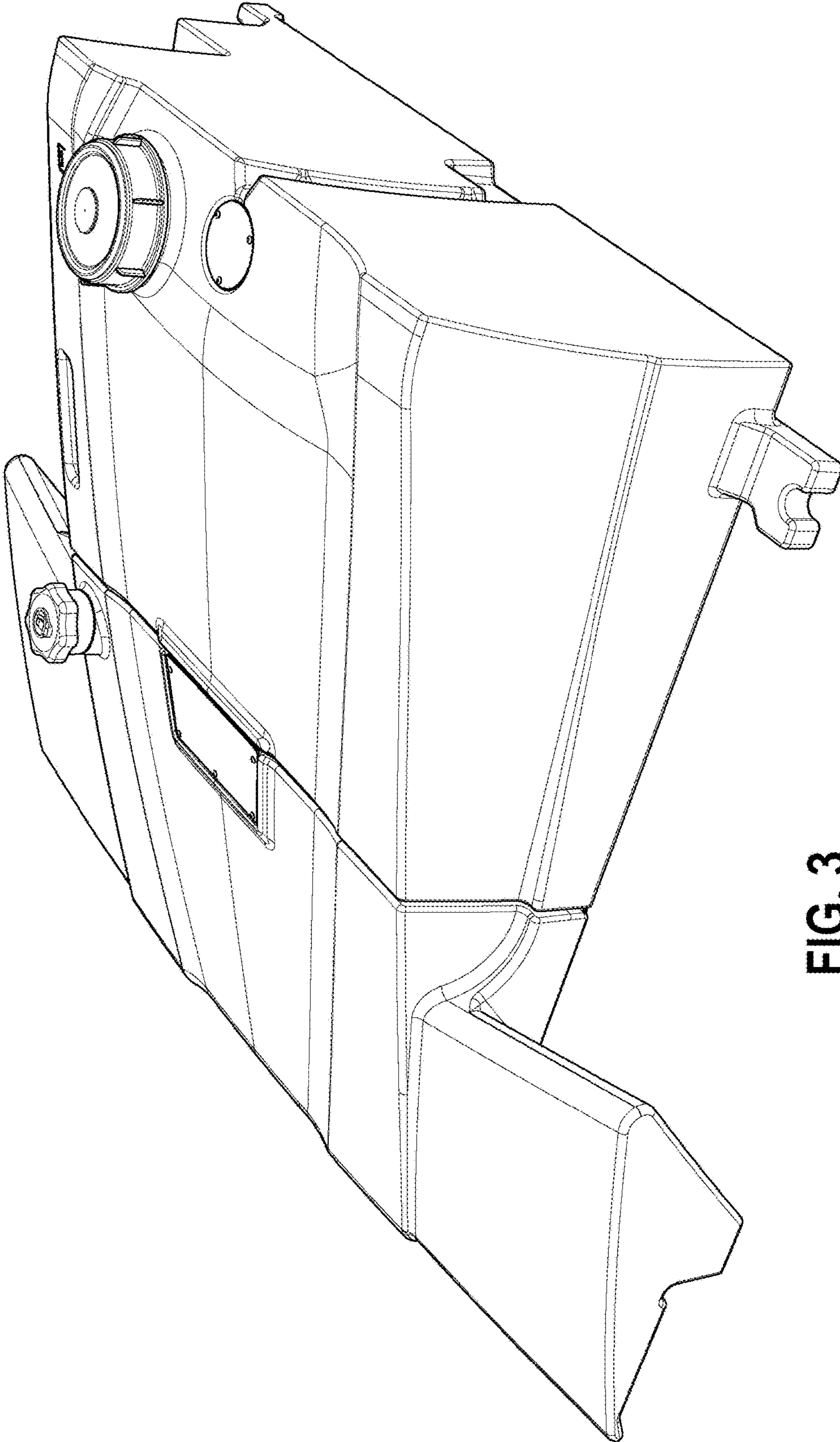


FIG. 3

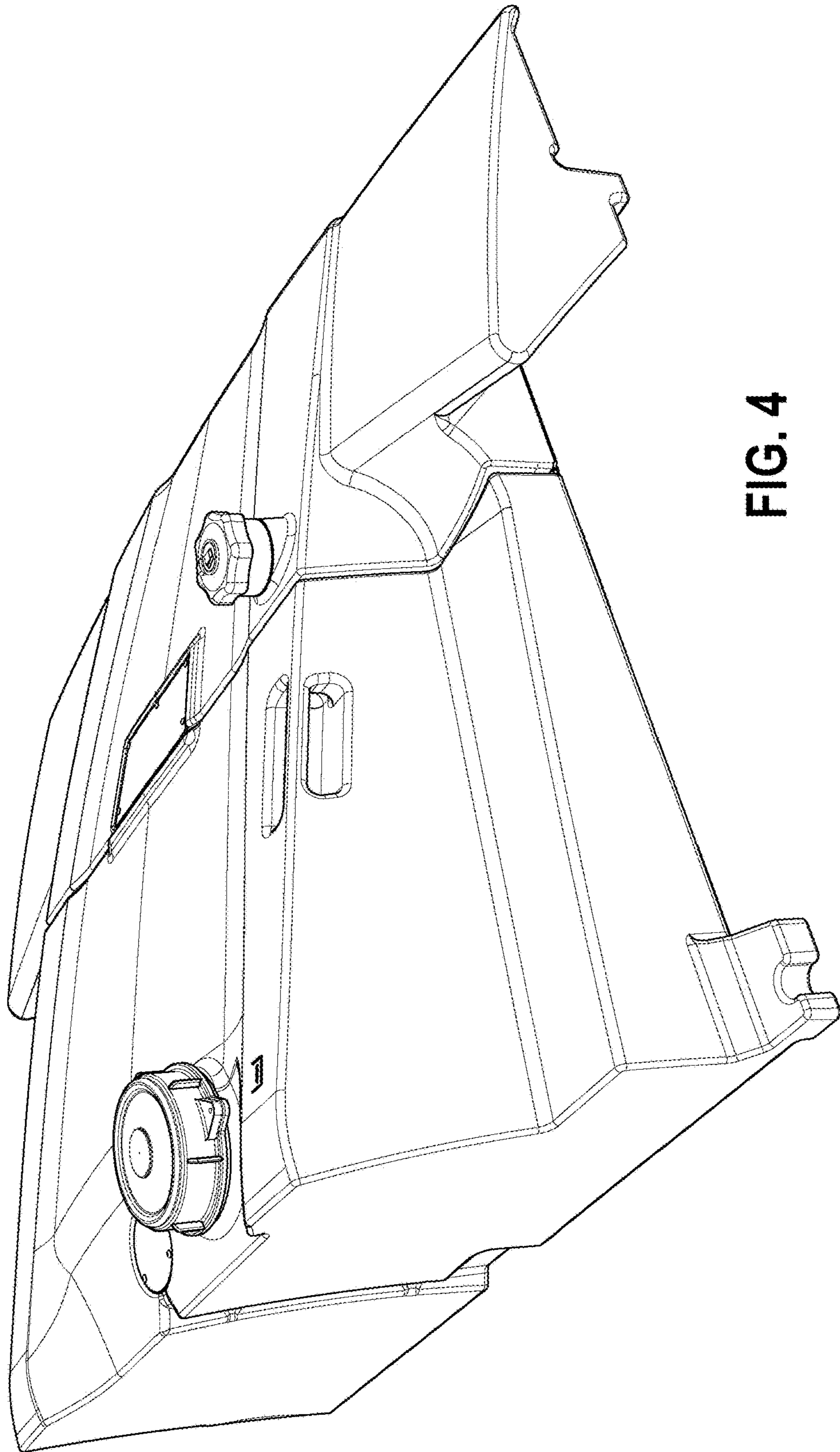


FIG. 4



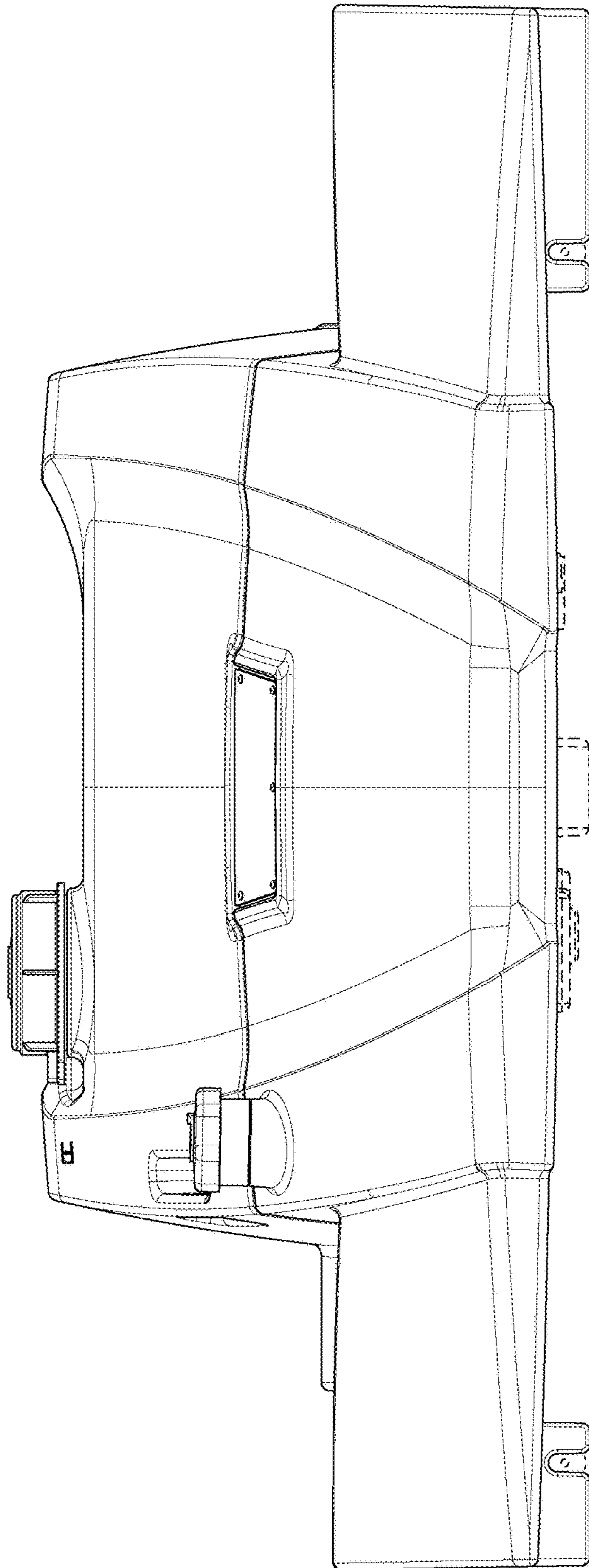


FIG. 5

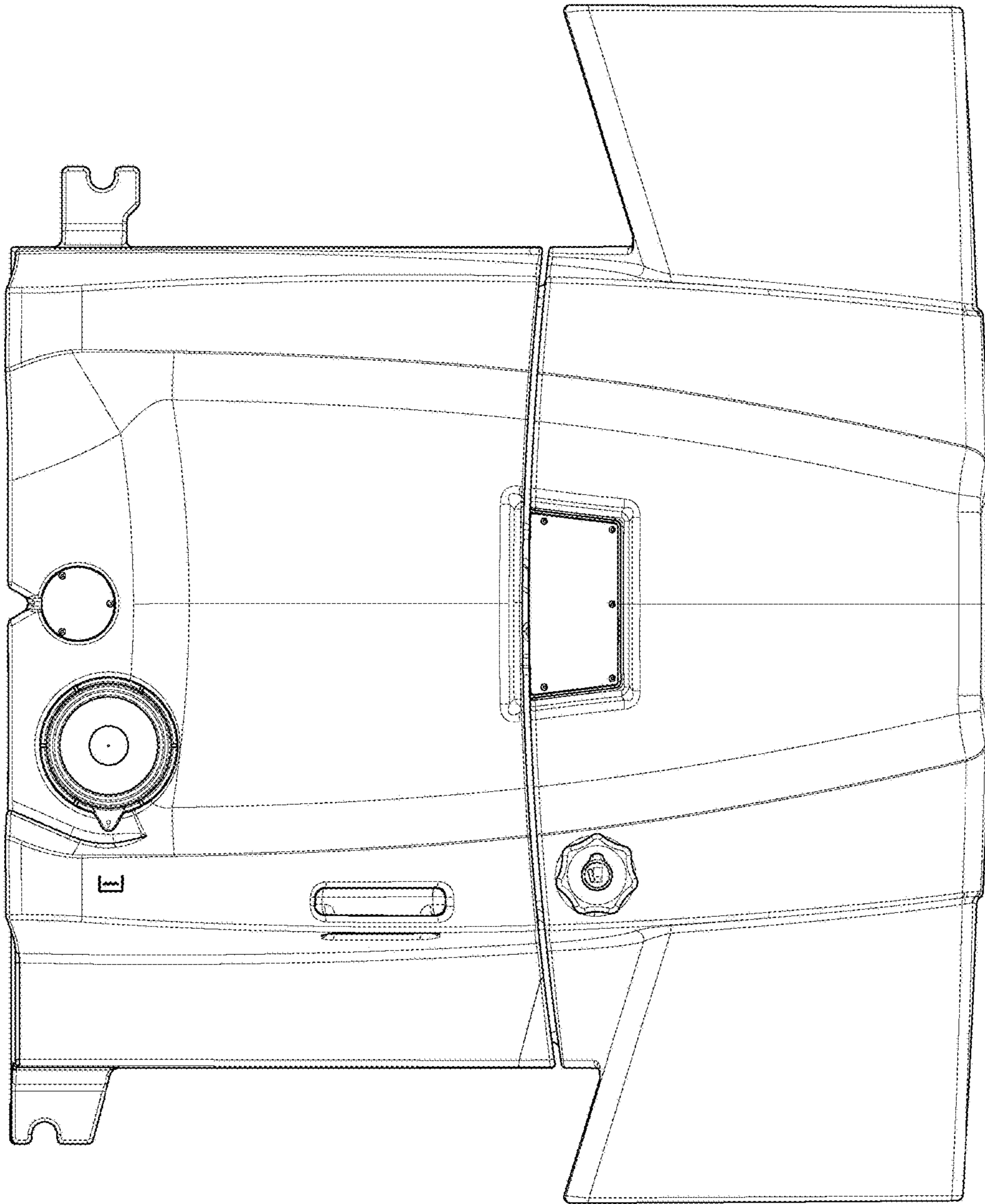


FIG. 6



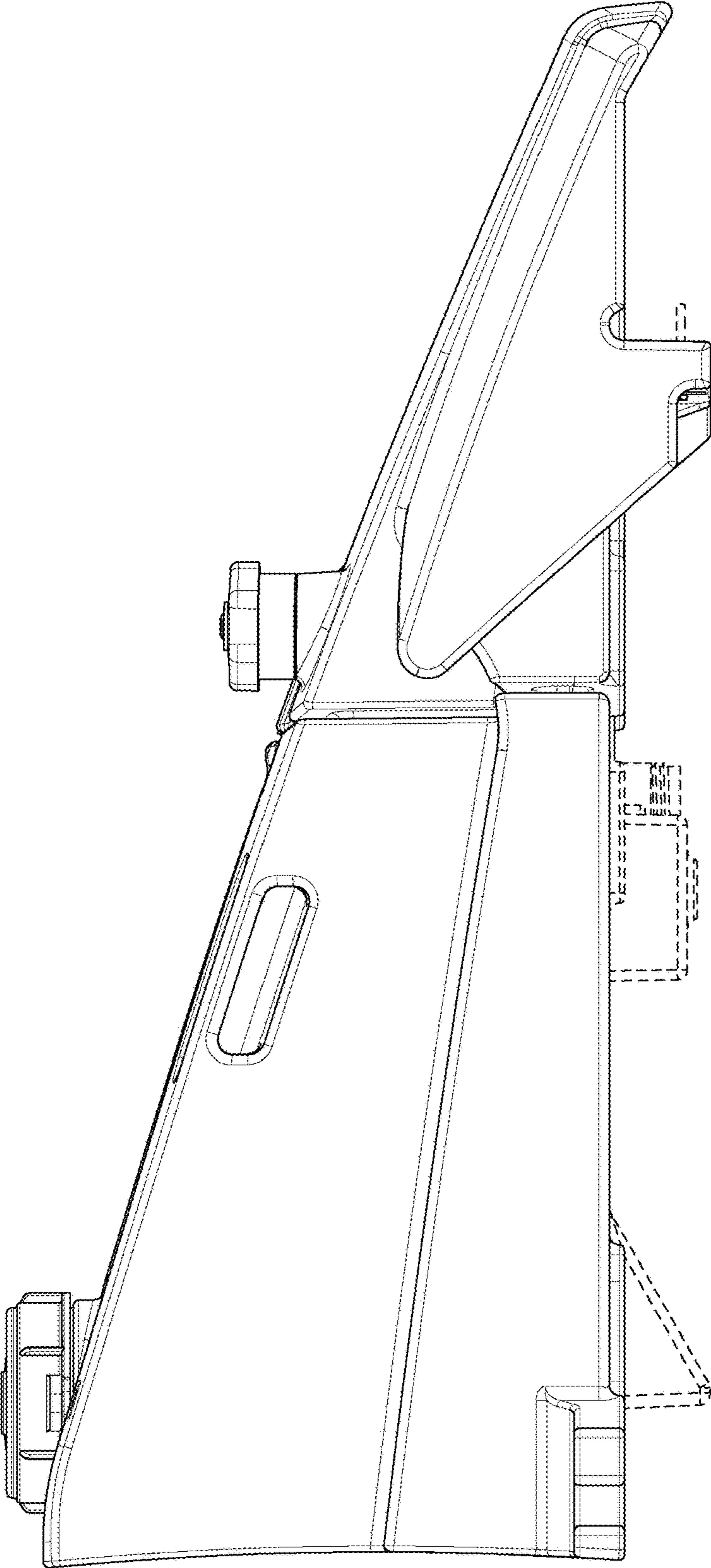


FIG. 7

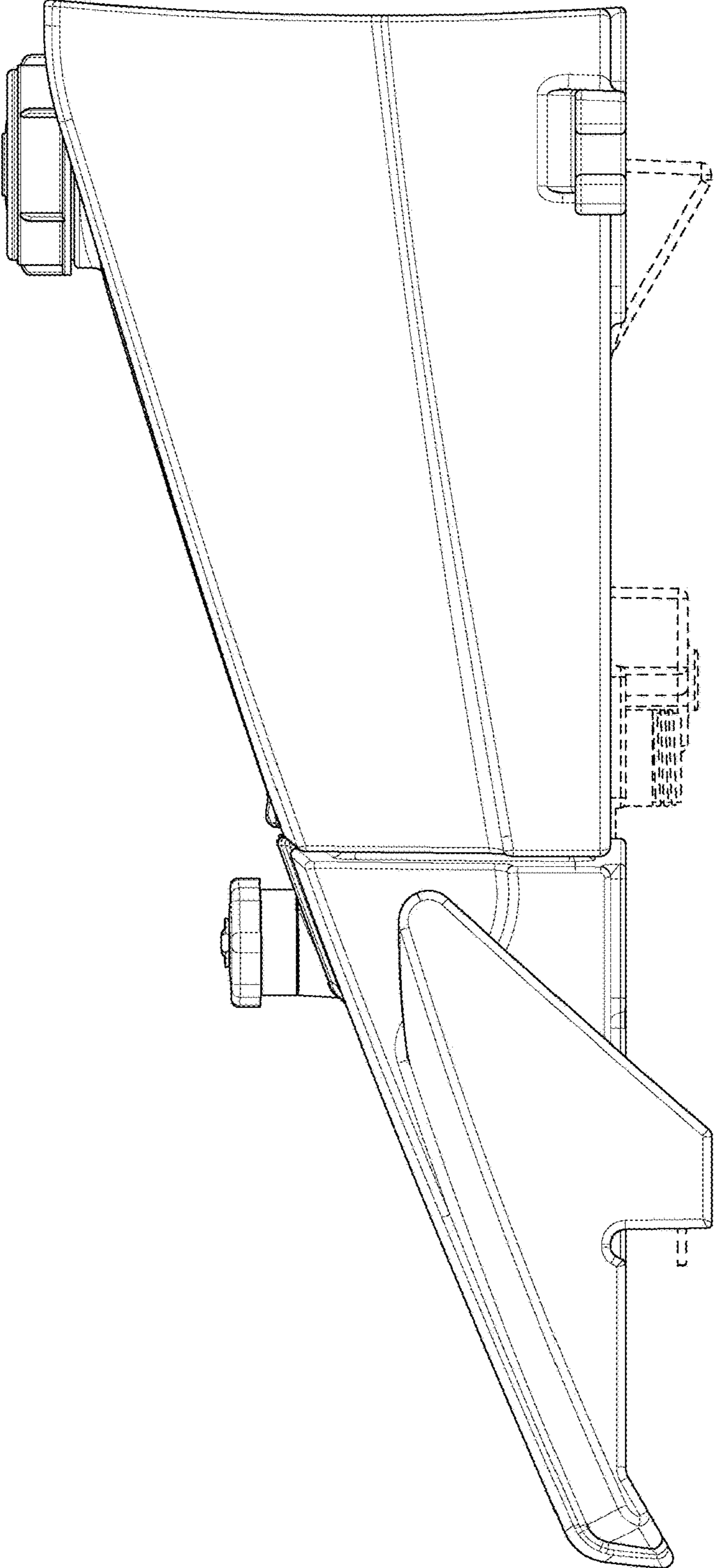


FIG. 8