



US00D826131S

(12) **United States Design Patent**
Palana

(10) **Patent No.:** **US D826,131 S**

(45) **Date of Patent:** **** Aug. 21, 2018**

(54) **AUTOMOTIVE WHEEL**

(71) Applicant: **Morris Calzado Palana**, Los Angeles, CA (US)

(72) Inventor: **Morris Calzado Palana**, Los Angeles, CA (US)

(**) Term: **15 Years**

(21) Appl. No.: **29/544,118**

(22) Filed: **Oct. 30, 2015**

(51) **LOC (11) Cl.** **12-16**

(52) **U.S. Cl.**

USPC **D12/211**

(58) **Field of Classification Search**

USPC D12/204–213

CPC B60B 7/00; B60B 7/02; B60B 7/04; B60B 7/01; B60B 7/06; B60B 3/02; B60B 3/04; B60B 3/06; B60B 3/10; B60B 1/00; B60B 1/08; B60B 1/10; B60B 1/12

See application file for complete search history.

(56) **References Cited**

U.S. PATENT DOCUMENTS

D255,233 S *	6/1980	Watanabe	D12/209
D569,778 S *	5/2008	Kim	D12/211
D578,458 S *	10/2008	Cortes	D12/211
D590,315 S *	4/2009	Chung	D12/209
D664,907 S *	8/2012	Hale, Jr.	D12/209
D670,227 S *	11/2012	Chung	D12/211

D722,548 S *	2/2015	Chung	D12/211
D722,939 S *	2/2015	Chung	D12/213
D727,829 S *	4/2015	Chung	D12/211
D733,025 S *	6/2015	Chung	D12/204
D737,191 S *	8/2015	Chung	D12/211
D763,163 S *	8/2016	Chung	D12/211
D763,772 S *	8/2016	Chung	D12/211
D786,163 S *	5/2017	Wuescher	D12/211
D787,410 S *	5/2017	Chung	D12/211

* cited by examiner

Primary Examiner — Stacia A Cadmus

(57) **CLAIM**

The ornamental design for an automotive wheel, as shown and described.

DESCRIPTION

Embodiment 1

FIG. 1 is a perspective view of an automotive wheel, showing my new design;

FIG. 2 is a front view thereof;

FIG. 3 is another perspective view of FIG. 1 without the center cap design;

FIG. 4 is a front view of FIG. 3;

Embodiment 2

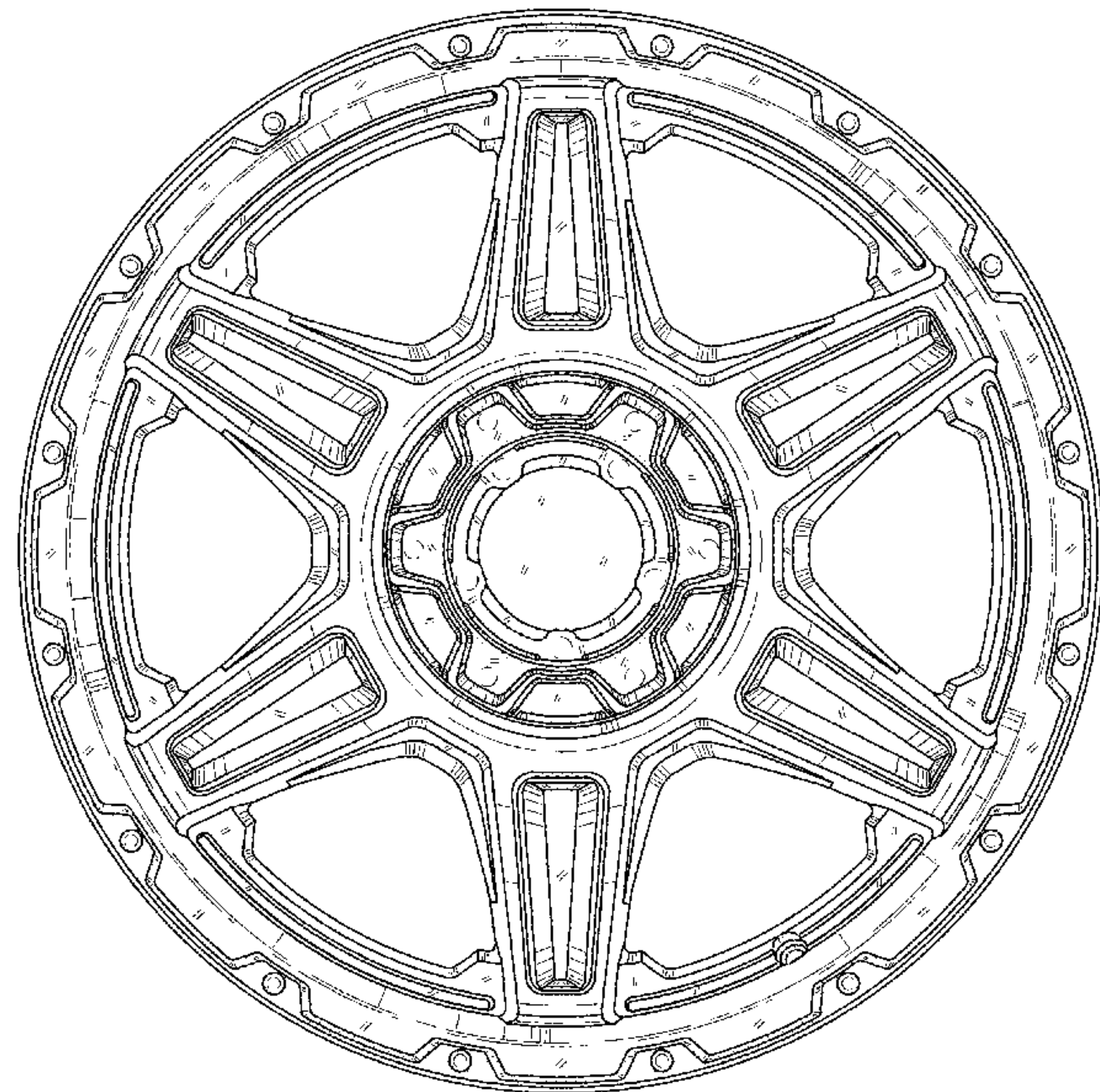
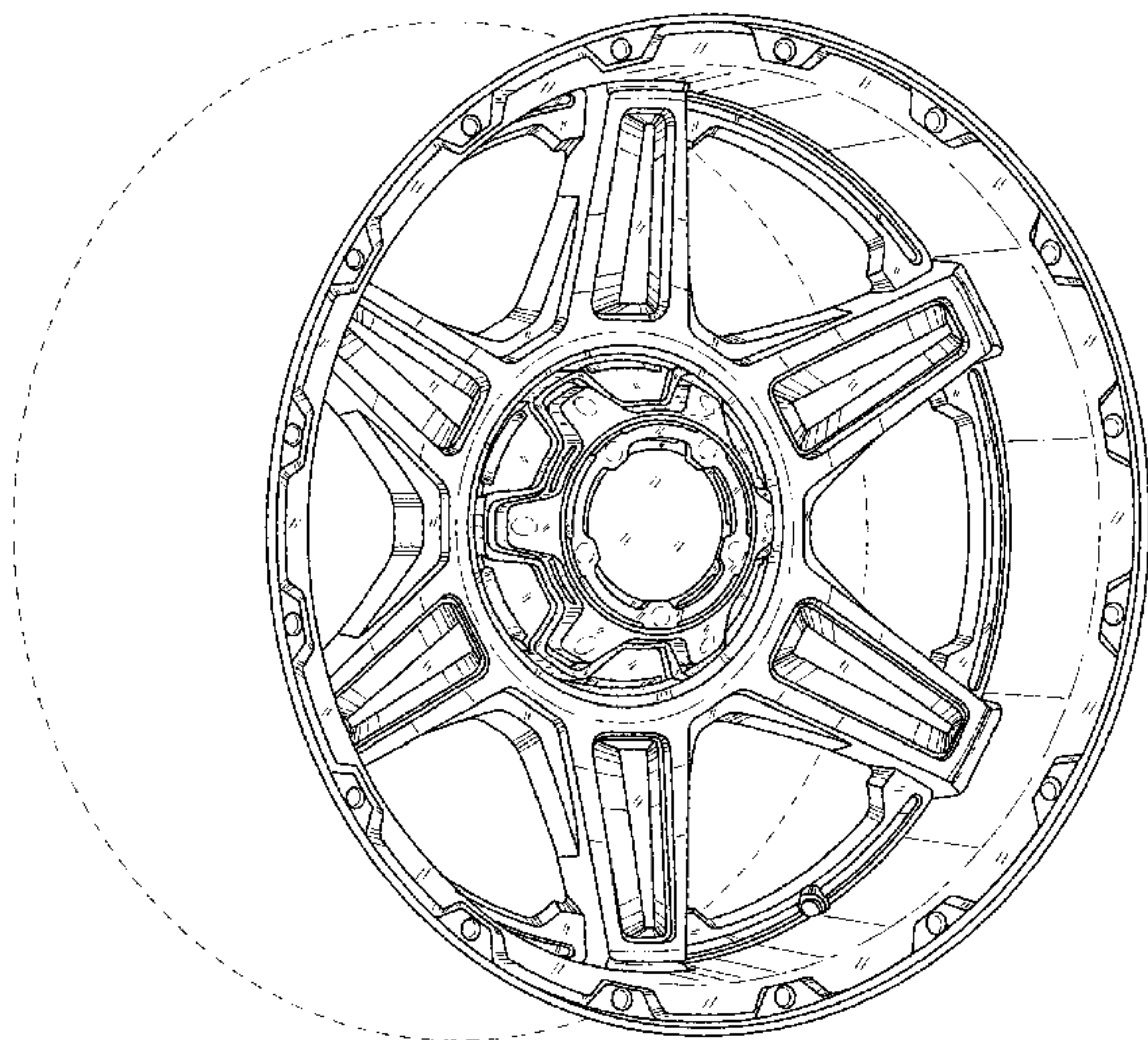
FIG. 5 is a perspective view of an automotive wheel, showing my new design;

FIG. 6 is a front view thereof;

FIG. 7 is another perspective view of FIG. 5 without the center cap design; and,

FIG. 8 is a front view of FIG. 7.

1 Claim, 8 Drawing Sheets



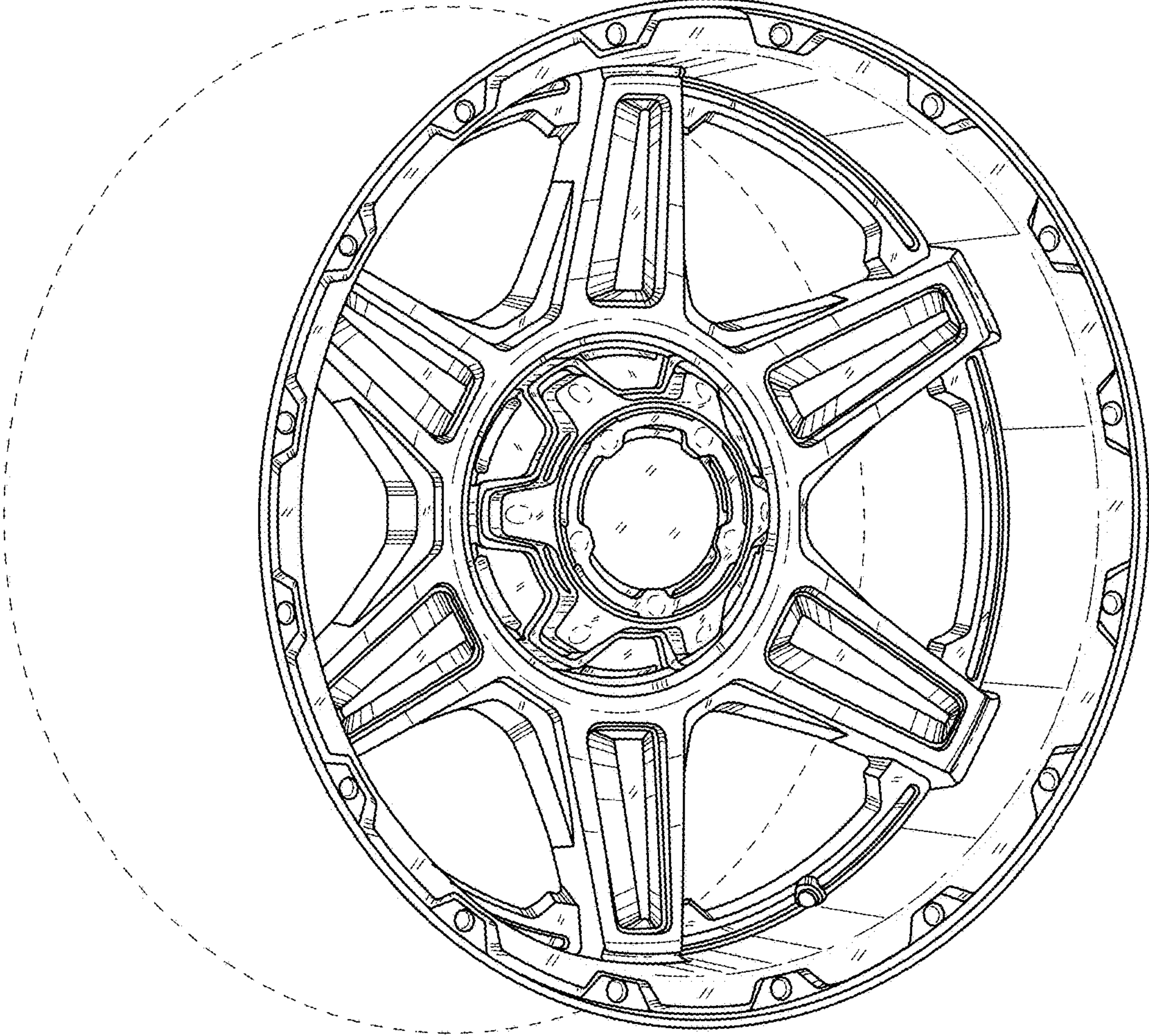


FIGURE 1

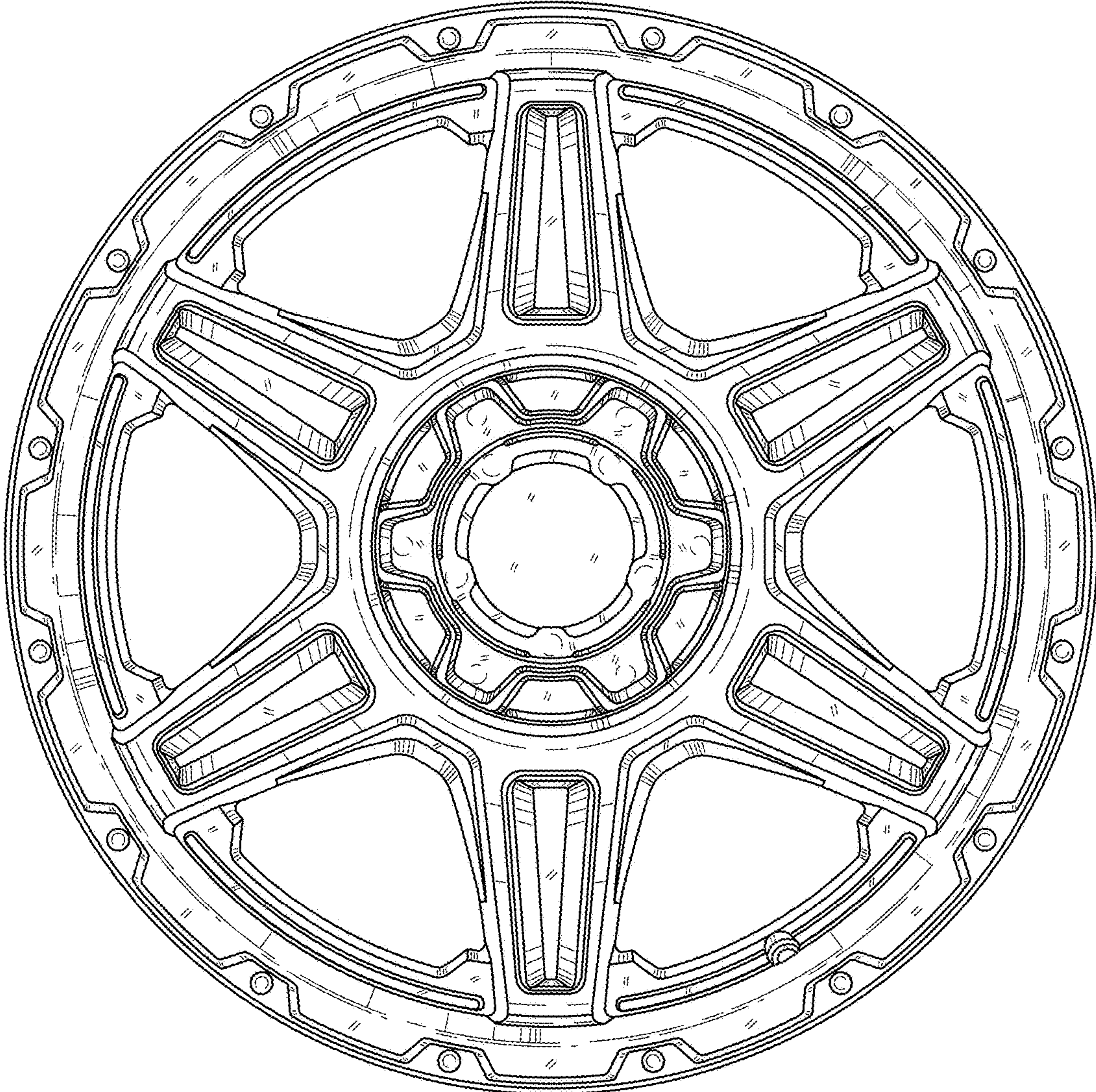


FIGURE 2

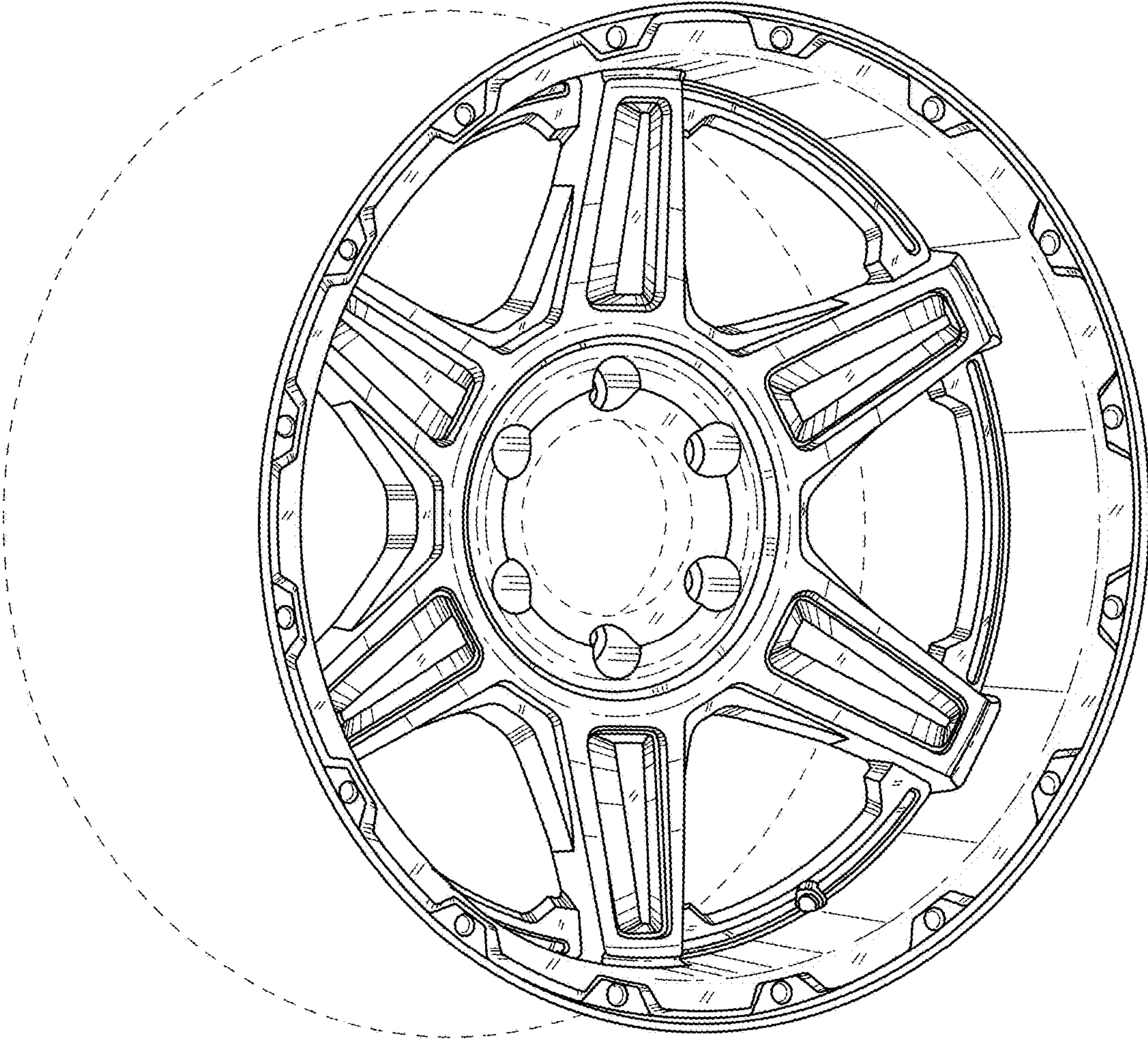


FIGURE 3

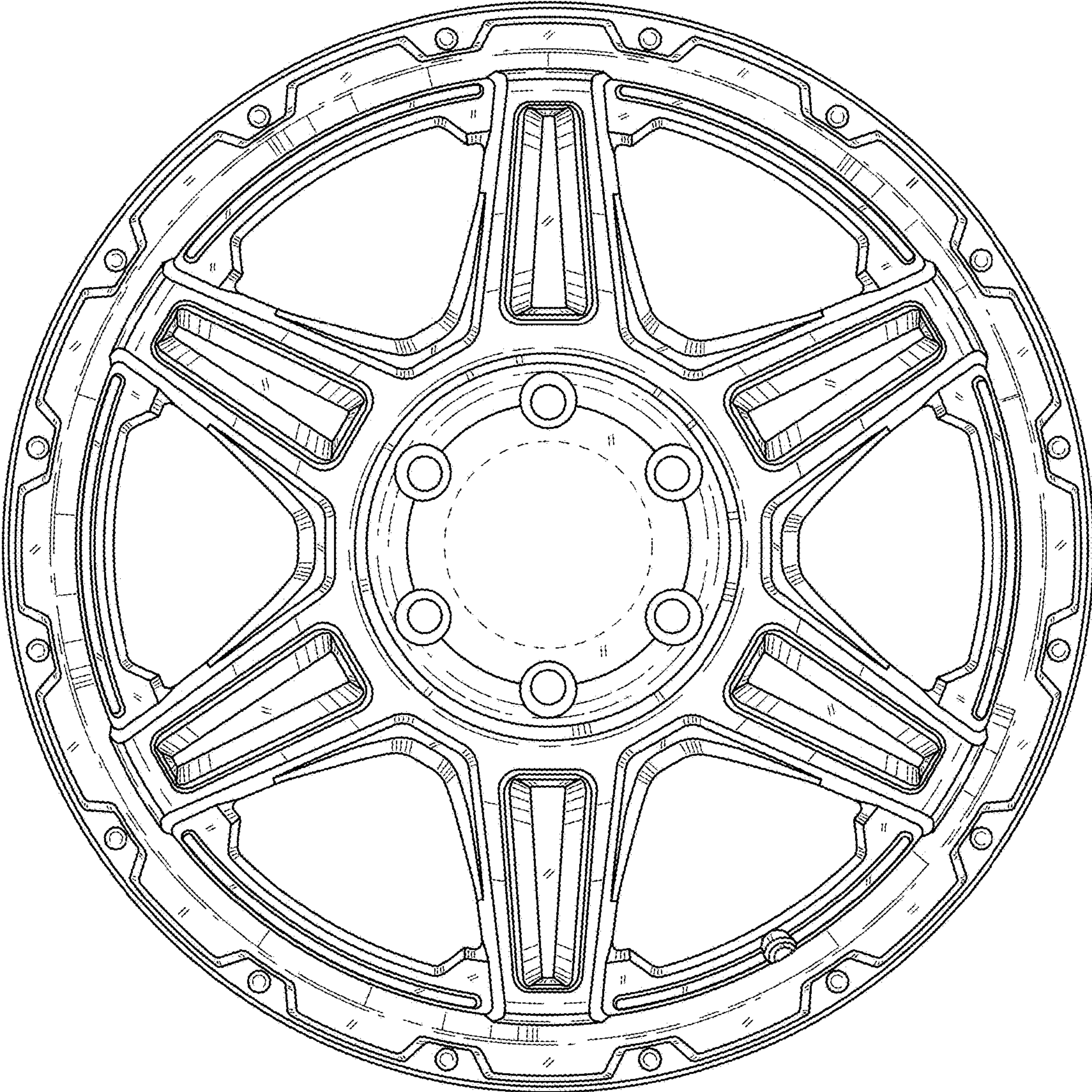


FIGURE 4

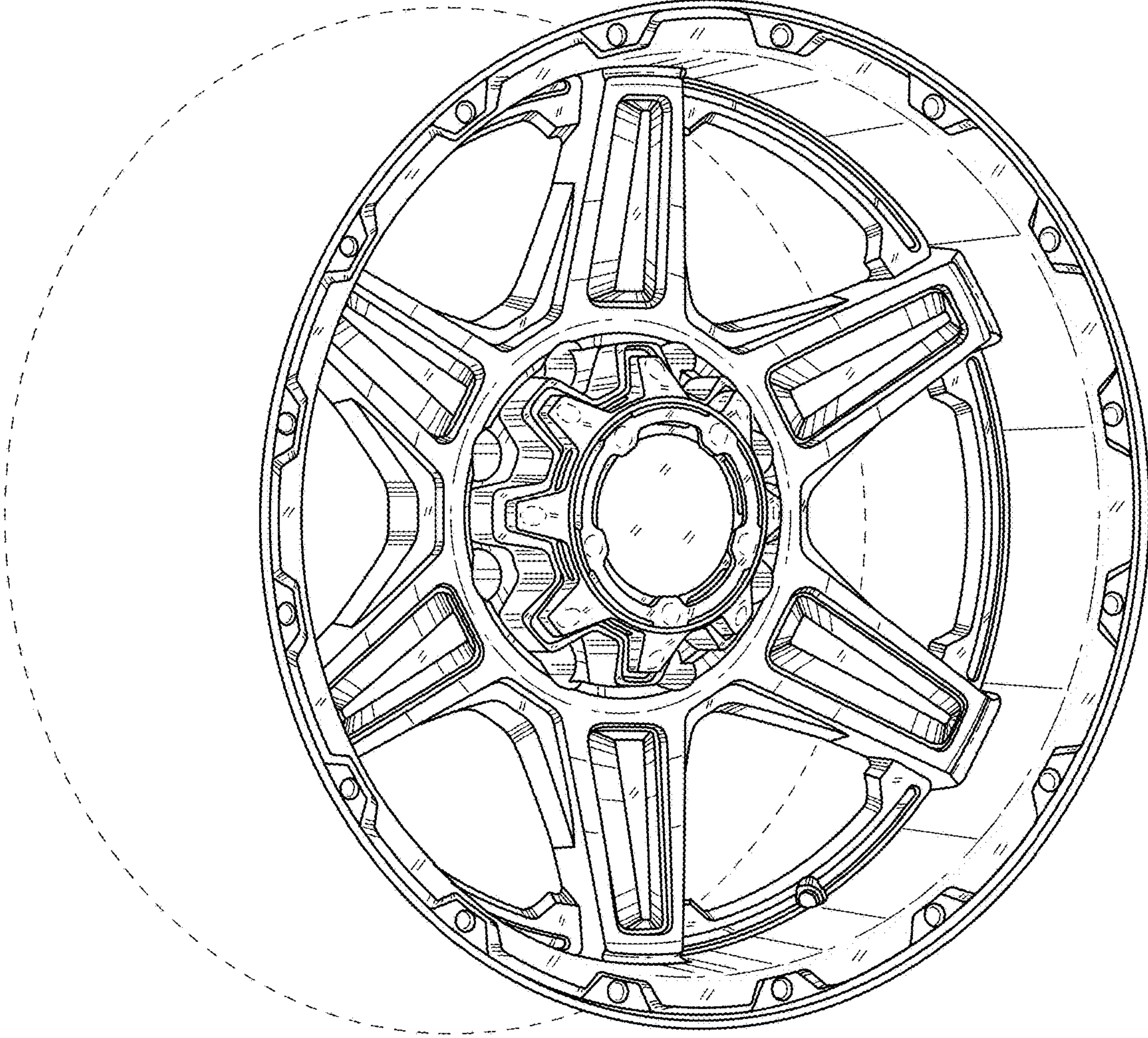


FIGURE 5

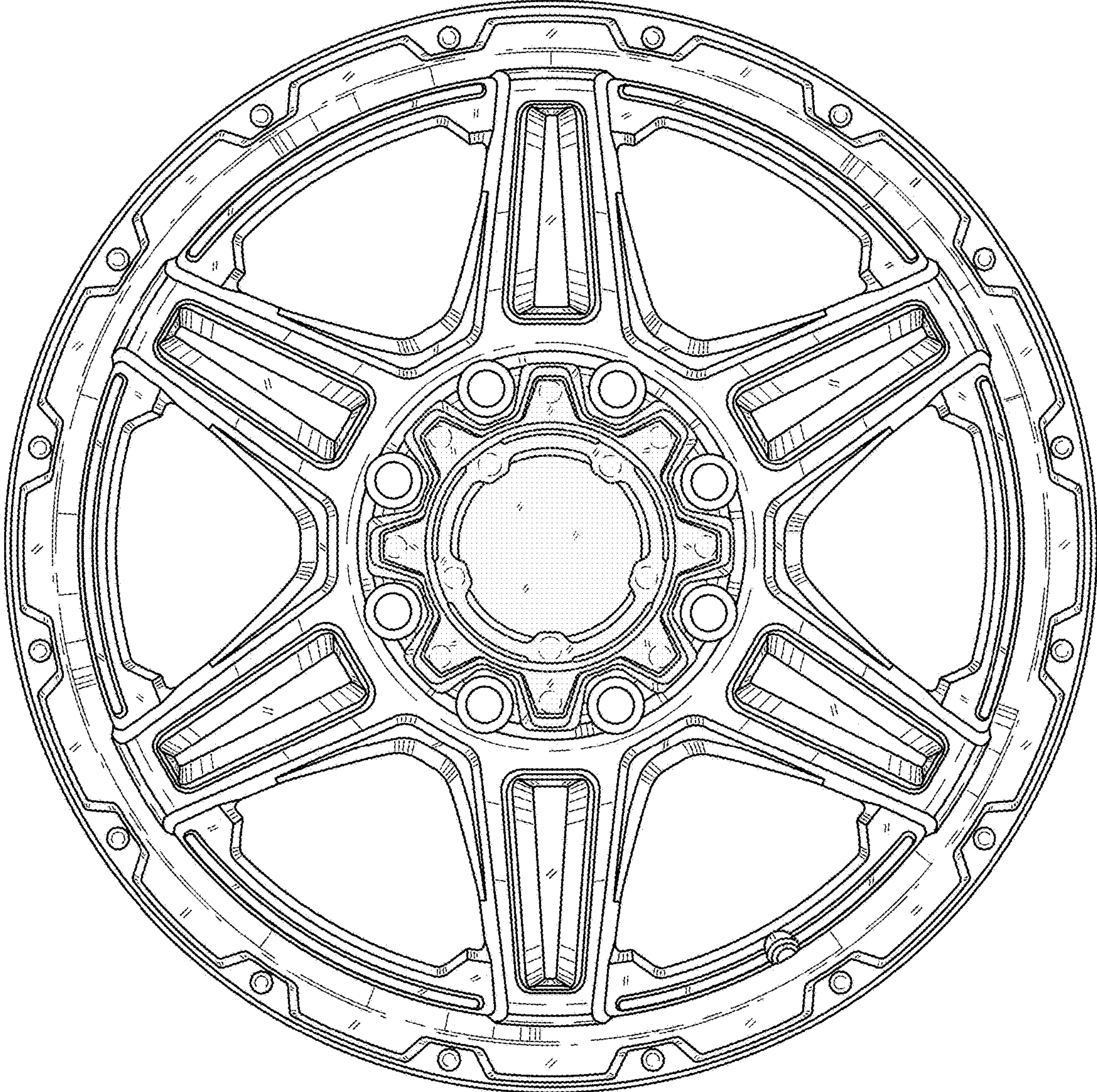


FIGURE 6

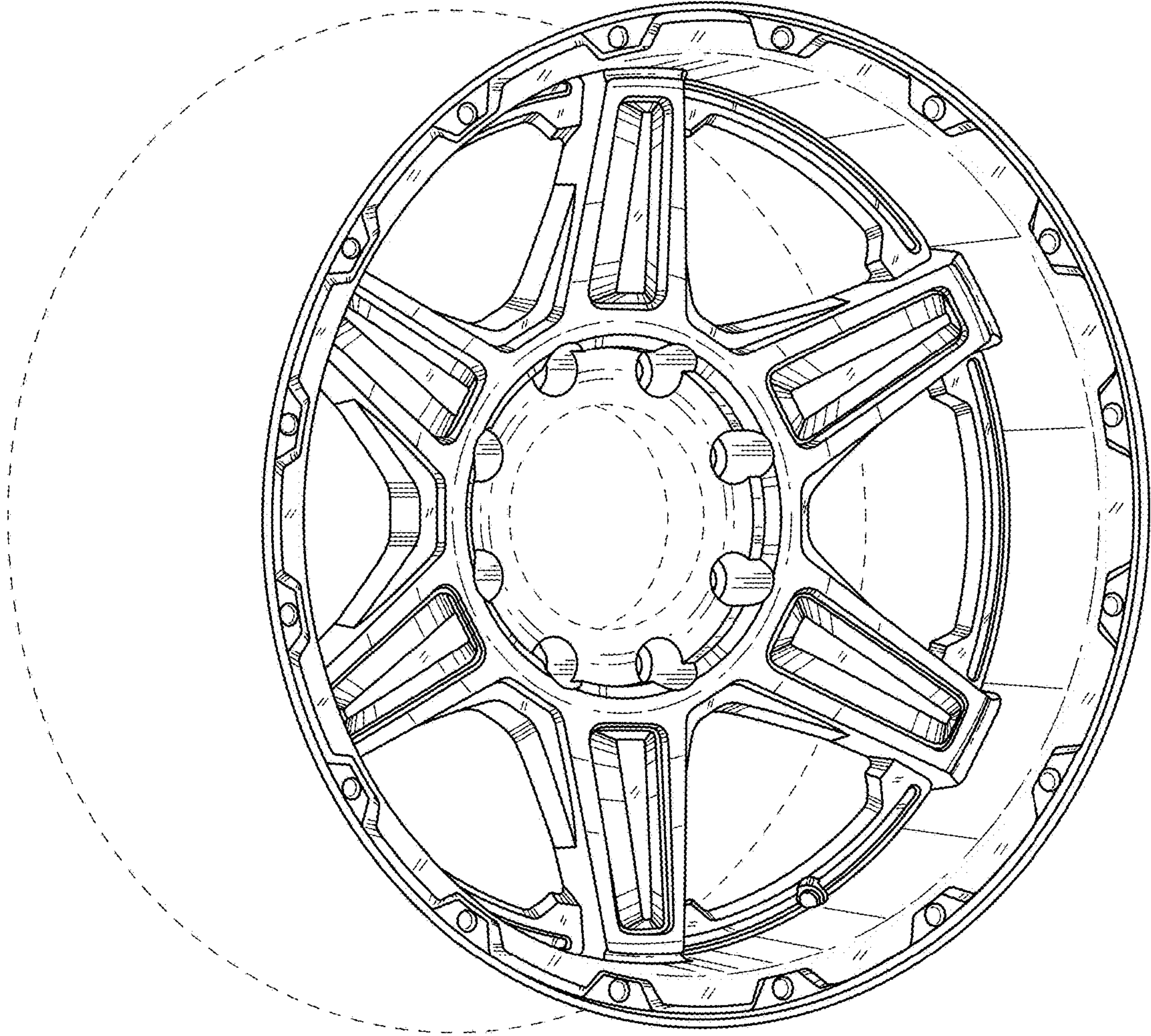


FIGURE 7

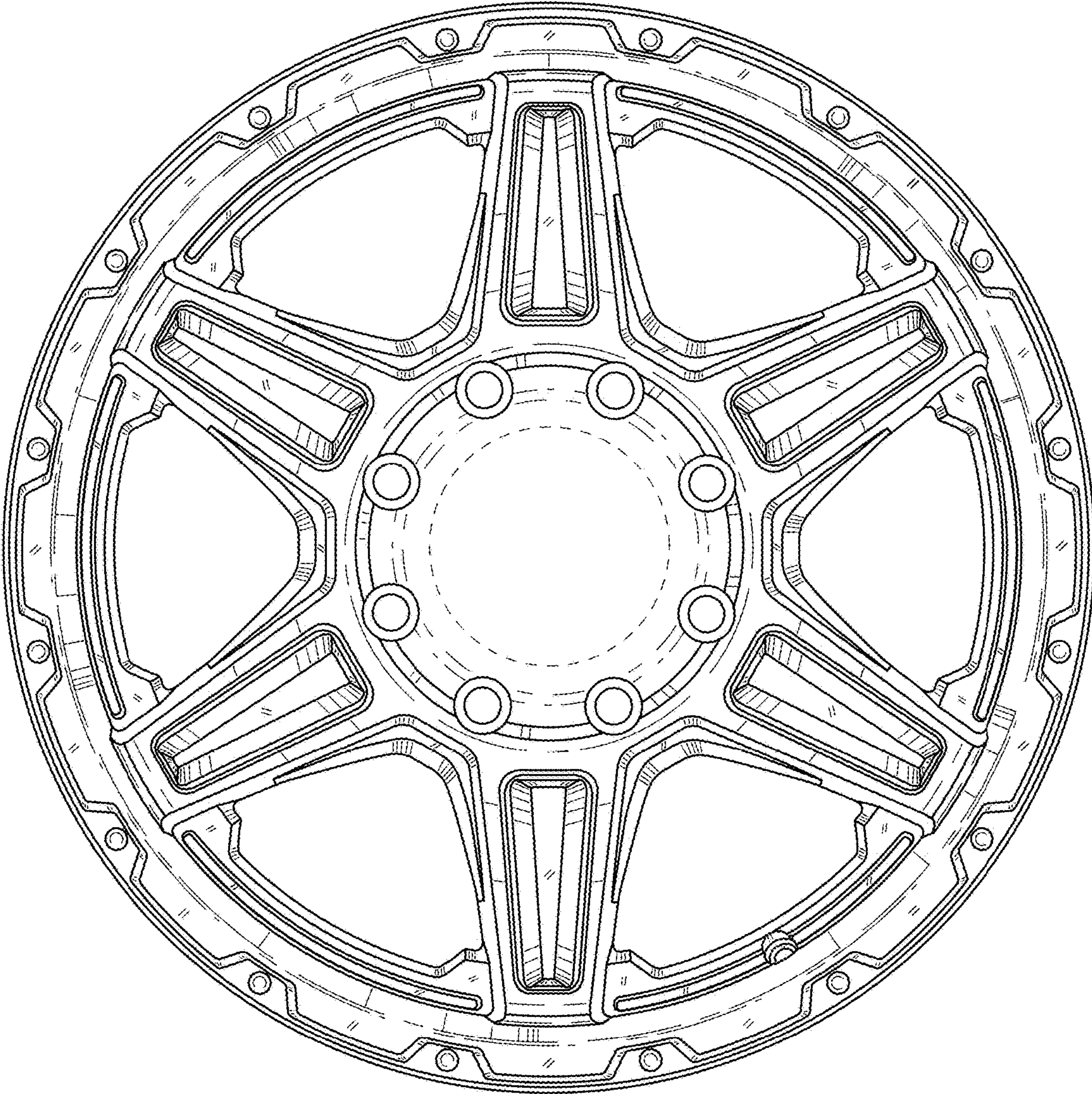


FIGURE 8