



US00D826125S

(12) **United States Design Patent** (10) **Patent No.:** **US D826,125 S**  
**DiCanzio** (45) **Date of Patent:** **\*\* Aug. 21, 2018**

(54) **DECKLID PANEL**  
(71) Applicant: **Turn 5, Inc.**, Malvern, PA (US)  
(72) Inventor: **Michael DiCanzio**, West Chester, PA (US)  
(73) Assignee: **Turn 5, Inc.**, Paoli, PA (US)  
(\*\*) Term: **15 Years**  
(21) Appl. No.: **29/601,966**  
(22) Filed: **Apr. 27, 2017**  
(51) **LOC (11) Cl.** ..... **12-16**  
(52) **U.S. Cl.**  
USPC ..... **D12/196**  
(58) **Field of Classification Search**  
USPC ..... D12/86, 88, 90, 91, 93, 173, 181, 400;  
428/31, 900; 296/1.07, 1.08; 280/727,  
280/770, 762; 40/600, 621  
CPC .... B62D 25/08; B62D 33/0273; B62D 33/03;  
B62D 33/037; B60R 13/00  
See application file for complete search history.

(56) **References Cited**  
U.S. PATENT DOCUMENTS  
7,763,332 B2 \* 7/2010 Denet ..... B60R 11/00  
280/727  
D631,921 S \* 2/2011 Simko ..... D21/433  
D700,104 S \* 2/2014 Malachowski ..... D12/90  
D704,098 S \* 5/2014 Gueler ..... D12/91  
D717,211 S \* 11/2014 Stephenson ..... D12/92  
D758,271 S \* 6/2016 McMahan ..... D12/196  
D779,403 S \* 2/2017 Orlando ..... D12/190  
D781,748 S \* 3/2017 Manzoni ..... D12/88

9,744,700 B2 \* 8/2017 Syvret ..... B29C 70/46  
D800,020 S \* 10/2017 Manzoni ..... D12/91  
D804,995 S \* 12/2017 Rasmussen ..... D12/90  
D804,997 S \* 12/2017 Hayashi ..... D12/92  
D804,998 S \* 12/2017 Jelec ..... D12/92  
D805,437 S \* 12/2017 Varga ..... D12/92  
D805,961 S \* 12/2017 Jelec ..... D12/92  
2008/0305283 A1 \* 12/2008 Denet ..... B60R 11/00  
428/31  
2011/0070446 A1 \* 3/2011 Denet ..... B60R 11/00  
428/411.1

\* cited by examiner

*Primary Examiner* — Ian Simmons  
*Assistant Examiner* — Yolanda Robinson  
(74) *Attorney, Agent, or Firm* — Schott, P.C.

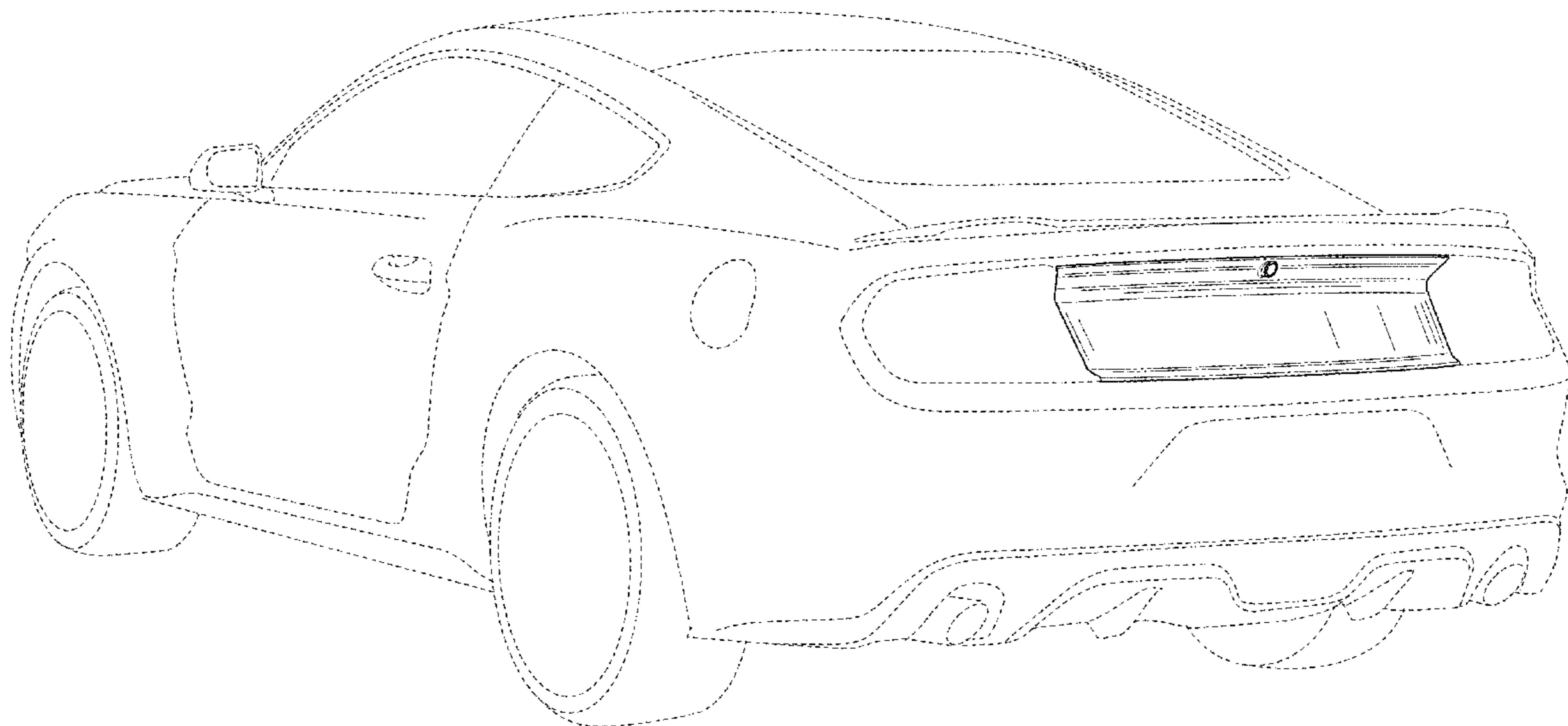
(57) **CLAIM**

The ornamental design for decklid panel, as shown and described.

**DESCRIPTION**

FIG. 1 is a perspective view of the decklid panel of the present invention in a potential environment;  
FIG. 2 is a perspective view thereof;  
FIG. 3 is a front elevation view thereof;  
FIG. 4 is a rear elevation view thereof;  
FIG. 5 is a left side view thereof;  
FIG. 6 is a right side view thereof;  
FIG. 7 is a top view thereof; and,  
FIG. 8 is a bottom view thereof.  
The broken lines illustrate the design's environment and form no part of the claimed design.

**1 Claim, 7 Drawing Sheets**



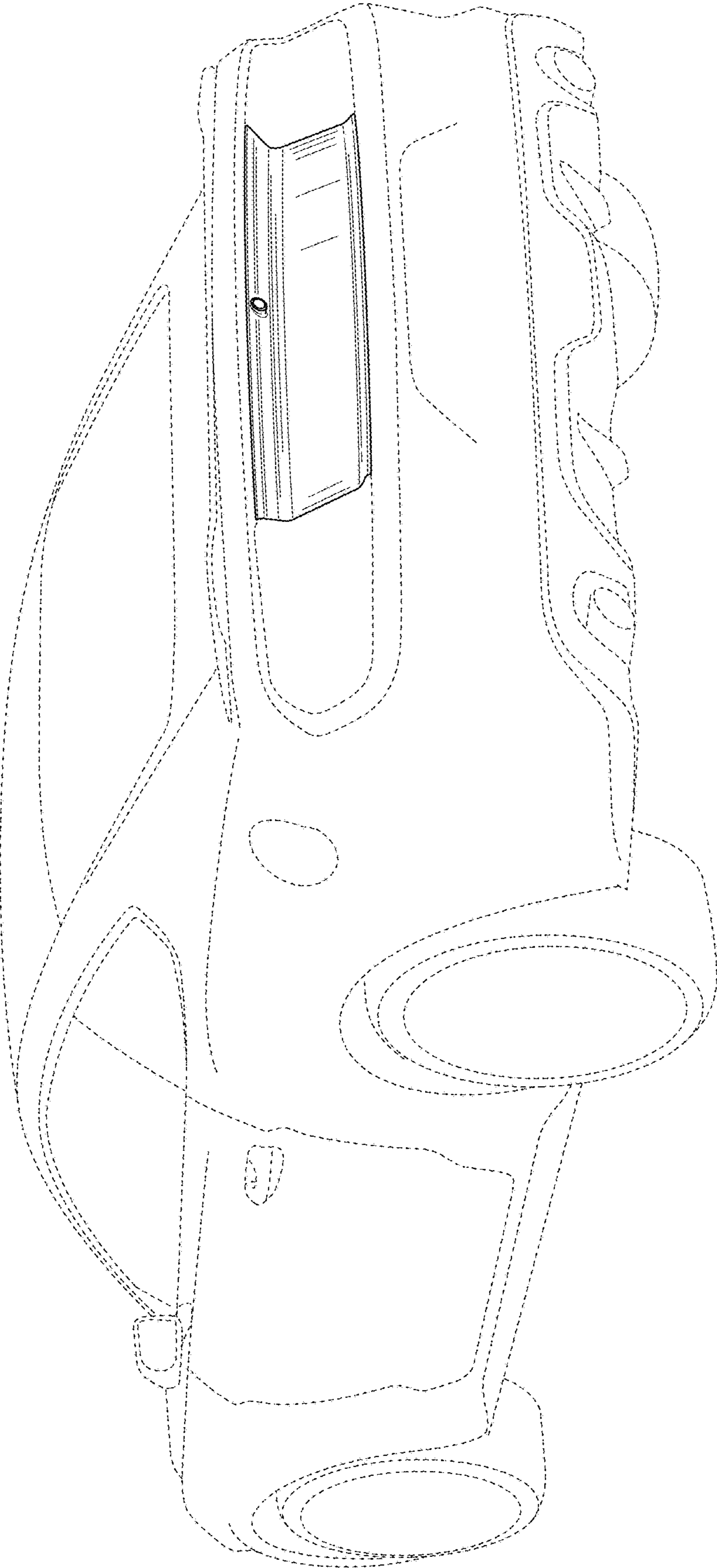


FIG. 1

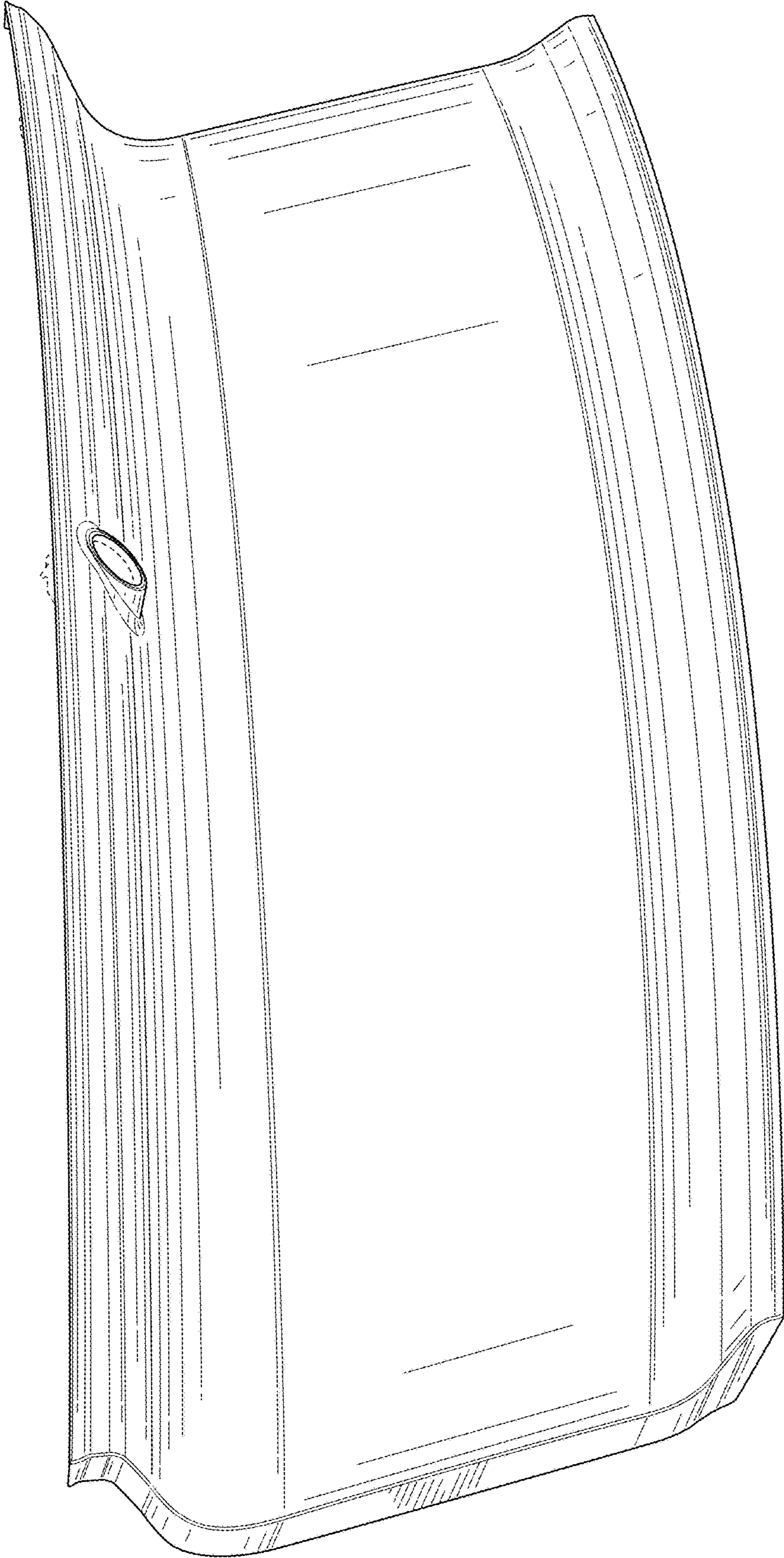


FIG. 2



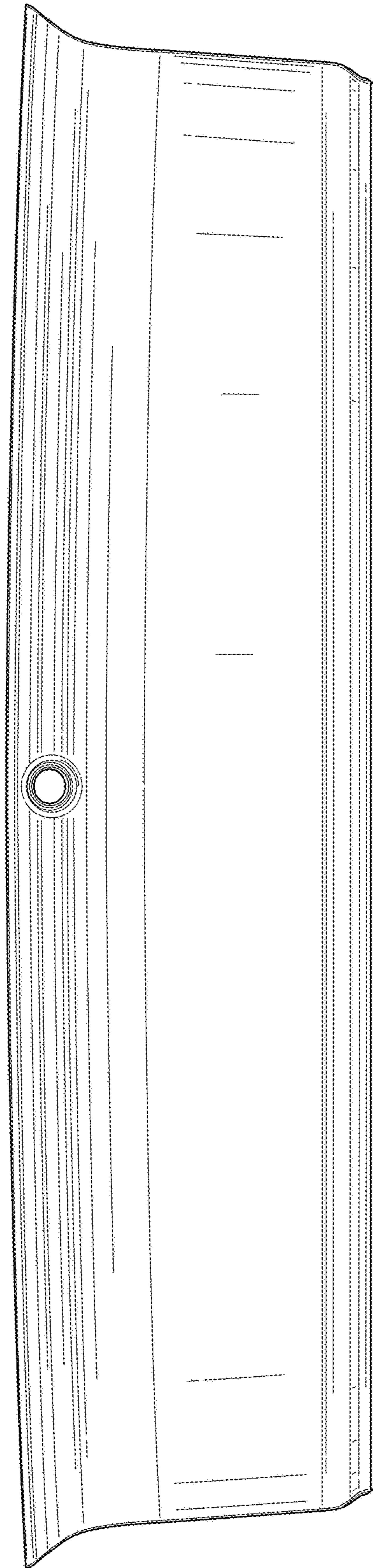


FIG. 3

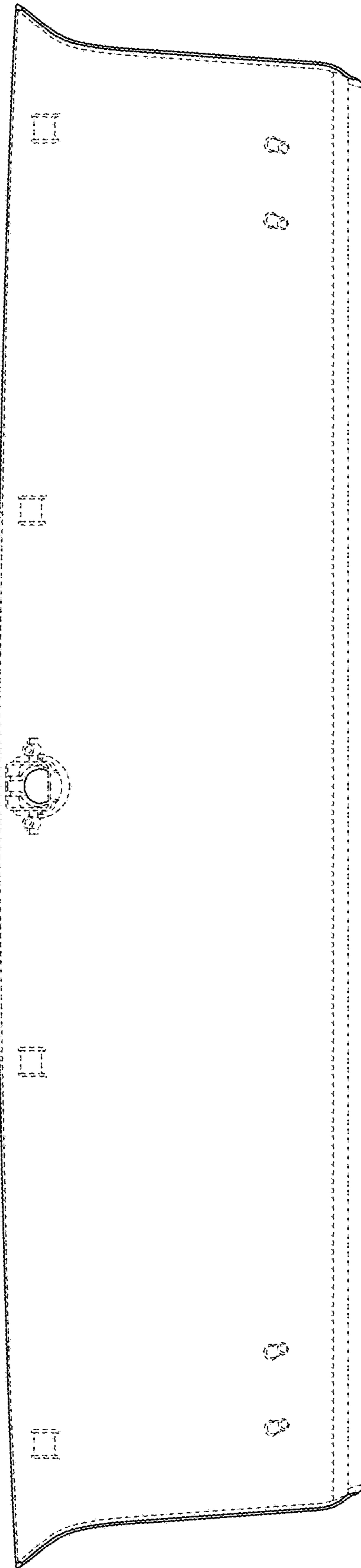
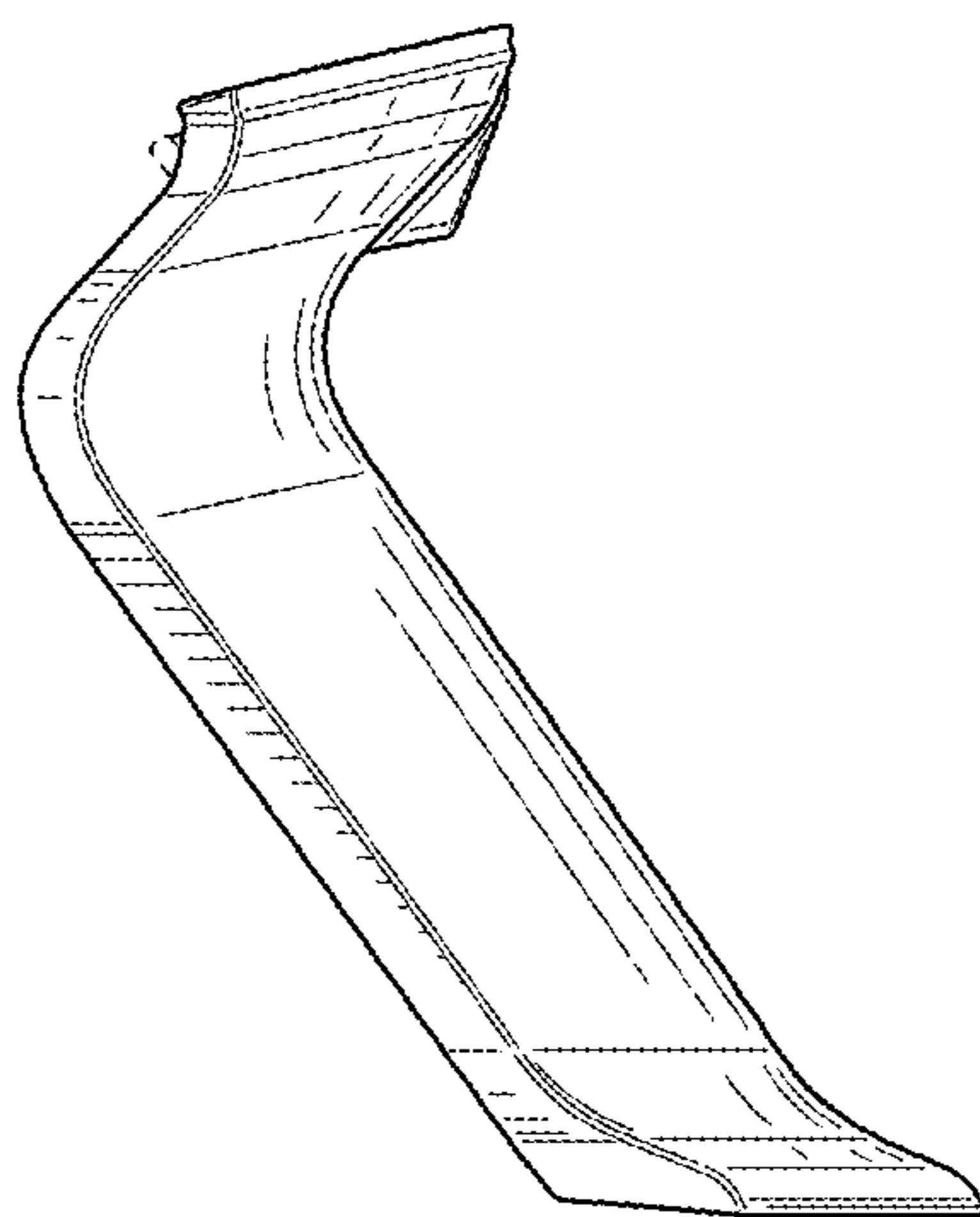
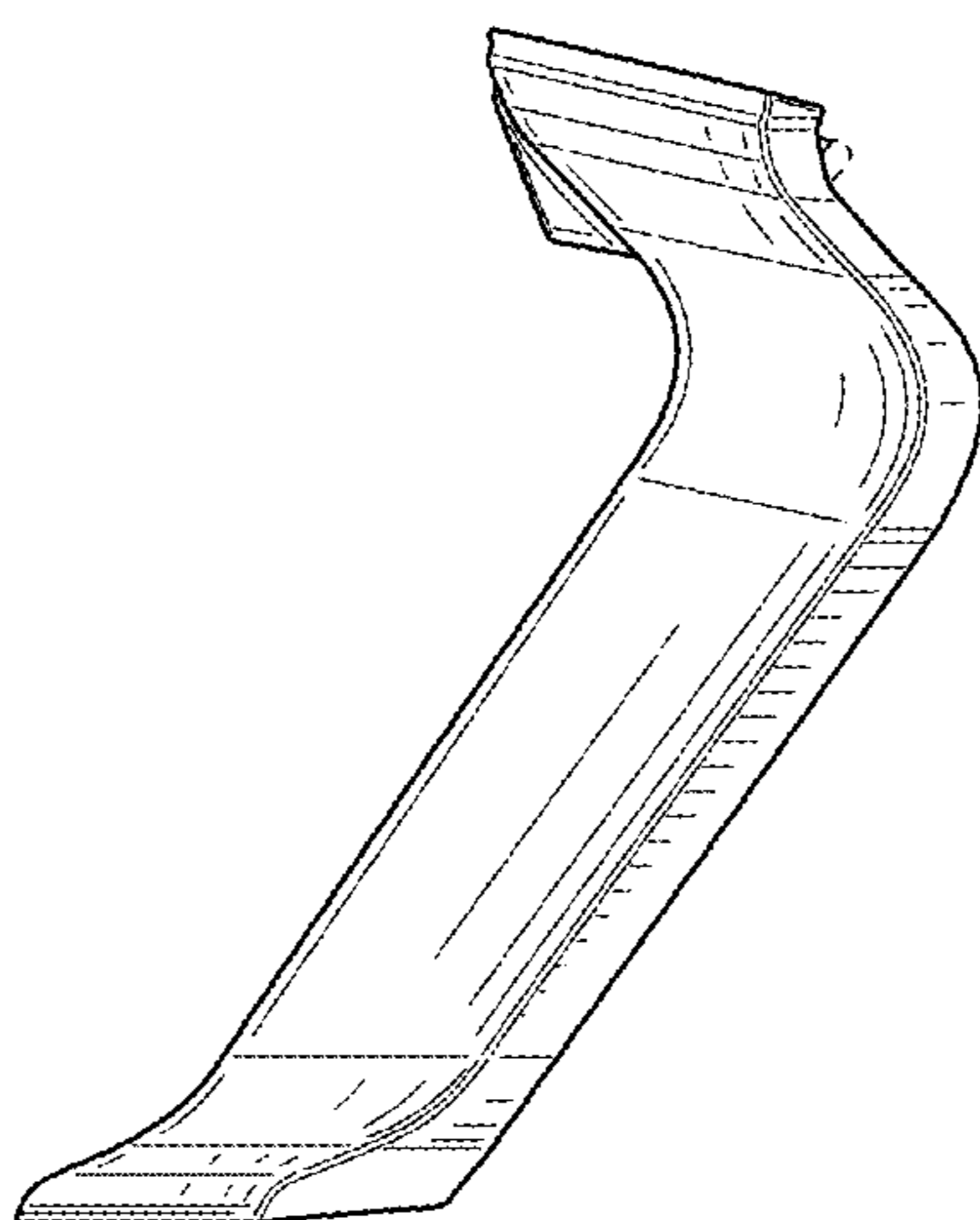


FIG. 4



**FIG. 5**



**FIG. 6**

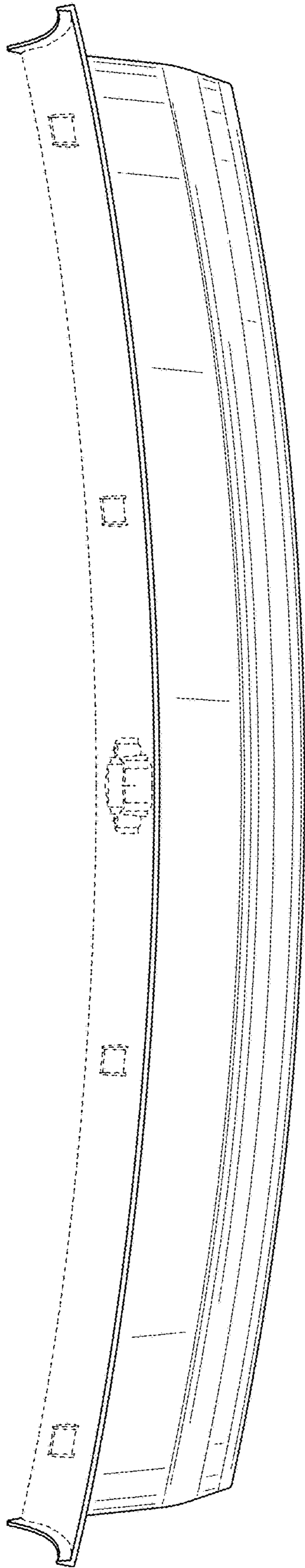


FIG. 7

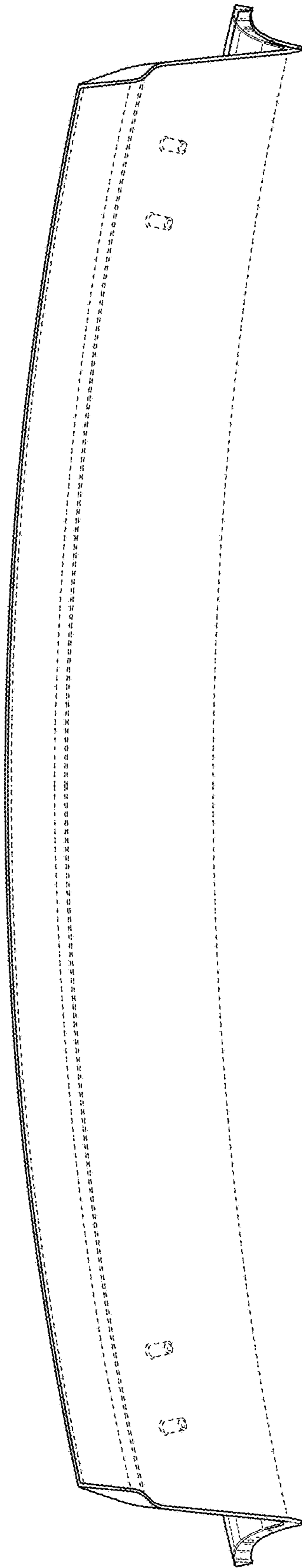


FIG. 8