



US00D826124S

(12) **United States Design Patent**  
**Unveren**

(10) **Patent No.:** **US D826,124 S**

(45) **Date of Patent:** **\*\* Aug. 21, 2018**

- (54) **CONTROL MODULE COVER**
- (71) Applicant: **Dura Operating, LLC**, Auburn Hills, MI (US)
- (72) Inventor: **Cumhur Unveren**, Commerce Township, MI (US)
- (73) Assignee: **DURA OPERATING, LLC**, Auburn Hills, MI (US)
- (\*\*) Term: **15 Years**
- (21) Appl. No.: **29/589,691**
- (22) Filed: **Jan. 4, 2017**
- (51) **LOC (11) Cl.** ..... **12-08**
- (52) **U.S. Cl.**  
USPC ..... **D12/195**
- (58) **Field of Classification Search**  
USPC ..... D12/192, 195, 196, 414; D15/17, D15/28; D10/46, 98, 102–103; D8/302–303; D6/356, 357  
CPC ..... B60R 11/80; B60R 2011/004; G06K 9/00087; H01M 10/488  
See application file for complete search history.

- D684,606 S \* 6/2013 Hagura ..... D15/28
- D775,023 S \* 12/2016 Ahn ..... D12/177
- D791,661 S \* 7/2017 Sato ..... D12/192
- D807,265 S \* 1/2018 McNutt ..... D12/190
- D808,616 S \* 1/2018 Dorman ..... D2/830
- 9,868,408 B2 \* 1/2018 Ghannam ..... B60R 16/0239
- D811,969 S \* 3/2018 Sethapun ..... D12/192
- 2006/0037794 A1 \* 2/2006 Riha ..... B60K 37/00  
180/90

\* cited by examiner

*Primary Examiner* — Jennifer Rivard

*Assistant Examiner* — Alison M Ofstun

(74) *Attorney, Agent, or Firm* — Robert E. Ford;

Raymond J. Vivacqua; Steven L. Crane

(57) **CLAIM**

The ornamental design for a control module cover, as shown and described.

**DESCRIPTION**

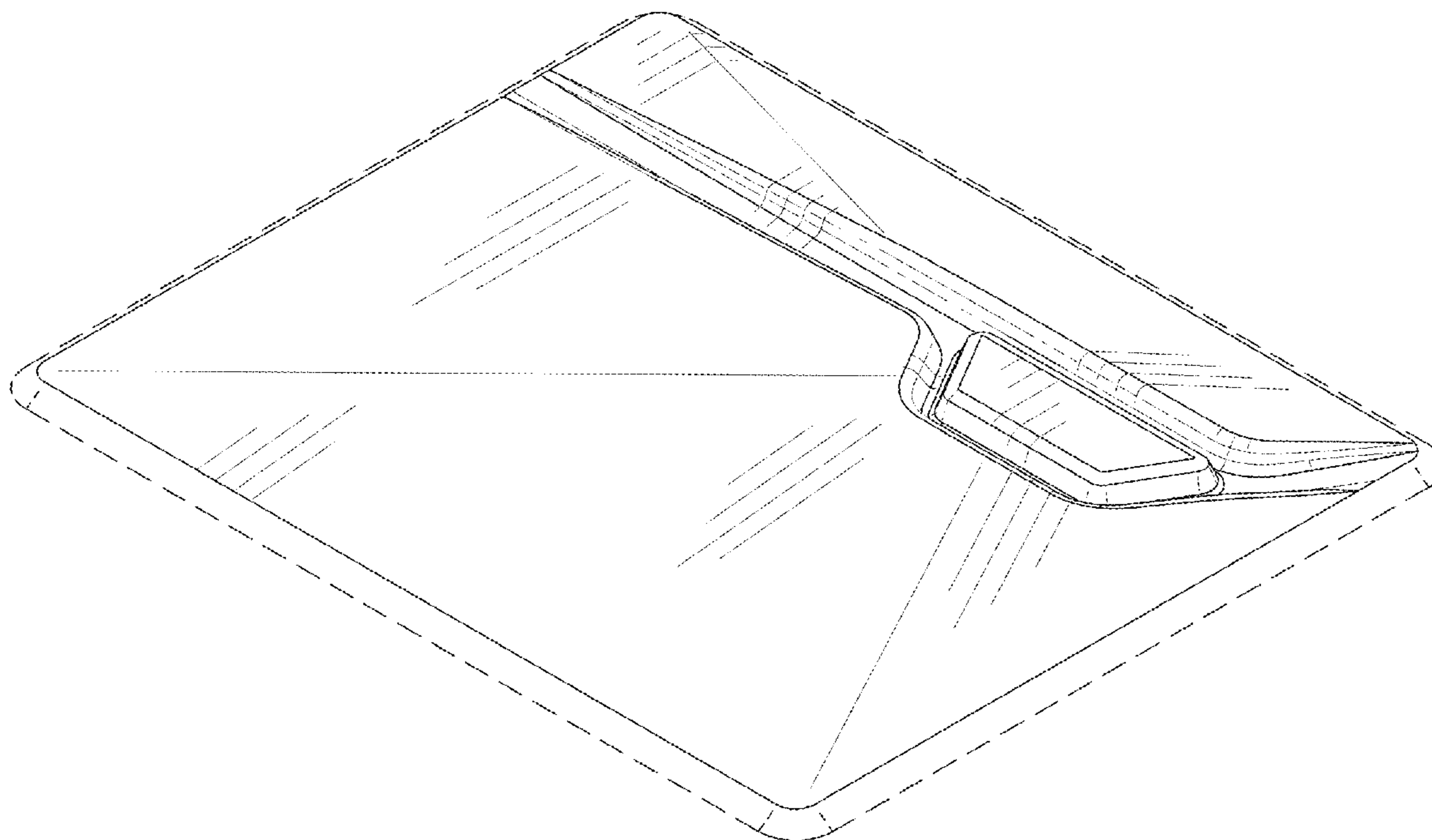
FIG. 1 is a front perspective view of the control module cover, showing my new design; FIG. 2 is a front view thereof; FIG. 3 is a bottom view thereof; FIG. 4 is a top view thereof; FIG. 5 is a right side view thereof; and, FIG. 6 is a left side view thereof.

The back of the control module cover is devoid of surface ornamentation.

The broken lines are included for the purpose of illustrating environmental structure and form no part of the claimed design.

**1 Claim, 4 Drawing Sheets**

- (56) **References Cited**  
U.S. PATENT DOCUMENTS  
D382,846 S \* 8/1997 Coogan ..... D12/195  
D436,604 S \* 1/2001 Rossow ..... D12/192  
D593,015 S \* 5/2009 Medina ..... D12/195  
D600,185 S \* 9/2009 Habib ..... D12/190



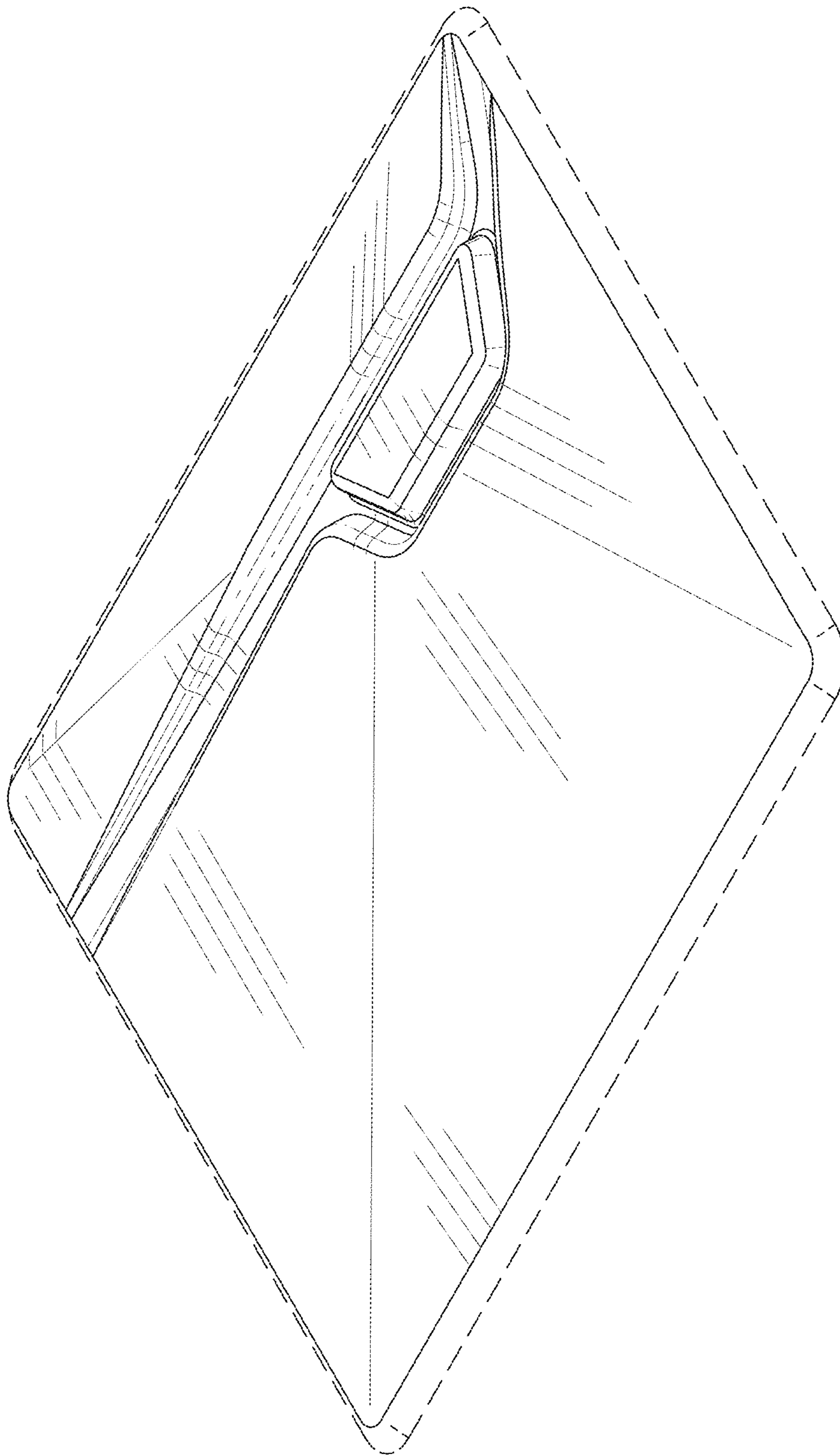


FIG. 1

FIG. 2

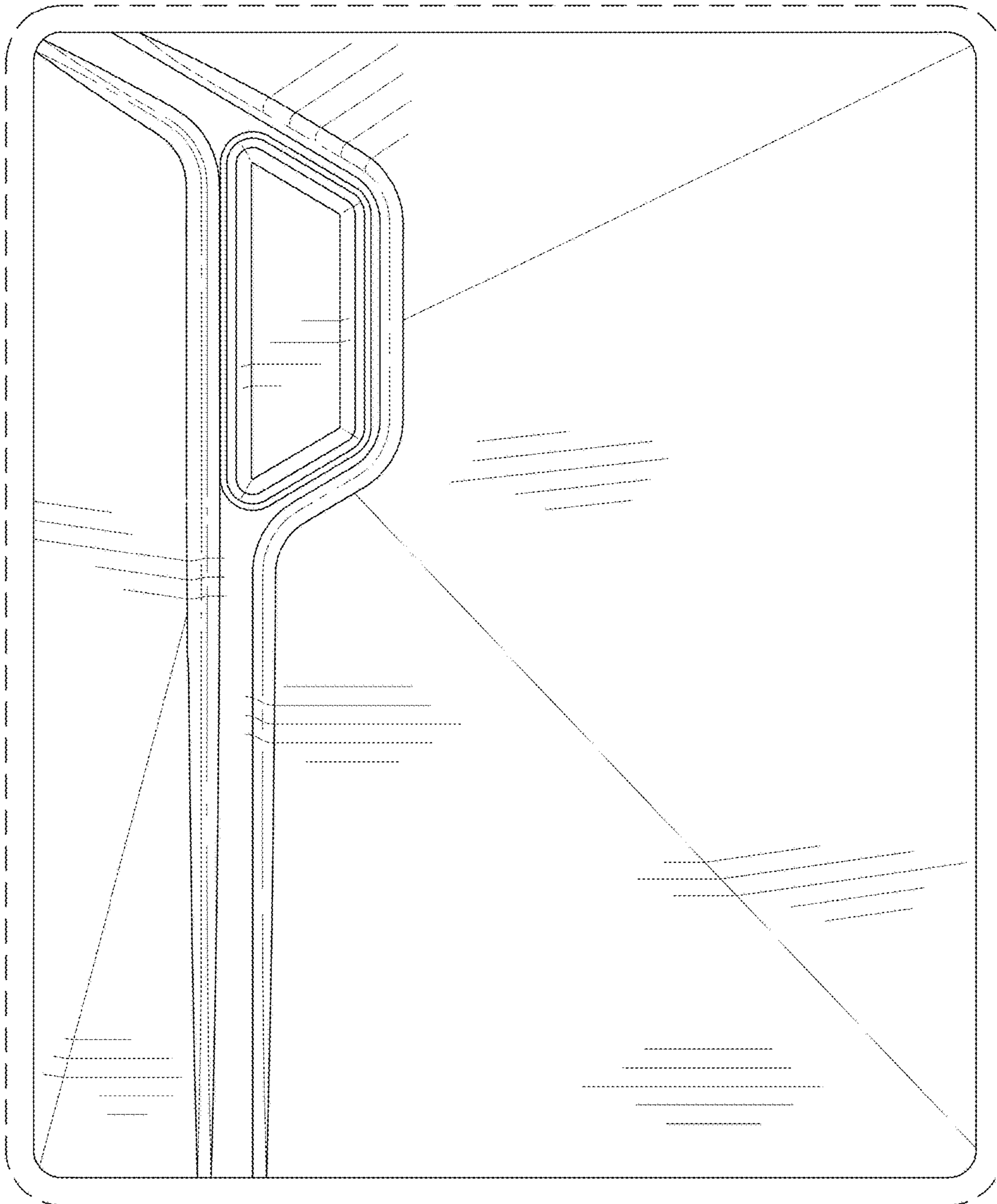




FIG. 3



FIG. 4



FIG. 5



FIG. 6