



US00D826123S

(12) **United States Design Patent** (10) **Patent No.:** **US D826,123 S**
Doerr (45) **Date of Patent:** **** Aug. 21, 2018**

(54) **LICENSE PLATE FRAME**

(71) Applicant: **Christopher E. Doerr**, Athens, GA
(US)

(72) Inventor: **Christopher E. Doerr**, Athens, GA
(US)

(**) Term: **15 Years**

(21) Appl. No.: **29/570,486**

(22) Filed: **Jul. 8, 2016**

Related U.S. Application Data

(63) Continuation of application No. 29/421,814, filed on
Sep. 28, 2012.

(51) **LOC (11) Cl.** **12-16**

(52) **U.S. Cl.**
USPC **D12/193**

(58) **Field of Classification Search**
USPC D12/193; D6/300, 301, 302, 310, 311,
D6/312, 313, 314; D20/13
CPC B60R 13/10; B60R 13/105; B60R 19/24;
B60R 19/52
See application file for complete search history.

(56) **References Cited**

U.S. PATENT DOCUMENTS

D163,320 S *	5/1951	Porrett	40/209
D367,459 S *	2/1996	Spencer	D12/193
D408,341 S *	4/1999	Spencer	D12/193
D412,307 S *	7/1999	Hartmann	D12/193
D413,847 S *	9/1999	Hartmann	D12/193
D413,848 S *	9/1999	Doerr	D12/193

D437,815 S *	2/2001	Lyon	D12/193
D488,753 S *	4/2004	Spencer	D12/193
D516,483 S *	3/2006	Eidsmore	D12/193
D557,647 S *	12/2007	Parenti	D12/193
D717,223 S *	11/2014	Doerr	D12/193
D734,228 S *	7/2015	Masanek, Jr.	D12/193
D739,800 S *	9/2015	Spencer	D12/193

* cited by examiner

Primary Examiner — George D. Kirschbaum

Assistant Examiner — Natasha Vujcic

(74) *Attorney, Agent, or Firm* — Walter A. Rodgers

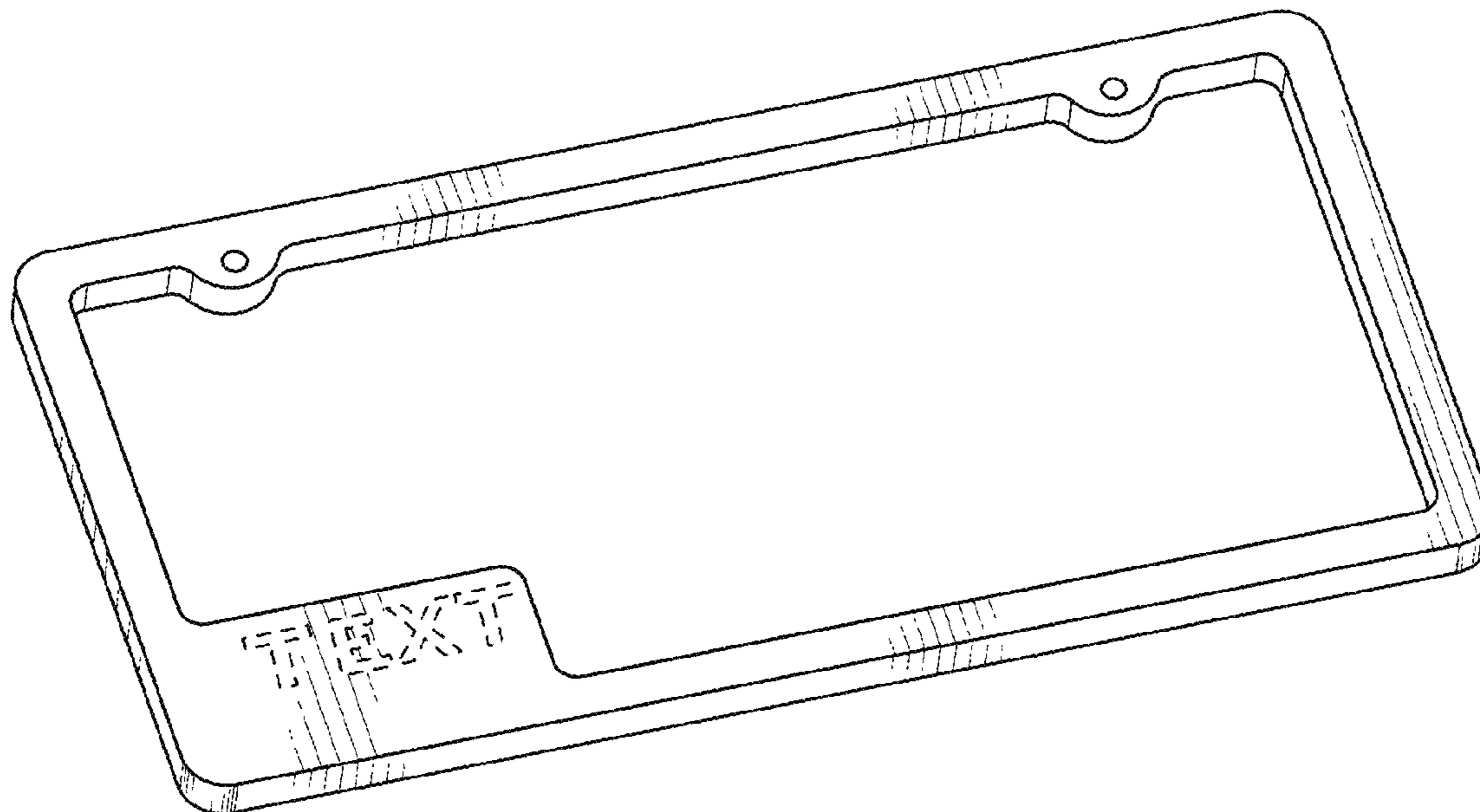
(57) **CLAIM**

The ornamental design for a license plate frame, as shown and described.

DESCRIPTION

FIG. 1 is a perspective view of a license plate frame showing my new design;
FIG. 2 is a front elevational view thereof, the rear being the same in appearance;
FIG. 3 is a left-side elevational view thereof, the right side being the same in appearance;
FIG. 4 is a top plan view thereof;
FIG. 5 is a bottom plan view thereof; and,
FIGS. 6 and 7 are top plan views of a second and a third embodiment of FIG. 1, the only difference being the configuration of the text tab, it being understood that all other surfaces are the same as those of the first embodiment.
The broken lines illustrate portions of the license plate frame that form no part of the claimed design.

1 Claim, 4 Drawing Sheets



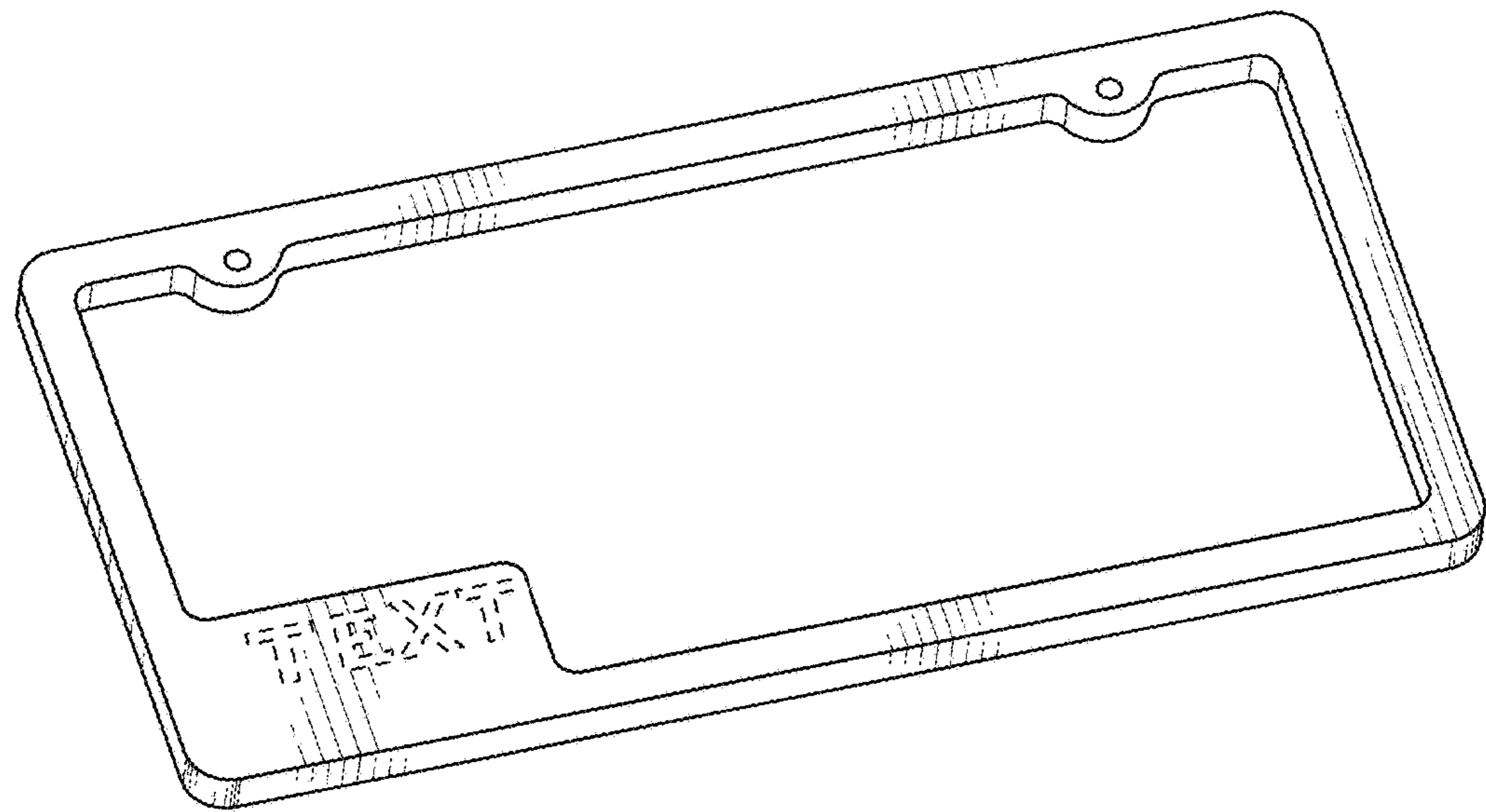


FIG. 1



FIG. 2



FIG. 3

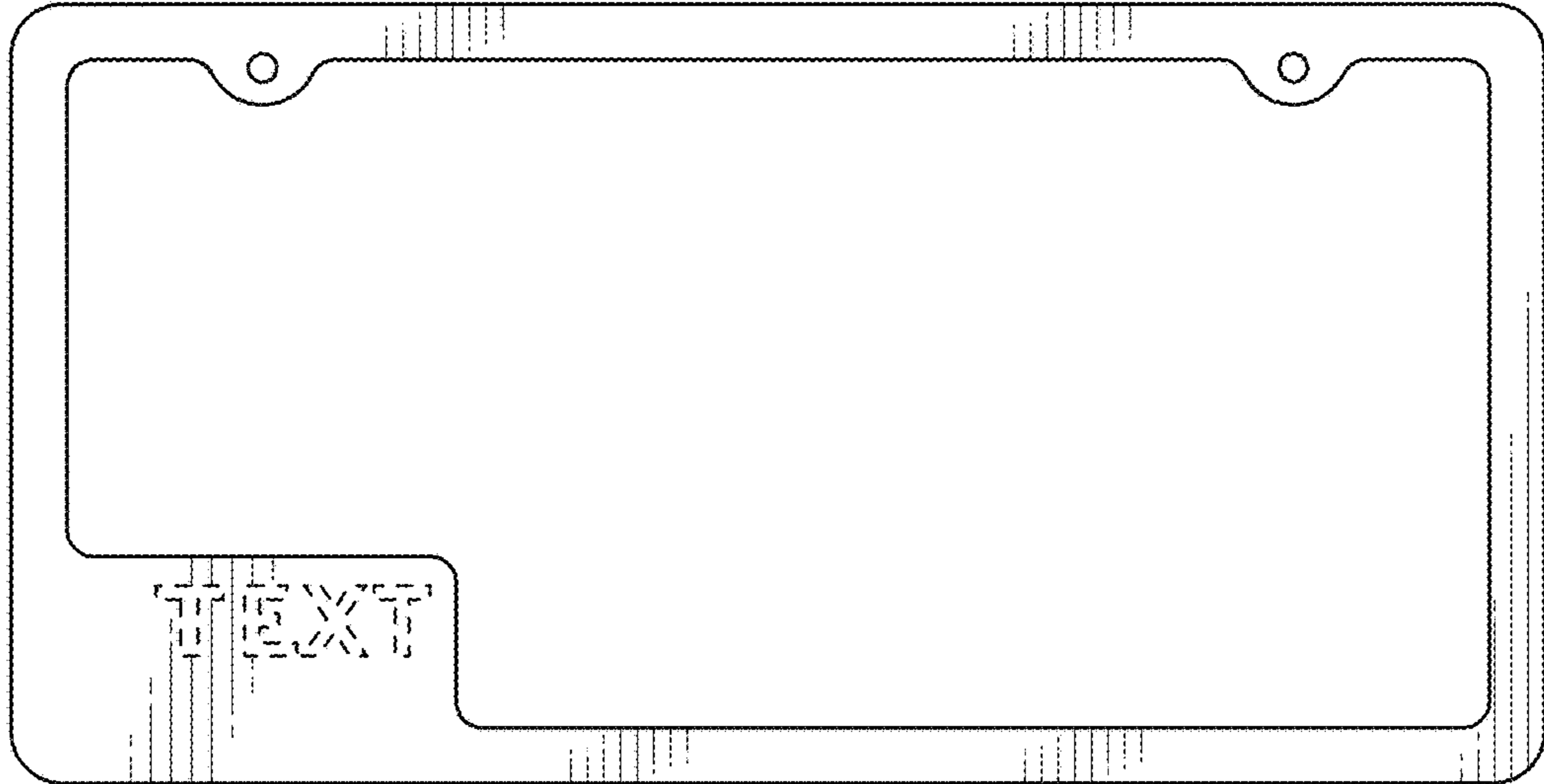


FIG. 4

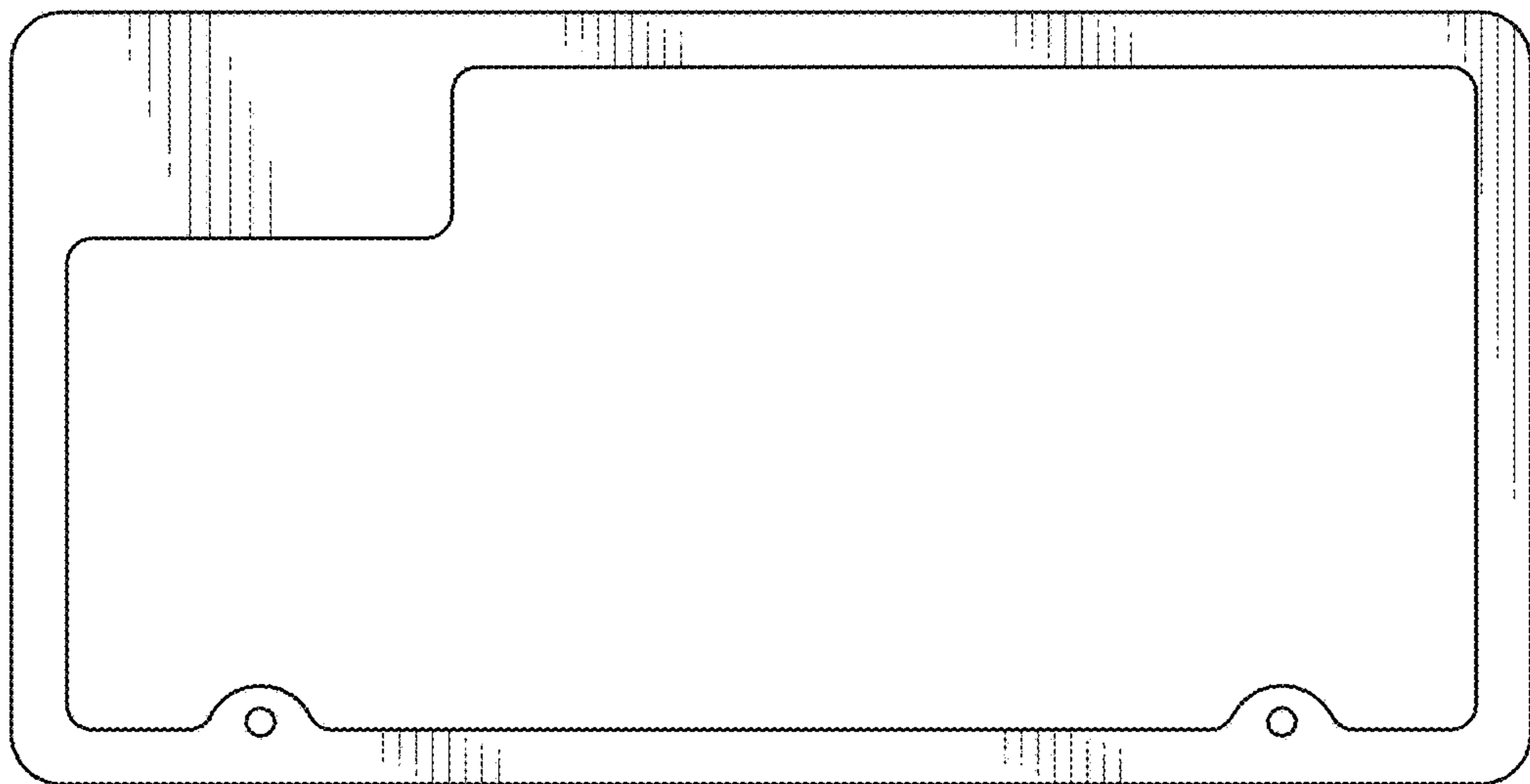


FIG. 5

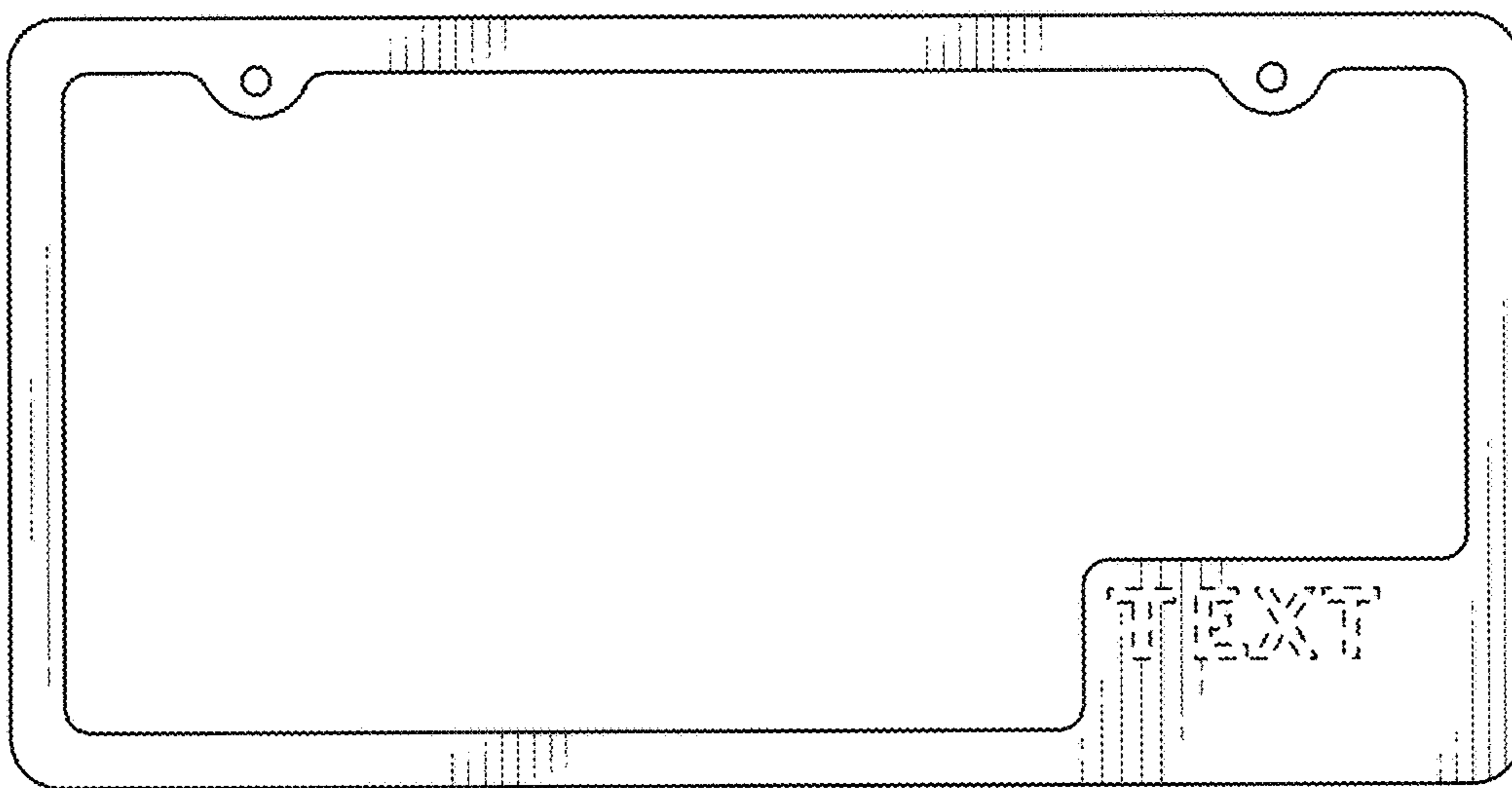


FIG. 6

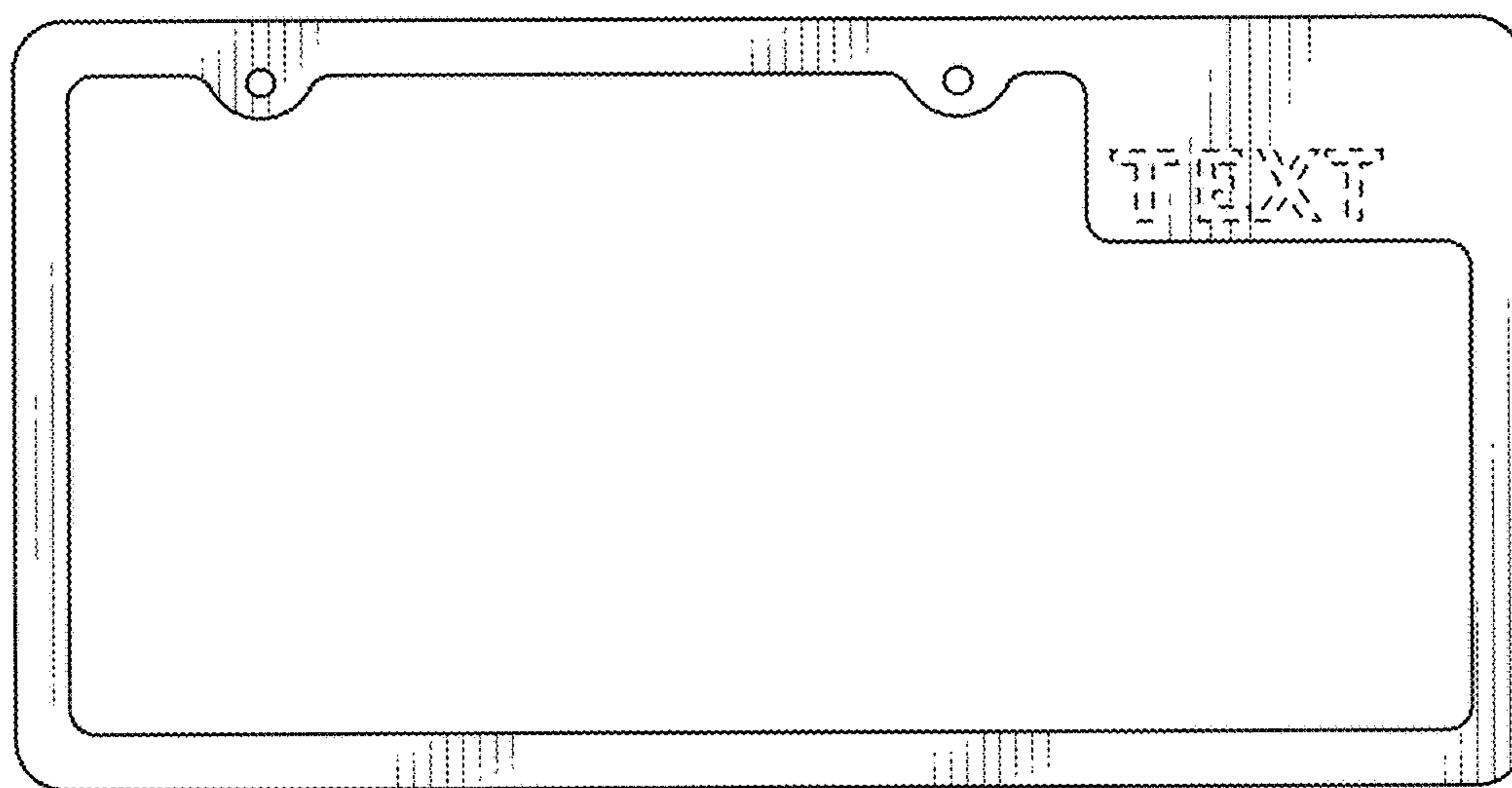


FIG. 7