



US00D826122S

(12) **United States Design Patent** (10) **Patent No.:** **US D826,122 S**
Yamamoto (45) **Date of Patent:** **** Aug. 21, 2018**

(54) **INSTRUMENT PANEL FOR AN AUTOMOBILE**
(71) Applicant: **Kei Yamamoto**, Toyota (JP)
(72) Inventor: **Kei Yamamoto**, Toyota (JP)

(73) Assignee: **TOYOTA JIDOSHA KABUSHIKI KAISHA** (JP)

(**) Term: **15 Years**

(21) Appl. No.: **29/587,307**

(22) Filed: **Dec. 12, 2016**

(30) **Foreign Application Priority Data**

Jun. 14, 2016 (JP) 2016-012663

(51) **LOC (11) Cl.** **12-16**

(52) **U.S. Cl.**
USPC **D12/192**

(58) **Field of Classification Search**
USPC D12/192, 415, 418, 419, 110, 114, 345;
D15/17, 28; D10/46, 98, 102-103,
D10/122-127

CPC G08G 1/096883; G01C 21/16; G01C
21/3688; G01C 21/30
See application file for complete search history.

(56) **References Cited**

U.S. PATENT DOCUMENTS

D803,743 S * 11/2017 Igarashi D12/192
D804,380 S * 12/2017 Nakai D12/192
D806,623 S * 1/2018 Kato D12/192
D807,266 S * 1/2018 Hasegawa D12/192

D808,873 S * 1/2018 Joyce D12/192
D809,443 S * 2/2018 Walker D12/192
D810,642 S * 2/2018 Nakaya D12/192
D810,643 S * 2/2018 Takamura D12/192
D813,127 S * 3/2018 Yamamoto D12/192
D813,769 S * 3/2018 Yaguchi D12/192

OTHER PUBLICATIONS

Toyota, Lexus ES (2016), NetCarShow, <<https://www.netcarshow.com/lexus/2016-es/>>, available at least as early as Jan. 28, 2016.
Mercedes-Benz, Mercedes-Benz S63 AMG coupe (2015), NetCarShow, <http://www.netcarshow.com/mercedes-benz/2015-s63_amg_coupe/>, available at least as early as Jan. 28, 2016.

* cited by examiner

Primary Examiner — Katrina A Betton

(74) *Attorney, Agent, or Firm* — Saidman DesignLaw Group, LLC

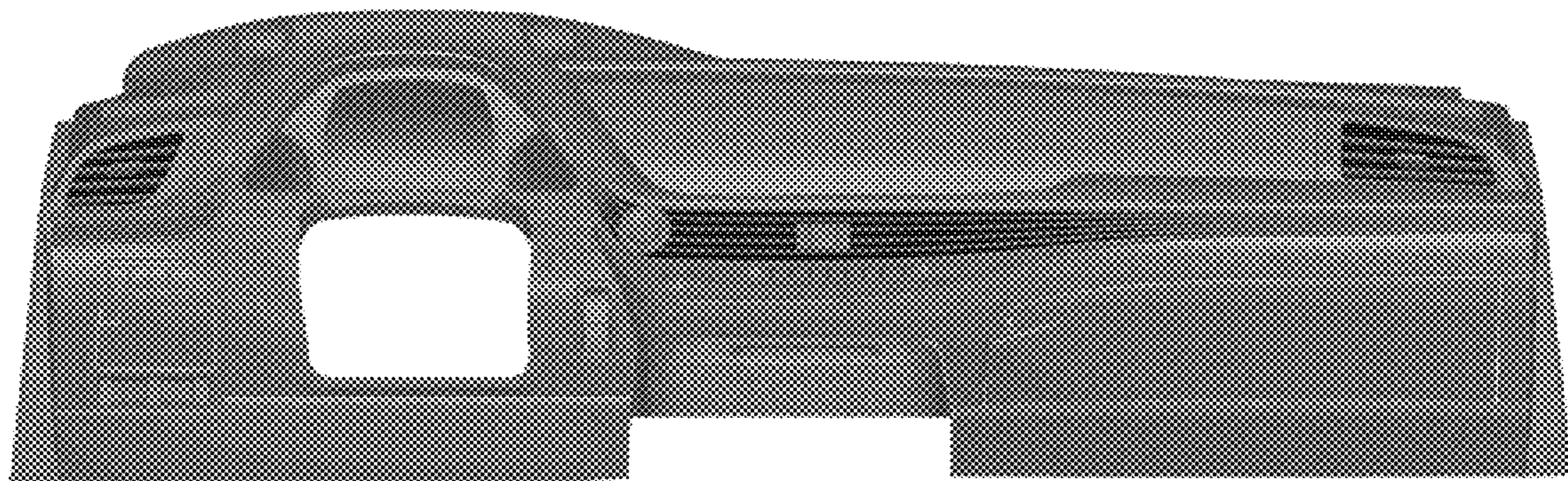
(57) **CLAIM**

The ornamental design for an instrument panel for an automobile, as shown and described.

DESCRIPTION

FIG. 1 is a perspective view of an instrument panel for an automobile showing my new design;
FIG. 2 is a front view thereof;
FIG. 3 is a rear view thereof;
FIG. 4 is a top view thereof;
FIG. 5 is a bottom view thereof;
FIG. 6 is a right side view thereof; and,
FIG. 7 is a left side view thereof.
The claimed design is indicated by the relatively dark portions in the figures. The relatively light portions in FIGS. 3, 4, 5, 6 and 7 form no part of the claimed design.

1 Claim, 7 Drawing Sheets



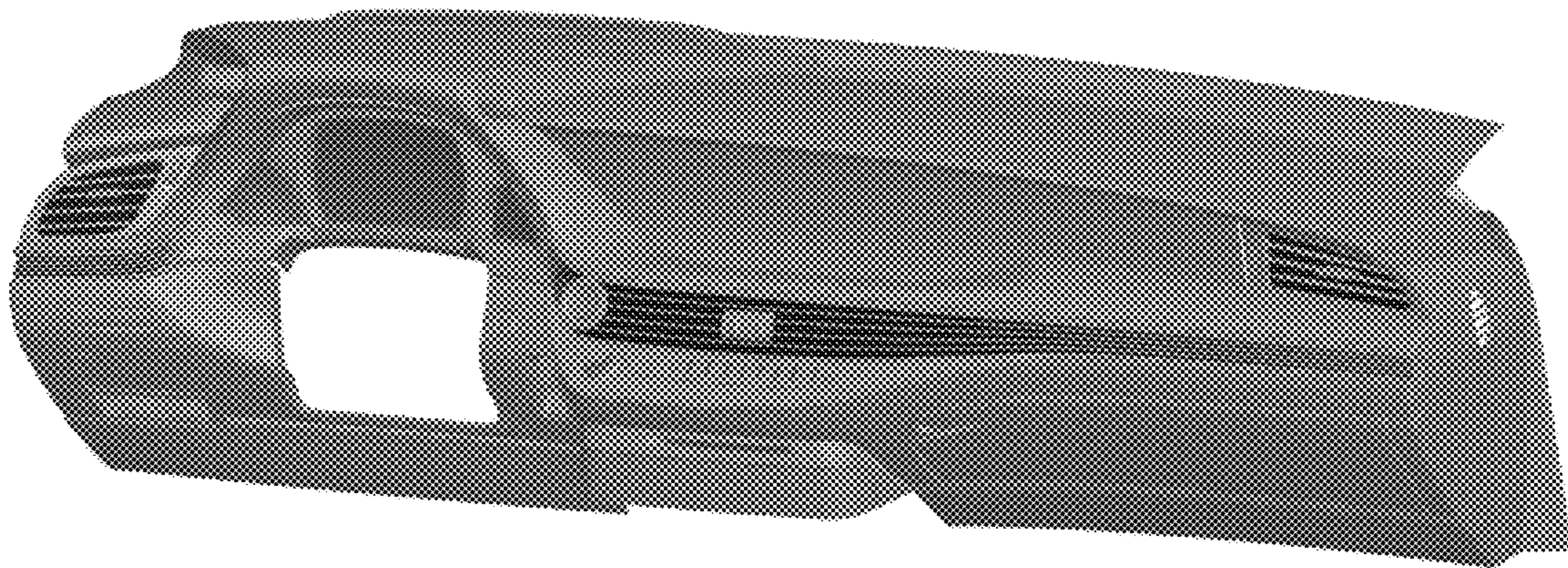


FIG. 1

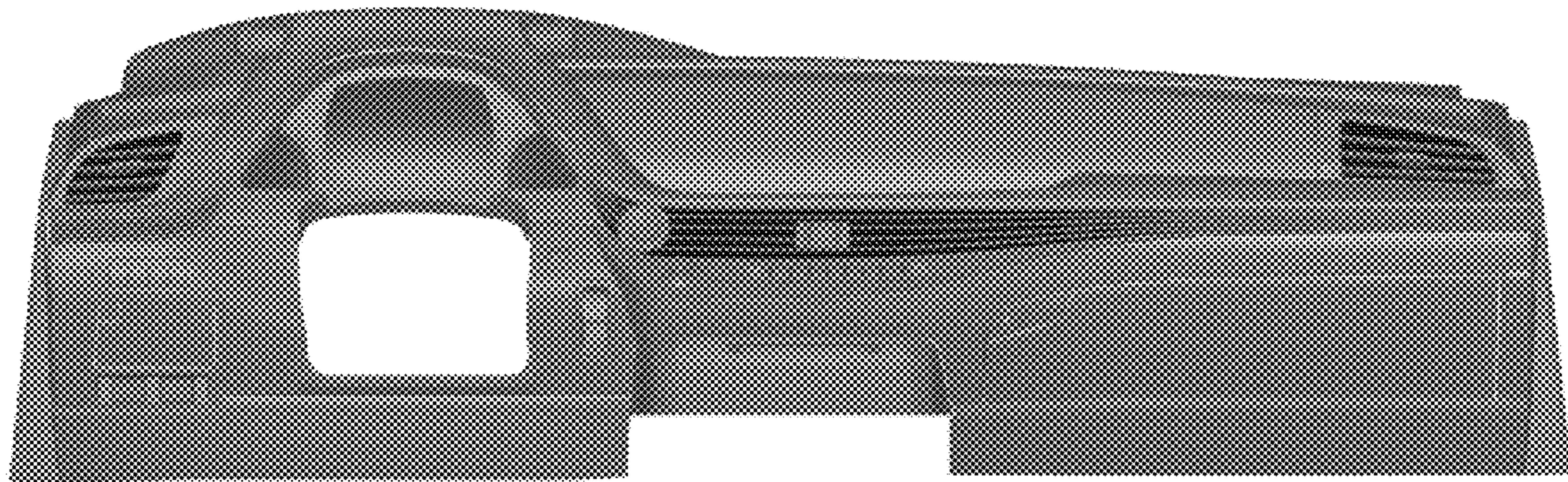


FIG. 2

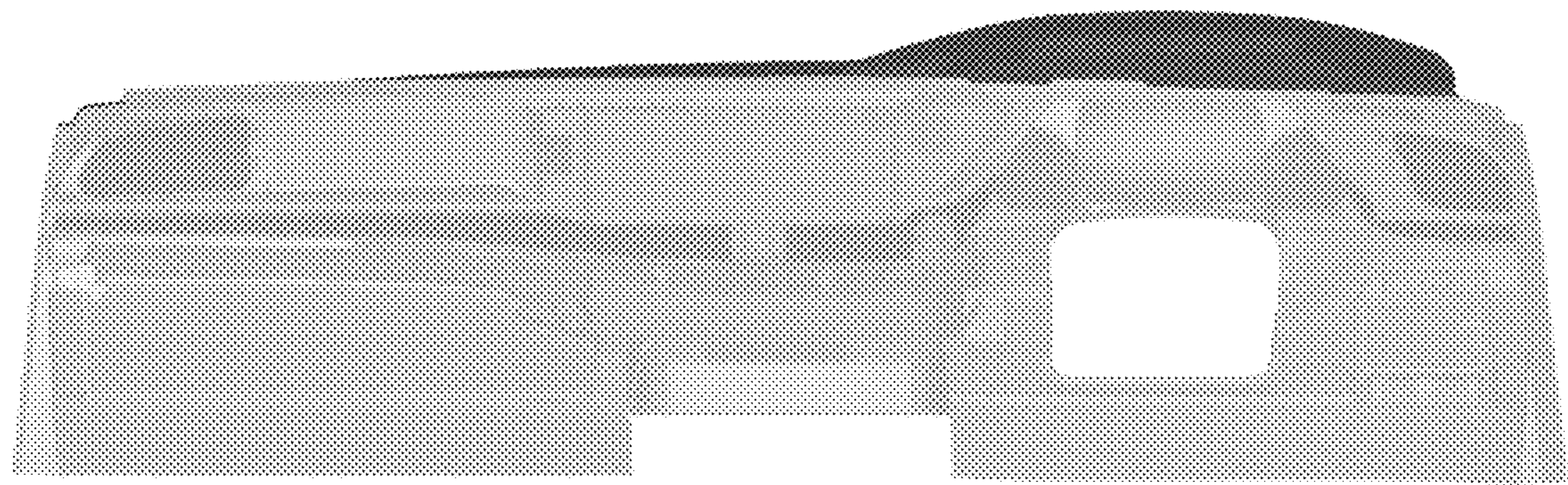


FIG. 3



FIG. 4

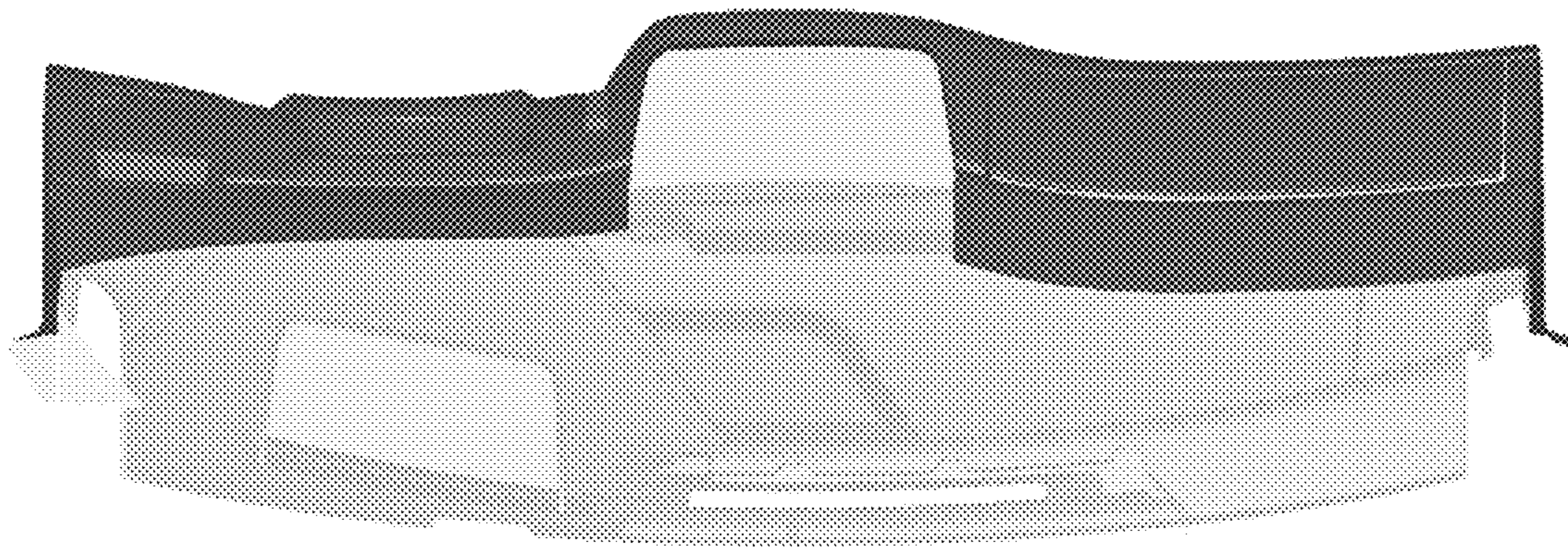


FIG. 5

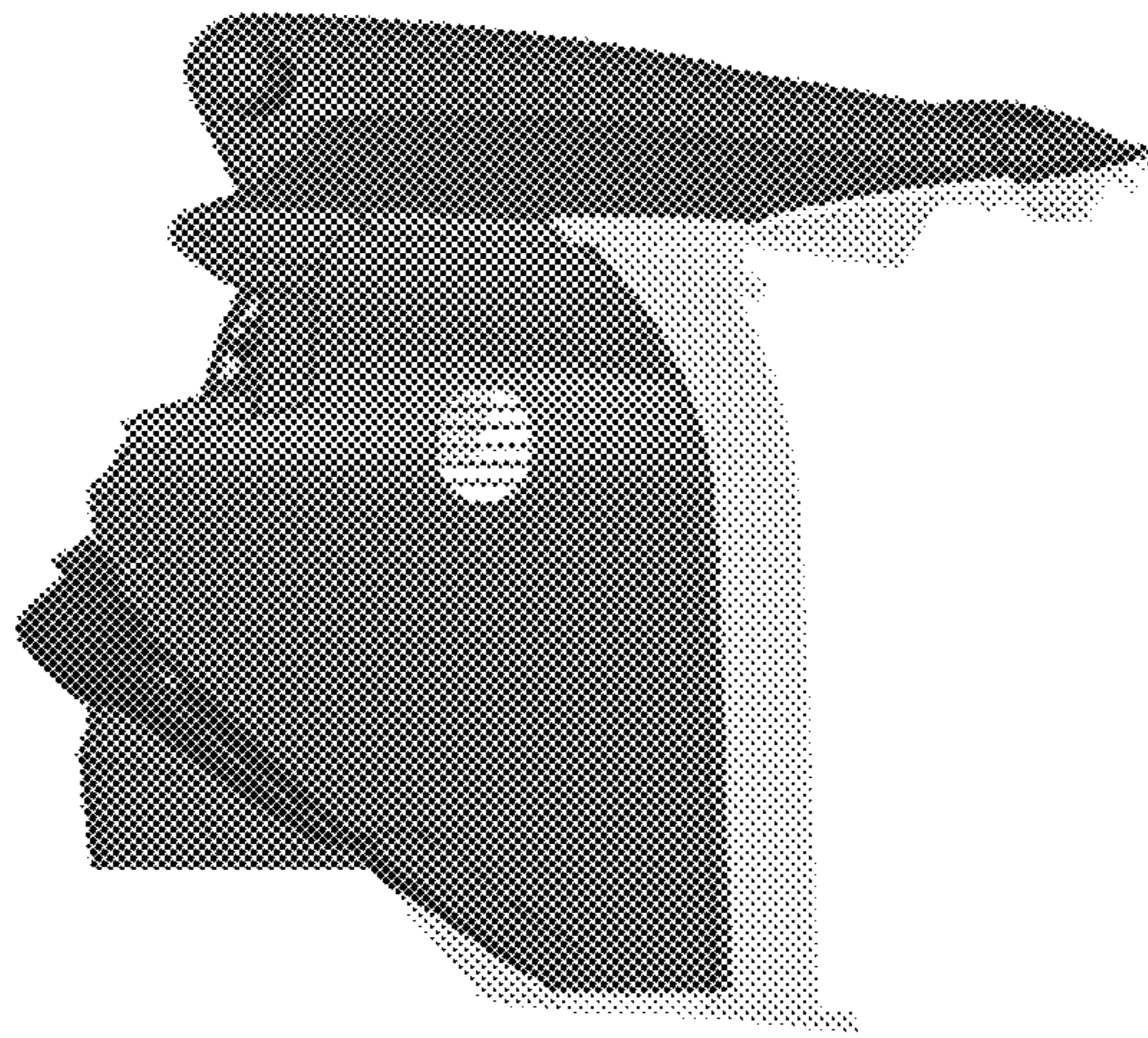


FIG. 6

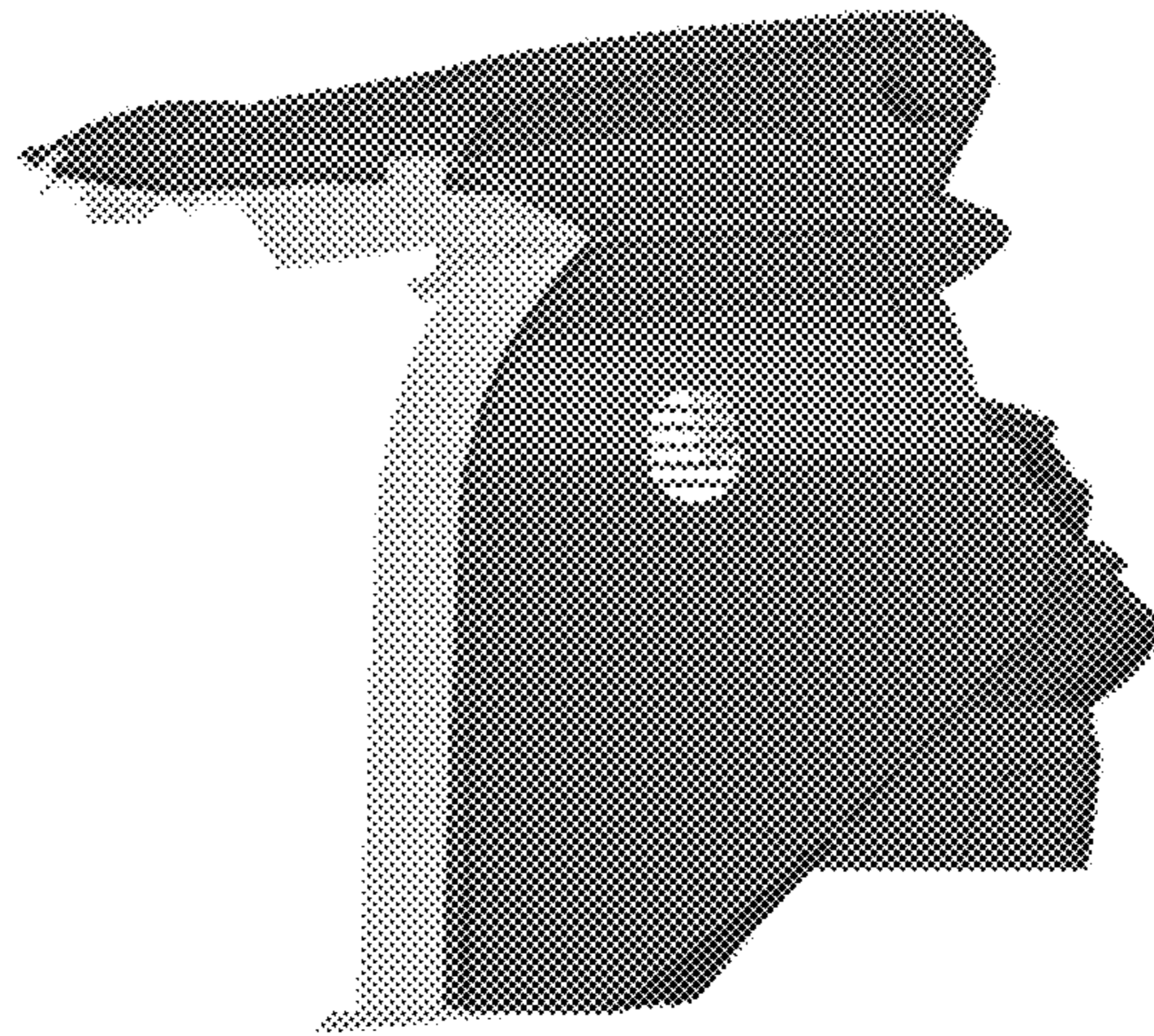


FIG. 7