



US00D826115S

(12) **United States Design Patent** (10) **Patent No.:** **US D826,115 S**  
**Chi** (45) **Date of Patent:** **\*\* Aug. 21, 2018**

- (54) **BUMPER FOR A VEHICLE**
- (71) Applicant: **Razer Auto, Inc.**, Upland, CA (US)
- (72) Inventor: **Samuel Chi**, Upland, CA (US)
- (73) Assignee: **Razer Auto, Inc.**, Upland, CA (US)
- (\*\*) Term: **15 Years**
- (21) Appl. No.: **29/590,944**
- (22) Filed: **Jan. 13, 2017**
- (51) **LOC (11) Cl.** ..... **12-16**
- (52) **U.S. Cl.**  
USPC ..... **D12/172**
- (58) **Field of Classification Search**  
USPC ..... D12/86, 90, 91, 92, 163, 169, 171, 196,  
D12/216  
CPC ..... B60R 19/02; B60R 19/04; B62D 25/00;  
B62D 25/06; B62D 25/08; B62D 35/00  
See application file for complete search history.

|                   |         |          |       |            |
|-------------------|---------|----------|-------|------------|
| D777,619 S *      | 1/2017  | Barajas  | ..... | D12/167    |
| D781,193 S *      | 3/2017  | McMath   | ..... | D12/196    |
| D785,504 S *      | 5/2017  | Higgs    | ..... | D12/91     |
| D792,817 S *      | 7/2017  | McMath   | ..... | D12/169    |
| D792,818 S *      | 7/2017  | McMath   | ..... | D12/169    |
| D793,304 S *      | 8/2017  | McMath   | ..... | D12/169    |
| D794,519 S *      | 8/2017  | McMath   | ..... | D12/169    |
| D796,399 S *      | 9/2017  | Steen    | ..... | D12/169    |
| D800,036 S *      | 10/2017 | Bennett  | ..... | D12/169    |
| D800,226 S *      | 10/2017 | Zeng     | ..... | D21/433    |
| D801,892 S *      | 11/2017 | Drever   | ..... | D12/171    |
| 2017/0088076 A1 * | 3/2017  | Fujimoto | ..... | B60R 19/44 |
| 2017/0247014 A1 * | 8/2017  | Farooq   | ..... | B60R 19/12 |
| 2017/0349227 A1 * | 12/2017 | Spindler | ..... | B62D 65/10 |

\* cited by examiner

*Primary Examiner* — Susan Bennett Hattan  
*Assistant Examiner* — Suzanne E Tisdell  
(74) *Attorney, Agent, or Firm* — Eric Kelly

(57) **CLAIM**

What is claimed is the ornamental design for a bumper for a vehicle, as shown and described.

**DESCRIPTION**

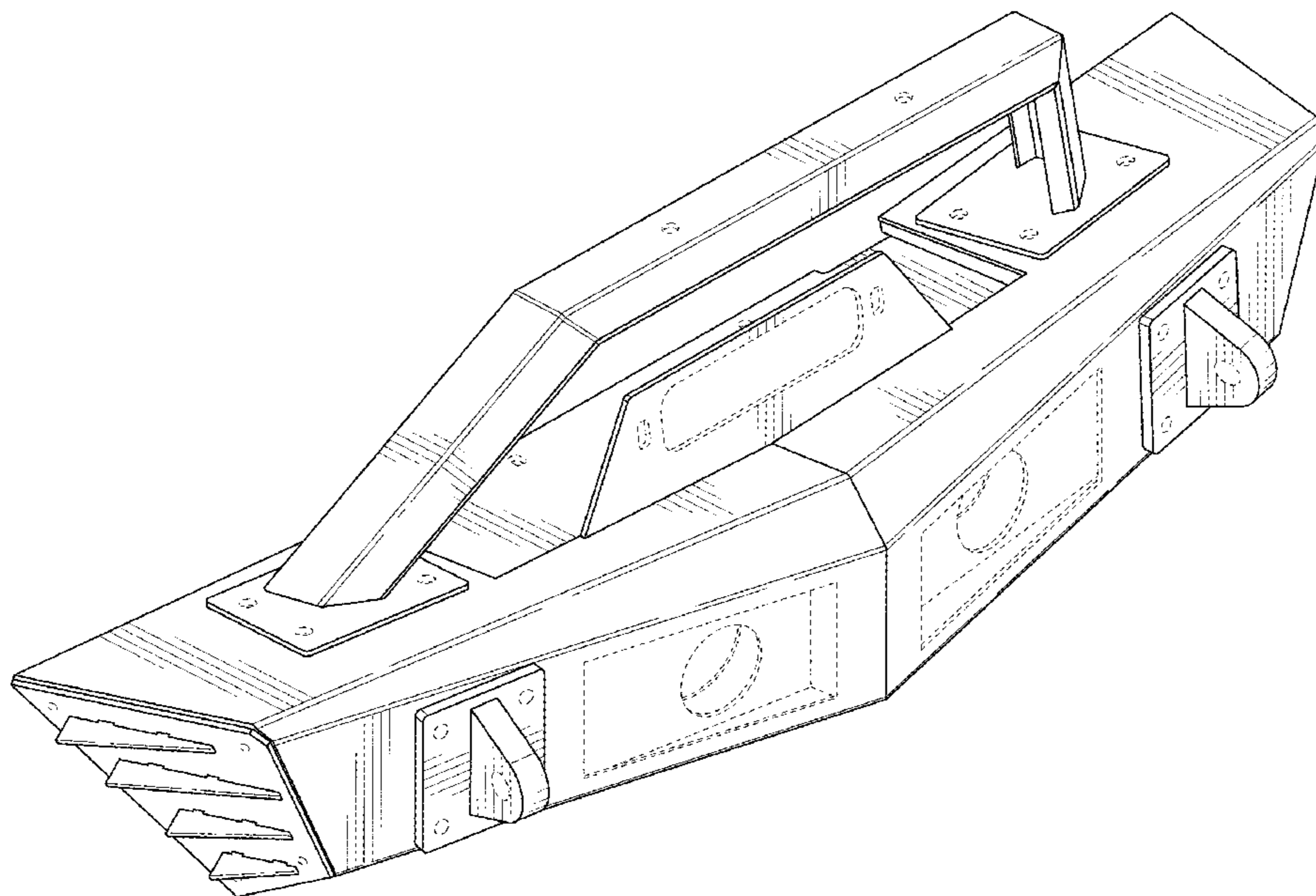
FIG. 1 illustrates a perspective view of a new and ornamental bumper for a vehicle, according to one embodiment; FIG. 2 illustrates a front view thereof; FIG. 3 illustrates a back view thereof; FIG. 4 illustrates a left-side view thereof; FIG. 5 illustrates a right-side view thereof; FIG. 6 illustrates a top view thereof; and, FIG. 7 illustrates a bottom view thereof. Broken lines in the drawings depict portions of the bumper for a vehicle that form no part of the claimed design.

**1 Claim, 6 Drawing Sheets**

(56) **References Cited**

**U.S. PATENT DOCUMENTS**

|              |         |           |       |         |
|--------------|---------|-----------|-------|---------|
| D722,927 S * | 2/2015  | Schroeder | ..... | D12/171 |
| D726,605 S * | 4/2015  | Schroeder | ..... | D12/171 |
| D741,233 S * | 10/2015 | Glover    | ..... | D12/169 |
| D744,384 S * | 12/2015 | Harriton  | ..... | D12/169 |
| D744,386 S * | 12/2015 | Harriton  | ..... | D12/169 |
| D744,387 S * | 12/2015 | Harriton  | ..... | D12/169 |
| D749,995 S * | 2/2016  | Azadi     | ..... | D12/163 |
| D760,133 S * | 6/2016  | Bennett   | ..... | D12/171 |
| D775,013 S * | 12/2016 | Bennett   | ..... | D12/169 |
| D775,016 S * | 12/2016 | Reynolds  | ..... | D12/171 |
| D776,582 S * | 1/2017  | Bennett   | ..... | D12/169 |
| D777,618 S * | 1/2017  | Setina    | ..... | D12/171 |



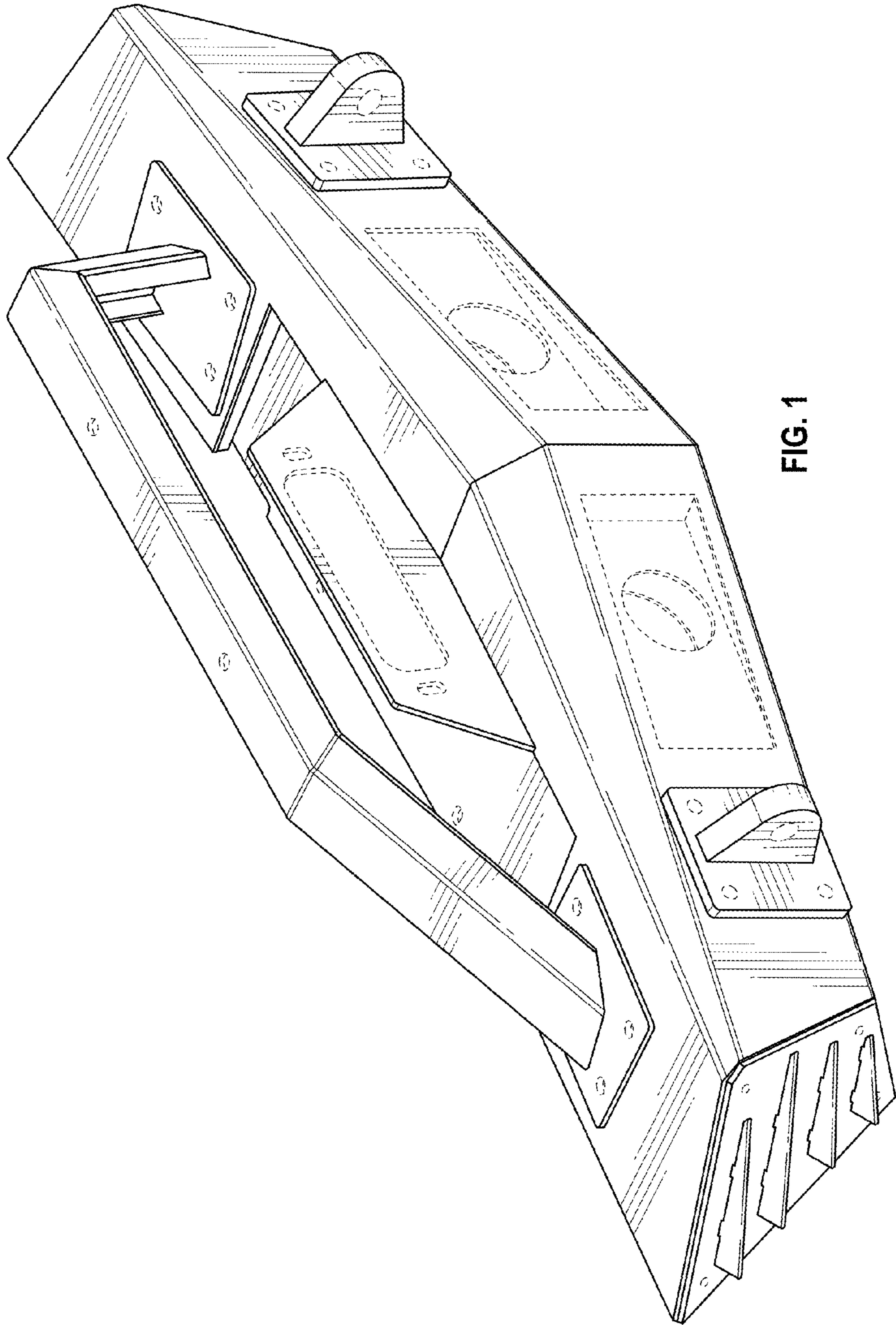


FIG. 1

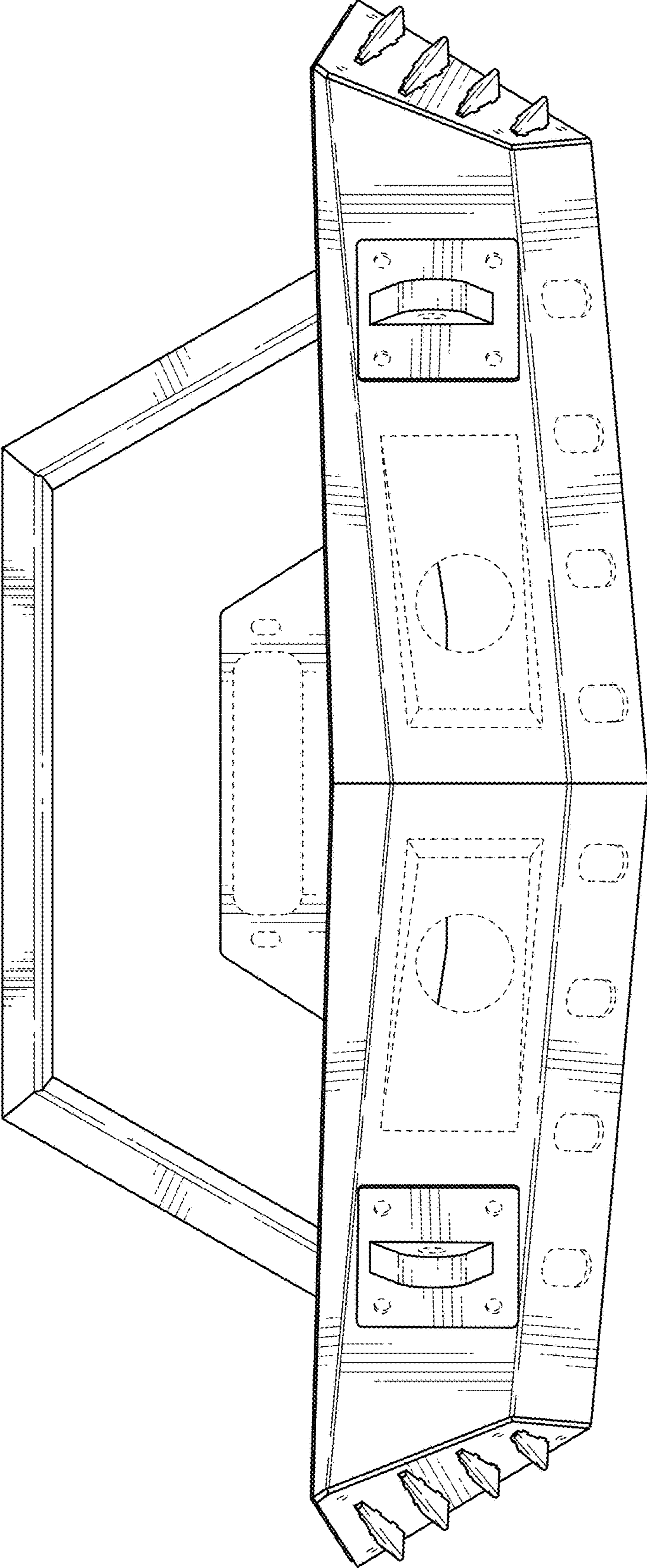


FIG. 2

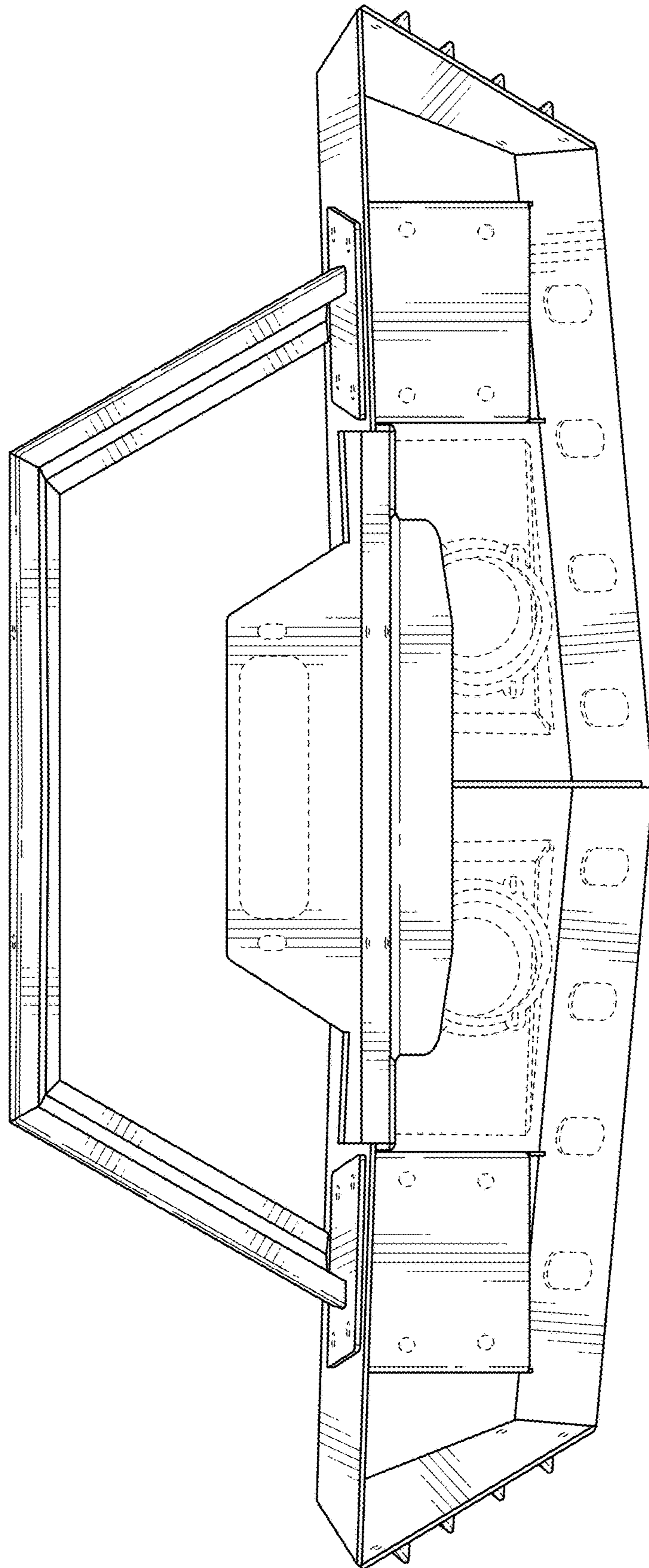


FIG. 3

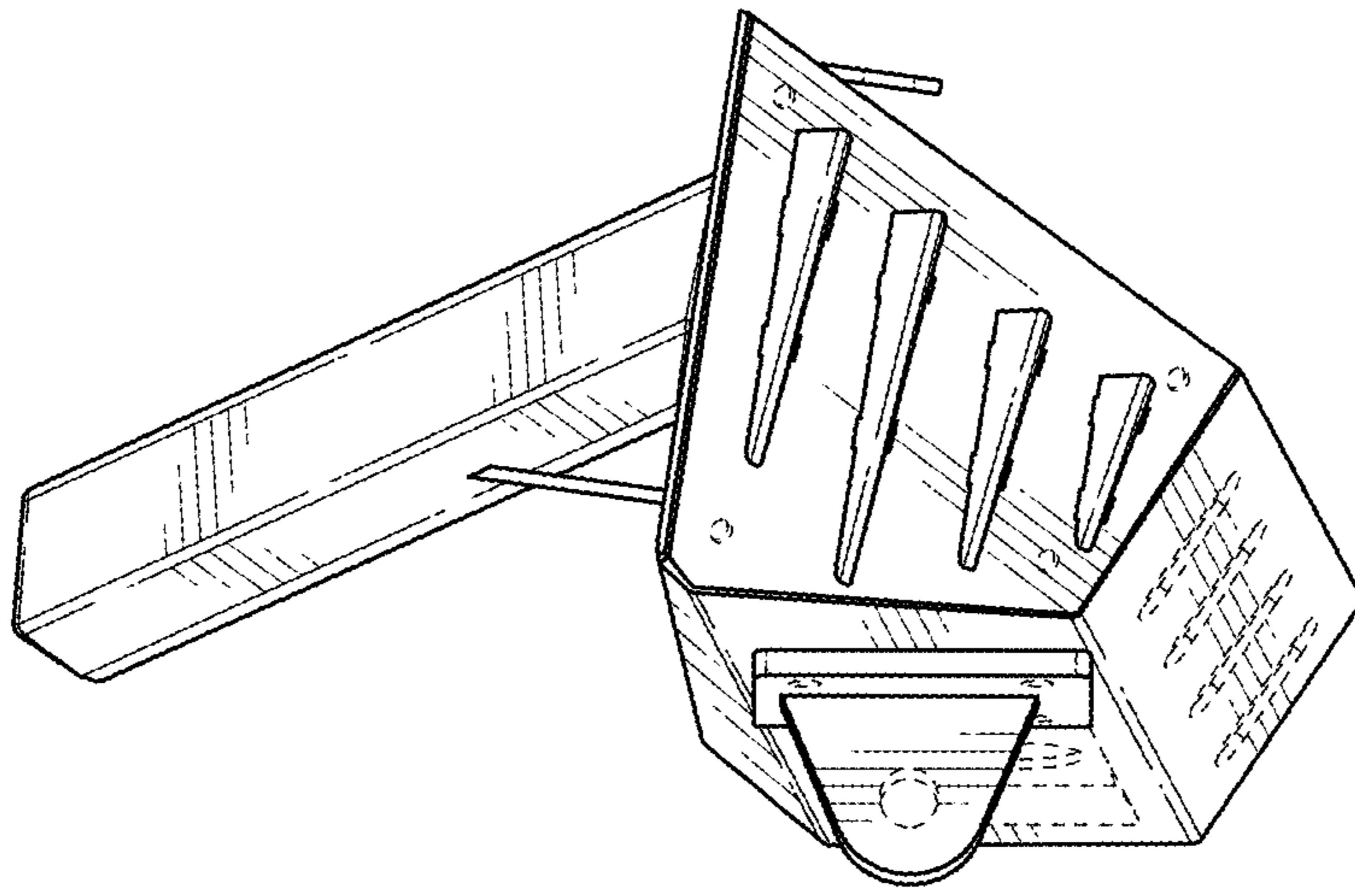


FIG. 5

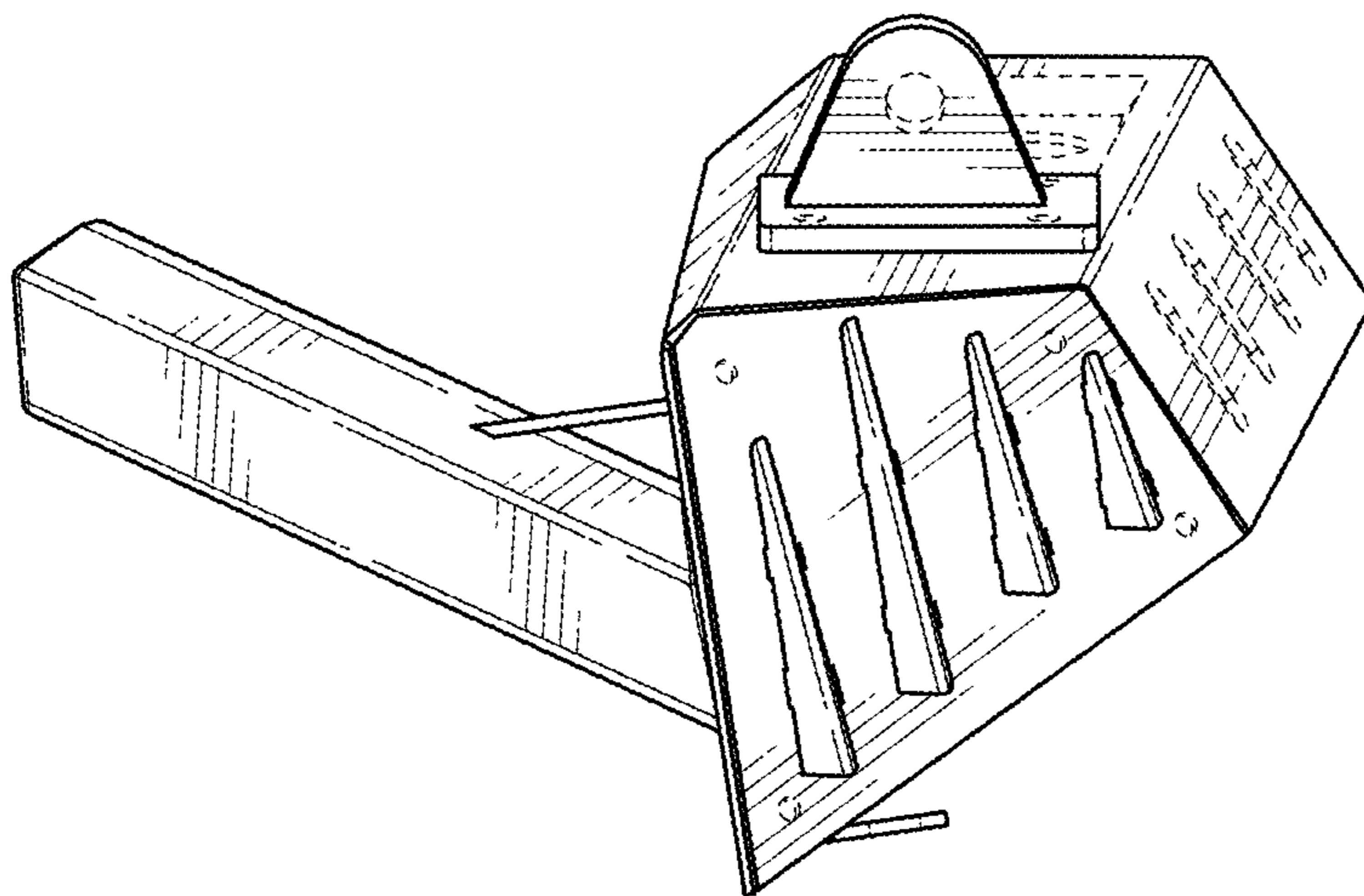


FIG. 4

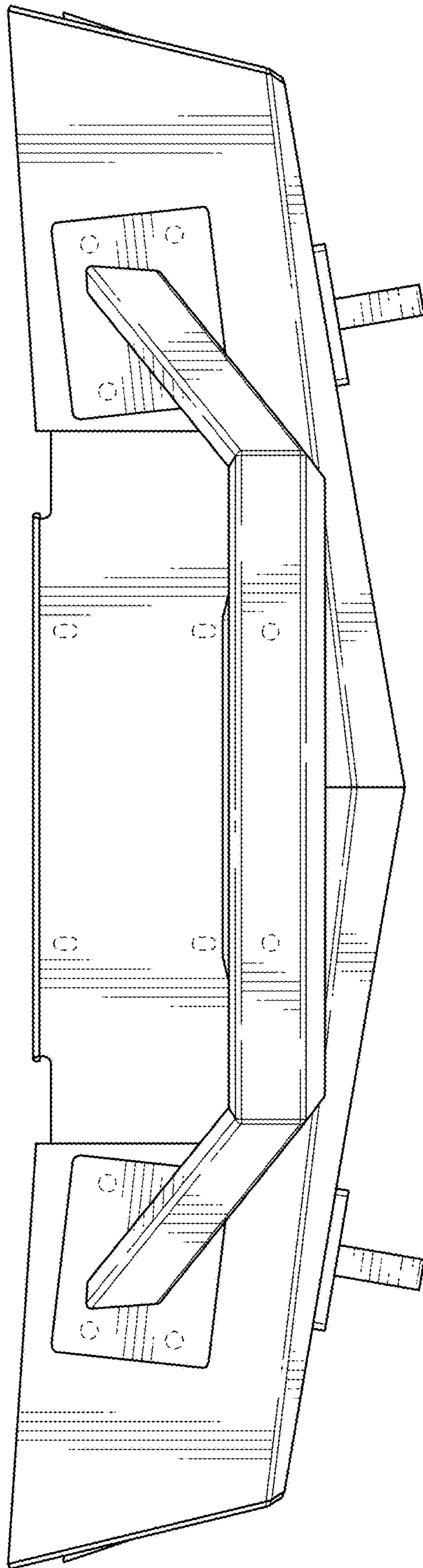


FIG. 6

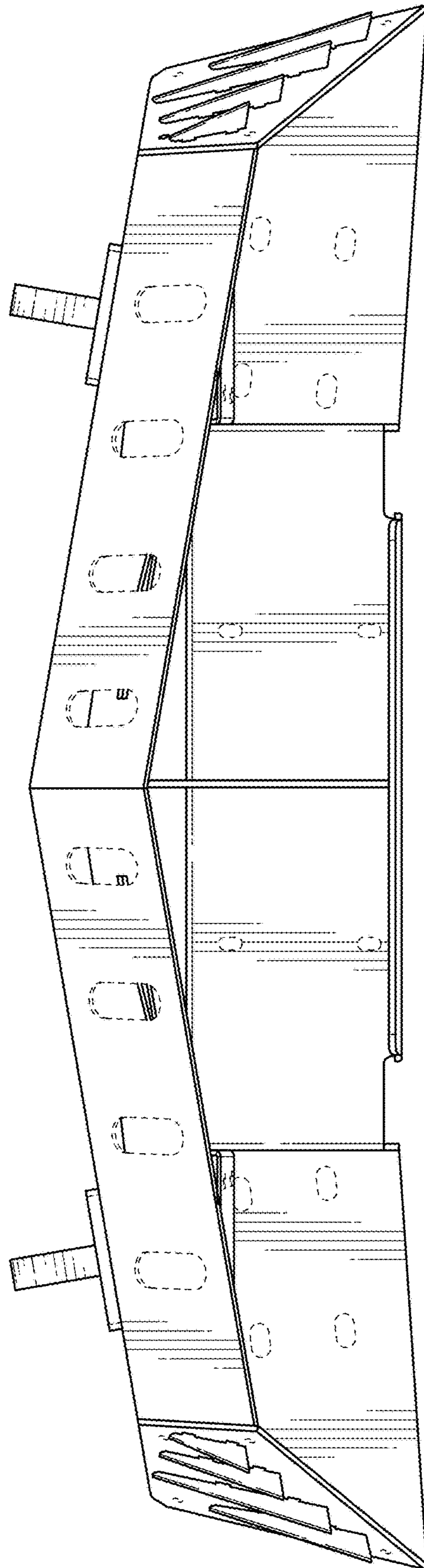


FIG. 7