



US00D826112S

(12) **United States Design Patent** (10) **Patent No.:** **US D826,112 S**  
**DiCanzio** (45) **Date of Patent:** **\*\* Aug. 21, 2018**

(54) **AUTOMOBILE FRONT BUMPER SPLITTER**

(71) Applicant: **Turn 5, Inc.**, Malvern, PA (US)

(72) Inventor: **Michael DiCanzio**, West Chester, PA (US)

(73) Assignee: **Turn 5, Inc.**, Paoli, PA (US)

(\*\*) Term: **15 Years**

(21) Appl. No.: **29/601,973**

(22) Filed: **Apr. 27, 2017**

(51) **LOC (11) Cl.** ..... **12-16**

(52) **U.S. Cl.**  
USPC ..... **D12/169**

(58) **Field of Classification Search**  
USPC ..... D12/86-92, 163-172  
CPC ..... B60R 19/18; B60R 19/24; B60R 19/44;  
B60R 19/48; B60R 19/56; B60R  
2019/527; B60R 2019/1886; B62D  
25/0845

See application file for complete search history.

(56) **References Cited**

**U.S. PATENT DOCUMENTS**

D291,680	S *	9/1987	Everts	.....	D12/170
D491,851	S *	6/2004	Perfetti	.....	D12/181
D495,636	S *	9/2004	Iwata	.....	D12/181
D542,196	S *	5/2007	Levy	.....	D12/169
D594,391	S *	6/2009	Bhambra	.....	D12/169
D600,606	S *	9/2009	Lamm	.....	D12/169
D601,063	S *	9/2009	Lamm	.....	D12/169
D603,308	S *	11/2009	Schiavone	.....	D12/169
D603,764	S *	11/2009	Youn	.....	D12/169
D603,765	S *	11/2009	Youn	.....	D12/169
D607,384	S *	1/2010	Krauss	.....	D12/181
D607,790	S *	1/2010	Golden	.....	D12/169
7,661,753	B2 *	2/2010	Shinedling	.....	B62D 35/005 296/180.5

D614,099	S *	4/2010	Ectors	.....	D12/169
D614,555	S *	4/2010	Ectors	.....	D12/169
D646,607	S *	10/2011	Verhee	.....	D12/169
D654,840	S *	2/2012	Barnaba	.....	D12/190
8,210,600	B1 *	7/2012	Verhee	.....	B62D 35/005 296/180.1
D664,903	S *	8/2012	Platto	.....	D12/169
D678,142	S *	3/2013	Behmer	.....	D12/169
D678,143	S *	3/2013	Behmer	.....	D12/169
D681,518	S *	5/2013	Platto	.....	D12/169
D683,669	S *	6/2013	Giachin	.....	D12/169
D683,672	S *	6/2013	Platto	.....	D12/169
D699,168	S *	2/2014	Osborne	.....	D12/169
D710,264	S *	8/2014	Watkins	.....	D12/169
D721,623	S *	1/2015	Platto	.....	D12/169
D739,315	S *	9/2015	Blanski	.....	D12/169
D739,321	S *	9/2015	Blanski	.....	D12/169
D744,915	S *	12/2015	Curic	.....	D12/169

(Continued)

*Primary Examiner* — Darlington Ly

(74) *Attorney, Agent, or Firm* — Schott, P.C.

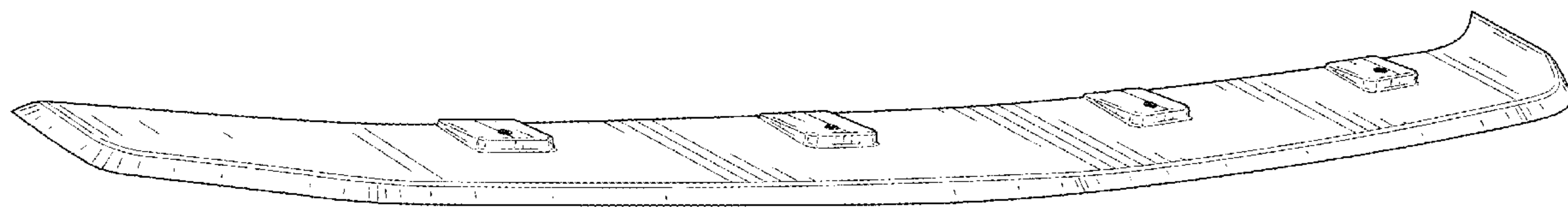
(57) **CLAIM**

The ornamental design for an automobile front bumper splitter, as shown and described.

**DESCRIPTION**

FIG. 1 is a top, front, and right side perspective view of an automobile front bumper splitter showing my new design; FIG. 2 is a top plan view thereof; FIG. 3 is a bottom plan view thereof; FIG. 4 is a front elevation view thereof; FIG. 5 is a rear elevation view thereof; FIG. 6 is a left side elevation view thereof; FIG. 7 is a right side elevation view thereof; and, FIG. 8 is a top, front, and right side perspective view installed in an exemplary automobile. The broken line showing of an automobile is provided for the purpose of illustrating environmental structure and forms no part of the claimed design.

**1 Claim, 5 Drawing Sheets**



(56)

**References Cited**

U.S. PATENT DOCUMENTS

D744,916	S	*	12/2015	Curic	.....	D12/169
D744,922	S	*	12/2015	Jamieson	.....	D12/196
D749,470	S	*	2/2016	Behmer	.....	D12/169
D753,562	S	*	4/2016	Wolff	.....	D12/169
D762,147	S	*	7/2016	Messale	.....	D12/169
D771,536	S	*	11/2016	Wolff	.....	D12/169
D774,428	S	*	12/2016	Davidson	.....	D12/169
D787,386	S	*	5/2017	Chang	.....	D12/169
9,643,665	B2	*	5/2017	Hommel	.....	B62D 37/02
D788,658	S	*	6/2017	Chang	.....	D12/169
D797,619	S	*	9/2017	Jung	.....	D12/169
D802,496	S	*	11/2017	Mainville	.....	D12/169
D803,111	S	*	11/2017	Jang	.....	D12/169
D807,251	S	*	1/2018	Piscitelli	.....	D12/169
D813,746	S	*	3/2018	Behmer	.....	D12/169
D813,747	S	*	3/2018	Behmer	.....	D12/169

\* cited by examiner

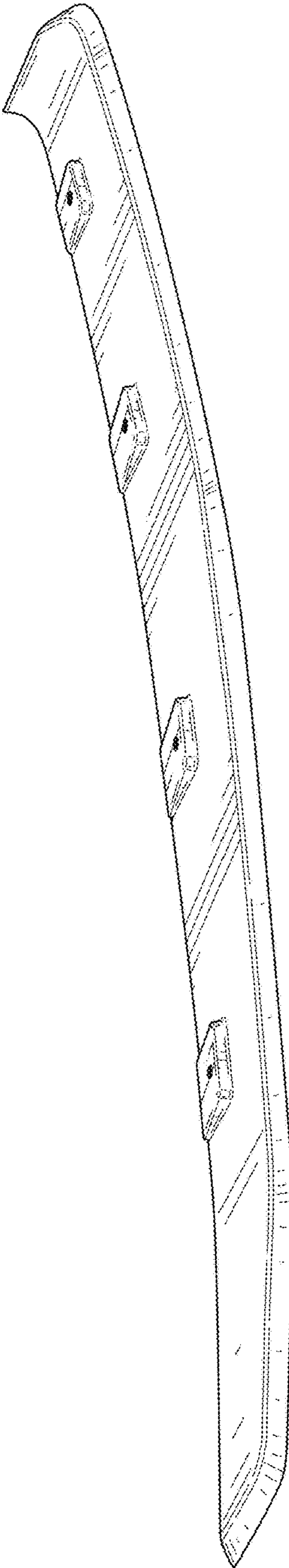


FIG. 1

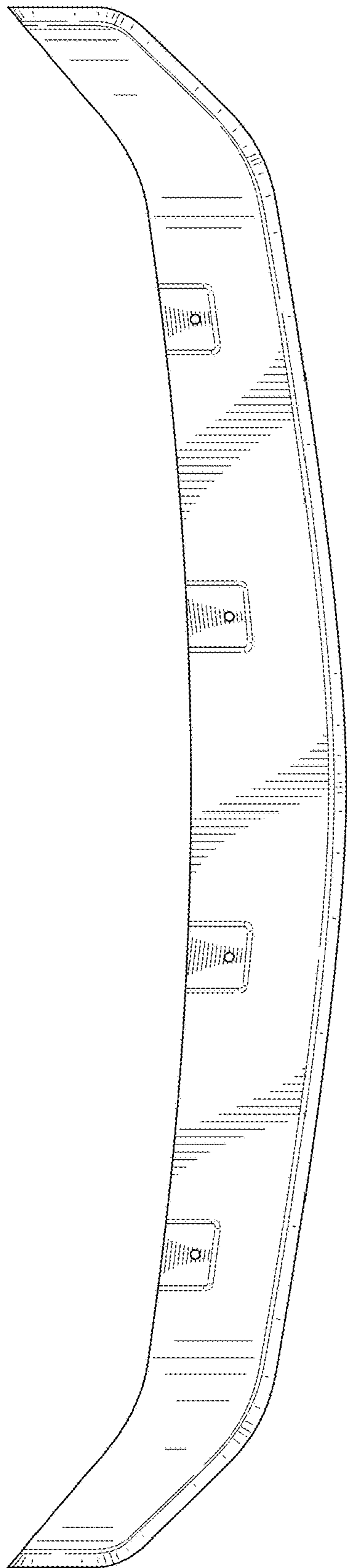


FIG. 2

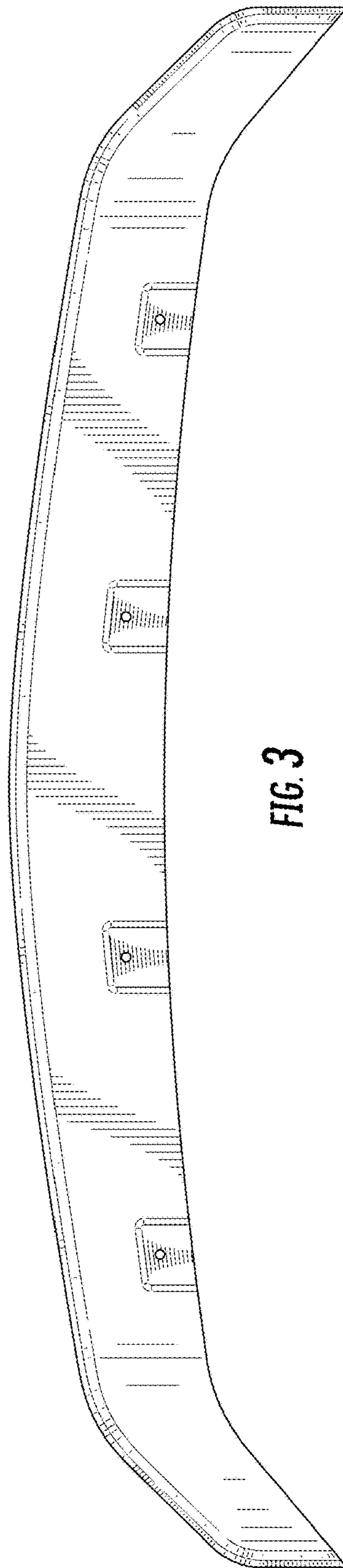


FIG. 3

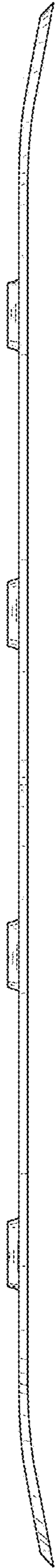


FIG. 4

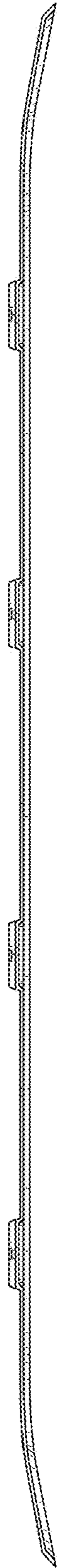


FIG. 5



**FIG. 6**



**FIG. 7**



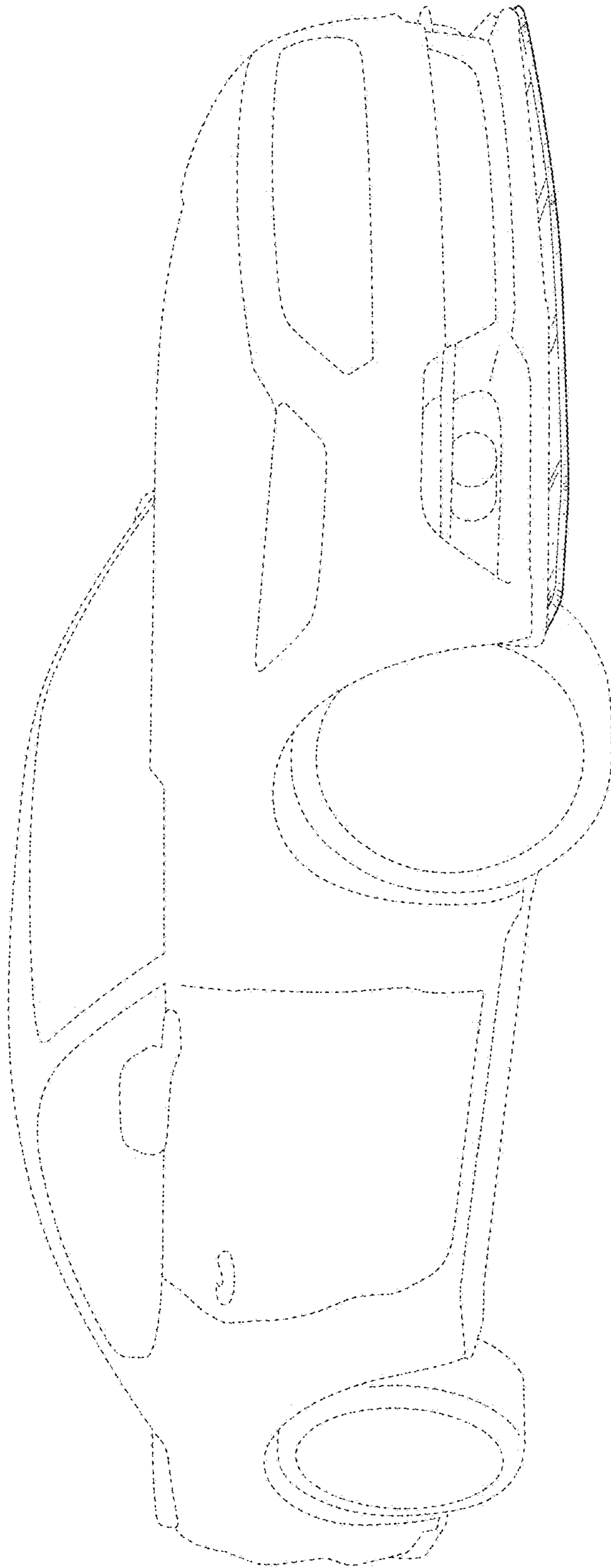


FIG. 8