



US00D826109S

(12) **United States Design Patent**
Kuwahara

(10) **Patent No.:** **US D826,109 S**
(45) **Date of Patent:** **** Aug. 21, 2018**

(54) **FRONT BUMPER FOR AUTOMOBILE**
(71) Applicant: **Nissan Motor Co., Ltd.**, Yokohama,
Kanagawa (JP)
(72) Inventor: **Hirotsada Kuwahara**, Kanagawa (JP)
(73) Assignee: **Nissan Motor Co., Ltd.**, Yokohama
(JP)
(**) Term: **15 Years**

JP D1176744 S 6/2003
JP D1216948 S 9/2004
JP D1315095 S 11/2007
JP D1315107 S 11/2007
JP D1318603 S 1/2008
JP D1322711 S 2/2008
JP D1333007 S 6/2008
JP D1355238 S 4/2009
JP D1358462 S 5/2009
JP D1388604 S 5/2010
JP D1388977 S 5/2010
JP D1389342 S 6/2010

(Continued)

(21) Appl. No.: **29/599,579**

Primary Examiner — Melody N Brown

(22) Filed: **Apr. 5, 2017**

(30) **Foreign Application Priority Data**

Oct. 11, 2016 (JP) 2016-022064

(51) **LOC (11) Cl.** **12-16**

(52) **U.S. Cl.**
USPC **D12/169**

(58) **Field of Classification Search**
USPC D12/169, 216, 90-92, 86, 171, 196, 163;
293/102, 113, 115, 117, 120; 296/180.1,
296/180.2
CPC B60R 19/02; B60R 19/04; B62D 25/08
See application file for complete search history.

(56) **References Cited**

U.S. PATENT DOCUMENTS

D752,486 S * 3/2016 Sperling D12/169
D754,577 S * 4/2016 Kubo D12/169
D760,131 S * 6/2016 Kanno D12/169
D786,744 S * 5/2017 Nurnberger D12/169
D803,110 S * 11/2017 Seo D12/169

FOREIGN PATENT DOCUMENTS

JP D1092538 S 12/2000
JP D1165484 S 2/2003

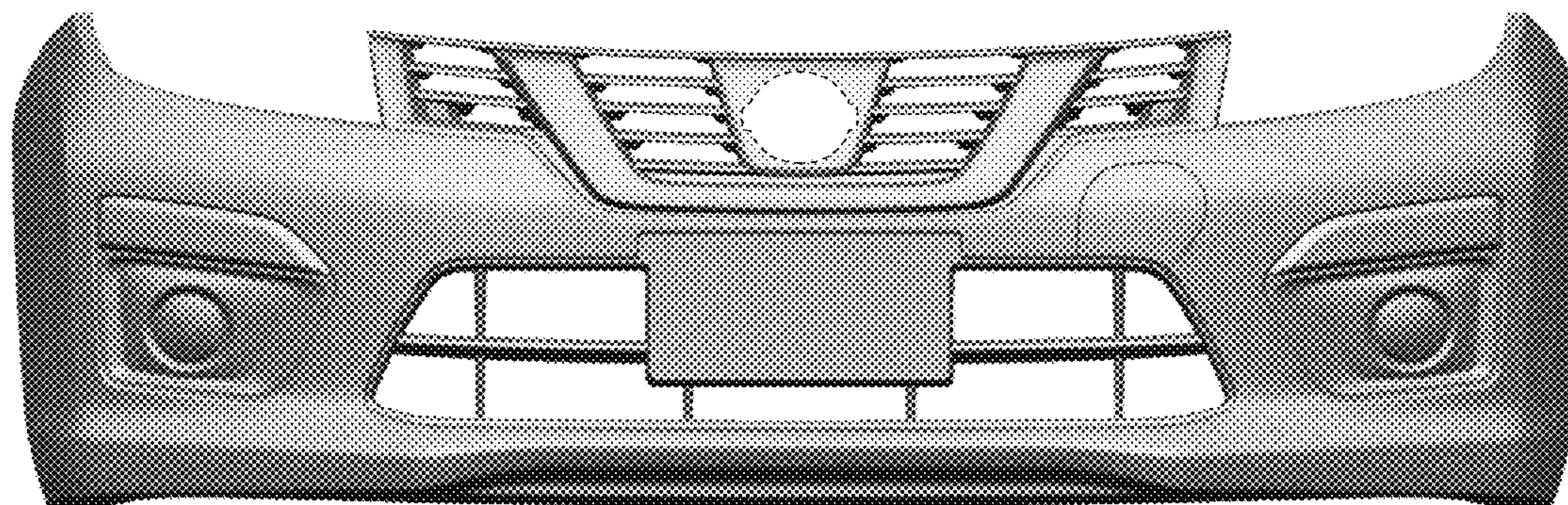
(57) **CLAIM**

The ornamental design for a front bumper for an automobile,
as shown and described.

DESCRIPTION

FIG. 1 is a front elevational view of a front bumper for an automobile in accordance with our new design;
FIG. 2 is a top plan view thereof;
FIG. 3 is a bottom plan view thereof;
FIG. 4 is a left side elevational view thereof;
FIG. 5 is a right side elevational view thereof;
FIG. 6 is a bottom, front and left side perspective view thereof; and,
FIG. 7 is a top, front and right side perspective view thereof.
The rear view of the front bumper forms no part of the claimed design. The environmental structure of the front bumper, shown in broken lines in FIGS. 1, 2, 6 and 7, form no part of the claimed design. In addition, the front bumper is configured to be mounted to an automobile. The inside surfaces of the front bumper, shown in broken lines in FIGS. 2, 3, 6 and 7, form no part of the claimed design since the inside surfaces are hidden when the front bumper is mounted to the automobile.

1 Claim, 7 Drawing Sheets



(56)

References Cited

FOREIGN PATENT DOCUMENTS

JP D1396799 S 9/2010
 JP D1397624 S 9/2010
 JP D1401635 S 11/2010
 JP D1410276 S 3/2011
 JP D1410902 S 4/2011
 JP D1412247 S 4/2011
 JP D1424420 S 10/2011
 JP D1433940 S 6/2012
 JP D1434360 S 6/2012
 JP D1443412 S 6/2012
 JP D1443734 S 6/2012
 JP D1424618 S 7/2012
 JP D1450656 S 9/2012
 JP D1457890 S 12/2012
 JP D1457964 S 12/2012
 JP D1451045 S 1/2013
 JP D1465079 S 3/2013
 JP D1466764 S 4/2013
 JP D1445044 S 6/2013
 JP D1474624 S 7/2013
 JP D1479632 S 9/2013
 JP D1483827 S 11/2013

JP D1483828 S 11/2013
 JP D1486863 S 12/2013
 JP D1489377 S 2/2014
 JP D1495754 S 4/2014
 JP D1499097 S 6/2014
 JP D1499561 S 6/2014
 JP D1499562 S 6/2014
 JP D1505508 S 8/2014
 JP D1509065 S 10/2014
 JP D1520769 S 4/2015
 JP D1530399 S 8/2015
 JP D1530860 S 8/2015
 JP D1545055 S 3/2016
 JP D1548747 S 5/2016
 JP D1548761 S 5/2016
 JP D1507443 S 9/2016
 JP D1561874 S 10/2016
 JP D1553537 S 1/2017
 JP D1553869 S 1/2017
 JP D1574296 S 4/2017
 JP D1581425 S 7/2017
 JP D1581426 S 7/2017
 JP D1576679 S 9/2017
 JP D1561810 S 10/2017

* cited by examiner

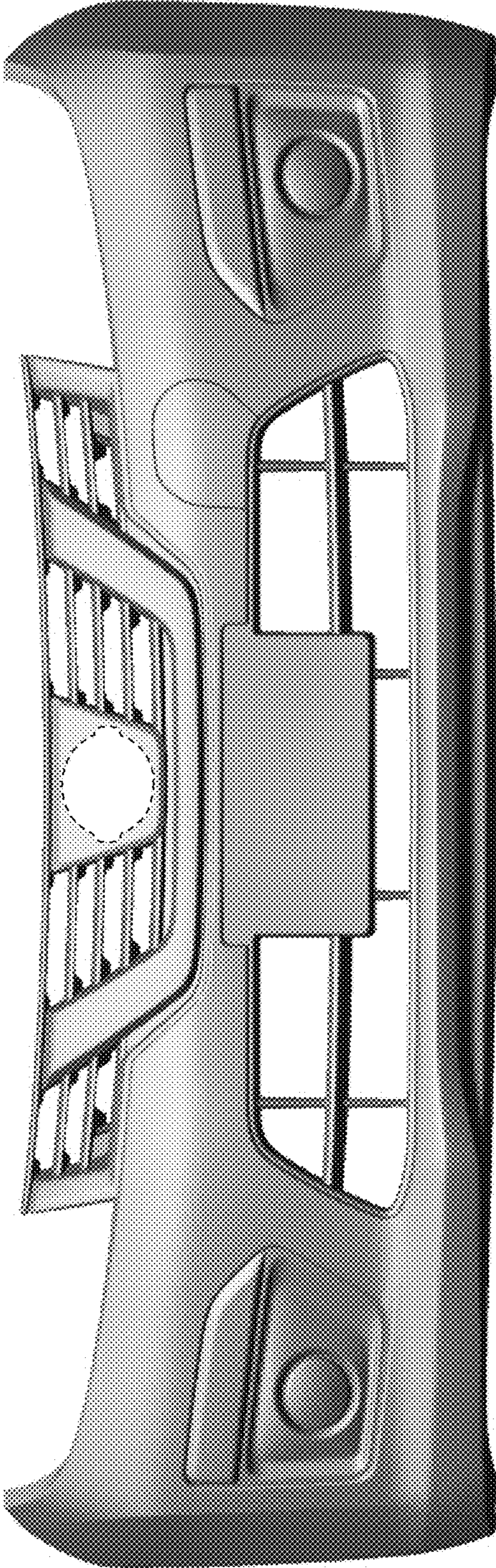


FIG. 1

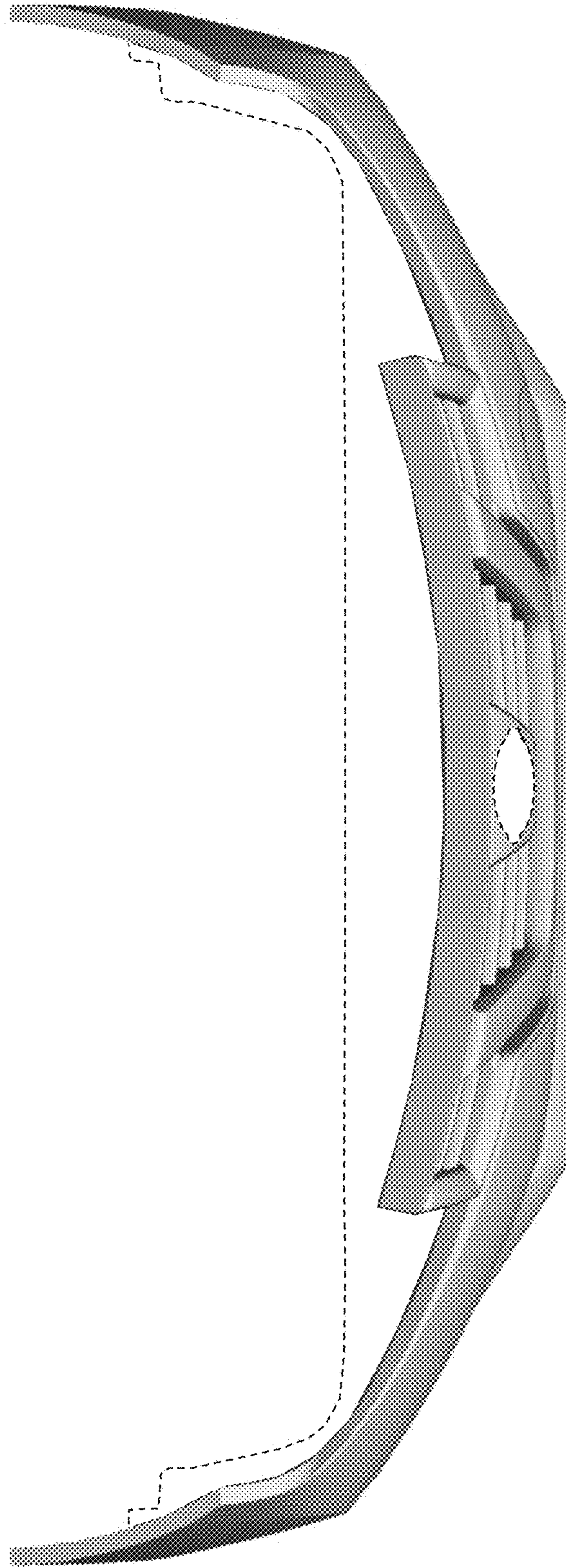


FIG. 2

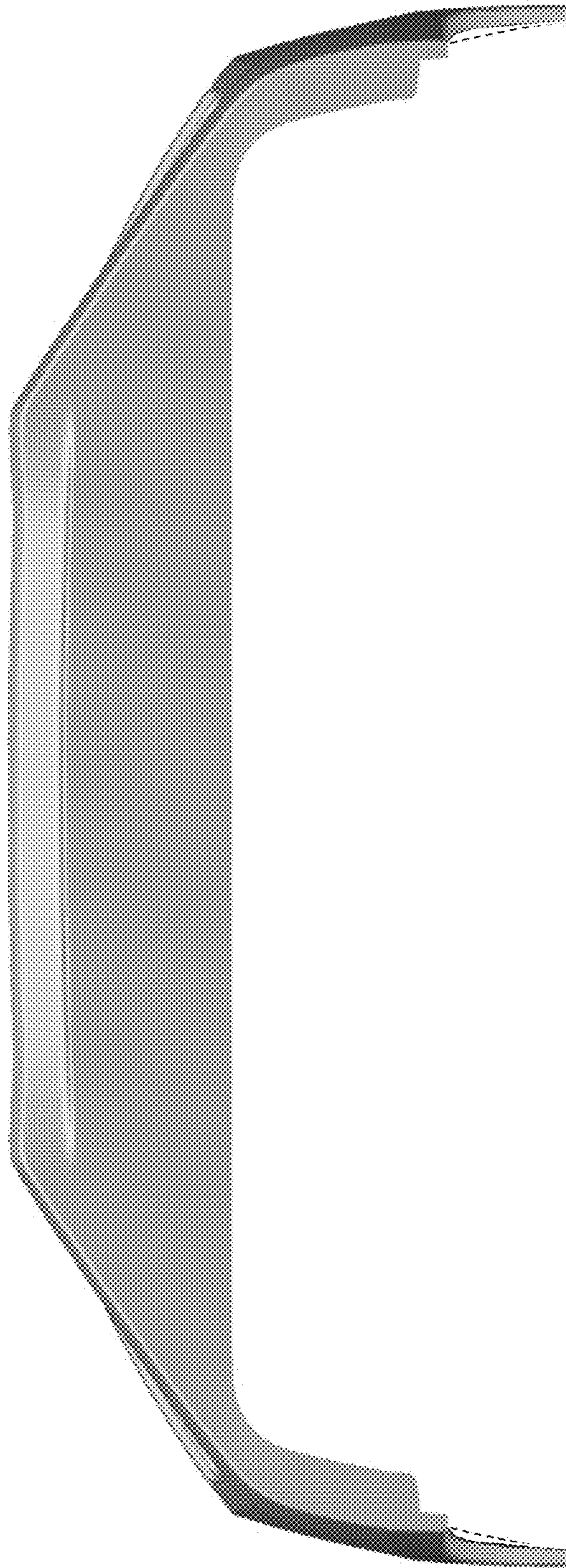


FIG. 3

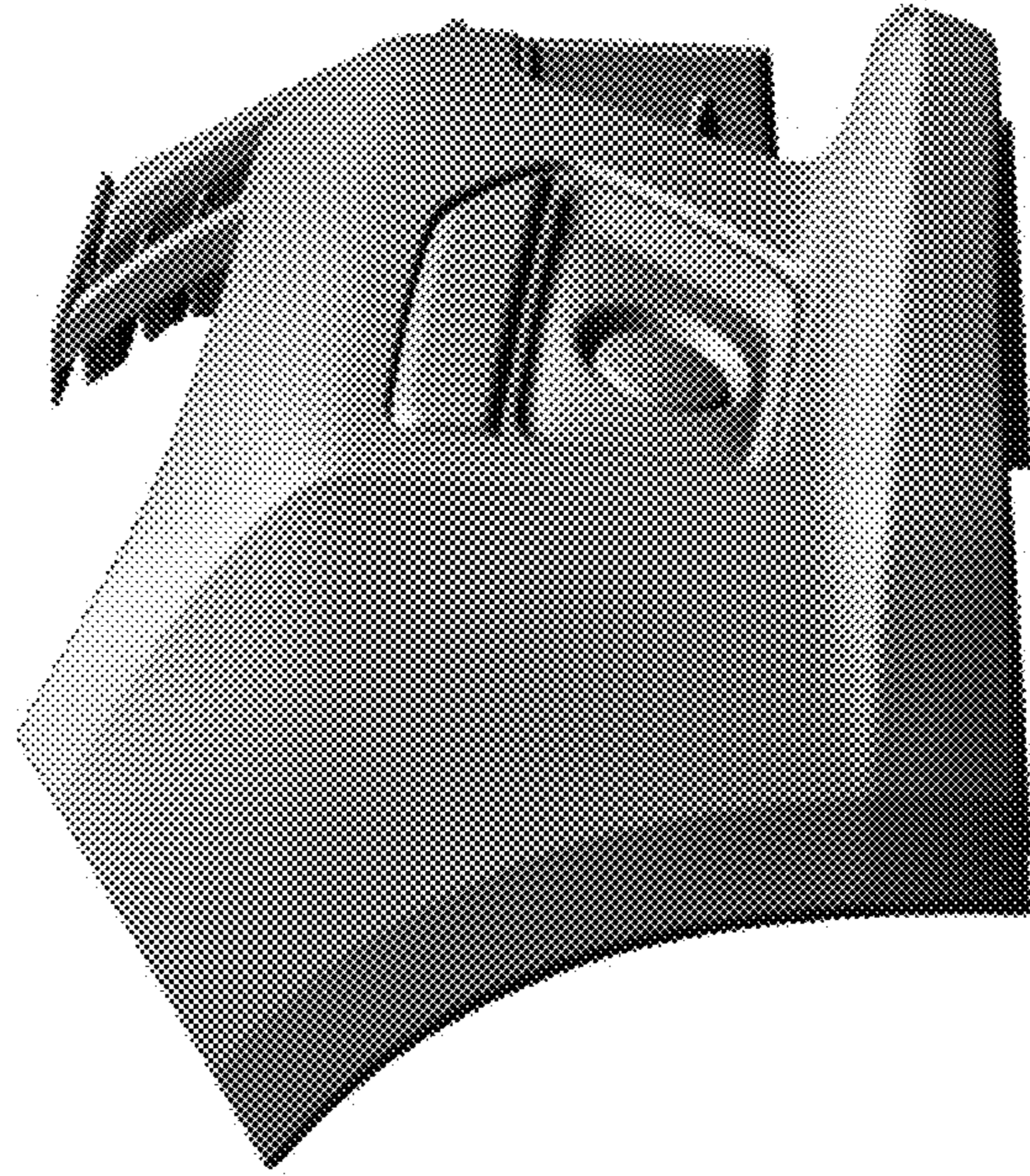


FIG. 4

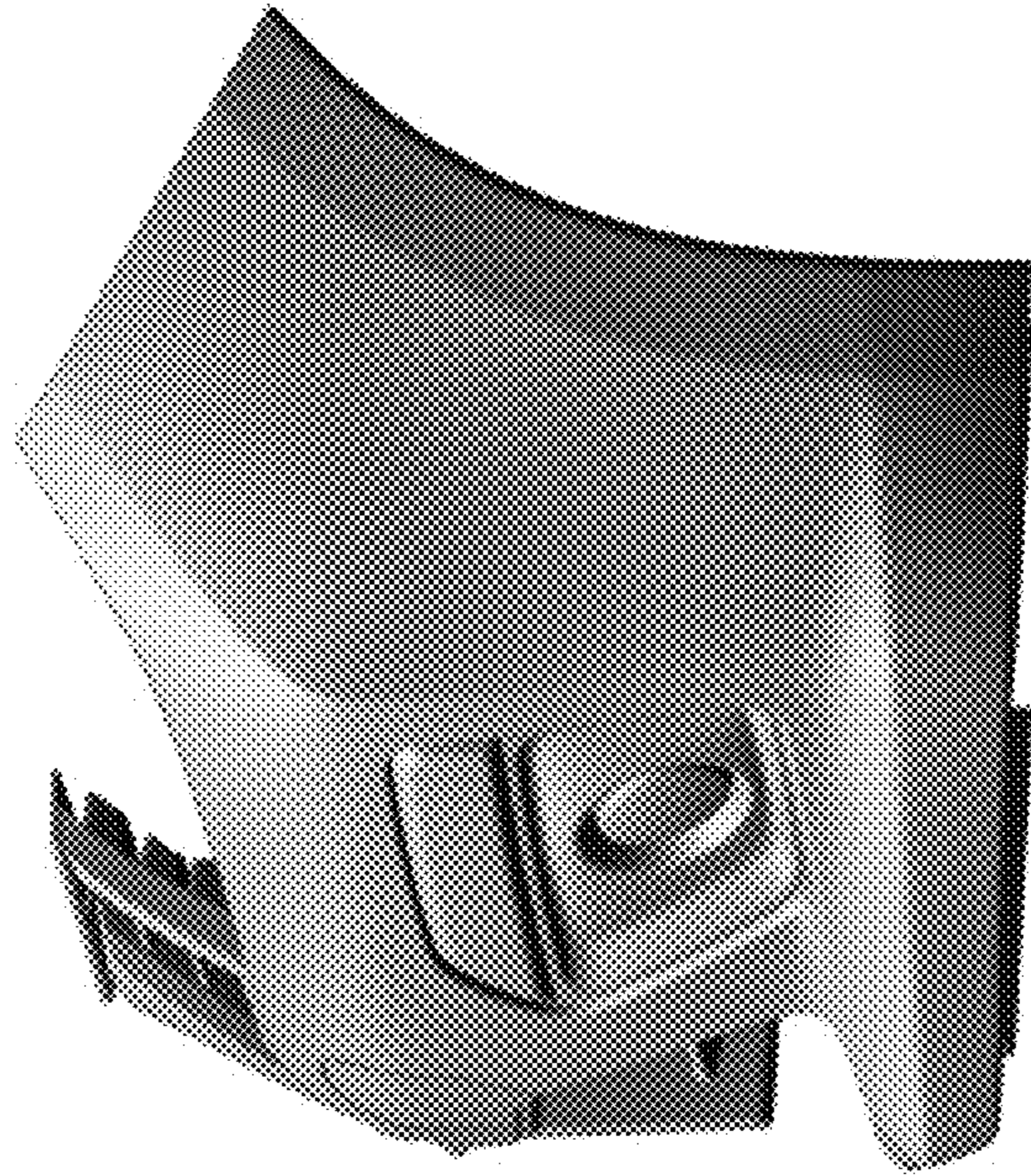


FIG. 5

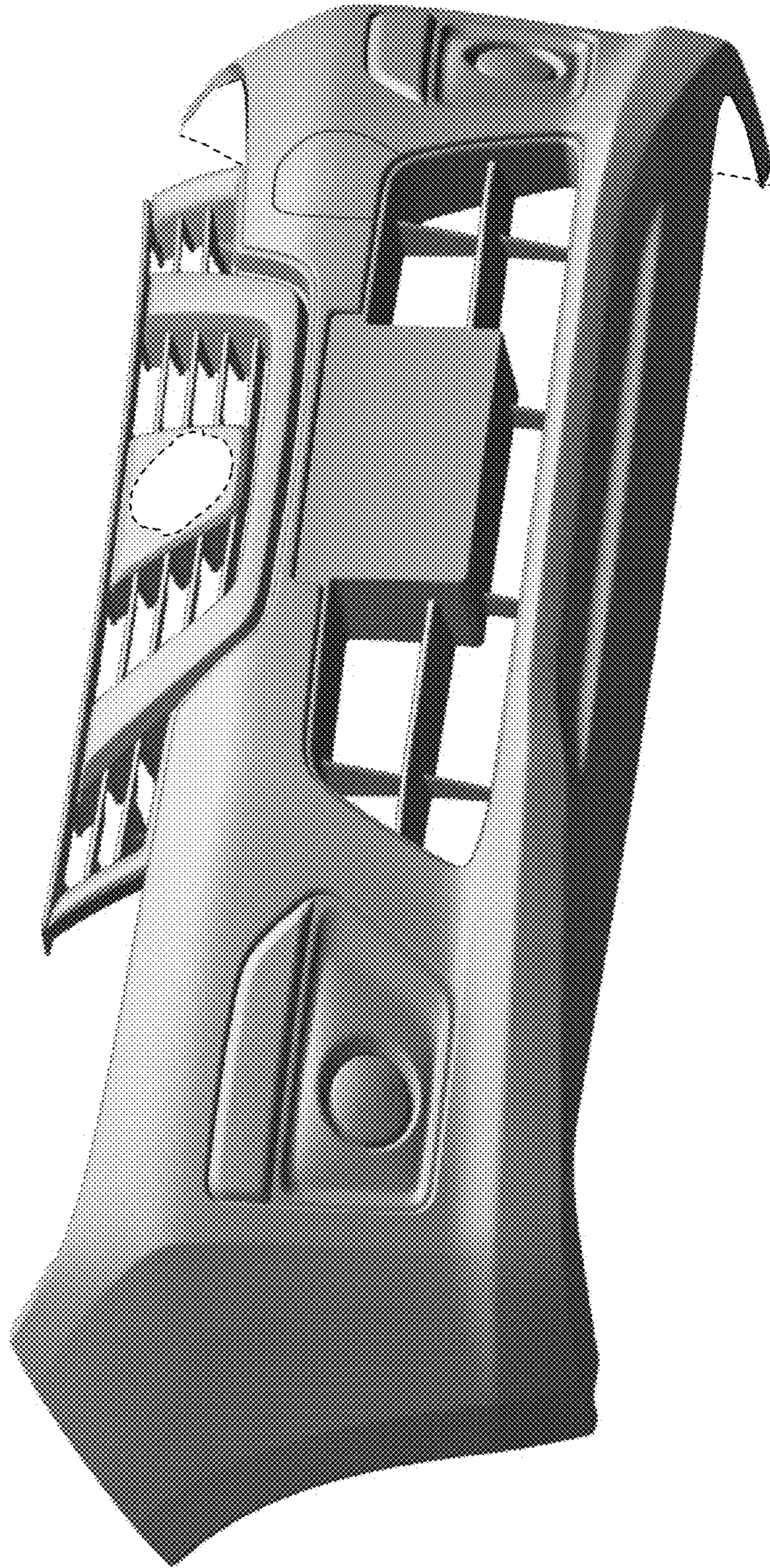


FIG. 6

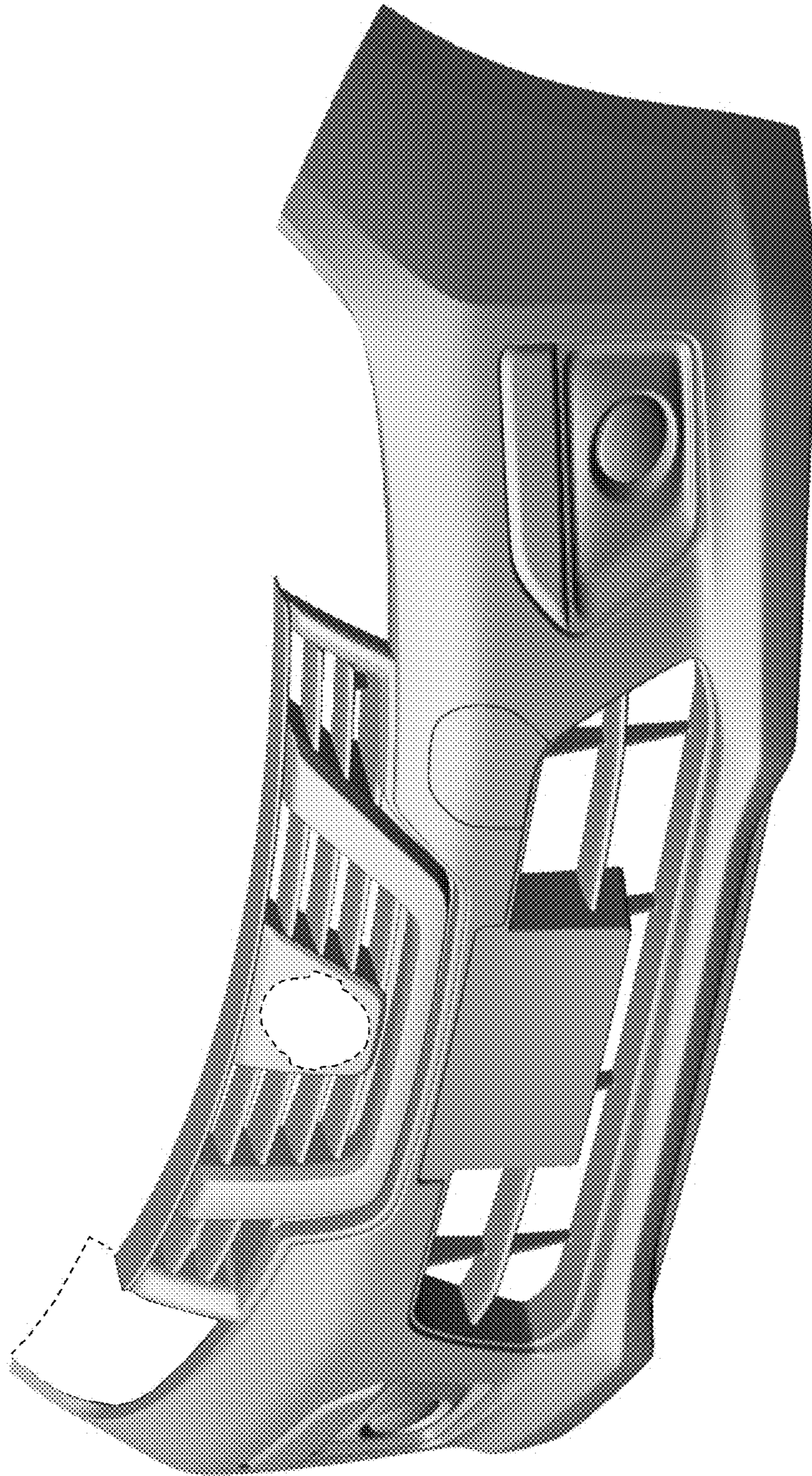


FIG. 7