



US00D826107S

(12) **United States Design Patent**
DiCanzio

(10) **Patent No.:** **US D826,107 S**

(45) **Date of Patent:** **** Aug. 21, 2018**

- (54) **VEHICLE GRILLE**
- (71) Applicant: **Turn 5, Inc.**, Malvern, PA (US)
- (72) Inventor: **Michael DiCanzio**, West Chester, PA (US)
- (73) Assignee: **Turn 5, Inc.**, Paoli, PA (US)
- (**) Term: **15 Years**
- (21) Appl. No.: **29/617,361**
- (22) Filed: **Sep. 13, 2017**
- (51) **LOC (11) Cl.** **12-16**
- (52) **U.S. Cl.**
USPC **D12/163**
- (58) **Field of Classification Search**
USPC D12/169, 216, 90-92, 86, 171, 196, 163;
293/193.11; 296/180.1, 180.2; 180/68.1,
180/68.6
CPC B62D 25/08; B62B 9/16; B60K 11/08;
B60R 19/52
See application file for complete search history.

- D577,892 S * 10/2008 St-Louis D2/969
- D731,922 S * 6/2015 Beaven D12/91
- D777,065 S * 1/2017 Patel D12/163
- D807,797 S * 1/2018 Peat D12/163
- D810,626 S * 2/2018 Macey D12/91
- D811,270 S * 2/2018 Zhang D12/91
- D814,354 S * 4/2018 Fisker D12/91

* cited by examiner

Primary Examiner — Melody N Brown

(74) *Attorney, Agent, or Firm* — Schott, P.C.

(57) **CLAIM**

The ornamental design for a vehicle grille, as shown and described.

DESCRIPTION

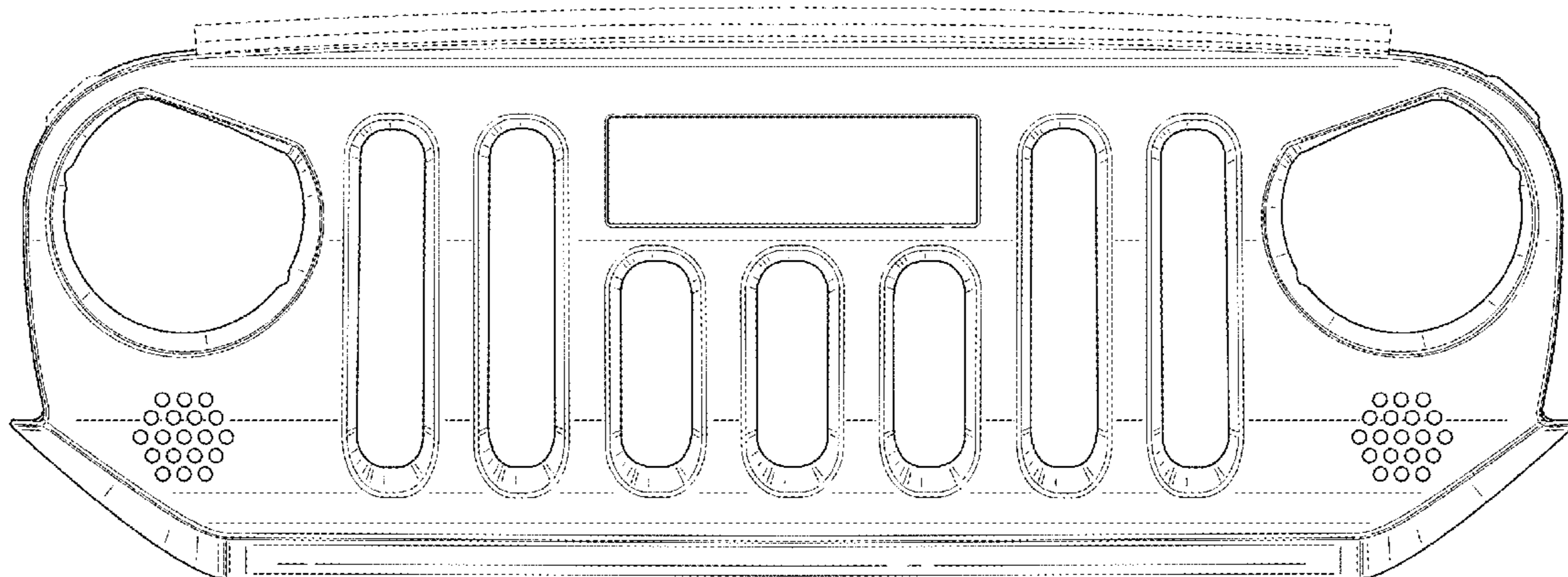
FIG. 1 is a front and side perspective view of a vehicle grille showing my new design;
 FIG. 2 is a front and opposite side perspective view thereof;
 FIG. 3 is a front elevational view thereof;
 FIG. 4 is a rear elevational view thereof;
 FIG. 5 is a top plan view thereof;
 FIG. 6 is a bottom plan view thereof;
 FIG. 7 is a side elevation view thereof;
 FIG. 8 is an opposite side elevational view thereof; and,
 FIG. 9 is a front perspective view thereof, on a reduce scale. The vehicle shown in broken lines in FIG. 9 is environmental structure that forms no part of the claimed design.

1 Claim, 7 Drawing Sheets

(56) **References Cited**

U.S. PATENT DOCUMENTS

- D497,572 S * 10/2004 Widmann D12/91
- D507,766 S * 7/2005 McMahan D12/91
- D534,097 S * 12/2006 Renkert D12/91
- D534,458 S * 1/2007 Renkert D12/91
- D554,563 S * 11/2007 Moushegian D12/91



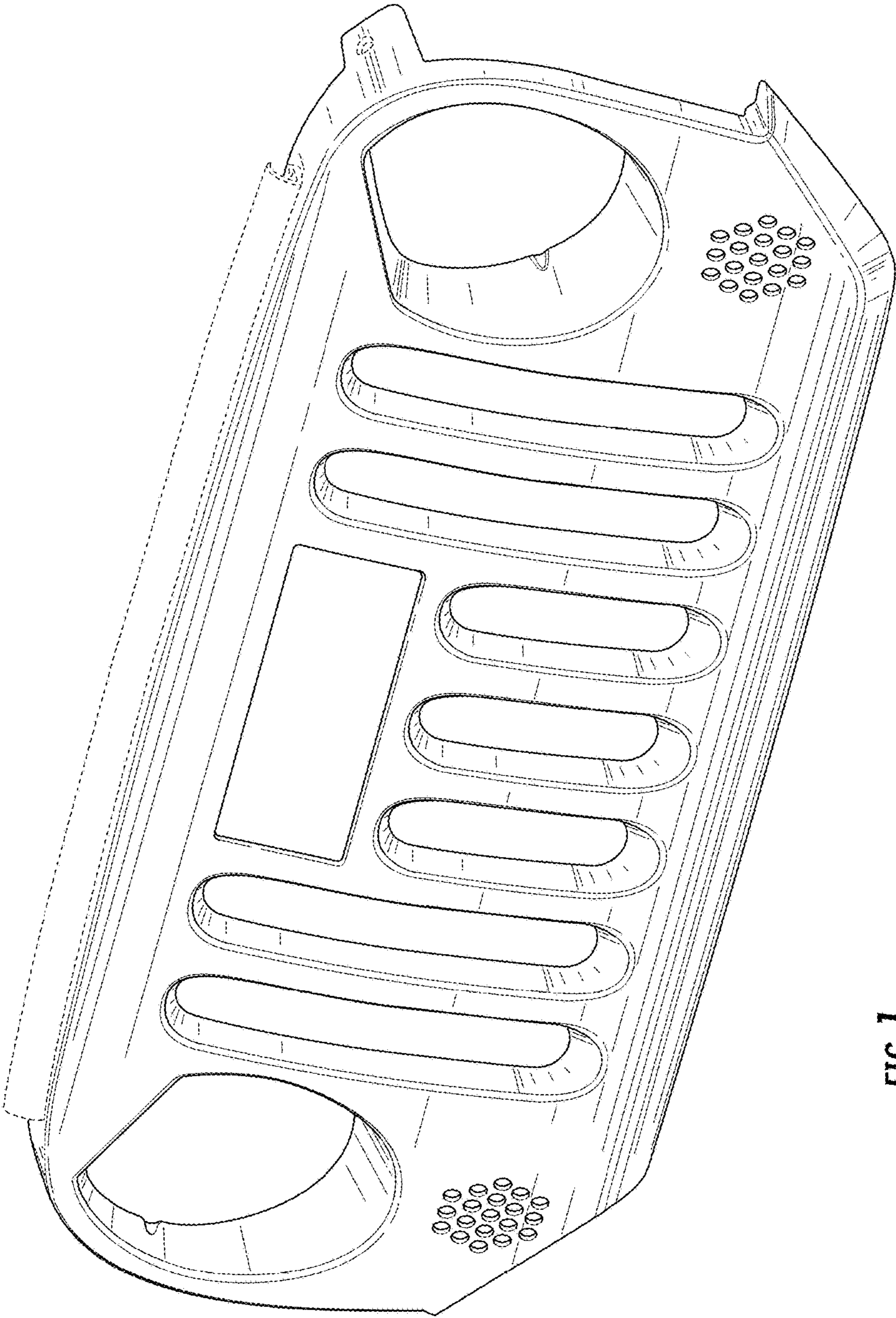


FIG. 1

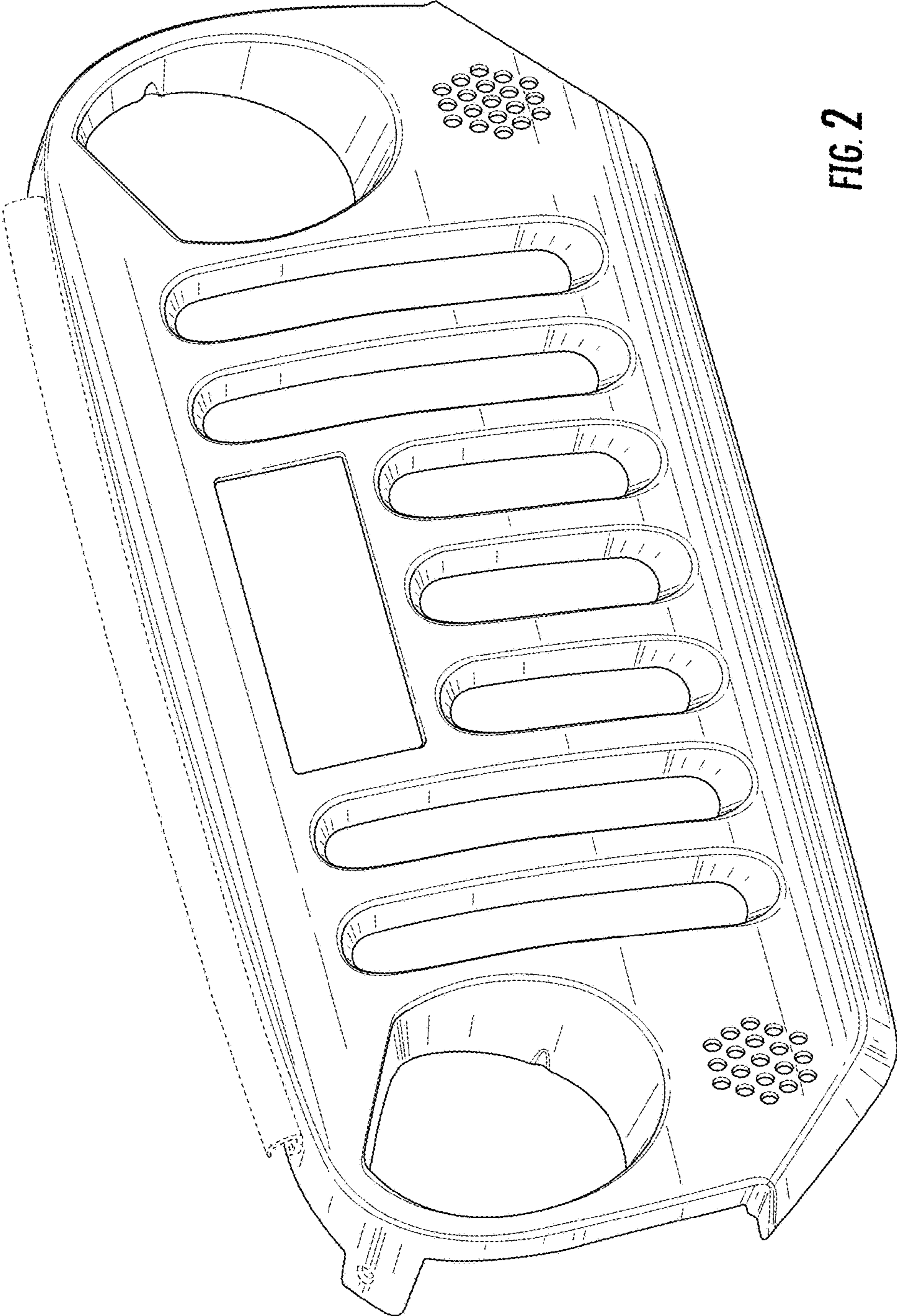


FIG. 2

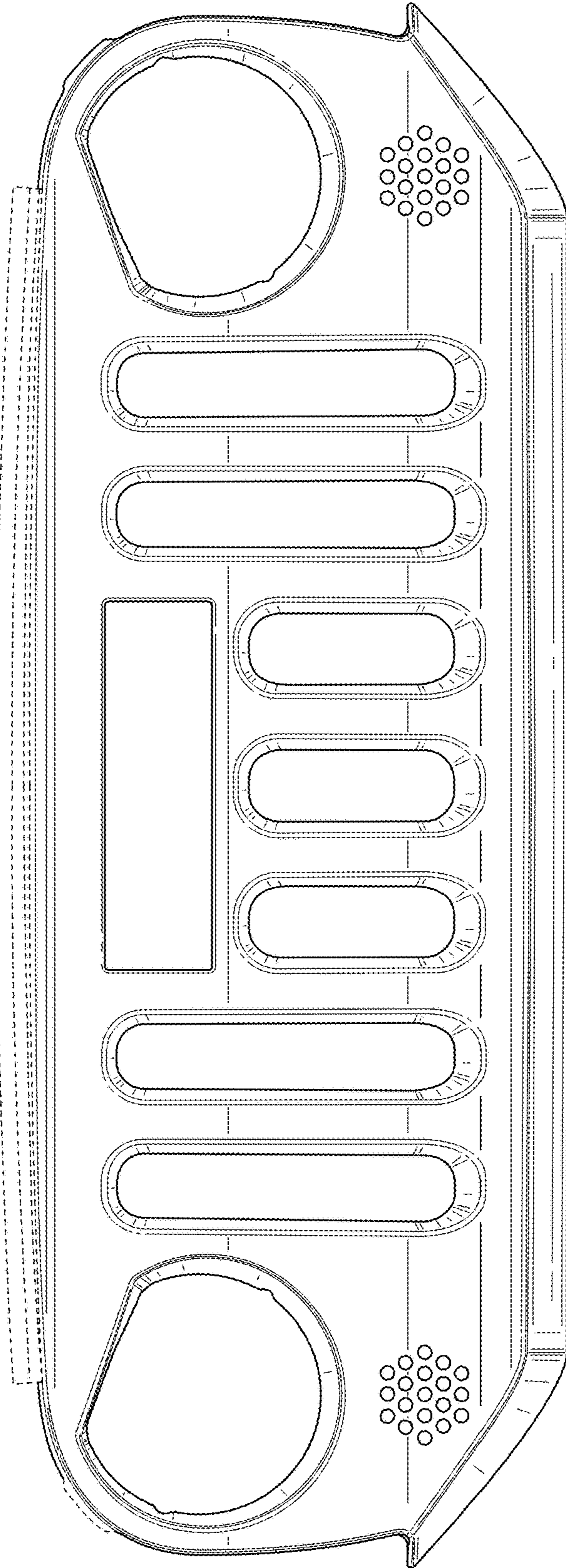


FIG. 3

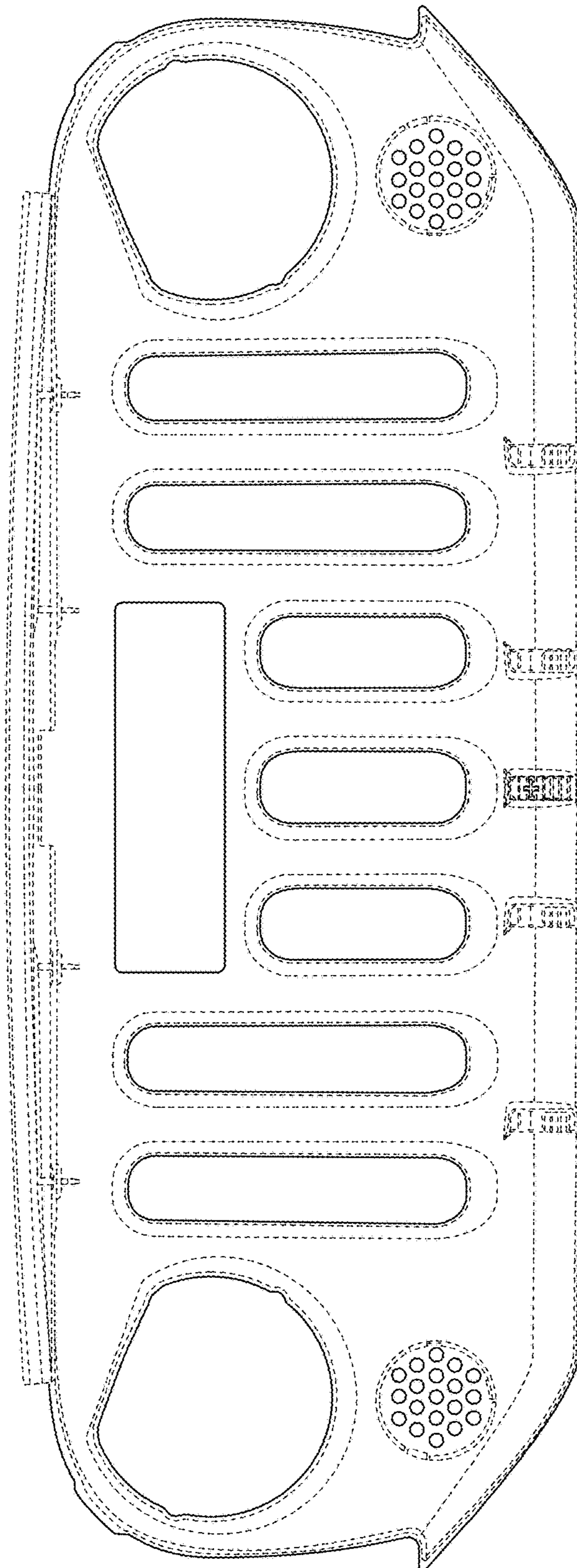


FIG. 4

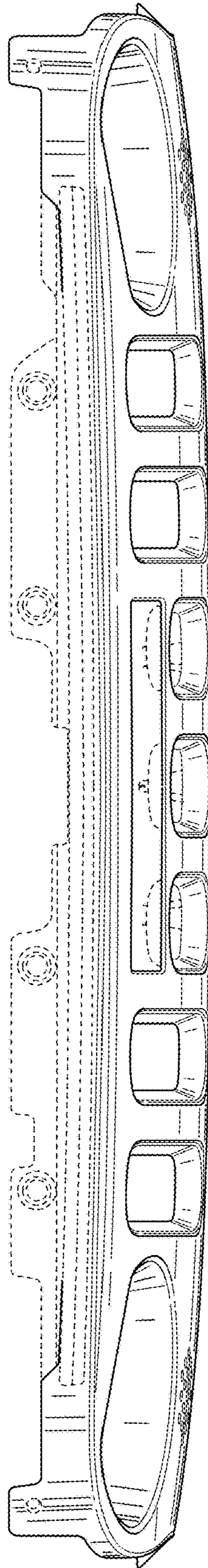


FIG. 5

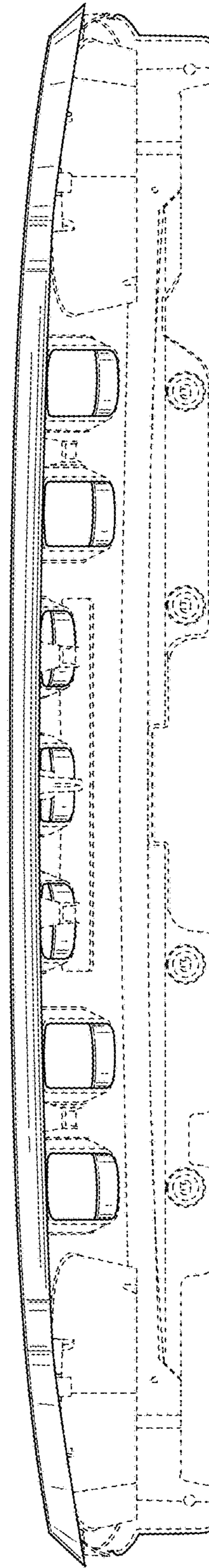


FIG. 6

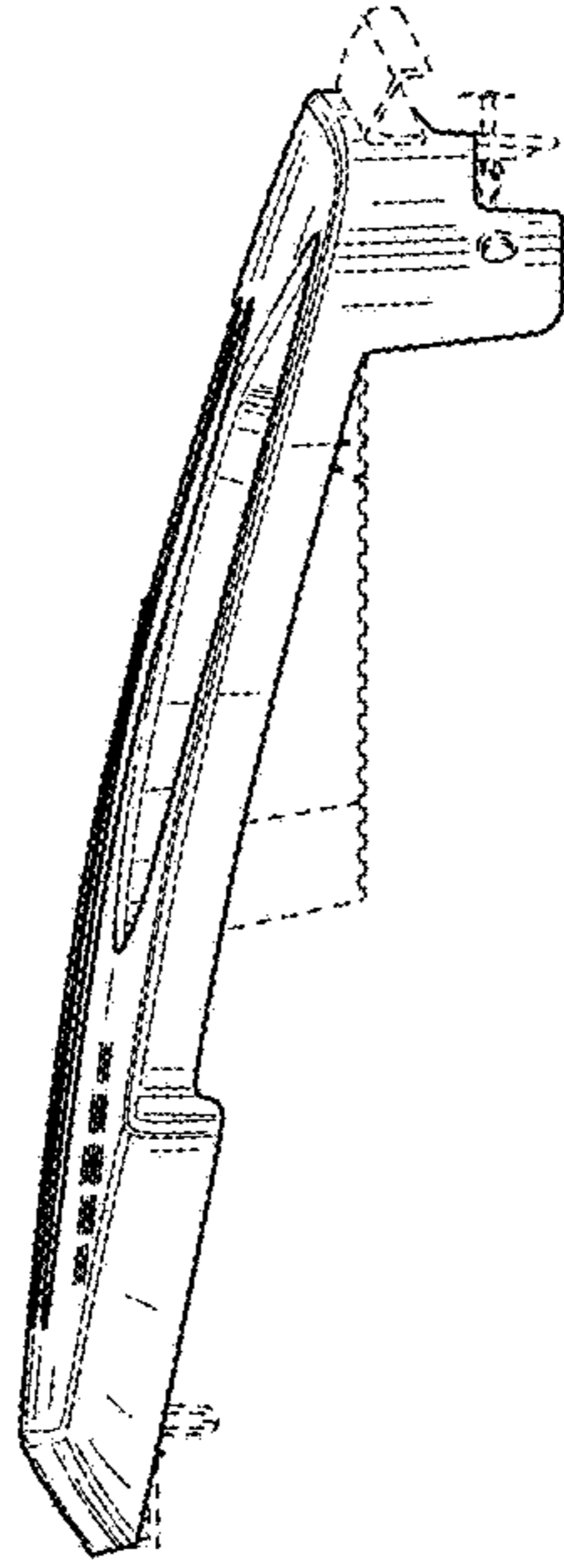


FIG. 7

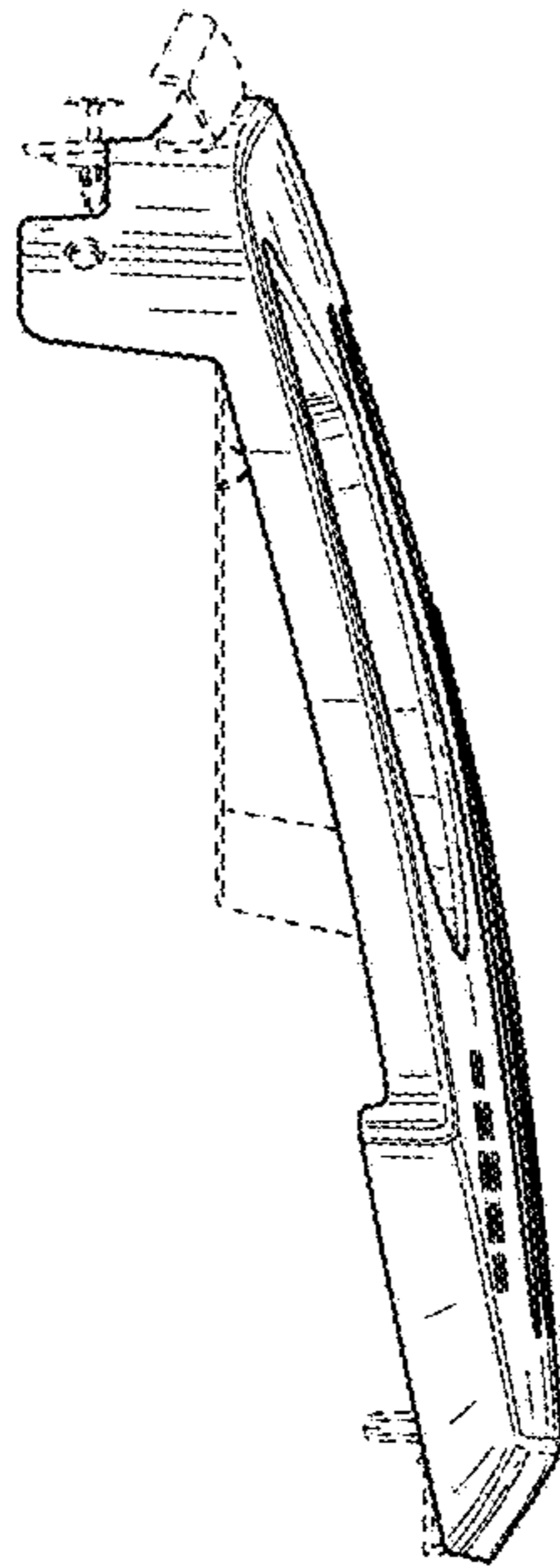


FIG. 8

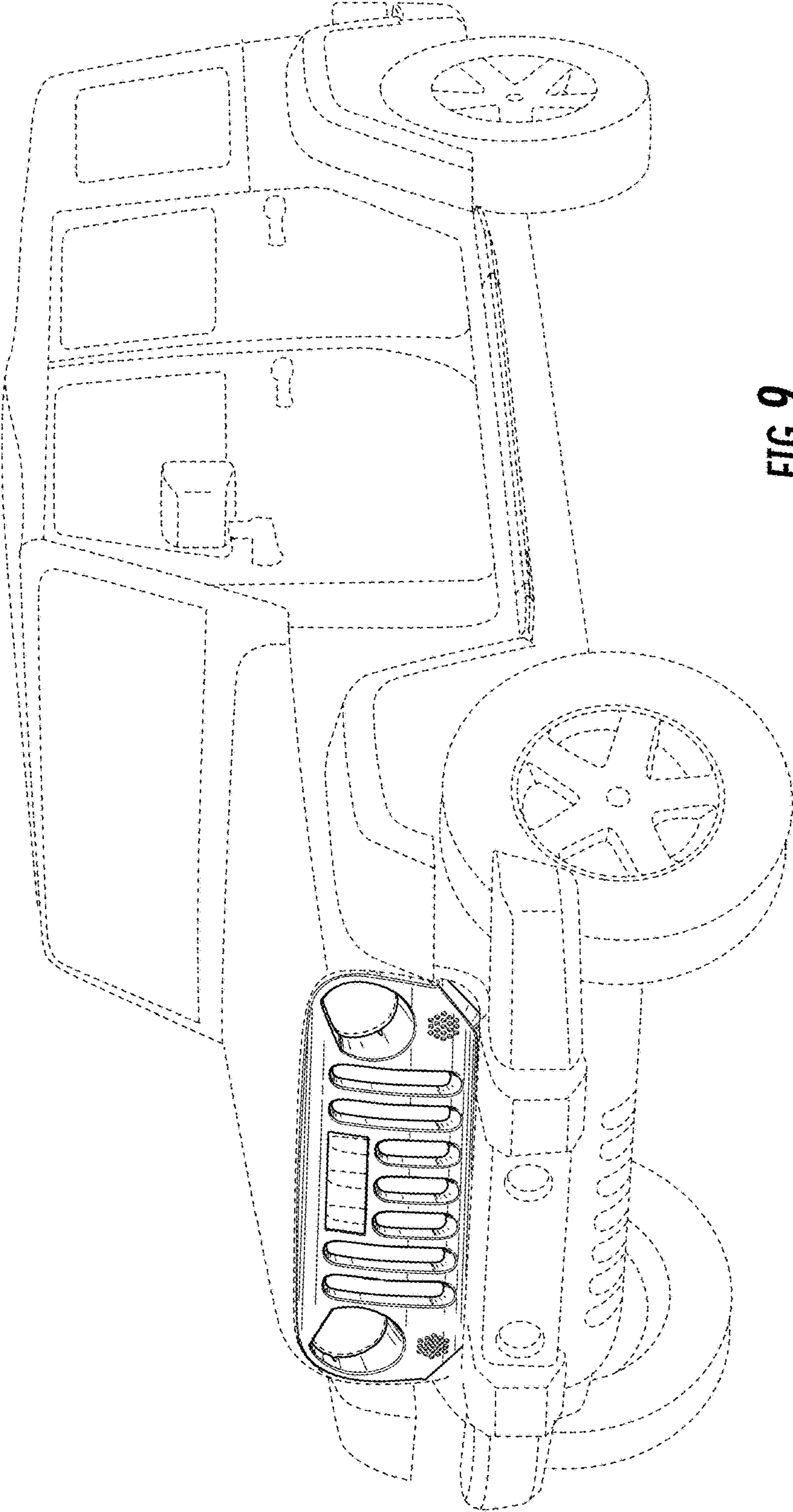


FIG. 9