



US00D826106S

(12) **United States Design Patent** (10) **Patent No.:** **US D826,106 S**  
**Kahn** (45) **Date of Patent:** **\*\* Aug. 21, 2018**

(54) **AUTOMOBILE GRILLE, TOY REPLICAS, AND/OR OTHER REPLICAS**

5,478,127 A 12/1995 Chase  
5,482,336 A 1/1996 Rouse et al.  
5,503,444 A 4/1996 Rouse et al.  
D395,027 S 6/1998 Wittine  
5,880,394 A 3/1999 Kim  
D415,081 S 10/1999 Wittine  
D431,505 S 10/2000 Kitamura et al.

(71) Applicant: **Aston Martin Lagonda Limited**,  
Warwickshire (GB)

(72) Inventor: **Afzal Kahn**, Warwickshire (GB)

(73) Assignee: **Aston Martin Lagonda Limited** (GB)

(\*\*) Term: **15 Years**

(21) Appl. No.: **29/542,940**

(22) Filed: **Oct. 19, 2015**

(30) **Foreign Application Priority Data**

Apr. 30, 2015 (EM) ..... 002693309-0001  
Apr. 30, 2015 (EM) ..... 002693309-0002  
Apr. 30, 2015 (EM) ..... 002693309-0003  
Apr. 30, 2015 (EM) ..... 002693309-0005  
Apr. 30, 2015 (EM) ..... 002693309-0006

(51) **LOC (11) Cl.** ..... **12-16**

(52) **U.S. Cl.**  
USPC ..... **D12/163**

(58) **Field of Classification Search**  
USPC .... D12/163, 216, 90-92, 86, 171, 196, 169;  
293/193.11; 180/68.1, 68.6  
CPC ..... B60R 19/52; B60K 11/08; B62D 25/08;  
B62B 9/16  
See application file for complete search history.

(56) **References Cited**

**U.S. PATENT DOCUMENTS**

4,917,203 A 4/1990 Sacco et al.  
4,944,540 A 7/1990 Mansoor et al.  
D334,977 S 4/1993 Avari  
5,205,597 A 4/1993 Chase  
RE34,907 E 4/1995 Gross  
5,403,048 A 4/1995 Ekladyous et al.

**FOREIGN PATENT DOCUMENTS**

DE 2727517 A1 12/1978  
DE 4321969 A1 2/1994

(Continued)

**OTHER PUBLICATIONS**

U.S. Appl. No. 29/573,909, filed Aug. 10, 2016, Cooper.  
(Continued)

*Primary Examiner* — Melody N Brown  
(74) *Attorney, Agent, or Firm* — Dorsey & Whitney LLP

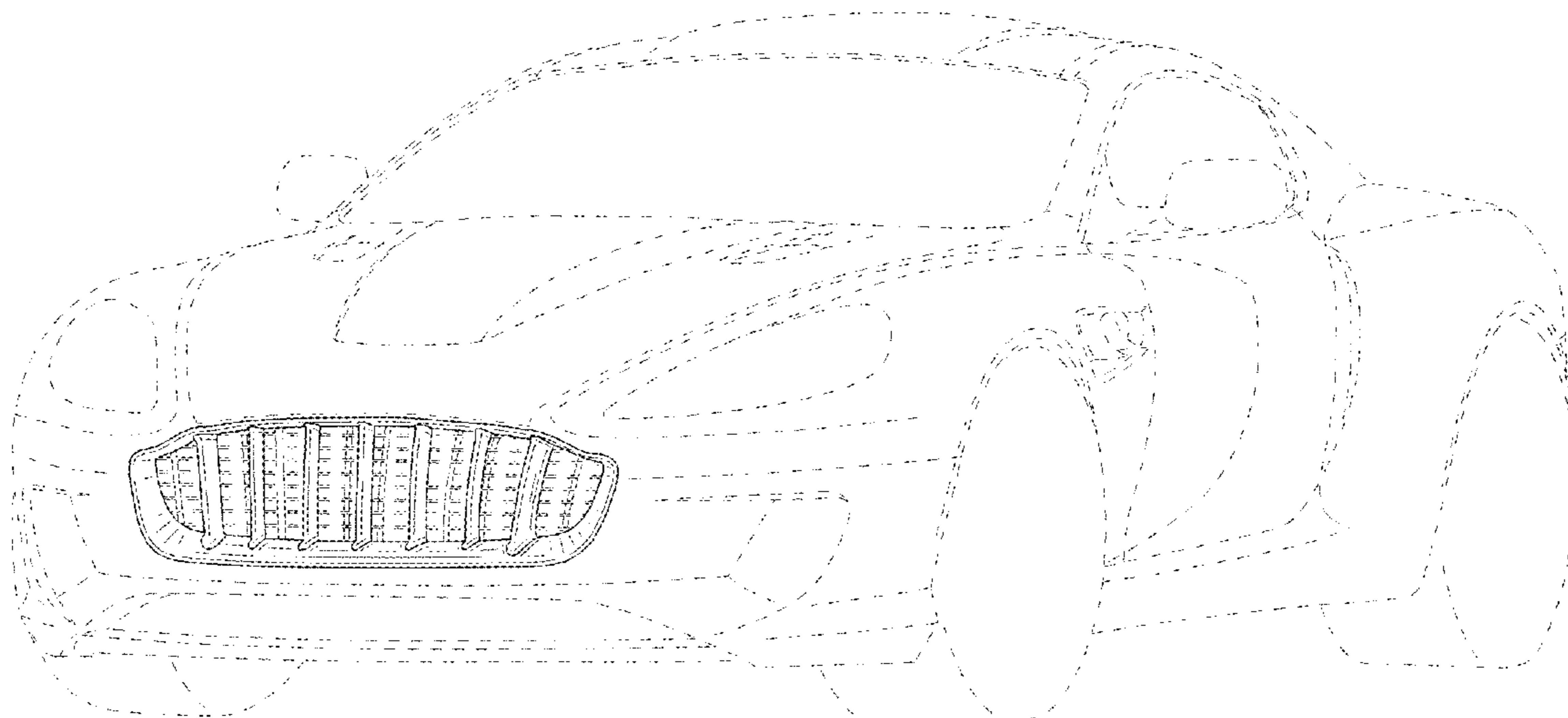
(57) **CLAIM**

The ornamental design for an automobile grille, toy replicas, and/or other replicas, as shown and described.

**DESCRIPTION**

FIG. 1 is a front perspective view of an automobile grille, toy replicas, and/or other replicas showing my new design; FIG. 2 is a right side elevation view thereof, the left side elevation view being a mirror image of the right side elevation view; FIG. 3 is an enlarged front elevation view thereof; FIG. 4 is an enlarged front and right side perspective view thereof; and, FIG. 5 is an enlarged front and left side perspective view thereof.  
The broken lines illustrate environmental structure that forms no part of the claimed design.

**1 Claim, 5 Drawing Sheets**



(56)

References Cited

U.S. PATENT DOCUMENTS

6,206,438 B1 3/2001 Pueyo  
 D447,983 S 9/2001 Stoddard et al.  
 D456,313 S 4/2002 Walling et al.  
 6,405,819 B1 6/2002 Ohkura et al.  
 D475,662 S 6/2003 Koizumi et al.  
 6,702,343 B1 3/2004 Stull  
 6,921,117 B2 7/2005 Rackham et al.  
 D510,302 S 10/2005 Sugimoto  
 D553,544 S 10/2007 Rothman et al.  
 D557,184 S 12/2007 Janik  
 D557,641 S 12/2007 Davidson  
 D570,259 S 6/2008 Choi  
 D573,510 S 7/2008 Pininfarina  
 D580,309 S 11/2008 Walter et al.  
 D584,198 S 1/2009 Tamura  
 D584,998 S 1/2009 Lamm et al.  
 D585,340 S 1/2009 Sinkwitz  
 D589,405 S 3/2009 Corradi  
 D589,853 S 4/2009 Saridakis et al.  
 D592,564 S 5/2009 Kusamoto et al.  
 D603,755 S 11/2009 Peters  
 D620,396 S 7/2010 Reichman et al.  
 D626,465 S 11/2010 Thomas et al.  
 D626,466 S 11/2010 Reichman et al.  
 D628,942 S 12/2010 Kim  
 D629,718 S 12/2010 Reichman et al.  
 D629,719 S 12/2010 Reichman et al.  
 D629,725 S 12/2010 Reichman et al.  
 D630,140 S 1/2011 Reichman et al.  
 D635,065 S 3/2011 Seo  
 D636,302 S 4/2011 Kido et al.  
 D651,142 S 12/2011 Fushimi  
 D659,600 S 5/2012 Oya et al.  
 D664,475 S 7/2012 Takahashi  
 D665,313 S 8/2012 Asakura  
 D665,316 S 8/2012 Asakura  
 D668,590 S 10/2012 Furst et al.  
 D670,203 S 11/2012 Weil  
 D670,620 S 11/2012 Frei et al.  
 D670,640 S 11/2012 Reichman et al.  
 D671,457 S 11/2012 Goto et al.  
 D672,290 S 12/2012 Lamm  
 D687,348 S 8/2013 Nurnberger  
 D689,812 S 9/2013 Reichman et al.  
 D691,517 S 10/2013 Kwon et al.  
 D692,348 S 10/2013 Whelan  
 D692,350 S 10/2013 Toriyama et al.  
 D692,800 S 11/2013 Wiltshire  
 D696,978 S 1/2014 Perini  
 D698,706 S 2/2014 Tada  
 D701,147 S 3/2014 Saracoglu  
 D704,101 S 5/2014 Beaven  
 D704,102 S 5/2014 Nurnberger  
 D704,601 S 5/2014 Nurnberger  
 D705,137 S 5/2014 Kawasaki  
 D721,020 S 1/2015 Hanaoka  
 D726,079 S 4/2015 Reichman et al.  
 D727,804 S 4/2015 Nurnberger  
 D730,777 S 6/2015 Nurnberger  
 D737,736 S 9/2015 Iwai  
 D739,789 S 9/2015 Payne  
 D740,725 S 10/2015 Payne  
 D742,281 S 11/2015 Ishii et al.  
 D758,247 S 6/2016 Nurnberger et al.  
 D766,474 S 9/2016 Holgate et al.  
 D772,128 S 11/2016 Platt  
 D774,950 S 12/2016 Holgate et al.  
 D774,995 S 12/2016 Holgate et al.  
 D775,555 S \* 1/2017 Myrberg ..... D12/163  
 D777,070 S 1/2017 Nurnberger  
 D778,790 S 2/2017 Nurnberger  
 D780,632 S 3/2017 Nurnberger  
 D780,633 S 3/2017 Payne et al.  
 D780,634 S 3/2017 Segui et al.  
 D780,636 S 3/2017 Kahn

D785,525 S 5/2017 Nurnberger  
 D786,155 S 5/2017 Holgate et al.  
 D786,744 S 5/2017 Nurnberger et al.  
 D796,404 S 9/2017 Nurnberger  
 D800,619 S 10/2017 Platt  
 D801,558 S 10/2017 Nurnberger et al.  
 2005/0248184 A1 11/2005 Piffaretti

FOREIGN PATENT DOCUMENTS

EM 000212923-0001 A1 10/2004  
 EM 000212923-0002 A1 10/2004  
 EM 001067839-0001 1/2009  
 EM 001650052-0001 12/2009  
 EM 001674631-0001 2/2010  
 EM 001674631-0002 2/2010  
 EM 001674631-0003 2/2010  
 EM 001674631-0005 2/2010  
 EM 001999848-0001 2/2012  
 EM 001999848-0003 2/2012  
 EM 002033621-0001 4/2012  
 EM 002033621-0003 4/2012  
 EM 002033621-0005 4/2012  
 EM 002033621-0006 4/2012  
 EM 002047977-0002 5/2012  
 EM 002171488-0001 1/2013  
 EP 896892 A1 2/1999  
 EP 906863 A2 4/1999  
 EP 2476603 A2 7/2012  
 GB 2327912 A 2/1999  
 GB 3013456 7/2003  
 GB 2396881 A 7/2004  
 GB 3024223 4/2006  
 JP D1400694 10/2010  
 JP D1444677 5/2012  
 WO 02/12028 2/2002

OTHER PUBLICATIONS

U.S. Appl. No. 29/582,156, filed Oct. 25, 2016, Earley.  
 U.S. Appl. No. 29/582,165, filed Oct. 25, 2016, Earley.  
 U.S. Appl. No. 29/582,167, filed Oct. 25, 2016, Earley.  
 U.S. Appl. No. 29/582,170, filed Oct. 25, 2016, Earley.  
 U.S. Appl. No. 29/582,592, filed Oct. 28, 2016, Reichman et al.  
 U.S. Appl. No. 29/583,268, filed Nov. 3, 2016, Nurnberger et al.  
 U.S. Appl. No. 29/583,272, filed Nov. 3, 2016, Nurnberger et al.  
 U.S. Appl. No. 29/583,278, filed Nov. 3, 2016, Nurnberger et al.  
 U.S. Appl. No. 29/584,625, filed Nov. 16, 2016, Nurnberger et al.  
 U.S. Appl. No. 29/584,629, filed Nov. 16, 2016, Nurnberger et al.  
 U.S. Appl. No. 29/589,582, filed Jan. 3, 2017, Nurnberger et al.  
 U.S. Appl. No. 29/589,583, filed Jan. 3, 2017, Nurnberger et al.  
 U.S. Appl. No. 29/589,586, filed Jan. 3, 2017, Nurnberger et al.  
 U.S. Appl. No. 29/589,618, filed Jan. 3, 2017, Nurnberger et al.  
 U.S. Appl. No. 29/589,621, filed Jan. 3, 2017, Nurnberger et al.  
 U.S. Appl. No. 29/595,005, filed Feb. 24, 2017, Nurnberger et al.  
 U.S. Appl. No. 29/604,102, filed May 15, 2017, Nurnberger et al.  
 U.S. Appl. No. 29/616,003, filed Sep. 1, 2017, Re et al.  
 U.S. Appl. No. 29/616,006, filed Sep. 1, 2017, Re et al.  
 U.S. Appl. No. 29/616,008, filed Sep. 1, 2017, Re et al.  
 U.S. Appl. No. 29/616,010, filed Sep. 1, 2017, Re et al.  
 U.S. Appl. No. 29/616,014, filed Sep. 1, 2017, Re et al.  
 U.S. Appl. No. 29/621,813, filed Oct. 11, 2017, Nurnberger et al.  
 U.S. Appl. No. 29/621,815, filed Oct. 11, 2017, Nurnberger et al.  
 U.S. Appl. No. 29/626,411, filed Nov. 16, 2017, Nurnberger et al.  
 U.S. Appl. No. 29/626,415, filed Nov. 16, 2017, Nurnberger et al.  
 U.S. Appl. No. 29/626,419, filed Nov. 16, 2017, Hill et al.  
 U.S. Appl. No. 29/626,801, filed Nov. 20, 2017, Hill et al.  
 U.S. Appl. No. 29/631,883, filed Jan. 3, 2018, Hill et al.  
 U.S. Appl. No. 29/631,887, filed Jan. 3, 2018, Hill et al.  
 Aston Martin 2013, "Aston Martin Centenary Celebration Programme," 2013; 204 pages.  
 1976 and 1987 Aston Martin Lagonda, [online], [site visited Jul. 24, 2014], Available from Internet, <URL: <http://www.astonmartin.com/heritage/past-models/lagonda>>, 2 pages.

(56)

**References Cited**

## OTHER PUBLICATIONS

“2009 Aston Martin Vantage 2-door Coupe Man Grille”. Found online Mar. 21, 2016 at motorauthority.com. Page dated c. 2009. Retrieved from [http://www.motorauthority.com/image/100236184\\_2009-aston-martin-vantage-2-door-coupe-man-grille](http://www.motorauthority.com/image/100236184_2009-aston-martin-vantage-2-door-coupe-man-grille).

“Aston Martin Sedan/Lagonda Spy Photos”. Found online Mar. 21, 2016 at forums.nasioc.com. Page dated May 9, 2014. Retrieved from <http://forums.nasioc.com/forums/showthread.php?t=2628222>.

“Car Wheels Design”, Online Blog dated Oct. 13, 2011 (Retrieved from the Internet Jan. 20, 2016), Available at <http://wheelsdesigns.blogspot.com/2011/10/aston-martin-wheels.html>.

“eAutoZine: Aston Martin Lagonda Returns in Summer 2014”. Found online Mar. 21, 2016 at eautozine.com. Page dated Jun. 22, 2014. Retrieved from <http://www.eautozine.com/page/4/>.

Aston Martin, “Vulcan”, <http://www.astonmartin.com/vulcan> [Retrieved from the Internet on Oct. 21, 2016], 2 Pages.

YouTube, “First Look: Aston Martin Vulcan—Geneva 2015”, <https://www.youtube.com/watch?v=weY6qeOJIBe>, Published Mar. 5, 2015, 2 Pages.

“Extremely Striking ‘Bespoke’ Aston Martin Super-Saloon Spied”. Found online Mar. 21, 2016 at forums.vwvortex.com. Page dated May 8, 2014., Retrieved from <http://forums.vwvortex.com/showthread.php?6969673-Extremely-striking-quot-Bespoke-quot-Aston-Martin-super-saloon-spied-Built-by-0-by-Aston-Martin-will-be-very-limited-run-could-be-badged-Lagonda>.

Aston Martin IDBS Brochure; Website[online]: <http://www.auto-brochures.com>, Jan. 27, 2012 [retrieved on Oct. 22, 2013]. Retrieved from the internet: <URL: [http://www.auto-brochures.com/makes/Aston\\_Martin/dbs/Aston%20Martin\\_int%20DBS\\_1.pdf](http://www.auto-brochures.com/makes/Aston_Martin/dbs/Aston%20Martin_int%20DBS_1.pdf)>; 62 pages.

Aston Martin DB9 Brochure; Website[online]: <http://www.auto-brochures.com>, Jan. 27, 2012 [retrieved on Oct. 22, 2013]. Retrieved from the internet: <URL: [http://www.auto-brochures.com/makes/Aston\\_Martin/db9/Aston%20Martin\\_int%20DB9\\_1.pdf](http://www.auto-brochures.com/makes/Aston_Martin/db9/Aston%20Martin_int%20DB9_1.pdf)>; 41 pages.

2008 Aston Martin DB9 Grill & Front View Photo. Website[online]: <http://www.motortrend.com>, Jun. 12, 2008 [retrieved on Oct. 22, 2013]. Retrieved from the internet: <URL: [http://www.motortrend.com/cars/2008/aston\\_martin/db9/photos/exterior/grill\\_front\\_view.html](http://www.motortrend.com/cars/2008/aston_martin/db9/photos/exterior/grill_front_view.html)>; 1 page.

European Patent Office; PCT International Search Report dated Nov. 21, 2001; PCT/GB01/03563; 3 pages.

European Patent Office; PCT International Preliminary Examination Report dated Dec. 5, 2002; PCT/GB01/03563; 11 pages.

European Patent Office; PCT Written Opinion dated Mar. 6, 2002; PCT/GB01/03563; 5 pages.

European Patent Office; PCT Written Opinion dated Aug. 21, 2002; PCT/GB01/03563; 5 pages.

2003 Aston Martin DB7 Vantage, [online], [site visited Jan. 3, 2014], Available from Internet, <URL: <http://www.conceptcarz.com/view/photo/291097,6877/2003-Aston-Martin-DB7-Vantage.aspx>>, 2 pages.

2014 Aston Martin Rapide S, announced Dec. 30, 2013, [online], [site visited Jan. 3, 2014], Available from Internet, <URL: <http://www.astonmartin.com/en-us/cars/rapide-s>>, 35 pages.

2011 Aston Martin Rapide, [online article Feb. 4, 2010, [site visited Jan. 3, 2014], Available from Internet, <URL: [http://www.roadandtrack.com/car-reviews/first-drives/photos-2011-aston-martin-rapide?click=main\\_sr#slide-1](http://www.roadandtrack.com/car-reviews/first-drives/photos-2011-aston-martin-rapide?click=main_sr#slide-1)>, 6 pages.

Vijayenthiran, Viknesh. “Aston Martin Builds and Sells Two CC100 Speedsters: Report.” Motor Authority., Jul. 26, 2013 [online], [retrieved on Sep. 5, 2014]. Retrieved from the Internet <URL: [http://www.motorauthority.com/news/1085797\\_aston-martin-builds-and-sells-two-cc100-speedsters-report](http://www.motorauthority.com/news/1085797_aston-martin-builds-and-sells-two-cc100-speedsters-report)>.

Carrion, Annette. “2014 Aston Martin Vanquish Volante Neiman Marcus . . .” European Car Web., Nov. 15, 2013 [online], [retrieved on Sep. 5, 2014]. Retrieved from the Internet <URL: [http://www.europeancarweb.com/news/1311\\_2014\\_aston\\_martin\\_vanquish\\_volante\\_neiman\\_marcus\\_edition/photo\\_06.html](http://www.europeancarweb.com/news/1311_2014_aston_martin_vanquish_volante_neiman_marcus_edition/photo_06.html)>.

“2011 Aston Martin One-77.” Electronic Brochure., Jun. 22, 2010 [online], [retrieved on Sep. 5, 2014]. Retrieved from the Internet <URL: [http://www.auto-brochures.com/makes/Aston\\_Martin/one-77/Aston%20Martin\\_int%20one-77.pdf](http://www.auto-brochures.com/makes/Aston_Martin/one-77/Aston%20Martin_int%20one-77.pdf)>.

“2012 Aston Martin Virage”, Online Review dated Mar. 21, 2012 (Retrieved from the Internet Jan. 20, 2016), Available at <http://www.autoblog.com/2012/03/21/2012-aston-martin-virage-review-road-test>.

\* cited by examiner

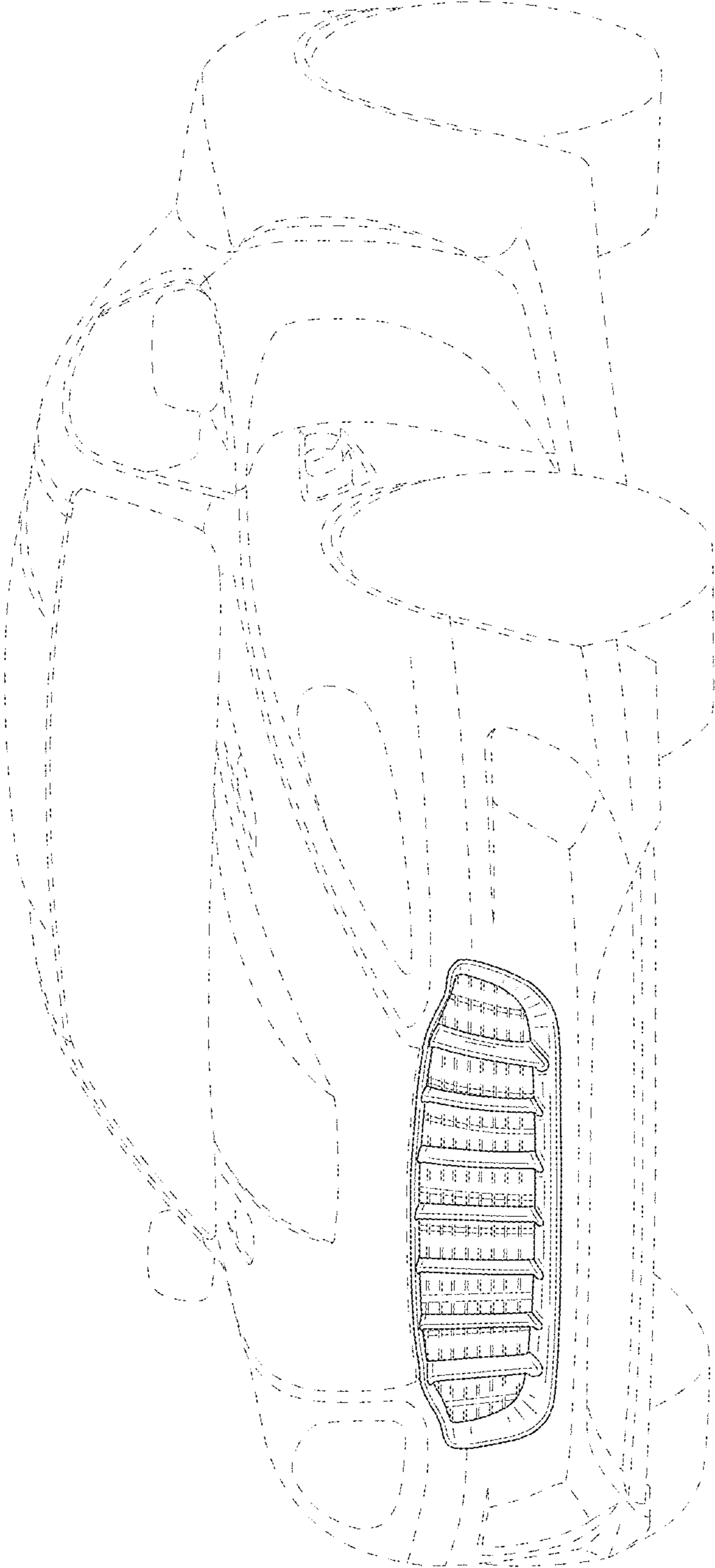


FIG. 1

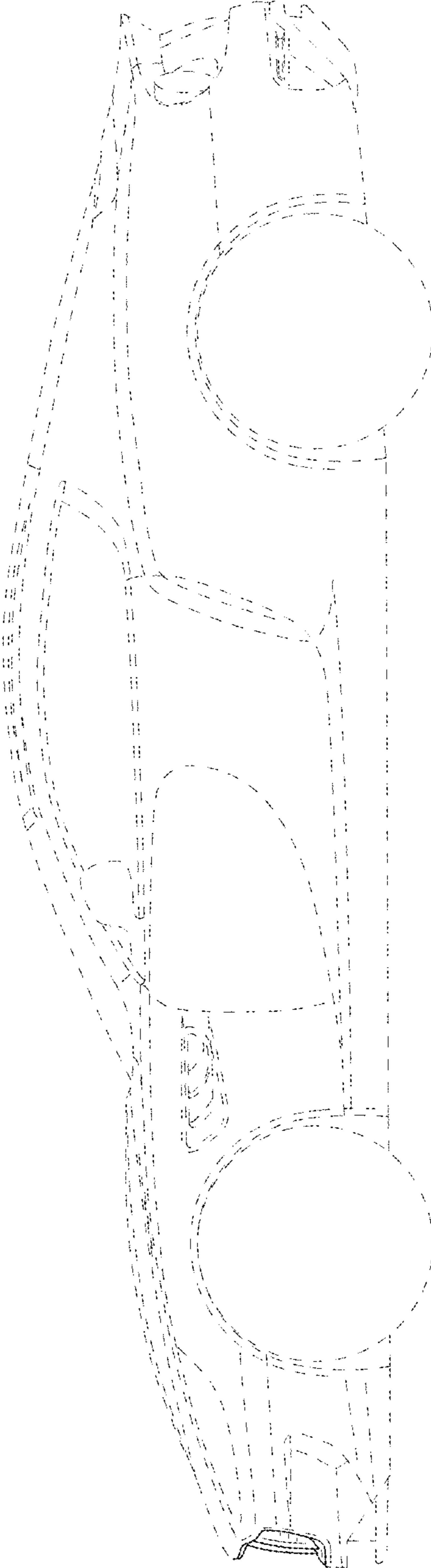


FIG. 2

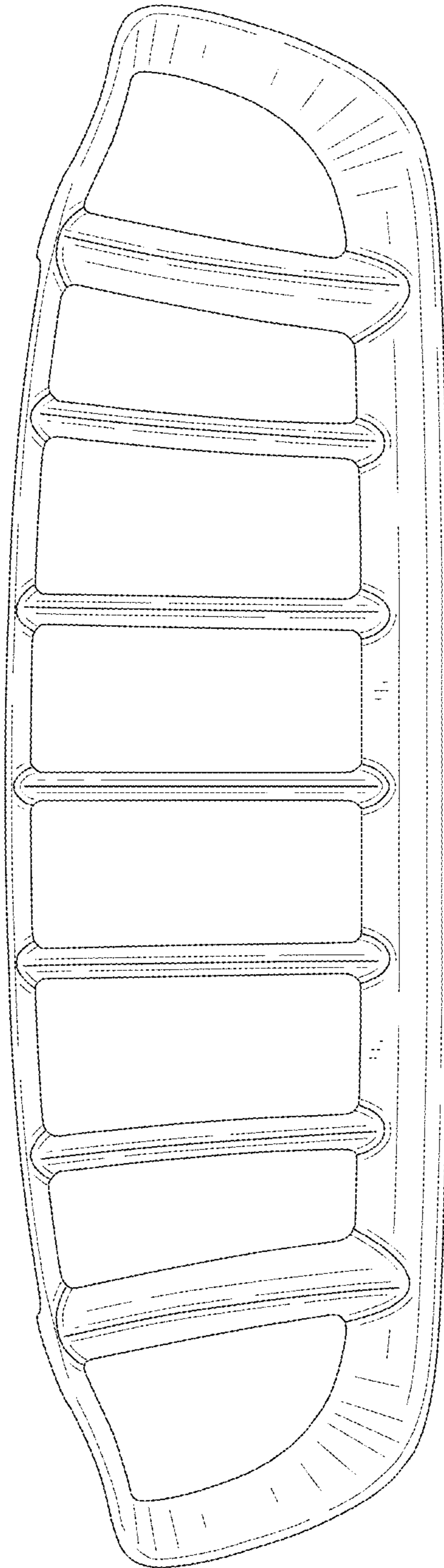


FIG. 3

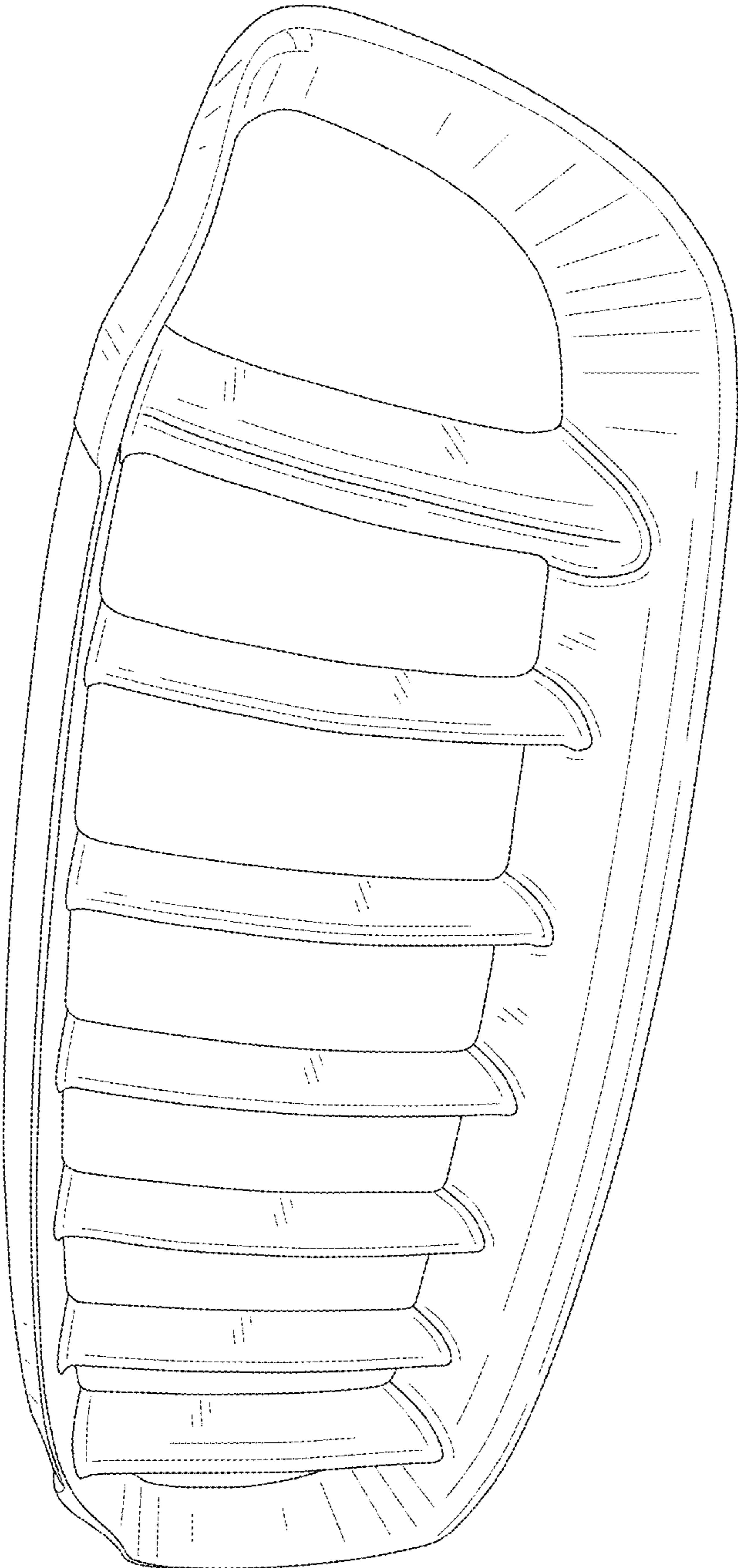


FIG. 4

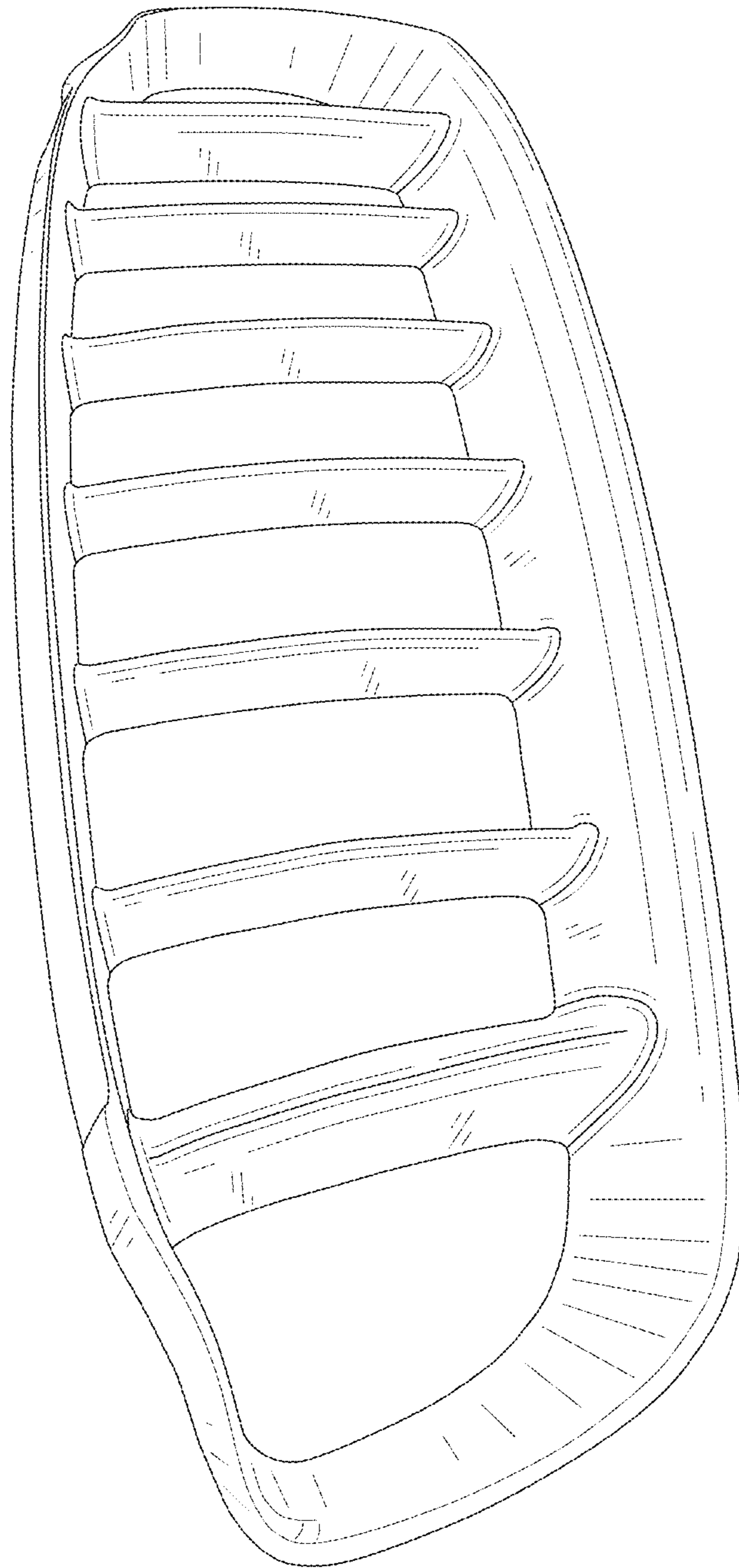


FIG. 5