



US00D826105S

(12) **United States Design Patent**  
**Chaudeurge**

(10) **Patent No.:** **US D826,105 S**  
(45) **Date of Patent:** **\*\* Aug. 21, 2018**

(54) **PLATFORM FOR PERAMBULATORS AND PUSHCHAIRS**

CPC .... B62B 7/06; B62B 9/12; B62B 9/28; B62B 7/006; B62B 7/064; B62B 7/08; B62B 9/20

(71) Applicant: **BABYZEN**, Aix-en-Provence (FR)

See application file for complete search history.

(72) Inventor: **Jean Michel François Chaudeurge**,  
Tourves (FR)

(56) **References Cited**

(73) Assignee: **BABYZEN**, Aix-en-Provence (FR)

U.S. PATENT DOCUMENTS

(\*\*) Term: **15 Years**

8,342,562 B2 \* 1/2013 Chaudeurge ..... B60B 33/0039  
280/642  
D780,073 S \* 2/2017 Tsai ..... D12/129

(21) Appl. No.: **35/502,859**

\* cited by examiner

(22) Filed: **Mar. 13, 2017**

*Primary Examiner* — Michael A. Pratt

(80) **Hague Agreement Data**

(57) **CLAIM**

Int. Filing Date: **Mar. 13, 2017**

The ornamental design for a platform for perambulators and pushchairs, as shown and described.

Int. Reg. No.: **DM/095654**

Int. Reg. Date: **Mar. 13, 2017**

Int. Reg. Pub. Date: **Apr. 28, 2017**

**DESCRIPTION**

(30) **Foreign Application Priority Data**

Sep. 13, 2016 (EM) ..... 003377753-0002

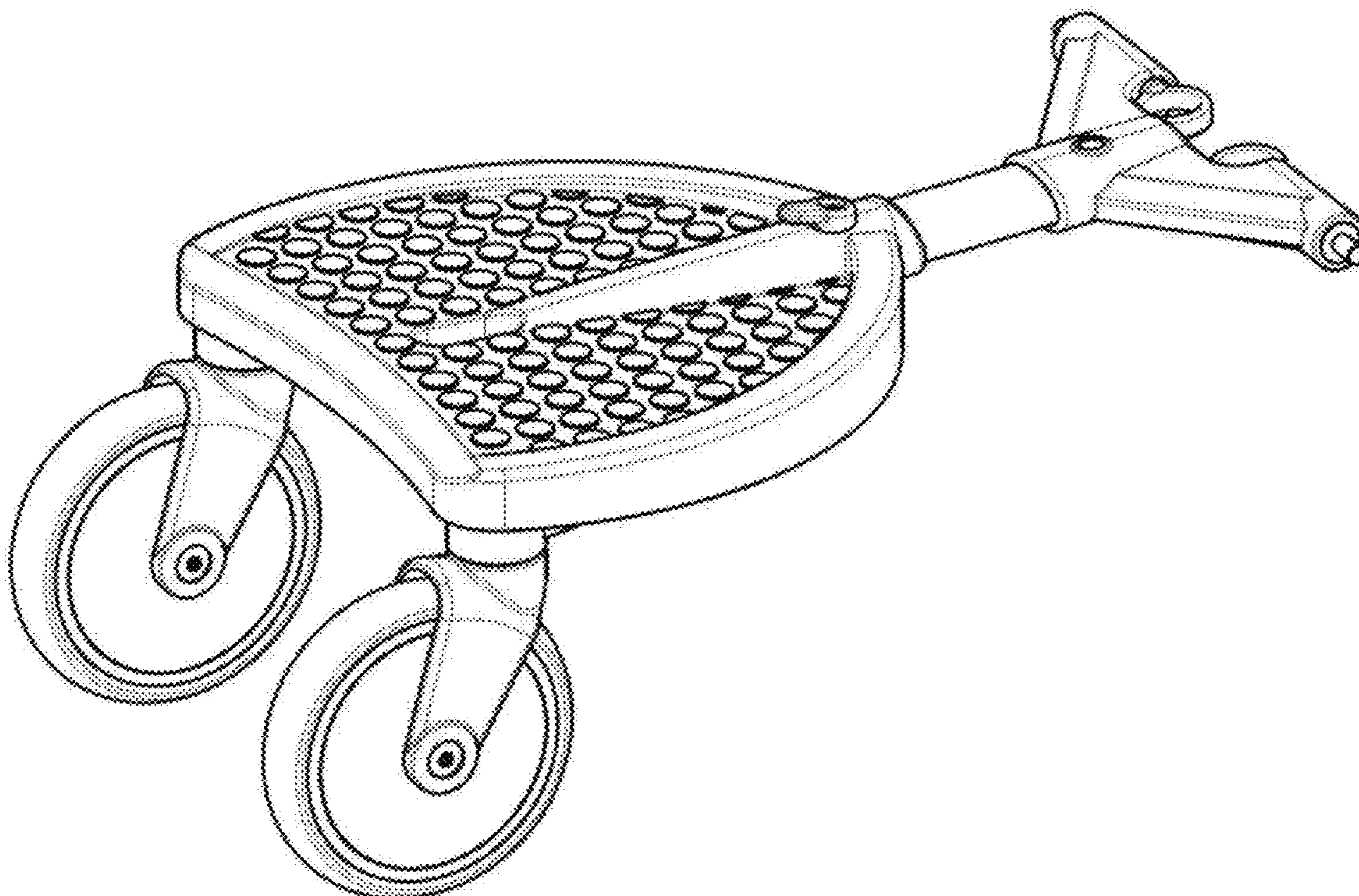
(51) **LOC (11) Cl.** ..... **12-12**

(52) **U.S. Cl.**  
USPC ..... **D12/133**

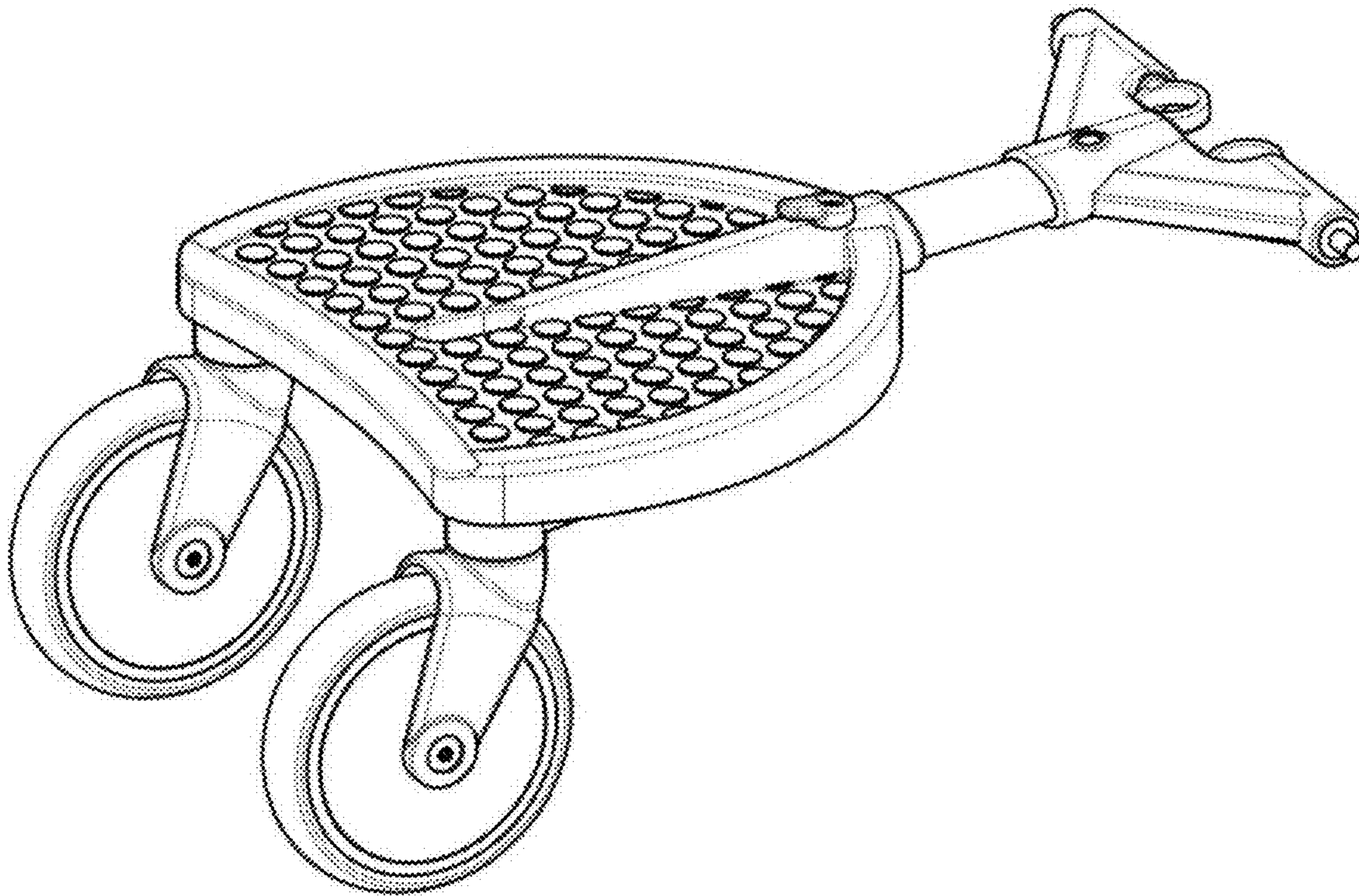
(58) **Field of Classification Search**  
USPC ..... D12/129, 133

- 1. Platform for perambulators and pushchairs
- 1.1 : Perspective
- 1.2 : Front
- 1.3 : Back
- 1.4 : Right
- 1.5 : Left
- 1.6 : Top
- 1.7 : Bottom

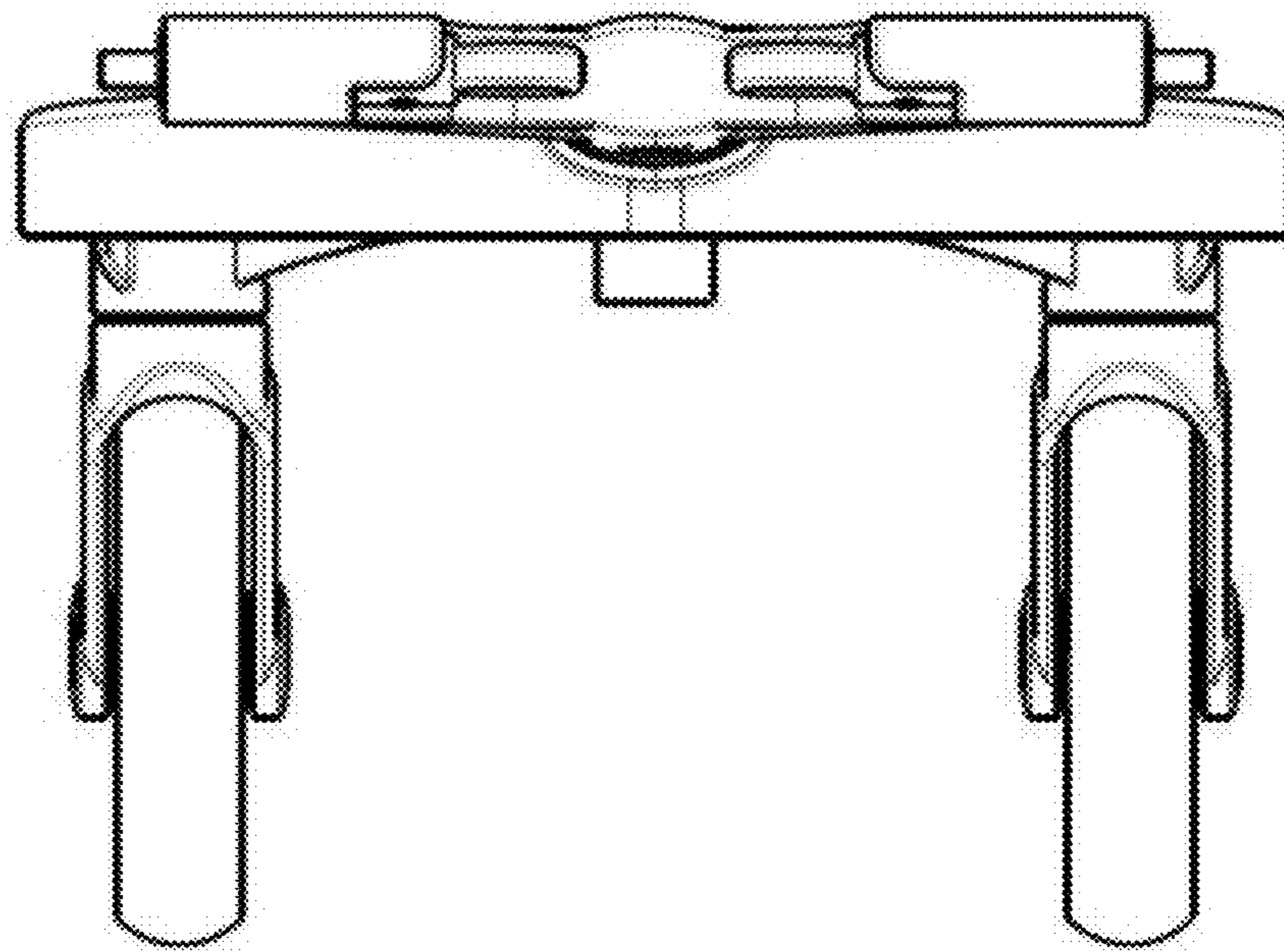
**1 Claim, 7 Drawing Sheets**



1.1

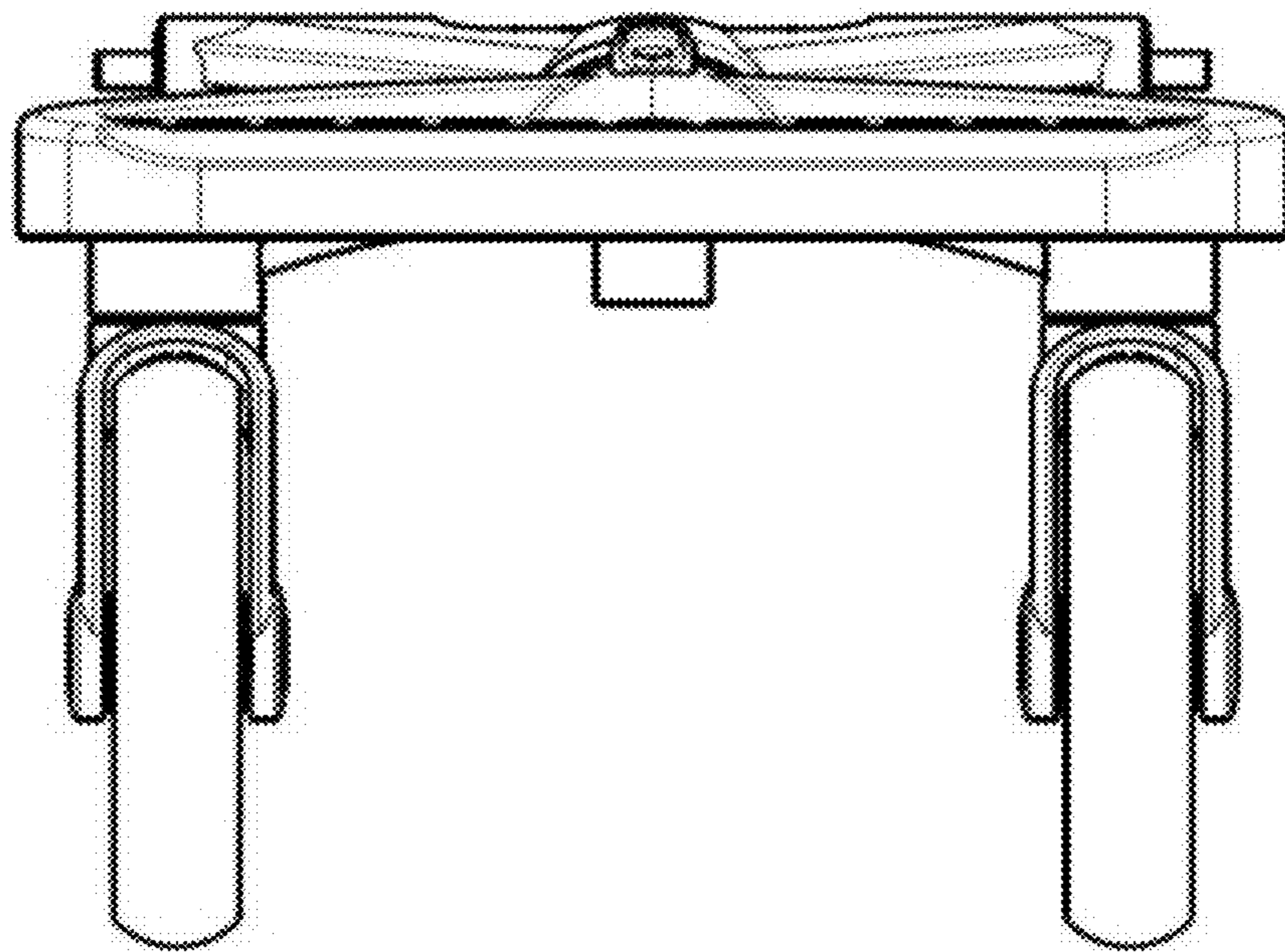


1.2

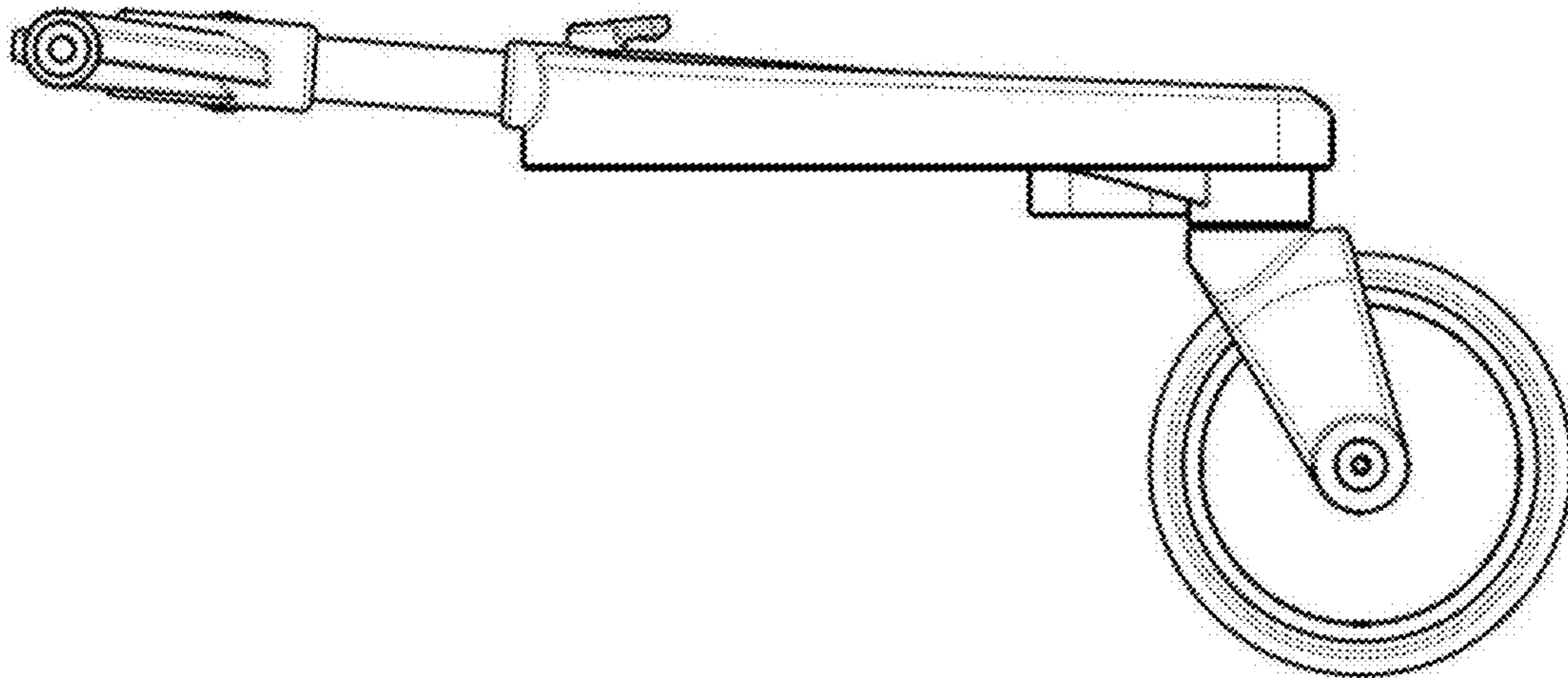




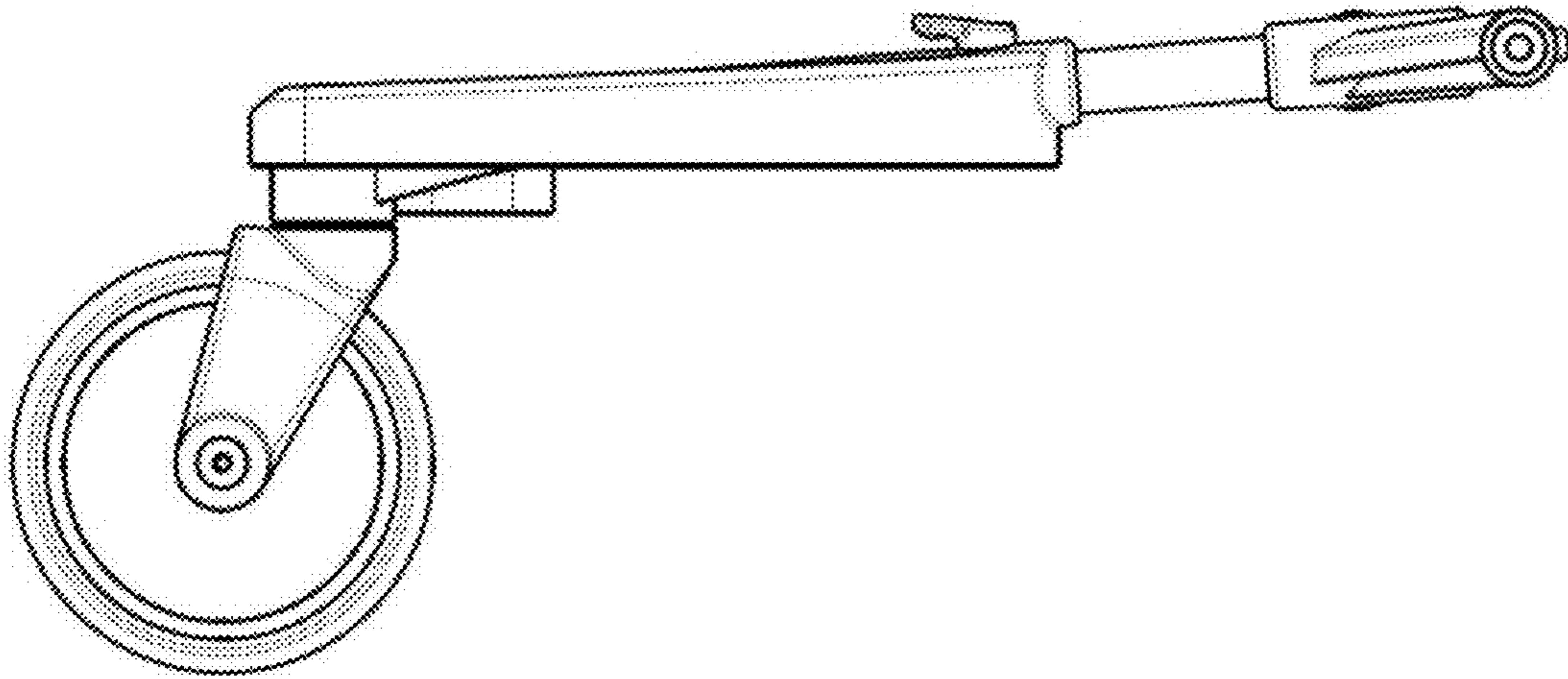
1.3



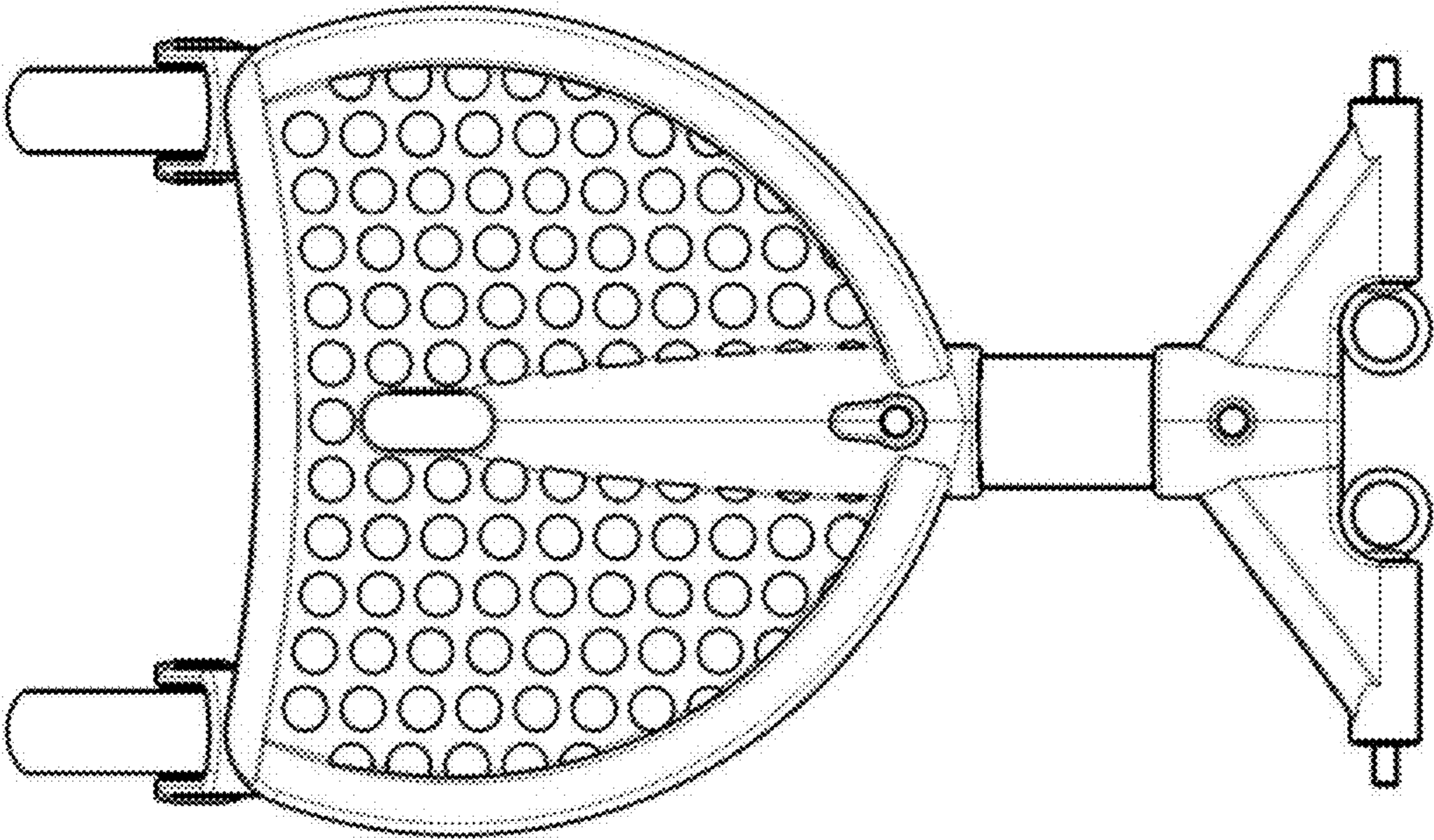
1.4



1.5



1.6



1.7

