



US00D826104S

(12) **United States Design Patent** (10) **Patent No.:** **US D826,104 S**
Withagen (45) **Date of Patent:** **** Aug. 21, 2018**

(54) **BICYCLE PARKING STAND**

(71) Applicant: **VELOPA B.V.**, Leiderdorp (NL)
(72) Inventor: **Feiko Withagen**, Leiderdorp (NL)
(73) Assignee: **Velopa B.V.**, Leiderdorp (NL)
(**) Term: **15 Years**

(21) Appl. No.: **35/502,040**
(22) Filed: **Jun. 7, 2016**

(80) **Hague Agreement Data**

Int. Filing Date: **Jun. 7, 2016**
Int. Reg. No.: **DM/091822**
Int. Reg. Date: **Jun. 7, 2016**
Int. Reg. Pub. Date: **Dec. 9, 2016**

(30) **Foreign Application Priority Data**

Dec. 8, 2015 (EM) 2900589-0001
Dec. 8, 2015 (EM) 2900589-0002
(Continued)

(51) **LOC (11) Cl.** **12-11**

(52) **U.S. Cl.**
USPC **D12/115**

(58) **Field of Classification Search**
USPC D12/115, 120
(Continued)

(56) **References Cited**

U.S. PATENT DOCUMENTS

3,603,459 A * 9/1971 Erb B62H 3/08
211/20
4,015,718 A * 4/1977 Bernard B62H 3/08
211/20

(Continued)

Primary Examiner — Darlington Ly

(74) *Attorney, Agent, or Firm* — Swanson & Bratschun,
L.L.C.

(57) **CLAIM**

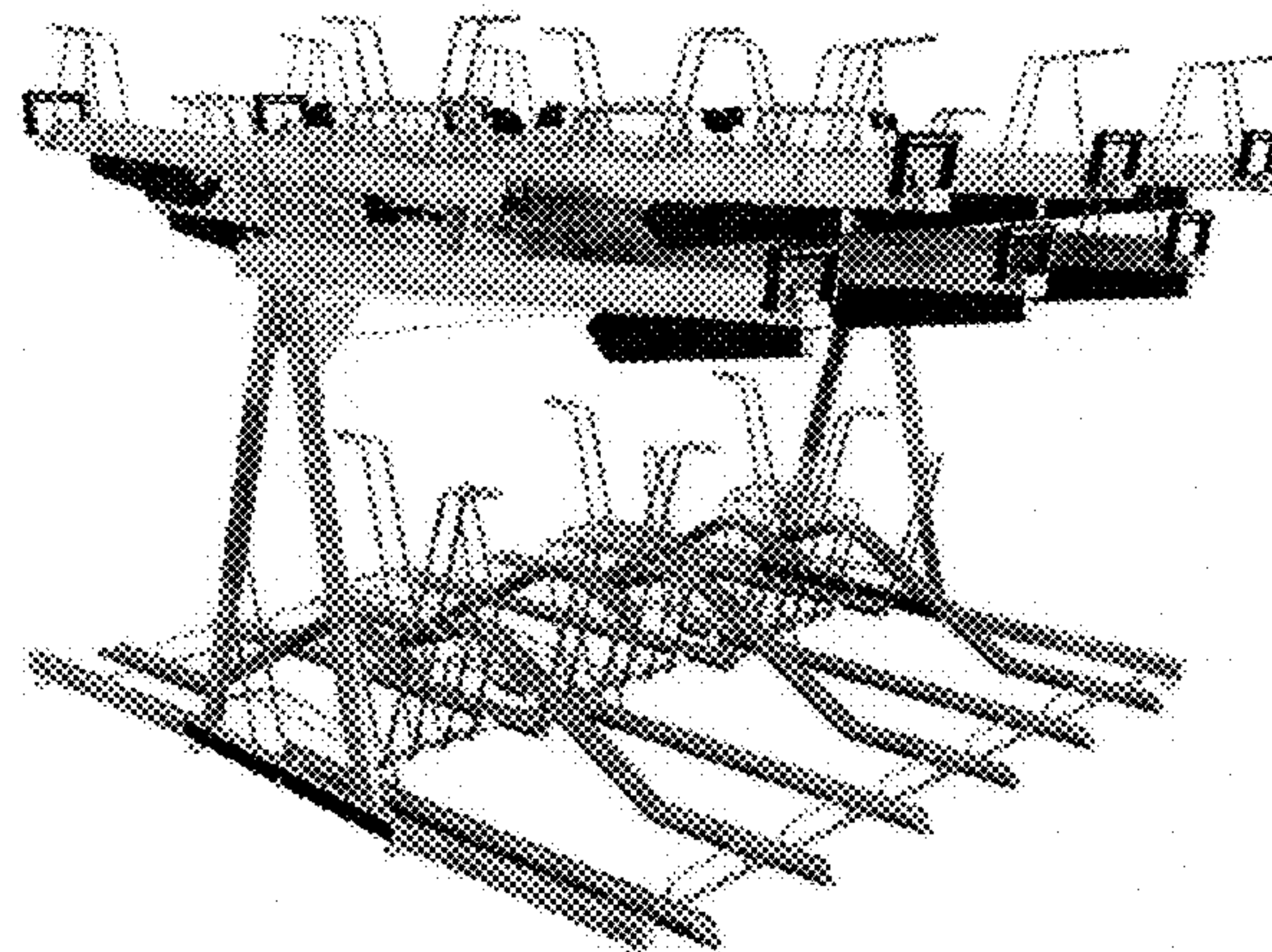
The ornamental design for a bicycle parking stand, as shown and described.

DESCRIPTION

The file of this patent contains at least one drawing/photograph executed in color. Copies of this patent with color drawing(s)/photograph(s) will be provided by the Office upon request and payment of the necessary fee.

- 1.1 is a front and left side perspective view of a bicycle parking stand showing my new design in accordance to a first embodiment;
- 1.2 is a front elevation view thereof;
- 1.3 is a top plan view thereof;
- 1.4 is a left side elevation view thereof;
- 1.5 is a bottom plan view thereof;
- 2.1 is a front and left side perspective view of a bicycle parking stand showing my new design in accordance to a second embodiment;
- 2.2 is a front elevation view thereof;
- 2.3 is a top plan view thereof;
- 2.4 is a left side elevation view thereof;
- 2.5 is a bottom plan view thereof;
- 3.1 is a front and left side perspective view of a bicycle parking stand showing my new design in accordance to a third embodiment;
- 3.2 is a front elevation view thereof;
- 3.3 is a top plan view thereof;
- 3.4 is a left side elevation view thereof;
- 3.5 is a bottom plan view thereof;
- 4.1 is a front and left side perspective view of a bicycle parking stand showing my new design in accordance to a fourth embodiment;
- 4.2 is a front elevation view thereof;
- 4.3 is a top plan view thereof;
- 4.4 is a left side elevation view thereof; and
- 4.5 is a bottom plan view thereof.

(Continued)



US D826,104 S

Page 2

Embodiments 3 and 4 include the use of color. The color is an element of the claimed design.

**1 Claim, 20 Drawing Sheets
(20 of 20 Drawing Sheet(s) Filed in Color)**

(30) **Foreign Application Priority Data**

Dec. 8, 2015 (EM) 2900589-0003
Dec. 8, 2015 (EM) 2900589-0004

(58) **Field of Classification Search**
CPC B62H 3/04; B62H 3/08; B62H 3/12
See application file for complete search history.

(56) **References Cited**

U.S. PATENT DOCUMENTS

D391,903 S * 3/1998 Pappas D12/115
6,336,562 B1 * 1/2002 Mori B62H 3/08
211/162

D602,403 S * 10/2009 Shaha D12/115
D604,207 S * 11/2009 Selzer D12/115
D623,095 S * 9/2010 Nusbaum D12/115
D623,991 S * 9/2010 Nusbaum D12/115
7,946,432 B1 * 5/2011 Swanson B62H 3/12
211/20
D666,537 S * 9/2012 Hoadley D12/115
D678,131 S * 3/2013 Hoadley D12/115
D719,491 S * 12/2014 Rayl D12/115
D719,492 S * 12/2014 Rayl D12/115
D735,091 S * 7/2015 Slaughenhaupt D12/115
D737,196 S * 8/2015 Pappas D12/407
9,278,721 B2 * 3/2016 Blume B62H 3/04
D759,570 S * 6/2016 Pappas D12/407
D766,138 S * 9/2016 Arbour D12/115
D768,545 S * 10/2016 Greenblatt D12/115
D774,422 S * 12/2016 Greenblatt D12/115
D778,788 S * 2/2017 Tsai D12/115
9,592,868 B2 * 3/2017 Greenblatt F16B 41/005
D793,287 S * 8/2017 Bauer D12/115

* cited by examiner

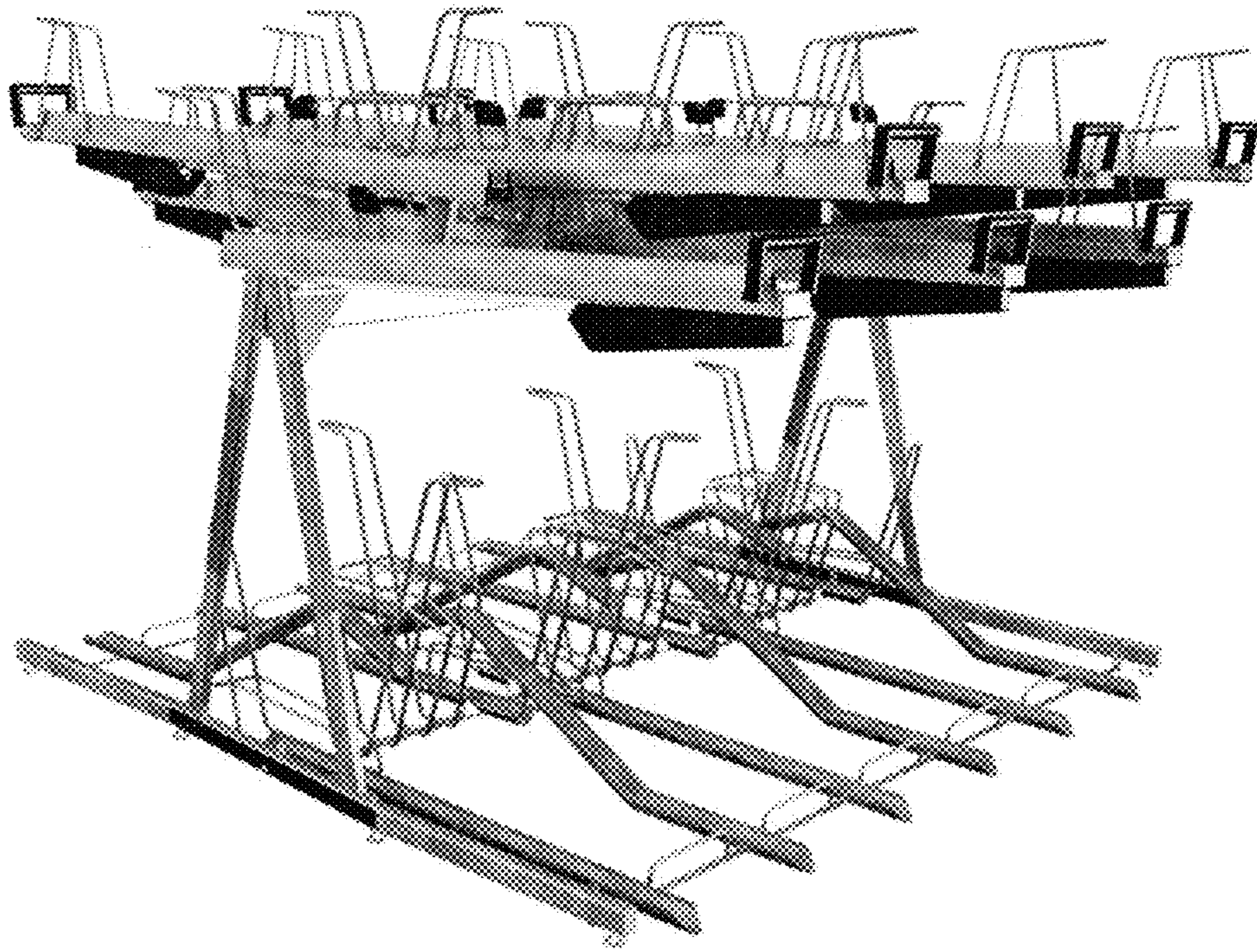


Fig. 1.1

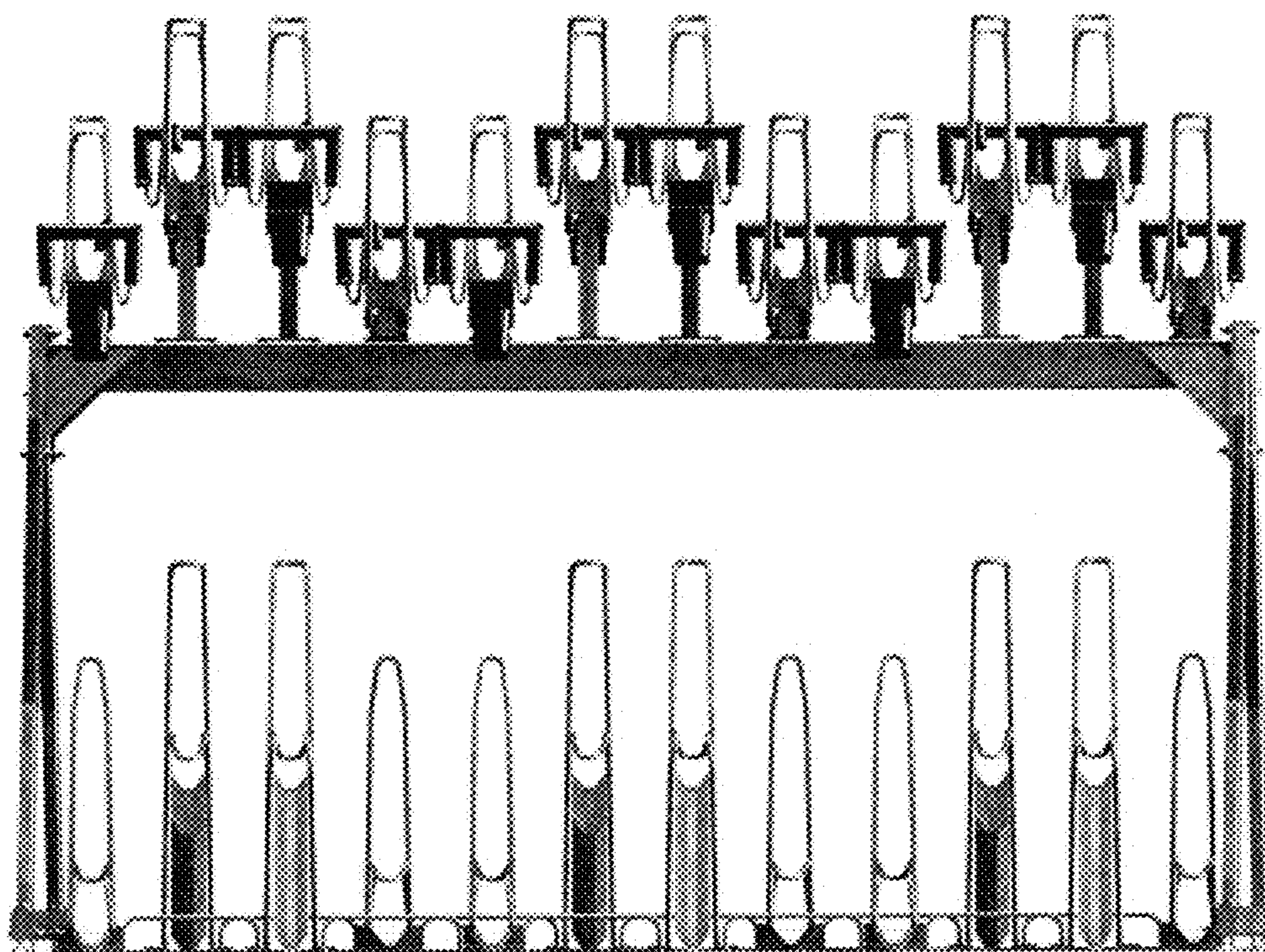


FIG. 1.2

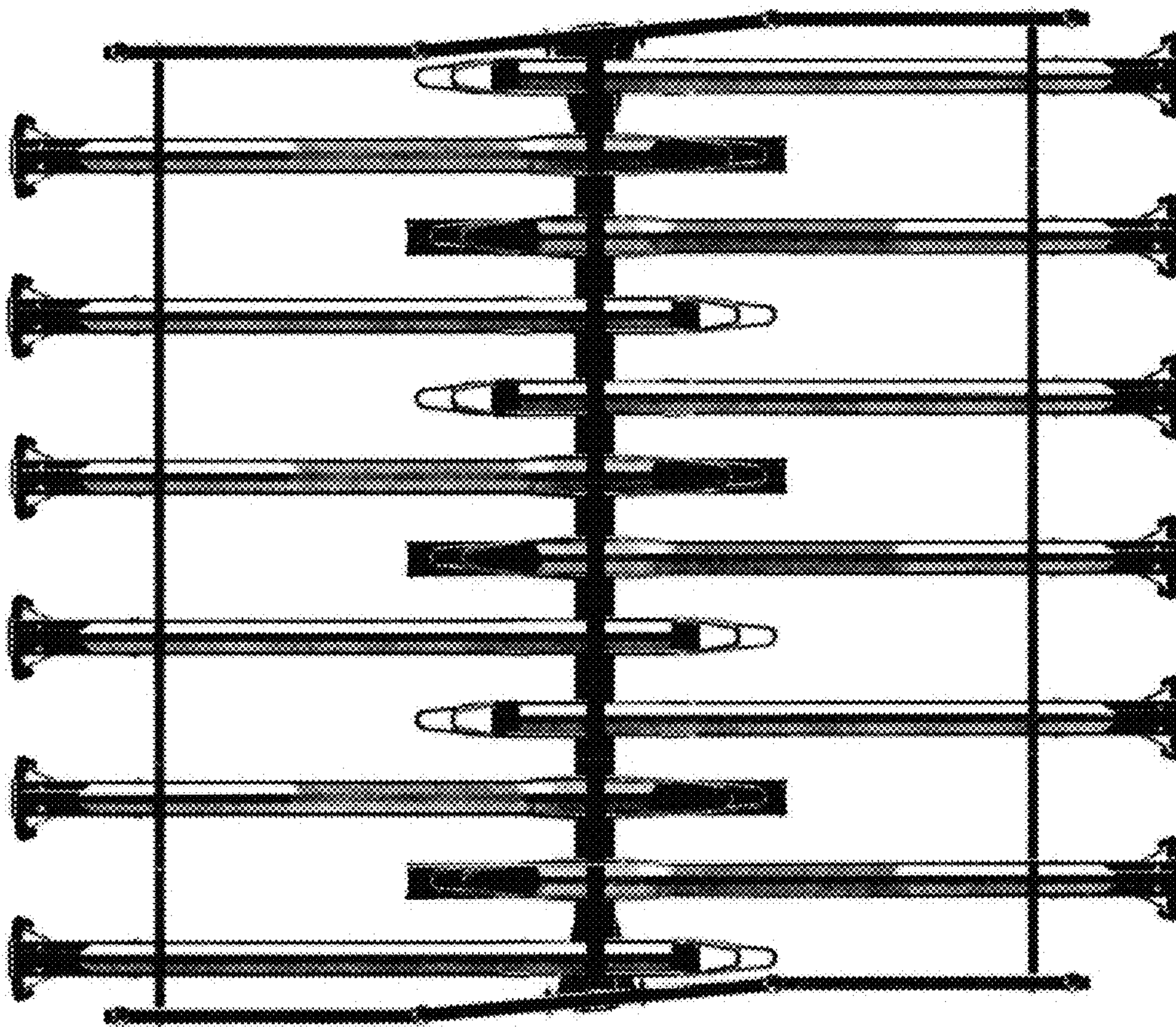


FIG. 1.3

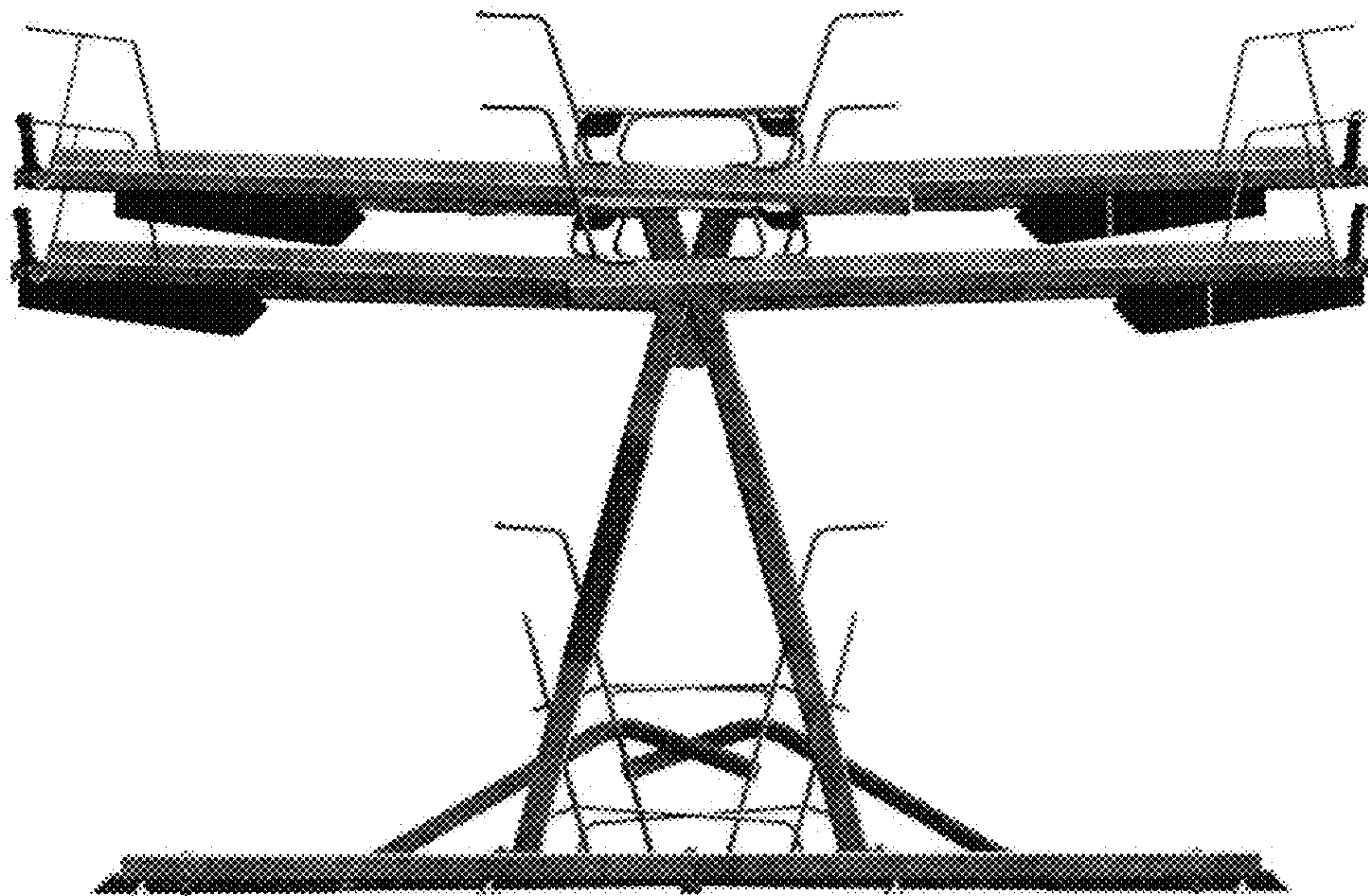


FIG. 1.4

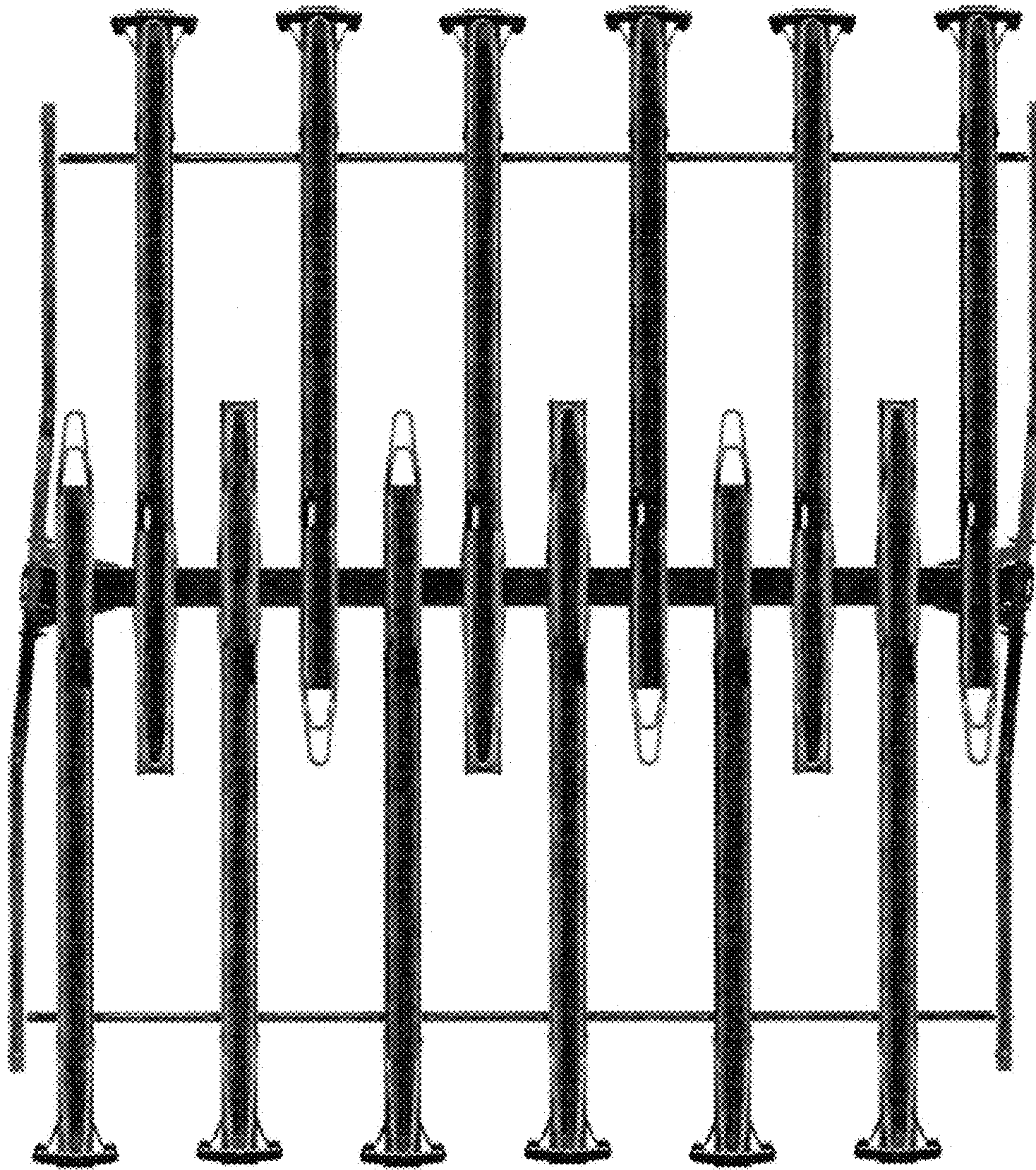


FIG. 15

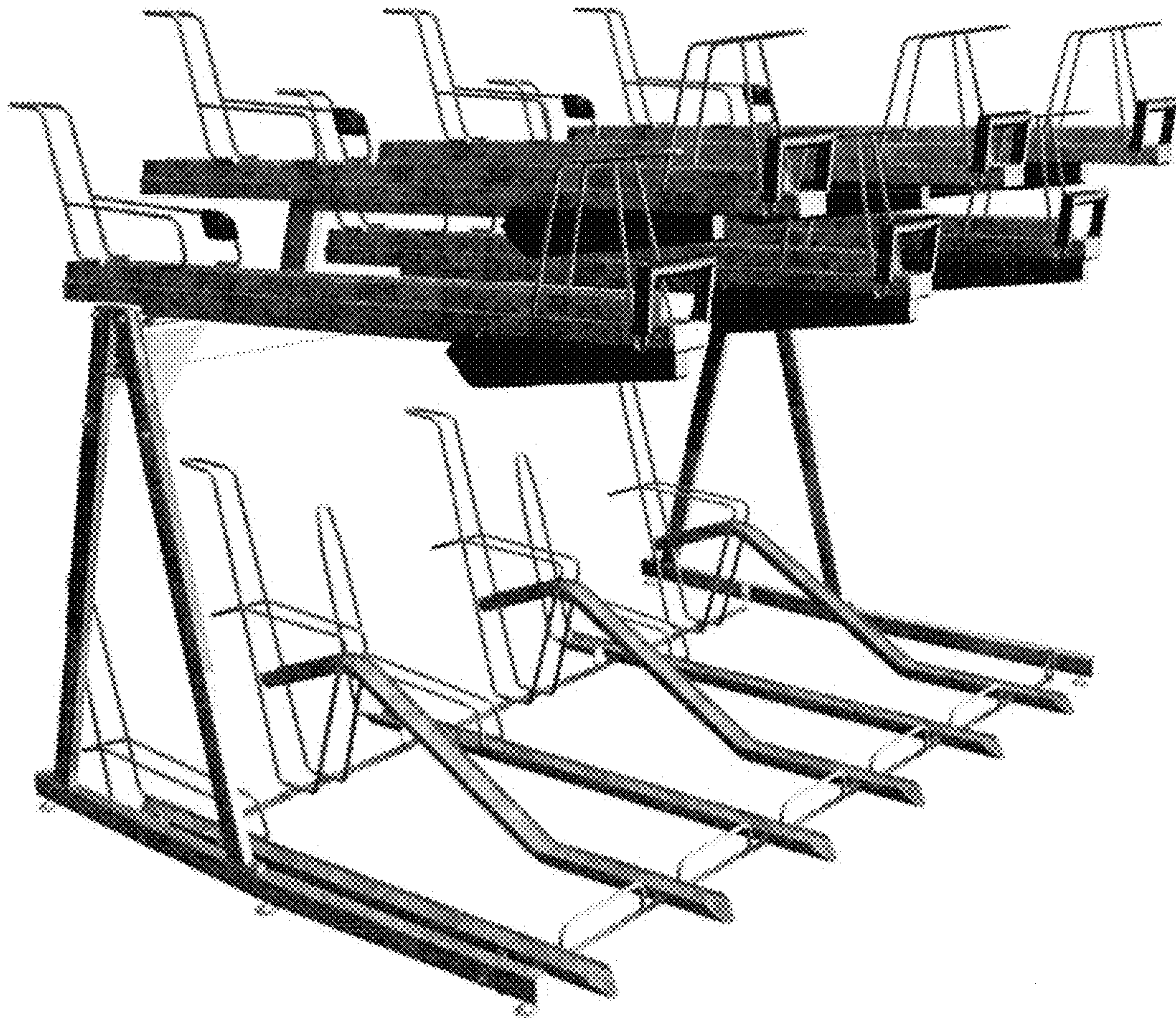


Fig. 2.1

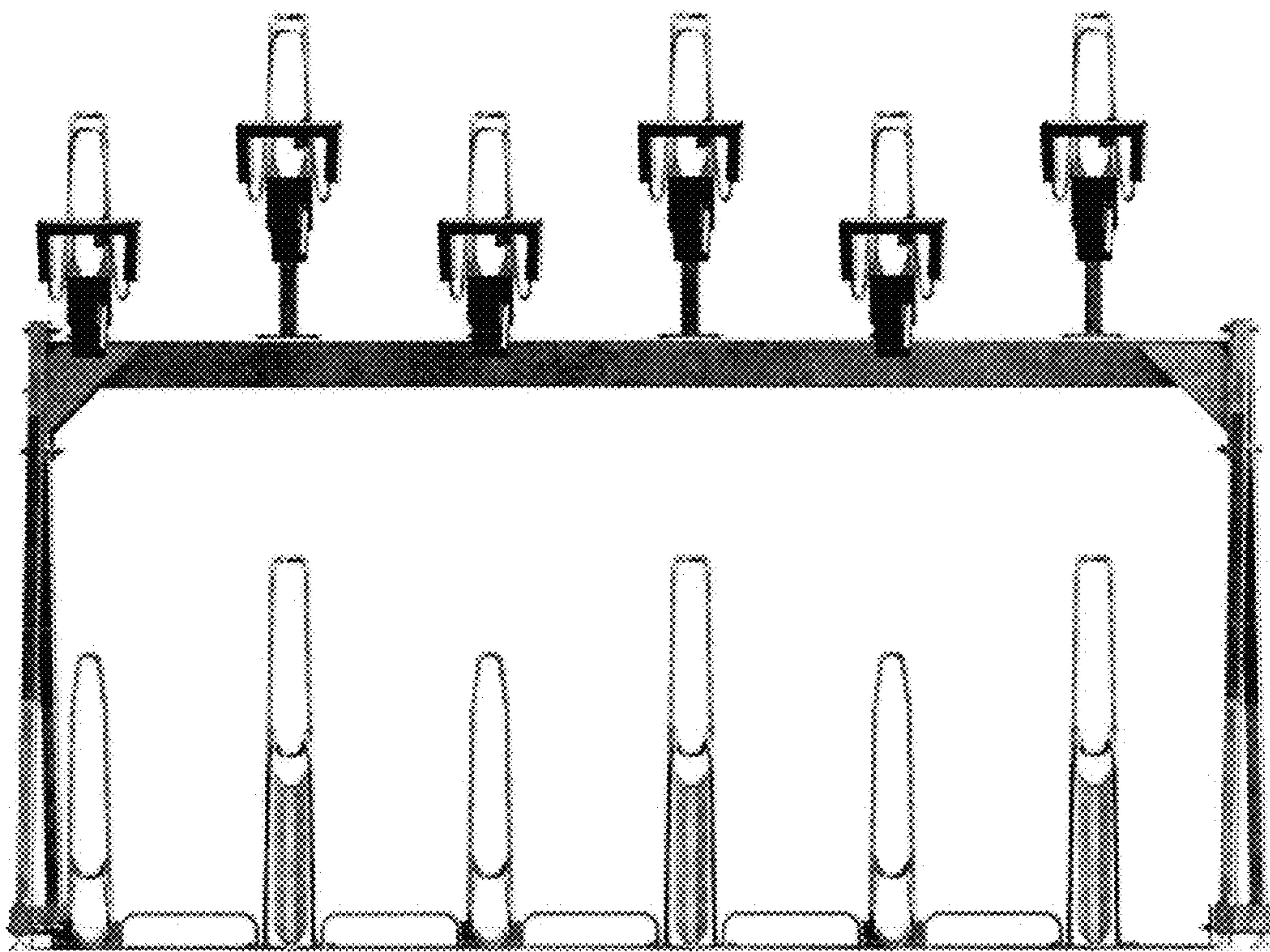


FIG. 2.2

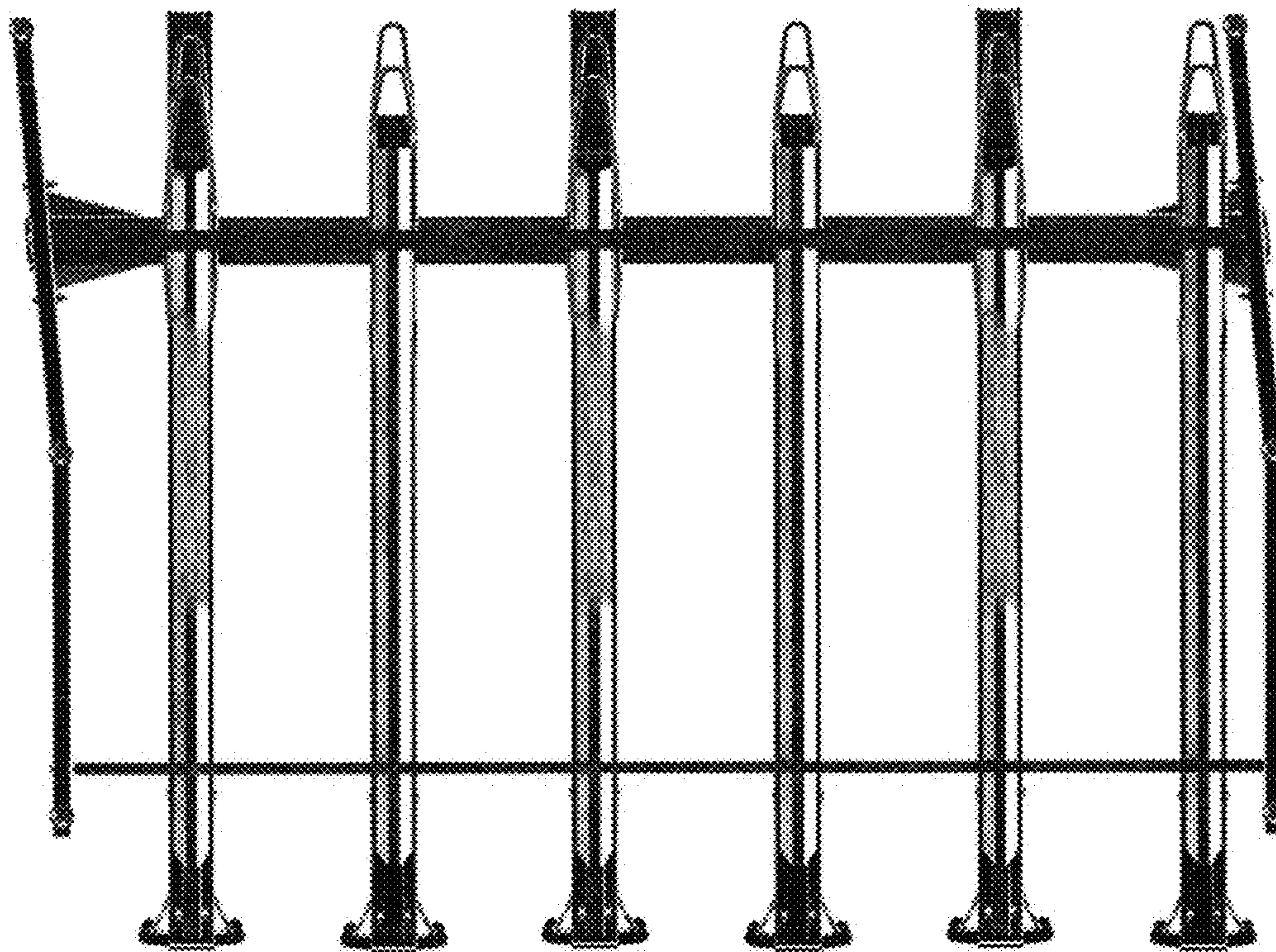


FIG. 2.3

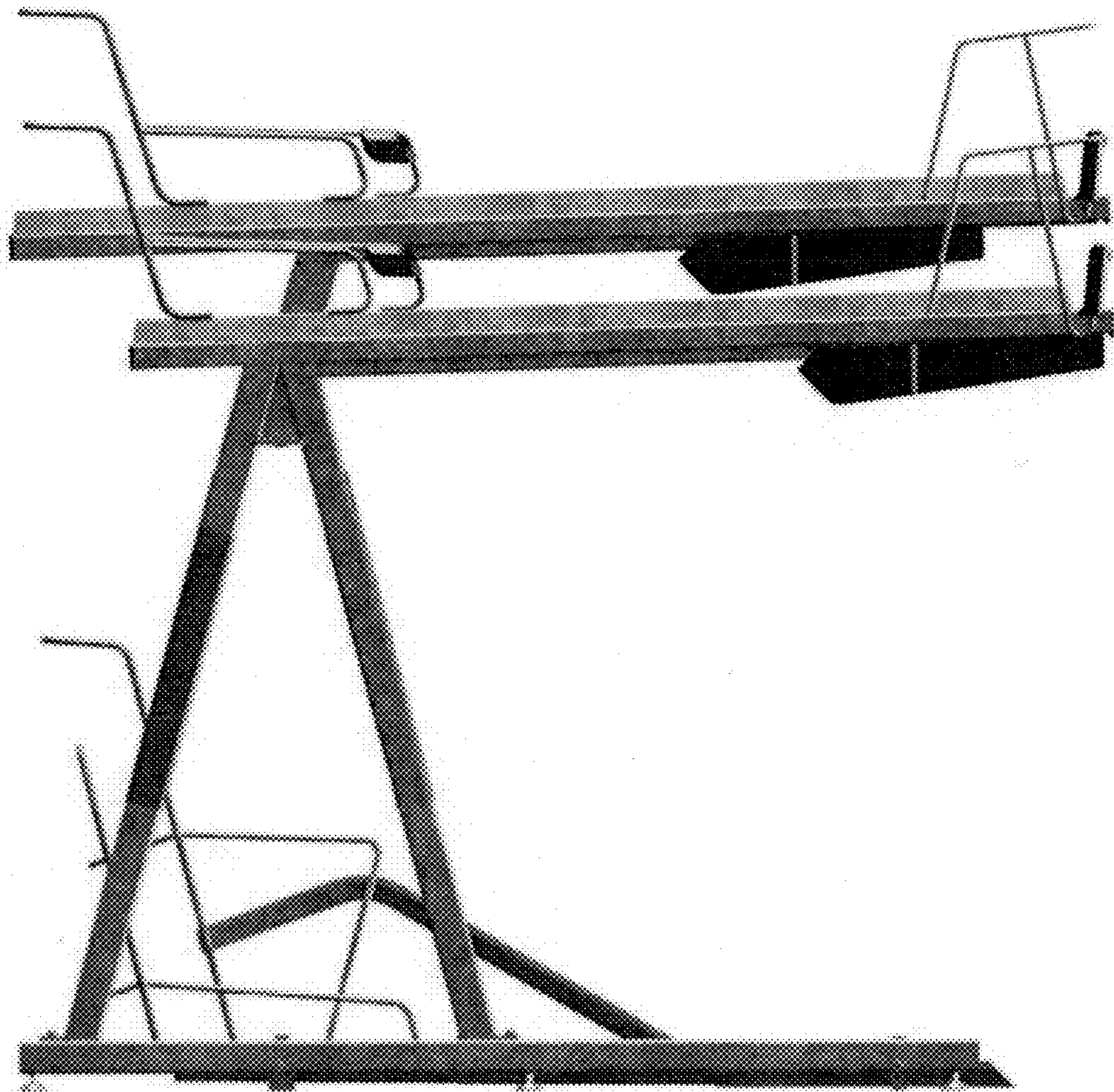


FIG. 2.4

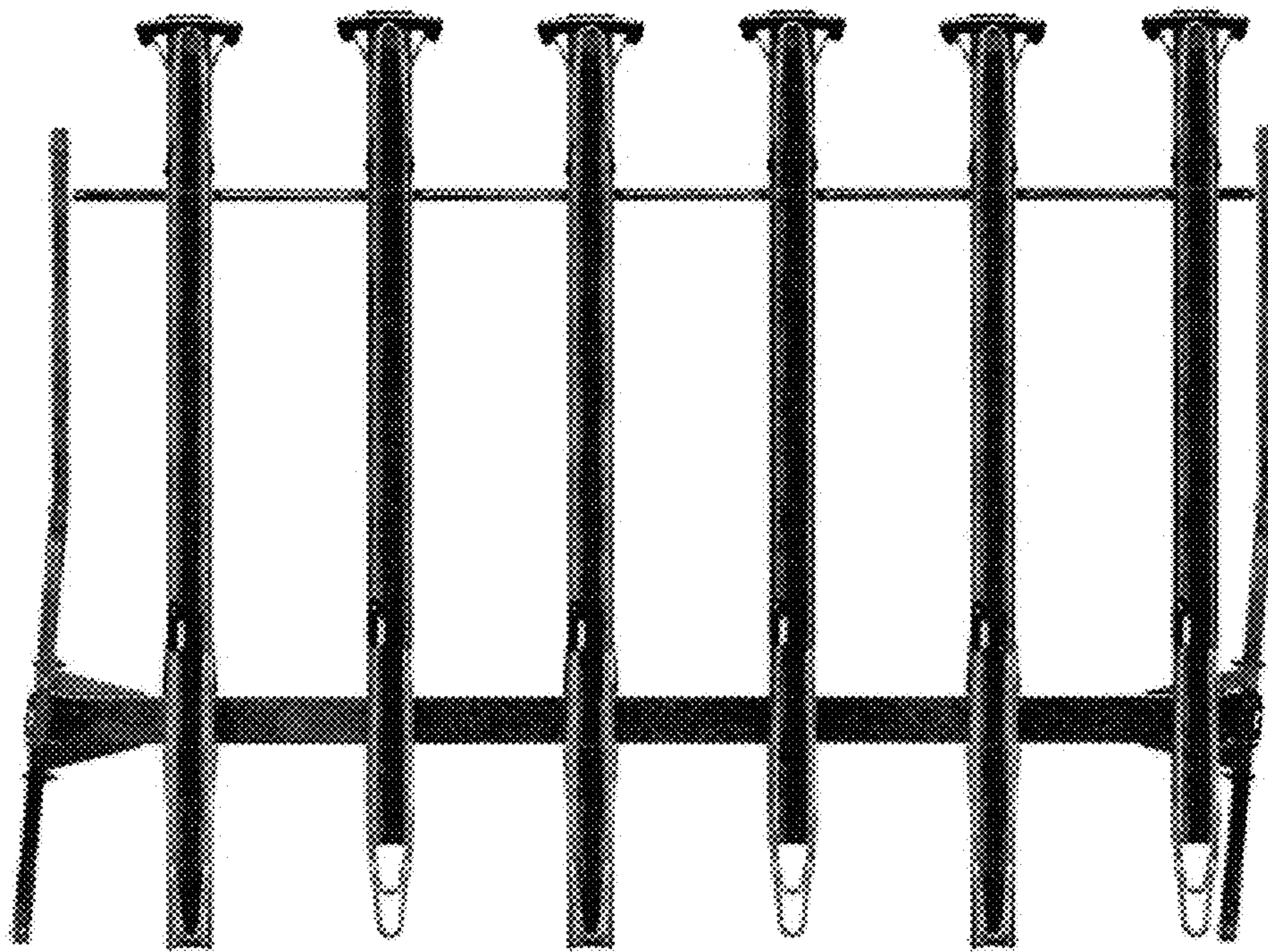


FIG. 2.5

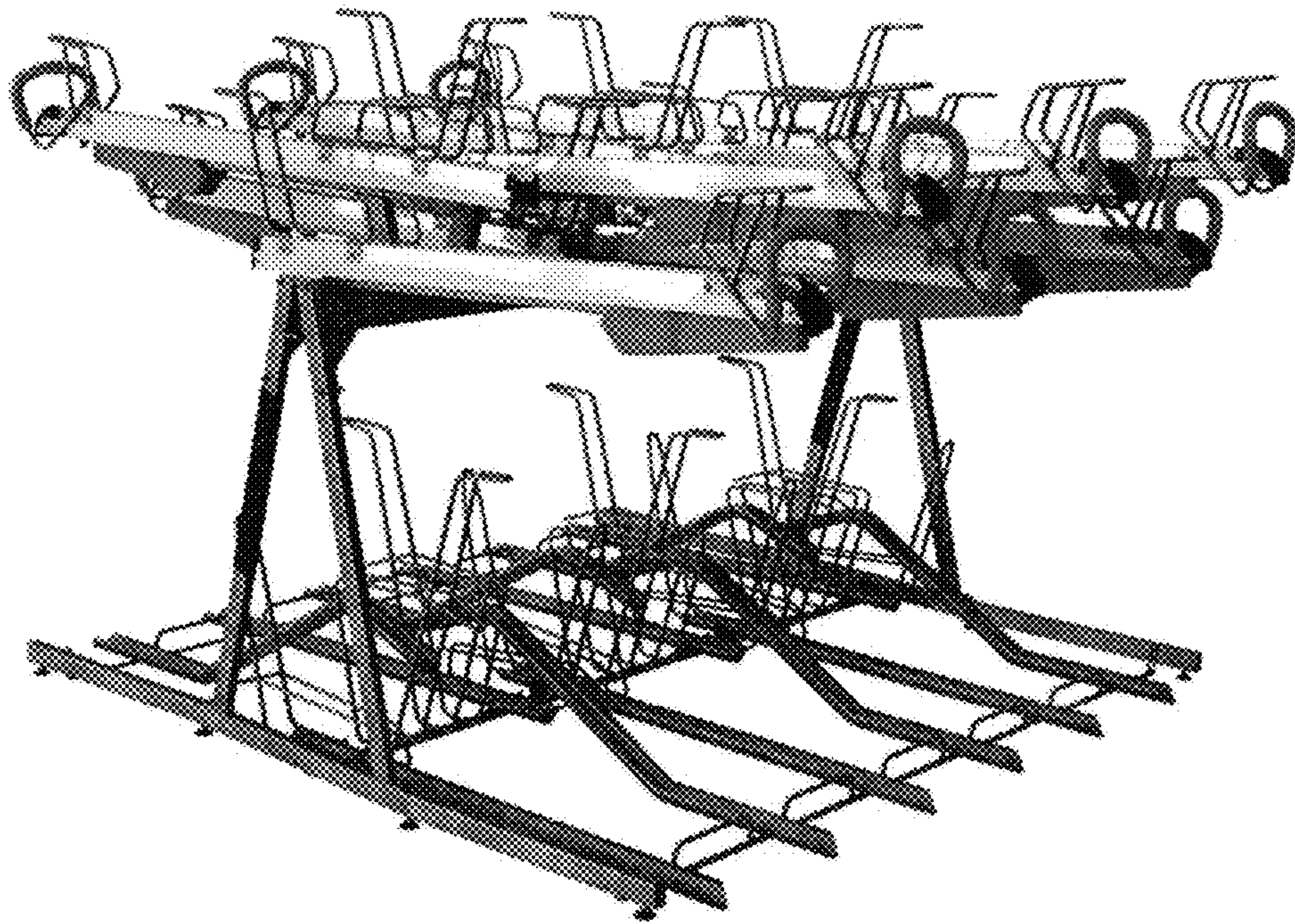


Fig. 3.1

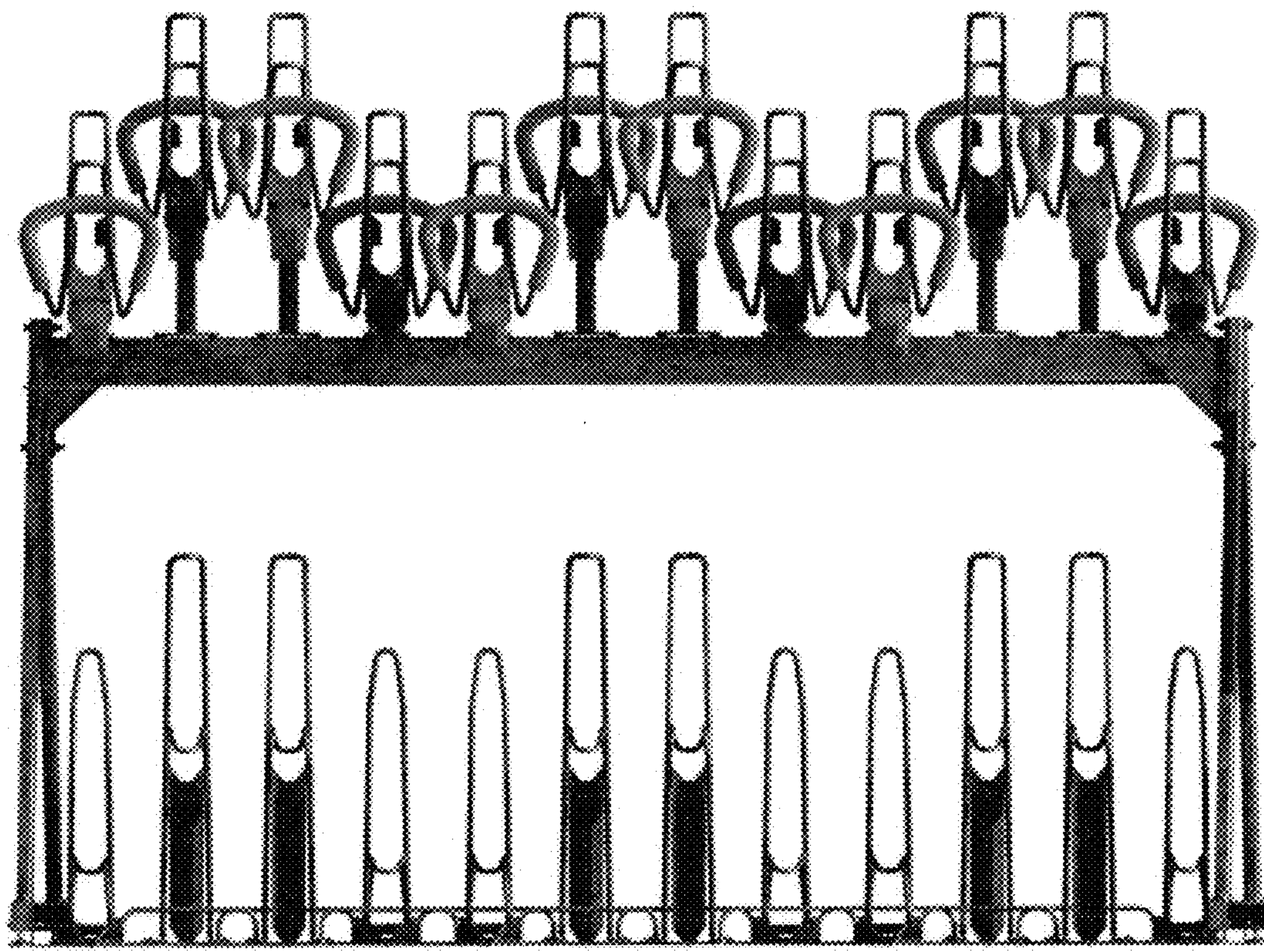


FIG. 3.2

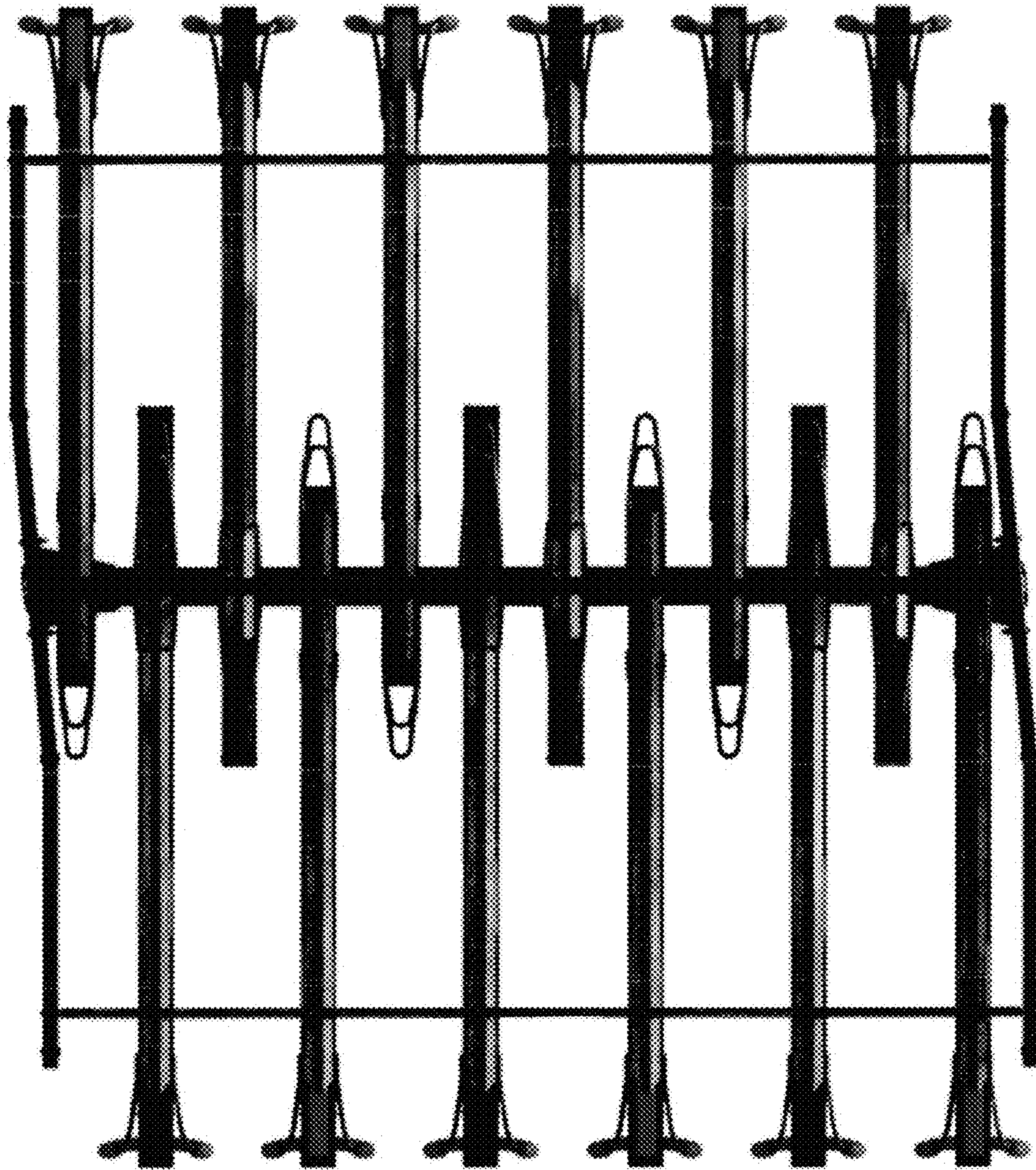


FIG. 3.3

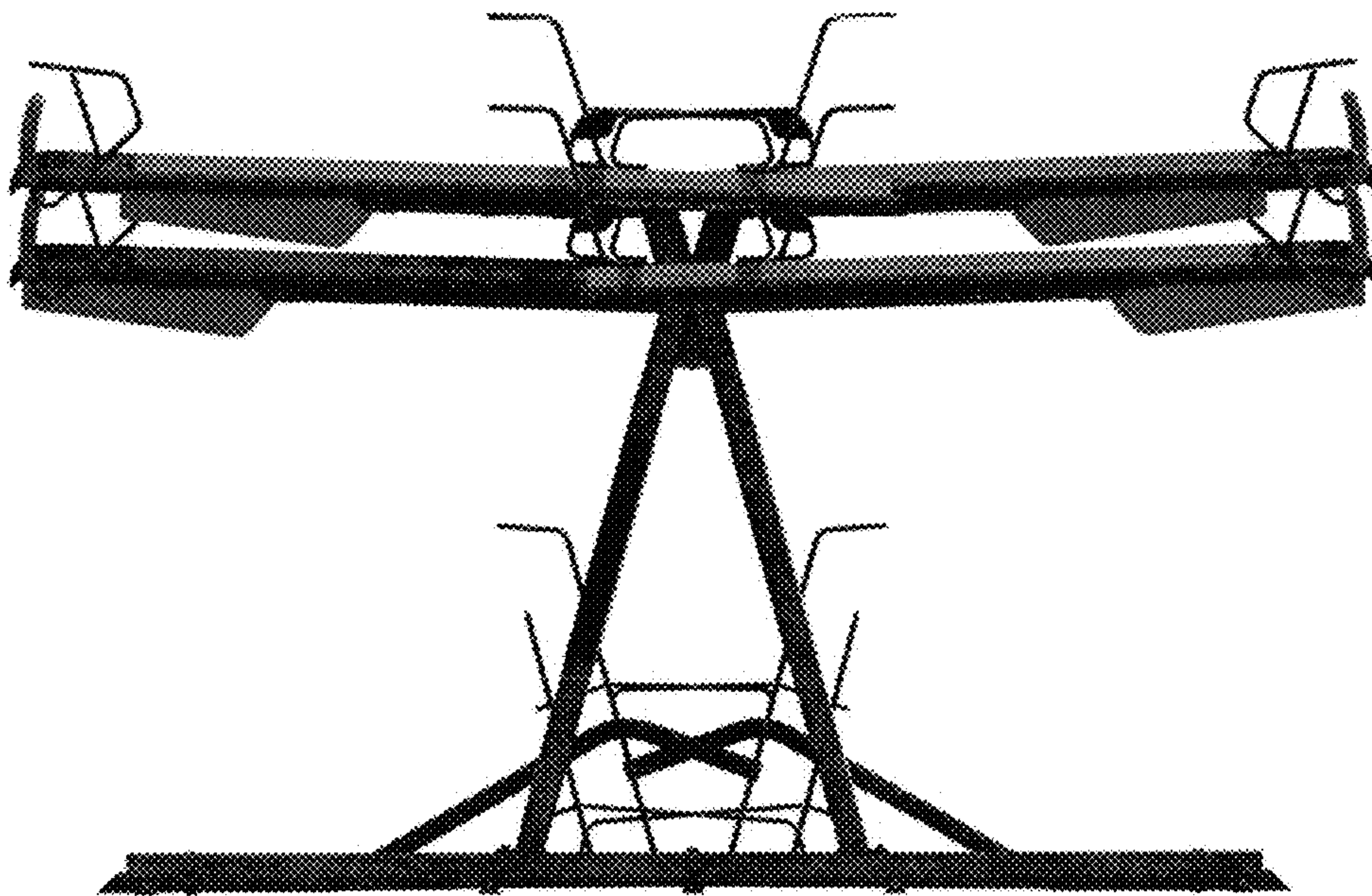


FIG. 3.4

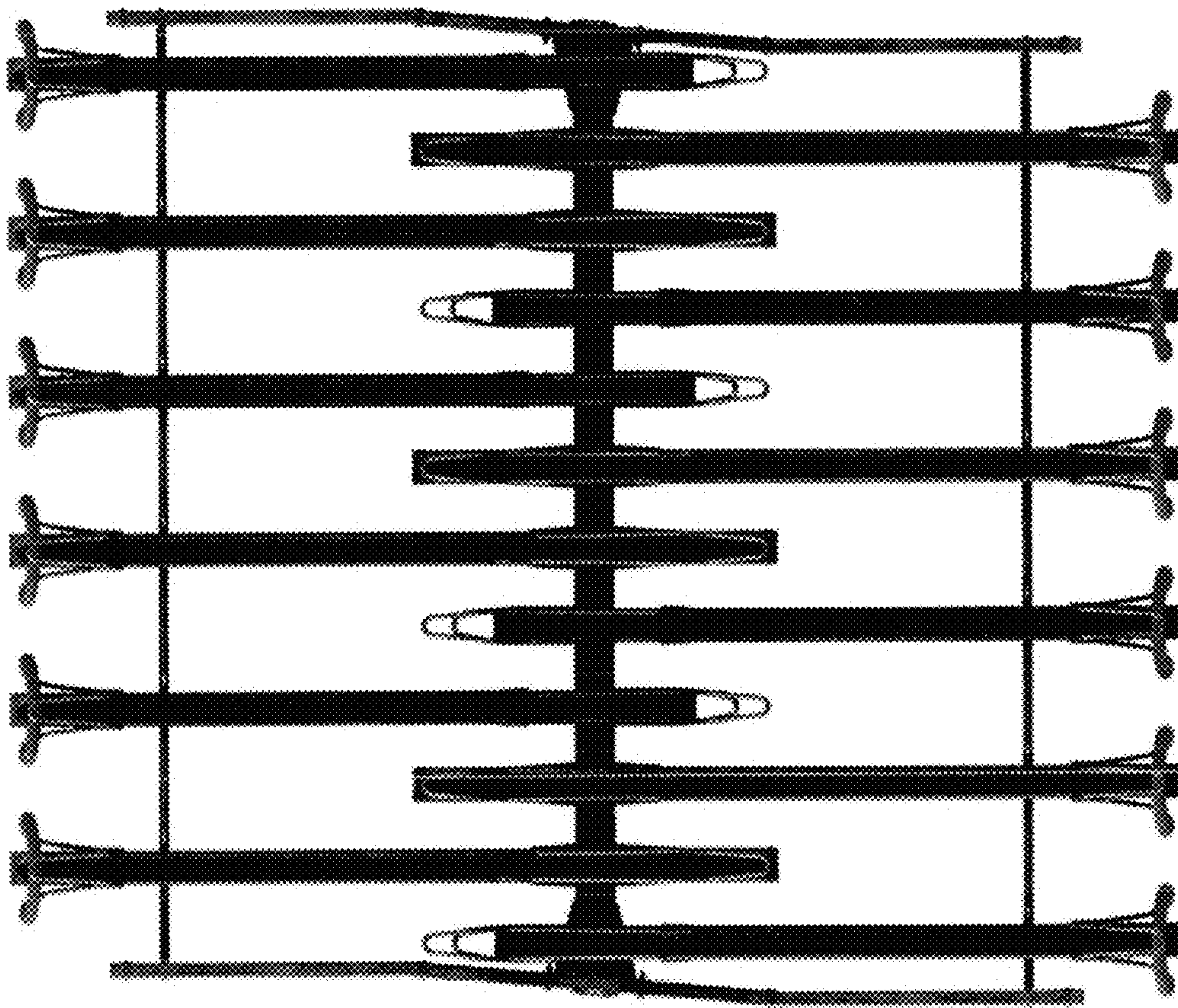


FIG. 3.5

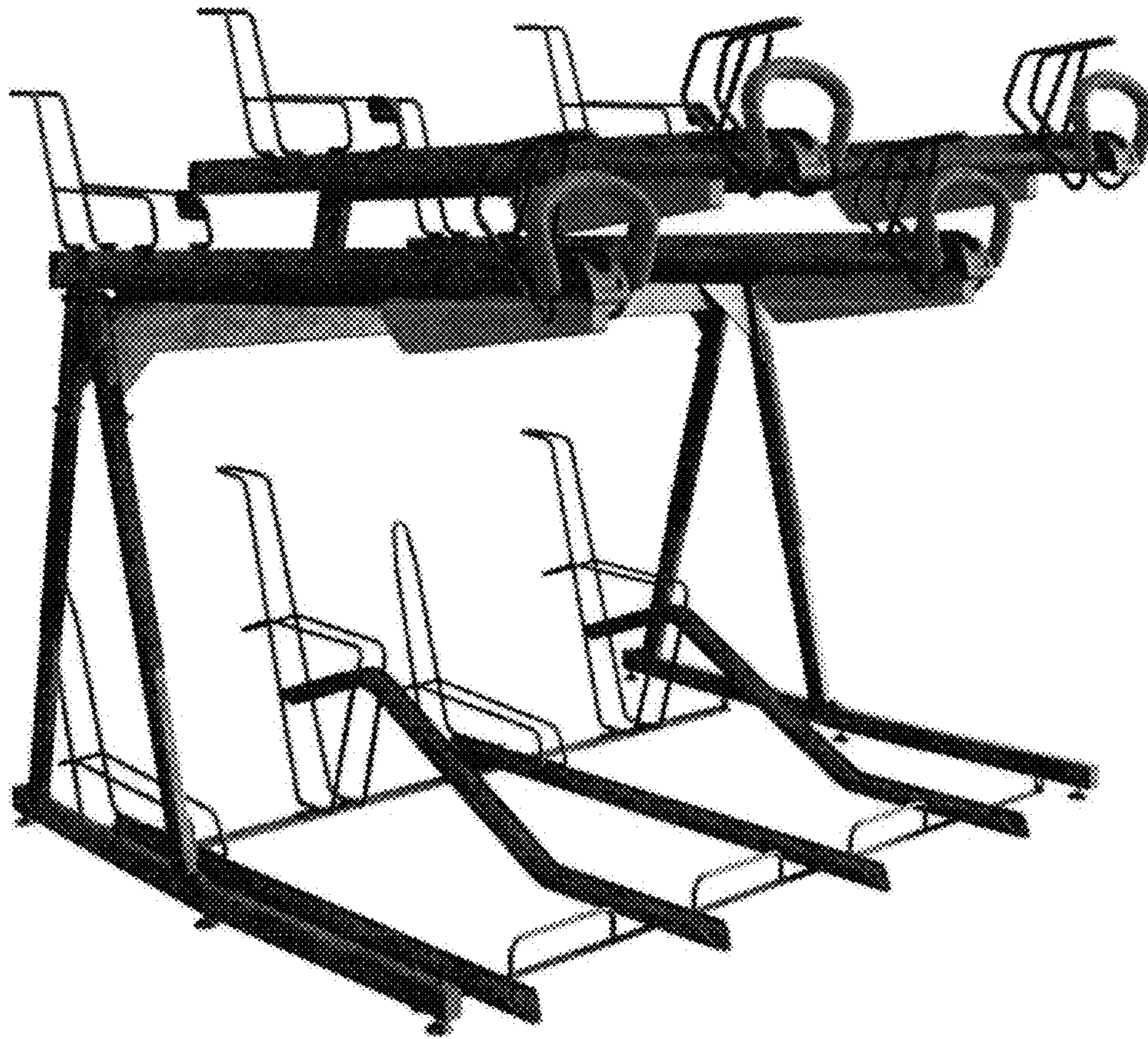


Fig. 4.1

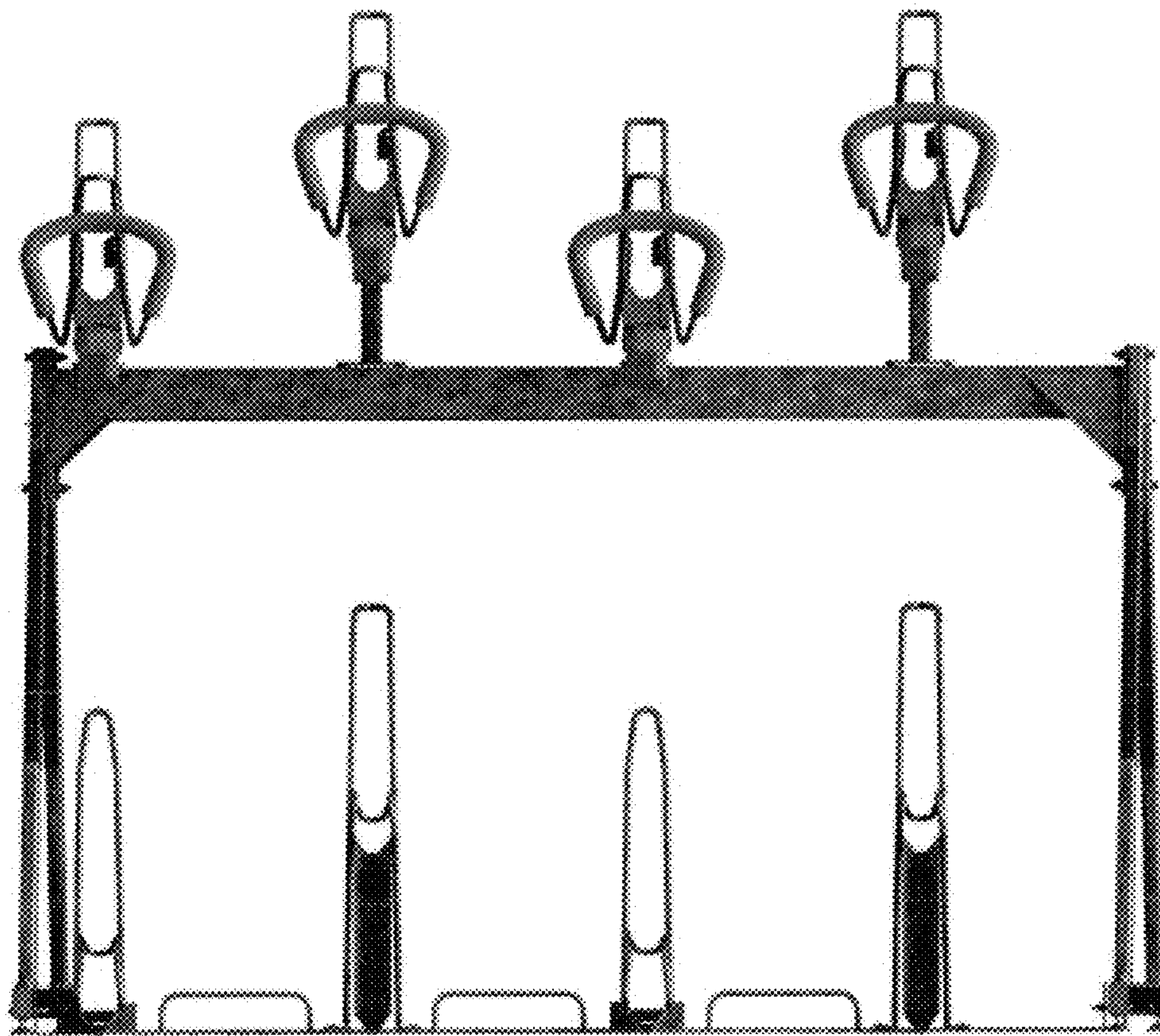


FIG. 4.2

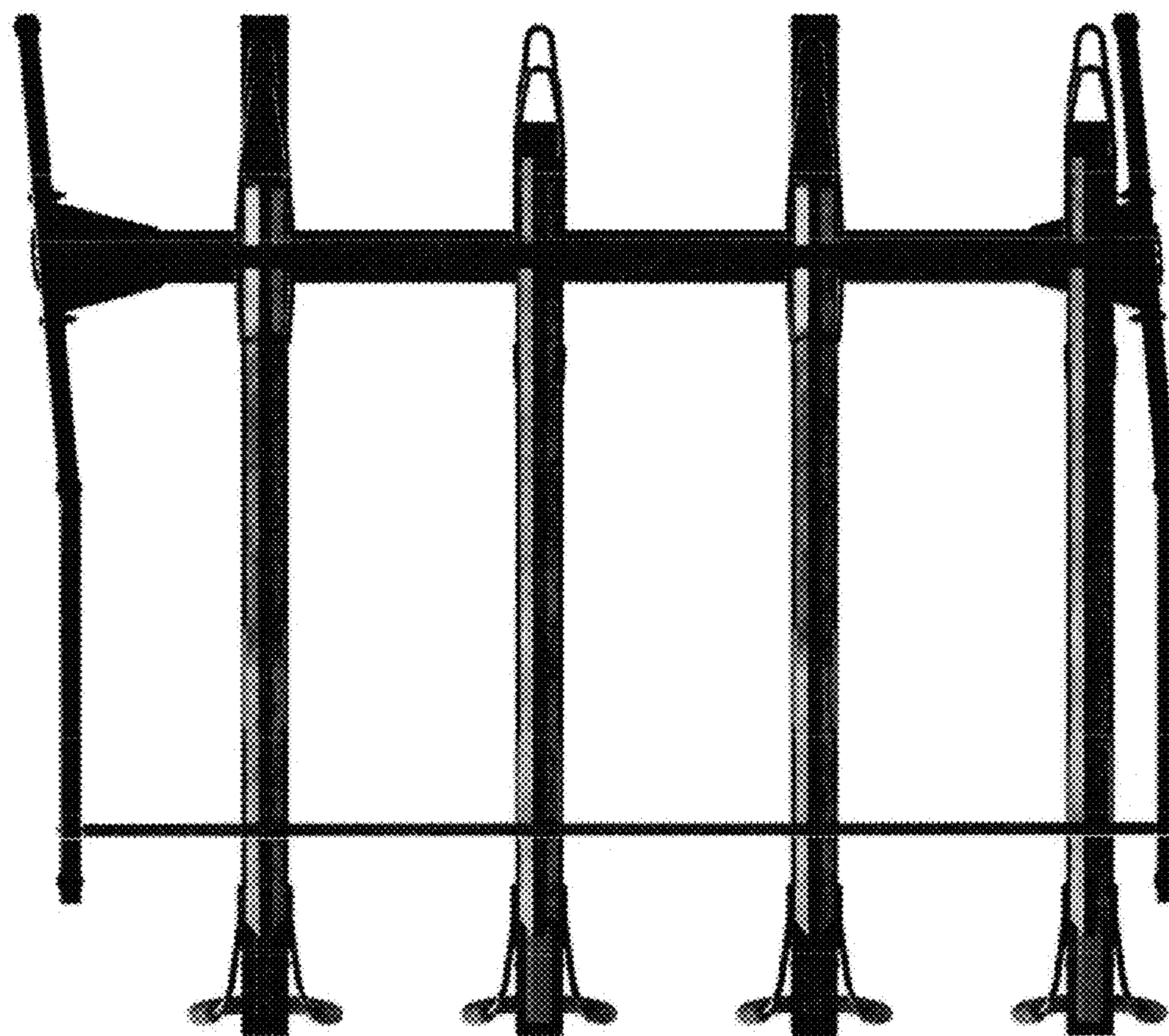


FIG. 4.3



FIG. 4.4

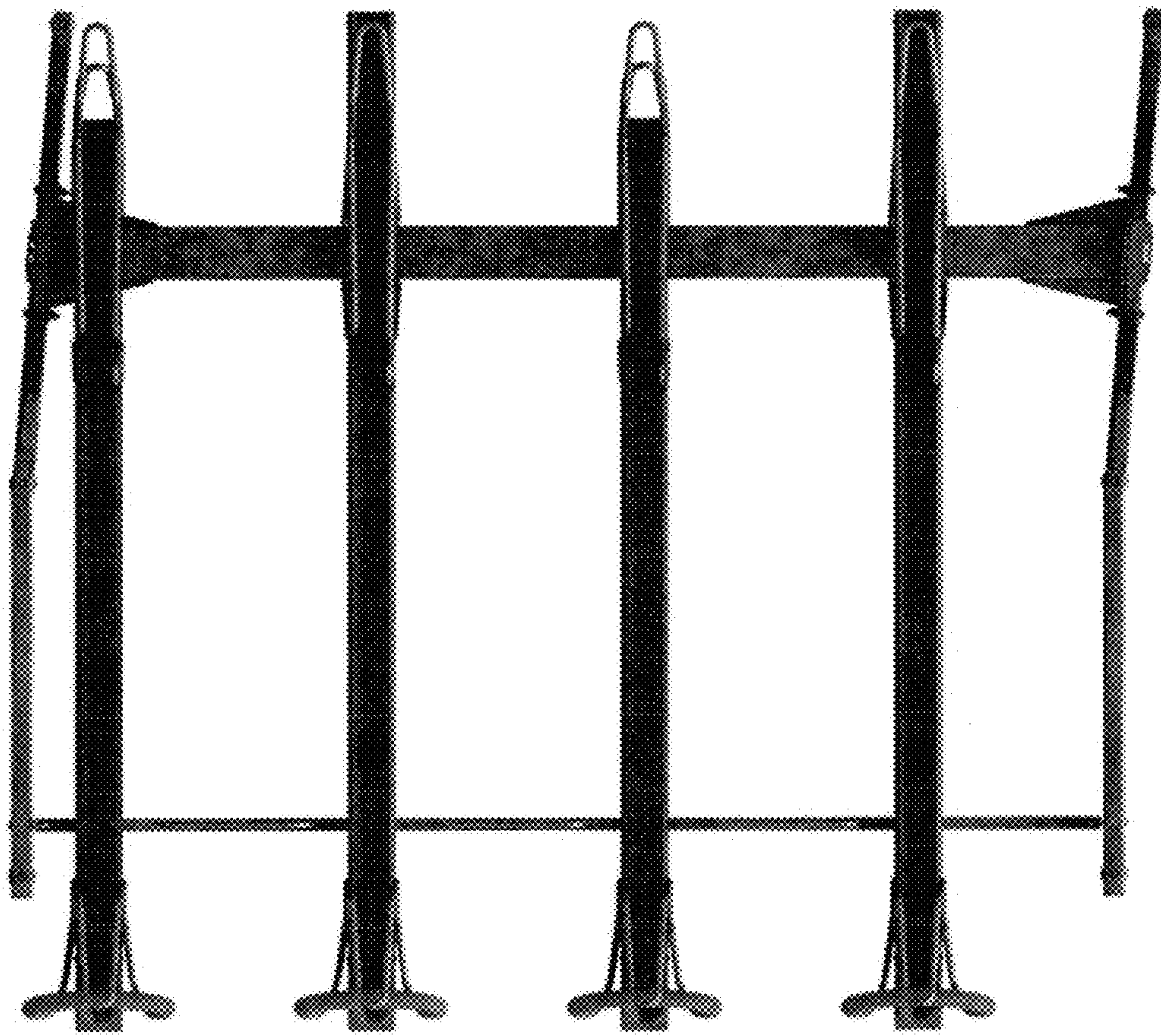


FIG. 4.5