



US00D826098S

(12) **United States Design Patent** (10) **Patent No.:** **US D826,098 S**
Armigliato et al. (45) **Date of Patent:** **** Aug. 21, 2018**

(54) **VEHICLE**

(71) Applicant: **IVECO S.p.A.**, Turin (IT)
(72) Inventors: **Marco Armigliato**, Turin (IT); **Raffaele Vergano**, Cambiano (IT); **Giampiero Vietti Niclot**, Caselle Torinese (IT); **David Melvin Wilkie**, Turin (IT); **Alessandro Bernardini**, Genoa (IT)

(73) Assignee: **IVECO S.P.A.**, Turin (IT)

(**) Term: **15 Years**

(21) Appl. No.: **29/597,339**

(22) Filed: **Mar. 16, 2017**

(30) **Foreign Application Priority Data**

Sep. 19, 2016 (EM) 003384890-0004

(51) **LOC (11) Cl.** **12-16**

(52) **U.S. Cl.**
USPC **D12/93**

(58) **Field of Classification Search**
USPC D12/93, 96, 97, 99, 102; D21/424, 434, D21/581

CPC B62D 35/00; B62D 35/001
See application file for complete search history.

(56) **References Cited**

U.S. PATENT DOCUMENTS

D291,674 S *	9/1987	Smith	D12/96
D626,890 S *	11/2010	Cantemir	D12/12
D645,380 S *	9/2011	Beigel	D12/93
D650,722 S *	12/2011	Marchi	D12/93
D651,136 S *	12/2011	Stimel, Jr.	D12/96
D719,879 S *	12/2014	Ito	D12/96
D757,604 S *	5/2016	Joren	D12/36
2012/0056444 A1 *	3/2012	Stimel	B62D 25/186 296/180.2
2013/0127205 A1 *	5/2013	Jaynes	B62D 25/06 296/190.1
2014/0232133 A1 *	8/2014	He	B62D 35/001 296/180.2
2018/0001942 A1 *	1/2018	Milton	B62D 35/001

FOREIGN PATENT DOCUMENTS

EP	1870320	12/2007
EP	1870321	12/2007
EP	1870322	12/2007

OTHER PUBLICATIONS

<http://autodesigntmagazine.com/en/2017/01/iveco-z-truck-un-manifesto-futuro/> Uploaded Jan. 15, 2017 (Year: 2017).*

* cited by examiner

Primary Examiner — Susan Bennett Hattan

Assistant Examiner — Leanne Was-Englehart

(74) *Attorney, Agent, or Firm* — Stetina Brunda Garred and Brucker

(57) **CLAIM**

The ornamental design for a vehicle, as shown and described.

DESCRIPTION

FIG. 1 is a front perspective view of the vehicle of the present invention showing our new design; FIG. 2 is a front view thereof; FIG. 3 is a rear view thereof; FIG. 4 is a left side view thereof; FIG. 5 is a right side view thereof; FIG. 6 is a top plan view thereof; and, FIG. 7 is a bottom view thereof. The broken line of the underside of the vehicle, the broken line of the portion of the rear of the vehicle, the broken line on the portion of the left side of the vehicle, and the broken line on the portion of the right side of the vehicle are for illustrative purposes only and form no part of the claimed design.

1 Claim, 7 Drawing Sheets

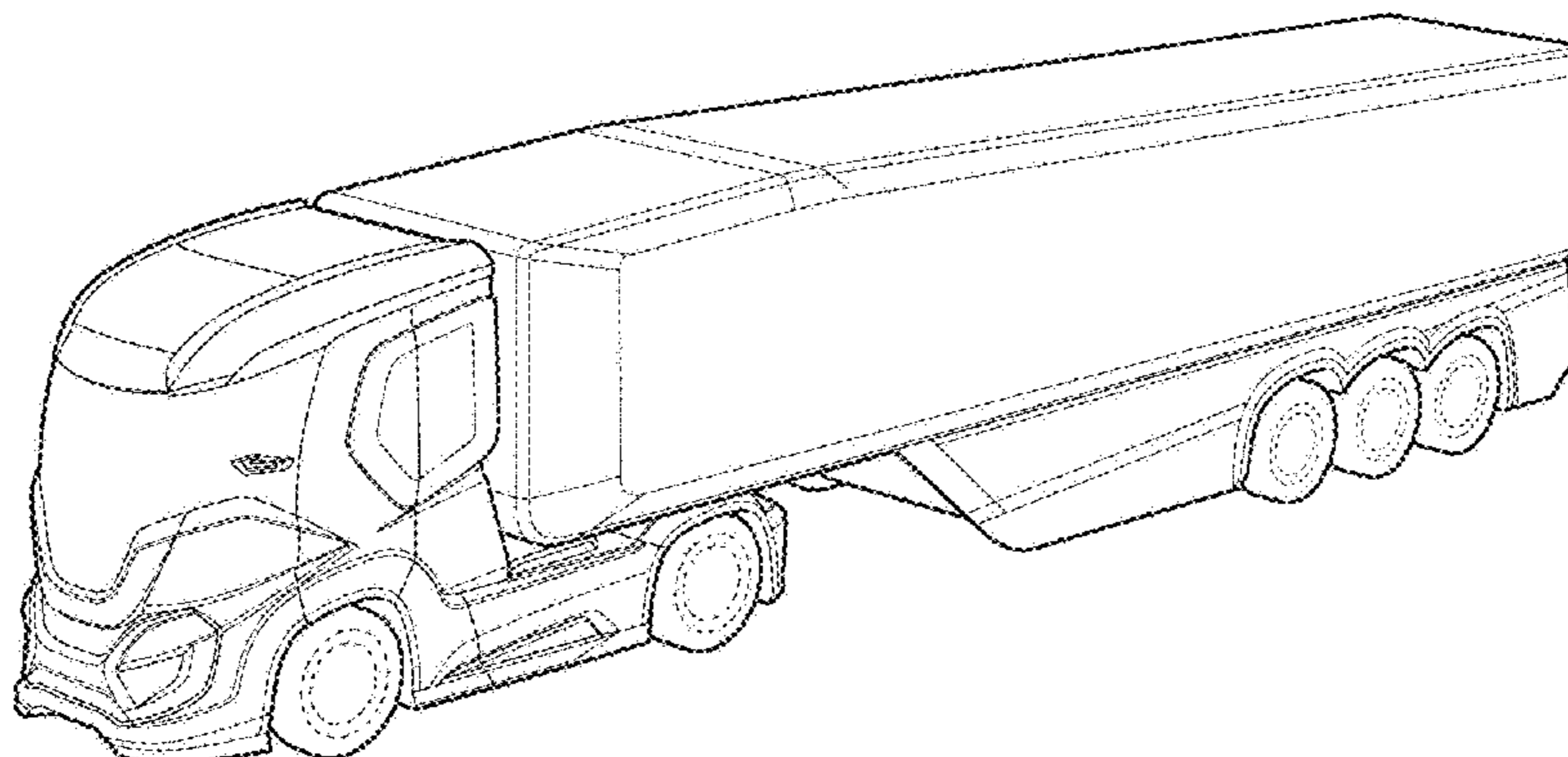


FIG. 1

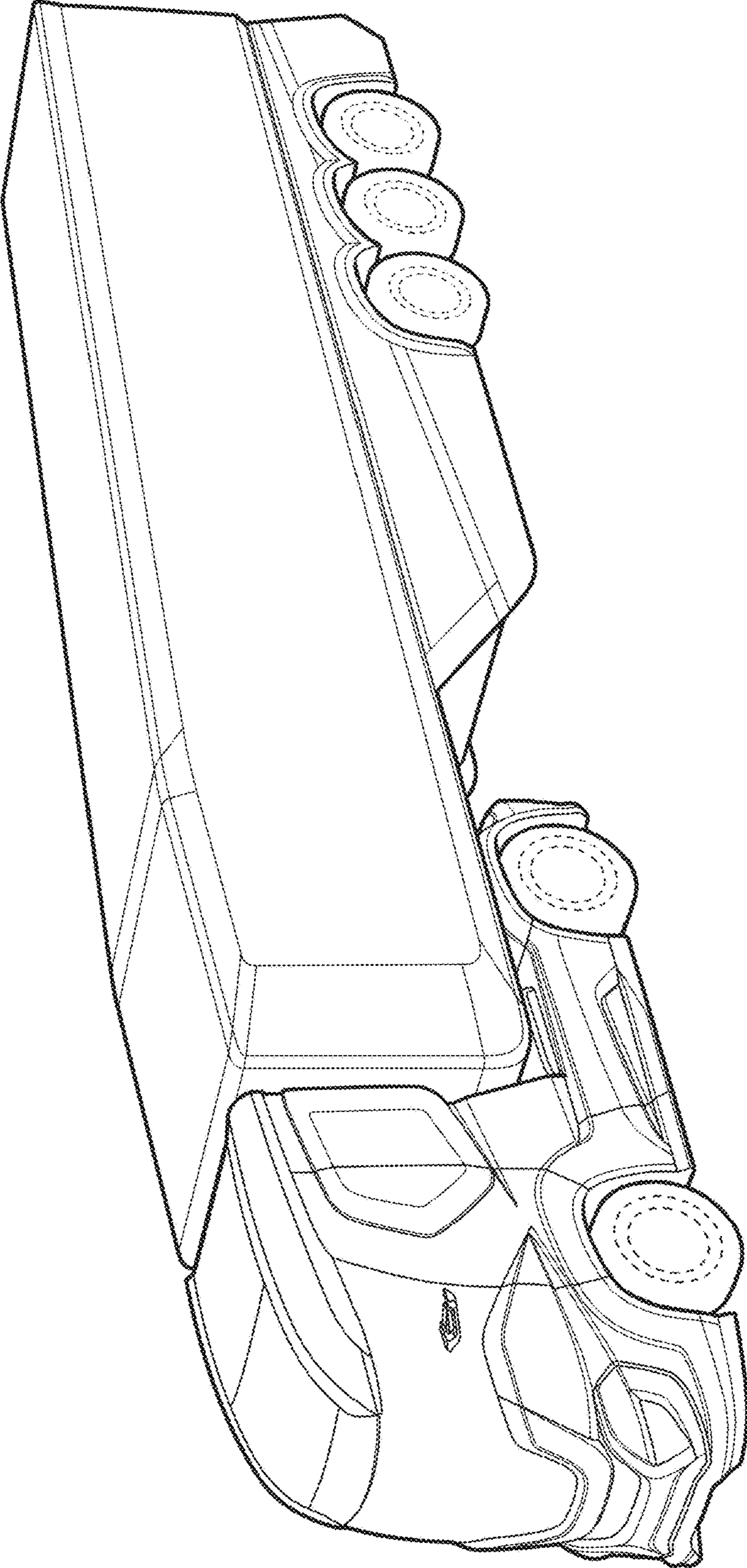


FIG. 2

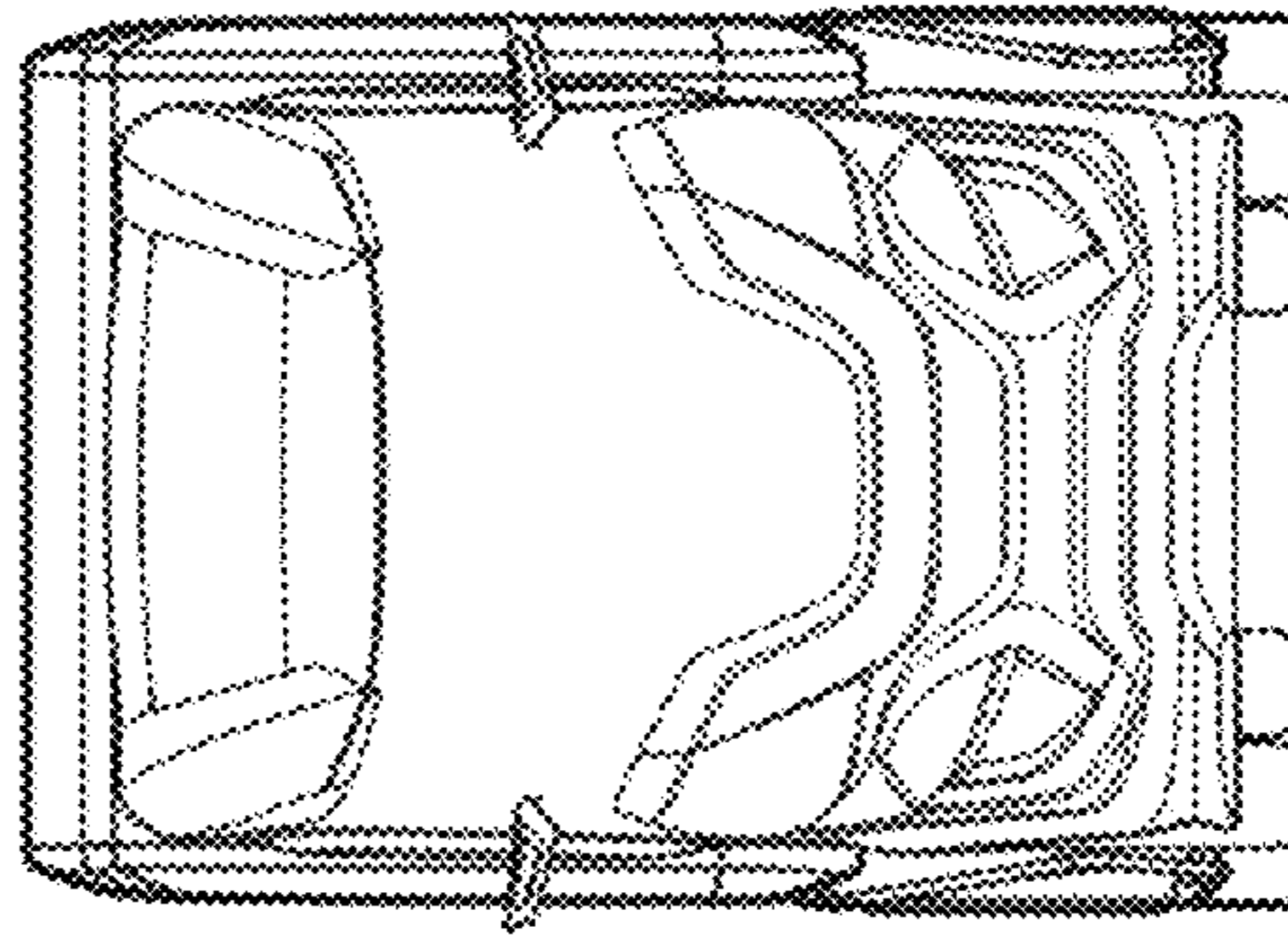


FIG. 3

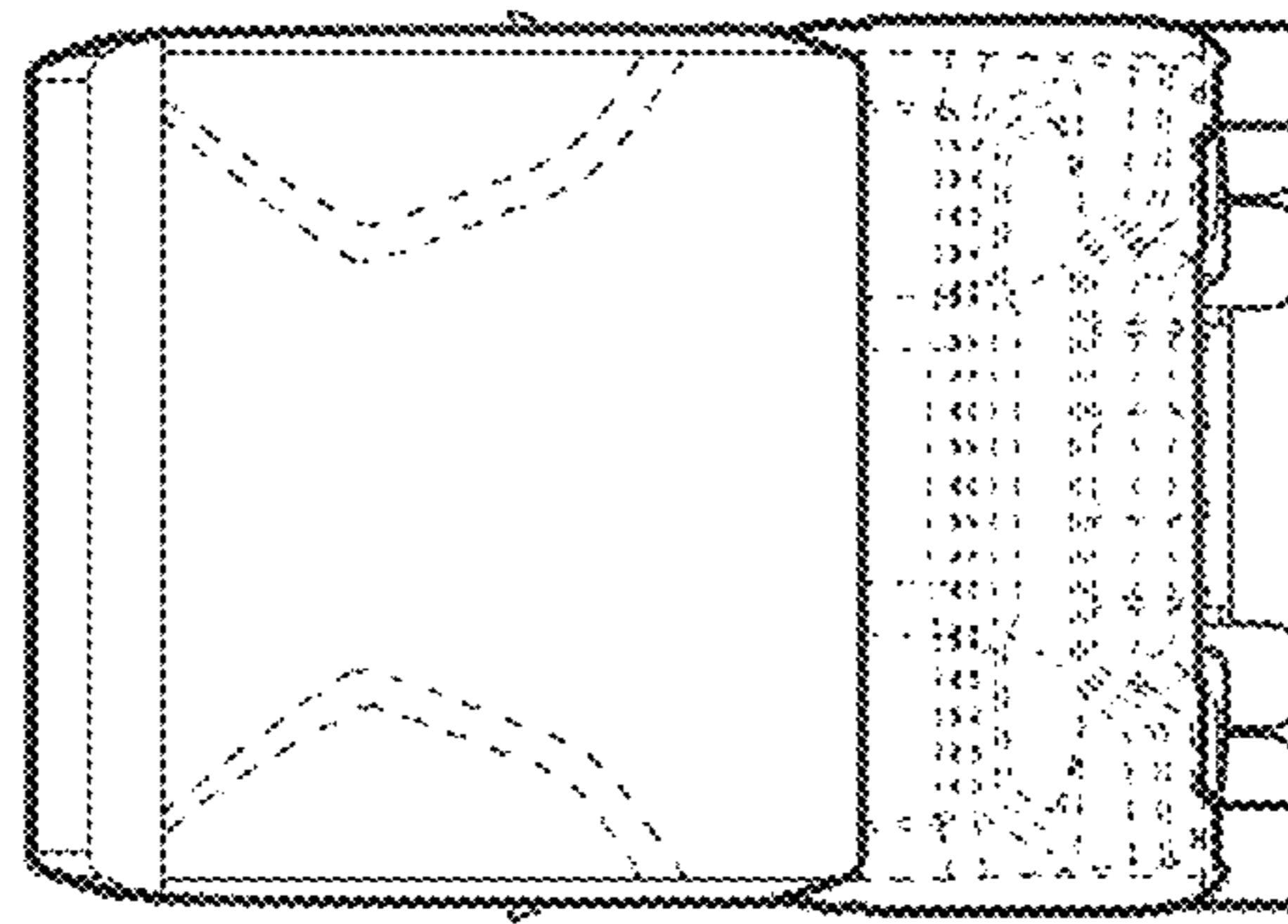


FIG. 4

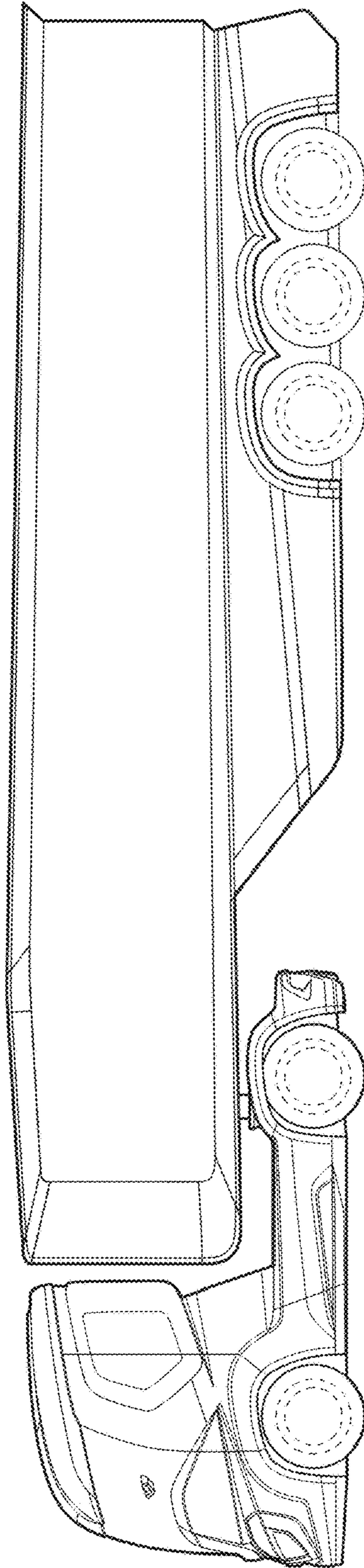


FIG. 5

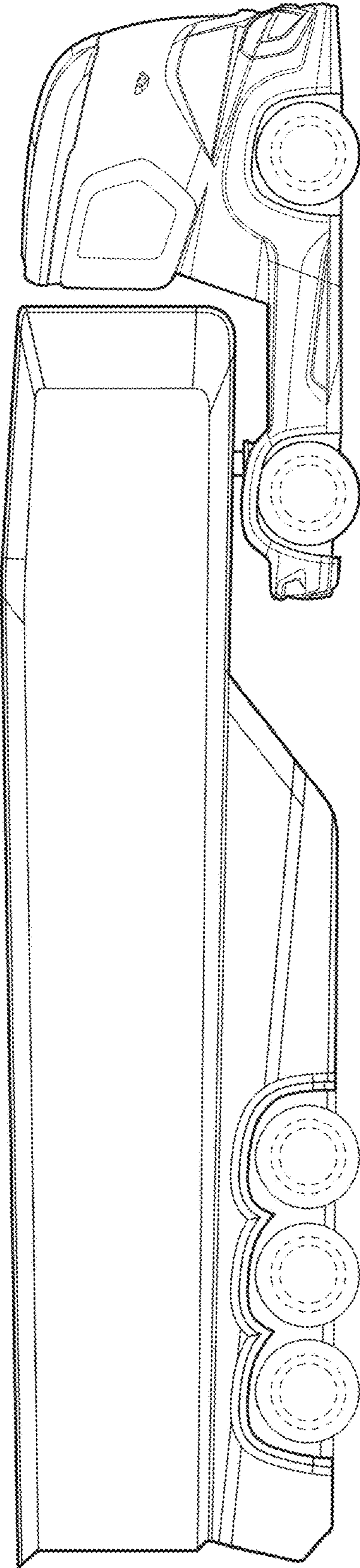


FIG. 6

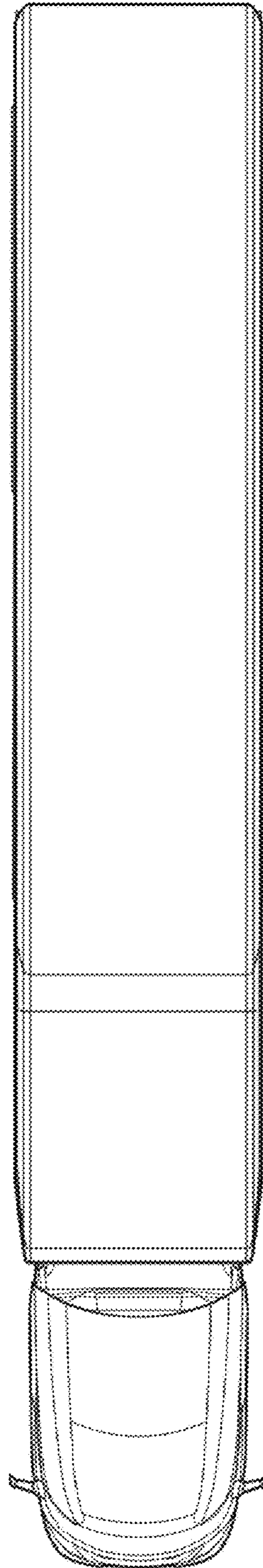


FIG. 7

