



US00D826097S

(12) **United States Design Patent** (10) **Patent No.:** **US D826,097 S**  
**Ito et al.** (45) **Date of Patent:** **\*\* Aug. 21, 2018**

(54) **TRUCK VEHICLE**

(71) Applicant: **International Truck Intellectual Property Company, LLC**, Lisle, IL (US)

(72) Inventors: **Chris Ito**, Sugar Grove, IL (US); **Glen Joel Durmisevich**, Rochester Hills, MI (US); **Christian Michael Hardin**, Waterford, MI (US); **David James Olsen**, Aurora, IL (US)

(73) Assignee: **International Truck Intellectual Property Company, LLC**, Lisle, IL (US)

(\*\*) Term: **15 Years**

(21) Appl. No.: **29/544,148**

(22) Filed: **Oct. 30, 2015**

(51) **LOC (11) Cl.** ..... **12-08**

(52) **U.S. Cl.**  
USPC ..... **D12/93; D12/96**

(58) **Field of Classification Search**  
USPC ..... D12/93-102  
CPC ..... B62D 53/06; B62D 25/10; B62D 65/02;  
B62D 25/06; B62D 25/12; B60Q 1/00  
See application file for complete search history.

(56) **References Cited**

**U.S. PATENT DOCUMENTS**

|              |         |                  |         |
|--------------|---------|------------------|---------|
| D305,746 S * | 1/1990  | Allendorph ..... | D12/96  |
| D307,731 S * | 5/1990  | Kerney .....     | D12/96  |
| D307,878 S * | 5/1990  | Lechner .....    | D12/96  |
| D391,908 S * | 3/1998  | Allendorph ..... | D12/173 |
| D394,026 S * | 5/1998  | Hellhake .....   | D12/96  |
| D394,624 S * | 5/1998  | Allendorph ..... | D12/173 |
| D399,791 S * | 10/1998 | Hellhake .....   | D12/96  |
| D399,792 S * | 10/1998 | Hellhake .....   | D12/96  |
| D401,198 S * | 11/1998 | Mueller .....    | D12/173 |

|                |        |                    |                        |
|----------------|--------|--------------------|------------------------|
| D406,552 S *   | 3/1999 | Hellhake .....     | D12/93                 |
| D406,553 S *   | 3/1999 | Hellhake .....     | D12/96                 |
| D411,140 S *   | 6/1999 | Meryman .....      | D12/96                 |
| D423,990 S *   | 5/2000 | Meryman .....      | D12/96                 |
| D437,258 S *   | 2/2001 | Meryman .....      | D12/96                 |
| D437,570 S *   | 2/2001 | Meryman .....      | D12/96                 |
| 6,230,832 B1 * | 5/2001 | von Mayenburg .... | B60K 11/08<br>180/68.1 |

|              |         |                        |         |
|--------------|---------|------------------------|---------|
| D445,361 S   | 7/2001  | Tirey et al.           |         |
| D460,023 S   | 7/2002  | Beigel                 |         |
| D462,036 S * | 8/2002  | Mondragon Sarmiento .. | D12/96  |
| D466,450 S * | 12/2002 | Maher .....            | D12/173 |
| D489,649 S * | 5/2004  | Satou .....            | D12/96  |

(Continued)

**OTHER PUBLICATIONS**

International Trucks, announced Jul. 15, 2016 [online], [site visited Aug. 31, 2016]. Available from internet, URL: <https://www.internationaltrucks.com/trucks>.\*

(Continued)

*Primary Examiner* — Keli L Hill

*Assistant Examiner* — Karra S Johnson

(74) *Attorney, Agent, or Firm* — Jeffrey P. Calfa; Mark C. Bach

(57) **CLAIM**

The ornamental design for a truck vehicle, as shown and described.

**DESCRIPTION**

FIG. 1 is an isometric view of a truck vehicle showing our new design;

FIG. 2 is a top plan view of FIG. 1;

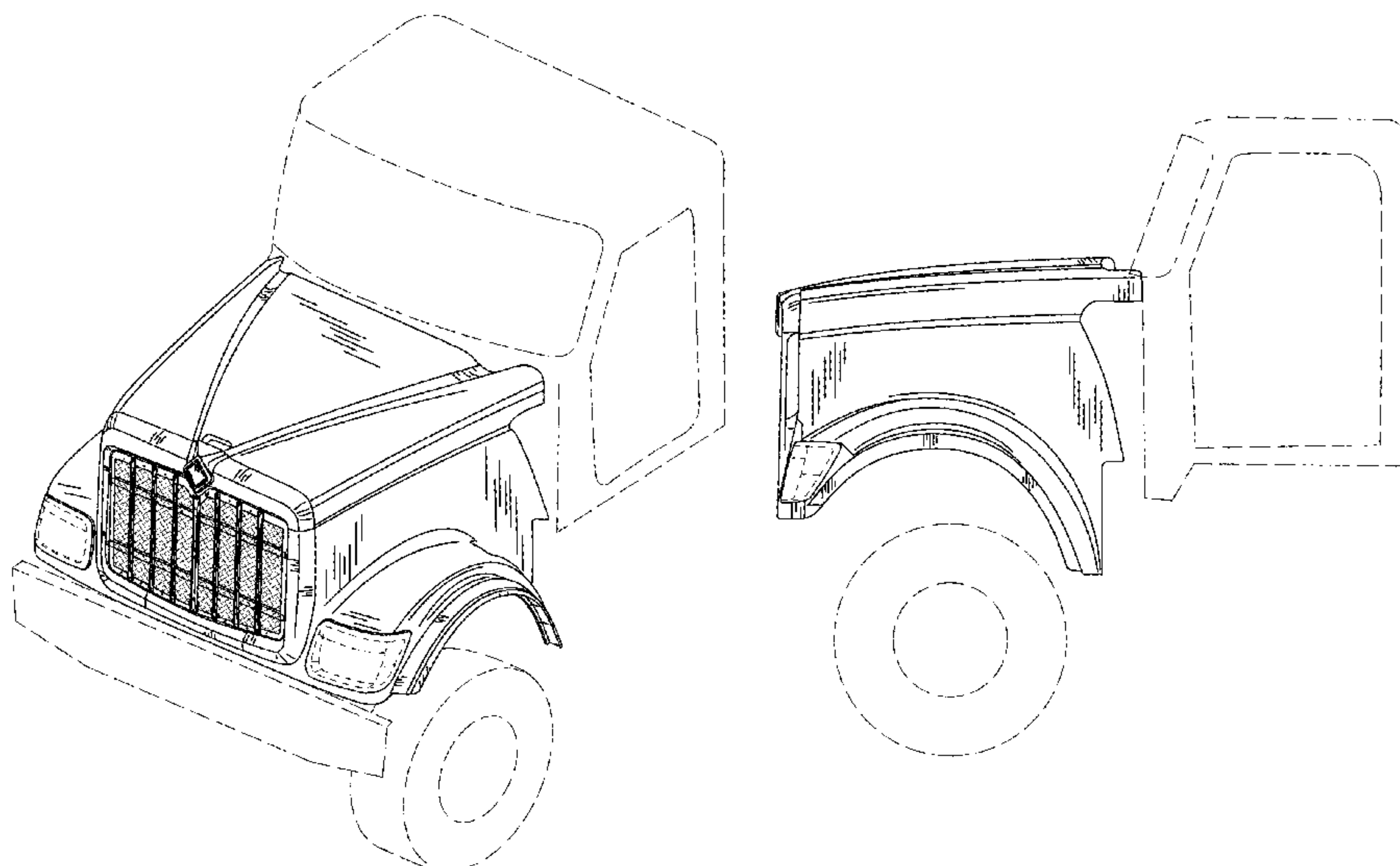
FIG. 3 is a left side view of FIG. 1;

FIG. 4 is a right side view of FIG. 1; and,

FIG. 5 is a front view of FIG. 1.

The broken lines showing environmental portions and features of the truck vehicle form no part of the claimed design.

**1 Claim, 5 Drawing Sheets**



(56)

References Cited

U.S. PATENT DOCUMENTS

D490,749 S \* 6/2004 Satou ..... D12/96  
 D537,761 S \* 3/2007 Beigel ..... D12/173  
 D539,704 S \* 4/2007 Angelo ..... D12/96  
 D542,715 S 5/2007 Beigel et al.  
 D545,735 S \* 7/2007 Angelo ..... D12/173  
 D558,643 S 1/2008 Beigel et al.  
 D563,281 S \* 3/2008 Simons ..... D12/173  
 D566,009 S 4/2008 Beigel et al.  
 D621,754 S \* 8/2010 Angelo ..... D12/173  
 D622,188 S \* 8/2010 Angelo ..... D12/96  
 D632,224 S \* 2/2011 Peltola ..... D12/173  
 D634,244 S 3/2011 Aris et al.  
 D645,380 S 9/2011 Beigel et al.  
 D703,105 S 4/2014 Riggs et al.  
 D707,161 S \* 6/2014 Peltola ..... D12/173  
 D711,786 S \* 8/2014 Brzustowicz ..... D12/96  
 D711,787 S \* 8/2014 Brzustowicz ..... D12/96  
 D711,788 S \* 8/2014 Brzustowicz ..... D12/96  
 D719,879 S 12/2014 Ito et al.  
 D738,273 S \* 9/2015 Hanson ..... D12/173  
 D738,274 S \* 9/2015 Hanson ..... D12/173  
 D743,308 S \* 11/2015 Hanson ..... D12/173  
 D758,253 S \* 6/2016 Brzustowicz ..... D12/96  
 D778,216 S \* 2/2017 Ito ..... D12/173  
 D778,217 S \* 2/2017 Ito ..... D12/173  
 D784,870 S \* 4/2017 Ito ..... D12/173  
 9,624,893 B2 \* 4/2017 Falaise ..... F02N 11/0818  
 D786,742 S \* 5/2017 Ito ..... D12/163  
 D787,384 S \* 5/2017 Ito ..... D12/163  
 D799,380 S \* 10/2017 Cosme ..... D12/96  
 D803,101 S \* 11/2017 Ito ..... D12/93  
 D803,114 S \* 11/2017 Ito ..... D12/173  
 9,822,560 B2 \* 11/2017 Wilkens ..... E05B 79/02

D804,373 S \* 12/2017 Ito ..... D12/173  
 D813,728 S \* 3/2018 Ito ..... D12/93  
 2006/0226669 A1 \* 10/2006 Tong ..... B60P 3/32  
 296/24.3  
 2007/0199751 A1 \* 8/2007 Bradley ..... B60K 11/085  
 180/68.1  
 2008/0231079 A1 \* 9/2008 Grady ..... B62D 35/001  
 296/191  
 2011/0089716 A1 \* 4/2011 Hall ..... B62D 25/12  
 296/180.2  
 2013/0025954 A1 \* 1/2013 Miller ..... B62D 25/10  
 180/69.21  
 2013/0127205 A1 \* 5/2013 Jaynes ..... B62D 25/06  
 296/190.1  
 2013/0199863 A1 8/2013 Robbins  
 2017/0182948 A1 \* 6/2017 Cunagin ..... B60R 9/06

OTHER PUBLICATIONS

Day Cab Semi Trucks for Sale, announced Nov. 30, 2011 [online], [site visited Sep. 1, 2016]. Available from internet, URL: <<https://conventionaldaycabtrucks.wordpress.com/>>.\*  
 Things to Look for when Buying a Used Semi Truck, announced Dec. 3, 2014 [online], [site visited Sep. 1, 2016]. Available from Internet, URL: <<http://www.ddtrucksonline.com/blog/m.blog/60/things-to-look-for-when-buying-a-used-semi-truck>>.\*  
 Used Tractors for Sale from AmeriQuest, announced Mar. 21, 2016 [online], [site visited Sep. 1, 2016]. Available from internet, URL: <<http://www.ameriquescorp.com/transportation/services/used-trucks/search-inventory/results-used-trucks.aspx?vehicletype=tractors&cabtype=daycabtractor&rearaxles=tandem>>.\*

\* cited by examiner

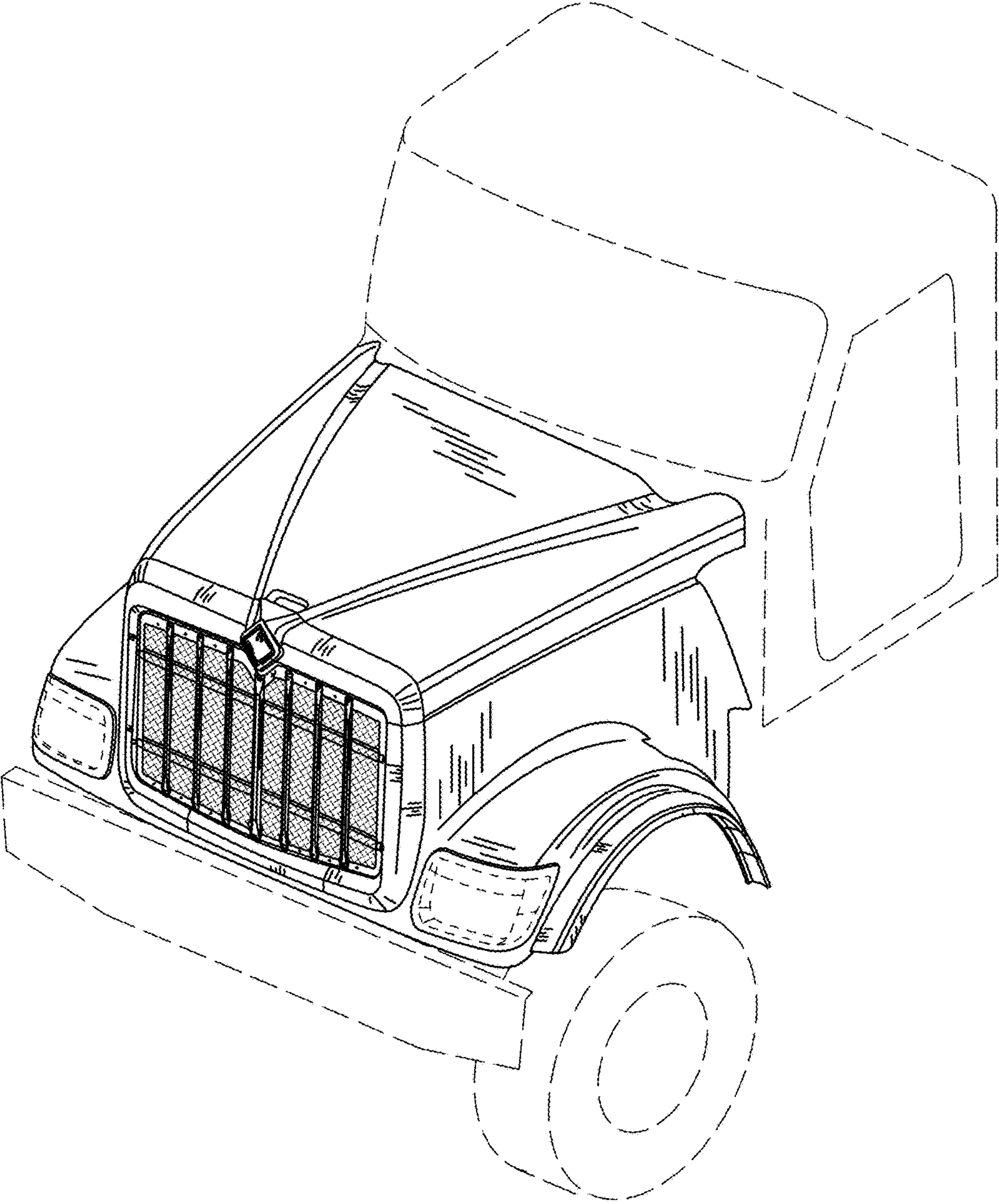


FIG.1



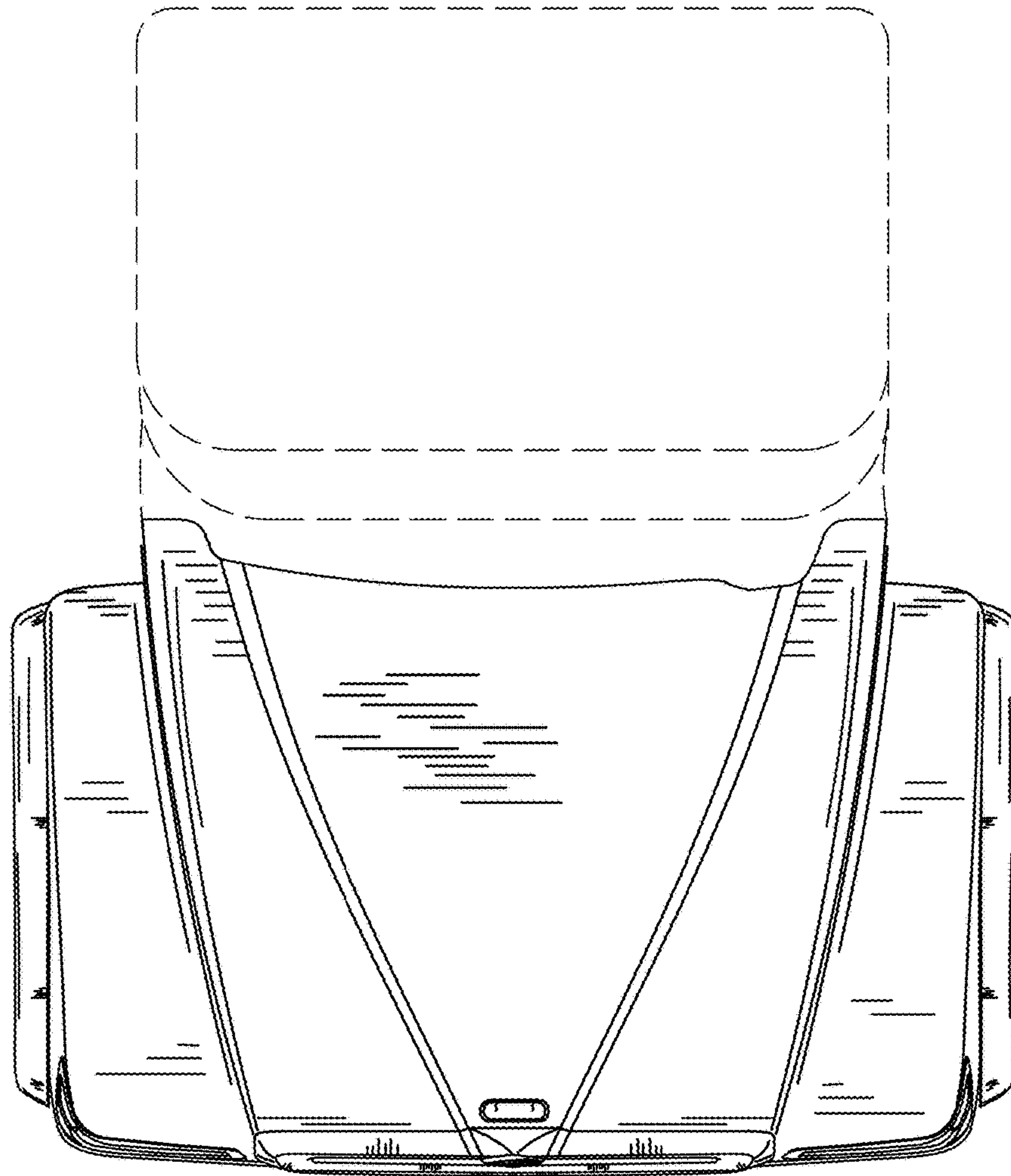


FIG.2

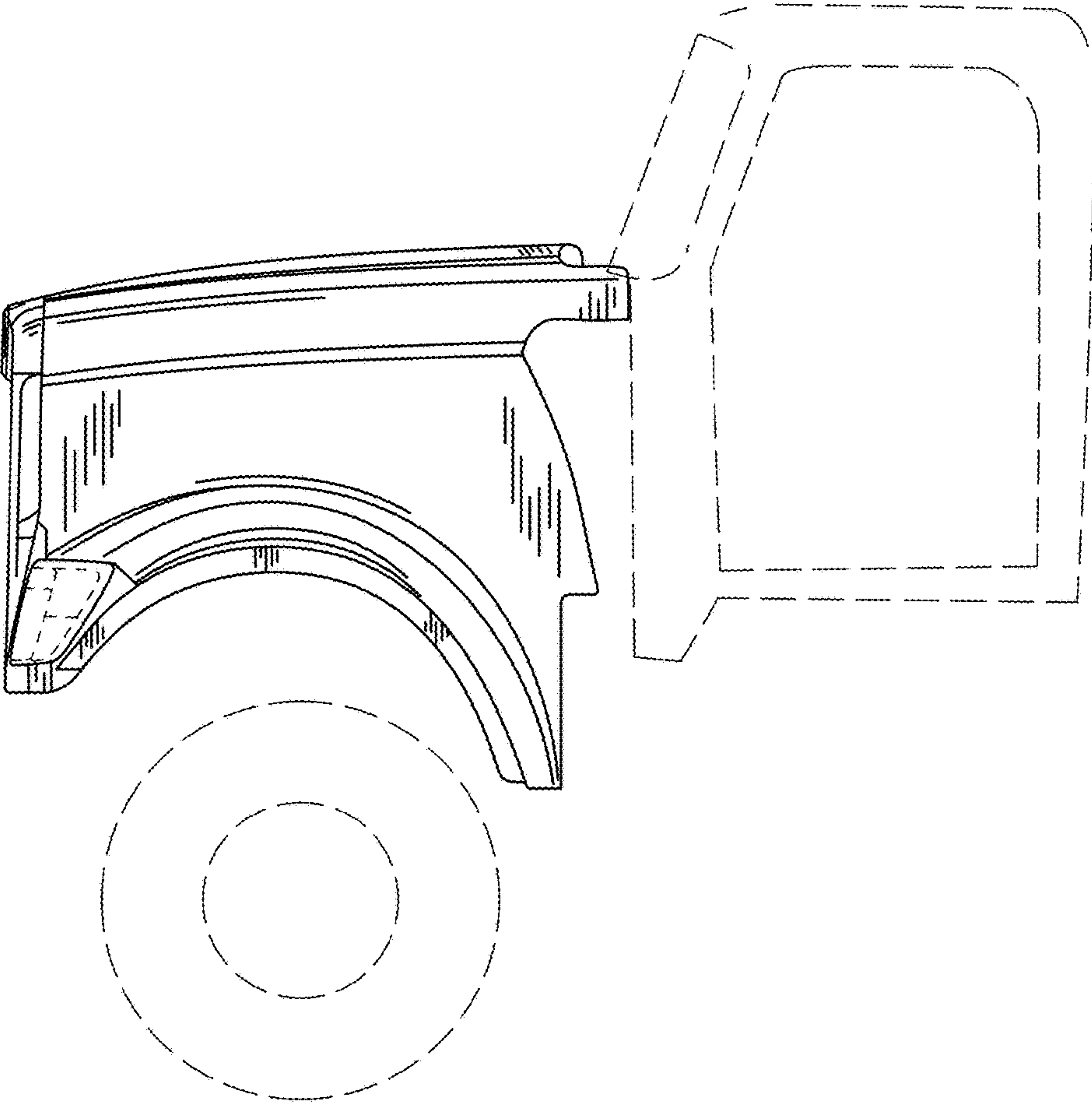


FIG.3

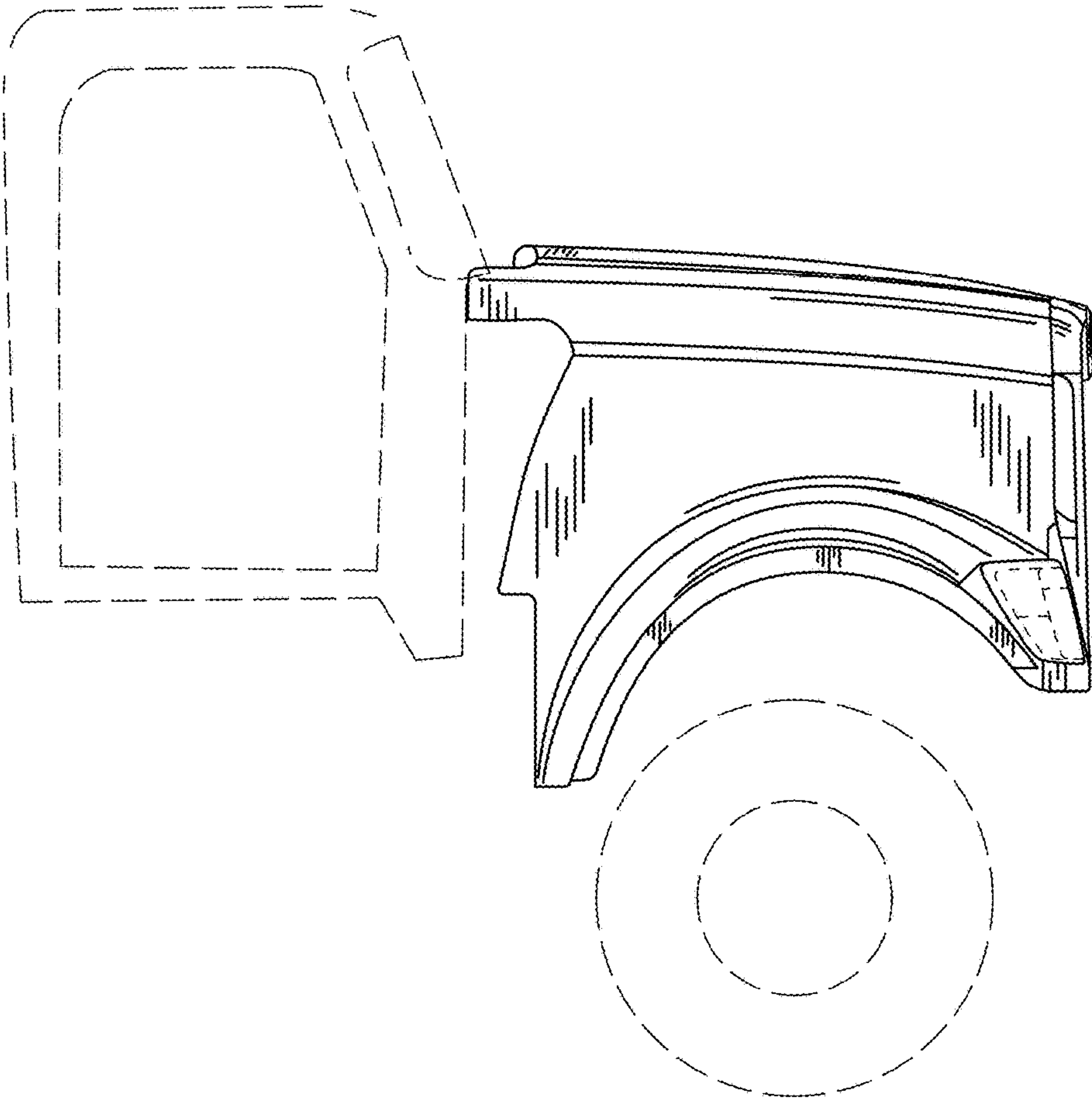


FIG.4

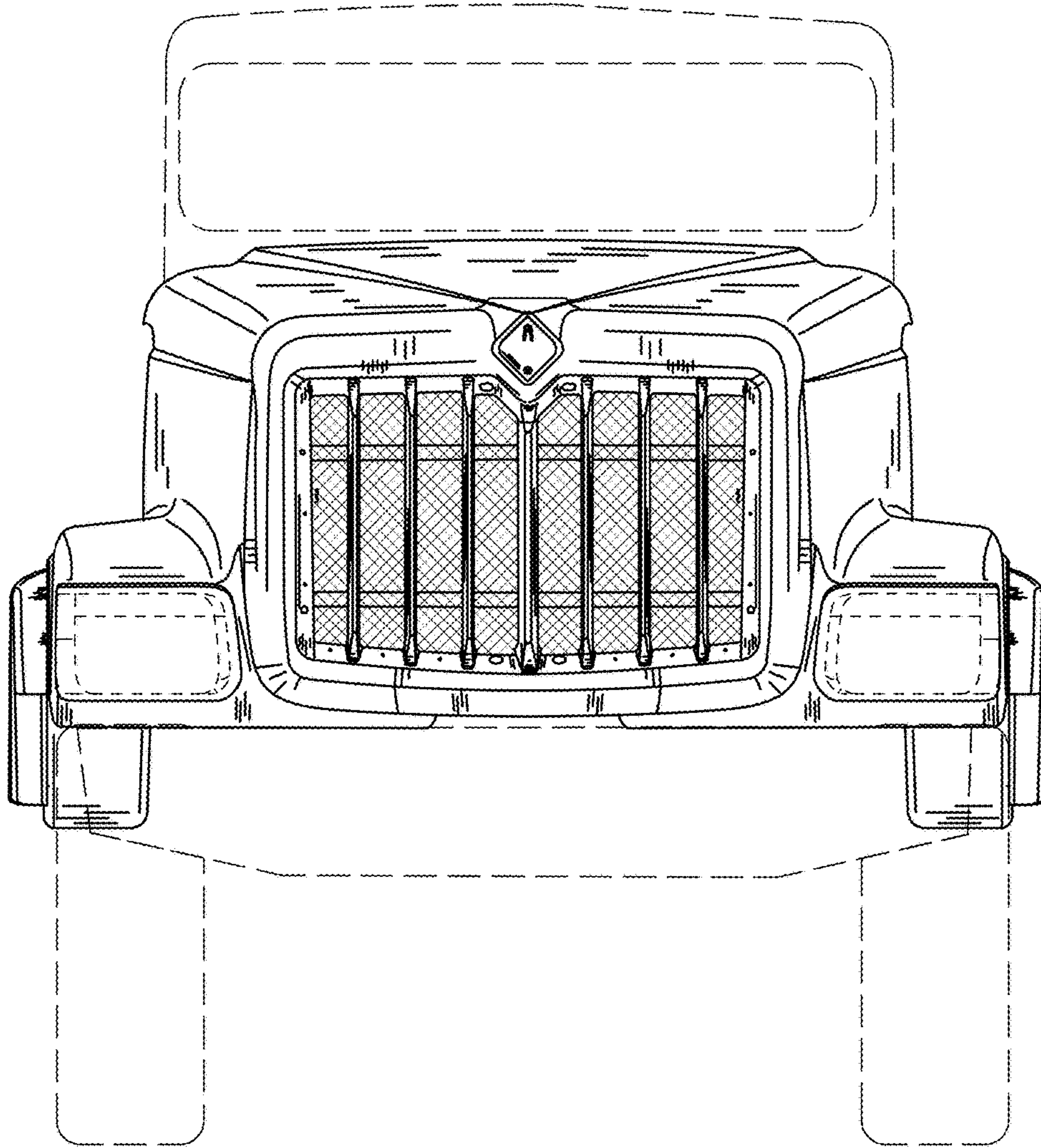


FIG. 5