



US00D826096S

(12) **United States Design Patent**
Ito et al.

(10) **Patent No.:** **US D826,096 S**

(45) **Date of Patent:** **** Aug. 21, 2018**

(54) **TRUCK VEHICLE**

(71) Applicant: **International Truck Intellectual Property Company, LLC**, Lisle, IL (US)

(72) Inventors: **Chris Ito**, Sugar Grove, IL (US); **Glen Joel Durmisevich**, Rochester Hills, MI (US); **Christian Michael Hardin**, Waterford, MI (US)

(73) Assignee: **International Truck Intellectual Property Company, LLC**, Lisle, IL (US)

(**) Term: **15 Years**

(21) Appl. No.: **29/544,132**

(22) Filed: **Oct. 30, 2015**

(51) **LOC (11) Cl.** **12-08**

(52) **U.S. Cl.**
USPC **D12/93; D12/96**

(58) **Field of Classification Search**
USPC D12/93-102
CPC B62D 53/06; B62D 25/10; B62D 65/02;
B62D 25/06; B62D 25/12; B60Q 1/00
See application file for complete search history.

(56) **References Cited**

U.S. PATENT DOCUMENTS

D305,746 S *	1/1990	Allendorph	D12/96
D307,731 S *	5/1990	Kerney	D12/96
D307,878 S *	5/1990	Lechner	D12/96
D391,908 S *	3/1998	Allendorph	D12/173
D394,026 S *	5/1998	Hellhake	D12/96
D394,624 S *	5/1998	Allendorph	D12/173
D399,791 S *	10/1998	Hellhake	D12/96
D399,792 S *	10/1998	Hellhake	D12/96
D401,198 S *	11/1998	Mueller	D12/173
D406,552 S *	3/1999	Hellhake	D12/93
D406,553 S *	3/1999	Hellhake	D12/96

D411,140 S *	6/1999	Meryman	D12/96
D423,990 S *	5/2000	Meryman	D12/96
D437,258 S *	2/2001	Meryman	D12/96
D437,570 S *	2/2001	Meryman	D12/96
6,230,832 B1 *	5/2001	von Mayenburg	B60K 11/08 180/68.1

D445,361 S	7/2001	Tirey et al.		
D460,023 S	7/2002	Beigel		

(Continued)

OTHER PUBLICATIONS

International Trucks, announced Jul. 15, 2016 [online], [site visited Aug. 31, 2016]. Available from internet, URL: <<https://www.internationaltrucks.com/trucks>>.*

(Continued)

Primary Examiner — Keli L Hill

Assistant Examiner — Karra S Johnson

(74) *Attorney, Agent, or Firm* — Jeffrey P. Calfa; Mark C. Bach

(57) **CLAIM**

The ornamental design for a truck vehicle, as shown and described.

DESCRIPTION

FIG. 1 is an isometric view of a truck vehicle showing our new design;

FIG. 2 is a top plan view thereof;

FIG. 3 is a left side view thereof;

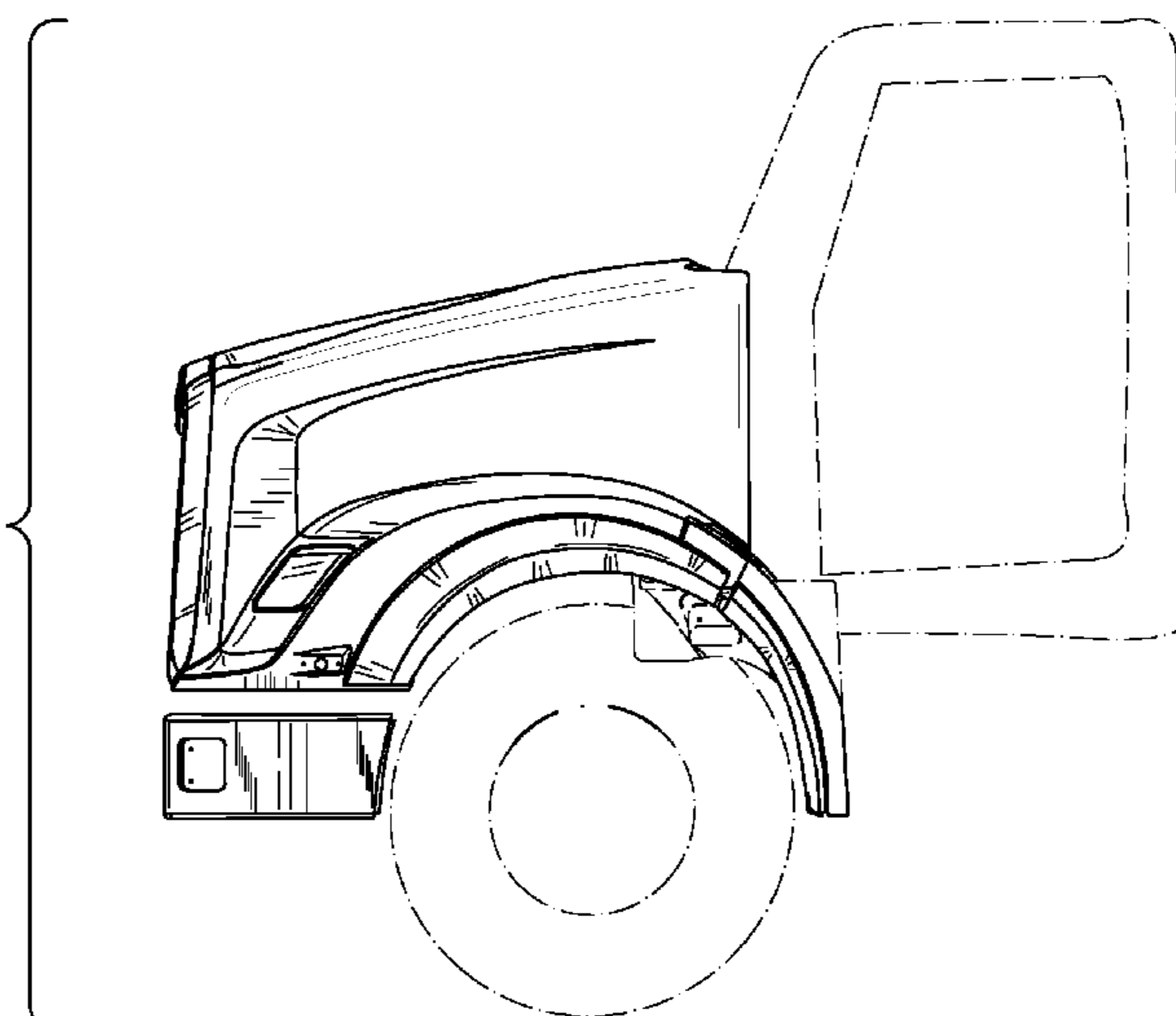
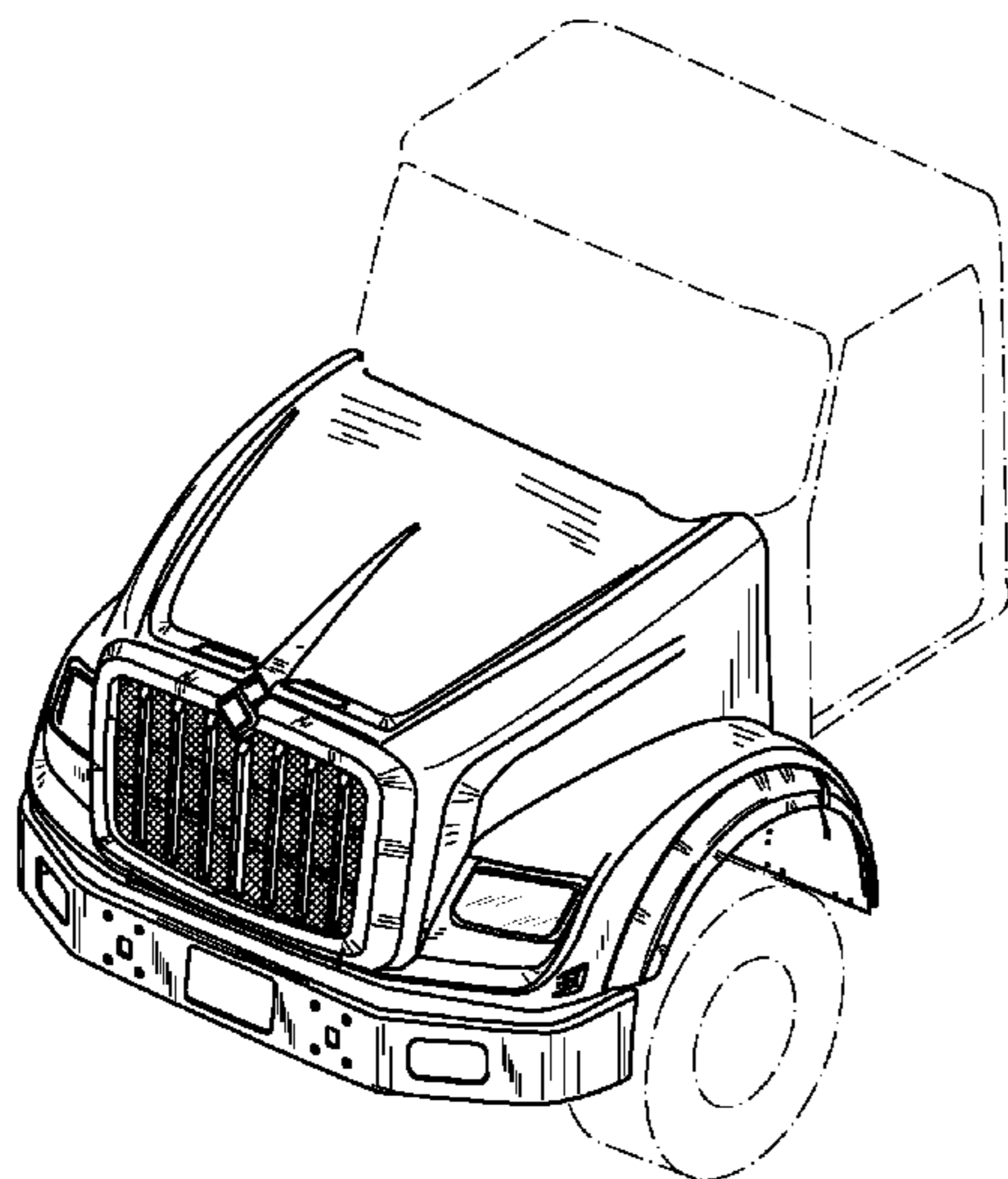
FIG. 4 is a right side view thereof;

FIG. 5 is a front view of FIG. 1; and,

FIG. 6 is a back view of FIG. 1.

The broken lines shown are included for the purpose of illustrating portions of the truck vehicle that form no part of the claim. In FIG. 6, the components visible on the left, right, top, and bottom sides of the grille feature, and additional components existing above the fender feature on the left and right sides, form no part of the claim.

1 Claim, 6 Drawing Sheets



(56)

References Cited

U.S. PATENT DOCUMENTS

D462,036 S * 8/2002 Mondragon Sarmiento .. D12/96
 D466,450 S * 12/2002 Maher D12/173
 D489,649 S * 5/2004 Satou D12/96
 D490,749 S * 6/2004 Satou D12/96
 D537,761 S * 3/2007 Beigel D12/173
 D539,704 S * 4/2007 Angelo D12/96
 D542,715 S 5/2007 Beigel et al.
 D545,735 S * 7/2007 Angelo D12/173
 D558,643 S 1/2008 Beigel et al.
 D563,281 S * 3/2008 Simons D12/173
 D566,009 S 4/2008 Beigel et al.
 D621,754 S * 8/2010 Angelo D12/173
 D622,188 S * 8/2010 Angelo D12/96
 D632,224 S * 2/2011 Peltola D12/173
 D634,244 S 3/2011 Aris et al.
 D645,380 S 9/2011 Beigel et al.
 D703,105 S 4/2014 Riggs et al.
 D707,161 S * 6/2014 Peltola D12/173
 D711,786 S * 8/2014 Brzustowicz D12/96
 D711,787 S * 8/2014 Brzustowicz D12/96
 D711,788 S * 8/2014 Brzustowicz D12/96
 D719,879 S 12/2014 Ito et al.
 D738,273 S * 9/2015 Hanson D12/173
 D738,274 S * 9/2015 Hanson D12/173
 D743,308 S * 11/2015 Hanson D12/173
 D758,253 S * 6/2016 Brzustowicz D12/96
 D778,216 S * 2/2017 Ito D12/173
 D778,217 S * 2/2017 Ito D12/173
 D784,870 S * 4/2017 Ito D12/173
 9,624,893 B2 * 4/2017 Falaise F02N 11/0818
 D786,742 S * 5/2017 Ito D12/163
 D787,384 S * 5/2017 Ito D12/163
 D799,380 S * 10/2017 Cosme D12/96
 D803,101 S * 11/2017 Ito D12/93

D803,114 S * 11/2017 Ito D12/173
 9,822,560 B2 * 11/2017 Wilkens E05B 79/02
 D804,373 S * 12/2017 Ito D12/173
 D813,728 S * 3/2018 Ito D12/93
 2006/0226669 A1 * 10/2006 Tong B60P 3/32
 296/24.3
 2007/0199751 A1 * 8/2007 Bradley B60K 11/085
 180/68.1
 2008/0231079 A1 * 9/2008 Grady B62D 35/001
 296/191
 2011/0089716 A1 * 4/2011 Hall B62D 25/12
 296/180.2
 2013/0025954 A1 * 1/2013 Miller B62D 25/10
 180/69.21
 2013/0127205 A1 * 5/2013 Jaynes B62D 25/06
 296/190.1
 2013/0199863 A1 8/2013 Robbins
 2017/0182948 A1 * 6/2017 Cunagin B60R 9/06

OTHER PUBLICATIONS

Day Cab Semi Trucks For Sale, announced Nov. 30, 2011 [online], [site visited Sep. 1, 2016]. Available from internet, URL: <<https://conventionaldaycabtrucks.wordpress.com/>>.*
 Things to Look For when Buying a Used Semi Truck, announced Dec. 3, 2014 [online], [site visited Sep. 1, 2016]. Available from Internet, URL: <<http://www.ddtrucksonline.com/blog/m.blog/60/things-to-look-for-when-buying-a-used-semi-truck>>.*
 Used Tractors for Sale from AmeriQuest, announced Mar. 21, 2016 [online], [site visited Sep. 1, 2016]. Available from internet, URL: <<http://www.ameriquescorp.com/transportation/services/used-trucks/search-inventory/results-used-trucks.aspx?vehicletype=tractors&cabtype=daycabtractor&rearaxles=tandem>>.*

* cited by examiner

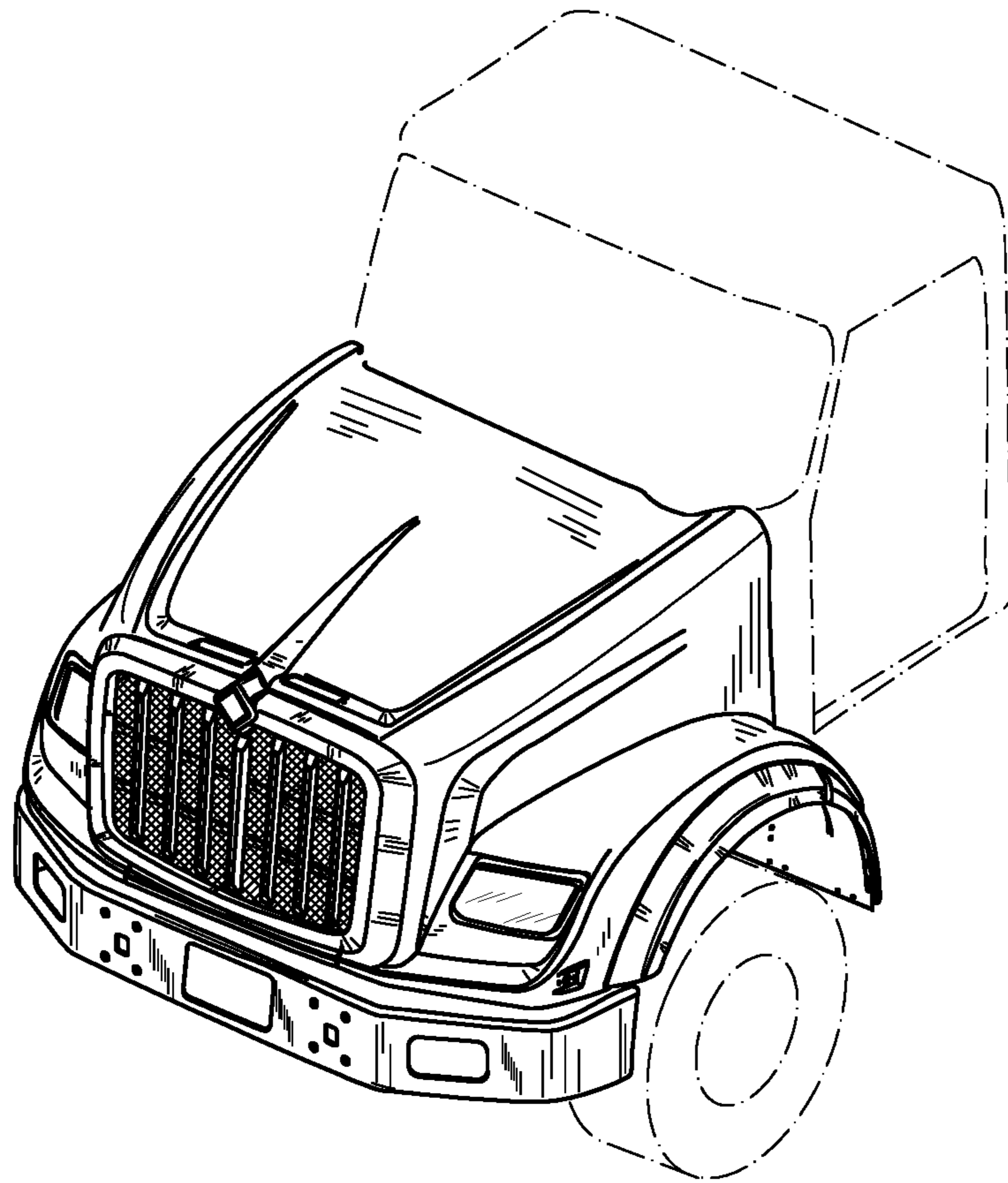


FIG. 1

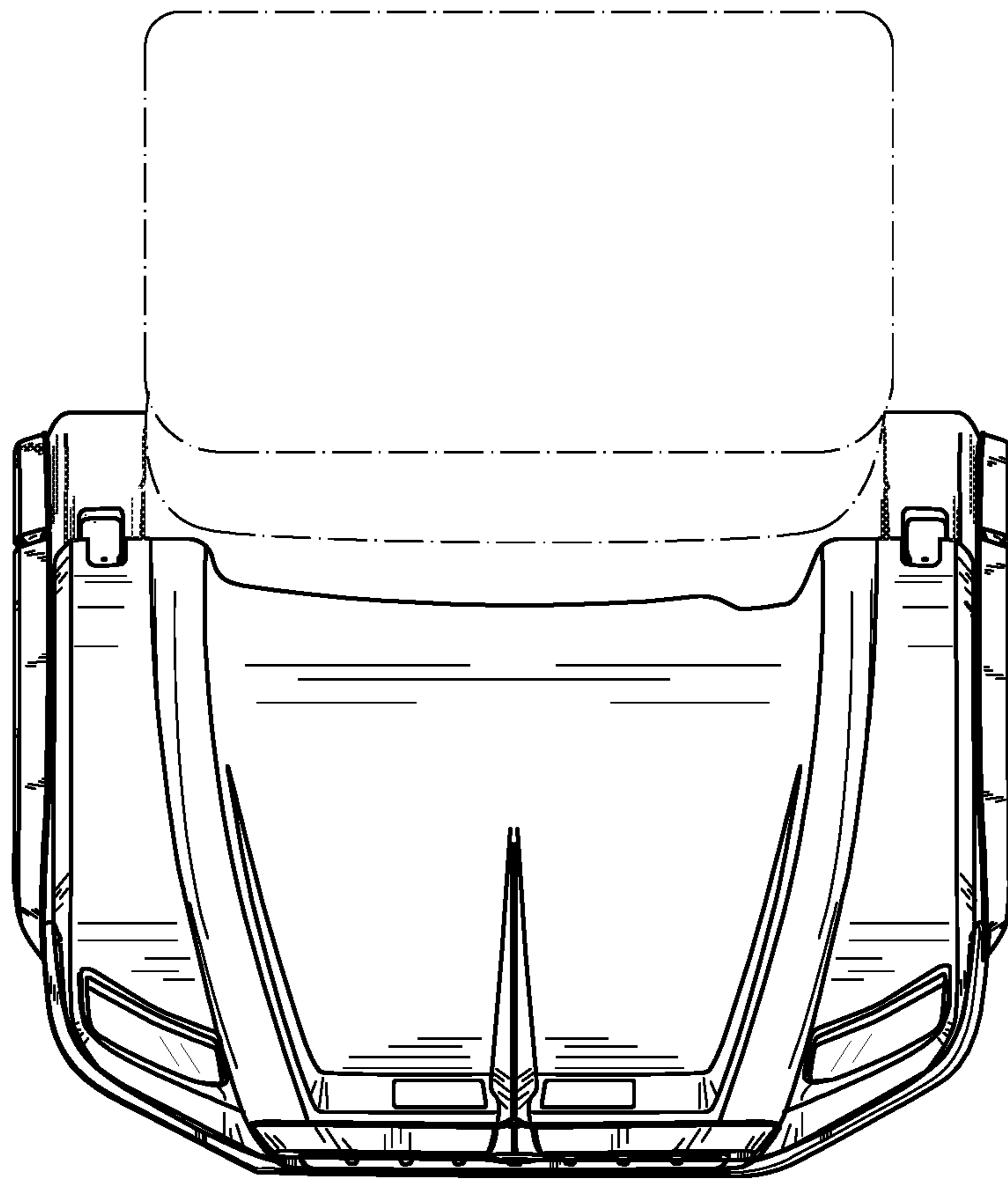


FIG. 2

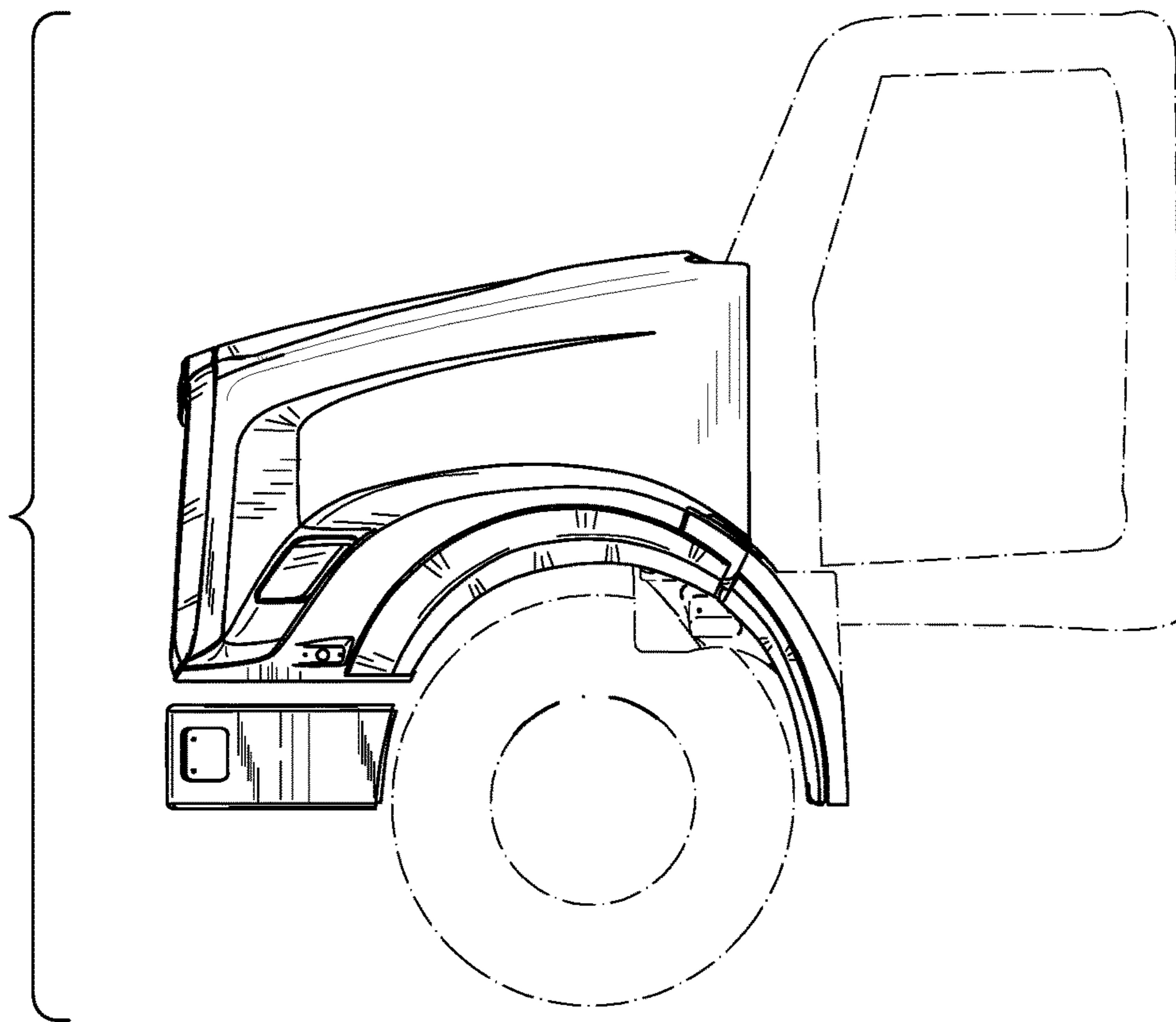


FIG. 3

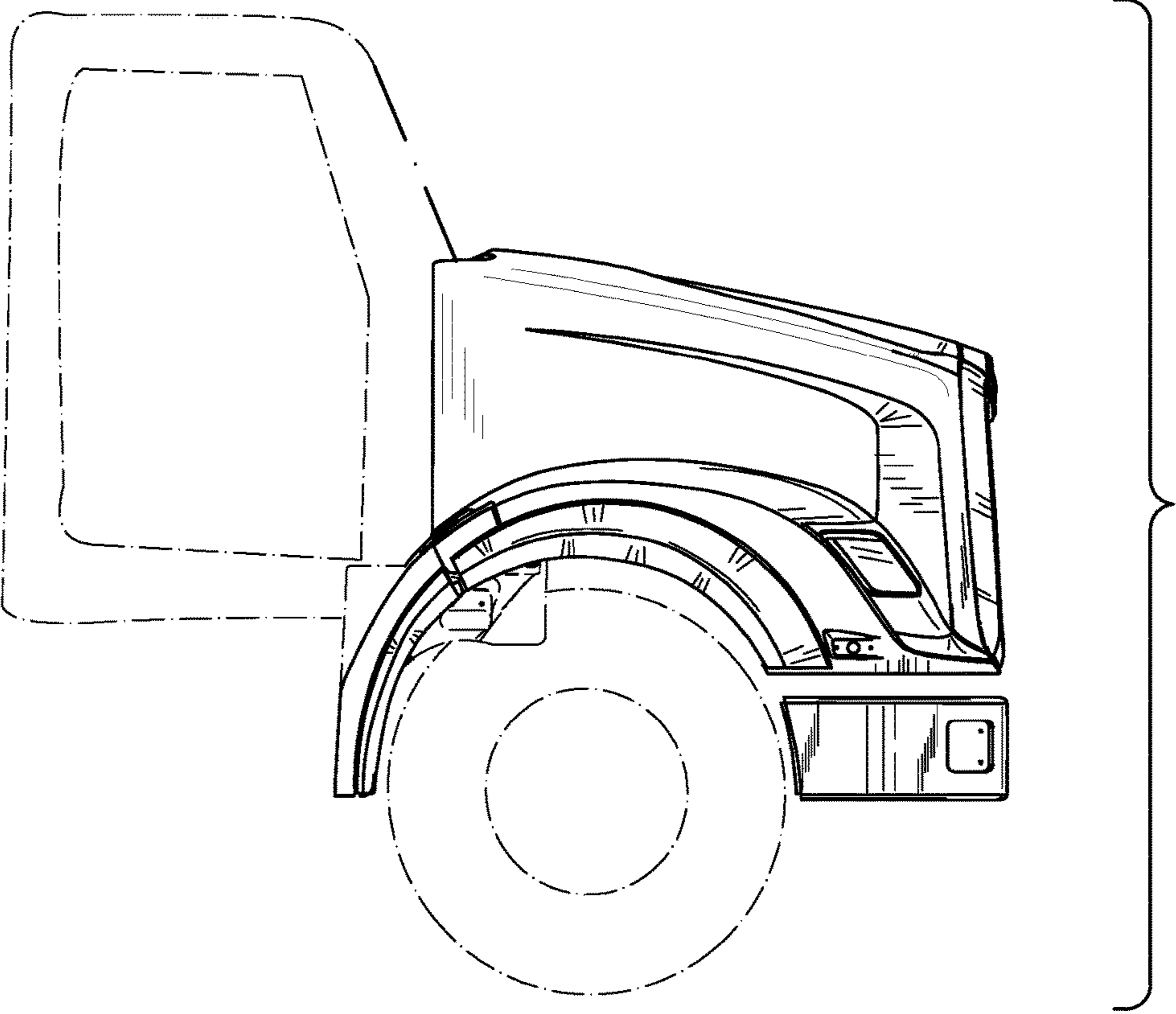


FIG. 4

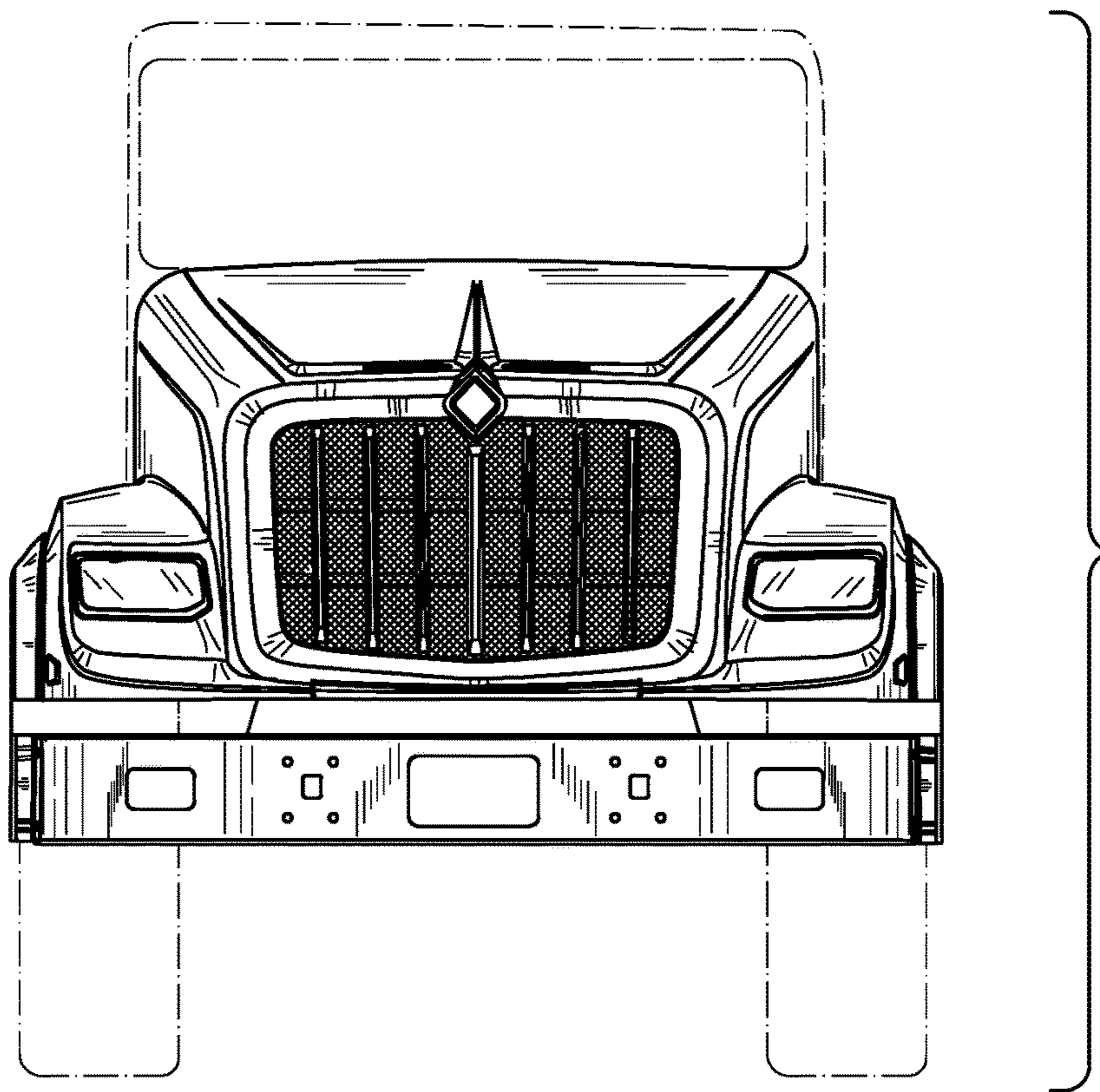


FIG. 5

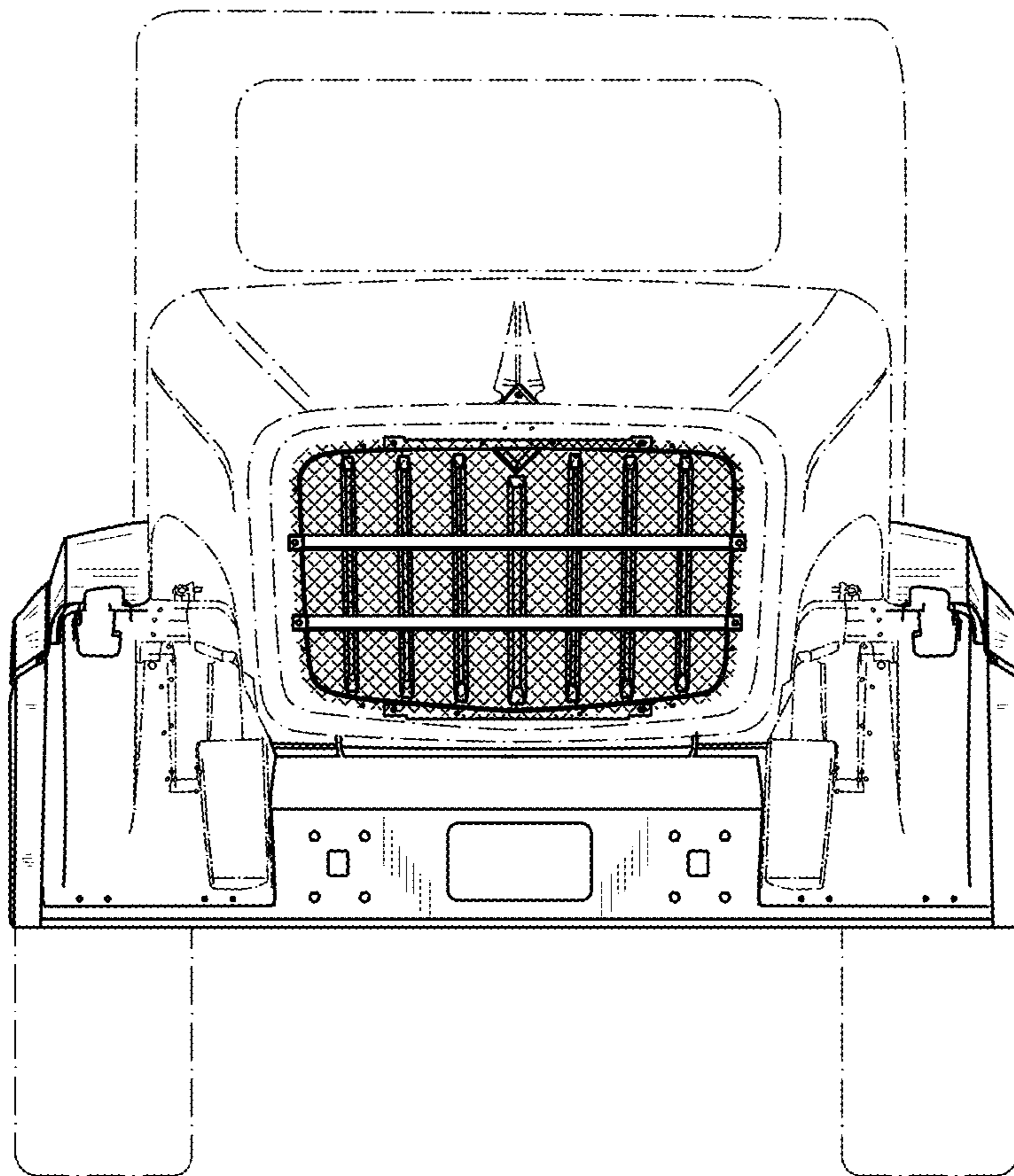


FIG. 6