



US00D826094S

(12) **United States Design Patent** (10) **Patent No.:** **US D826,094 S**
Bischoff et al. (45) **Date of Patent:** **** Aug. 21, 2018**

(54) **MOTOR VEHICLE**
(71) Applicant: **VOLKSWAGEN AKTIENGESELLSCHAFT,**
Wolfsburg (DE)
(72) Inventors: **Klaus Bischoff,** Wolfsburg (DE); **Jan Schmid,** Wolfsburg (DE)
(73) Assignee: **VOLKSWAGEN AKTIENGESELLSCHAFT,**
Wolfsburg (DE)
(**) Term: **15 Years**

D671,034 S * 11/2012 Bischoff D12/91
D671,035 S * 11/2012 Bischoff D12/91
D683,656 S * 6/2013 Bischoff D12/91
D690,231 S * 9/2013 Bischoff D12/91
D691,067 S * 10/2013 Bischoff D12/91
D691,068 S * 10/2013 Bischoff D12/92
D699,157 S * 2/2014 Bischoff D12/92
D701,145 S * 3/2014 Bischoff D12/91
D712,788 S * 9/2014 Bischoff D12/91
D714,689 S * 10/2014 Bischoff D12/92
D740,178 S * 10/2015 Bischoff D12/92
D748,534 S * 2/2016 Bischoff D12/92
D761,697 S * 7/2016 Bischoff D12/92
D791,020 S * 7/2017 Bischoff D12/91
D804,363 S * 12/2017 Bischoff D12/92

* cited by examiner

(21) Appl. No.: **29/611,972**
(22) Filed: **Jul. 27, 2017**

Primary Examiner — Melody N Brown
(74) *Attorney, Agent, or Firm* — Lucas & Mercanti, LLP;
Klaus P. Stoffel

(30) **Foreign Application Priority Data**

Jan. 30, 2017 (DE) 40 2017 100 078

(51) **LOC (11) Cl.** **12-08**

(52) **U.S. Cl.**
USPC **D12/92**

(58) **Field of Classification Search**
USPC D12/86, 90–92, 88; D21/421, 433, 434;
296/181.1, 181.5
CPC B62D 35/00; B62D 25/00; B62D 25/06;
B62D 33/00
See application file for complete search history.

(56) **References Cited**

U.S. PATENT DOCUMENTS

D620,840 S * 8/2010 Bischoff D12/91
D626,885 S * 11/2010 Bischoff D12/91
D637,943 S * 5/2011 Bischoff D12/92

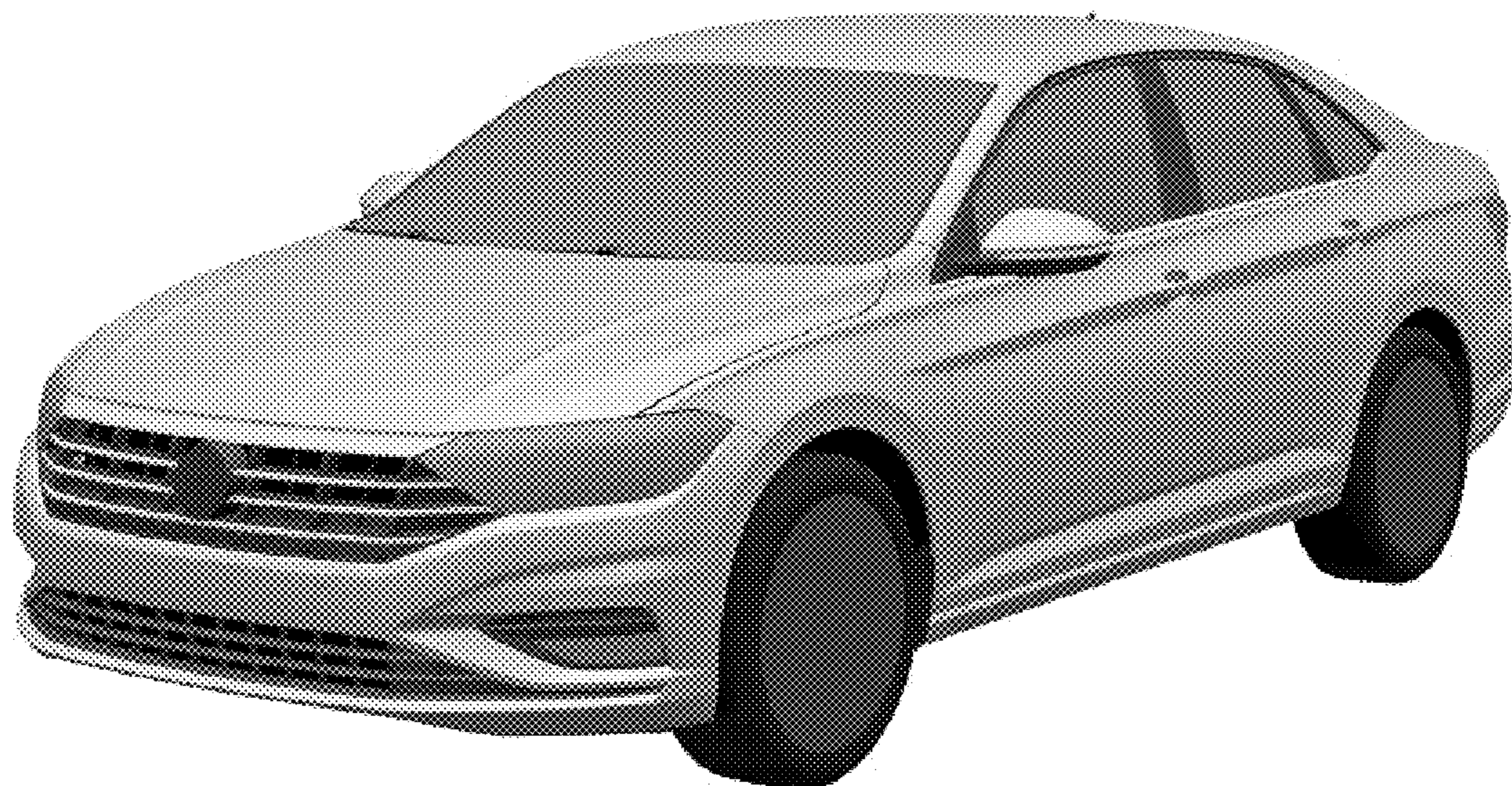
(57) **CLAIM**

The ornamental design for a motor vehicle, as shown and described.

DESCRIPTION

FIG. 1 is a front and right side perspective view of a motor vehicle showing our new design;
FIG. 2 is a front and left side perspective view thereof;
FIG. 3 is a rear and right side perspective view thereof;
FIG. 4 is a rear and left side perspective view thereof;
FIG. 5 is a front view thereof;
FIG. 6 is a rear view thereof;
FIG. 7 is a right side view thereof;
FIG. 8 is a left side view thereof; and,
FIG. 9 is a top view thereof.

1 Claim, 5 Drawing Sheets



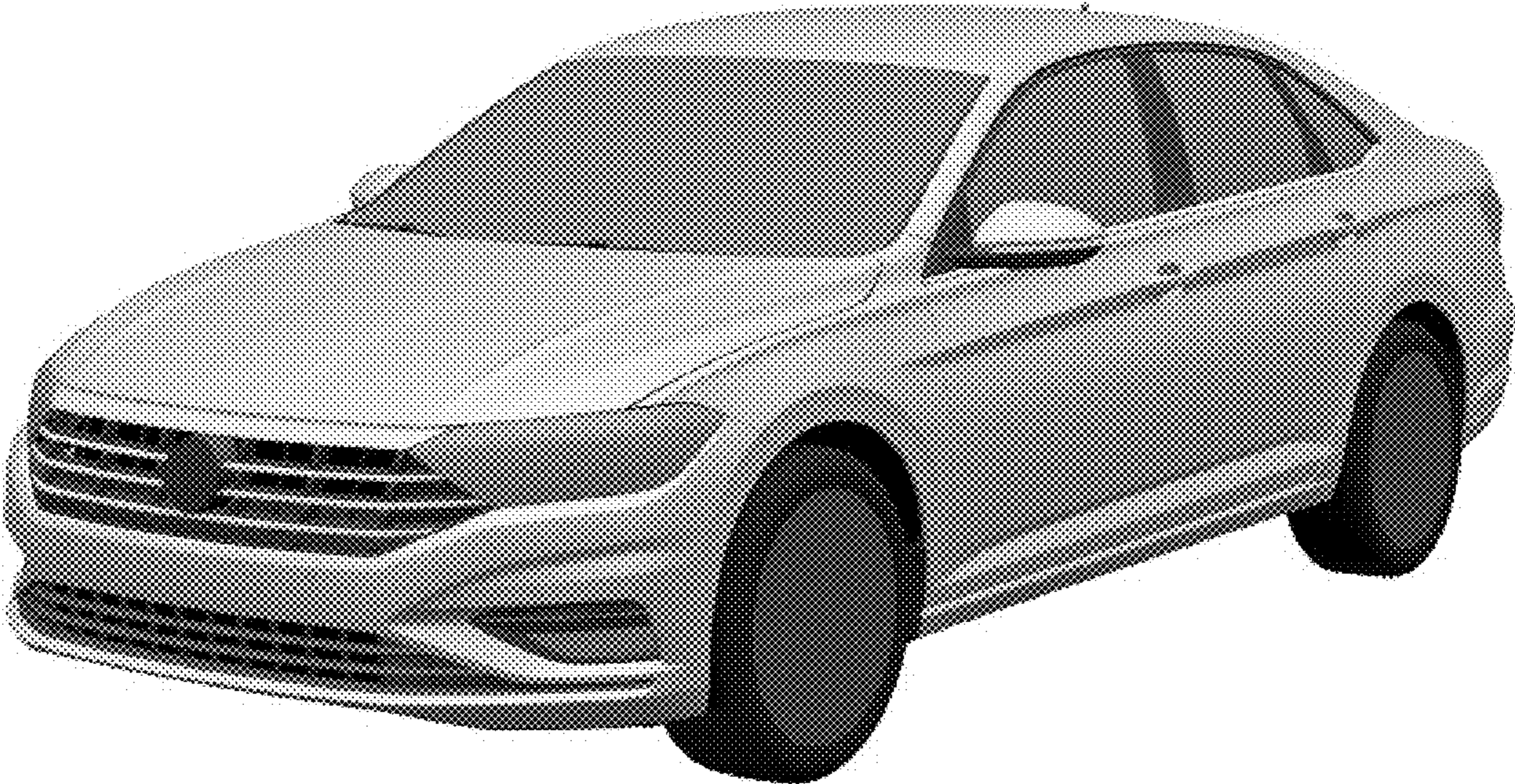


Fig. 1

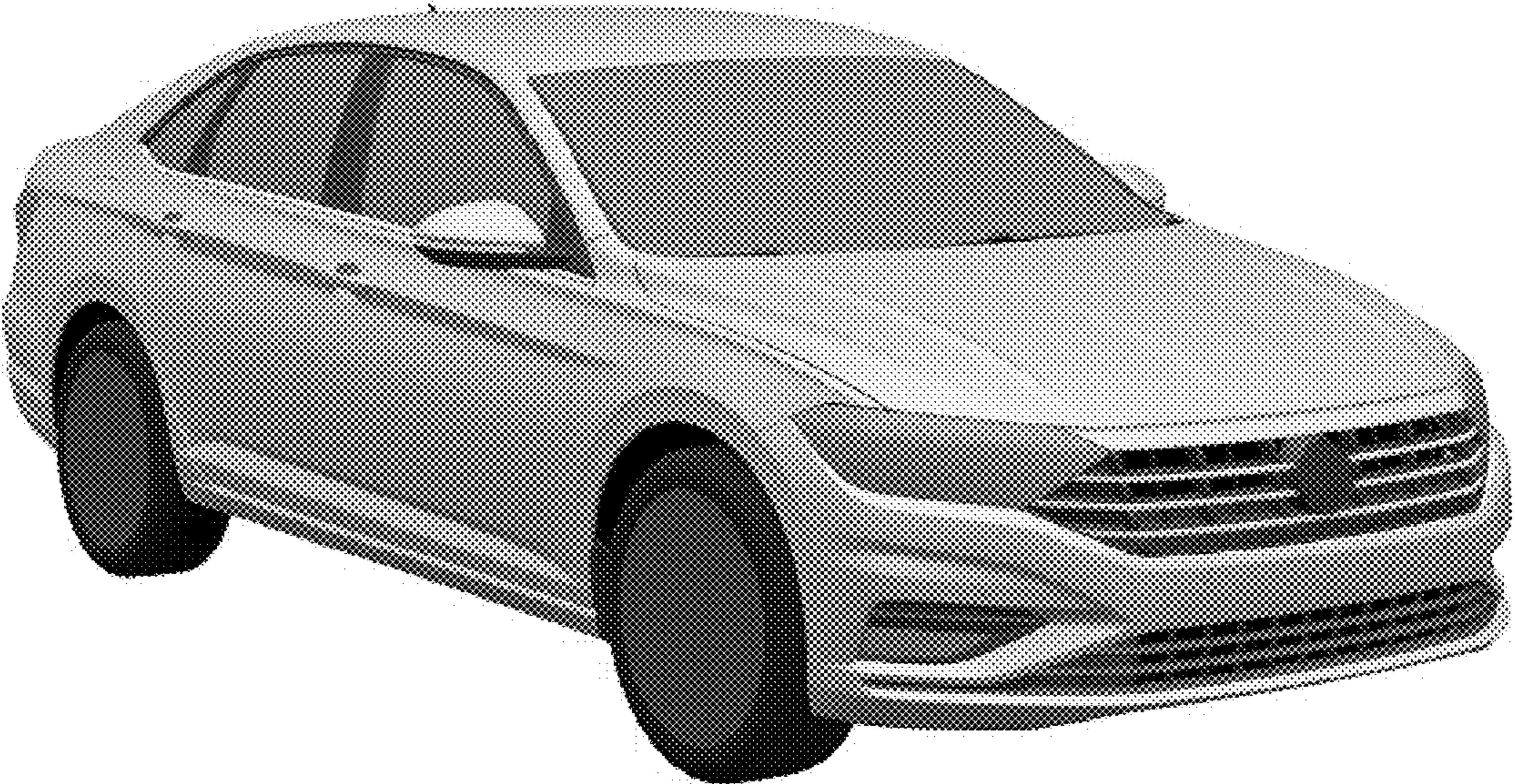


Fig. 2

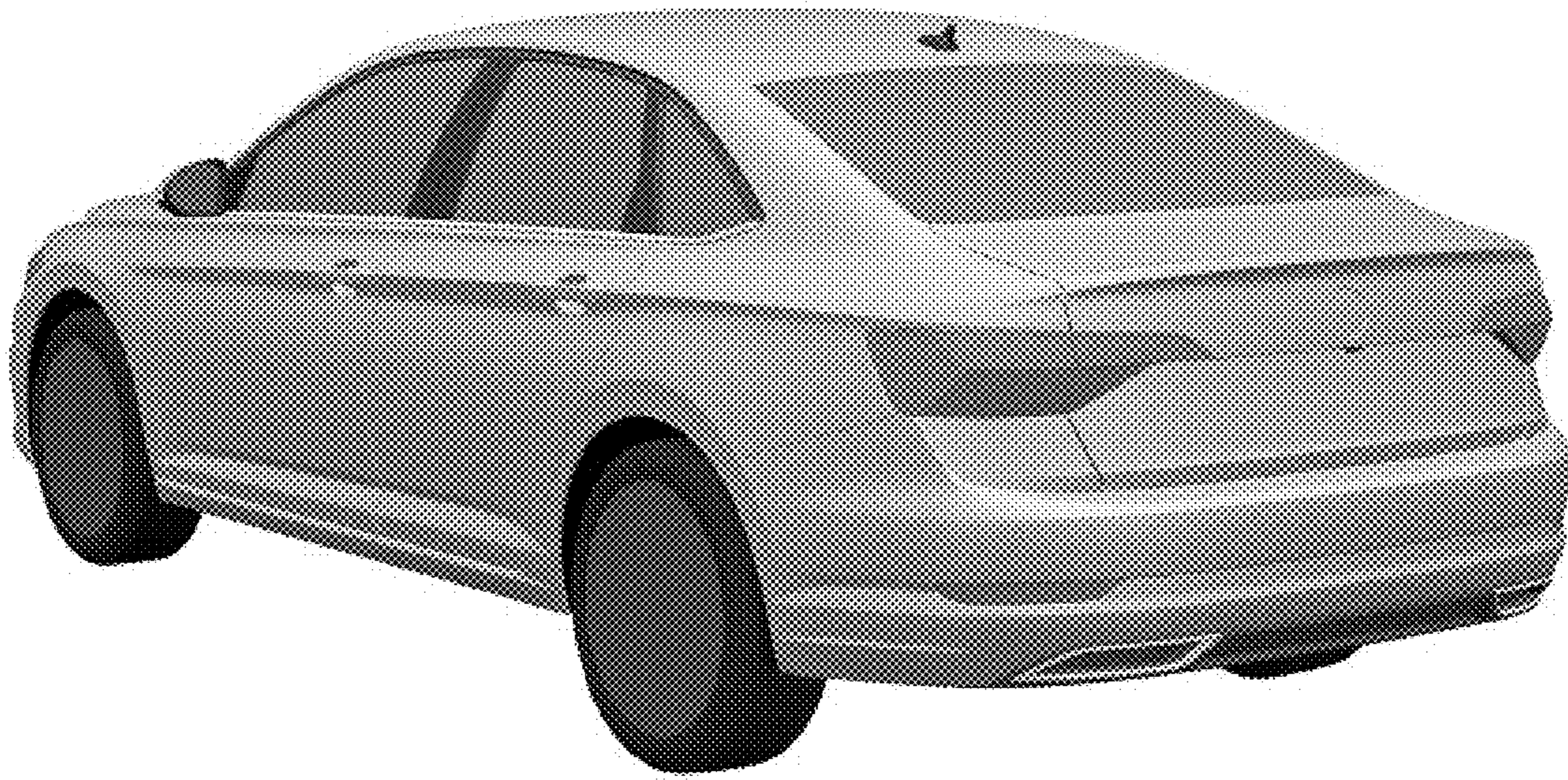


Fig. 3

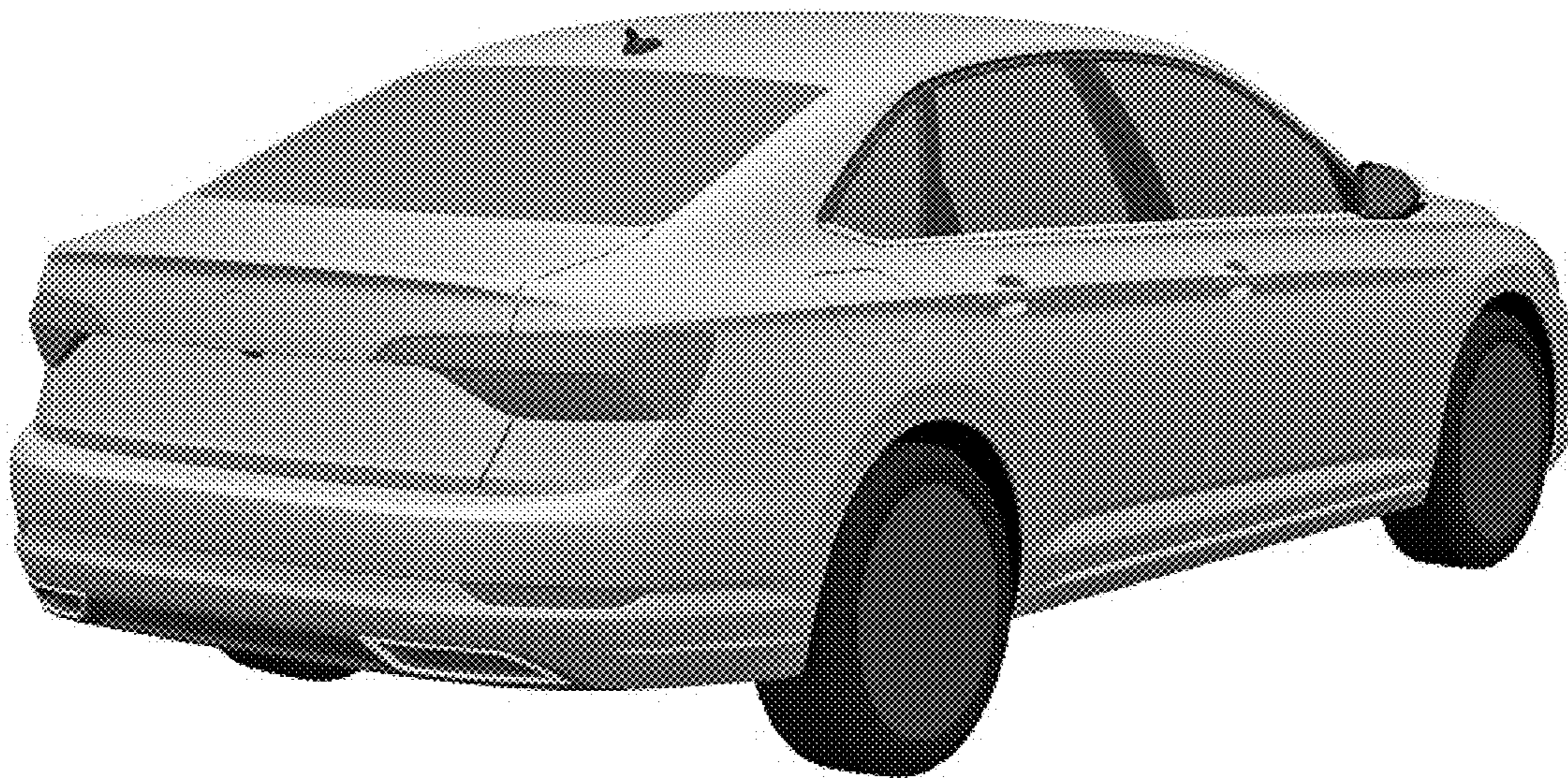


Fig. 4

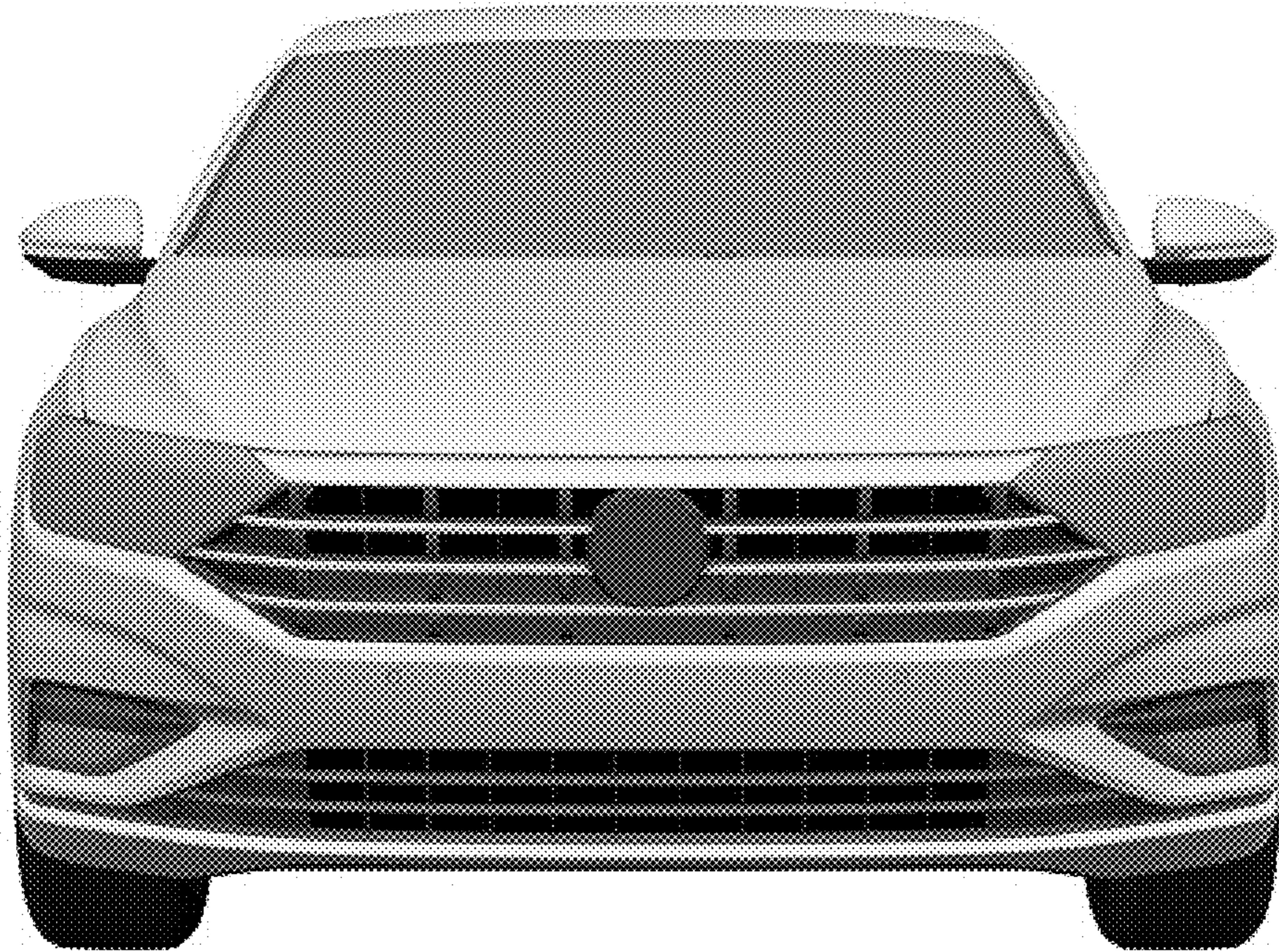


Fig. 5

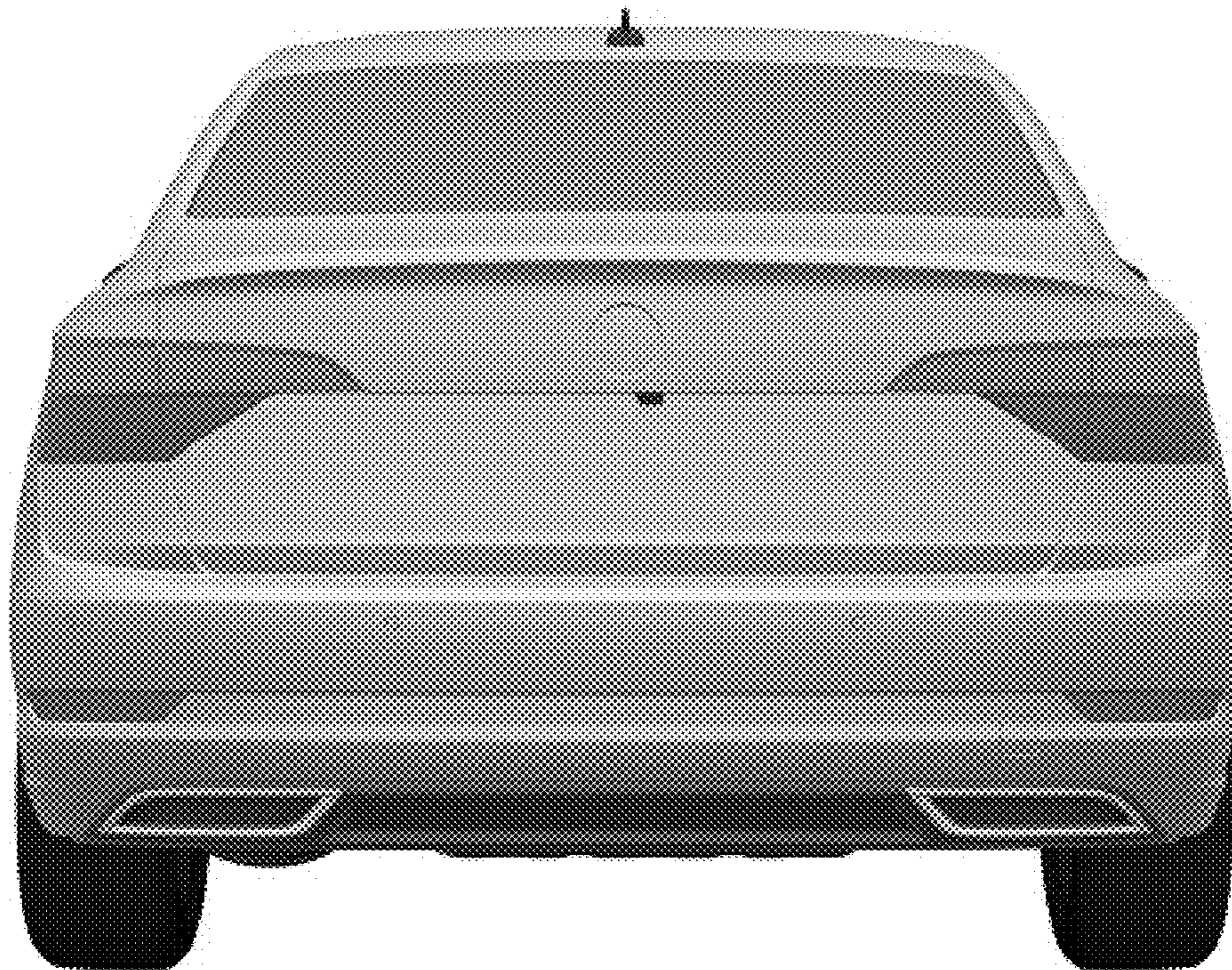


Fig. 6

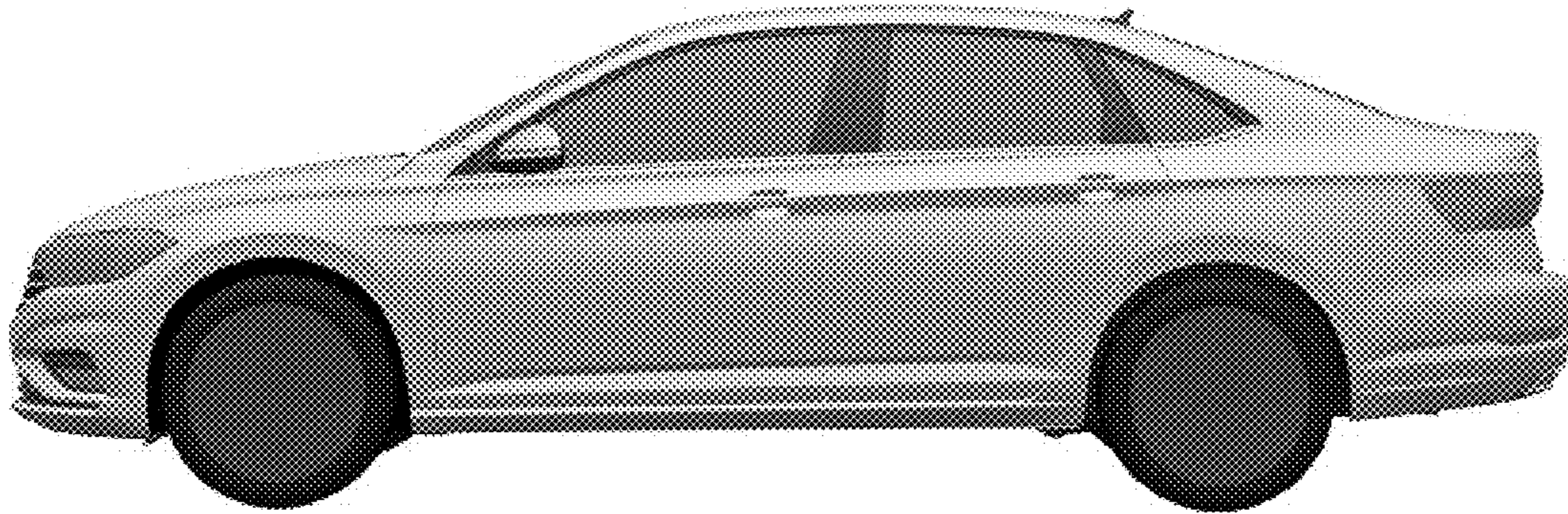


Fig. 7

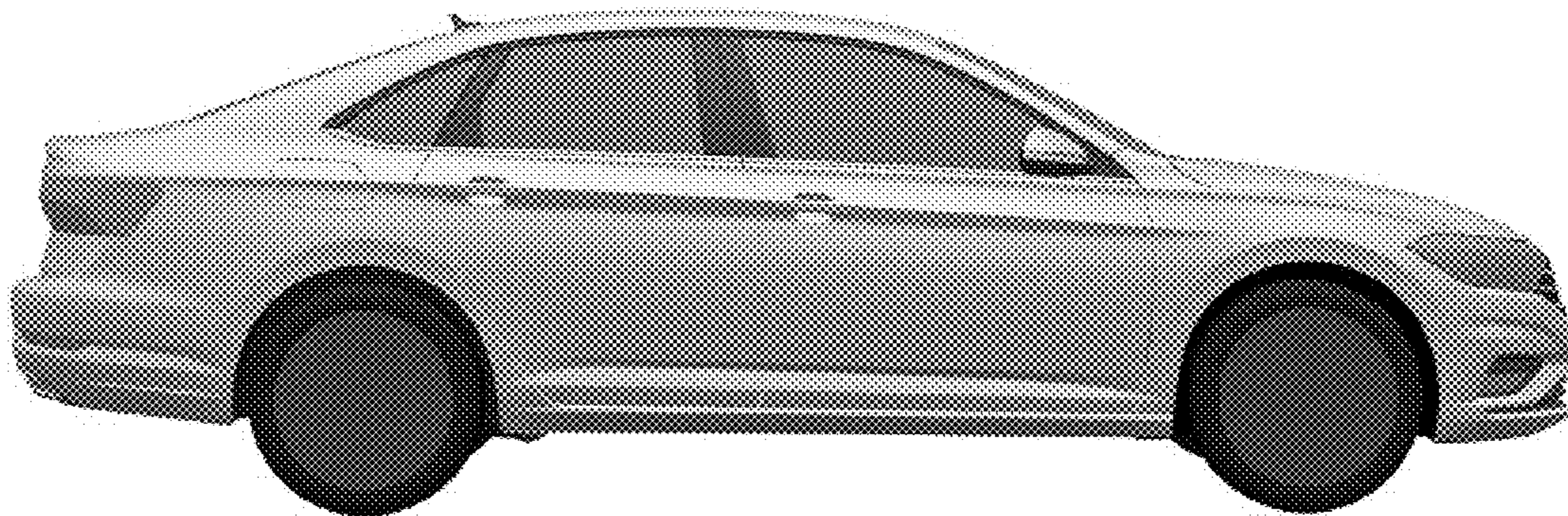


Fig. 8

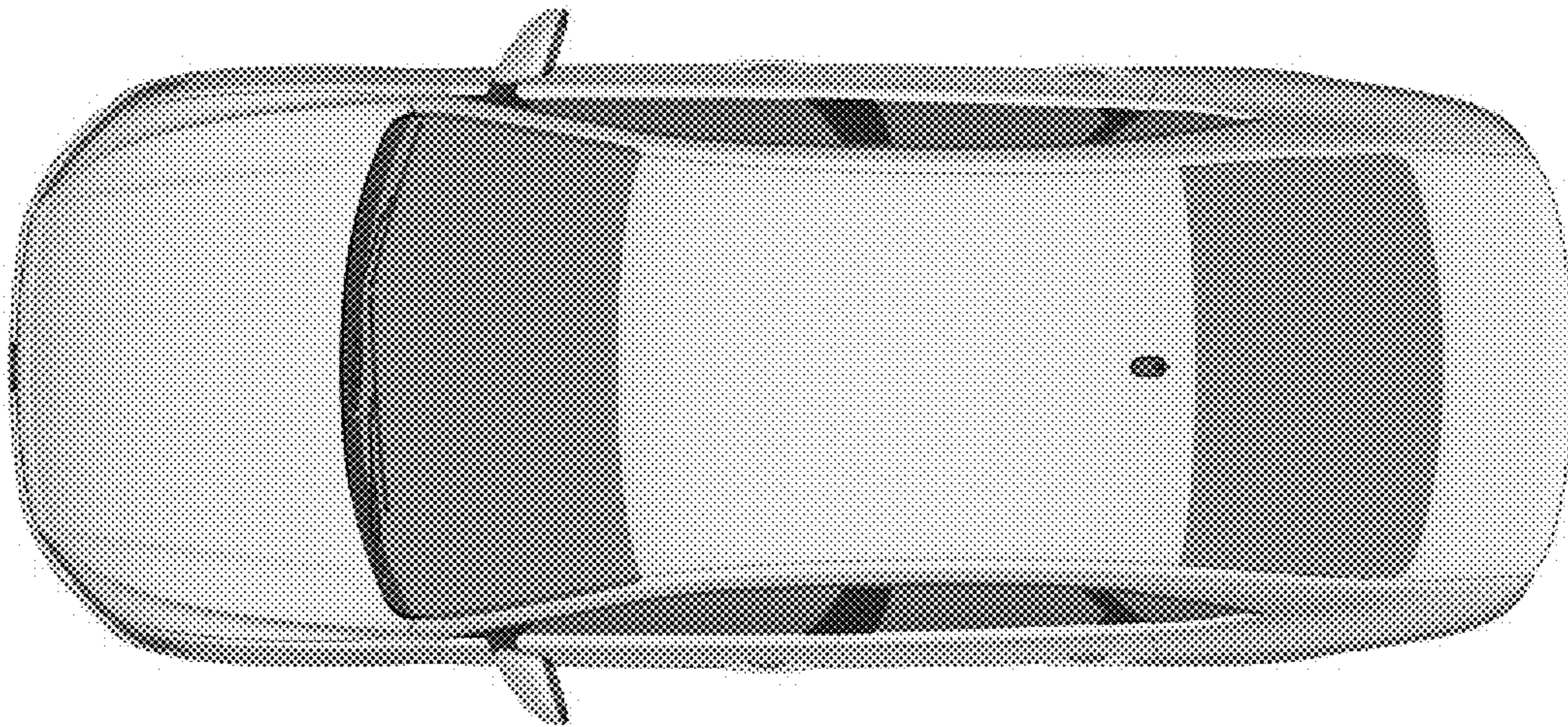


Fig. 9