



US00D826090S

(12) **United States Design Patent** (10) **Patent No.:** **US D826,090 S**
Jin (45) **Date of Patent:** **** Aug. 21, 2018**

(54) **AUTOMOBILE**

(71) Applicant: **TECHNOLOGIES' XANADU OF RESONATORY-SOLAR-SYSTEMED CO., LTD., Beijing (CN)**

(72) Inventor: **Pu Jin, Beijing (CN)**

(73) Assignee: **TECHNOLOGIES' XANADU OF RESONATORY-SOLAR-SYSTEMED CO., LTD., Beijing (CN)**

(**) Term: **15 Years**

(21) Appl. No.: **29/618,409**

(22) Filed: **Sep. 21, 2017**

(30) **Foreign Application Priority Data**

May 24, 2017 (CN) 2017 3 0198807

(51) **LOC (11) Cl.** **12-08**

(52) **U.S. Cl.**
USPC **D12/88; D12/92**

(58) **Field of Classification Search**
USPC D12/86, 90-92, 88; D21/424, 433, 434,
D21/521, 533-535; 296/181.1-181.5,
296/183.1

CPC B62D 25/00; B62D 25/06; B62D 33/00;
B62D 35/00

See application file for complete search history.

(56) **References Cited**

U.S. PATENT DOCUMENTS

D576,523 S * 9/2008 Battams D12/88
D710,257 S * 8/2014 Giovannini D12/92

D710,259 S * 8/2014 Baccino D12/92
D717,213 S * 11/2014 Borgogno D12/92
D744,901 S * 12/2015 Fulgenzi D12/92
D763,734 S * 8/2016 Castriota D12/88
D766,776 S * 9/2016 Rezvani D12/88
D769,152 S * 10/2016 Perini D12/92
D774,416 S * 12/2016 Perini D12/88
D774,947 S * 12/2016 Anscheidt D12/88
D790,398 S * 6/2017 Perini D12/88
D790,402 S * 6/2017 Perini D12/88

OTHER PUBLICATIONS

Official Confirmation that Techrules Automobile R&D Co, Ltd was an exhibitor of the 2017 Geneva International Motor Show. Geneva, Jun. 30, 2017.

* cited by examiner

Primary Examiner — Melody N Brown

(74) *Attorney, Agent, or Firm* — Knobbe, Martens, Olson & Bear, LLP

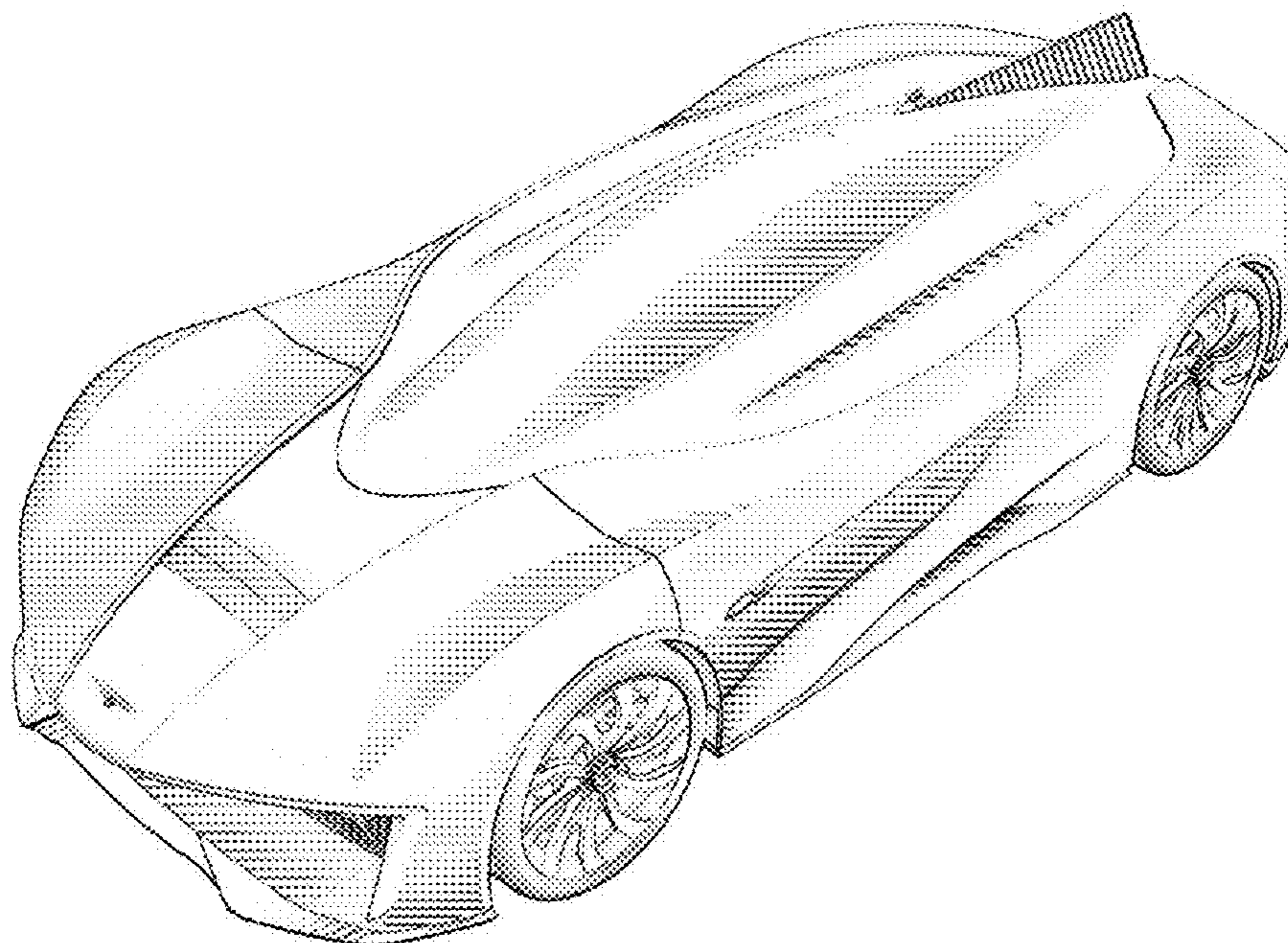
(57) **CLAIM**

The ornamental design for an automobile, as shown and described.

DESCRIPTION

FIG. 1 is a perspective view showing my new design.
FIG. 2 is a right side view thereof.
FIG. 3 is a left side view thereof.
FIG. 4 is a front view thereof.
FIG. 5 is a rear view thereof.
FIG. 6 is a top view thereof; and,
FIG. 7 is a bottom view thereof.

1 Claim, 5 Drawing Sheets



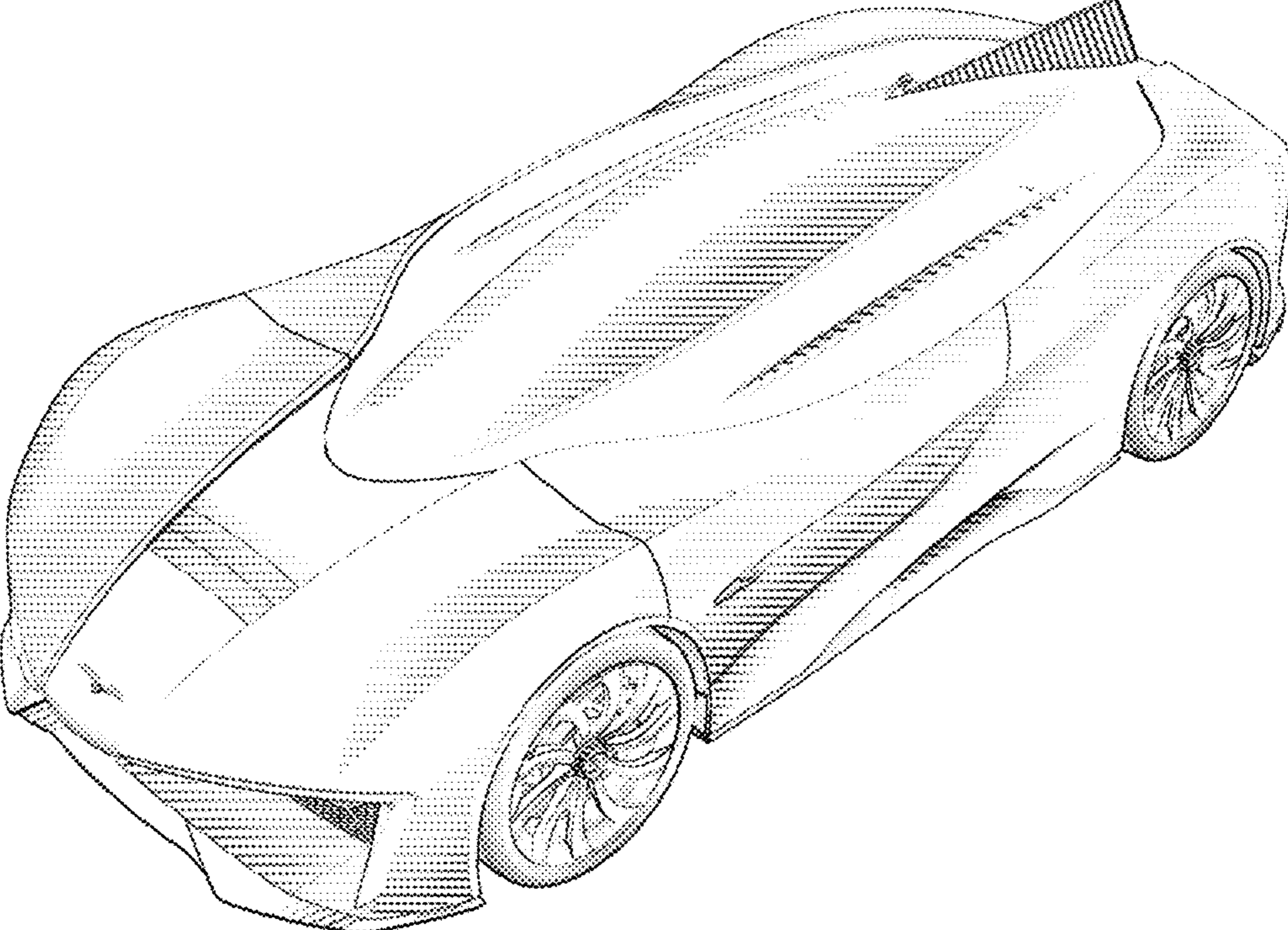


FIG. 1

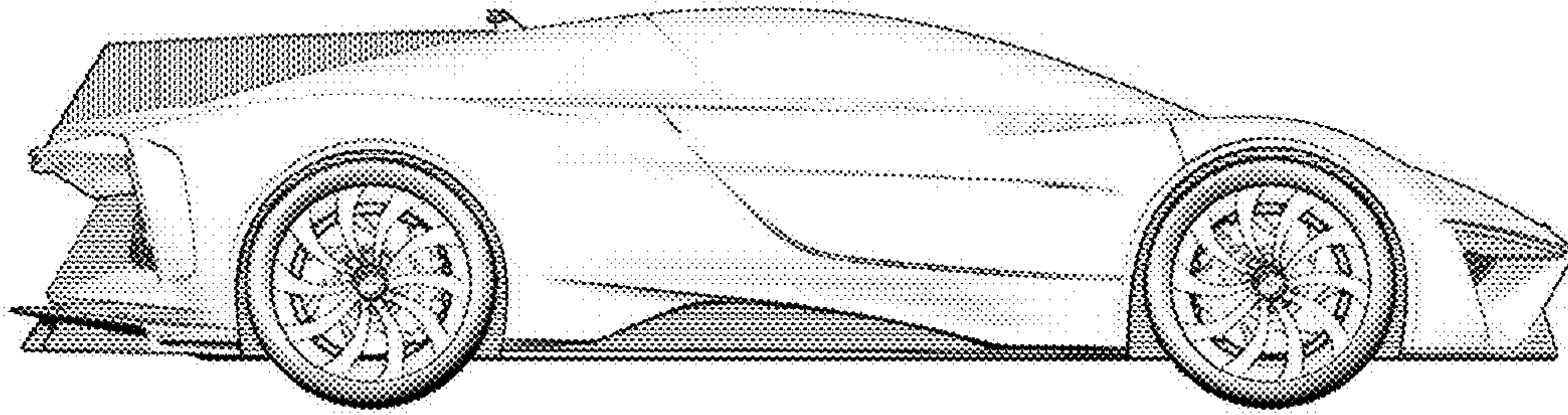


FIG. 2

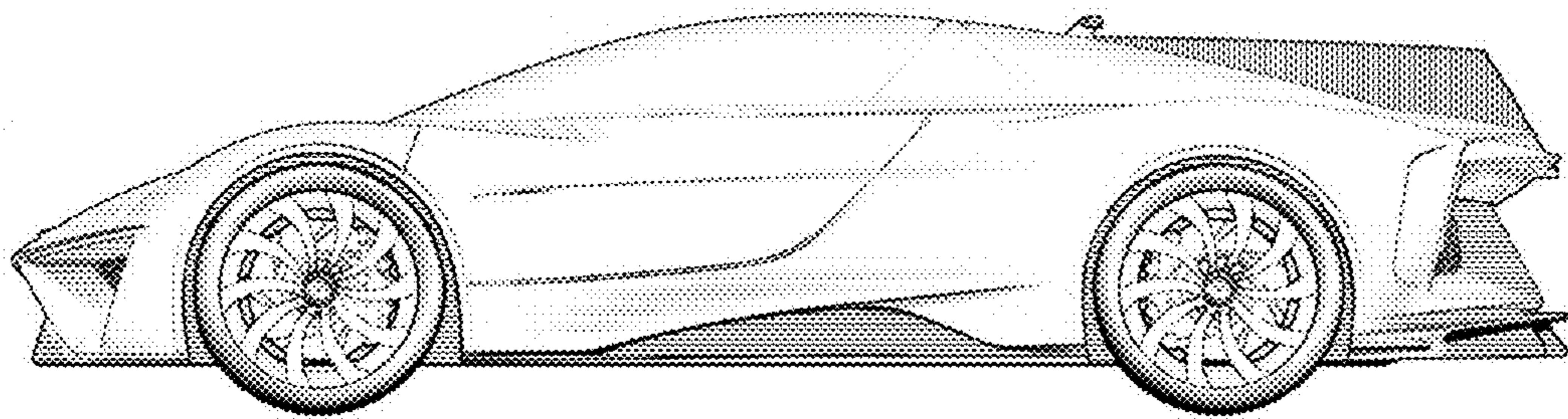


FIG. 3

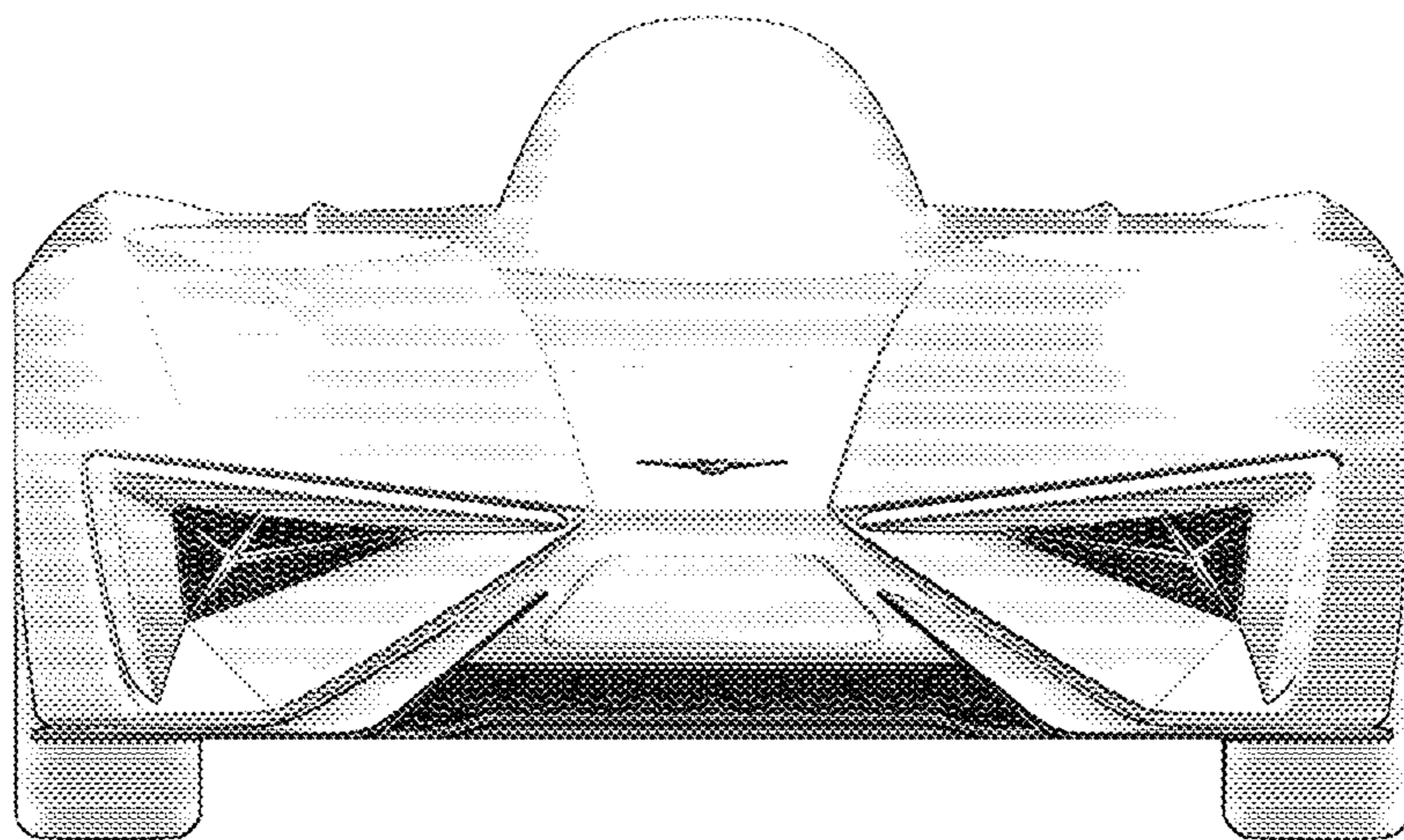


FIG. 4

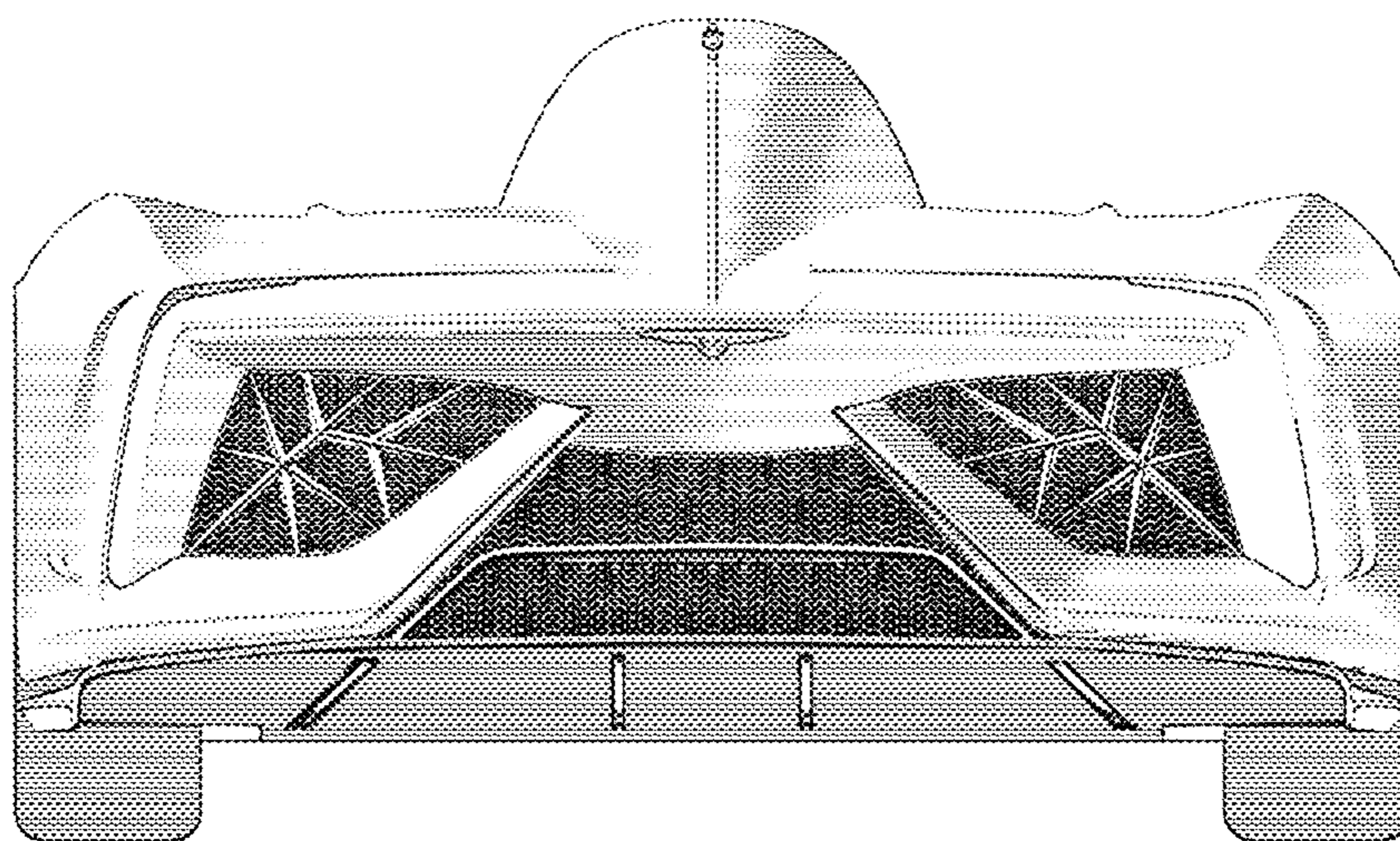


FIG. 5

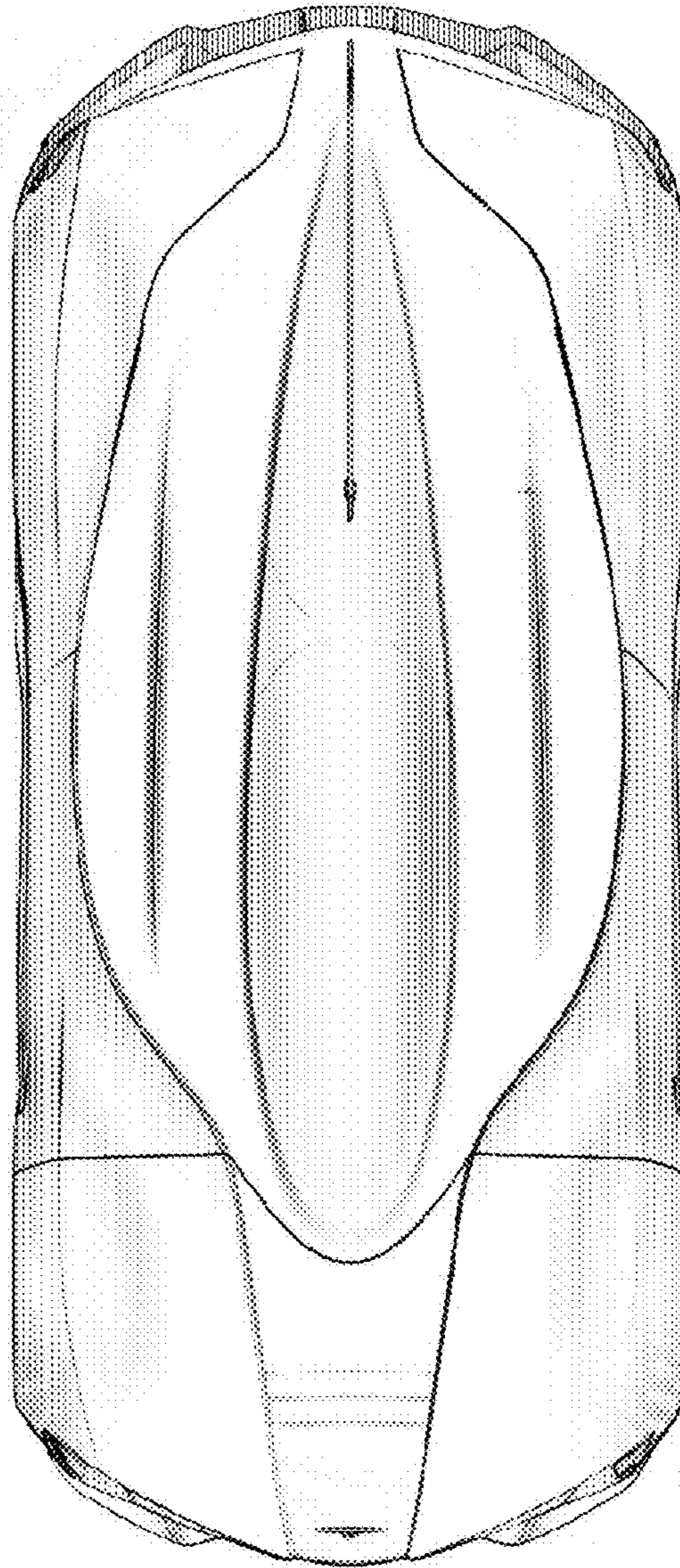


FIG. 6

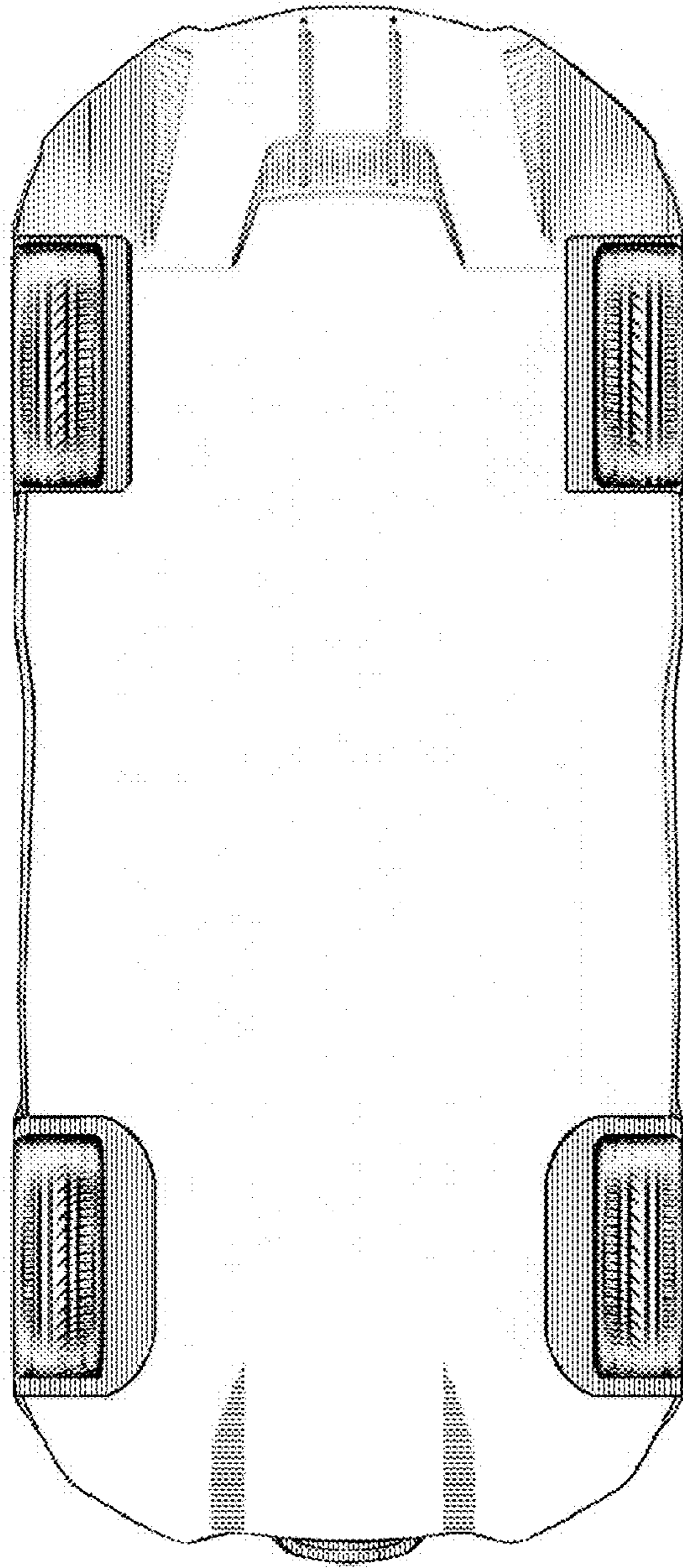


FIG. 7