



US00D826089S

(12) **United States Design Patent** (10) **Patent No.:** **US D826,089 S**  
**Lesnik et al.** (45) **Date of Patent:** **\*\* Aug. 21, 2018**

(54) **VEHICLE, TOY, AND/OR REPLICAS THEREOF**

D774,949 S \* 12/2016 Okuyama ..... D12/92  
D790,399 S \* 6/2017 Perini ..... D12/88  
D801,871 S \* 11/2017 Manzoni ..... D12/92  
D817,814 S \* 5/2018 Nurnberger ..... D12/88

(71) Applicant: **Daimler AG**, Stuttgart (DE)

\* cited by examiner

(72) Inventors: **Robert Lesnik**, Leonberg (DE);  
**Laurent Olivier**, Sindelfingen (DE)

*Primary Examiner* — Melody N Brown

(73) Assignee: **Daimler AG**, Stuttgart (DE)

(74) *Attorney, Agent, or Firm* — Crowell & Moring LLP

(\*\*) Term: **15 Years**

(21) Appl. No.: **29/615,020**

(57) **CLAIM**

(22) Filed: **Aug. 25, 2017**

The ornamental design for a vehicle, toy, and/or replicas thereof, as shown and described.

(30) **Foreign Application Priority Data**

Feb. 28, 2017 (EM) ..... 003772888-0001

(51) **LOC (11) Cl.** ..... **12-08**

(52) **U.S. Cl.**  
USPC ..... **D12/88**; D12/92

(58) **Field of Classification Search**  
USPC ..... D12/86, 90–92, 88; D21/424, 433, 434,  
D21/521, 533–535; 296/181.1–181.5,  
296/183.1

CPC ..... B62D 25/00; B62D 25/06; B62D 33/00;  
B62D 35/00

See application file for complete search history.

**DESCRIPTION**

FIG. 1 is a left, front perspective view of a vehicle, toy, and/or replicas thereof according to the design;

FIG. 2 is a left, rear perspective view thereof;

FIG. 3 is a front view thereof;

FIG. 4 is a rear view thereof;

FIG. 5 is a left side view thereof; and,

FIG. 6 is a top view thereof.

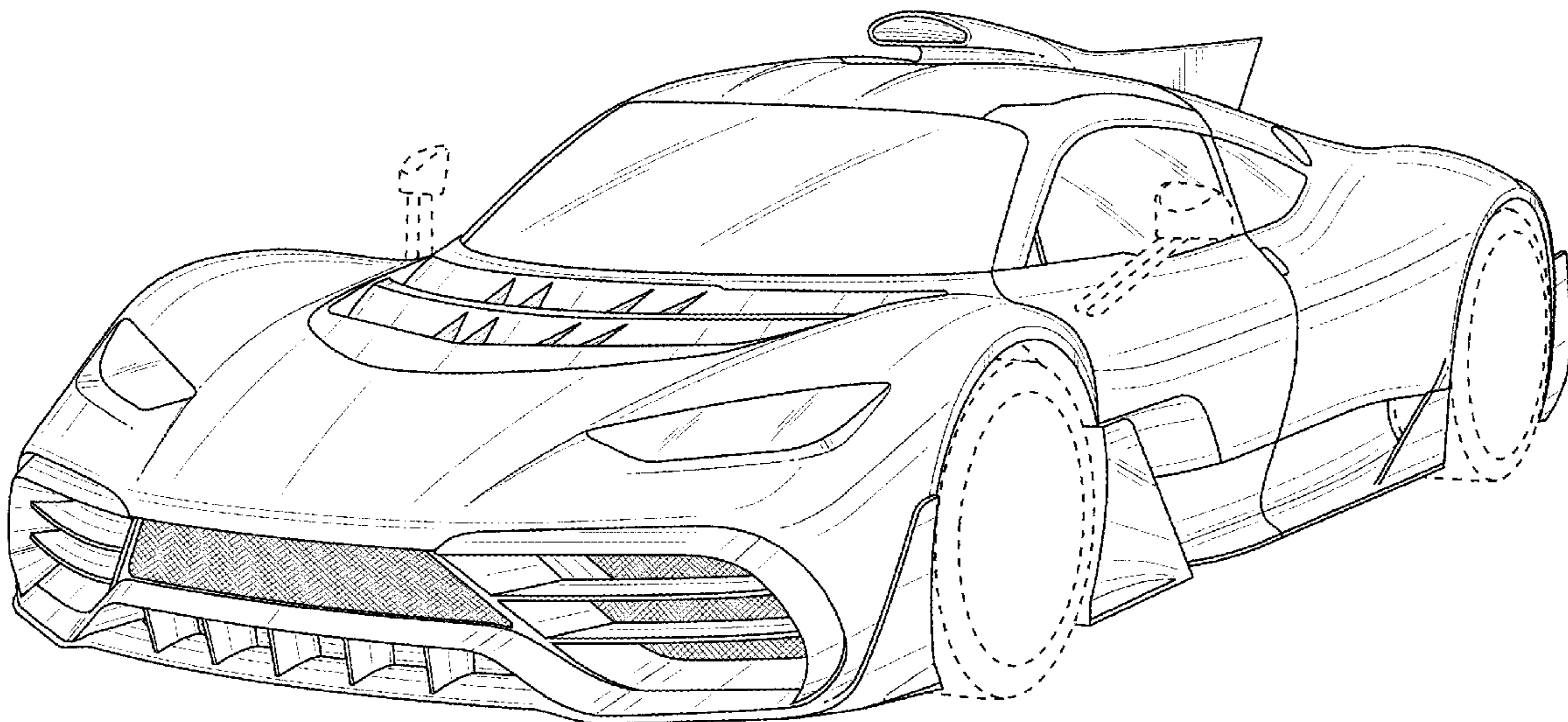
The broken lines in the drawings illustrate environmental subject matter only and form no part of the claimed design.

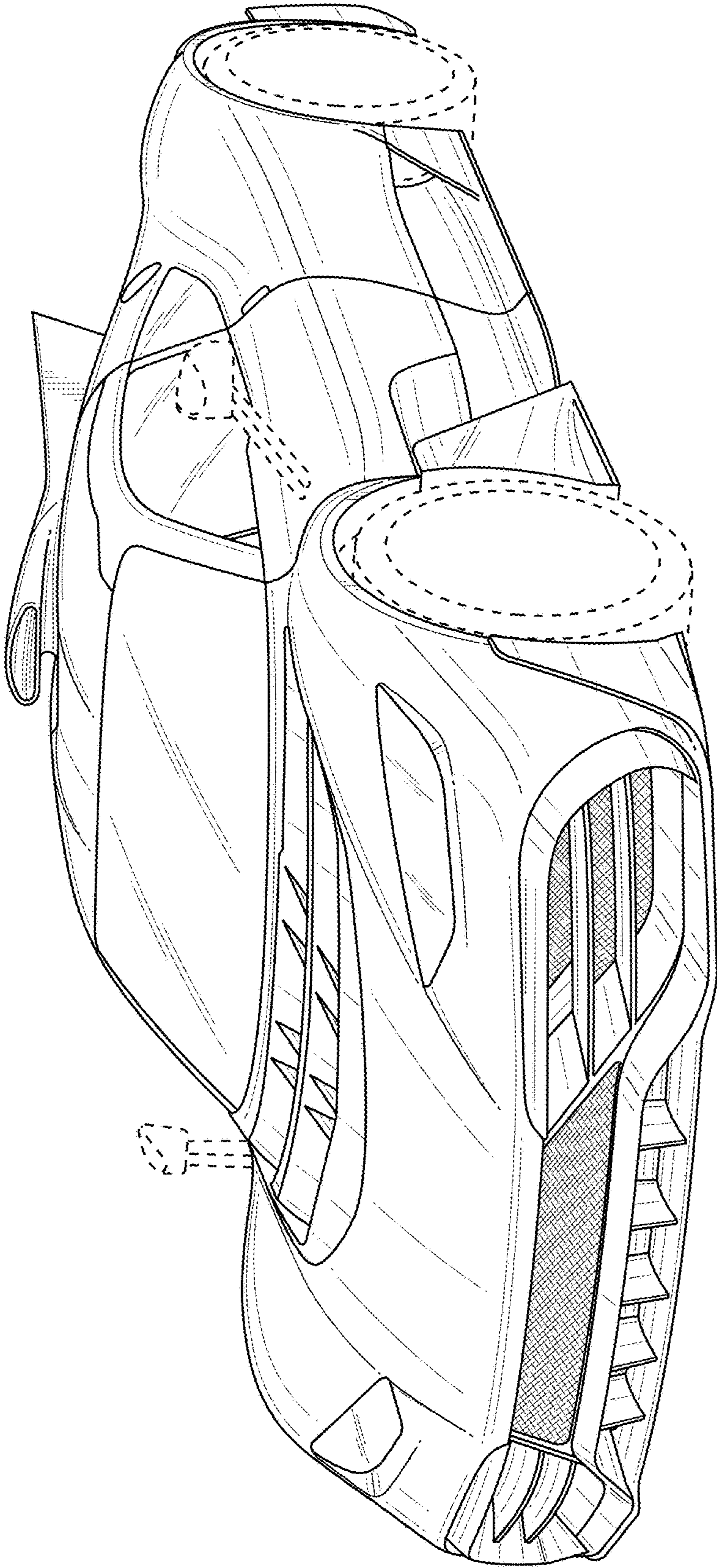
(56) **References Cited**

**U.S. PATENT DOCUMENTS**

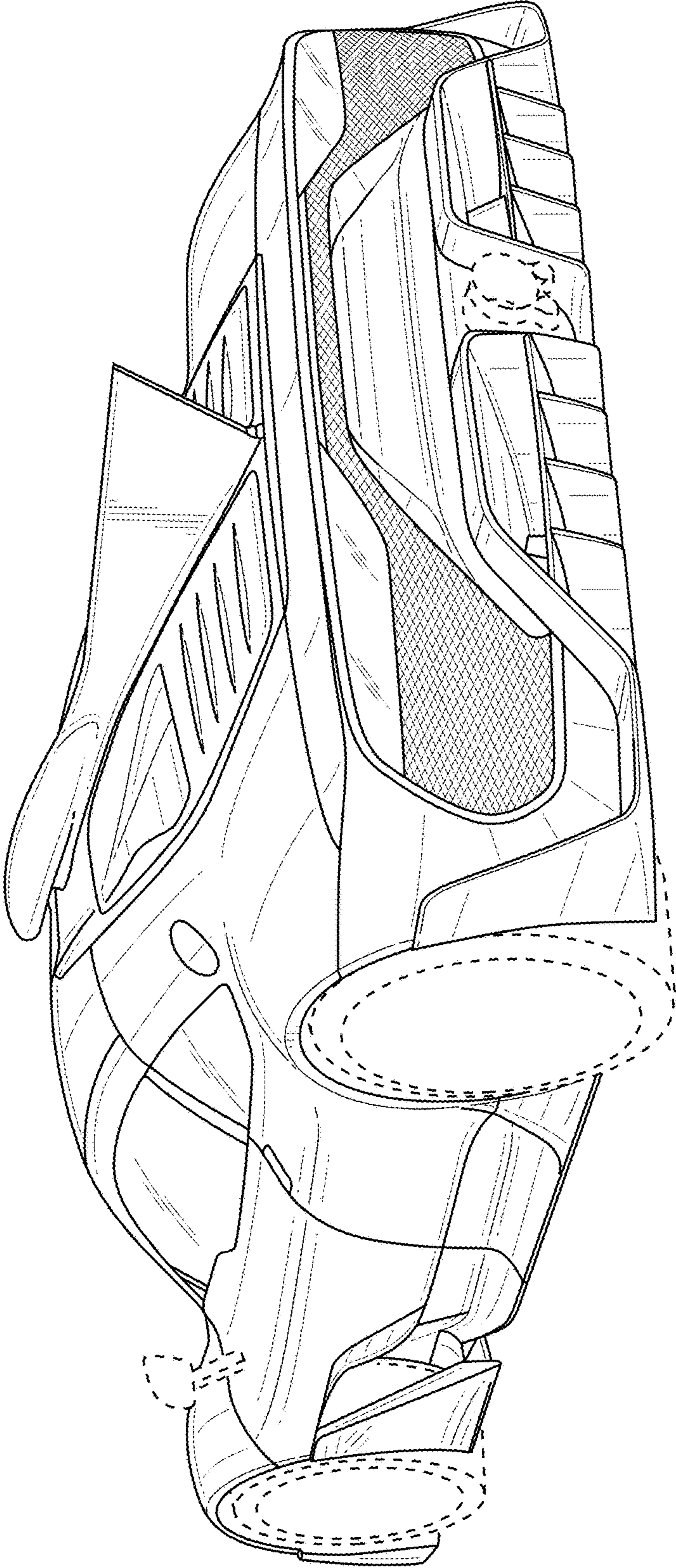
D701,147 S \* 3/2014 Saracoglu ..... D12/92  
D704,596 S \* 5/2014 Saracoglu ..... D12/92  
D741,753 S \* 10/2015 Perini ..... D12/92  
D753,548 S \* 4/2016 Gilles ..... D12/92

**1 Claim, 6 Drawing Sheets**

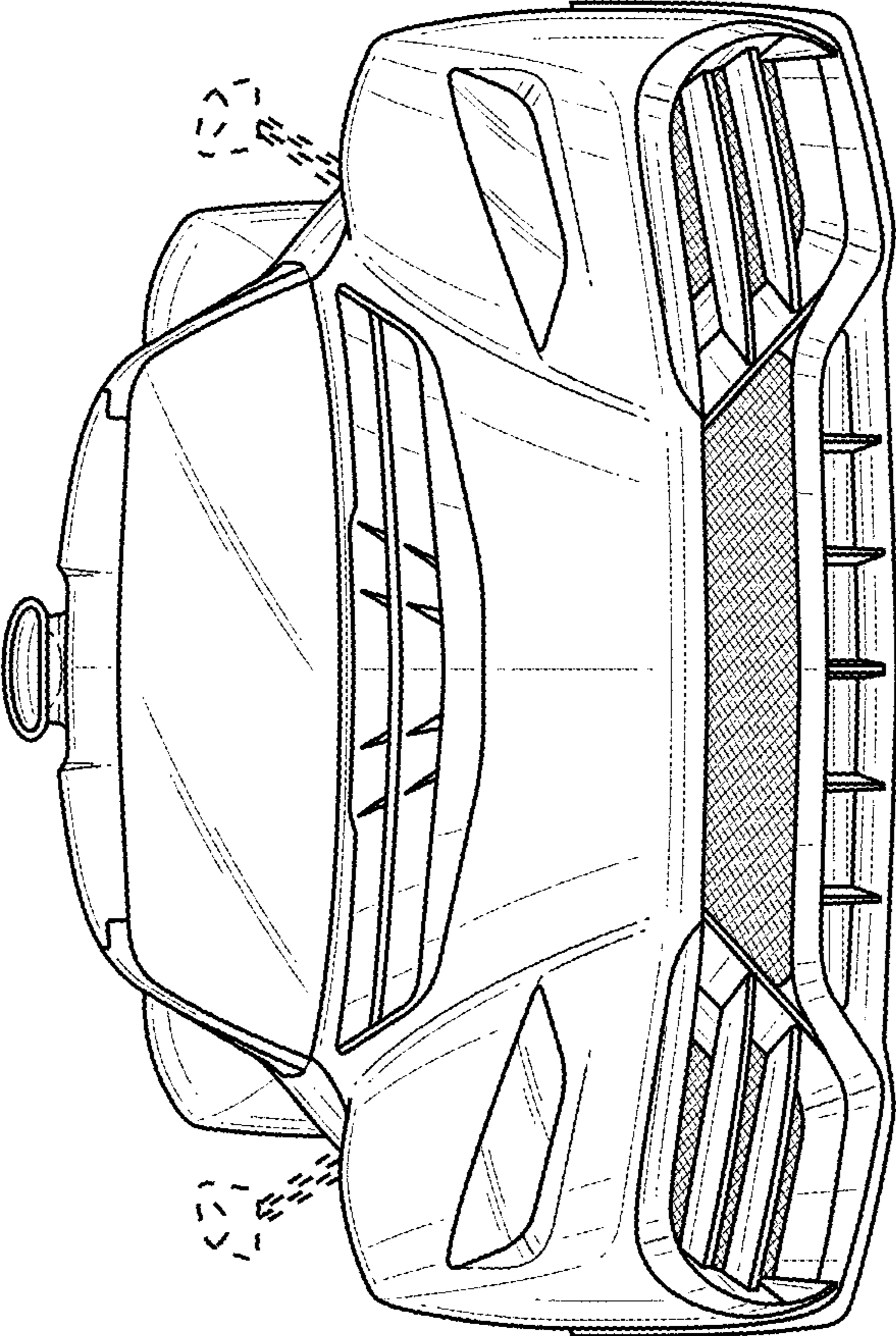




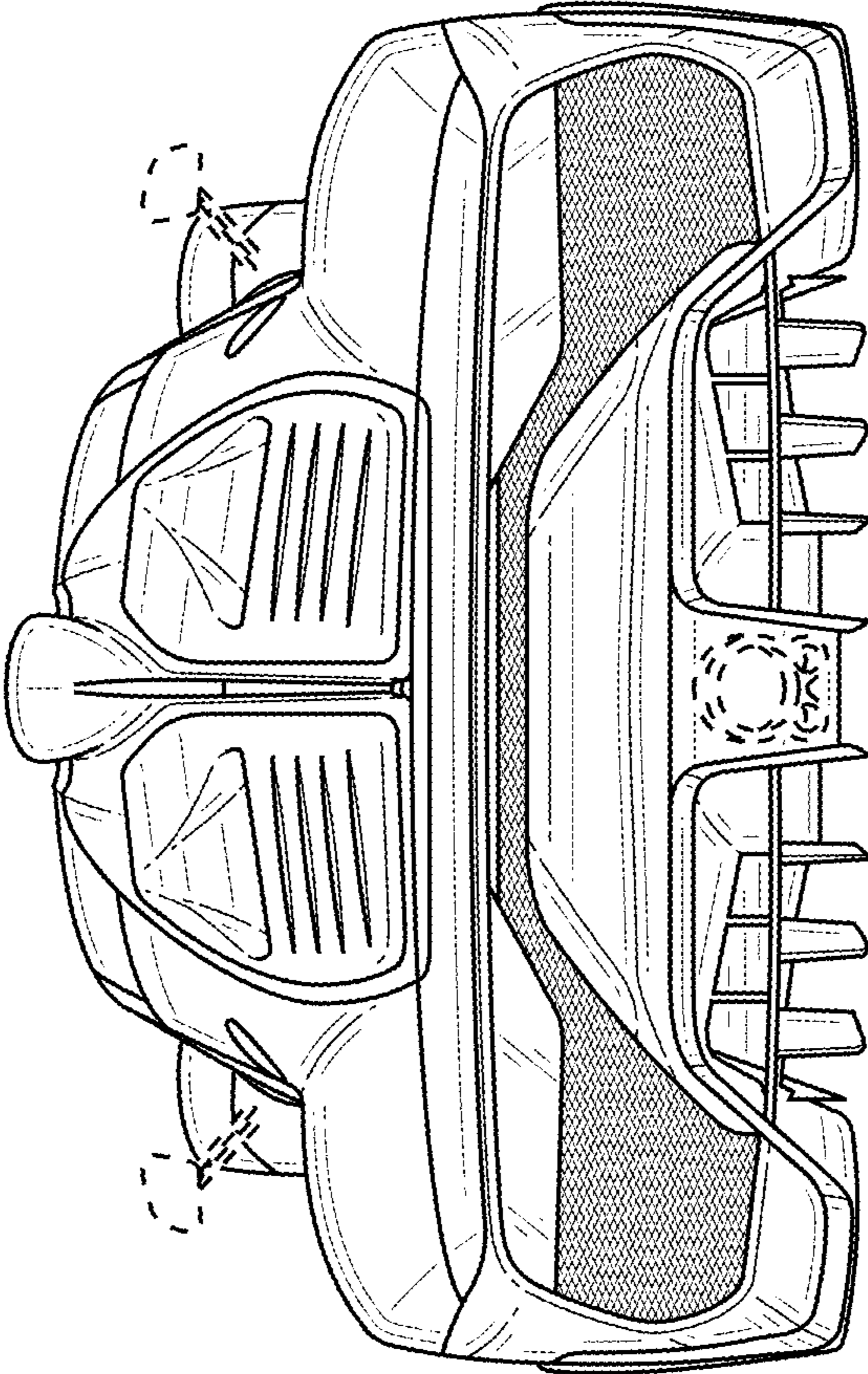
**FIG. 1**



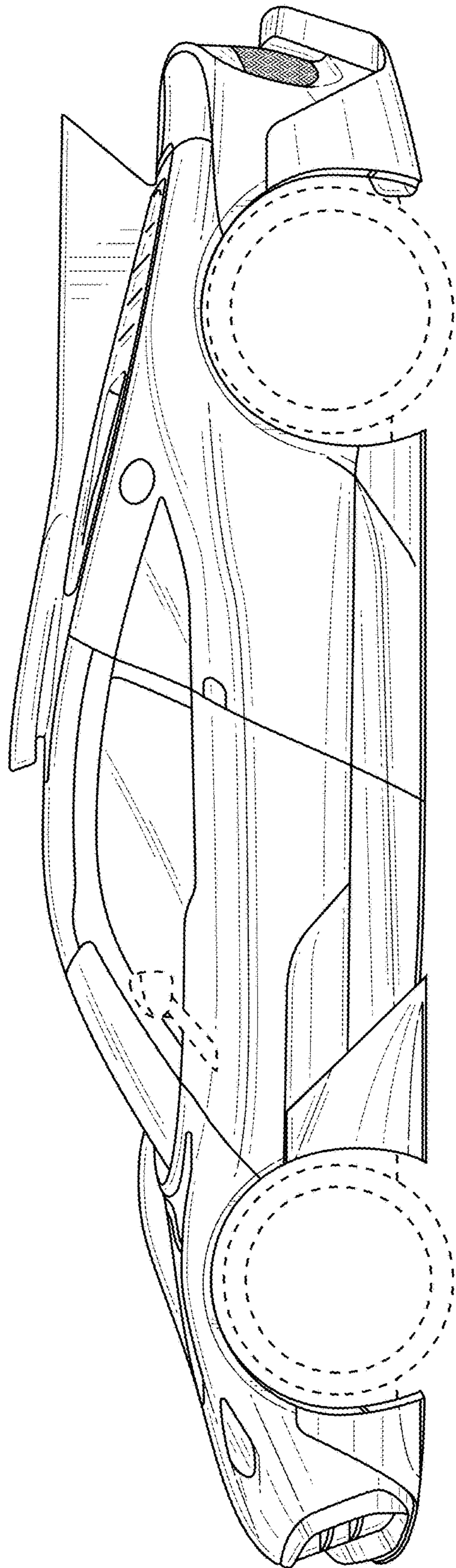
**FIG. 2**



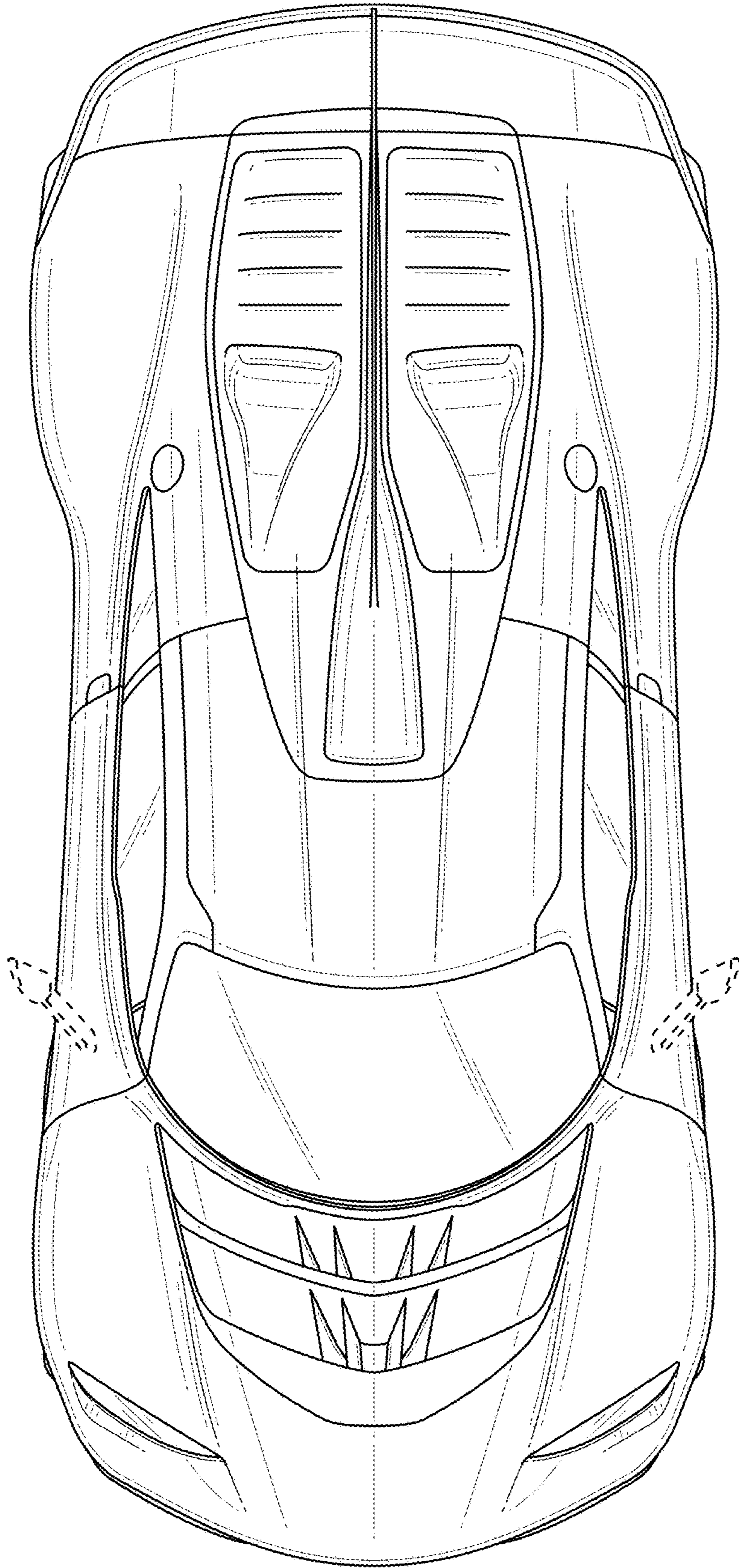
**FIG. 3**



**FIG. 4**



**FIG. 5**



**FIG. 6**