



US00D826088S

(12) **United States Design Patent**
Huntimer

(10) **Patent No.:** **US D826,088 S**

(45) **Date of Patent:** **** Aug. 21, 2018**

(54) **SNOWMOBILE SKI**

(71) Applicant: **Global Polymer Industries, Inc.**,
Madison, SD (US)

(72) Inventor: **Todd M. Huntimer**, Arlington, SD
(US)

(73) Assignee: **Global Polymer Industries, Inc.**,
Madison, SD (US)

(**) Term: **15 Years**

(21) Appl. No.: **29/601,464**

(22) Filed: **Apr. 21, 2017**

(51) **LOC (11) Cl.** **12-14**

(52) **U.S. Cl.**
USPC **D12/7**

(58) **Field of Classification Search**
USPC D12/6-11; D21/760, 771, 766-767
CPC B62B 19/00; B62B 19/02; B62B 19/04;
B62B 13/18; B62B 17/02; A63C 5/00;
A63C 5/03; B62M 27/02; B62M
2027/025
See application file for complete search history.

(56) **References Cited**

U.S. PATENT DOCUMENTS

- 5,836,594 A * 11/1998 Simmons B62B 17/02
280/28
- D403,988 S * 1/1999 Chapdelaine D12/7
- D408,759 S * 4/1999 Chapdelaine D12/7

- D492,913 S * 7/2004 Bruns D12/7
- D514,980 S * 2/2006 Kukkonen D12/7
- 2001/0022435 A1 * 9/2001 Cormican B62B 17/02
280/28
- 2002/0079659 A1 * 6/2002 Cormican B62B 17/02
280/22
- 2002/0109315 A1 * 8/2002 Cormican B62B 17/02
280/22
- 2007/0216114 A1 * 9/2007 Simmons B62B 17/02
280/28
- 2014/0054868 A1 * 2/2014 Ouellette A63C 5/00
280/9
- 2017/0129569 A1 * 5/2017 Mangum B62M 27/02

* cited by examiner

Primary Examiner — T. Chase Nelson

Assistant Examiner — Ania Aman

(74) *Attorney, Agent, or Firm* — Lowe Graham Jones
PLLC

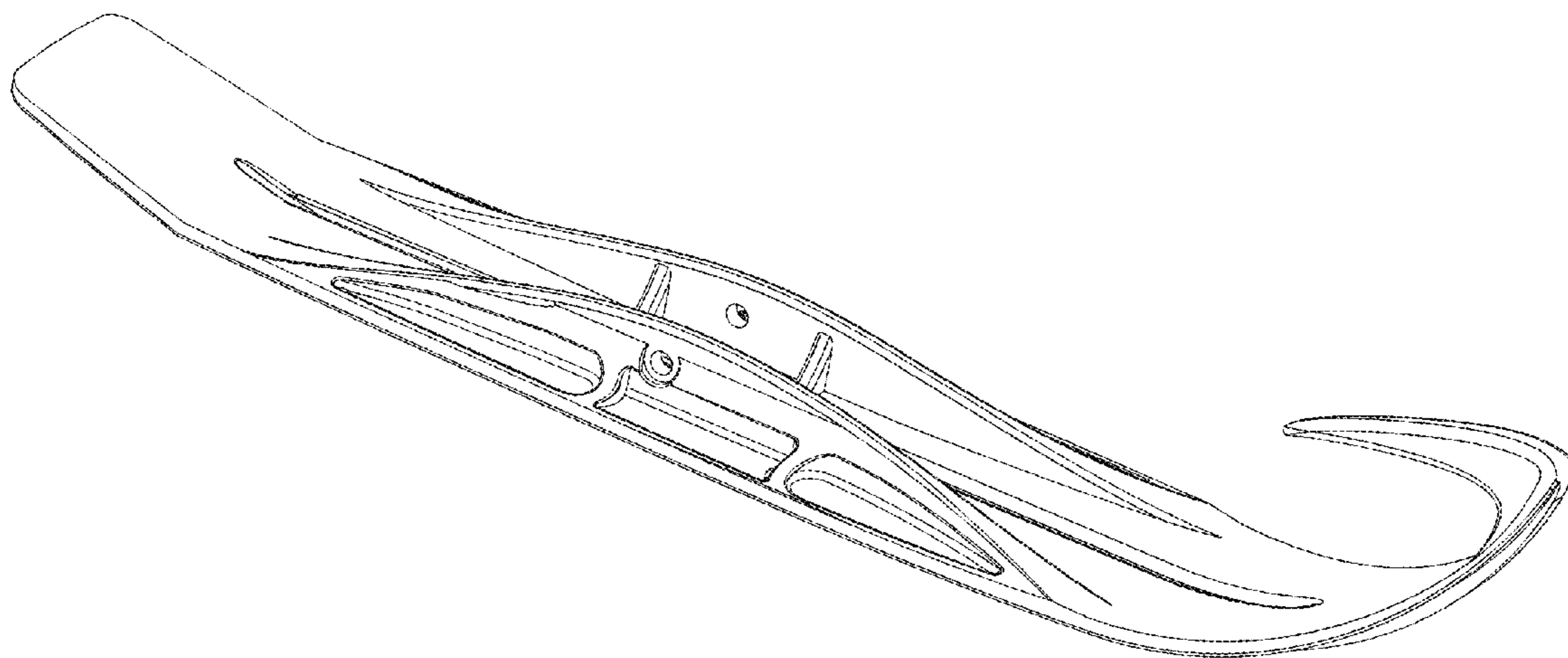
(57) **CLAIM**

I claim the ornamental design for a snowmobile ski, as shown and described.

DESCRIPTION

FIG. 1 is an isometric view of the snowmobile ski, showing our new design;
 FIG. 2 is a right-side elevational view of the ski, which is the mirror image of the left-side elevational view of the ski;
 FIG. 3 is a top view of the ski;
 FIG. 4 is a front-elevational view of the ski;
 FIG. 5 is a rear-elevational view of the ski; and,
 FIG. 6 is a bottom view of the ski.

1 Claim, 6 Drawing Sheets



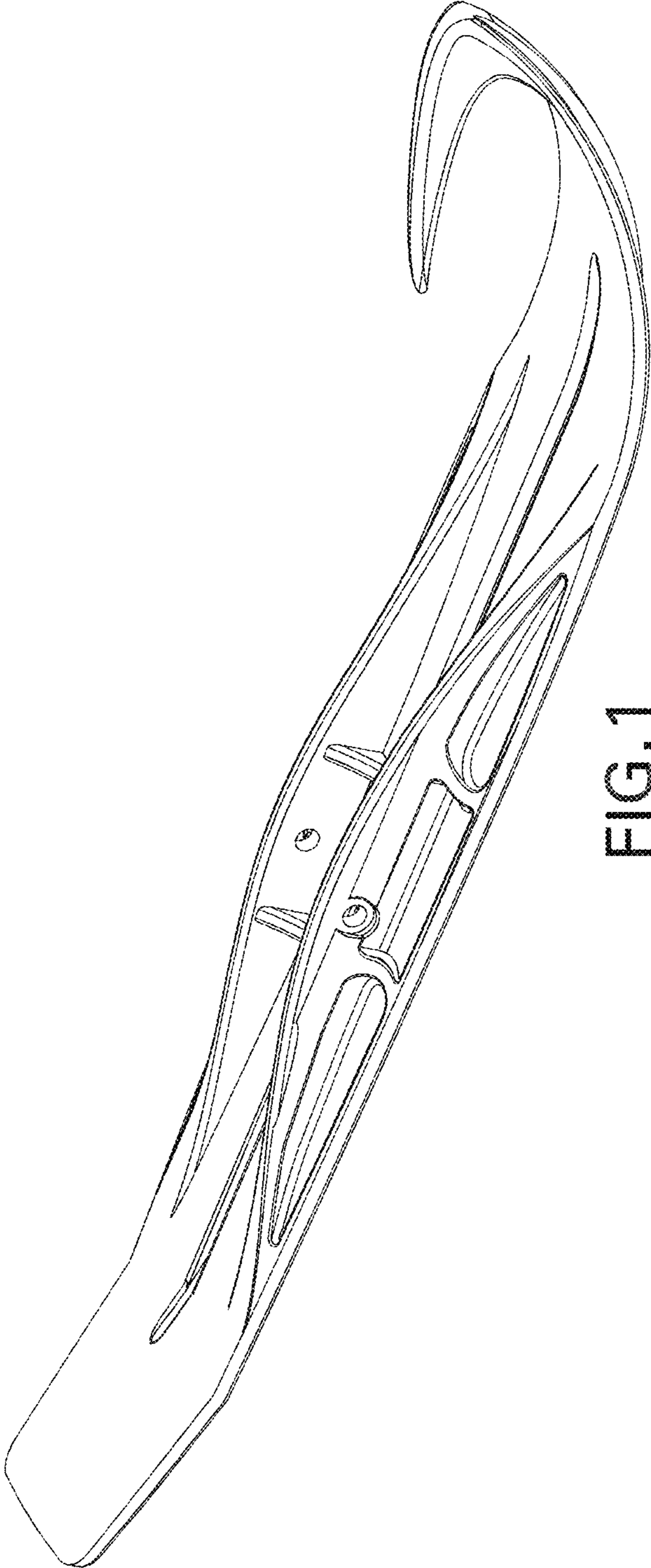


FIG. 1

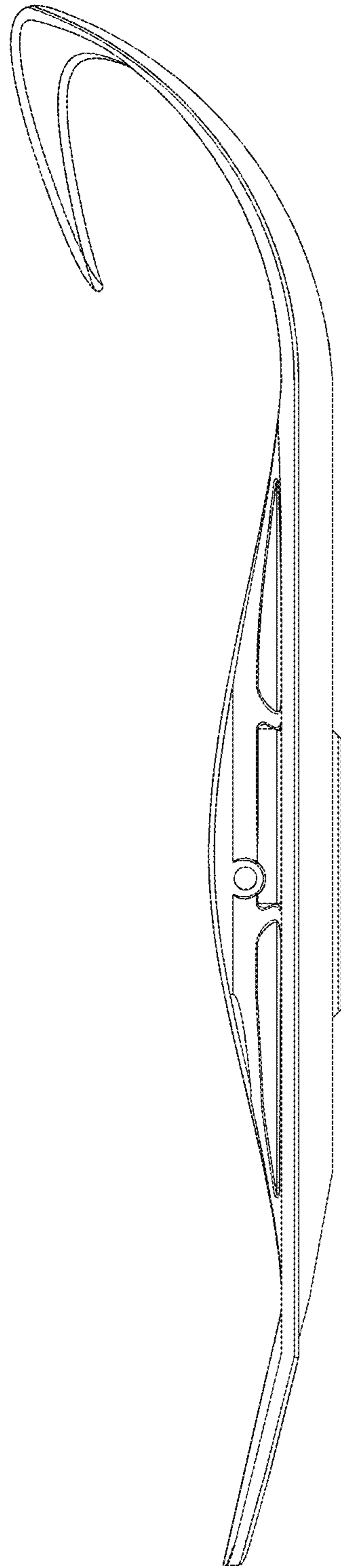


FIG. 2

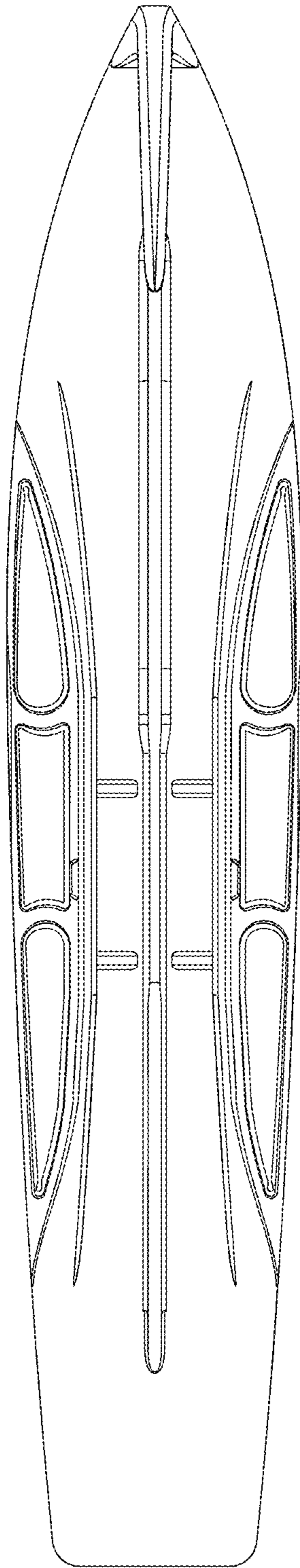


FIG. 3

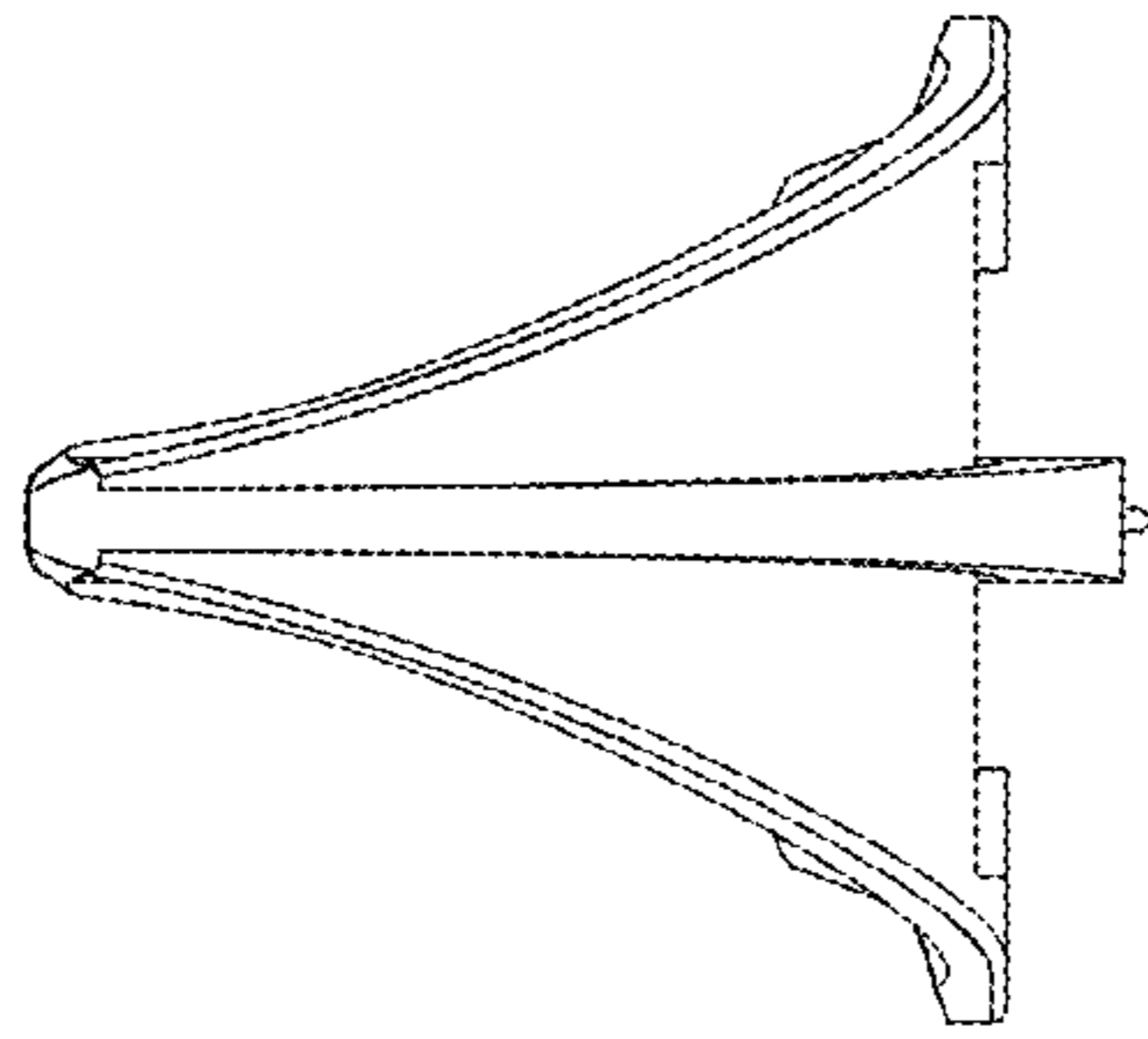


FIG.4

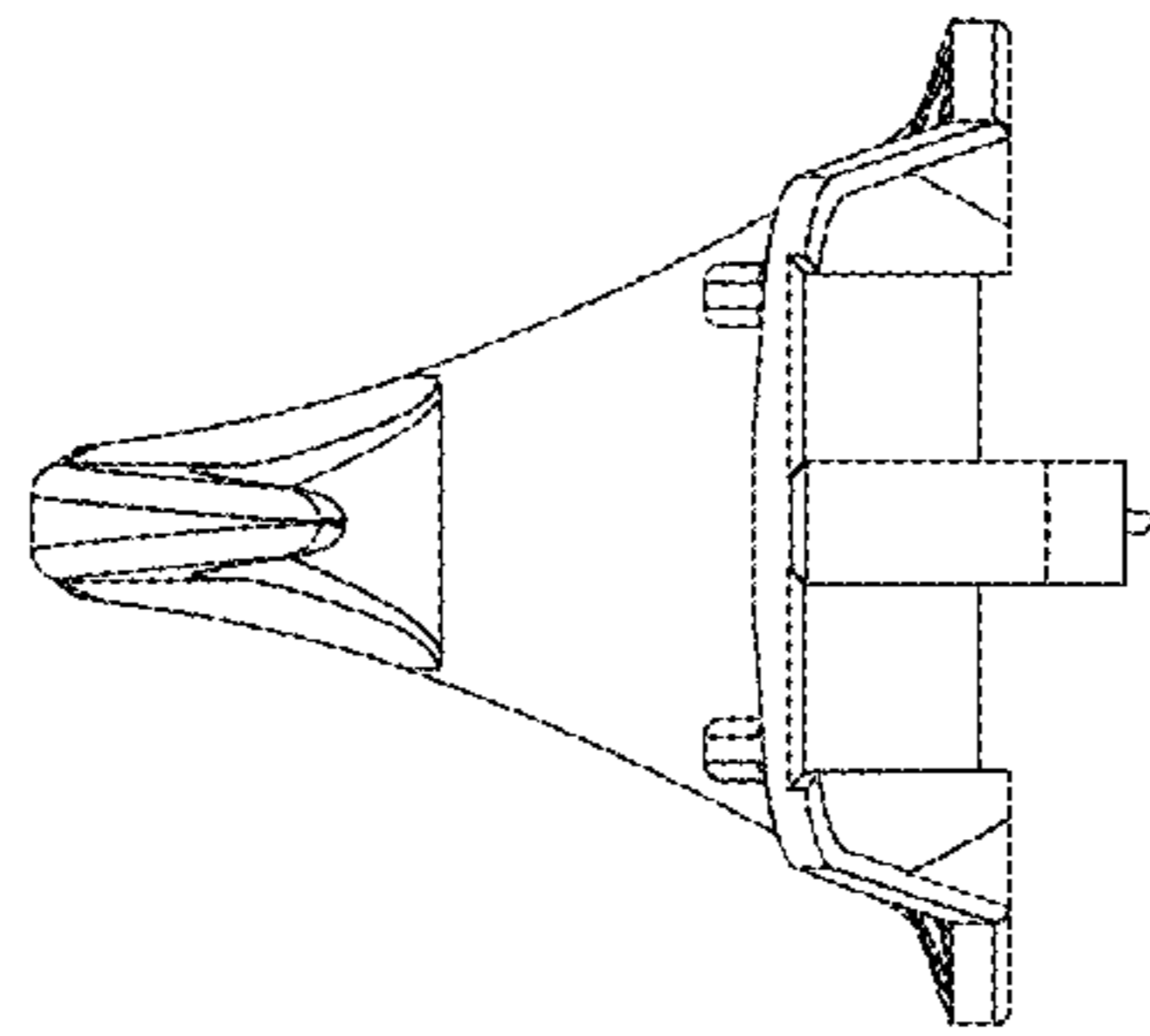


FIG. 5

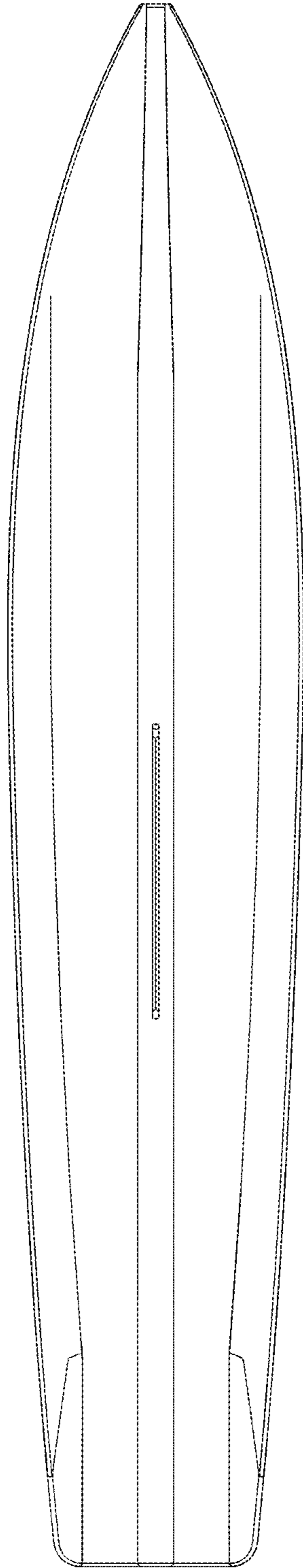


FIG. 6