



US00D826085S

(12) **United States Design Patent**
Morszeck

(10) **Patent No.:** **US D826,085 S**

(45) **Date of Patent:** **** Aug. 21, 2018**

- (54) **BUCKLE**
- (71) Applicant: **Rimowa GmbH**, Cologne (DE)
- (72) Inventor: **Dieter Morszeck**, Cologne (DE)
- (73) Assignee: **Rimowa GmbH**, Cologne (DE)
- (**) Term: **15 Years**
- (21) Appl. No.: **29/618,446**
- (22) Filed: **Sep. 21, 2017**
- (51) **LOC (11) Cl.** **02-07**
- (52) **U.S. Cl.**
USPC **D11/216**
- (58) **Field of Classification Search**
USPC D11/1-2, 200-201, 206-210, 214-218;
24/163 R, 169-171, 173, 177-179, 191,
24/194-195, 197, 200, 614-616, 625,
24/634, 648, 198, 578.11, 578.1, 163 K,
24/114; D2/853, 624
CPC A44B 11/26; A44B 11/25; A44B 11/06;
A44B 11/266; A44B 11/04; A44B 11/01;
A44B 11/001; A44B 11/10
See application file for complete search history.

- D621,743 S * 8/2010 Hortnagl D11/216
- D621,744 S * 8/2010 Hortnagl D11/218
- 8,181,319 B2 * 5/2012 Johnson A44B 11/253
182/3
- D687,347 S * 8/2013 Gillan D11/218
- 8,561,268 B2 * 10/2013 Hortnagl A44B 11/2592
24/625
- D702,594 S * 4/2014 Lin D11/216
- D703,580 S * 4/2014 Lin D11/216
- D705,122 S * 5/2014 Nykoluk D11/216
- D710,249 S * 8/2014 Nilsen D11/218
- D735,606 S * 8/2015 Grant D11/218
- D739,302 S * 9/2015 Nilsen D11/218
- 9,415,247 B2 * 8/2016 Schurian A62B 35/0025
- D799,369 S * 10/2017 Eggers D11/216

* cited by examiner

Primary Examiner — Ralf T Seifert

(74) *Attorney, Agent, or Firm* — BainwoodHuang

(57) **CLAIM**

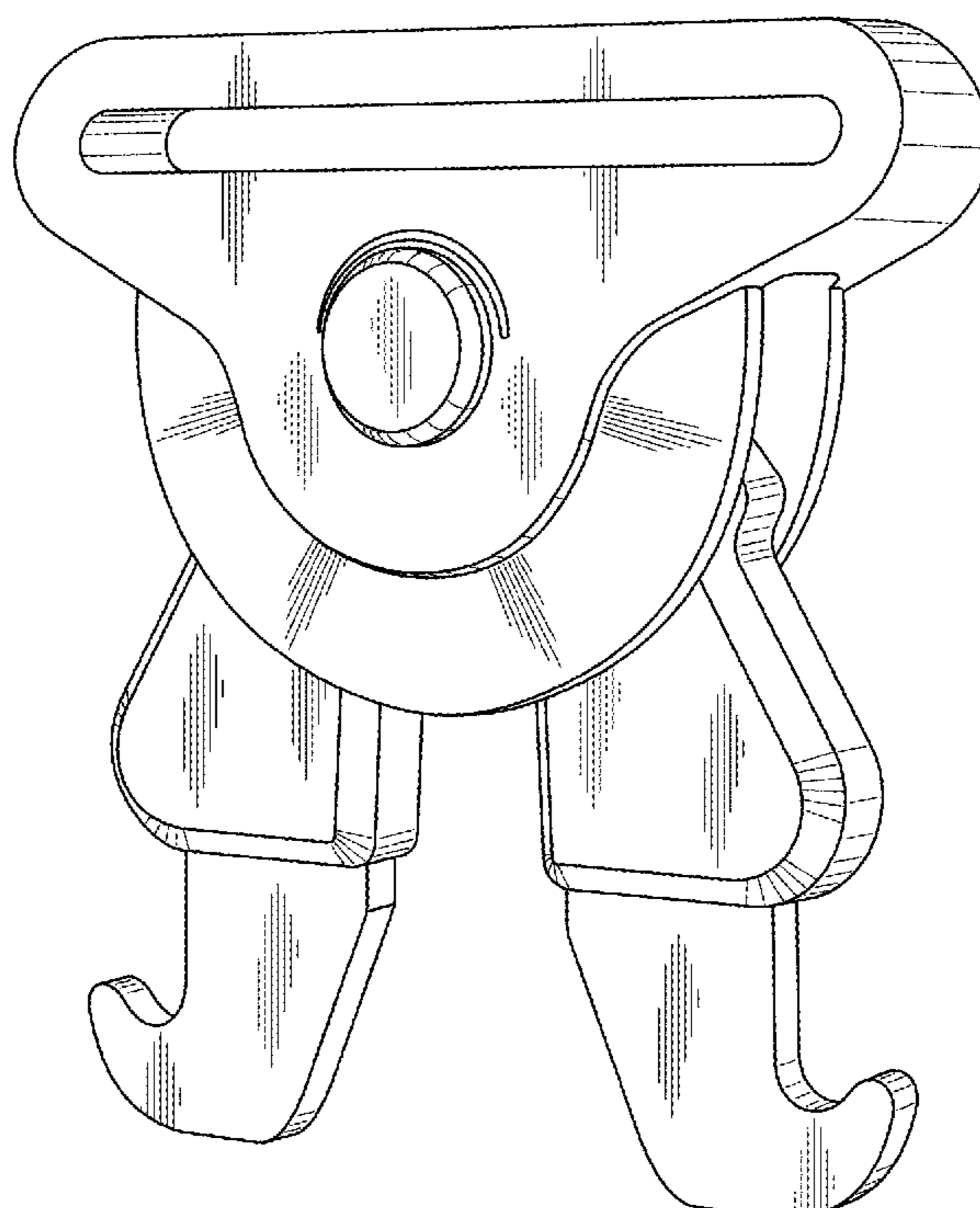
The ornamental design for buckle, as shown.

DESCRIPTION

FIG. 1 is a perspective front view of a first buckle according to my new design;
 FIG. 2 is a front view thereof;
 FIG. 3 is a rear view thereof;
 FIG. 4 is a left side view thereof;
 FIG. 5 is a right side view thereof;
 FIG. 6 is a bottom view thereof; and,
 FIG. 7 is a top view thereof.

1 Claim, 7 Drawing Sheets

- (56) **References Cited**
U.S. PATENT DOCUMENTS
D264,766 S * 6/1982 Huff D11/216
D292,192 S * 10/1987 Kasai D11/216
D342,465 S * 12/1993 Anthony D11/200
D444,100 S * 6/2001 Kelleghan D11/216



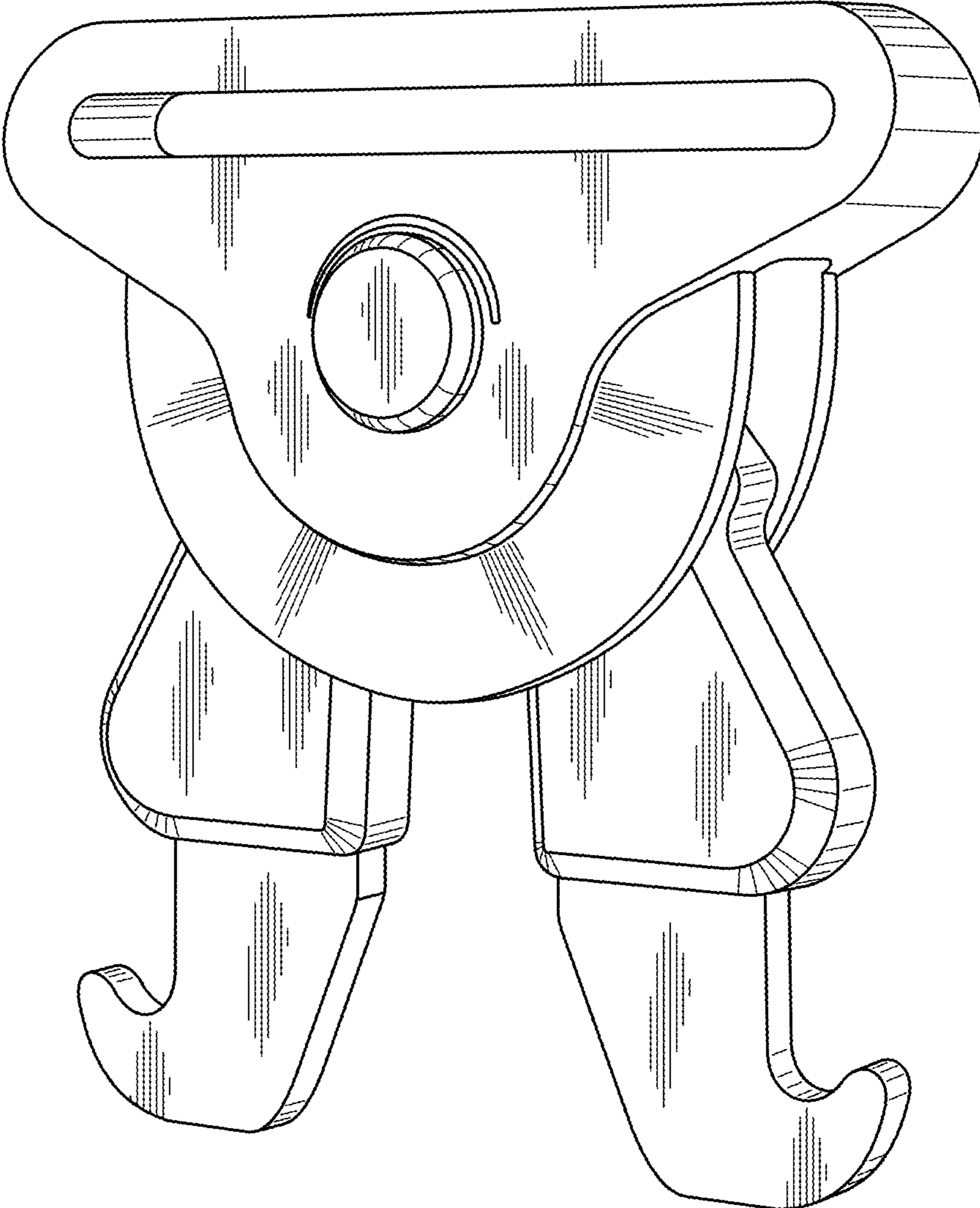


FIG. 1

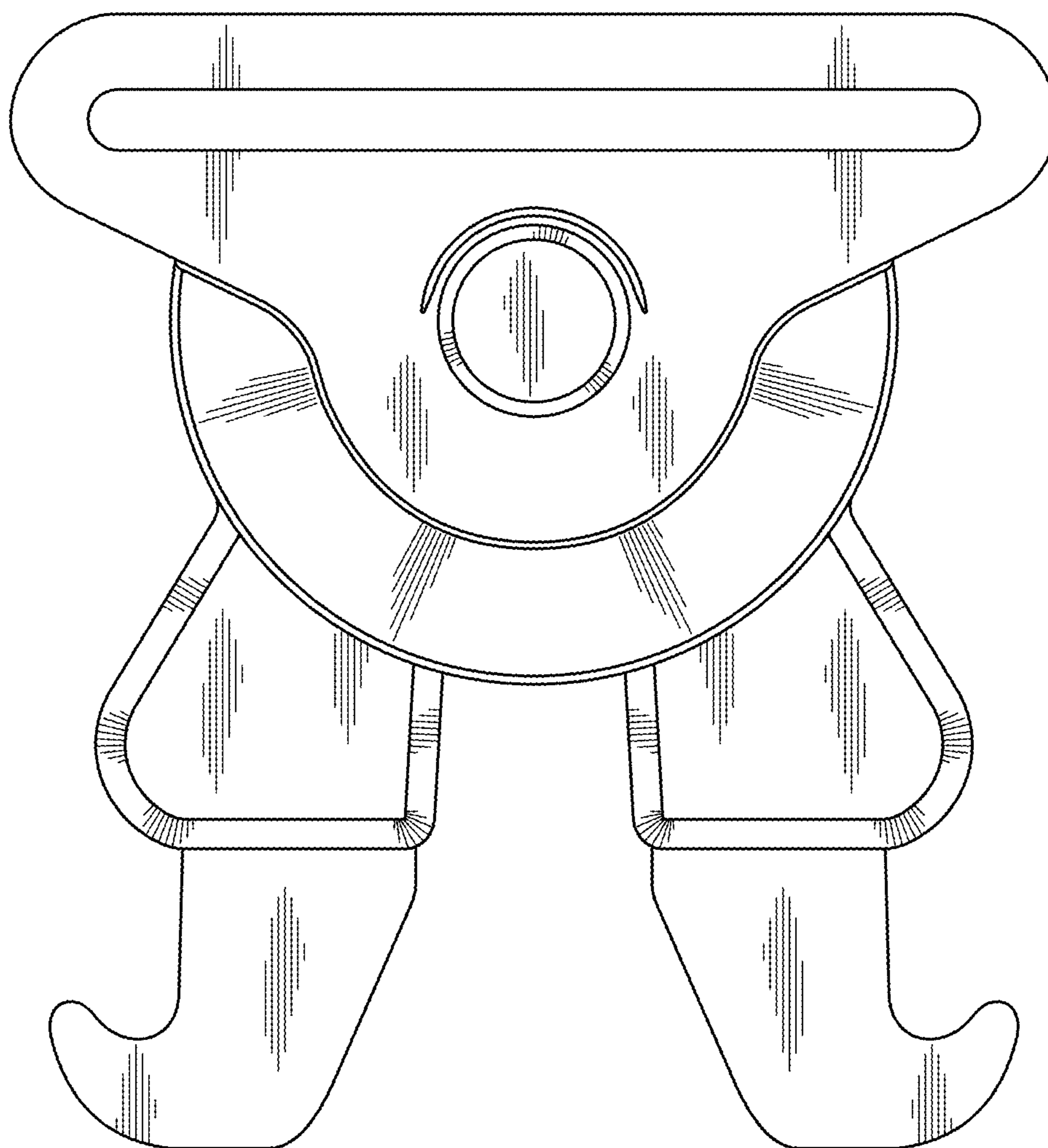


FIG. 2

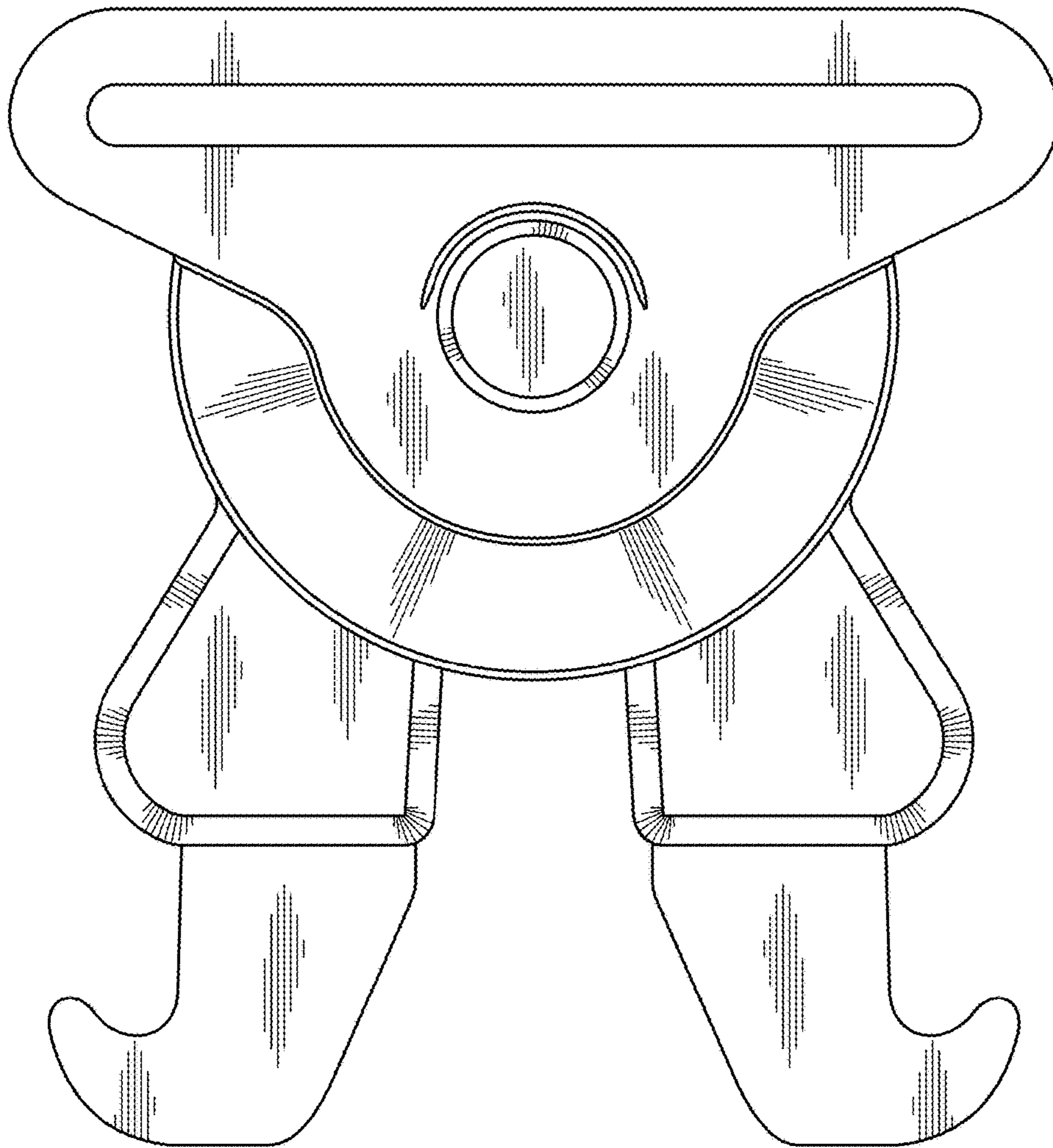


FIG. 3

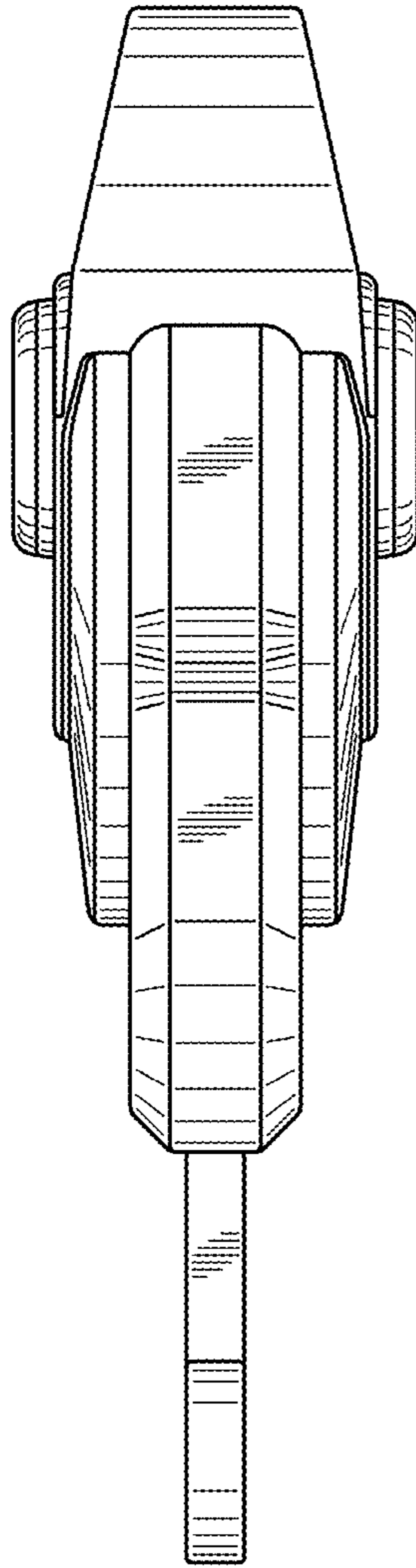


FIG. 4

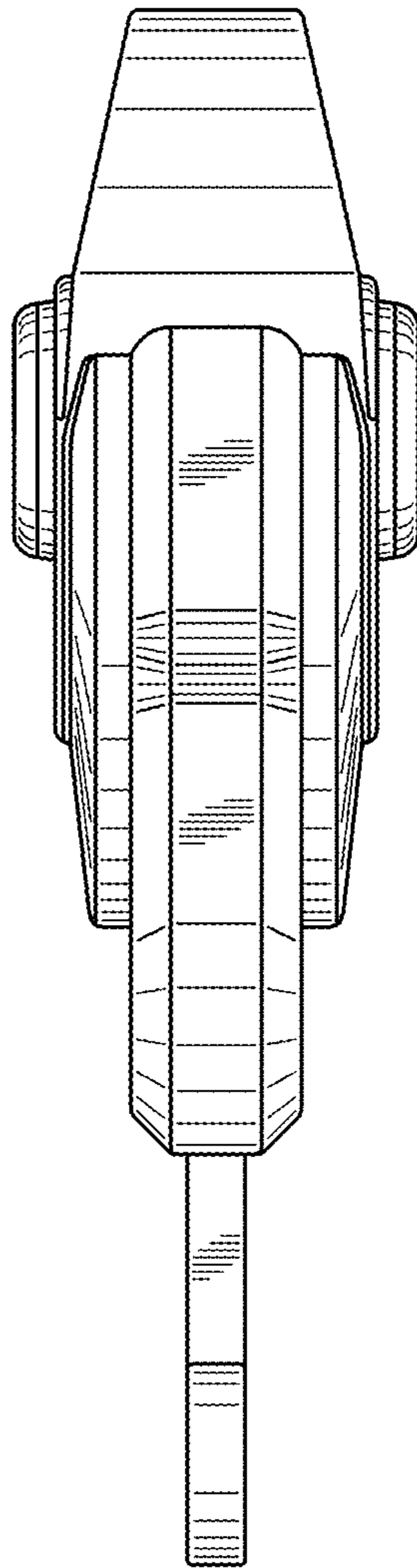


FIG. 5

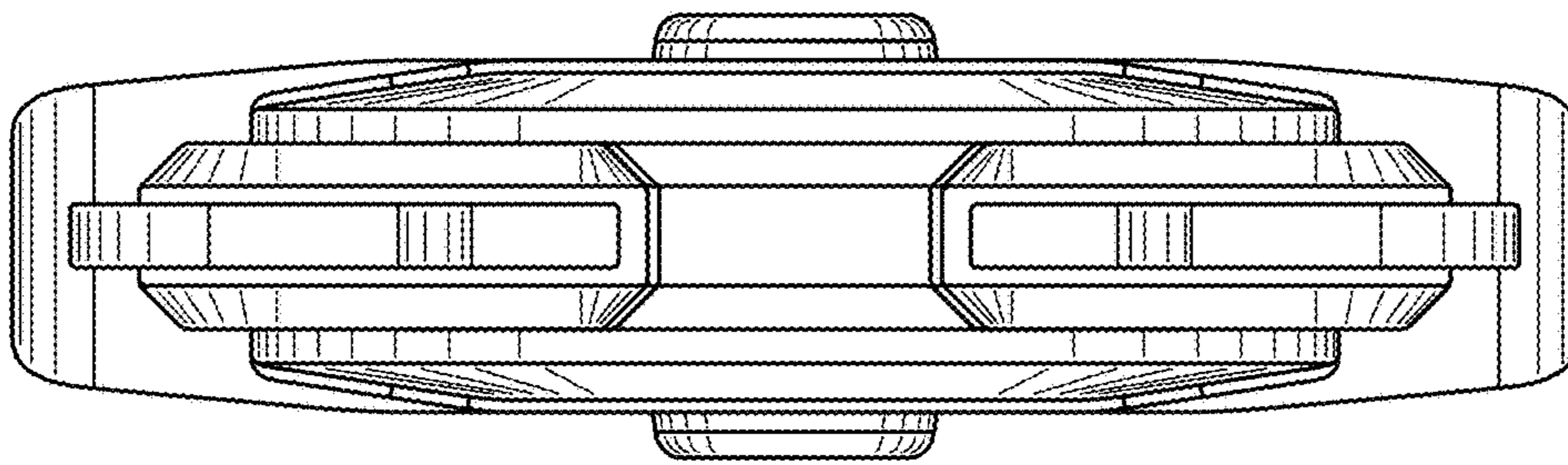


FIG. 6

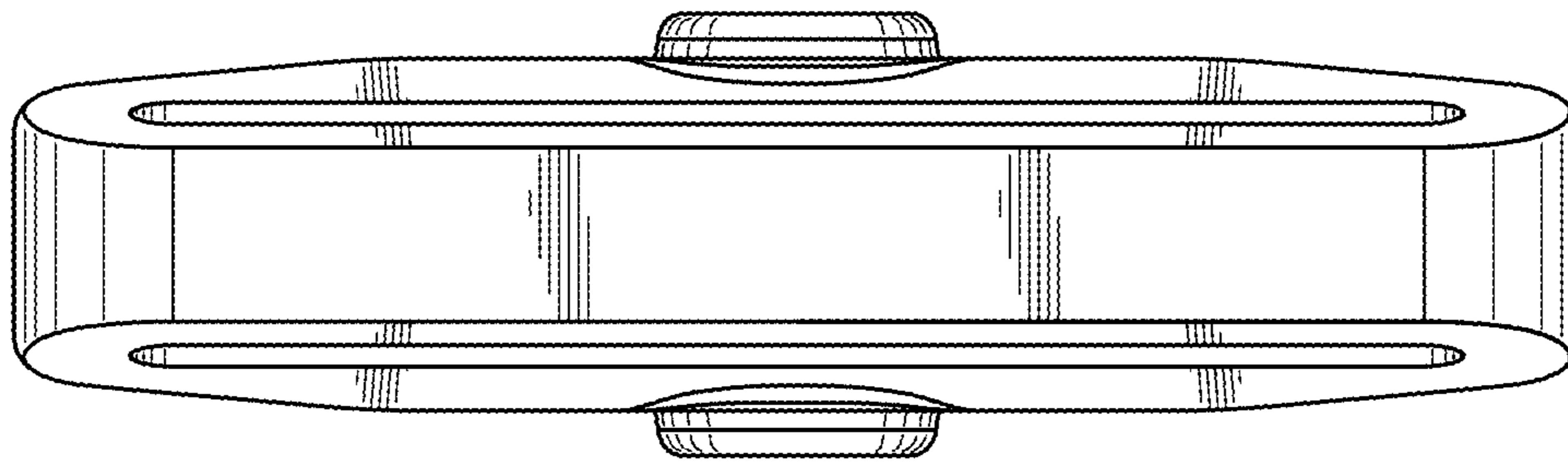


FIG. 7