



US00D826083S

(12) **United States Design Patent** (10) **Patent No.:** **US D826,083 S**
Miller (45) **Date of Patent:** **** Aug. 21, 2018**

- (54) **SURVIVOR BELT BUCKLE**
- (71) Applicant: **Ronald Miller**, Port Orchard, WA (US)
- (72) Inventor: **Ronald Miller**, Port Orchard, WA (US)
- (**) Term: **15 Years**
- (21) Appl. No.: **29/614,051**
- (22) Filed: **Aug. 15, 2017**

Related U.S. Application Data

- (63) Continuation of application No. 15/196,455, filed on Jun. 29, 2016.
- (51) **LOC (11) Cl.** **02-07**
- (52) **U.S. Cl.**
USPC **D11/201**
- (58) **Field of Classification Search**
USPC D11/1-2, 200-201, 206-210, 214-218;
24/163 R, 169-171, 173, 177-179, 191,
24/194-195, 197, 200, 614-616, 625,
24/198, 578.11, 578.1, 163 K, 114;
D2/853, 624; 224/163; 431/274;
63/1.12; 2/338
CPC A44B 11/26; A44B 11/25; A44B 11/06;
A44B 11/266; A44B 11/04; A44B 11/01;
A44B 11/001; A44B 11/10; A45C 15/00;
B26B 3/06
See application file for complete search history.

(56) **References Cited**

U.S. PATENT DOCUMENTS

- 3,823,422 A * 7/1974 Forgett, Jr. A41F 9/002
2/321
- 3,885,250 A * 5/1975 Schiller A41F 9/002
2/321

- D244,807 S * 6/1977 Bardoni D11/215
- 4,096,979 A * 6/1978 Collins A45C 11/00
206/234
- D251,339 S * 3/1979 Tulak D11/201
- 4,389,775 A * 6/1983 Collins A44B 11/005
224/163
- D271,061 S * 10/1983 Zimmerman 224/163
- D274,289 S * 6/1984 Kuntz D11/236
- 4,466,561 A * 8/1984 Slaughter A44B 11/005
206/349
- 4,753,377 A * 6/1988 Poluhowich A44B 11/005
2/338
- D474,713 S * 5/2003 Eddy D11/201
- D684,500 S * 6/2013 Lassiter D11/200
- D691,920 S * 10/2013 Smith D11/231
- D719,483 S * 12/2014 Wilson D11/200
- D723,974 S * 3/2015 De Sade D11/200
- D752,479 S * 3/2016 Taylor D11/201
- D756,841 S * 5/2016 Torrez D11/231

* cited by examiner

Primary Examiner — Ralf Seifert

(74) *Attorney, Agent, or Firm* — Dean A Craine

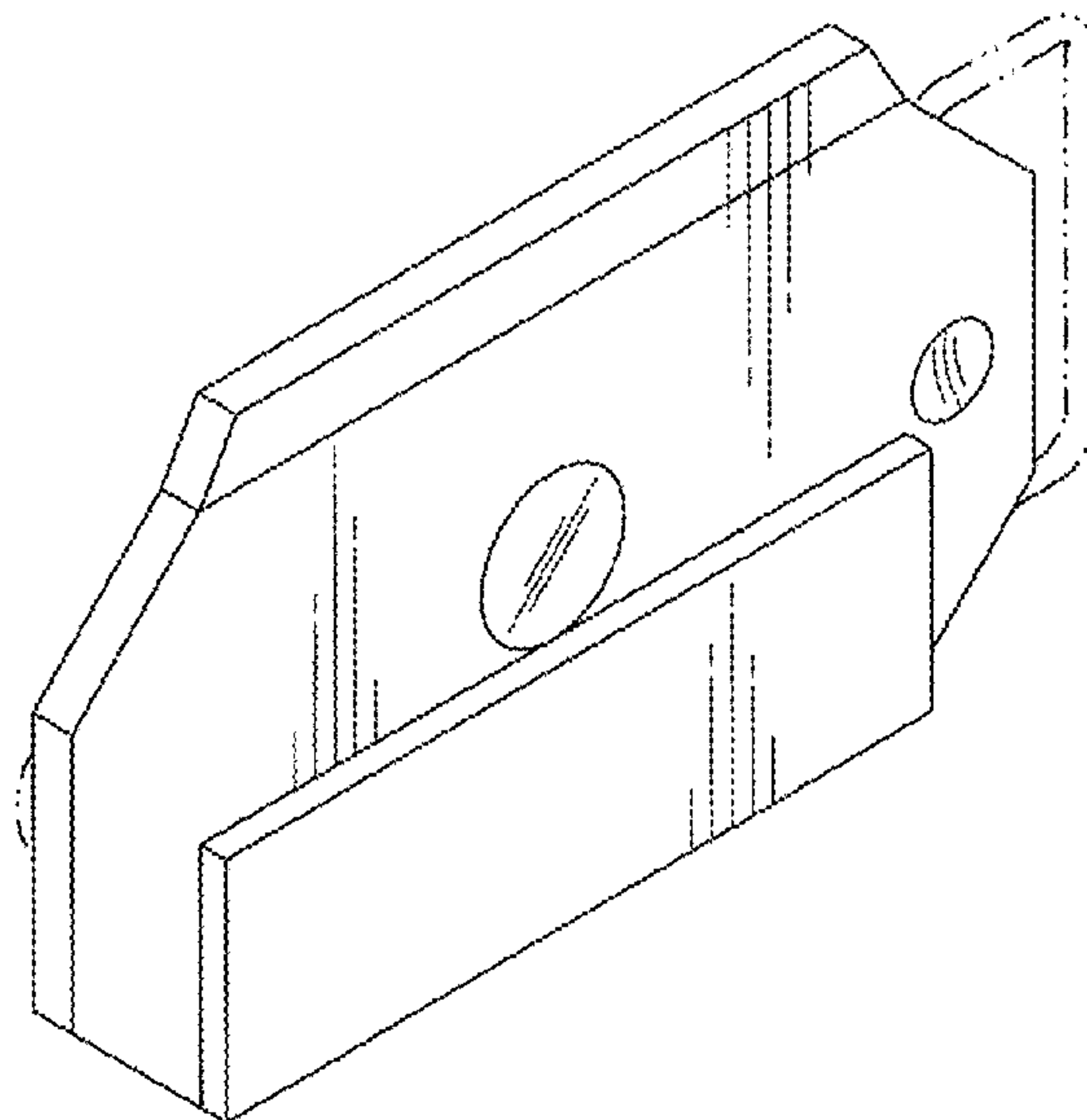
(57) **CLAIM**

The ornamental design for a survivor belt buckle, as shown and described.

DESCRIPTION

FIG. 1 is a top, front perspective view of a survivor belt buckle and belt.
 FIG. 2 is a top, rear perspective view of the belt buckle.
 FIG. 3 is a top plan view of the invention.
 FIG. 4 is a front elevational view of the invention.
 FIG. 5 is a rear elevational view of the invention; and,
 FIG. 6 is a left side elevational view of the invention.
 The belt, loop and prong shown in broken lines are for illustration purposes and form no part of the claimed design.

1 Claim, 2 Drawing Sheets



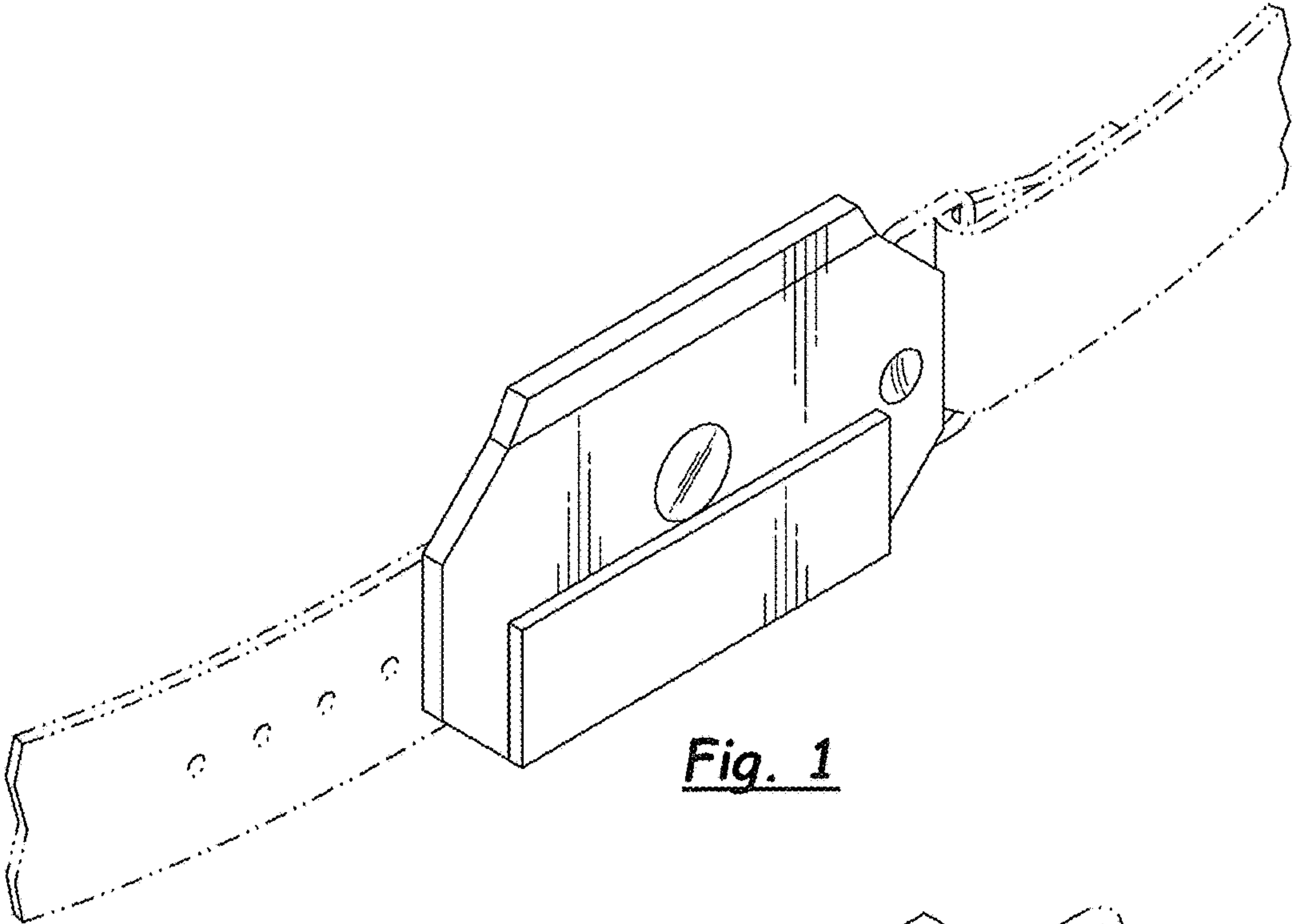


Fig. 1

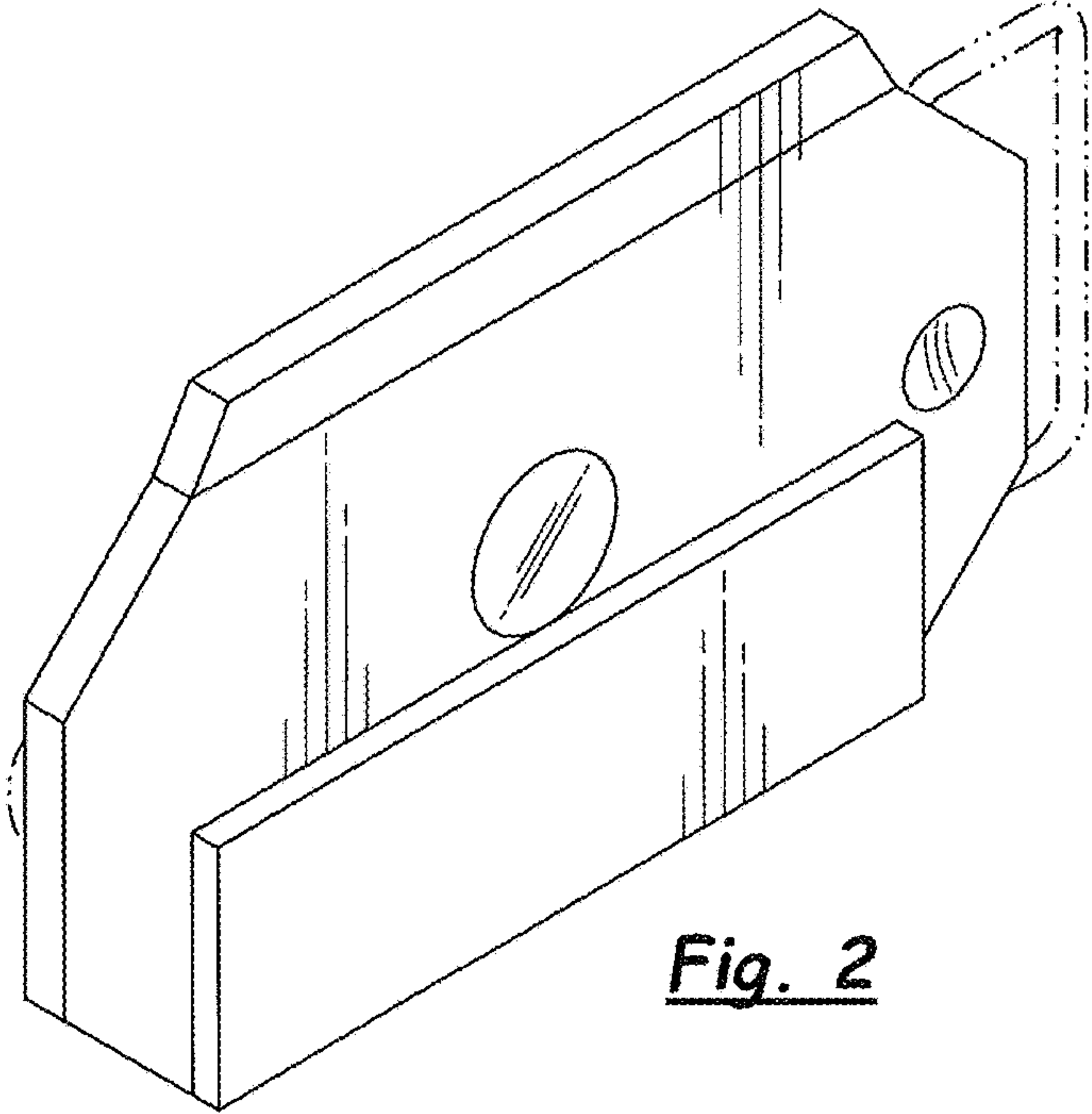


Fig. 2

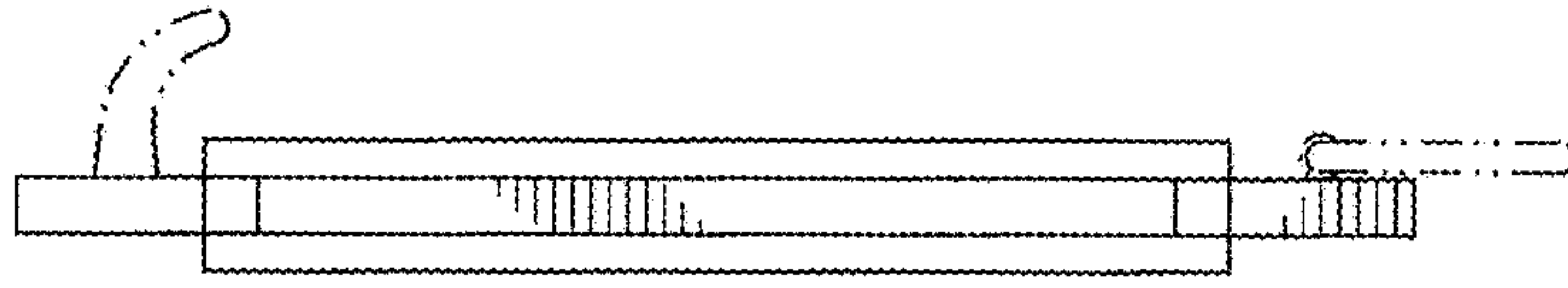


Fig. 3

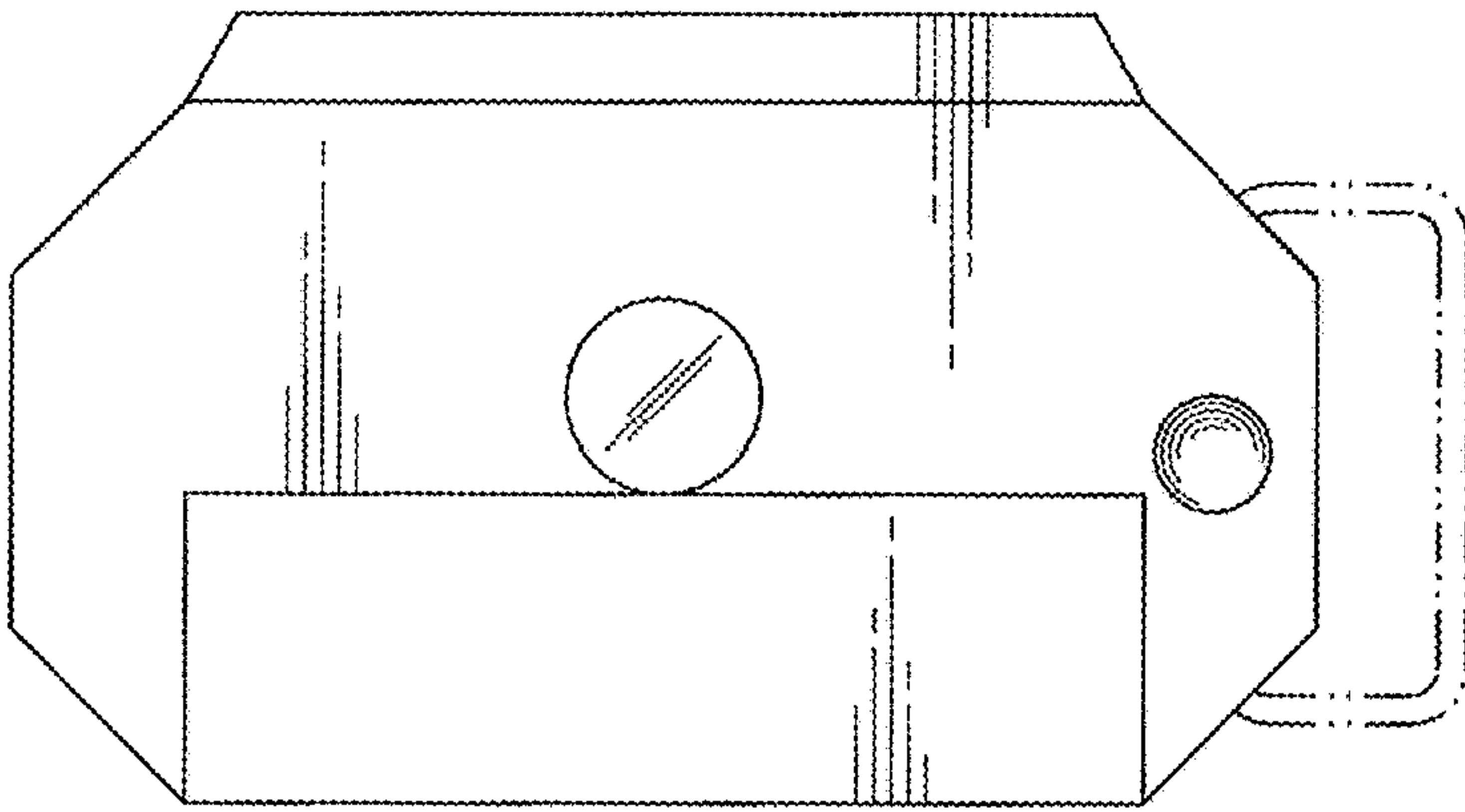


Fig. 4

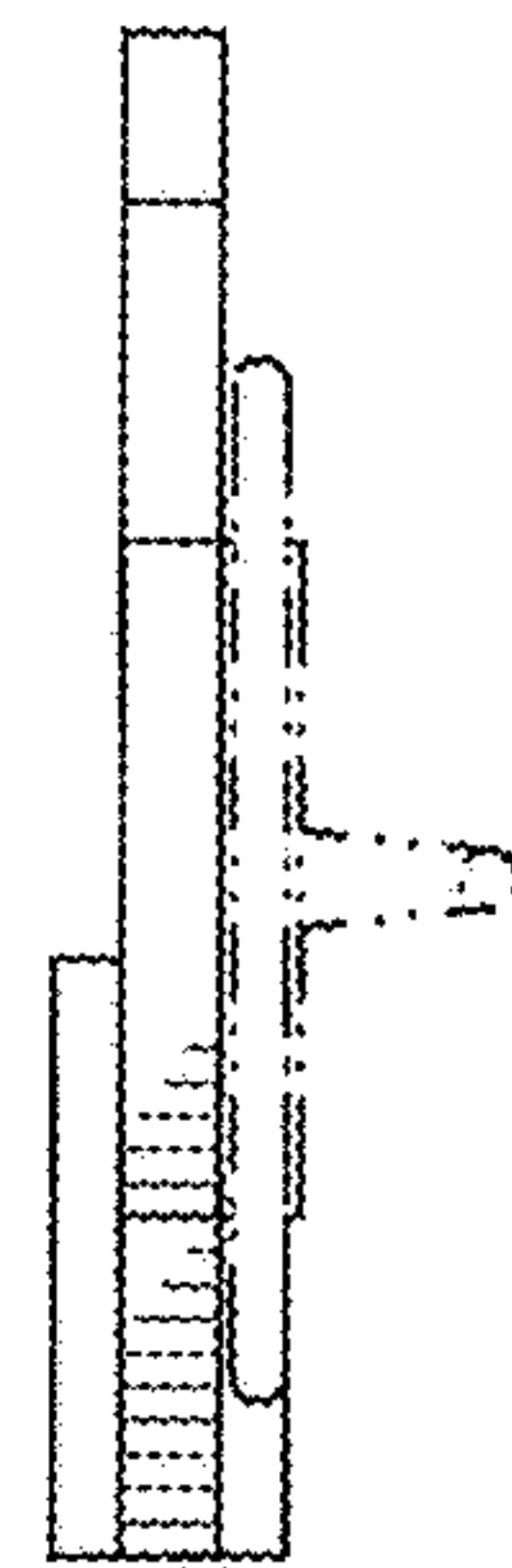


Fig. 6

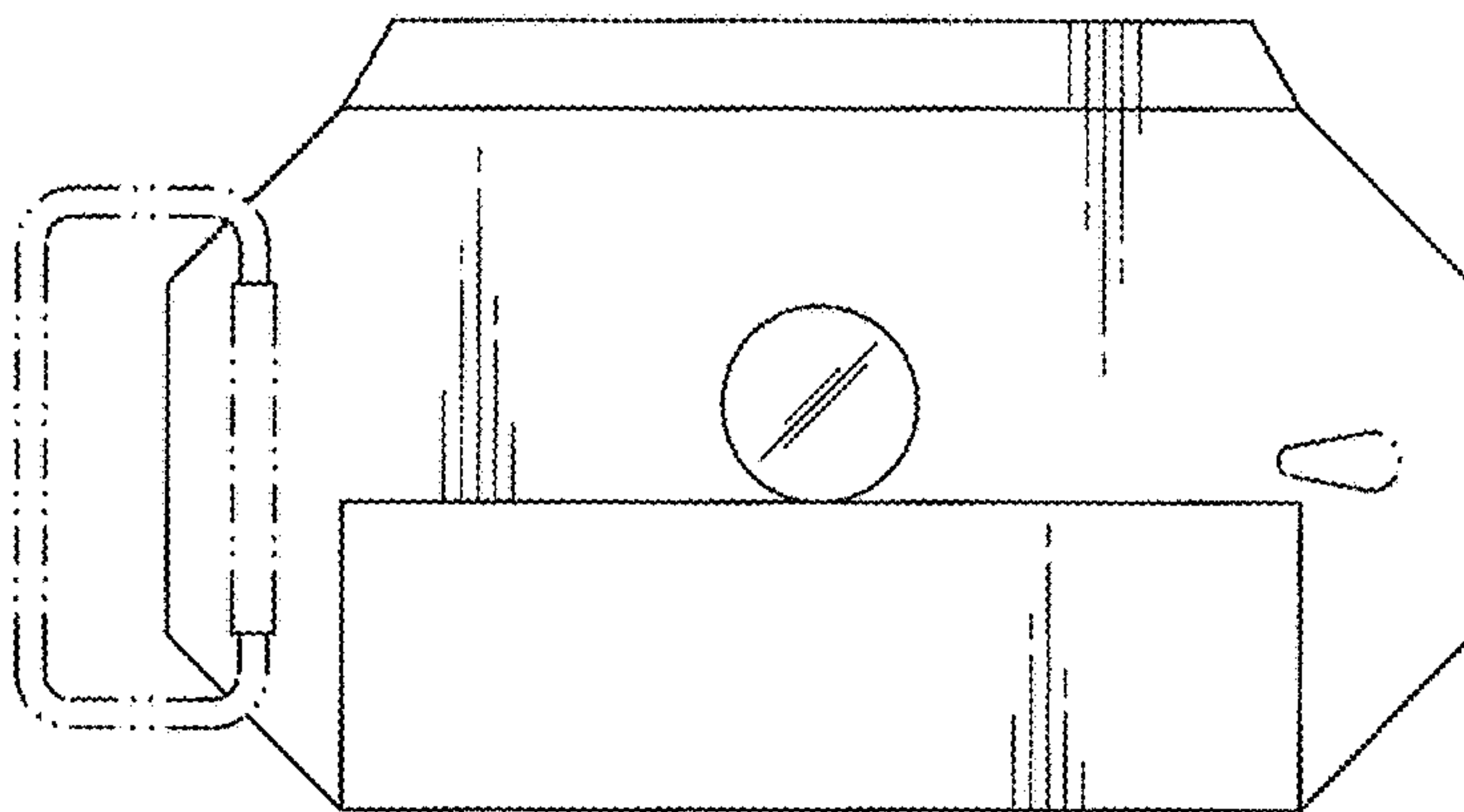


Fig. 5