



US00D826082S

(12) **United States Design Patent** (10) **Patent No.:** **US D826,082 S**
Khubani (45) **Date of Patent:** **** Aug. 21, 2018**

(54) **TREE DECORATING APPARATUS**
(71) Applicant: **Telebrands Corp.**, Fairfield, NJ (US)
(72) Inventor: **Ajit Khubani**, Saddle River, NJ (US)
(73) Assignee: **Telebrands Corp.**, Fairfield, NJ (US)
(**) Term: **15 Years**
(21) Appl. No.: **29/586,885**
(22) Filed: **Dec. 7, 2016**

4,870,547 A 9/1989 Crucefix
5,057,976 A 10/1991 DuMong
5,094,893 A * 3/1992 Snider A47G 33/06
211/205
5,150,963 A 9/1992 Hill
(Continued)

FOREIGN PATENT DOCUMENTS

CA 1270292 6/1990
DE 202006008823 9/2006
WO WO 2010007189 1/2010

OTHER PUBLICATIONS

GeekMyTree Easy Setup, Dec. 16, 2015, [online], [site visited Aug. 10, 2017]. Retrieved from url:https://www.youtube.com/watch?v=asA18MqD87c.*

(Continued)

Primary Examiner — Jeffrey D Asch
Assistant Examiner — Tracey J Bell
(74) *Attorney, Agent, or Firm* — Cooper & Dunham LLP

(57) **CLAIM**

The ornamental design for a tree decorating apparatus, as shown and described.

DESCRIPTION

FIG. 1 is a top perspective view of a tree decorating apparatus in accordance with the present design; FIG. 2 is a bottom perspective view thereof; FIG. 3 is a front view thereof; FIG. 4 is a back view thereof; FIG. 5 is a left side view thereof; FIG. 6 is a right side view thereof; FIG. 7 is a top view thereof; and, FIG. 8 is a bottom view thereof. The shading represents contour of the claimed design.

1 Claim, 4 Drawing Sheets

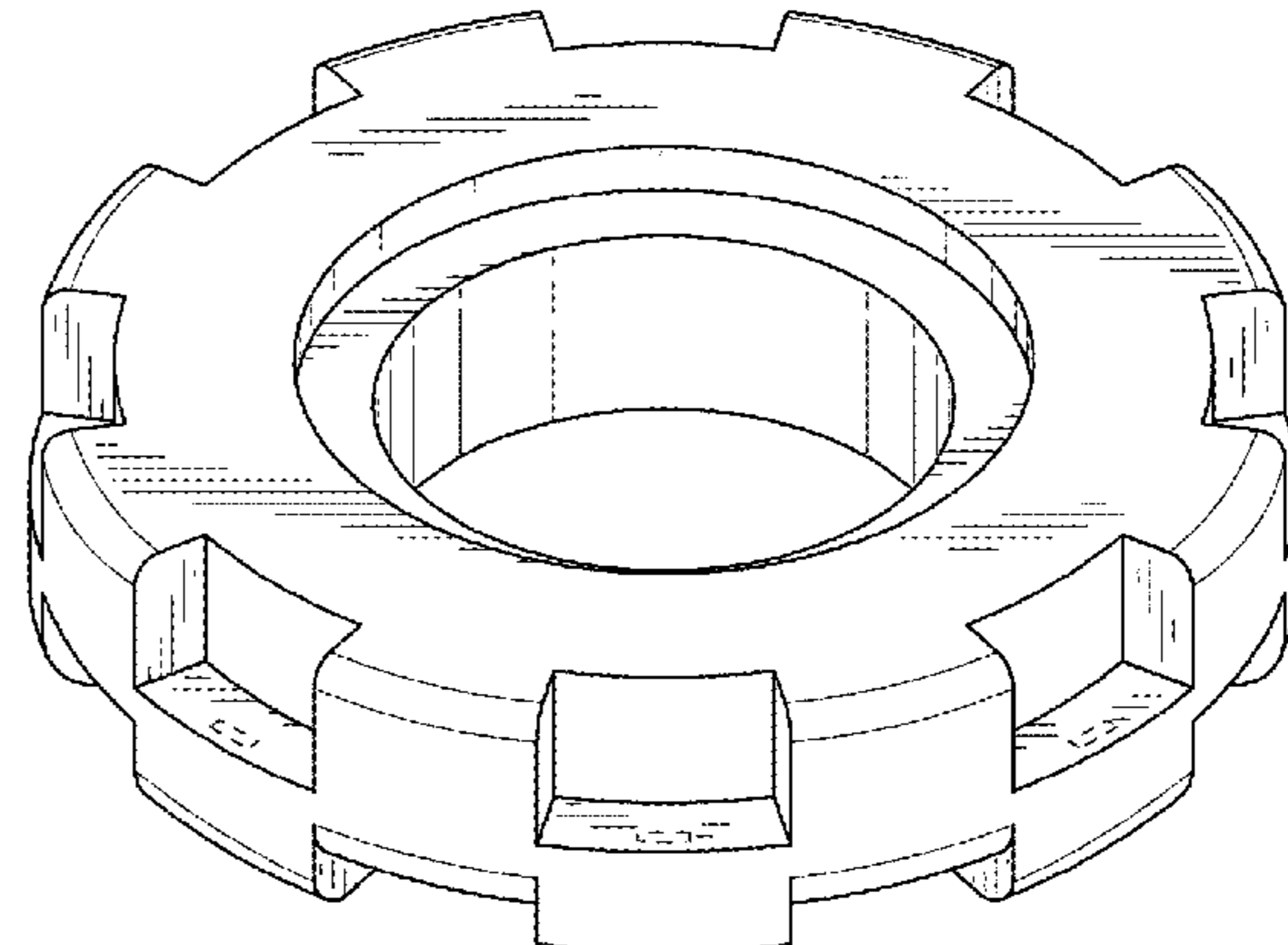
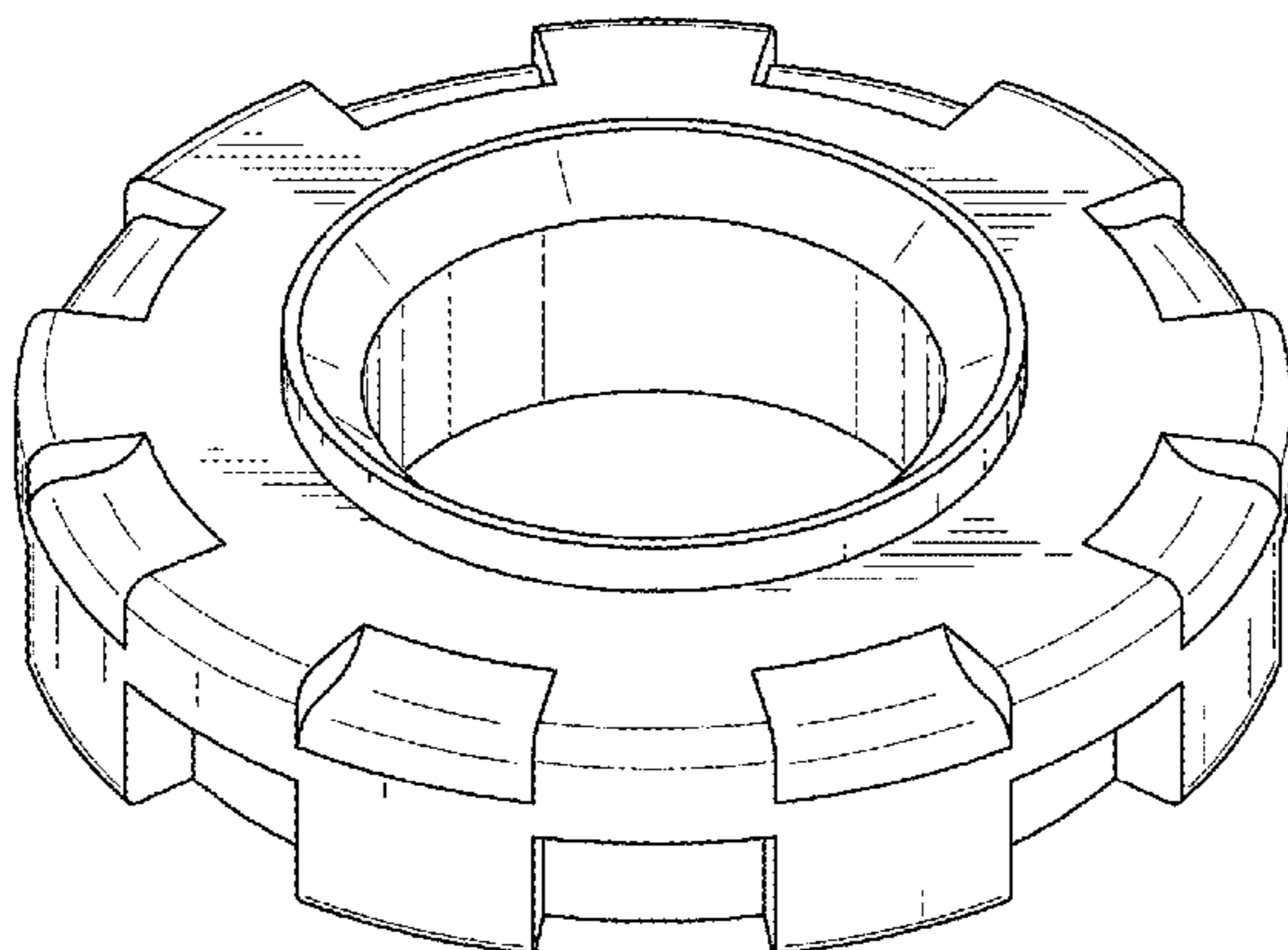
Related U.S. Application Data

(63) Continuation of application No. 29/571,152, filed on Jul. 14, 2016.
(51) **LOC (11) Cl.** **11-05**
(52) **U.S. Cl.**
USPC **D11/121; D11/124**
(58) **Field of Classification Search**
USPC D11/40, 41, 42, 121, 124, 125, 130, 127, D11/132, 139, 17, 79, 91, 76, 117, 118; 428/7, 8, 9, 11, 18, 20; D26/25; D20/10, D20/99; 326/123; 362/294.14
CPC A47G 33/08; A47G 2033/0827; A47G 2033/089; Y10S 362/806; Y10S 362/811; Y10S 493/956; F21W 2121/04; F21S 4/10; F21V 23/003
See application file for complete search history.

(56) **References Cited**

U.S. PATENT DOCUMENTS

2,242,597 A * 5/1941 Quandee F21V 23/06
362/123
3,723,723 A 3/1973 Lerner
4,591,227 A 5/1986 Colonna
D287,769 S * 1/1987 Davis D11/119
4,705,483 A * 11/1987 Davis H01R 25/003
439/502
4,736,282 A * 4/1988 Ahroni F21S 2/00
362/123



(56)

References Cited

U.S. PATENT DOCUMENTS

5,223,067 A * 6/1993 Hamamoto B29C 53/805
 156/169
 D358,673 S * 5/1995 Thompson D11/121
 5,523,130 A 6/1996 Sullivan
 5,700,081 A 12/1997 Mengle
 5,746,504 A * 5/1998 Dodson F21V 21/088
 362/123
 5,865,341 A * 2/1999 Martin B23K 9/202
 221/197
 6,224,231 B1 5/2001 Personius
 6,285,140 B1 9/2001 Ruxton
 6,386,728 B1 5/2002 Colonna
 6,424,096 B1 7/2002 Lowe
 6,652,927 B1 * 11/2003 Chen A47G 33/06
 362/123
 6,777,891 B2 8/2004 Lys
 7,102,301 B2 9/2006 Oskorep
 8,240,883 B2 8/2012 Barbieri
 8,299,719 B1 10/2012 Moshirnorozi
 8,378,781 B1 2/2013 Peterson
 8,476,835 B1 7/2013 Parisi
 8,678,861 B2 3/2014 Ko
 8,841,844 B2 9/2014 Neuman
 8,941,312 B2 1/2015 McRae
 9,157,587 B2 10/2015 Chen
 D748,299 S * 1/2016 Tunno D26/25
 D794,089 S * 8/2017 Maibach D12/501

2007/0230174 A1* 10/2007 Hicks A47G 33/06
 362/249.16
 2013/0201658 A1 8/2013 Bogart
 2015/0070878 A1 3/2015 Yu
 2015/0102731 A1 4/2015 Altamura
 2015/0366039 A1 12/2015 Noori
 2016/0021724 A1 1/2016 Kinderman
 2016/0178172 A1* 6/2016 Boyink F21V 23/003
 362/123

OTHER PUBLICATIONS

Tree Dazzler Deluxe Christmas Tree Lights, as archived by the Internet Archive on Nov. 26, 2016, [online], [site visited Aug. 10, 2017]. Retrieved from url:<https://web.archive.org/web/20161126145831/https://www.hsn.com/products/tree-dazzler-deluxe-christmas-tree-lights/8205253>.*

Scotty 414 Offset Gear Disc, earliest comment on page Feb. 14, 2015, [online], [site visited Aug. 17, 2017]. Retrieved from url: <https://www.amazon.com/Scotty-414-Offset-Gear-Disc/dp/B009SUAC1A>.*

Printed Instructions for iTwinkle Light Set, available from Nicolas Holiday Inc., obtained from <http://itwinklelight.com/Products6.aspx> on Aug. 25, 2017.

GeekMyTree, available at www.geekmytree.com, accessed on Aug. 25, 2017.

* cited by examiner

FIG. 1

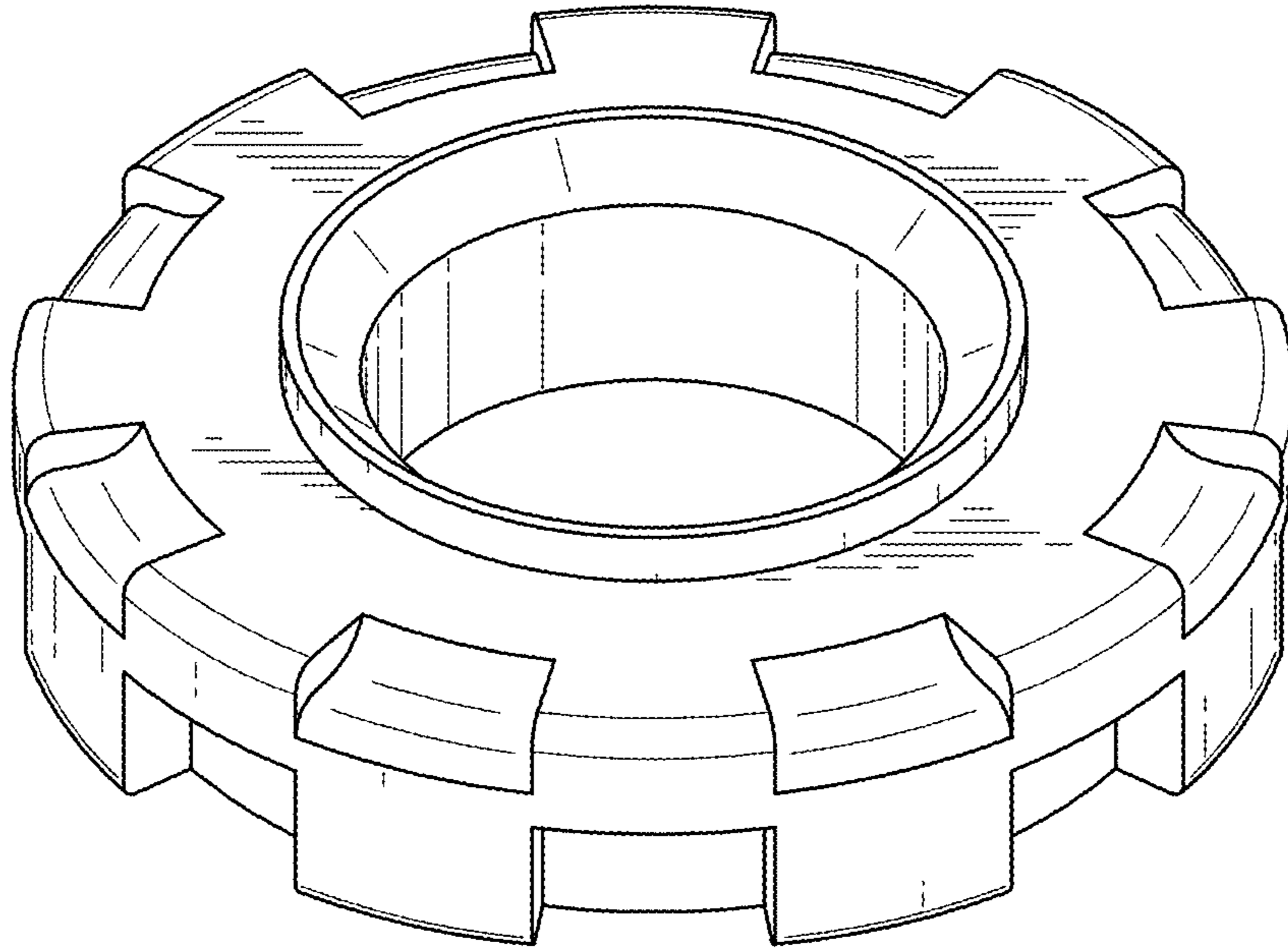


FIG. 2

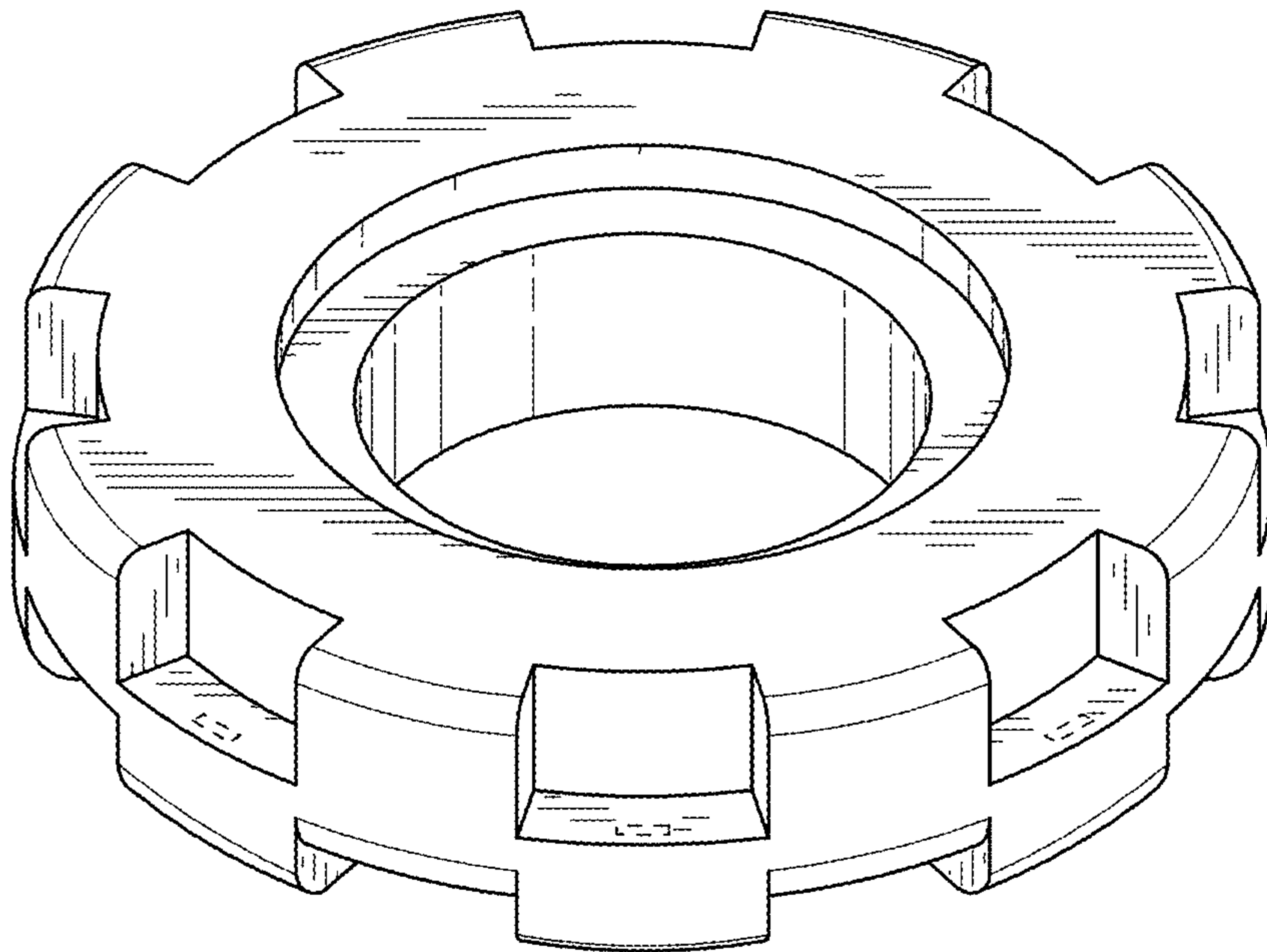


FIG. 3

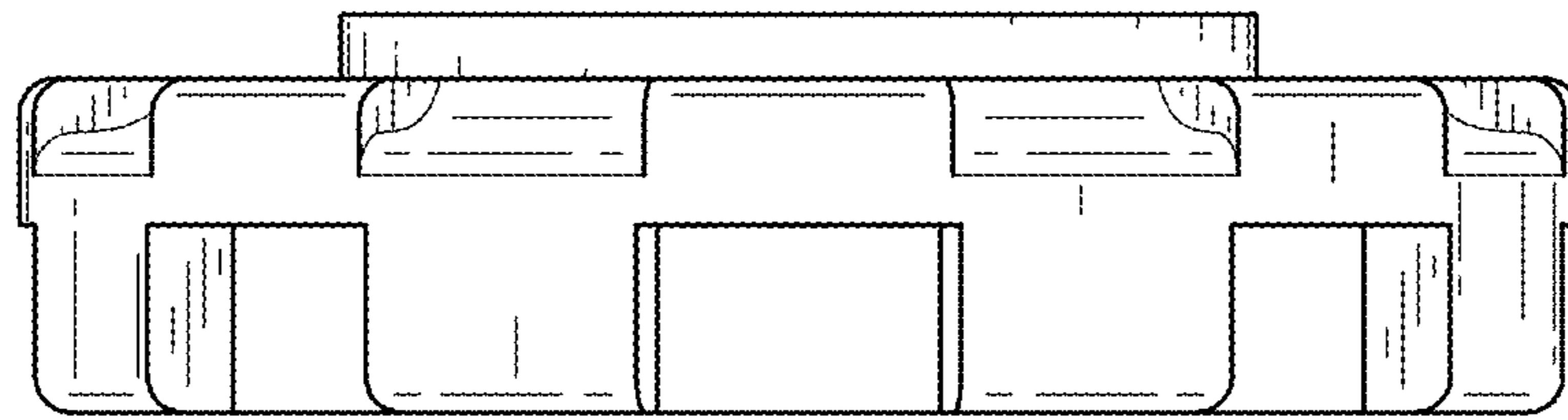


FIG. 4

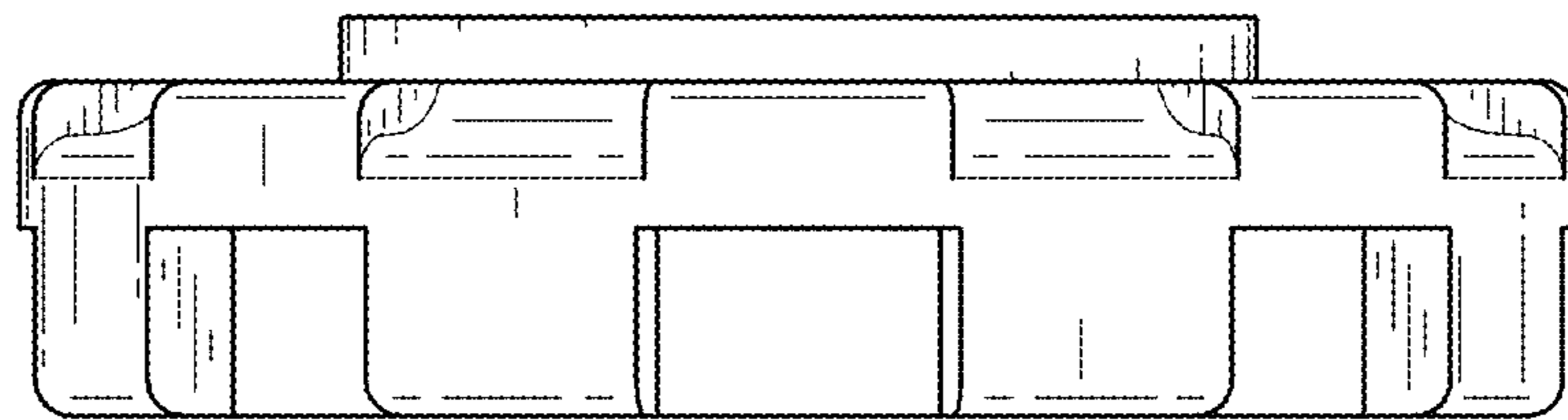


FIG. 5

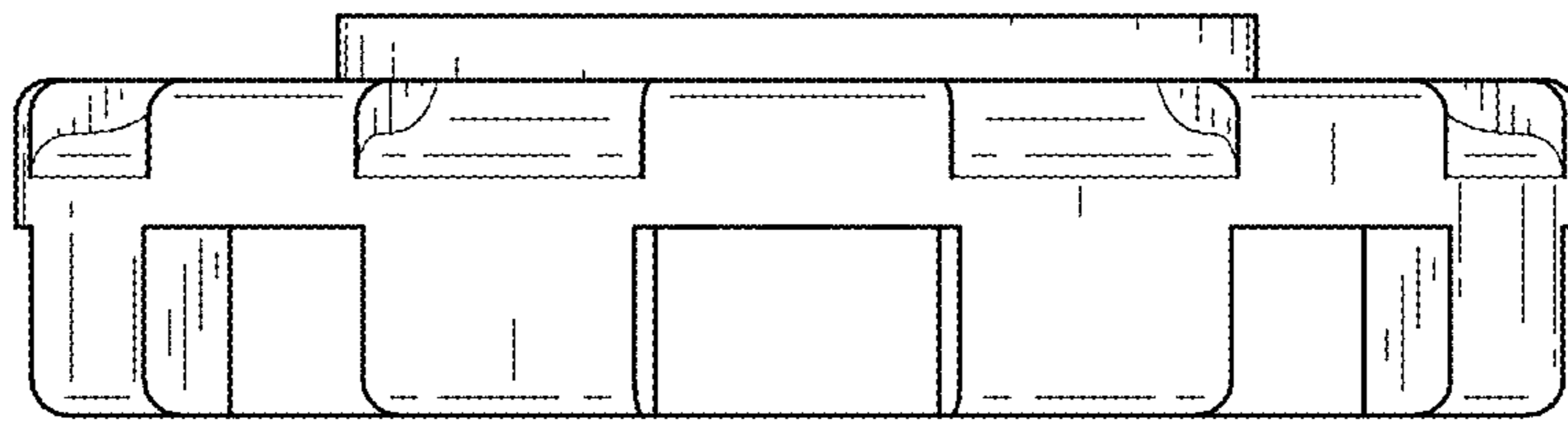


FIG. 6

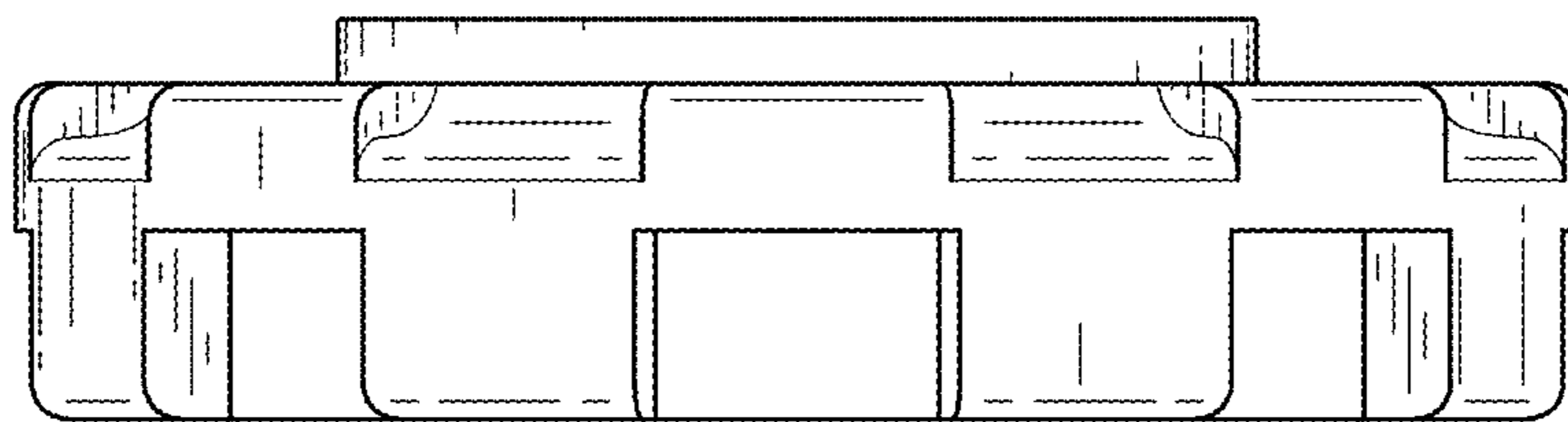


FIG. 7

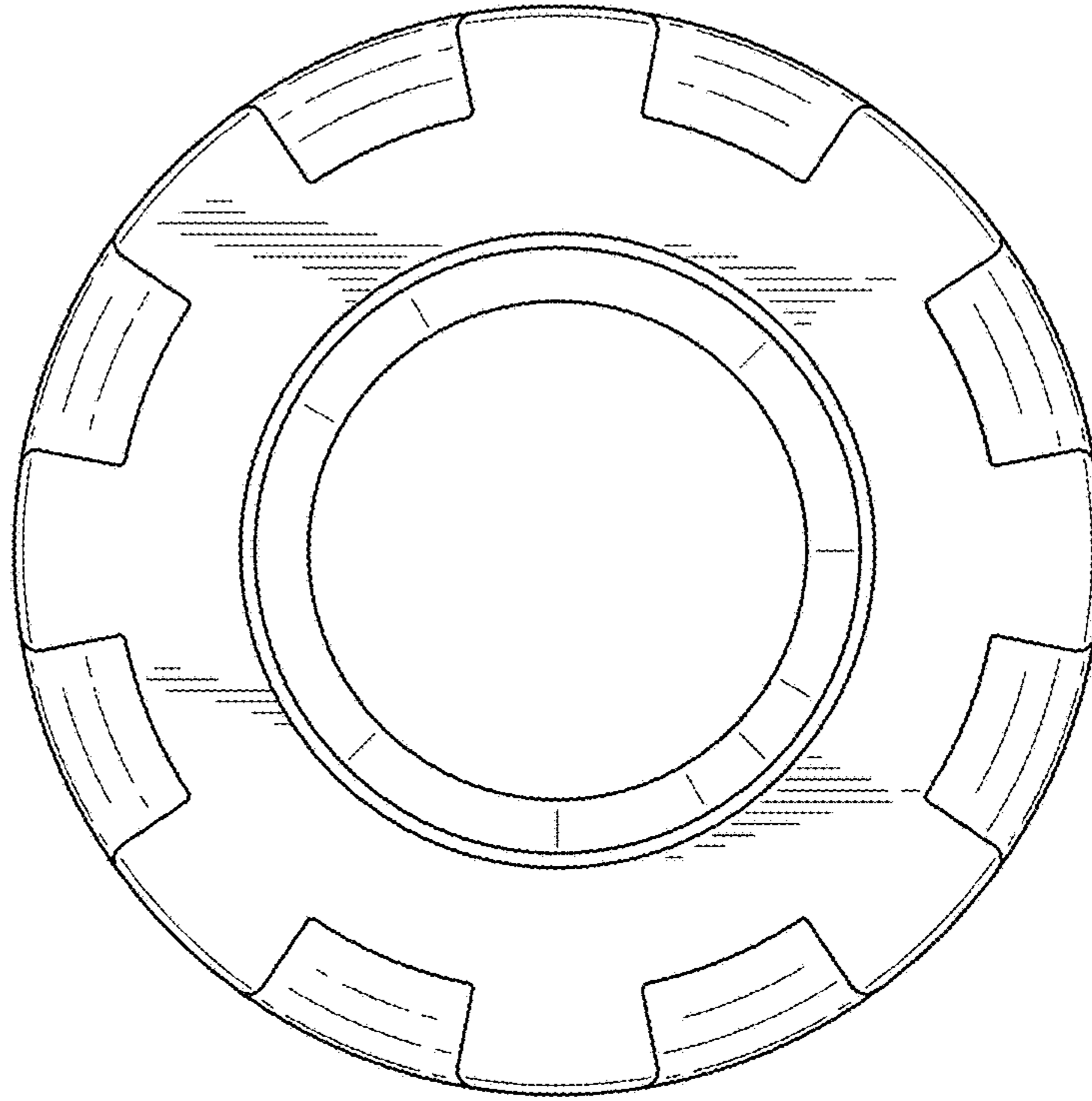


FIG. 8

