



US00D826076S

(12) **United States Design Patent** (10) **Patent No.:** **US D826,076 S**  
**Béhar** (45) **Date of Patent:** **\*\* Aug. 21, 2018**

(54) **WATCH FACE**  
(71) Applicant: **Movado LLC**, Wilmington, DE (US)  
(72) Inventor: **Yves Béhar**, San Francisco, CA (US)  
(73) Assignee: **Movado LLC**, Wilmington, DE (US)  
(\*\*) Term: **15 Years**

D352,006 S \* 11/1994 Giardiello ..... D10/30  
D555,520 S \* 11/2007 Strasser ..... D10/39  
D590,735 S \* 4/2009 Rogers ..... D10/126  
D607,758 S \* 1/2010 Hegi ..... D10/39  
D611,841 S \* 3/2010 Hatem ..... D10/32  
D651,928 S \* 1/2012 Favre ..... D10/126  
D720,638 S \* 1/2015 Rogers ..... D10/125  
D730,224 S \* 5/2015 Behar ..... D10/103

(Continued)

(21) Appl. No.: **29/579,392**  
(22) Filed: **Sep. 29, 2016**  
(51) **LOC (11) Cl.** ..... **10-07**  
(52) **U.S. Cl.**  
USPC ..... **D10/126**  
(58) **Field of Classification Search**  
USPC ..... D10/22, 30-39, 122-131; D11/80, 82  
CPC ..... G04F 7/08; G04F 7/0804; G04F 7/0842;  
G04F 7/0857; G04F 7/0871; G04B 19/06;  
G04B 19/10; G04B 19/103; G04B 19/12;  
G04B 19/16; G04B 19/18; G04B 19/223;  
G04B 19/22; G04B 19/24; G04B 19/26;  
G04B 19/28; G04B 19/283; G04B 37/00;  
G04B 37/0008; G04B 37/0058; G04B  
47/04; G04B 45/00; G04B 45/0069;  
G04B 45/0076

See application file for complete search history.

(56) **References Cited**

**U.S. PATENT DOCUMENTS**

D36,778 S \* 2/1904 Reaves ..... D10/129  
D186,532 S \* 11/1959 Danz ..... D10/17  
3,293,846 A \* 12/1966 Pauli ..... G04B 37/0083  
368/10  
3,403,505 A \* 10/1968 Gisiger-Lusa ..... A44C 5/14  
368/282  
D217,003 S \* 3/1970 Winderbank et al. .... D10/1  
D263,811 S \* 4/1982 Hochstrate ..... D10/123  
D278,986 S \* 5/1985 Houlihan ..... D10/125  
4,884,256 A \* 11/1989 Blackburn ..... G04B 19/10  
368/223

**OTHER PUBLICATIONS**

Movado Museum Dial Watch | posted at ablogtowatch.com Feb. 18, 2015 © 2007-2017 aBlogtoWatch[online][site visited Jun. 19, 2017]. Available from Internet: <<http://www.ablogtowatch.com/movado-museum-dial-classic-watch-history-horwitt/>>.\*

(Continued)

*Primary Examiner* — Sandra S Snapp  
*Assistant Examiner* — Katherine Glennon  
(74) *Attorney, Agent, or Firm* — Charles T.J. Weigell, Esq.

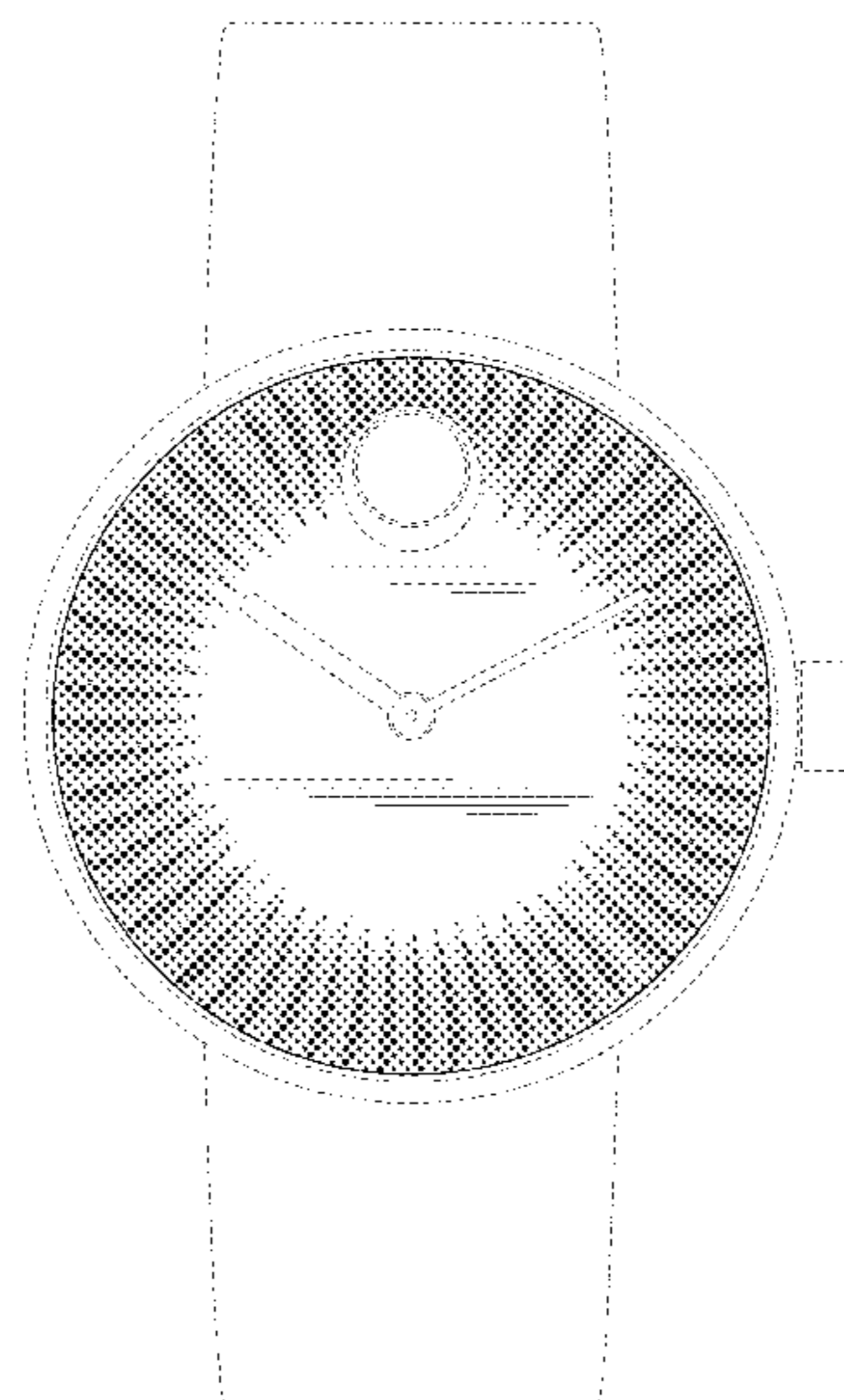
(57) **CLAIM**

The ornamental design for a watch face, as shown and described.

**DESCRIPTION**

FIG. 1 is a front view of a watch face showing my new design;  
FIG. 2 is a perspective view thereof;  
FIG. 3 is a front view showing an alternate embodiment of the watch face in FIG. 1  
FIG. 4 is a perspective view showing an alternate embodiment of the watch face in FIG. 1; and,  
FIG. 5 is a close-up view of a portion of the watch face shown in FIG. 1.  
The broken lines depicting the watch band, hands, crown, clasp, hands, second hand, portions of the watch, and portion of the dial, show unclaimed subject matter for the design.

**1 Claim, 5 Drawing Sheets**



(56)

**References Cited**

U.S. PATENT DOCUMENTS

D735,589 S \* 8/2015 Grinberg ..... D10/38  
D744,365 S \* 12/2015 Rogers ..... D10/125  
D779,976 S \* 2/2017 Galli ..... D10/38

OTHER PUBLICATIONS

Hacker Watch | Michael Young | posted at freshermag.com Apr. 21,  
2014 Copyright © FreshersMag [online][site visited Jun. 19, 2017].  
Available from Internet: <[https://freshersmag.com/my03-hacker-  
watch-by-michael-young/](https://freshersmag.com/my03-hacker-watch-by-michael-young/)>.\*

\* cited by examiner

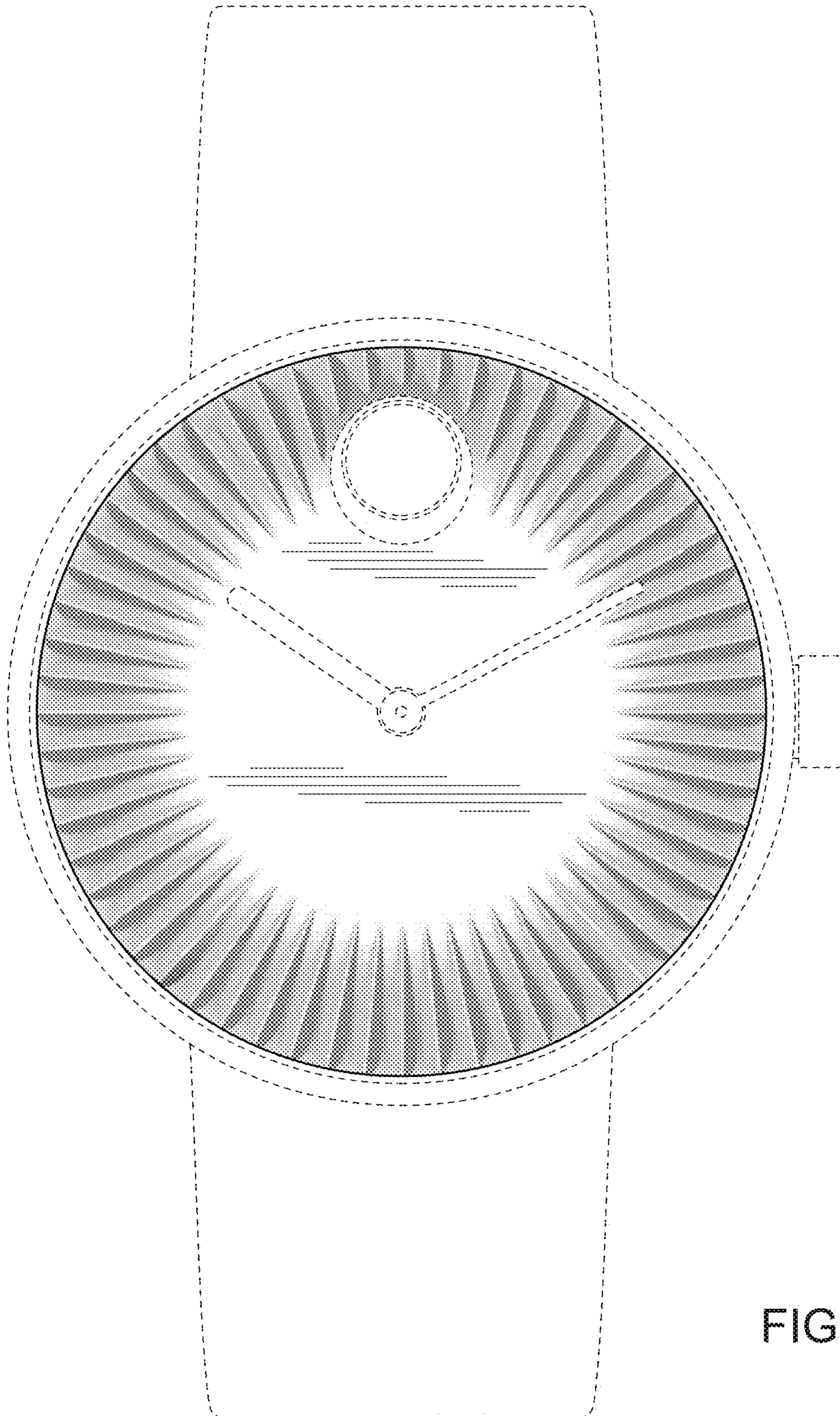


FIG. 1

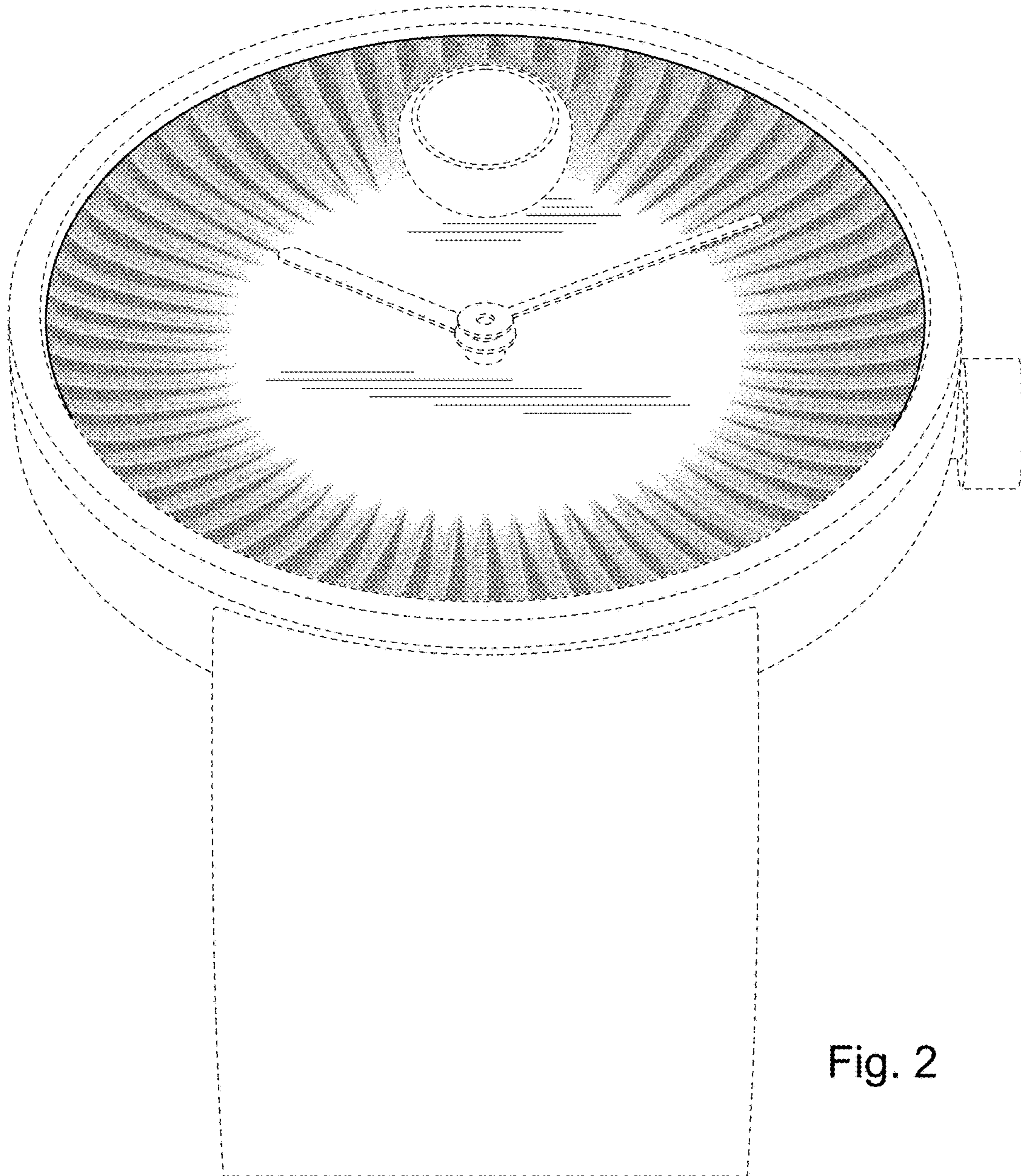


Fig. 2

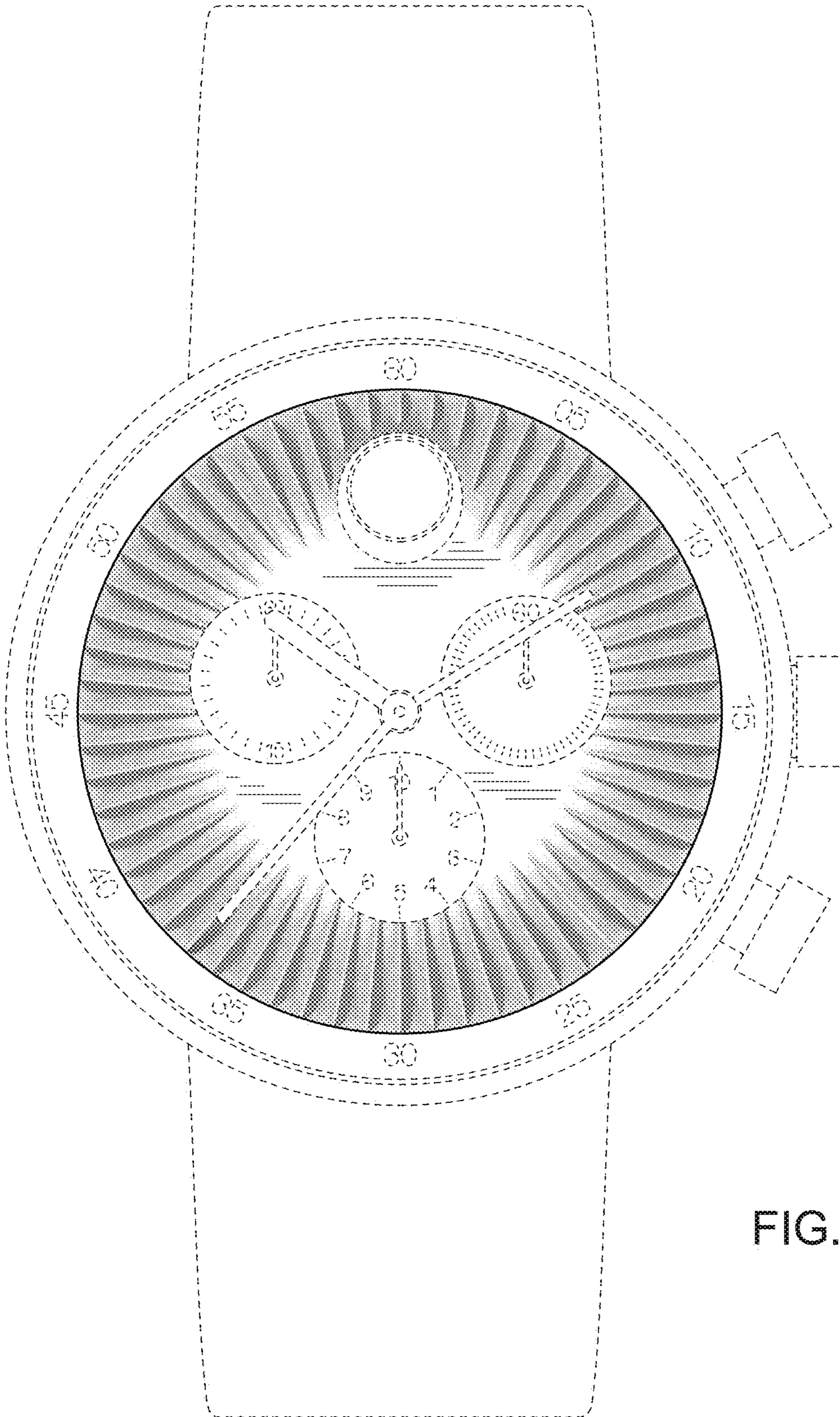


FIG. 3

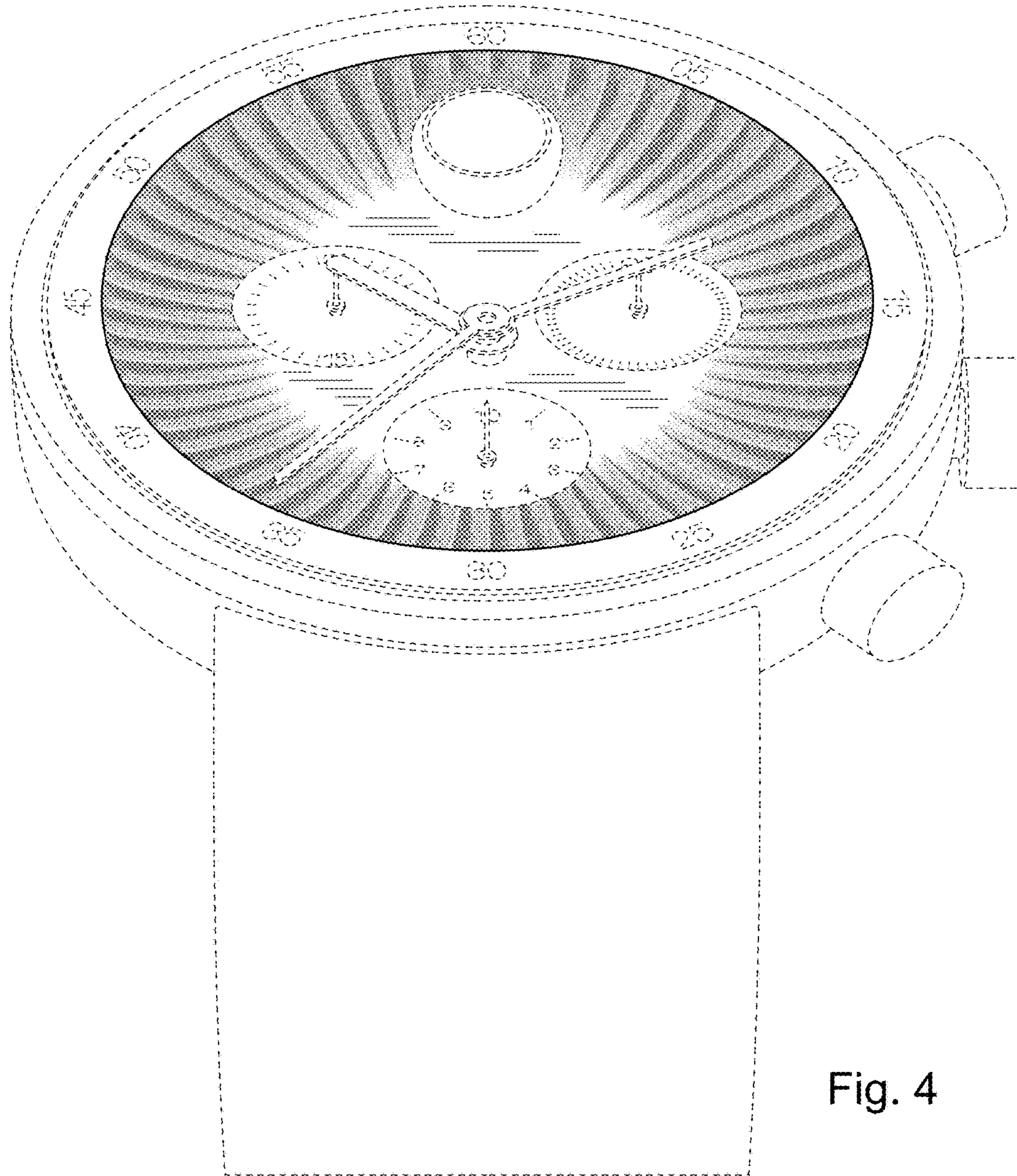


Fig. 4

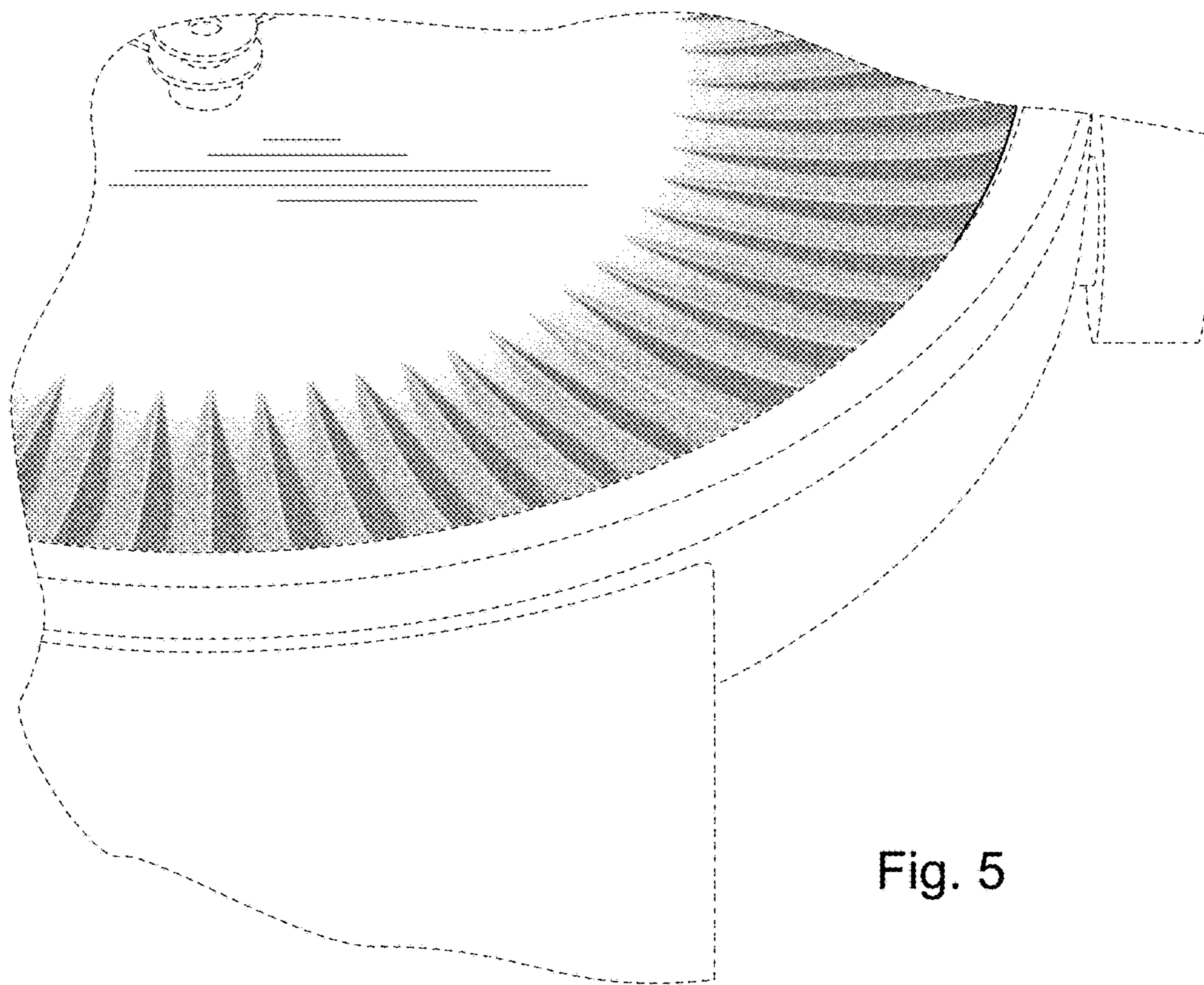


Fig. 5