



US00D826075S

(12) **United States Design Patent**
Auclair

(10) **Patent No.:** **US D826,075 S**

(45) **Date of Patent:** **** Aug. 21, 2018**

- (54) **BUOY**
- (71) Applicant: **Hydrotika**, East Farnham (CA)
- (72) Inventor: **Marc Auclair**, East-Farnham (CA)
- (73) Assignee: **HYDROTIKA**, East Farnham (CA)
- (**) Term: **15 Years**
- (21) Appl. No.: **29/581,187**
- (22) Filed: **Oct. 17, 2016**
- (51) **LOC (11) Cl.** **10-05**
- (52) **U.S. Cl.**
USPC **D10/107**
- (58) **Field of Classification Search**
USPC D10/107
CPC B63B 22/02; B63B 22/023; B63B 21/20;
E02B 15/06; A01K 91/03
See application file for complete search history.

- 7,614,179 B2 * 11/2009 Kavanaugh A01K 91/03
24/130
- 7,614,927 B2 * 11/2009 Olsen B63B 22/023
441/5
- 7,828,494 B1 * 11/2010 Reynolds E02B 15/06
405/63
- 9,242,702 B1 * 1/2016 Rich B63B 22/02
- 9,834,283 B2 * 12/2017 Adams B63B 22/02

* cited by examiner

Primary Examiner — George D. Kirschbaum

(74) *Attorney, Agent, or Firm* — IP Delta Plus Inc.

(57) **CLAIM**

I claim, the ornamental design for a buoy, as shown and described.

DESCRIPTION

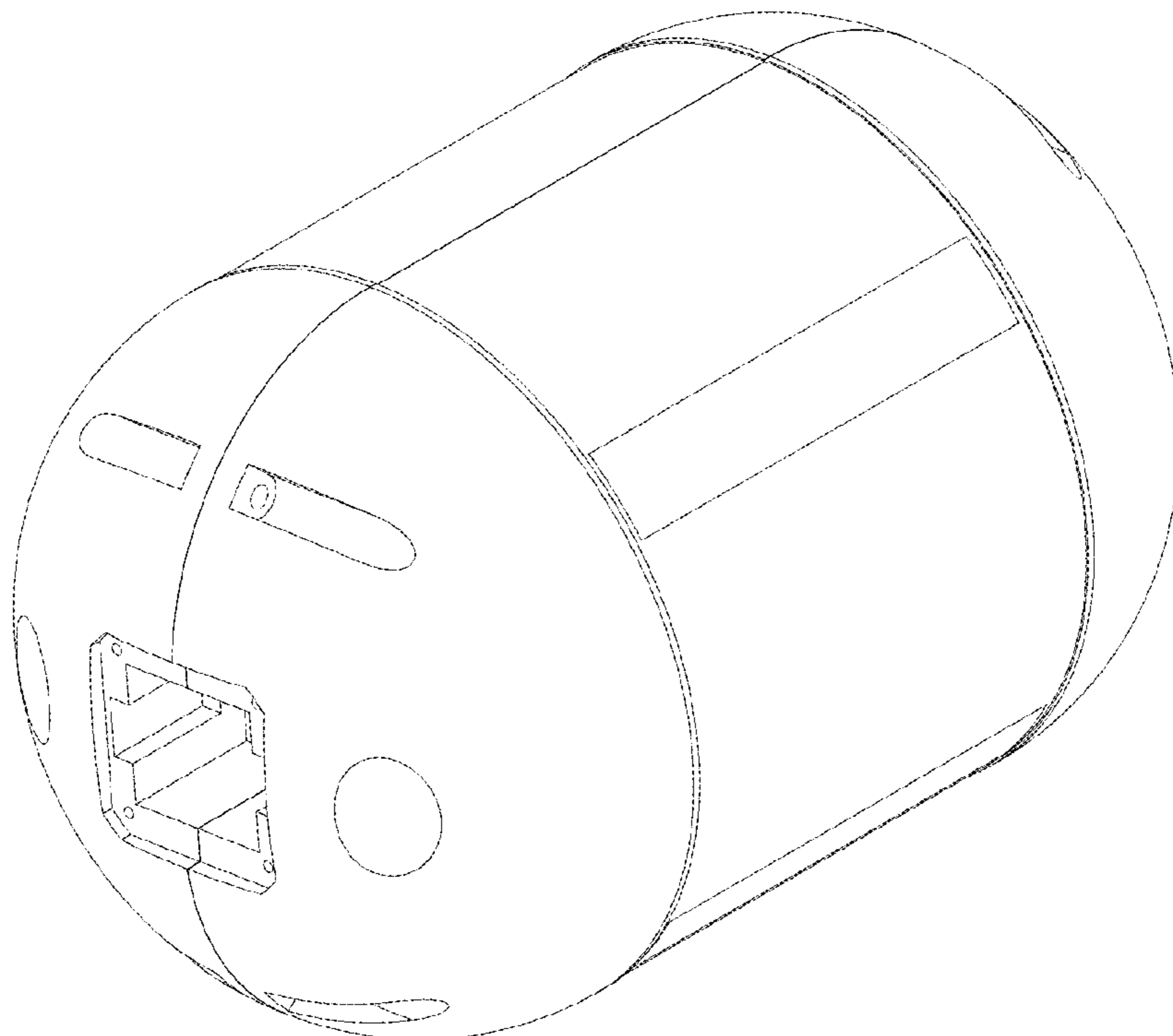
FIG. 1 is a perspective view of a first variant of the buoy;
 FIG. 2 is a side view of the first variant of the buoy;
 FIG. 3 is a front and back view of the first variant of the buoy;
 FIG. 4 is a top and bottom view of the first variant of the buoy;
 FIG. 5 is a perspective view of a second variant of the buoy;
 FIG. 6 is a side view of the second variant of the buoy;
 FIG. 7 is a top and bottom view of the second variant of the buoy; and,
 FIG. 8 is a front and back view of the second variant of the buoy.

(56) **References Cited**

U.S. PATENT DOCUMENTS

- D186,828 S * 12/1959 Cornett D10/107
- D246,095 S * 10/1977 Eby D10/107
- 5,330,378 A * 7/1994 Park B63B 21/20
114/267
- D366,005 S * 1/1996 Beyer-Olsen 441/6
- 7,201,624 B2 * 4/2007 Dyhrberg B63B 22/02
114/230.1

1 Claim, 8 Drawing Sheets



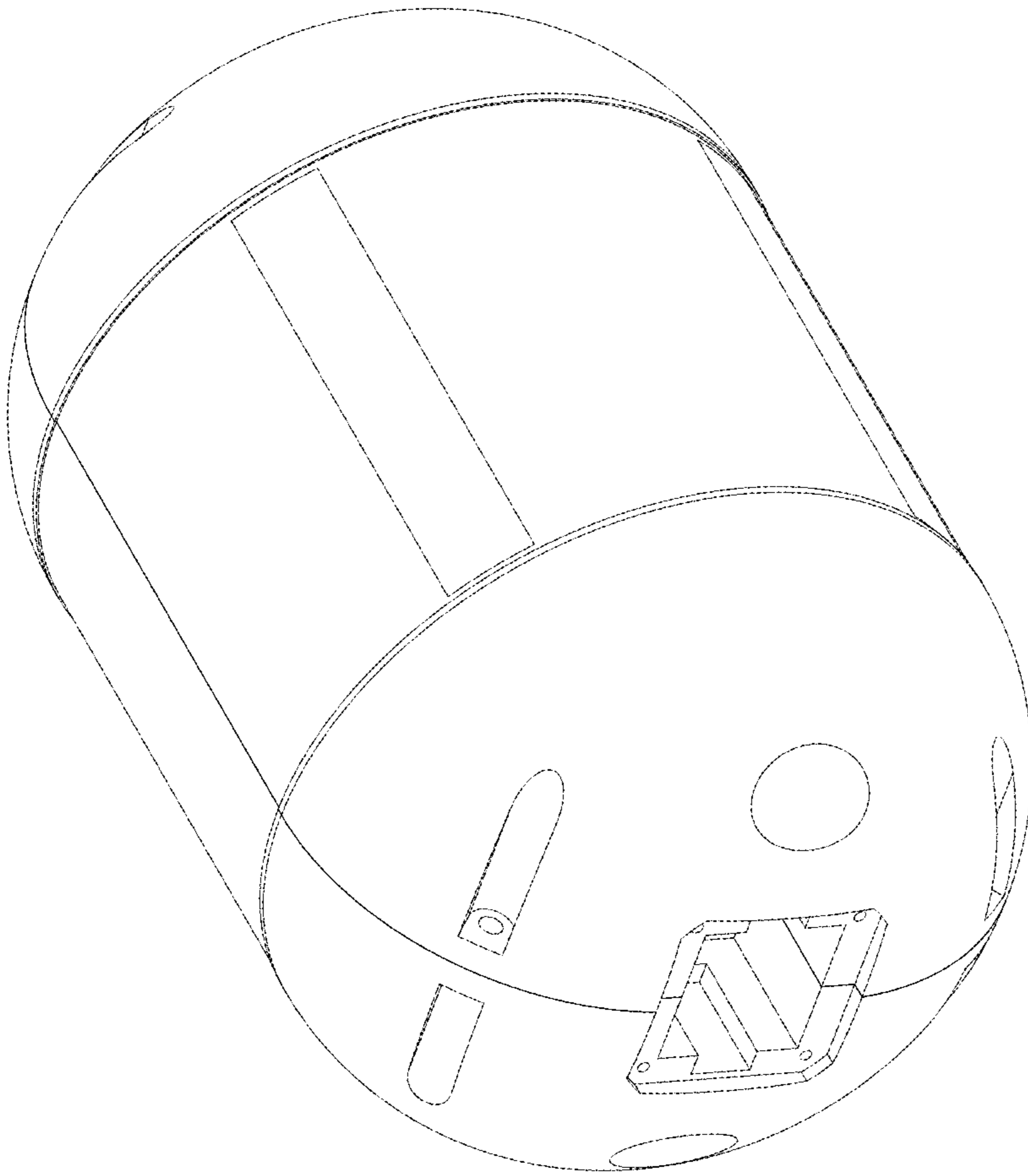


FIGURE 1

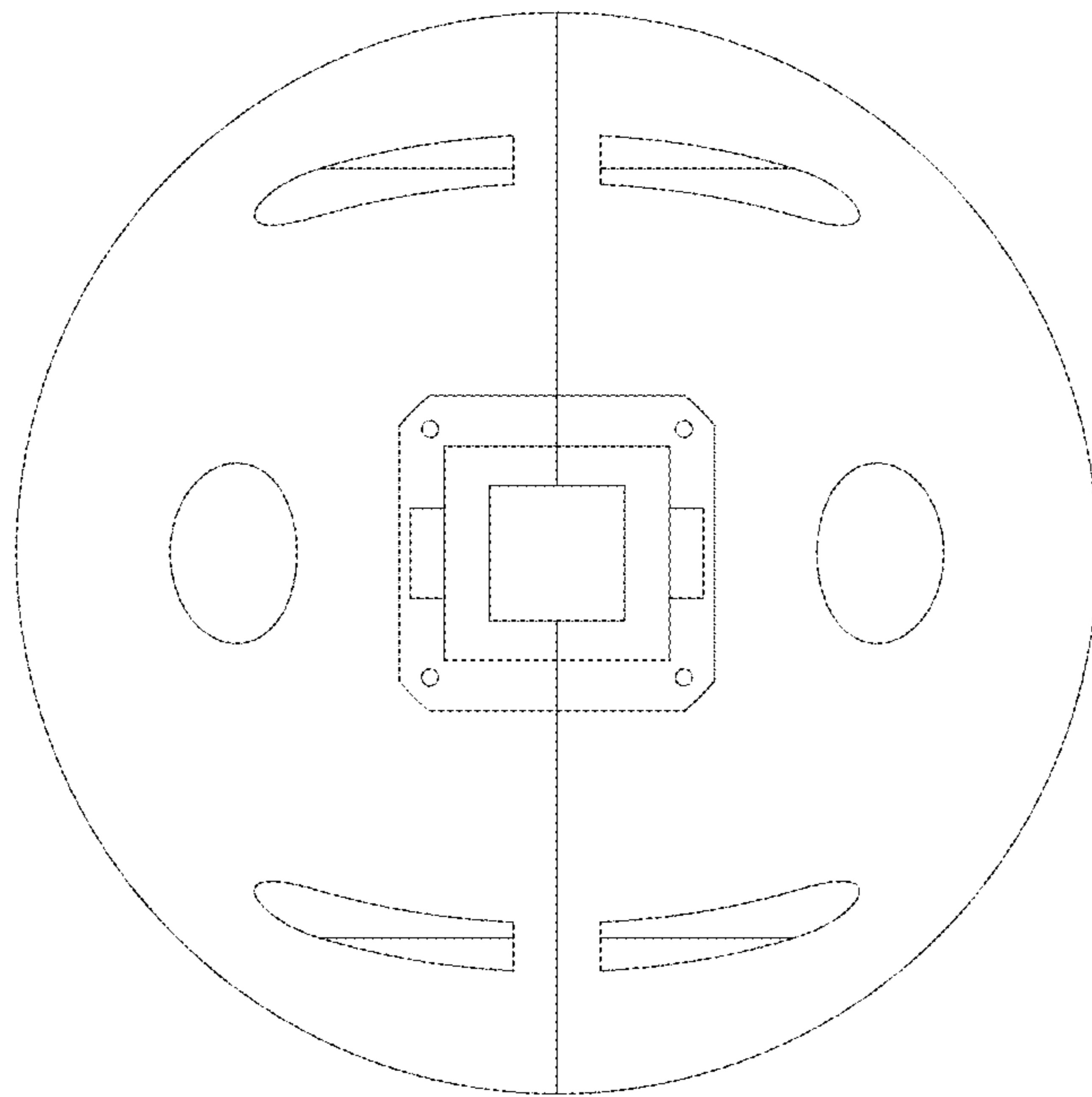


FIGURE 2

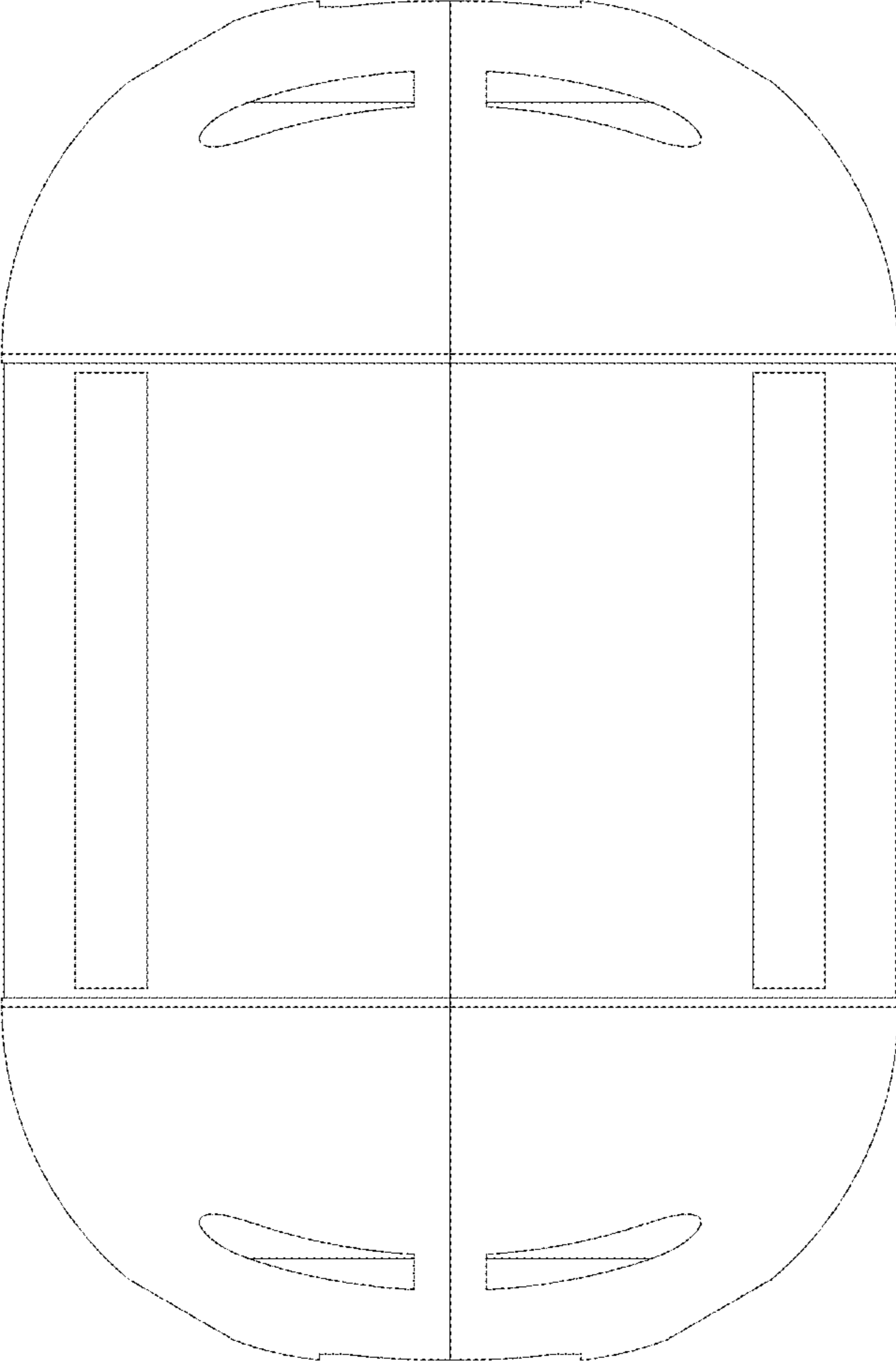


FIGURE 3

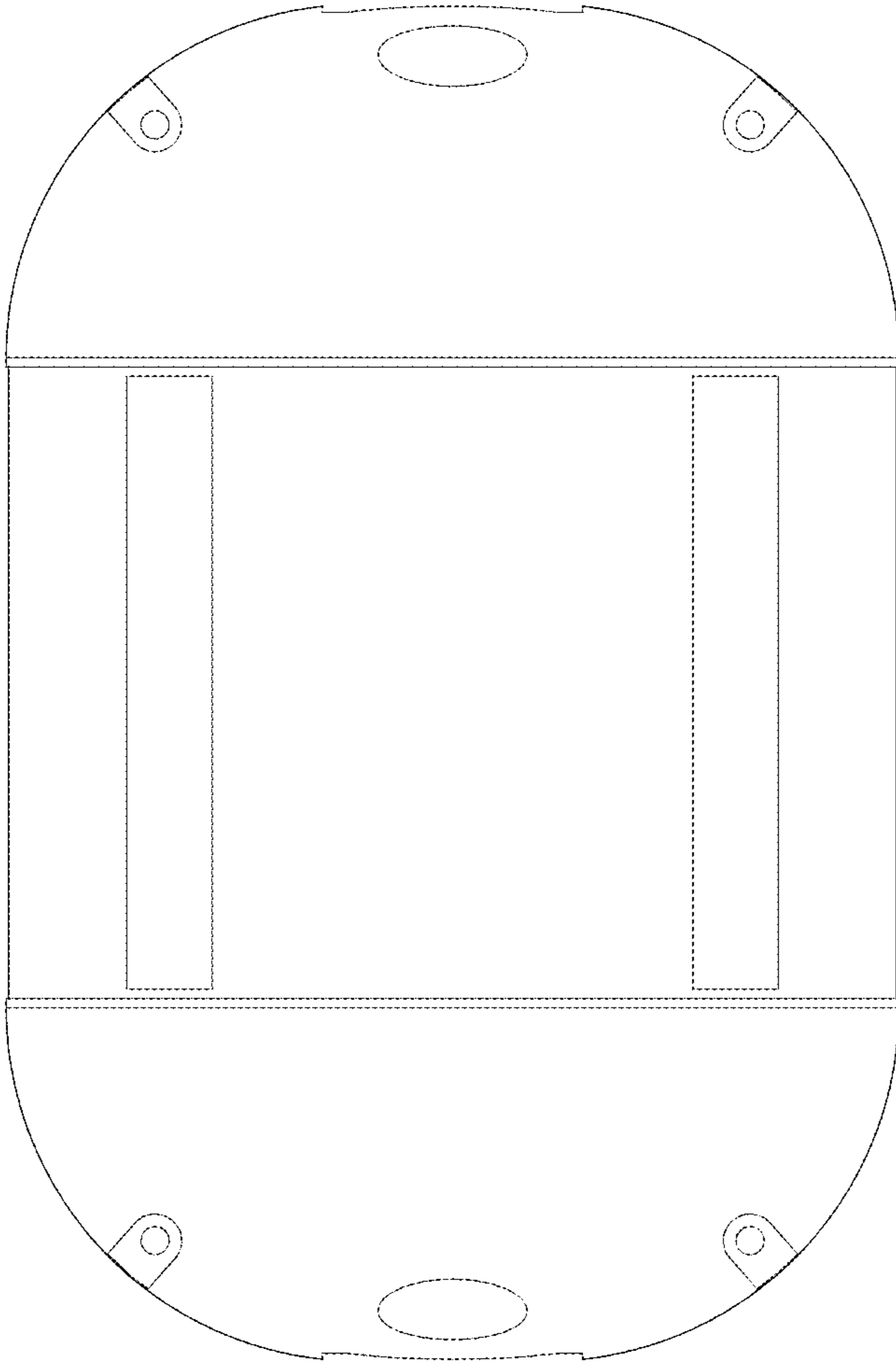


FIGURE 4

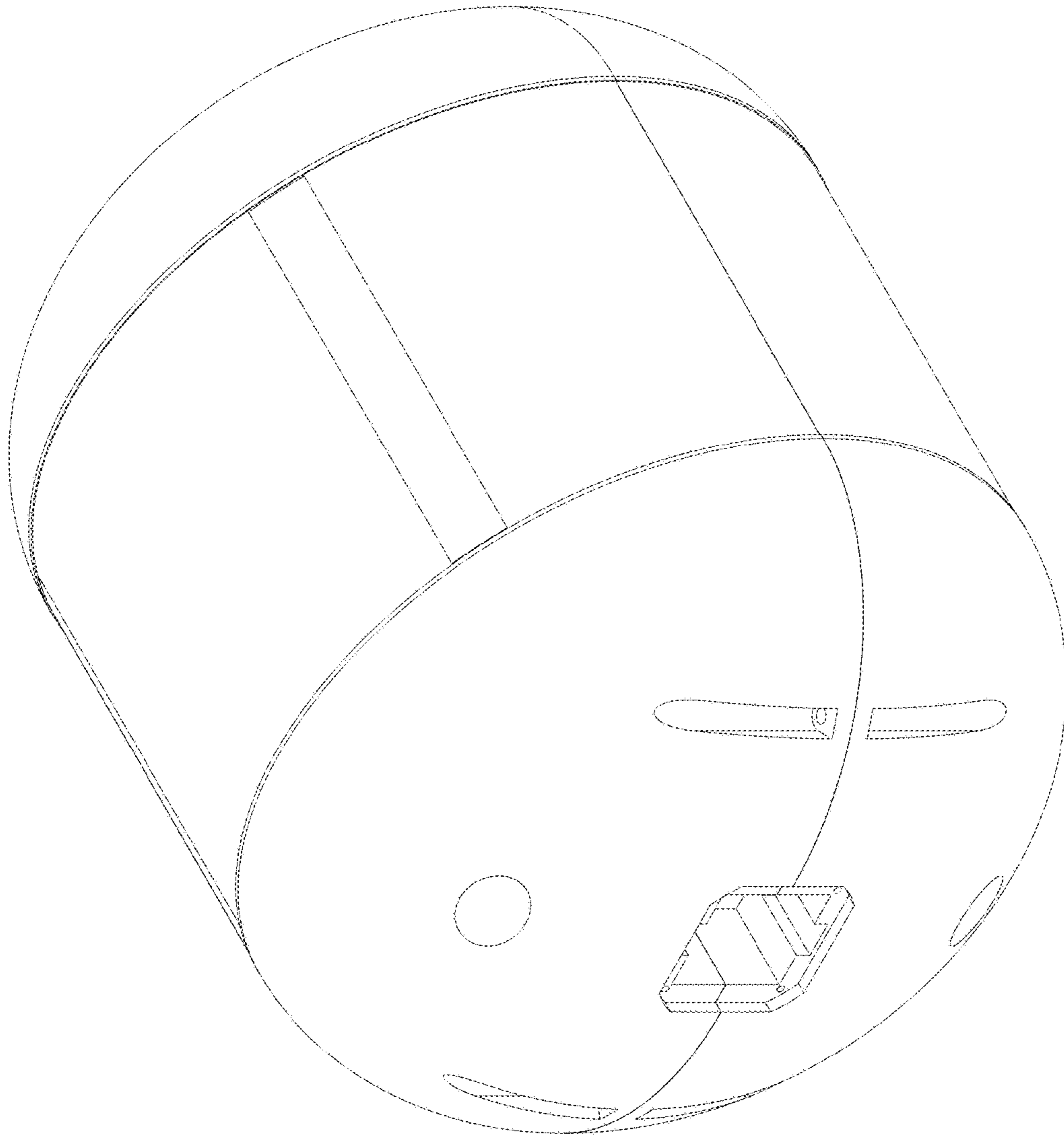


FIGURE 5

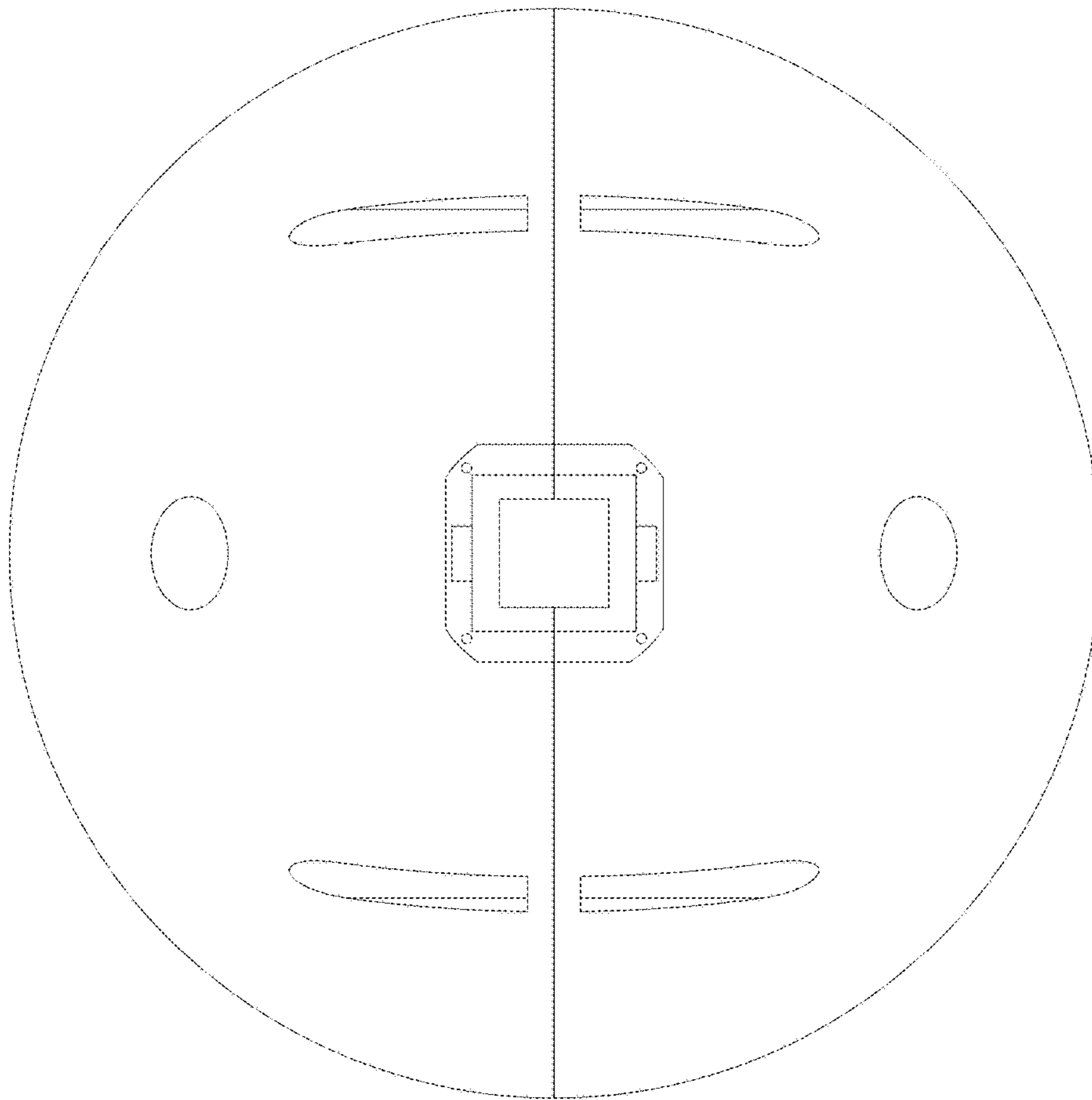


FIGURE 6

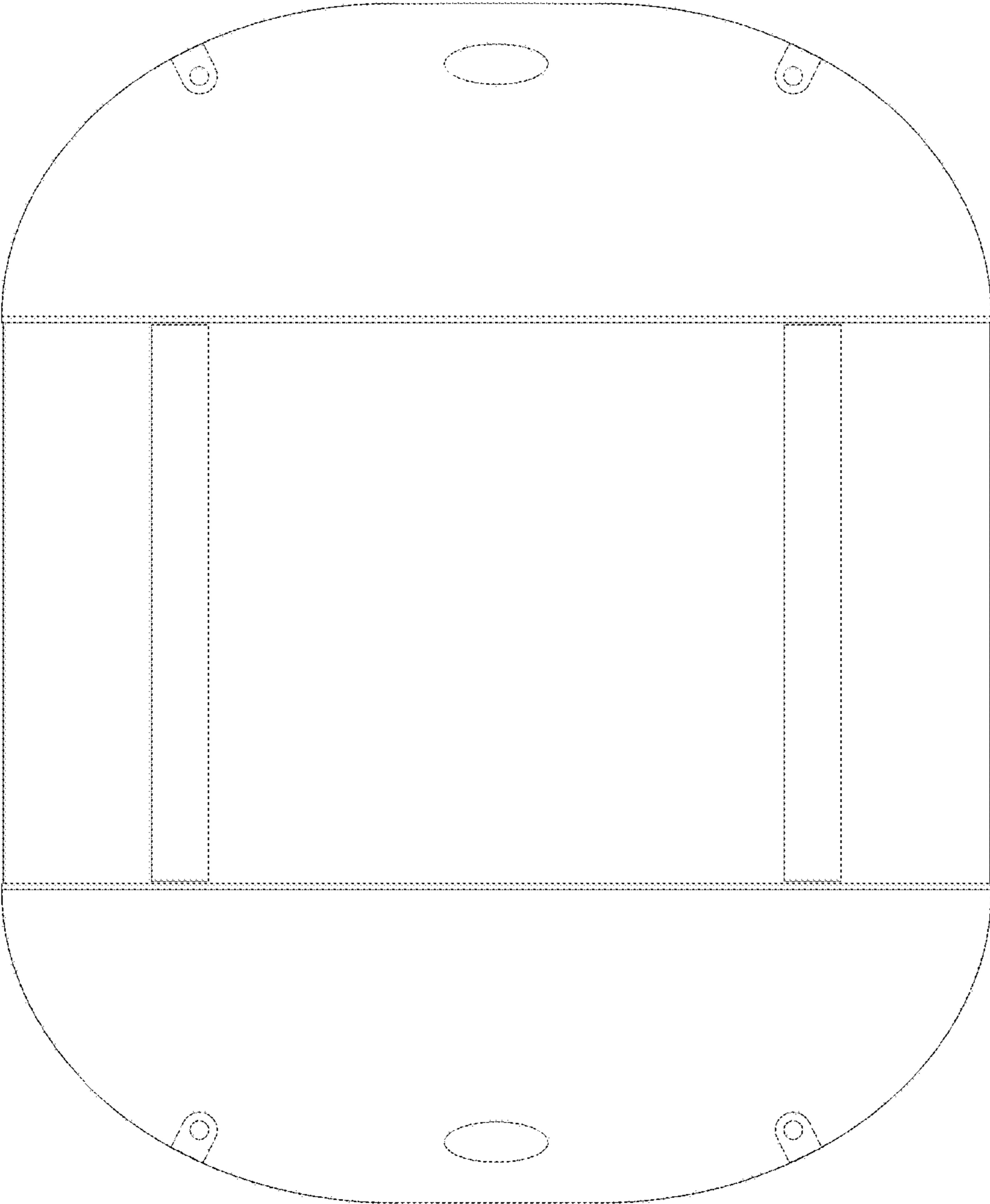


FIGURE 7

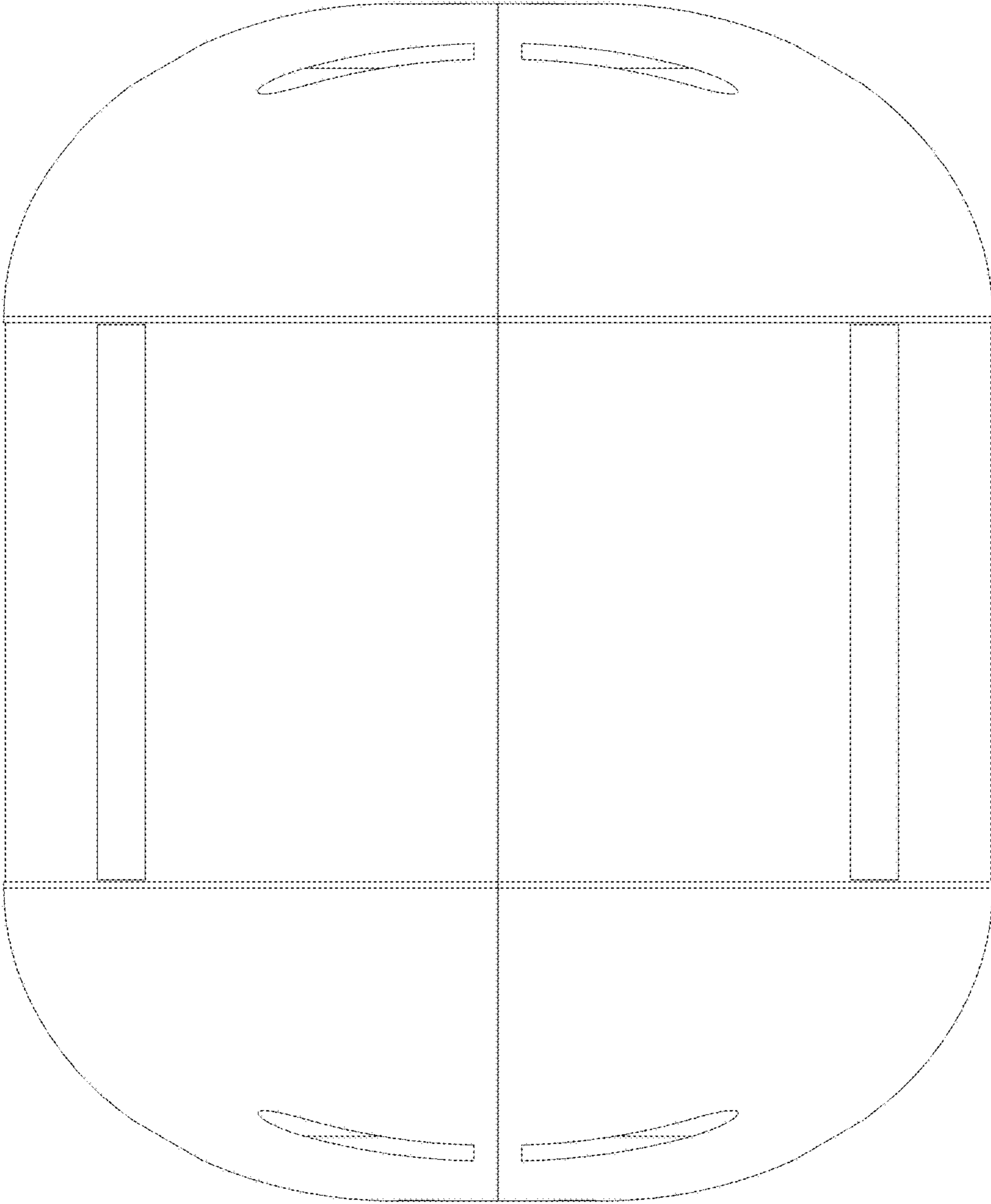


FIGURE 8