



US00D826074S

(12) **United States Design Patent** (10) **Patent No.:** **US D826,074 S**  
**Mariller et al.** (45) **Date of Patent:** **\*\* \*Aug. 21, 2018**

- (54) **HEIGHT GAUGE** 3,279,079 A \* 10/1966 Schiler ..... G01B 5/004  
 33/1 M  
 (71) Applicant: **TESA SA**, Renens (CH) D212,259 S \* 9/1968 Milan ..... D10/64  
 3,994,071 A \* 11/1976 Schoffel ..... G01B 3/006  
 33/832  
 (72) Inventors: **Serge Mariller**, Cheseaux-sur-Lausanne  
 (CH); **Hervé Destraz**,  
 Neyruz-sur-Moudon (CH) D259,707 S \* 6/1981 Nishina ..... D10/73  
 D268,738 S \* 4/1983 Yoshioka ..... D10/70  
 6,401,352 B1 \* 6/2002 Kimura ..... G01B 5/061  
 33/703  
 (\*) Notice: This patent is subject to a terminal dis-  
 claimer. 6,446,351 B1 \* 9/2002 Zhang ..... G01B 5/061  
 33/556  
 (\*\*) Term: **15 Years** D727,760 S \* 4/2015 Matsumiya ..... D10/70  
 D764,324 S \* 8/2016 Zhang ..... D10/70  
 2010/0287786 A1 \* 11/2010 Biselx ..... G01B 5/008  
 33/832

(21) Appl. No.: **35/501,252**

(22) Filed: **Jan. 13, 2016**

(80) **Hague Agreement Data**

Int. Filing Date: **Jan. 13, 2016**  
 Int. Reg. No.: **DM/091519**  
 Int. Reg. Date: **Jan. 13, 2016**  
 Int. Reg. Pub. Date: **Jul. 22, 2016**

(51) **LOC (11) Cl.** ..... **10-04**

(52) **U.S. Cl.**  
 USPC ..... **D10/70**

(58) **Field of Classification Search**  
 USPC ..... D10/64, 73, 70  
 CPC ..... G01B 5/061; G01B 5/004; G01B 5/006;  
 G01B 5/008  
 See application file for complete search history.

(56) **References Cited**

**U.S. PATENT DOCUMENTS**

- 2,611,968 A \* 9/1952 Brown, Jr. .... G01B 5/061  
 33/838  
 2,958,950 A \* 11/1960 Connors ..... G01B 5/061  
 33/823

\* cited by examiner

*Primary Examiner* — George D Kirschbaum

(57) **CLAIM**

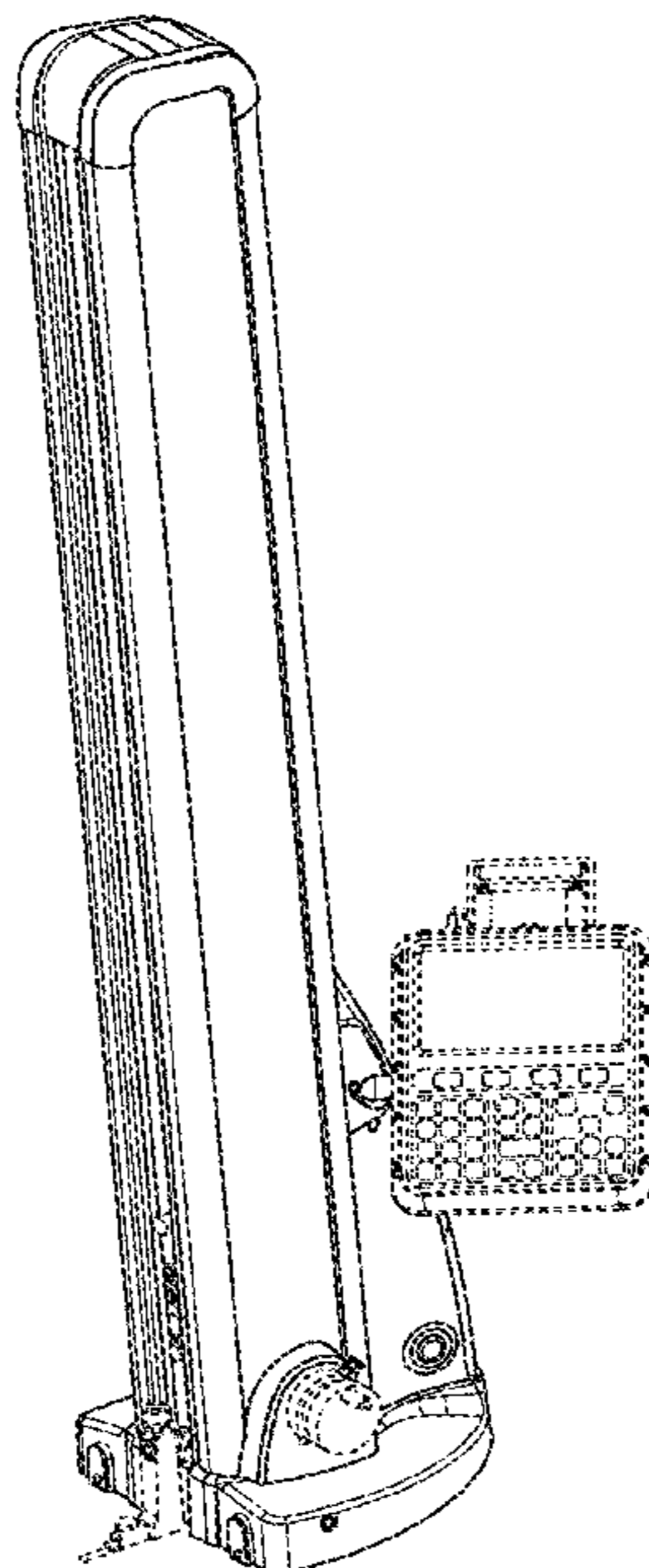
The ornamental design for a height gauge, as shown and described.

**DESCRIPTION**

1. Height gauge
- 1.1 : Perspective
- 1.2 : Perspective
- 1.3 : Perspective
- 1.4 : Front
- 1.5 : Back
- 1.6 : Right
- 1.7 : Left
- 1.8 : Top
- 1.9 : Bottom

The broken lines showing of control box, command wheel, and feeler is included for the purpose of illustrating portions of the “article” and forms no part of the claimed design.

**1 Claim, 9 Drawing Sheets**



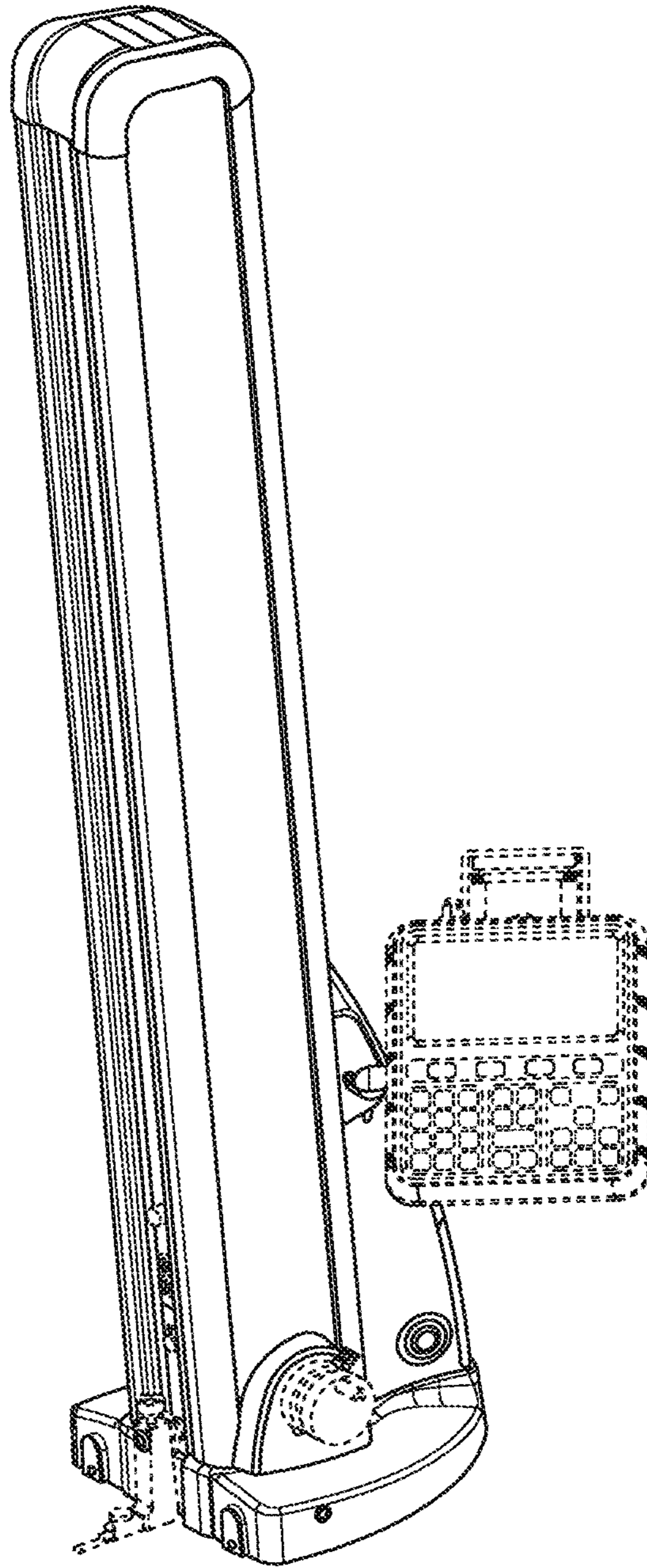


FIG. 1.1

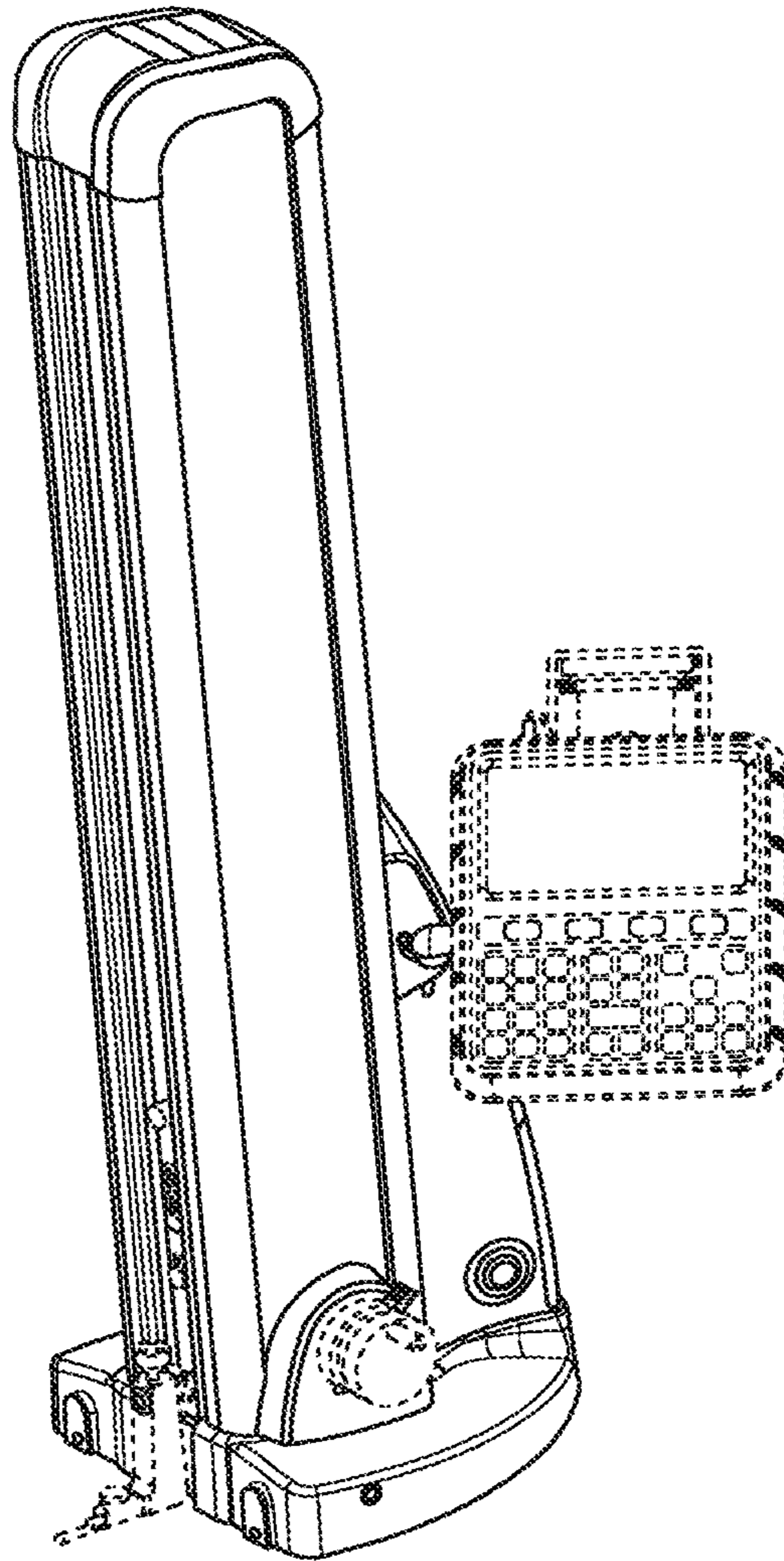


FIG. 1.2

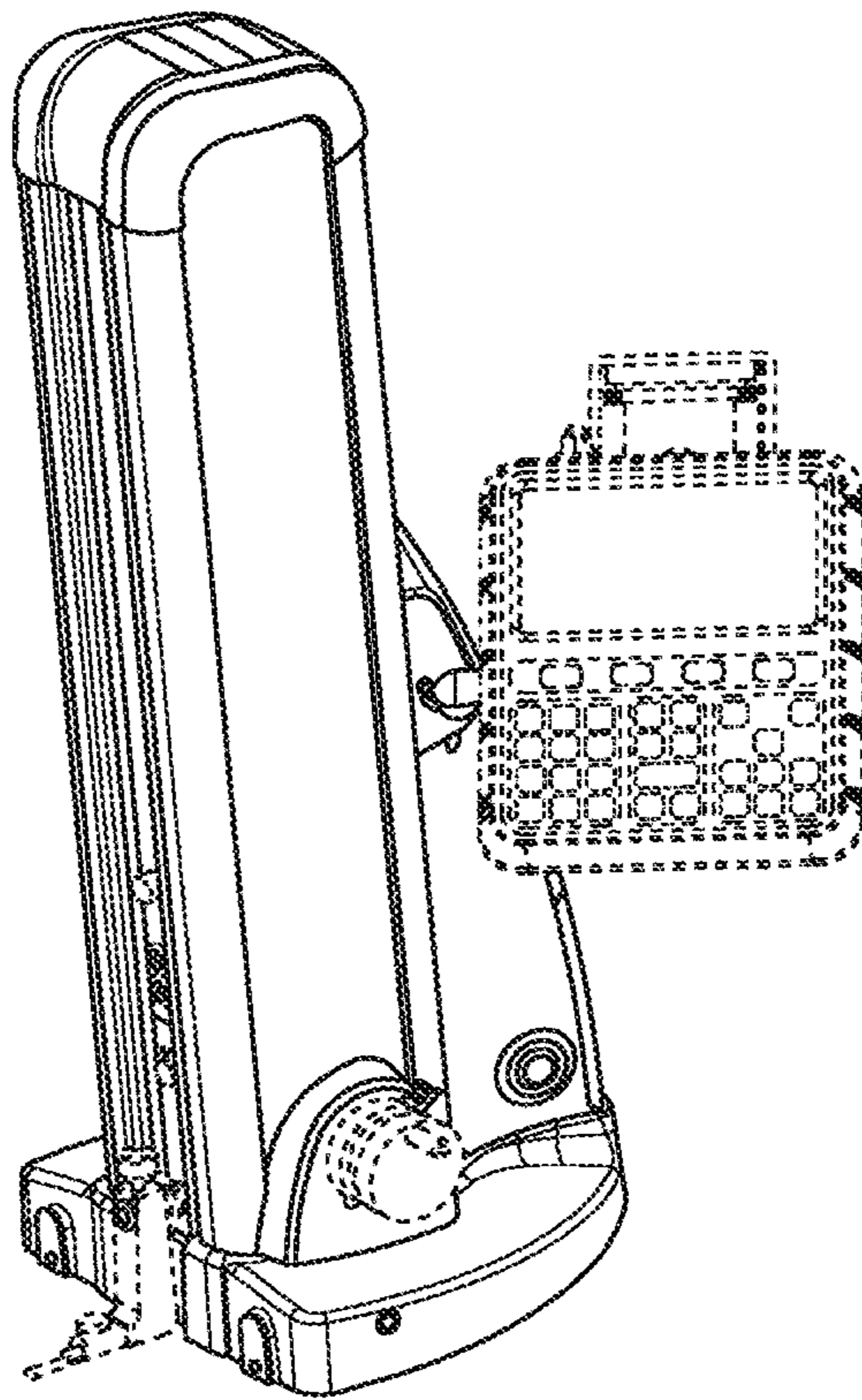


FIG. 1.3

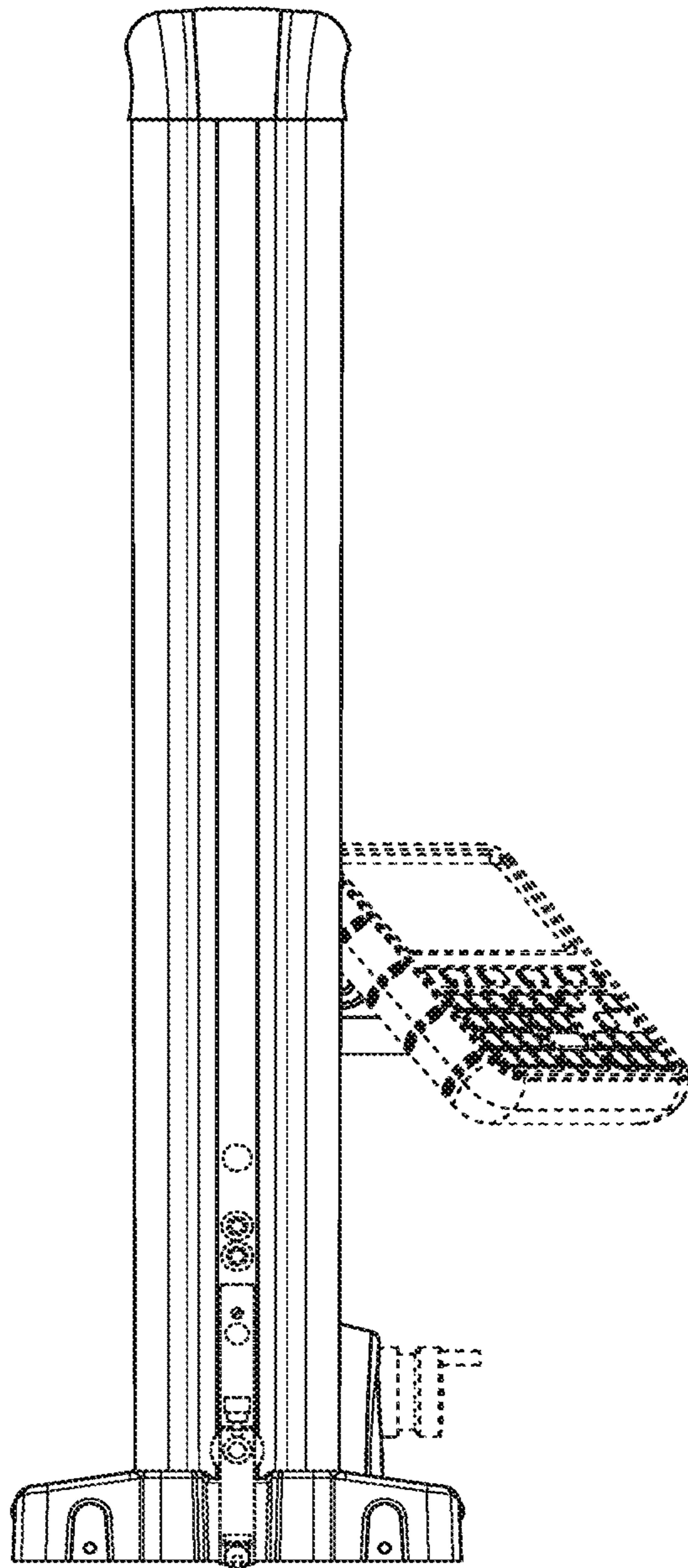


FIG. 1.4

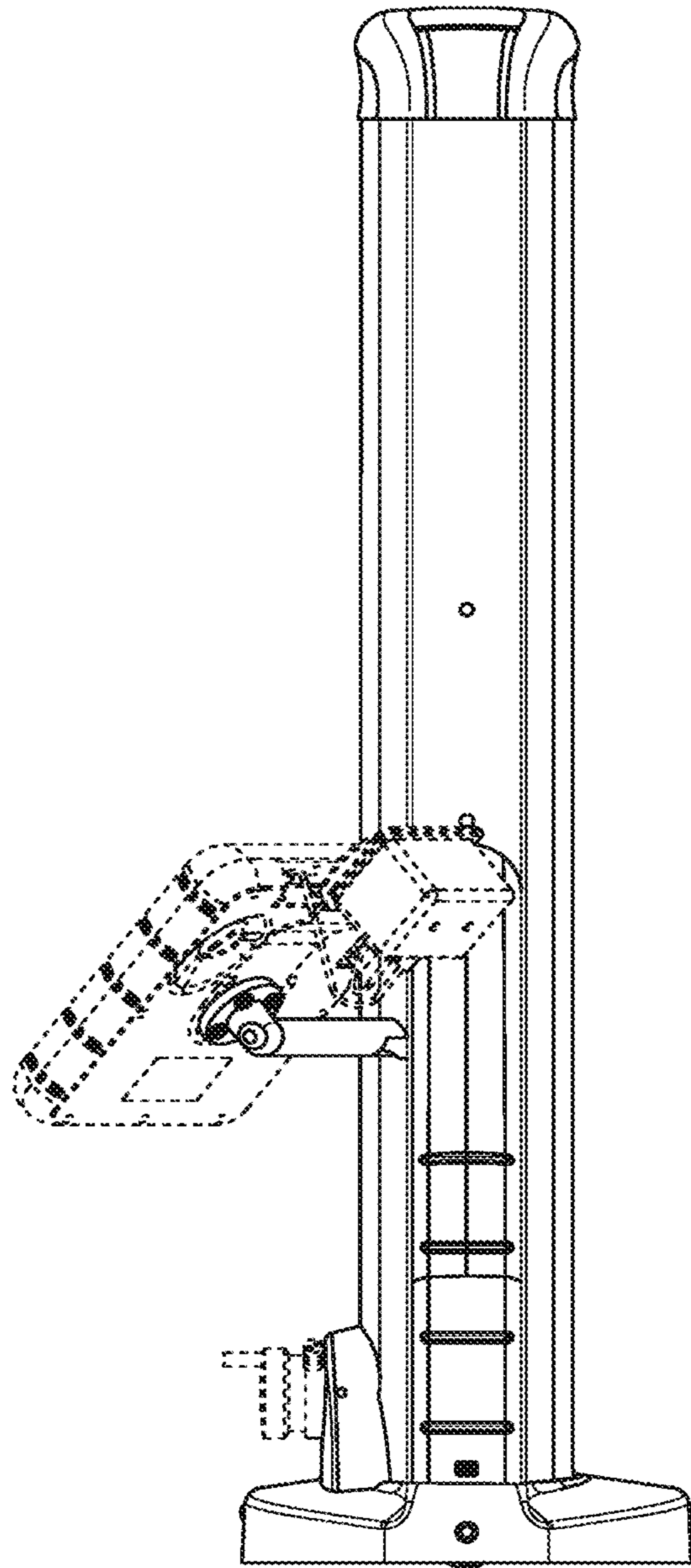


FIG. 1.5

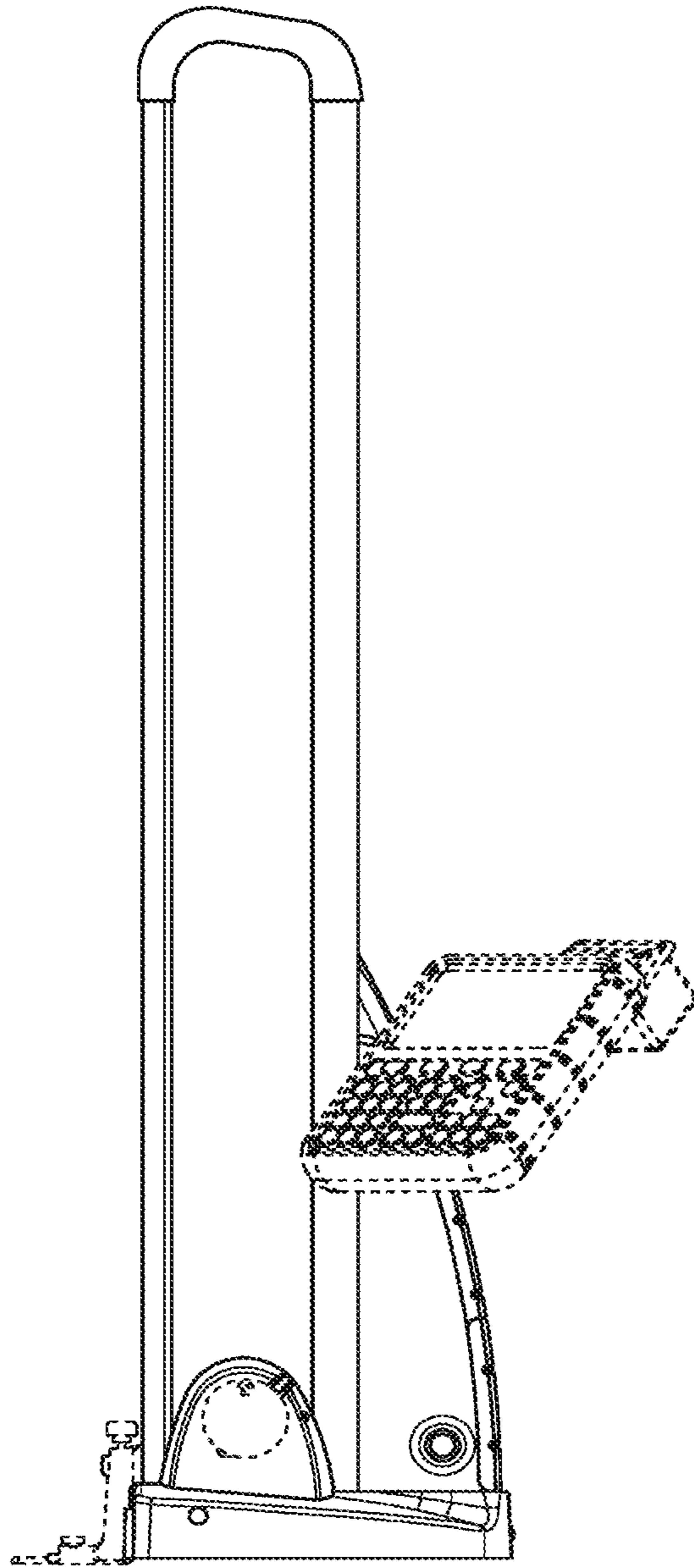


FIG. 1.6

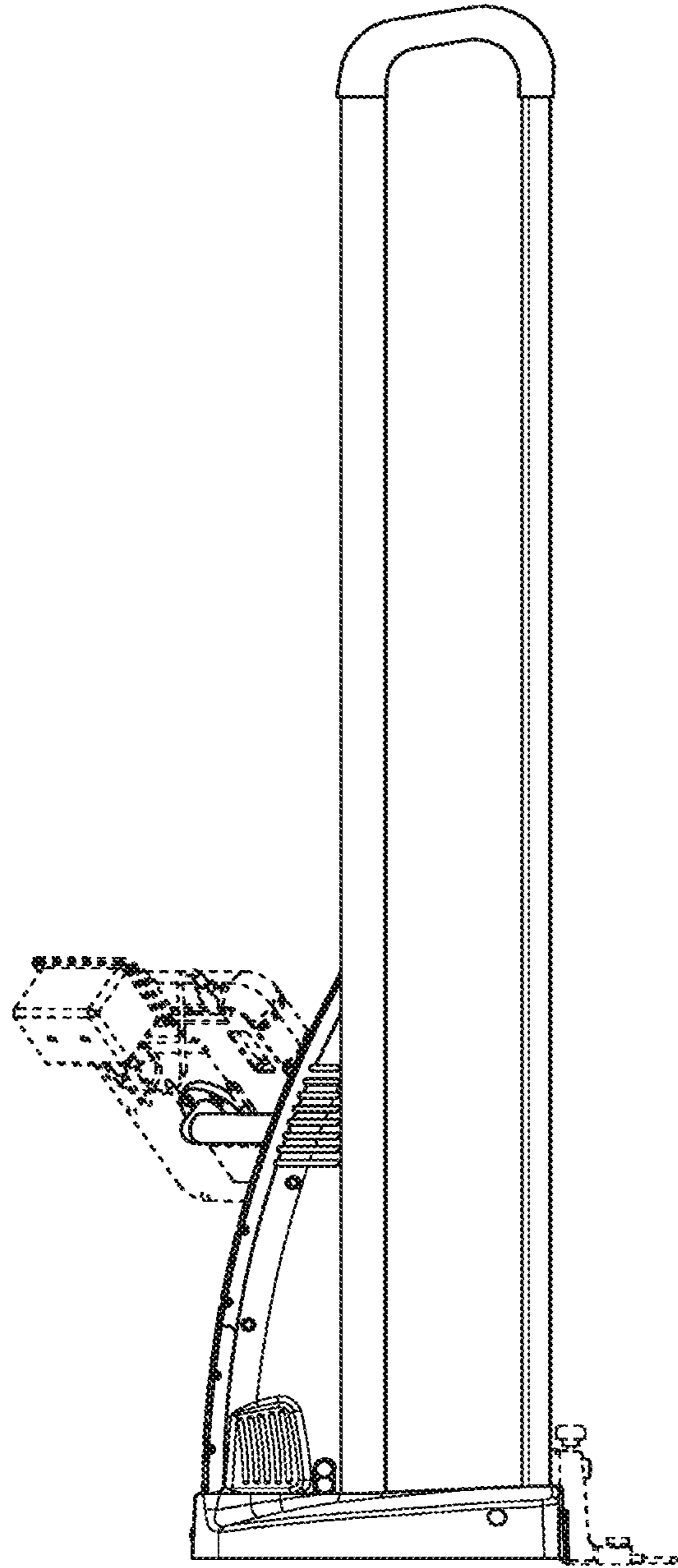


FIG. 1.7



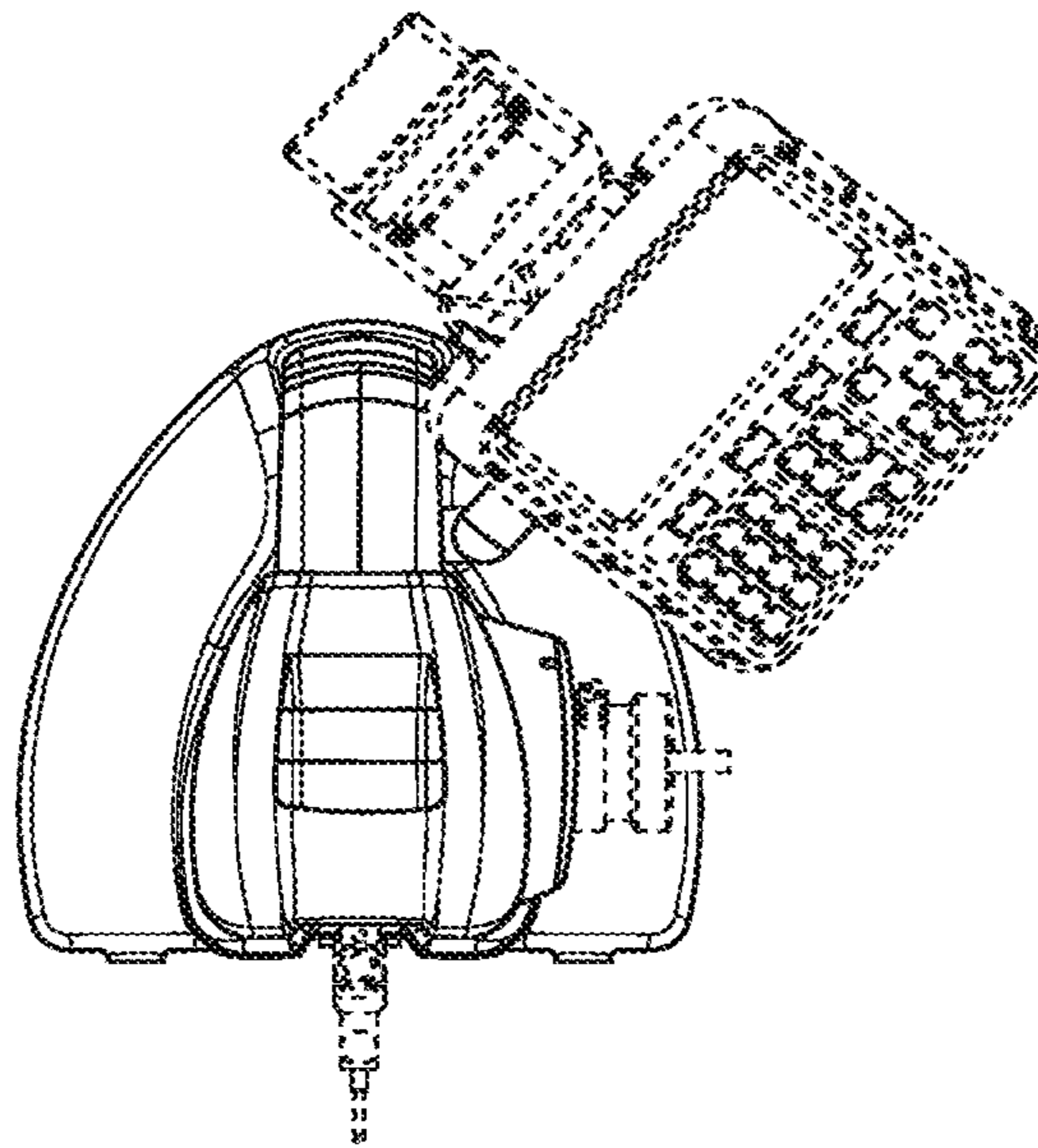


FIG. 1.8

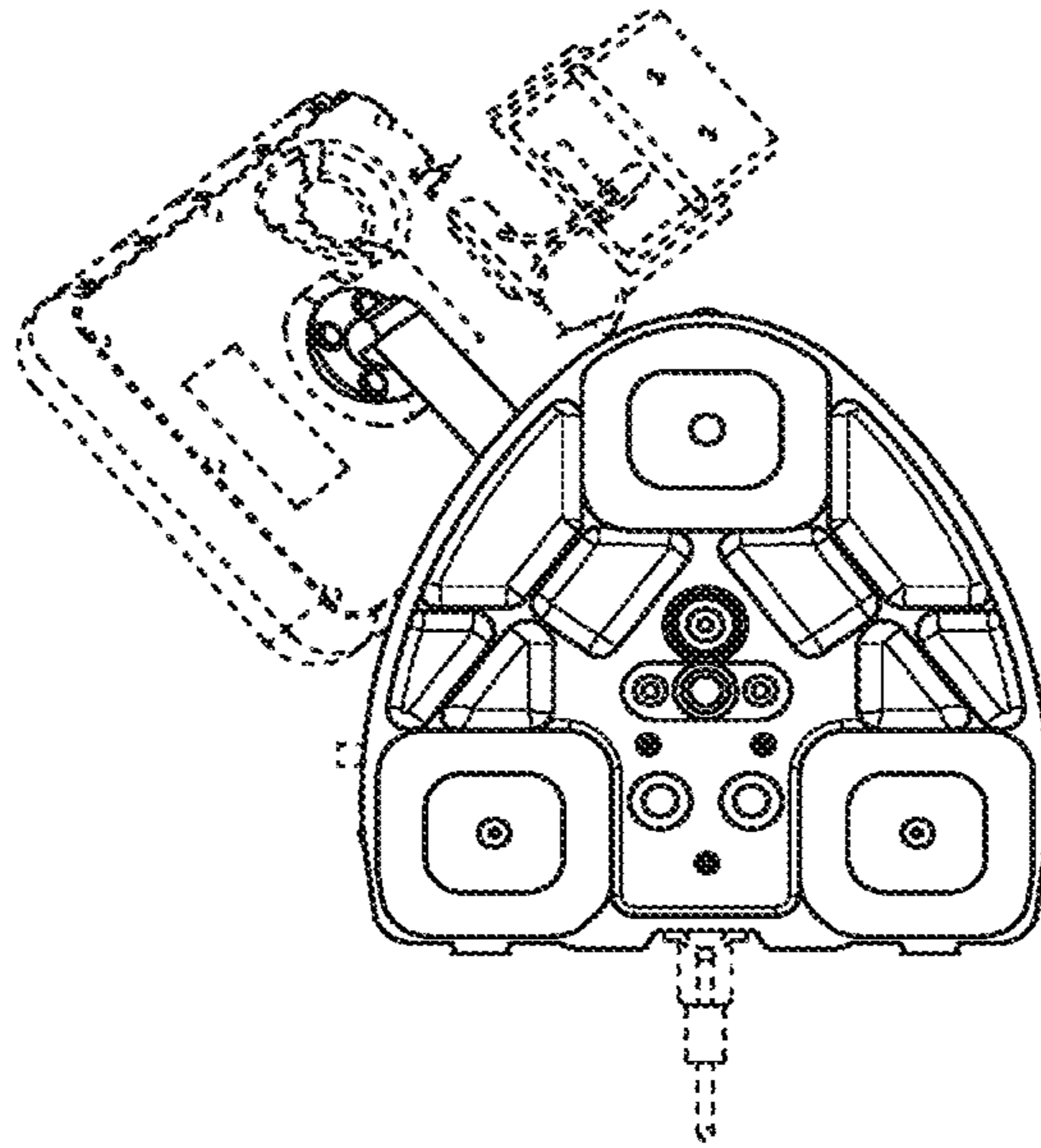


FIG. 1.9