



US00D826072S

(12) **United States Design Patent** (10) **Patent No.:** **US D826,072 S**  
**Matteo** (45) **Date of Patent:** **\*\* Aug. 21, 2018**

(54) **CONSTRUCTION LASER**  
(71) Applicant: **STANLEY BLACK & DECKER INC.**, New Britain, CT (US)  
(72) Inventor: **Michael T. Matteo**, West Hartford, CT (US)  
(73) Assignee: **Stanley Black & Decker Inc.**, New Britain, CT (US)

6,915,583 B2 7/2005 El-Katcha et al.  
6,938,350 B1 9/2005 Hersey  
7,167,500 B2 1/2007 Kallabis  
7,392,592 B2 7/2008 Bublitz et al.  
D581,819 S 12/2008 Banba Yasuyki  
7,932,484 B2 4/2011 Hajmoua  
7,954,246 B2 6/2011 Hajmoua et al.  
8,360,240 B2 1/2013 Kallabis  
D744,355 S \* 12/2015 Liu ..... D10/66  
2014/0202011 A1 7/2014 Munroe et al.

(\*\*) Term: **15 Years**  
(21) Appl. No.: **29/607,967**  
(22) Filed: **Jun. 19, 2017**

**FOREIGN PATENT DOCUMENTS**

DE 112008002260 7/2010  
EP 0881463 12/1998  
EP 1235051 8/2002  
EP 1376055 1/2004  
EP 1892503 2/2008  
WO WO2014106074 7/2014

**Related U.S. Application Data**

(60) Division of application No. 29/548,987, filed on Dec. 18, 2015, now Pat. No. Des. 792,790, which is a continuation-in-part of application No. 14/936,047, filed on Nov. 9, 2015.

\* cited by examiner

*Primary Examiner* — Antoine D Davis  
(74) *Attorney, Agent, or Firm* — Stephen R. Valancius

(51) **LOC (11) Cl.** ..... **10-04**  
(52) **U.S. Cl.**  
USPC ..... **D10/69**  
(58) **Field of Classification Search**  
USPC ..... D10/66, 69  
CPC .... G01C 15/00; G01C 15/002; G01C 15/004;  
G01C 15/006; G01C 15/008; G01C  
15/02; G01C 15/04; G01C 15/06; G01C  
15/08; G01C 15/10; G01C 15/105; G01C  
15/12; G01C 15/14  
See application file for complete search history.

(57) **CLAIM**

The ornamental design for a construction laser, as shown and described.

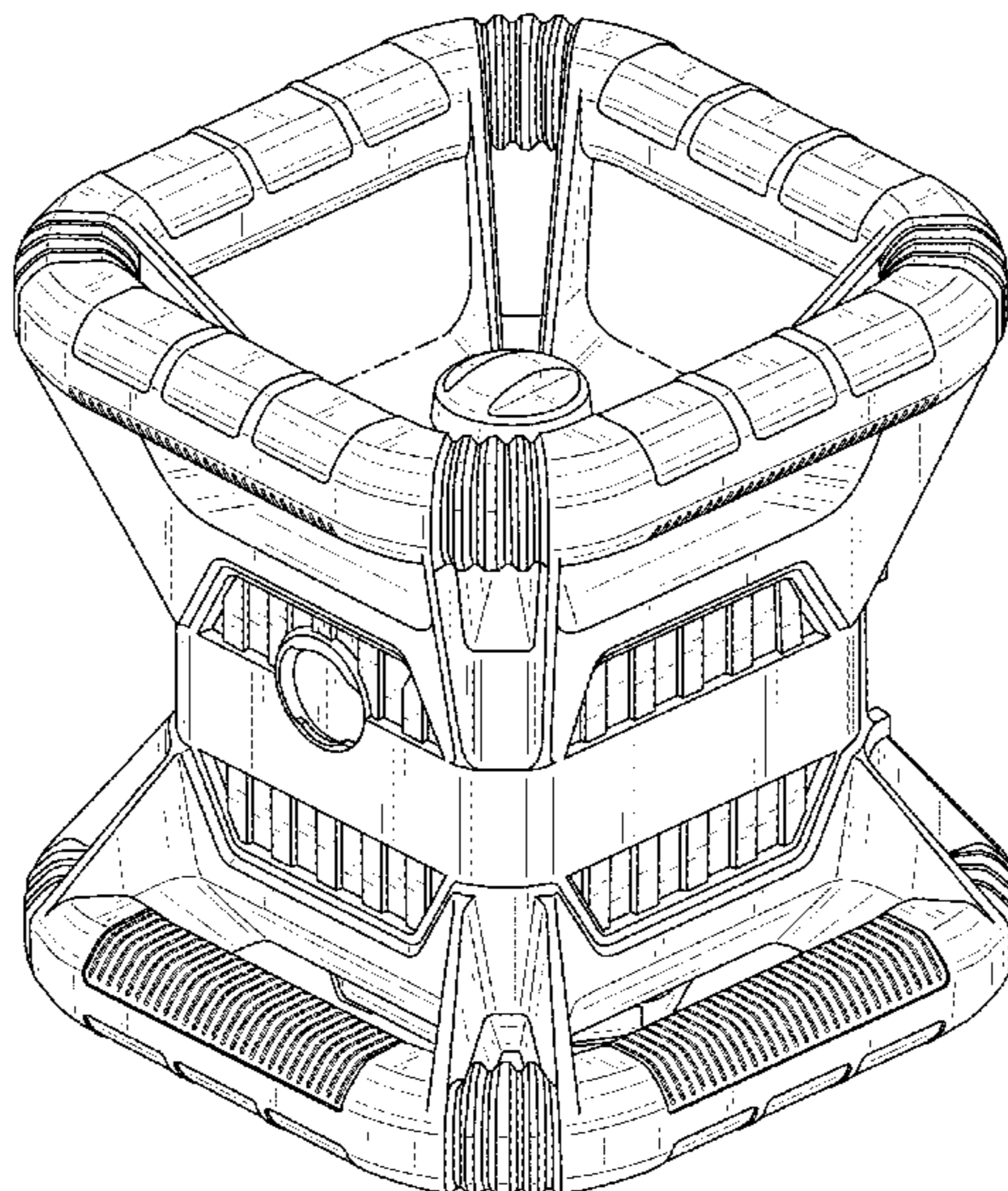
**DESCRIPTION**

FIG. 1 is a perspective view of a construction laser showing my new design;  
FIG. 2 is a top plan view thereof  
FIG. 3 is a rear view thereof;  
FIG. 4 is a right side view thereof;  
FIG. 5 is a left side view thereof;  
FIG. 6 is a front view thereof; and,  
FIG. 7 is a bottom plan view thereof.  
In the above drawings, the broken lines and the areas within the broken lines form no part of the claimed design.

(56) **References Cited**  
U.S. PATENT DOCUMENTS

6,068,821 A 5/2000 Van De Graaf  
6,195,901 B1 3/2001 Falb  
6,804,892 B1 10/2004 Yung et al.

**1 Claim, 7 Drawing Sheets**



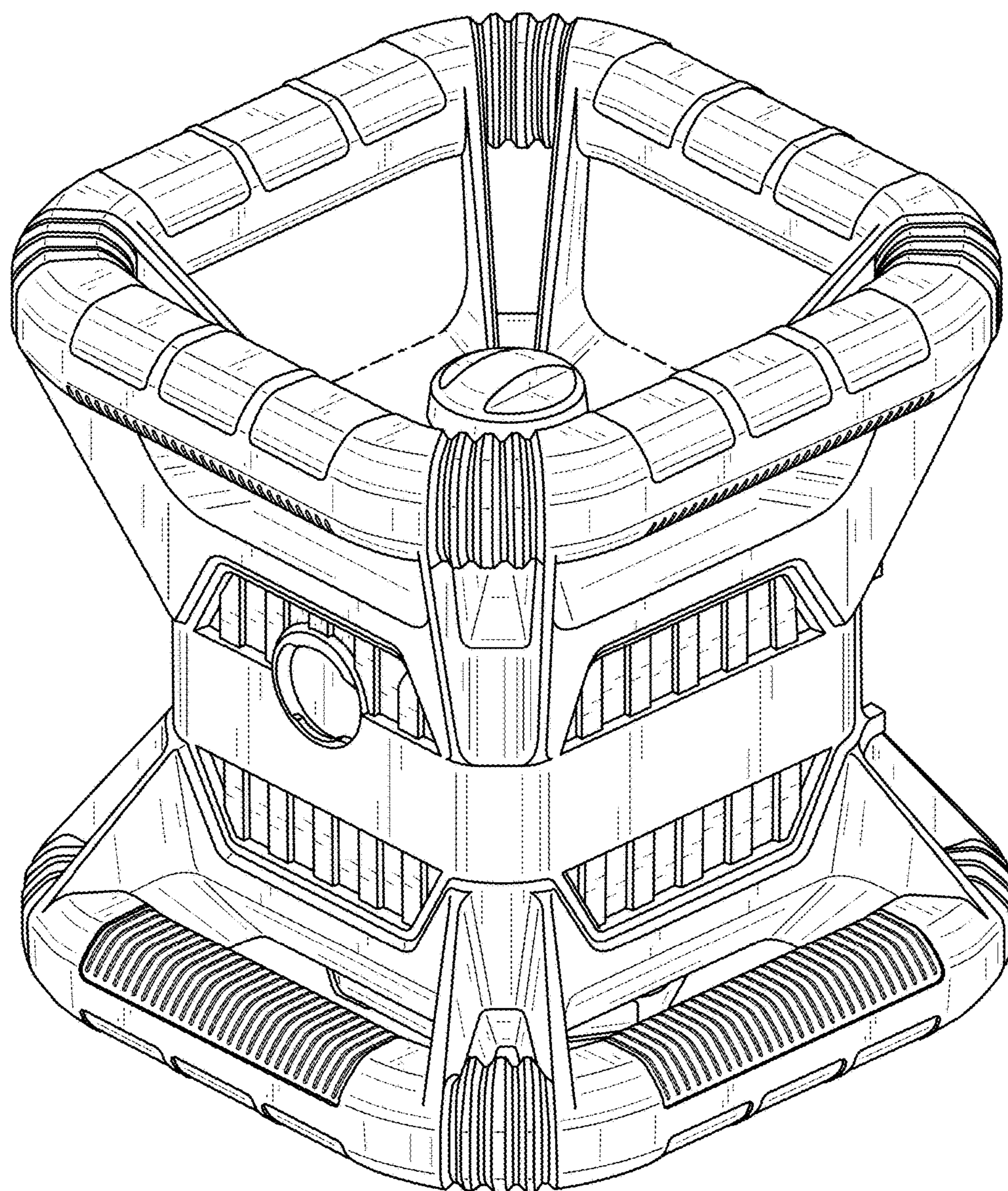


FIG. 1

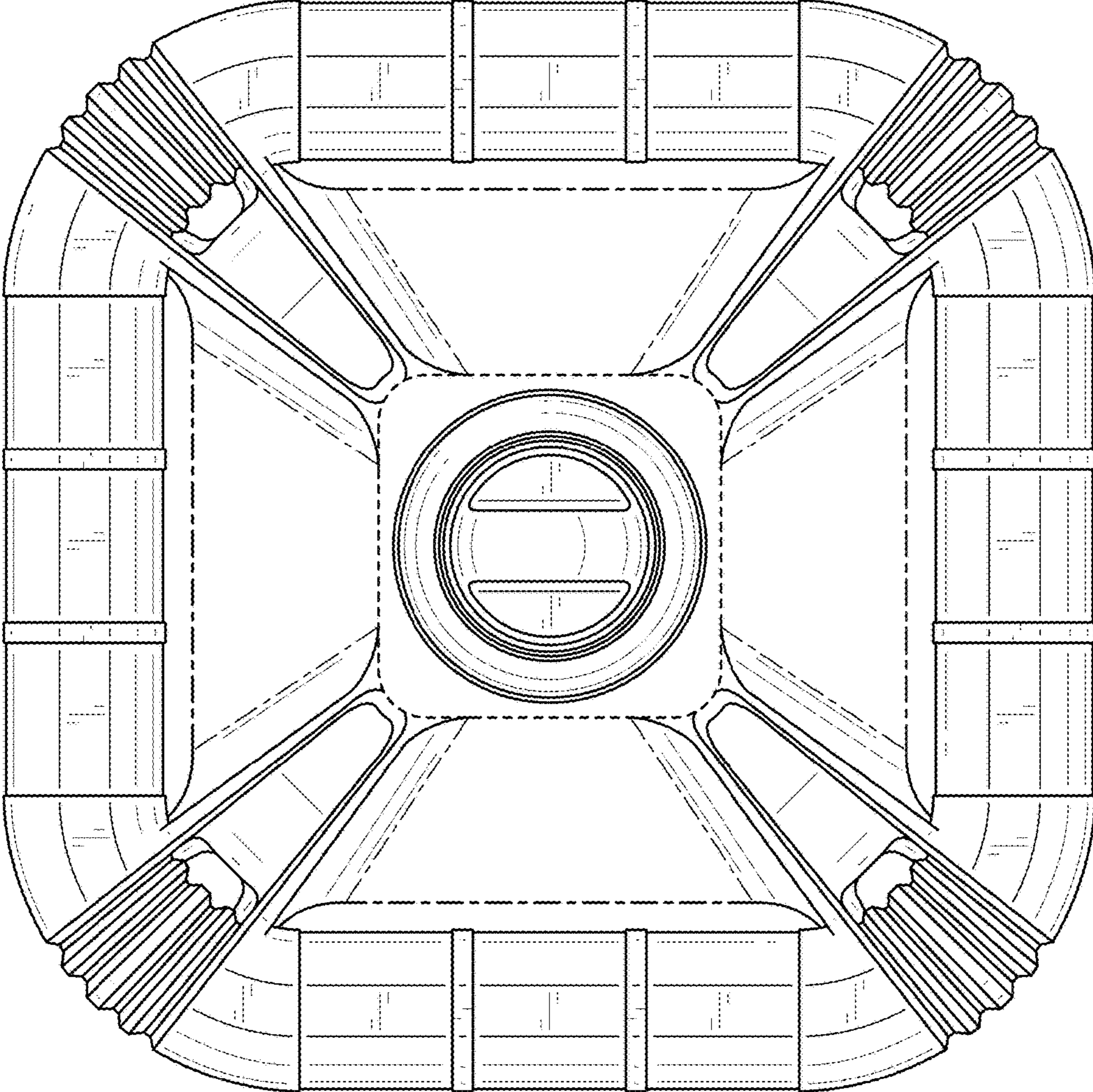


FIG. 2

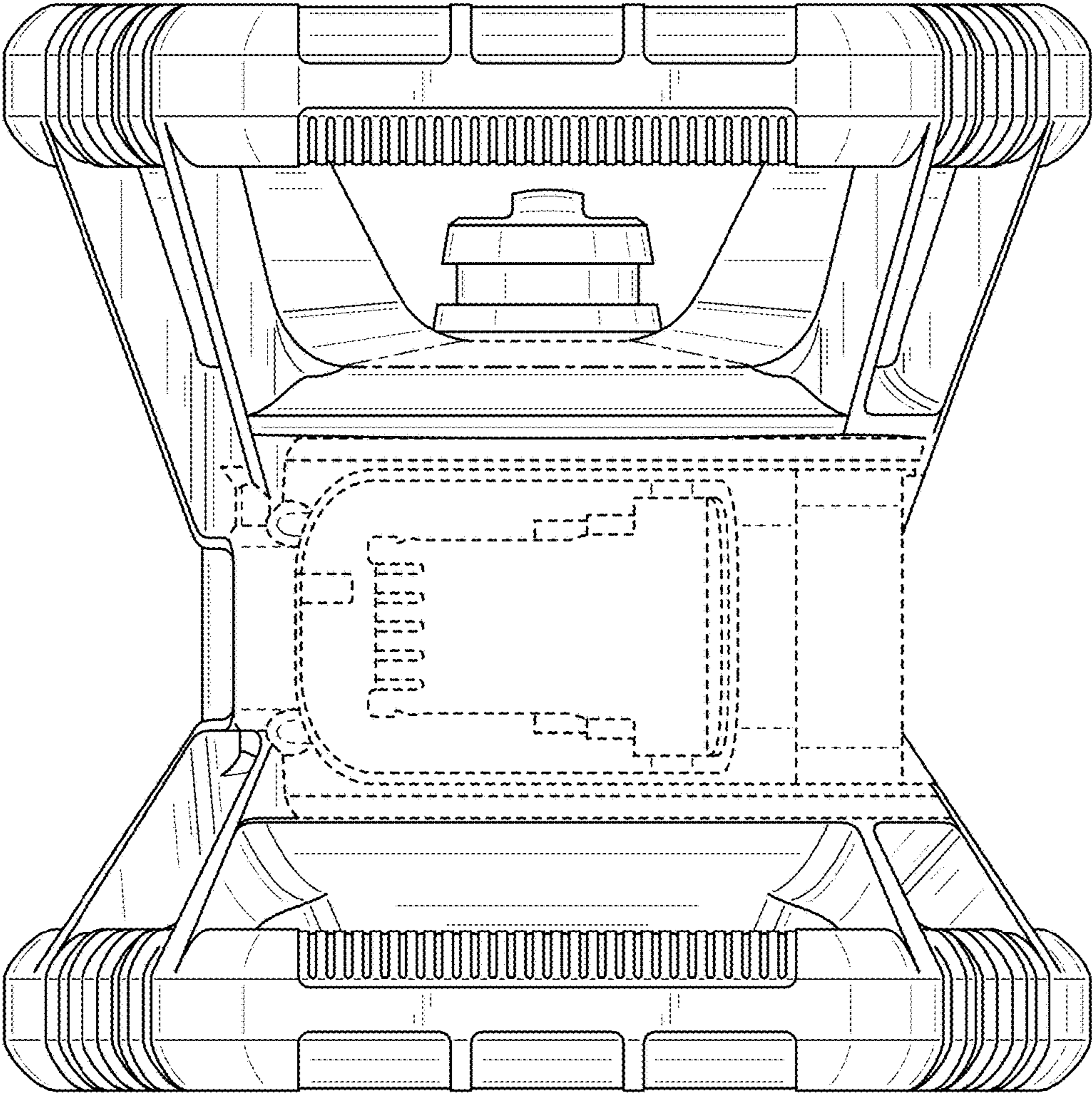


FIG. 3

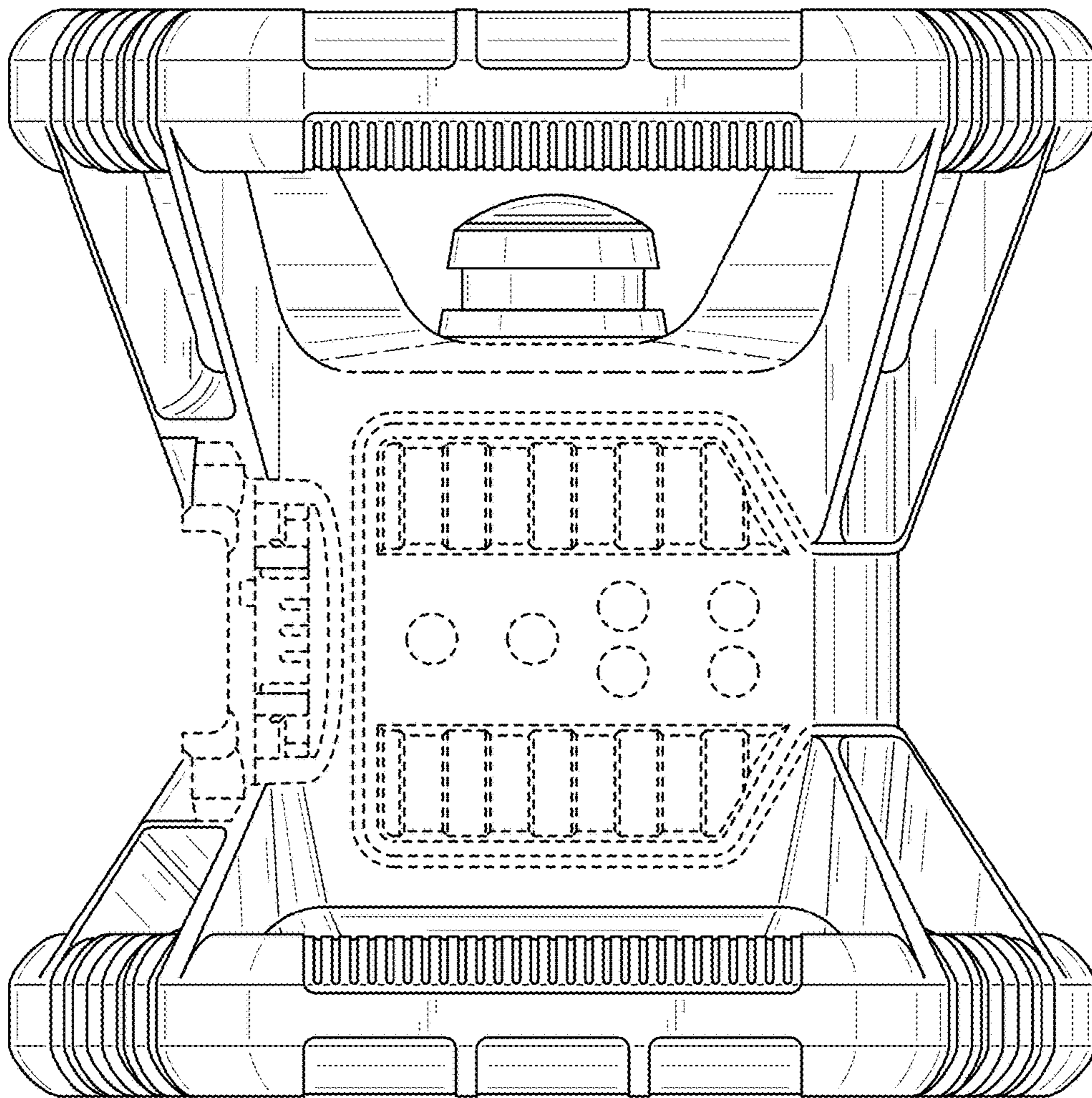


FIG. 4

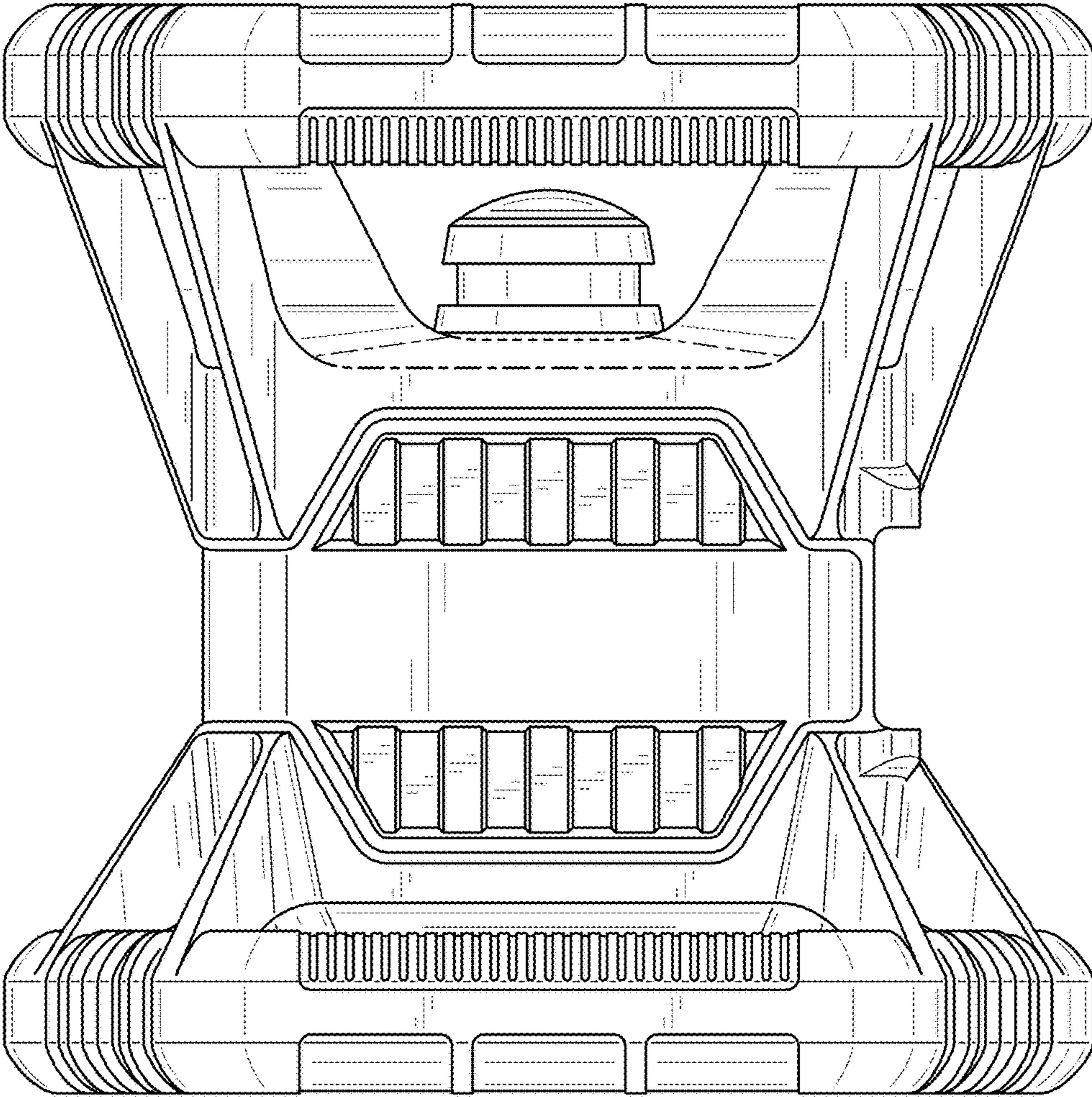


FIG. 5

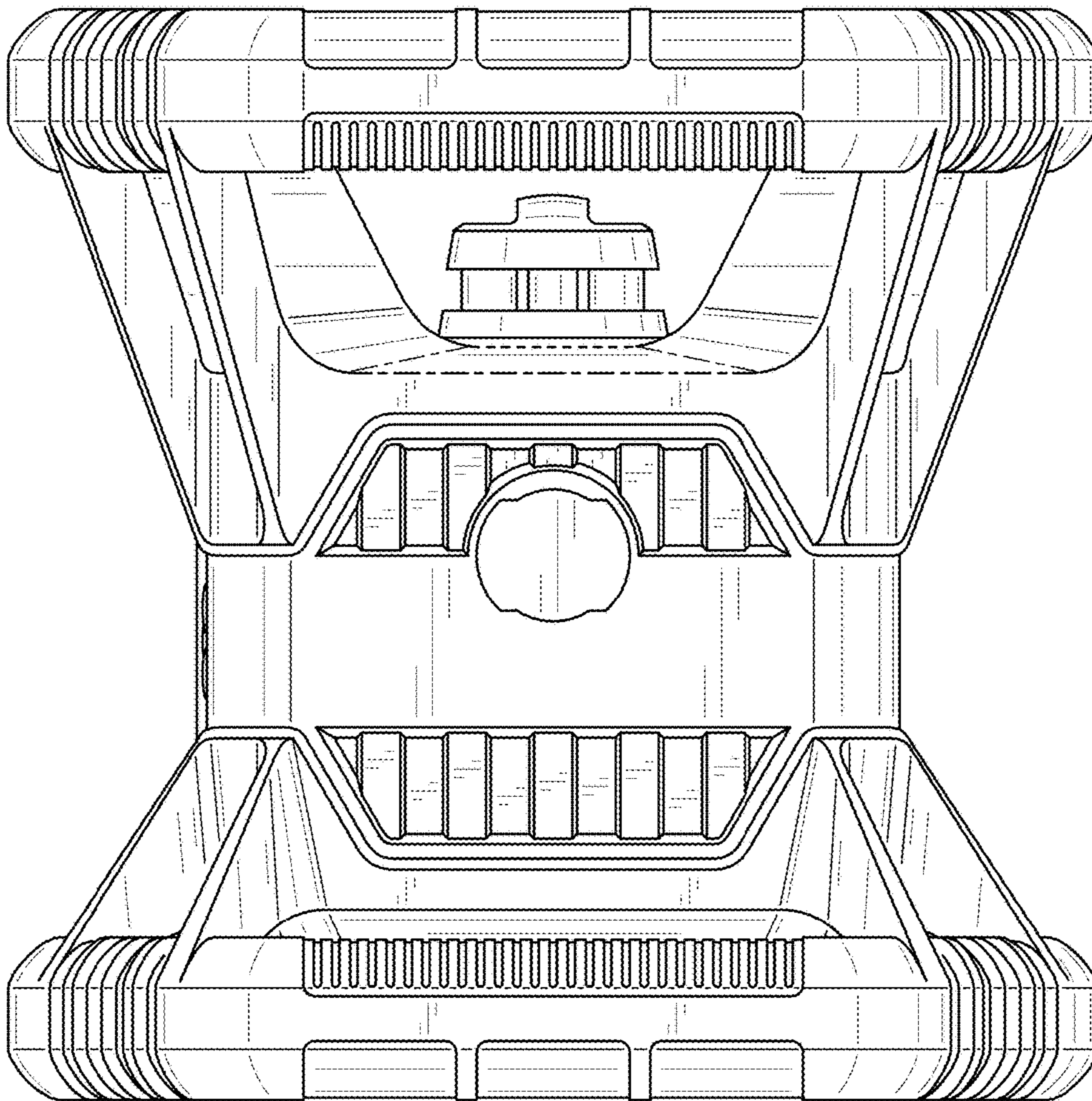


FIG. 6

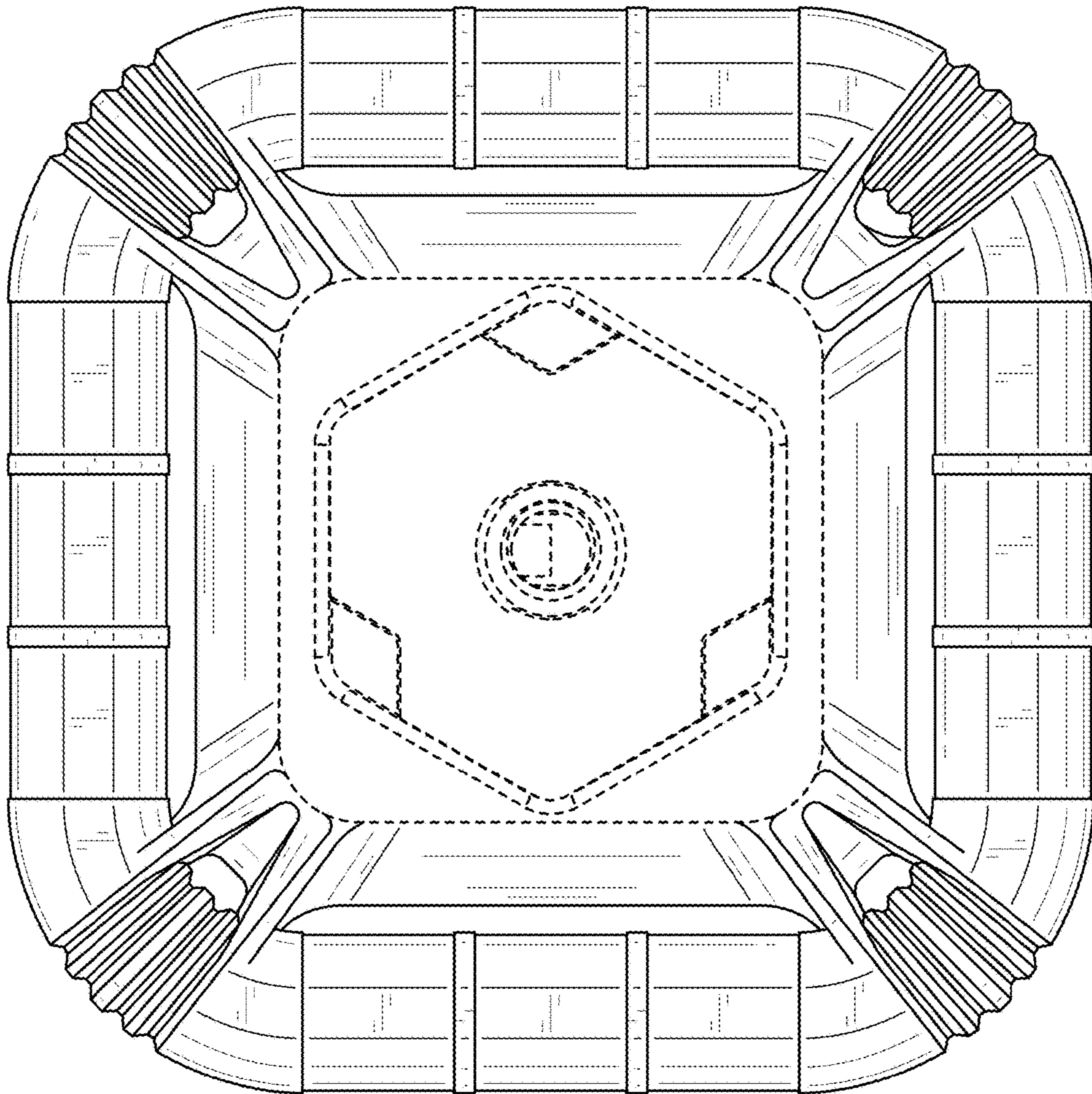


FIG. 7