



US00D826070S

(12) **United States Design Patent** (10) **Patent No.:** **US D826,070 S**
Parmigiani (45) **Date of Patent:** **** Aug. 21, 2018**

- (54) **WATCH CASE**
- (71) Applicant: **Michel Parmigiani**, Fleurier (CH)
- (72) Inventor: **Michel Parmigiani**, Fleurier (CH)
- (73) Assignee: **Parmigiani Fleurier SA** (CH)
- (**) Term: **15 Years**
- (21) Appl. No.: **29/610,224**
- (22) Filed: **Jul. 11, 2017**
- (51) **LOC (11) Cl.** **10-02**
- (52) **U.S. Cl.**
USPC **D10/30**
- (58) **Field of Classification Search**
USPC D10/30-39, 42, 122-124, 126, 128;
D11/3; D14/344; D99/28, 99; D24/167,
D24/186
See application file for complete search history.

D733,582 S * 7/2015 Gueit D10/38
 D795,086 S * 8/2017 Monachon D10/30
 2015/0212491 A1* 7/2015 Tschumi G04B 37/0008
 368/299

OTHER PUBLICATIONS

The Parmigiani Fleurier Toric Chronometre | posted at hodinkee.com Jan. 24, 2017 © 2009-2018, Hodinkee Inc [online][site visited Jun. 14, 2018]. Available from Internet: <https://www.hodinkee.com/articles/parmigiani-fleurier-toric-chronometre-introducing> (Year: 2017).*

Detailed Look at the Parmigiani Toric Chronometre | posted at watchesbysjx.com Jun. 2017 © 2011-2018 SJX [online][site visited Jun. 14, 2018]. Available from internet: <http://watchesbysjx.com/2017/06/a-detailed-look-at-the-parmigiani-toric-chronometre-brilliantly-made-and-sparsely-sold.html> (Year: 2017).*

* cited by examiner

Primary Examiner — Sandra S Snapp

Assistant Examiner — Katherine Glennon

(74) *Attorney, Agent, or Firm* — Galbreath Law Offices, P.C.; John A. Galbreath

(56) **References Cited**

U.S. PATENT DOCUMENTS

- D358,776 S * 5/1995 Pandel D10/30
- D386,420 S * 11/1997 Kennedy D10/30
- D386,435 S * 11/1997 Kennedy D10/122
- D390,788 S * 2/1998 Parmigiani D10/30
- D477,236 S * 7/2003 Robert-Tissot D10/39
- D554,535 S * 11/2007 Journe D10/31
- D617,213 S * 6/2010 Dolce D10/38
- D632,980 S * 2/2011 Yurman D10/38
- D645,361 S * 9/2011 Parmigiani D10/38
- D660,727 S * 5/2012 Parmigiani D10/38
- D671,429 S * 11/2012 Parmigiani D10/38
- D671,846 S * 12/2012 Parmigiani D10/39
- D675,111 S * 1/2013 Yurman D10/32
- D700,529 S * 3/2014 Berezkin D10/31
- D705,672 S * 5/2014 Favre D10/38
- D708,073 S * 7/2014 Parmigiani D10/38
- D718,154 S * 11/2014 Gueit D10/38
- D725,528 S * 3/2015 Parmigiani D10/128

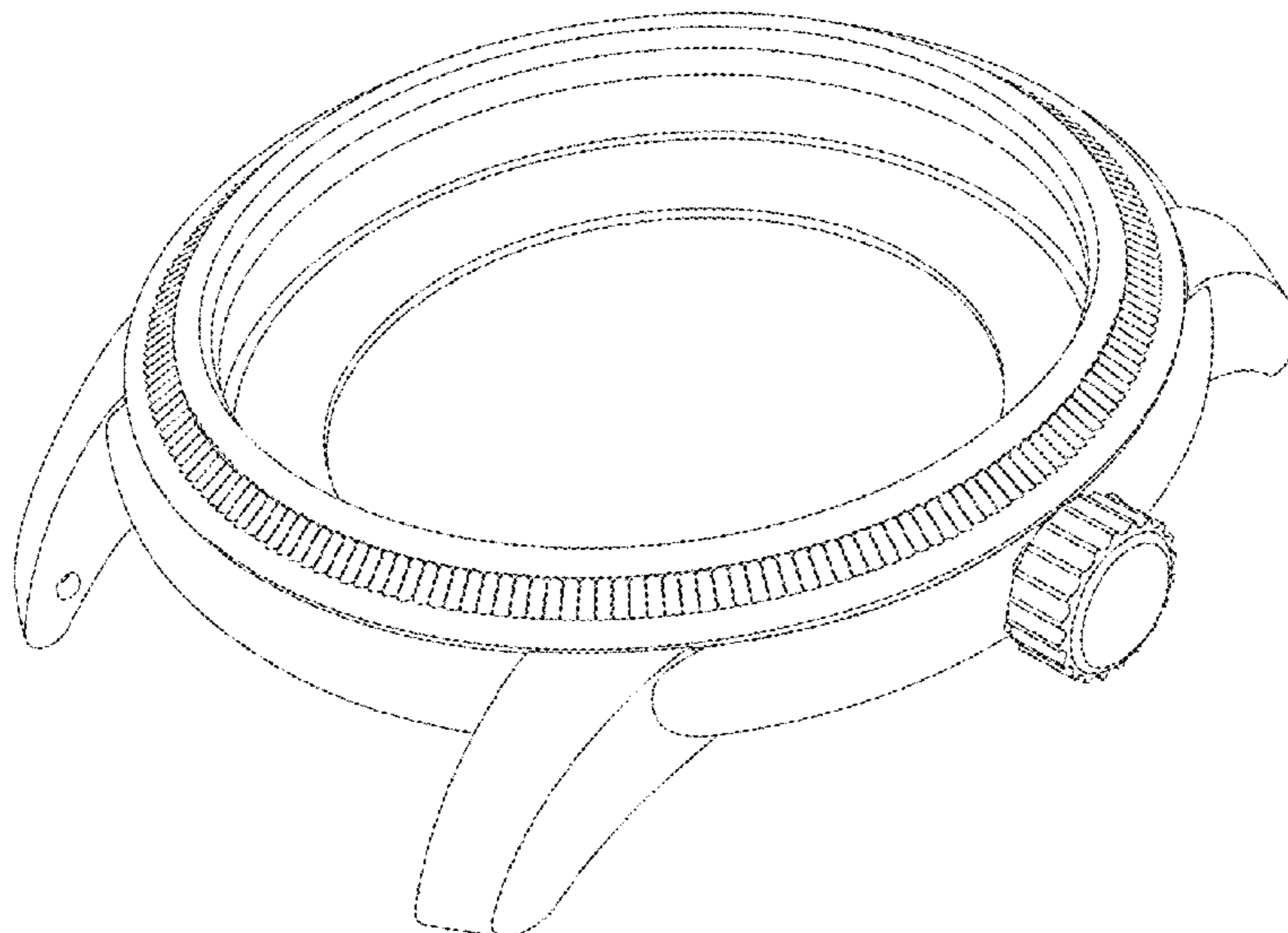
(57) **CLAIM**

The ornamental design for a watch case, as shown and described.

DESCRIPTION

FIG. 1 is a top plan view of a watch case showing my new design;
 FIG. 2 is a bottom plan view thereof;
 FIG. 3 is a left side elevational view thereof;
 FIG. 4 is a right side elevational view thereof;
 FIG. 5 is a rear elevational view thereof;
 FIG. 6 is a front elevational view thereof;
 FIG. 7 is a top right perspective view thereof; and,
 FIG. 8 is a bottom left perspective view thereof.

1 Claim, 8 Drawing Sheets



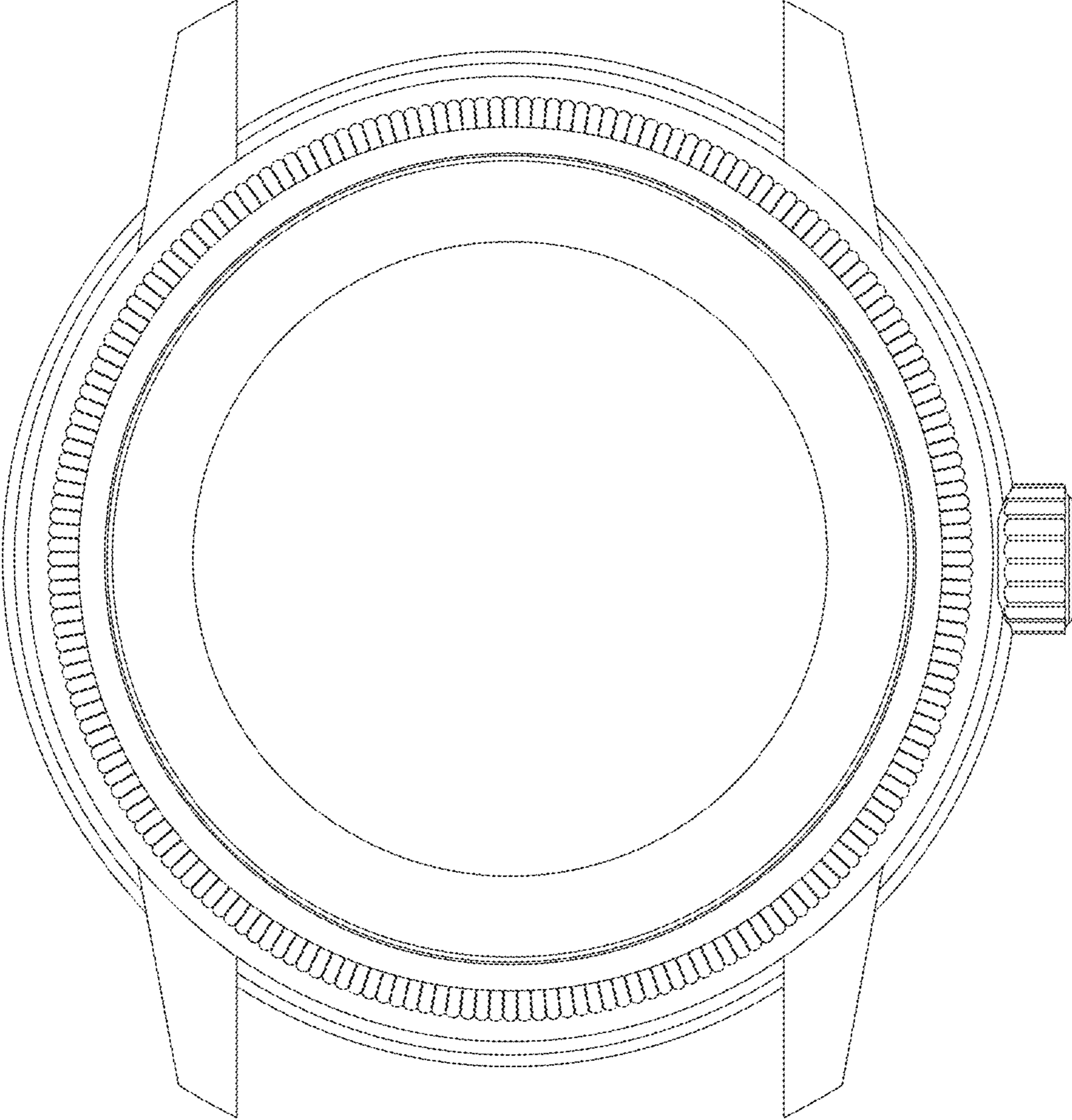


Fig. 1

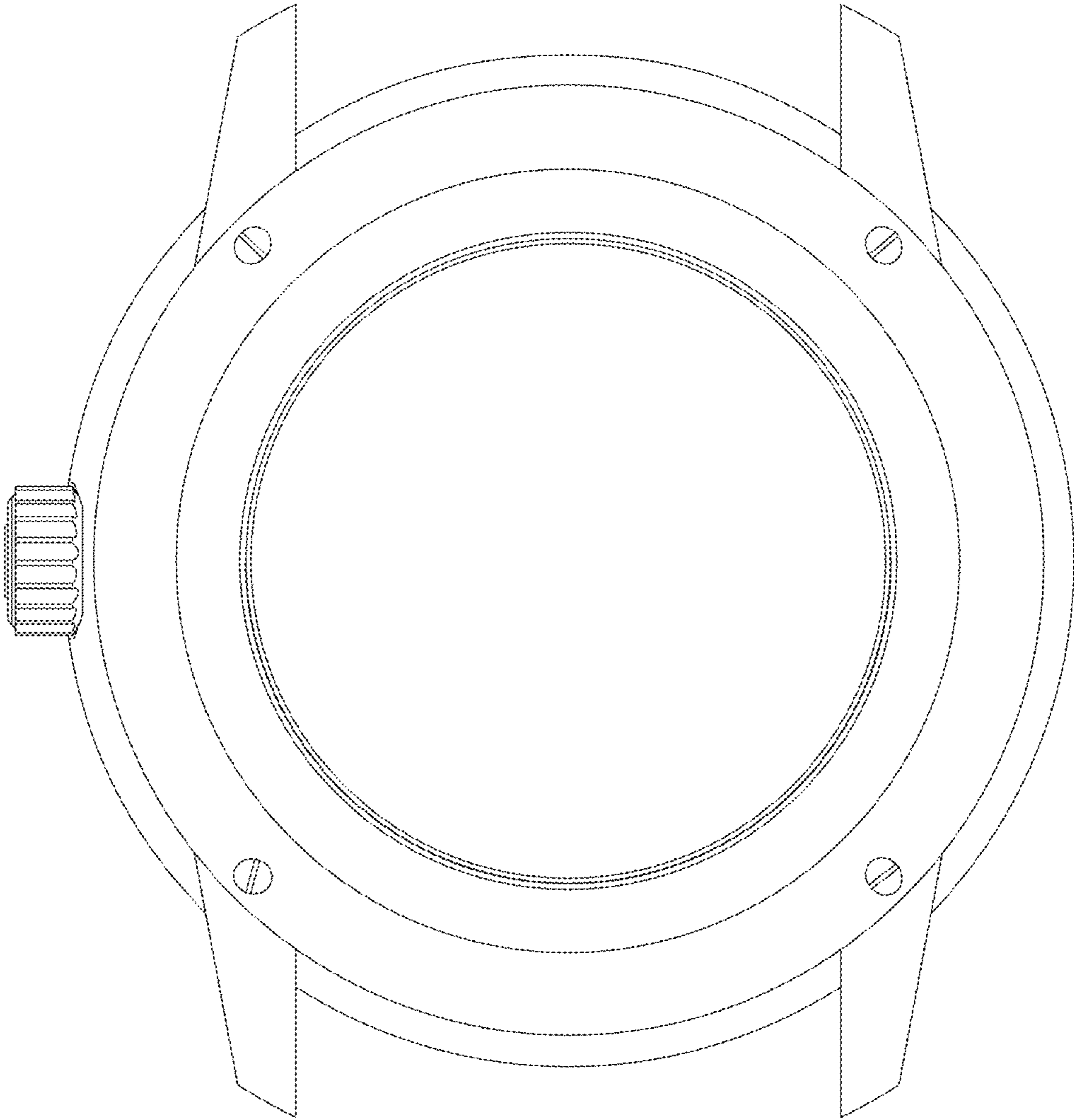


Fig. 2

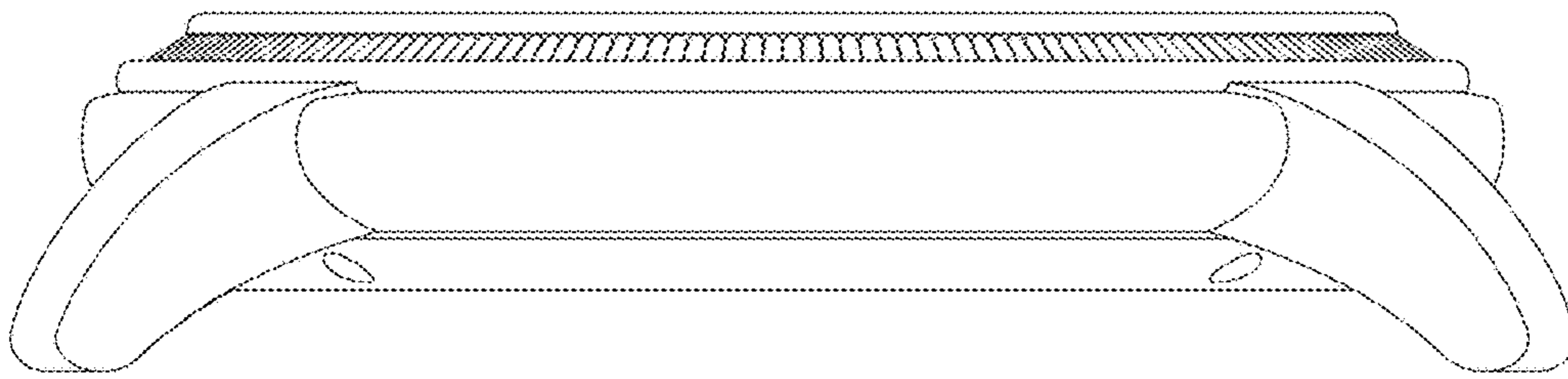


Fig. 3

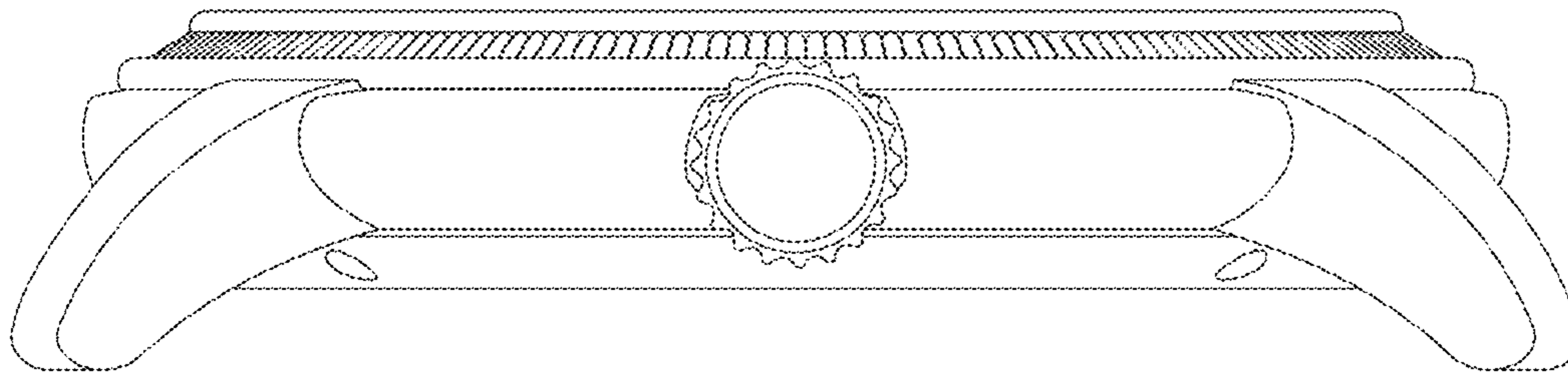


Fig. 4

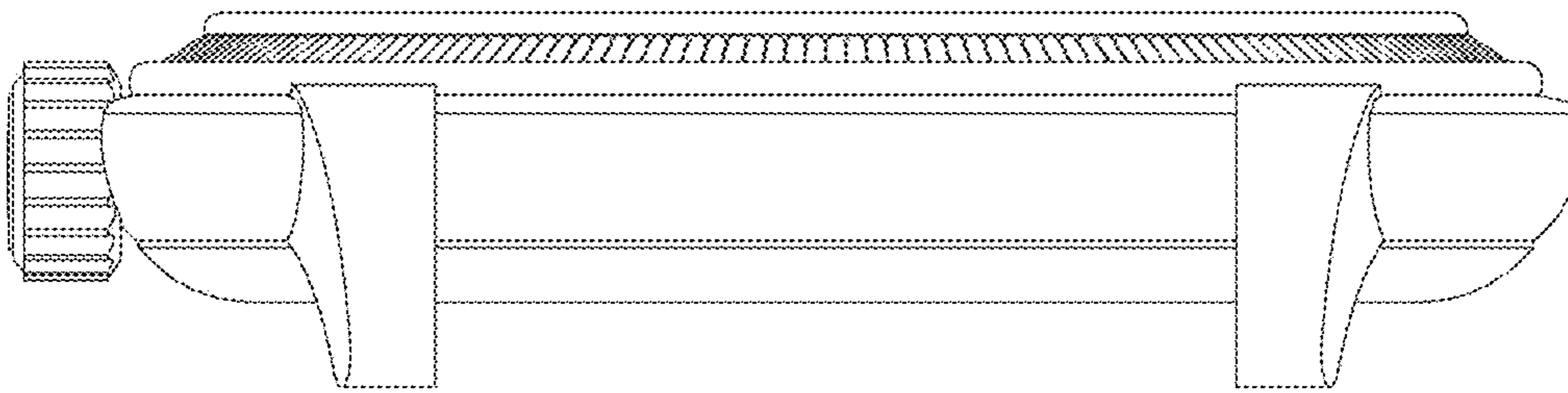


Fig. 5

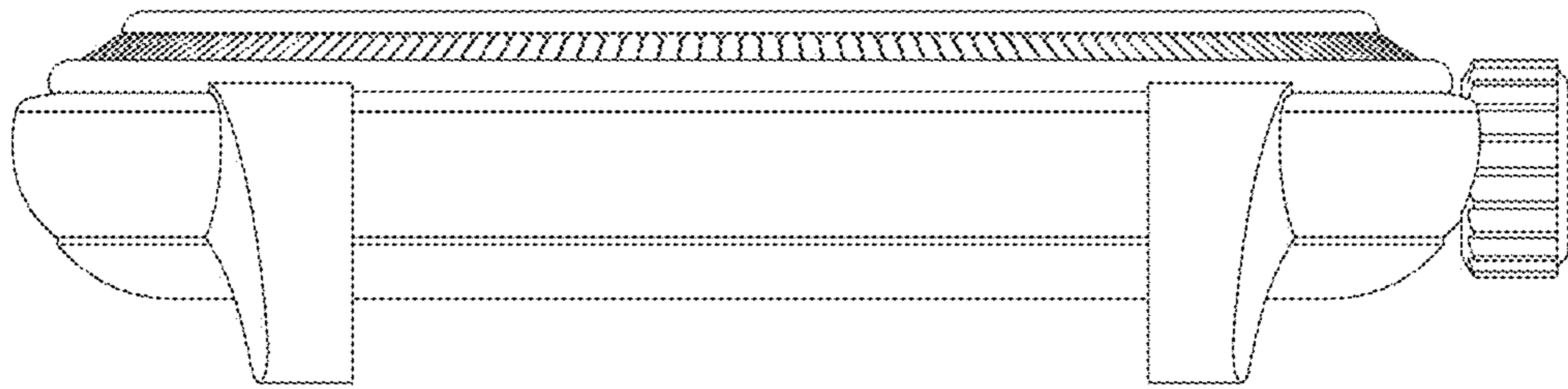


Fig. 6

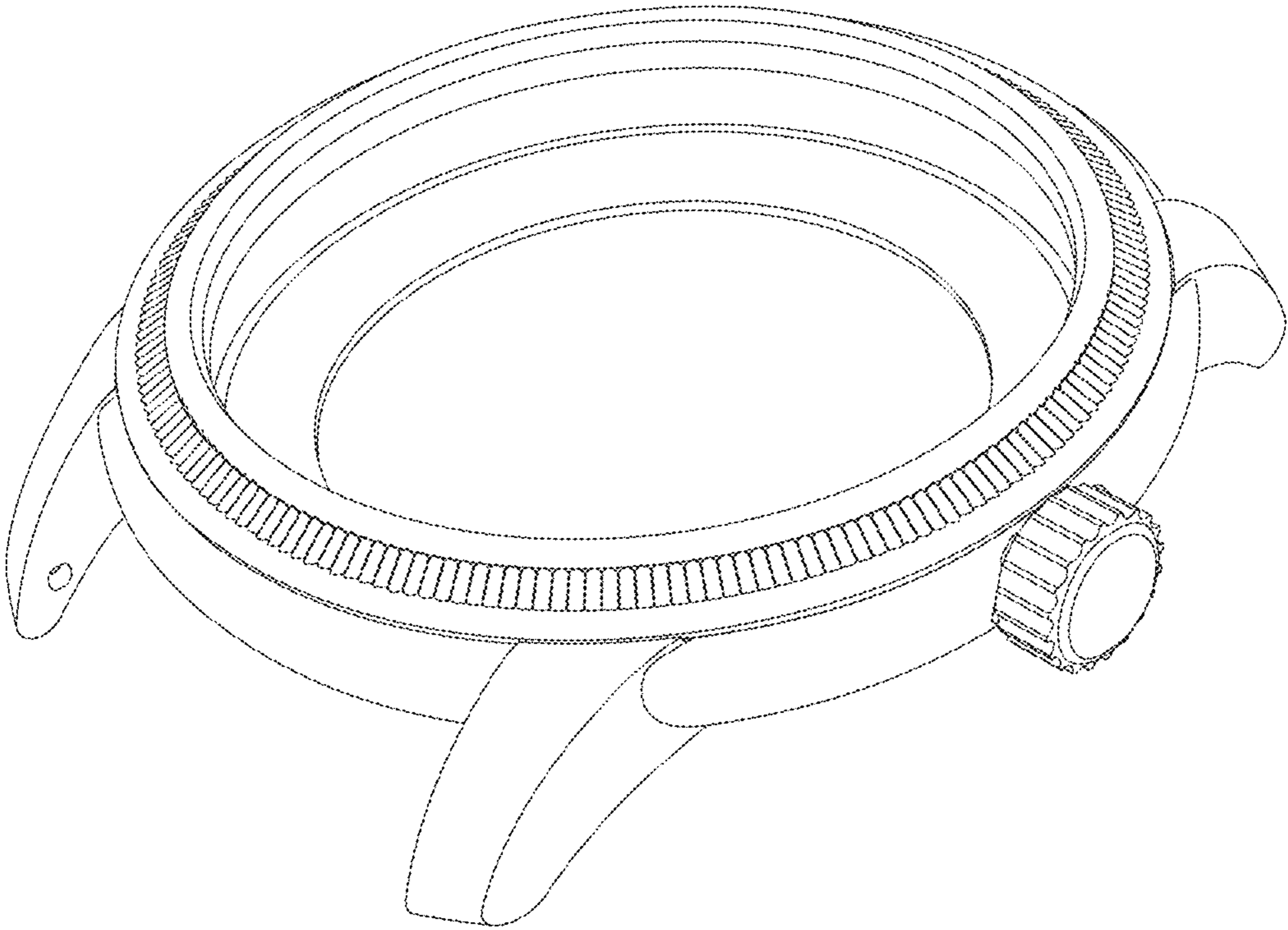


Fig. 7

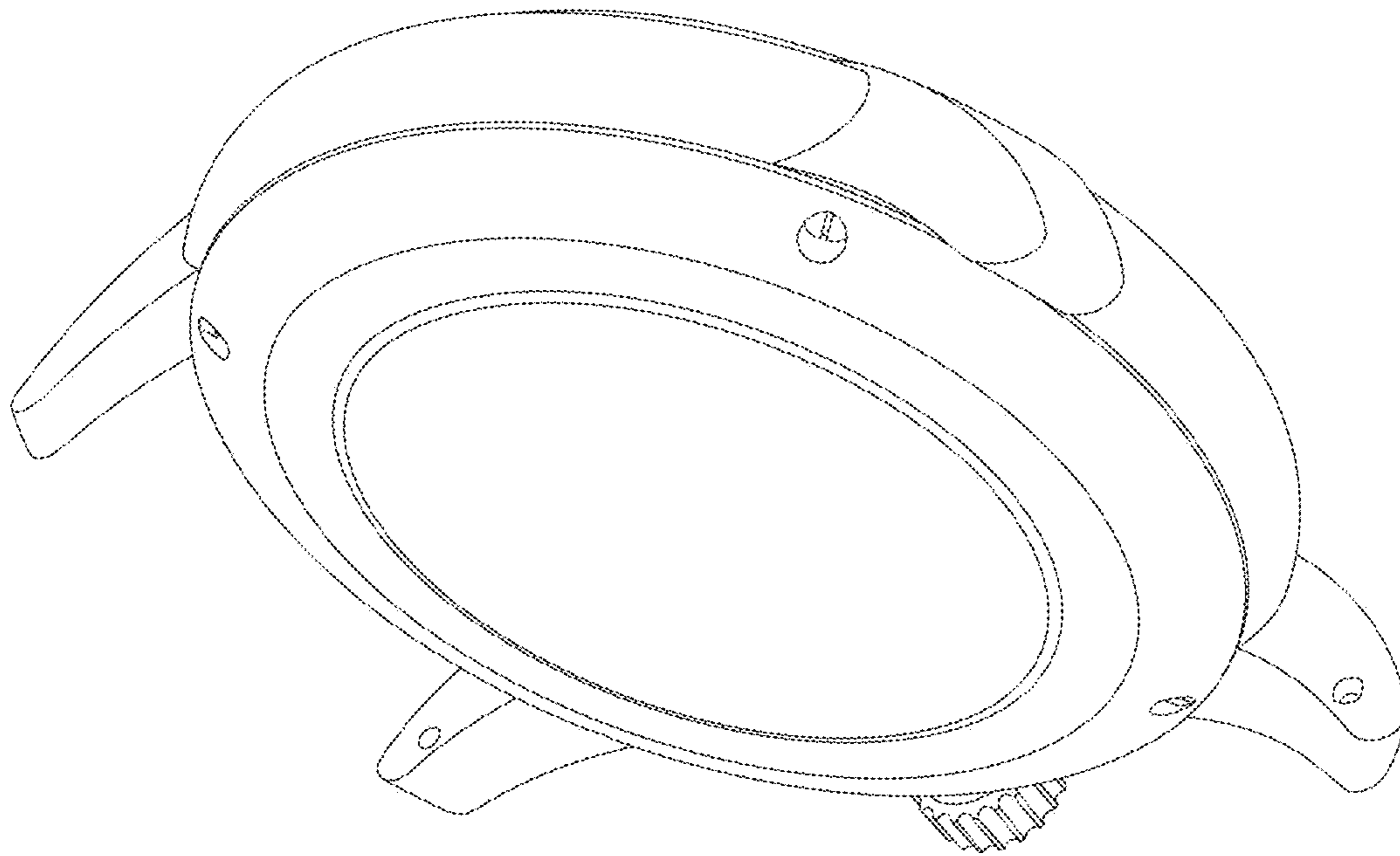


Fig. 8