



US00D826068S

(12) **United States Design Patent**
Aboabdo

(10) **Patent No.:** **US D826,068 S**
(45) **Date of Patent:** **** Aug. 21, 2018**

(54) **DISPENSING BOTTLE KIT**

(71) Applicant: **Eyad Aboabdo**, Fullerton, CA (US)

(72) Inventor: **Eyad Aboabdo**, Fullerton, CA (US)

(**) Term: **15 Years**

(21) Appl. No.: **29/584,247**

(22) Filed: **Nov. 13, 2016**

(51) **LOC (11) Cl.** **09-01**

(52) **U.S. Cl.**
USPC **D9/724**

(58) **Field of Classification Search**
USPC D9/516, 529, 549, 550, 556, 558, 571,
D9/723-727; D24/100, 108, 115; D28/4,
(Continued)

(56) **References Cited**

U.S. PATENT DOCUMENTS

D251,203 S * 2/1979 Williamson D24/114
D368,425 S * 4/1996 Newell D9/504
(Continued)

Primary Examiner — Derrick E Holland

Assistant Examiner — Janice Julia Patyk

(74) *Attorney, Agent, or Firm* — William L Chapin

(57) **CLAIM**

The ornamental design for a dispensing bottle kit, as shown and described.

DESCRIPTION

FIG. 1 is a perspective view of a first embodiment of a dispensing bottle kit according to the present invention.
FIG. 2 is an elevation view thereof.
FIG. 3 is a top plan view thereof.
FIG. 4 is a bottom plan view thereof.
FIG. 5 is an exploded elevation view thereof.
FIG. 6 is a top plan view of the bottle thereof, shown without the cap for ease of illustration.

FIG. 7 is a bottom plan view of the outer cap thereof, shown without the bottle for ease of illustration.
FIG. 8 is another exploded elevation view thereof.
FIG. 9 is an elevation view of the outer cap thereof, shown without the bottle for ease of illustration.
FIG. 10 is a top plan view of the outer cap thereof, shown without the bottle for ease of illustration.
FIG. 11 is a bottom plan view of the outer cap thereof, shown without the bottle for ease of illustration.
FIG. 12 is an elevation view of the inner cap thereof, shown without the bottle for ease of illustration.
FIG. 13 is a top plan view of the inner cap thereof, shown without the bottle for ease of illustration.
FIG. 14 is a bottom plan view of the inner cap thereof, shown without the bottle for ease of illustration.
FIG. 15 is an elevation view of the nozzle thereof, shown without the bottle for ease of illustration.
FIG. 16 is a top plan view of the nozzle thereof, shown without the bottle for ease of illustration.
FIG. 17 is a bottom plan view of the nozzle thereof, shown without the bottle for ease of illustration.
FIG. 18 is an elevation view of the bottle thereof, shown without the cap for ease of illustration.
FIG. 19 is a top plan view of the bottle thereof, shown without the cap for ease of illustration.
FIG. 20 is a bottom plan view of the bottle thereof, shown without the cap for ease of illustration.
FIG. 21 is a perspective view of a second embodiment of a dispensing bottle kit according to the present invention.
FIG. 22 is an elevation view thereof.
FIG. 23 is a top plan view thereof.
FIG. 24 is a bottom plan view thereof.
FIG. 25 is an exploded elevation view thereof.
FIG. 26 is a top plan view of the bottle thereof, shown without the cap for ease of illustration.
FIG. 27 is a bottom plan view of the cap thereof, shown without the bottle for ease of illustration.
FIG. 28 is another exploded elevation view thereof.
FIG. 29 is an elevation view of the outer cap thereof, shown without the bottle for ease of illustration.
FIG. 30 is a top plan view of the outer cap thereof, shown without the bottle for ease of illustration.

(Continued)

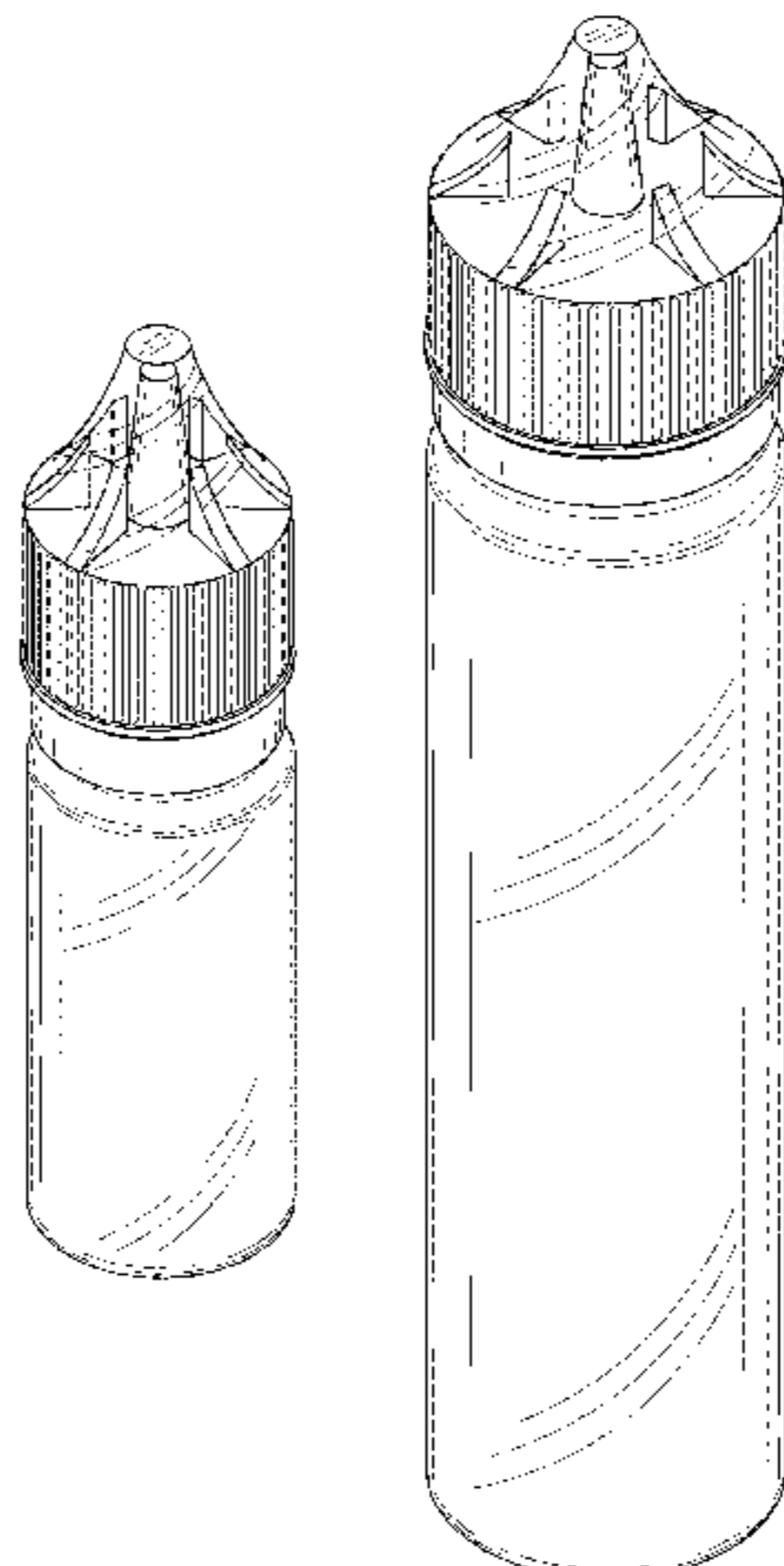


FIG. 31 is a bottom plan view of the outer cap thereof, shown without the bottle for ease of illustration.
FIG. 32 is an elevation view of the inner cap thereof, shown without the bottle for ease of illustration.
FIG. 33 is a top plan view of the inner cap thereof, shown without the bottle for ease of illustration.
FIG. 34 is a bottom plan view of the inner cap thereof, shown without the bottle for ease of illustration.
FIG. 35 is a top plan view of the nozzle thereof, shown without the bottle for ease of illustration.
FIG. 36 is a top plan view of the bottle thereof, shown without the nozzle for ease of illustration.
FIG. 37 is an elevation view of the nozzle thereof, shown without the bottle for ease of illustration.
FIG. 38 is an elevation view of the bottle thereof, shown without the cap for ease of illustration.
FIG. 39 is a top plan view of the nozzle thereof, shown without the bottle for ease of illustration; and,
FIG. 40 is a bottom plan view of the bottle thereof, shown without the cap for ease of illustration.
The broken lines in the figures illustrate the portions of the designs that form no part of the claimed design.

The broken lines of FIGS. 8 and 28 are included to show the relationship of the bottle, outer cap, and inner cap only, and form no part of the claimed design.

1 Claim, 12 Drawing Sheets

(58) **Field of Classification Search**

USPC D28/7, 9, 73, 76, 85; 206/385, 438, 823;
222/206, 212, 213, 215; 604/295;
606/204.25

CPC A45D 34/04; A45D 34/042; A45D 40/00;
A45D 40/26; A45D 40/262; B65D 1/023;
B65D 47/18; B65D 41/02; B65D 2203/00

See application file for complete search history.

(56) **References Cited**

U.S. PATENT DOCUMENTS

D551,569 S * 9/2007 Tanaka D9/724
D601,908 S * 10/2009 Yun D9/724

* cited by examiner

Fig. 1

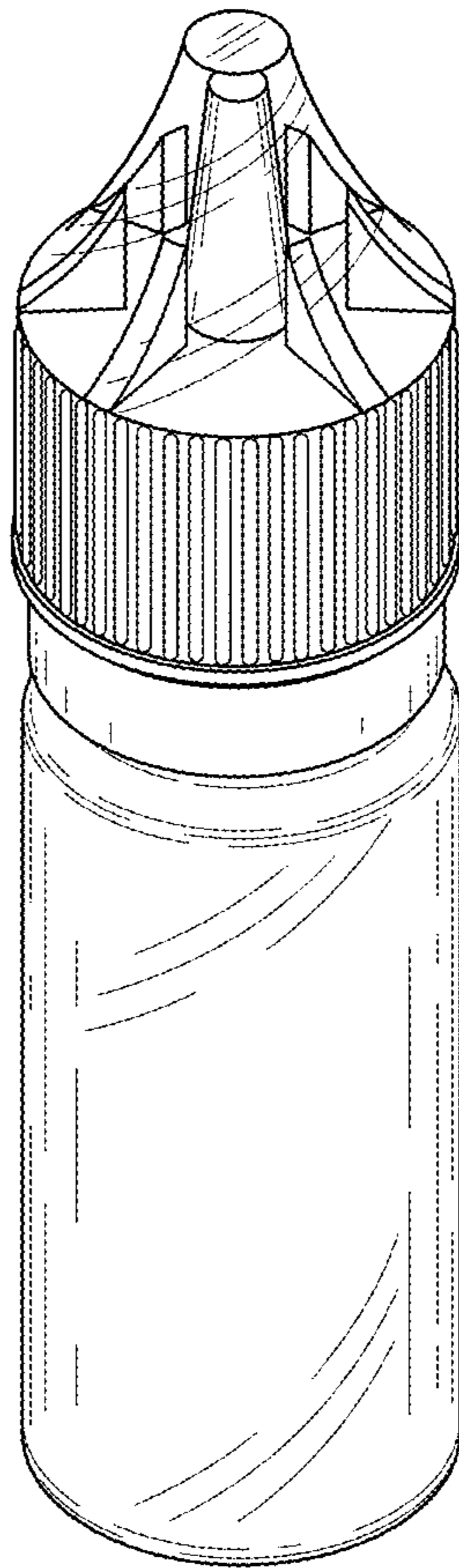


Fig. 2

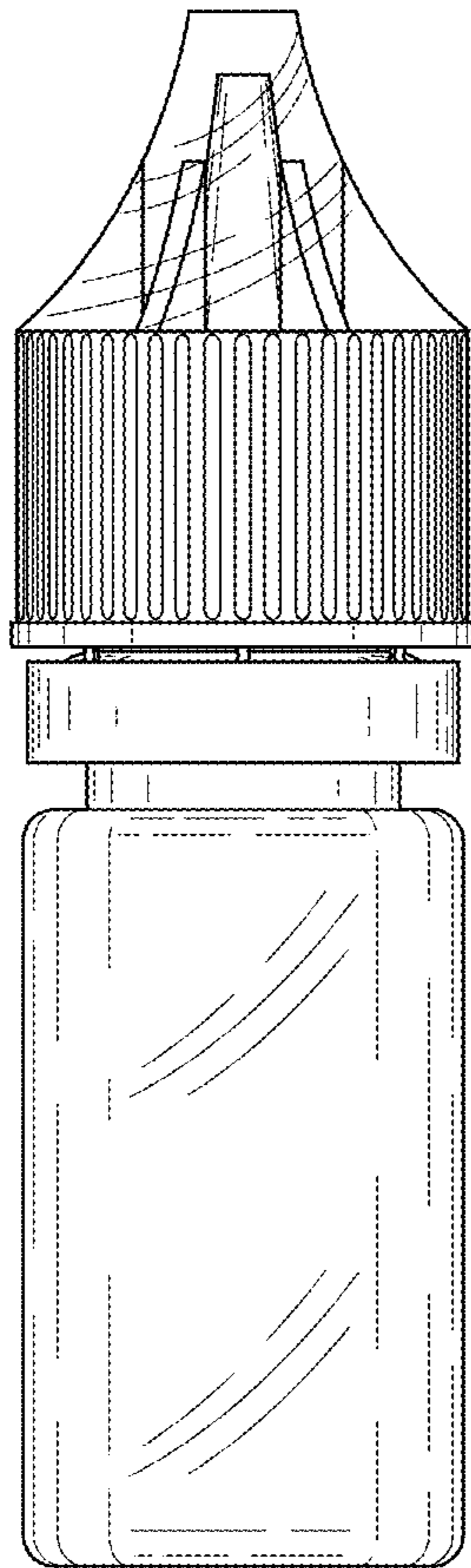


Fig. 3

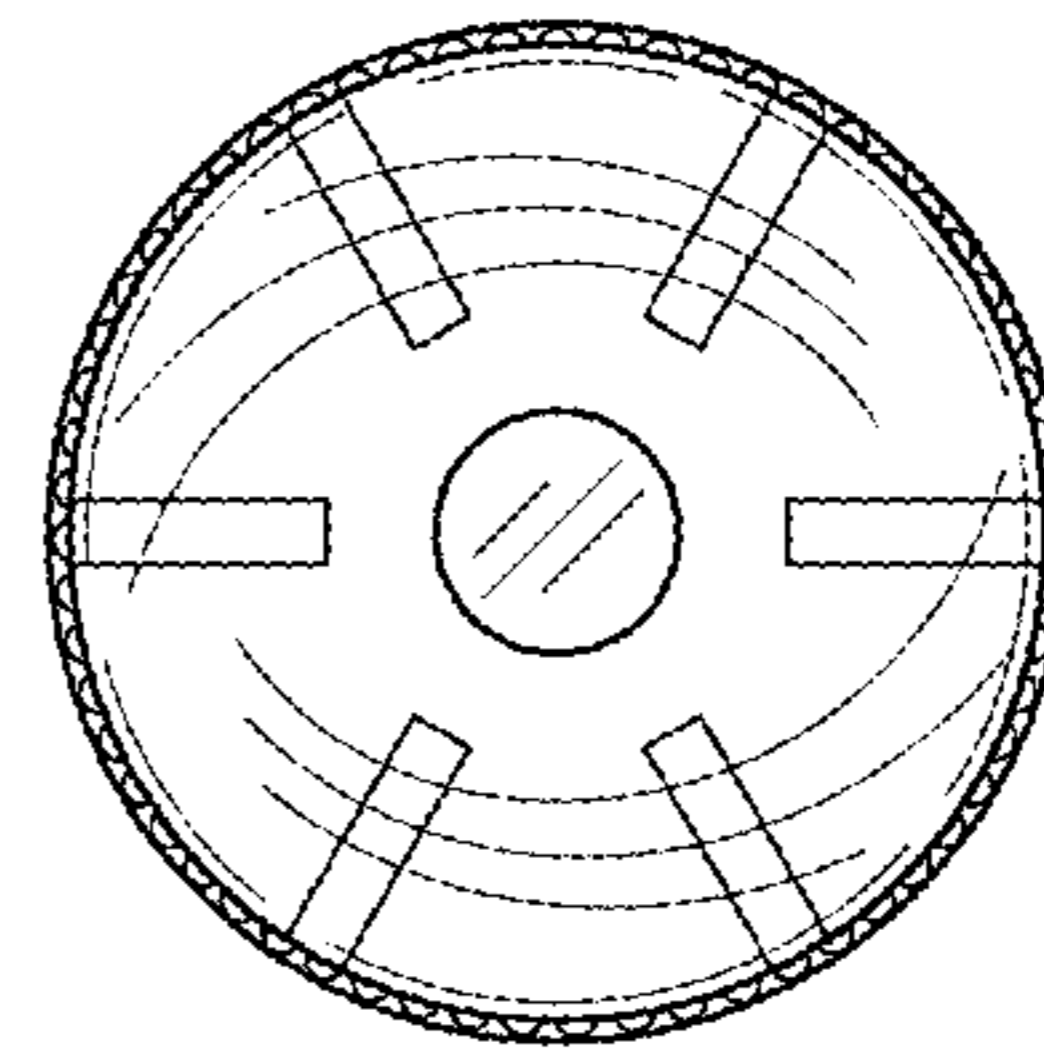


Fig. 4

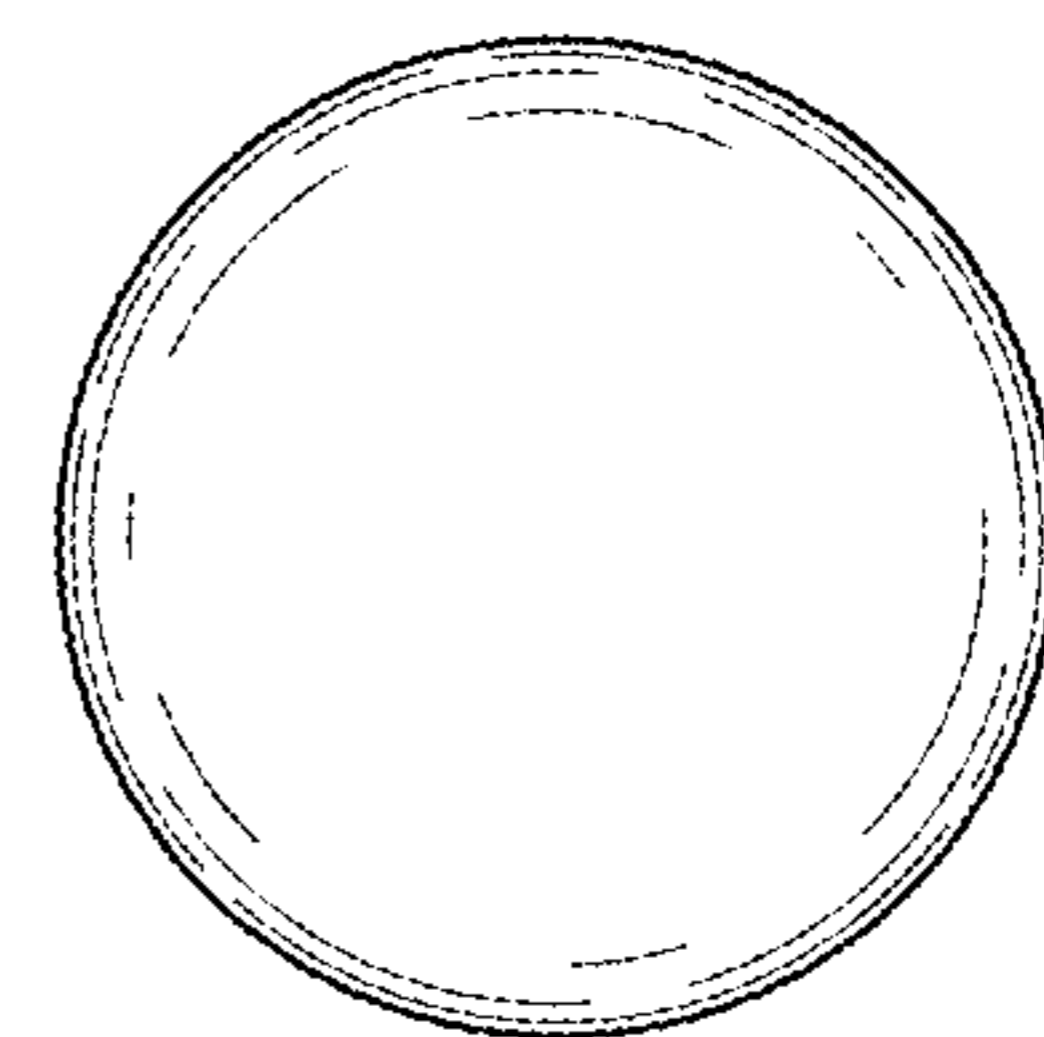


Fig. 5

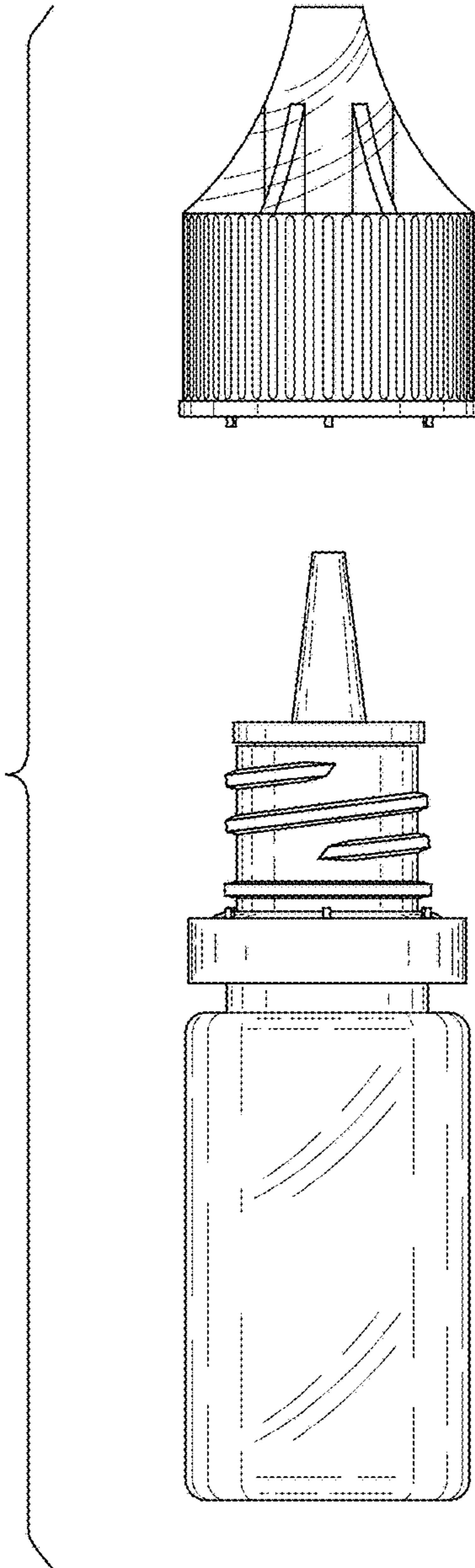


Fig. 6

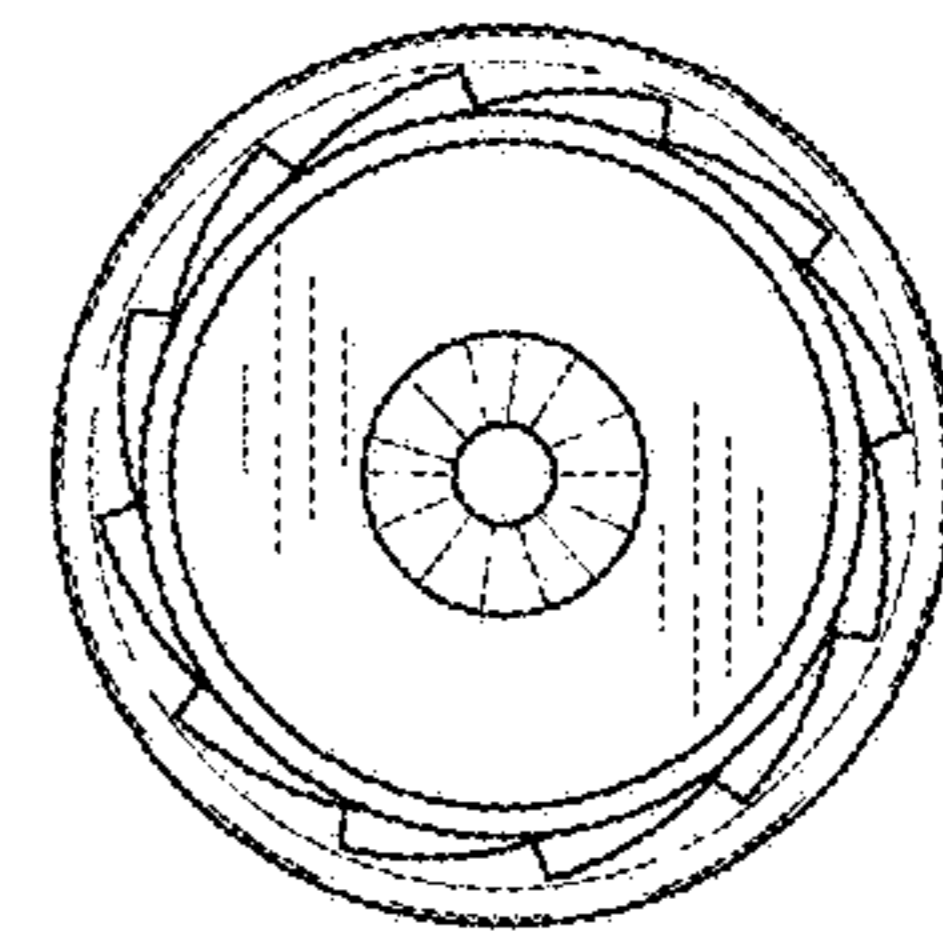


Fig. 7

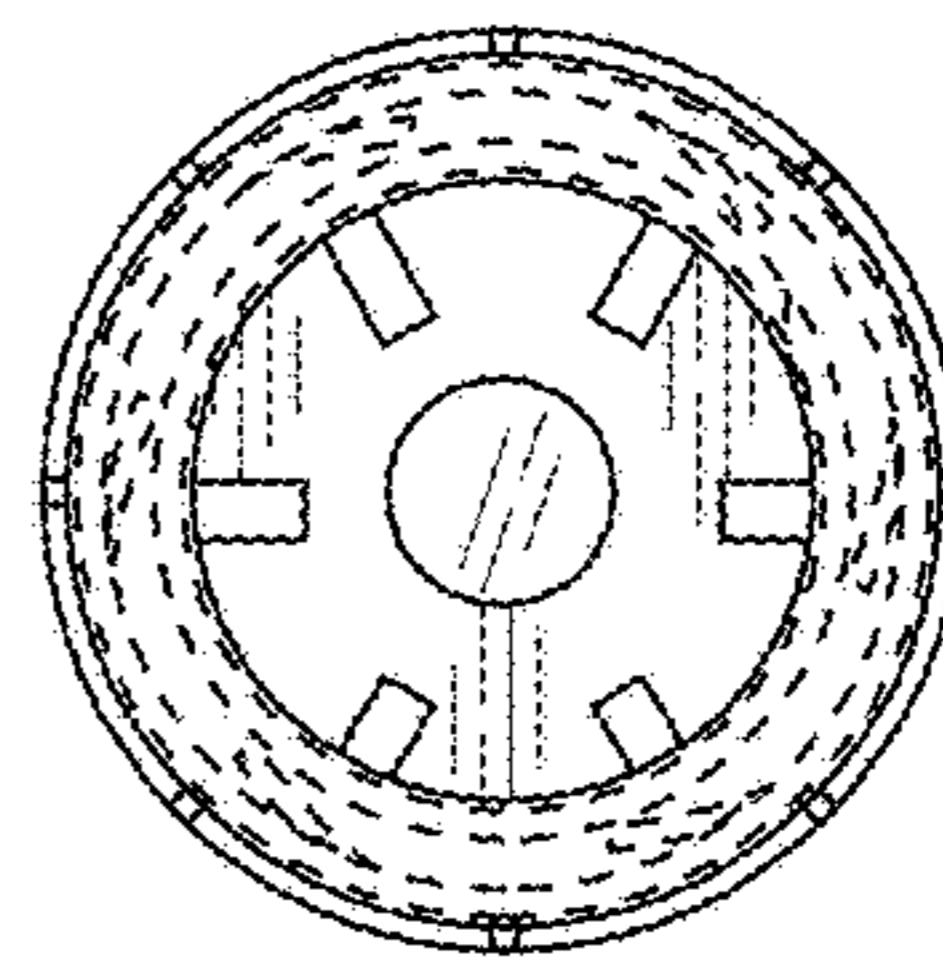


Fig. 8

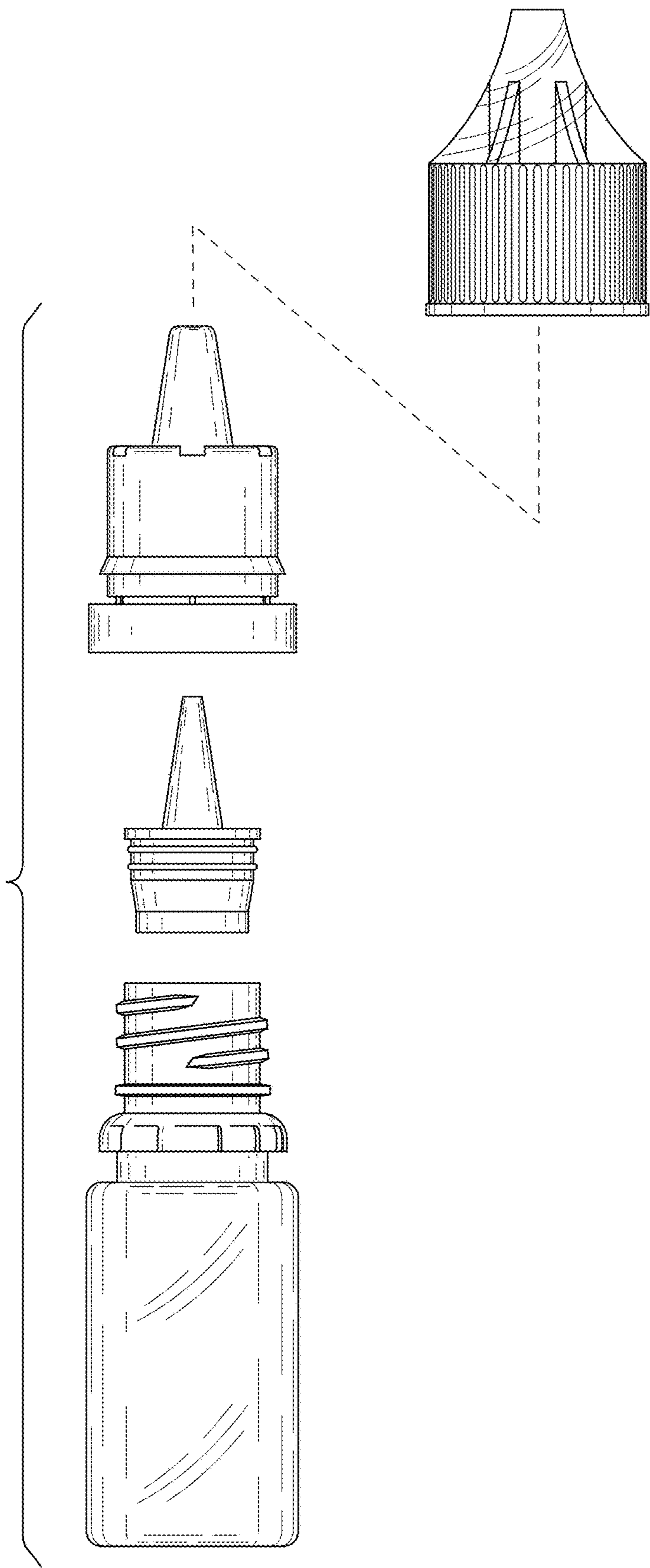


Fig. 9

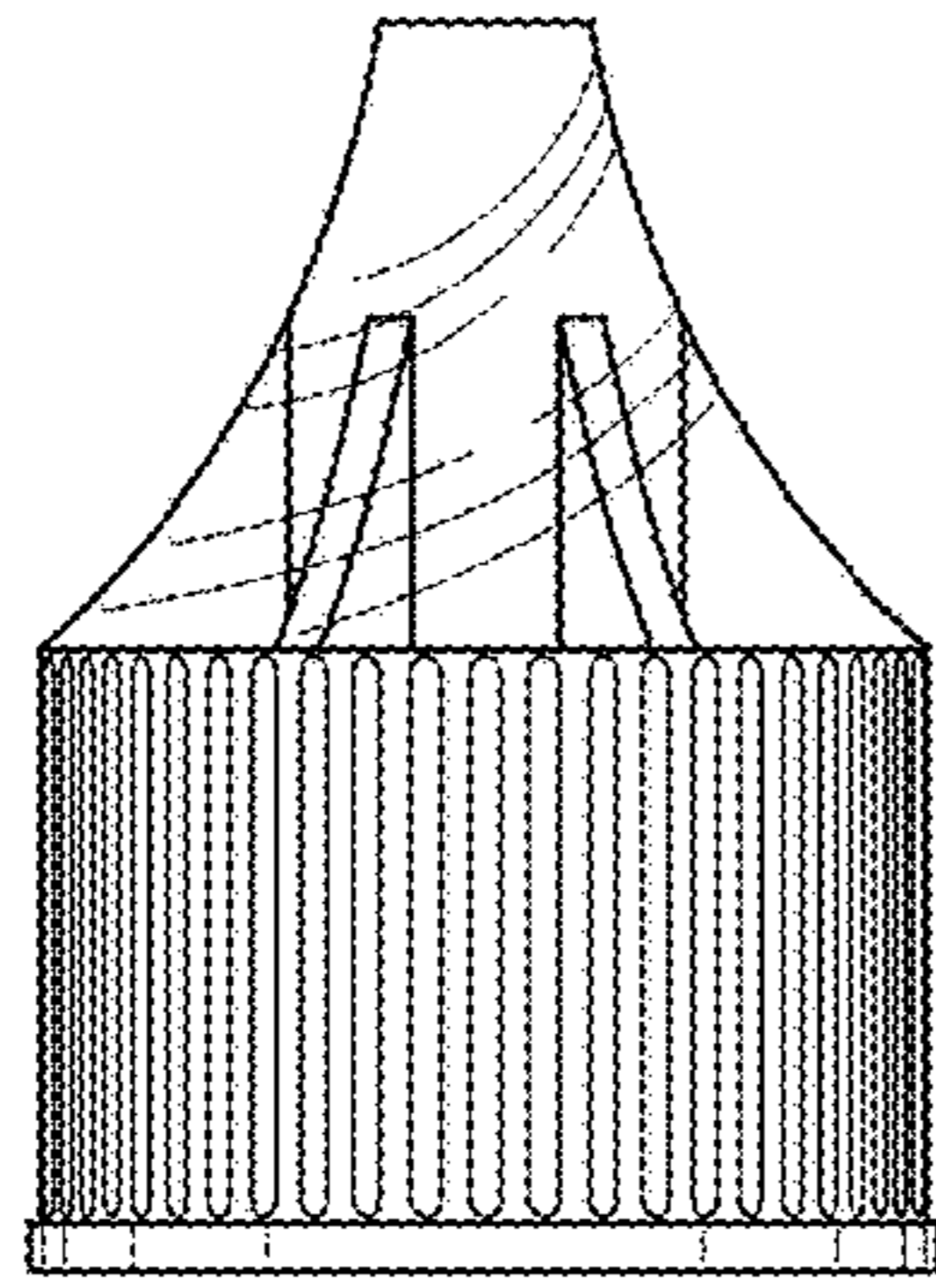


Fig. 10

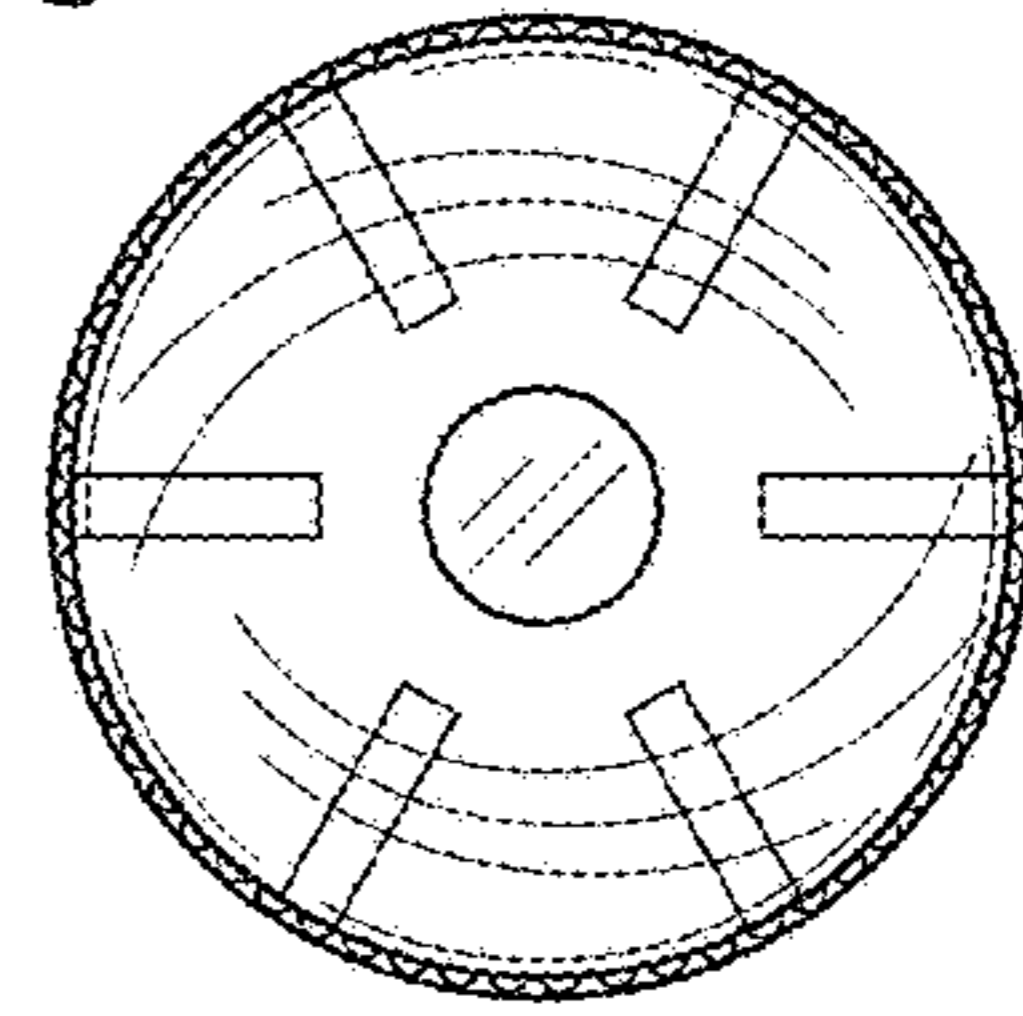


Fig. 11

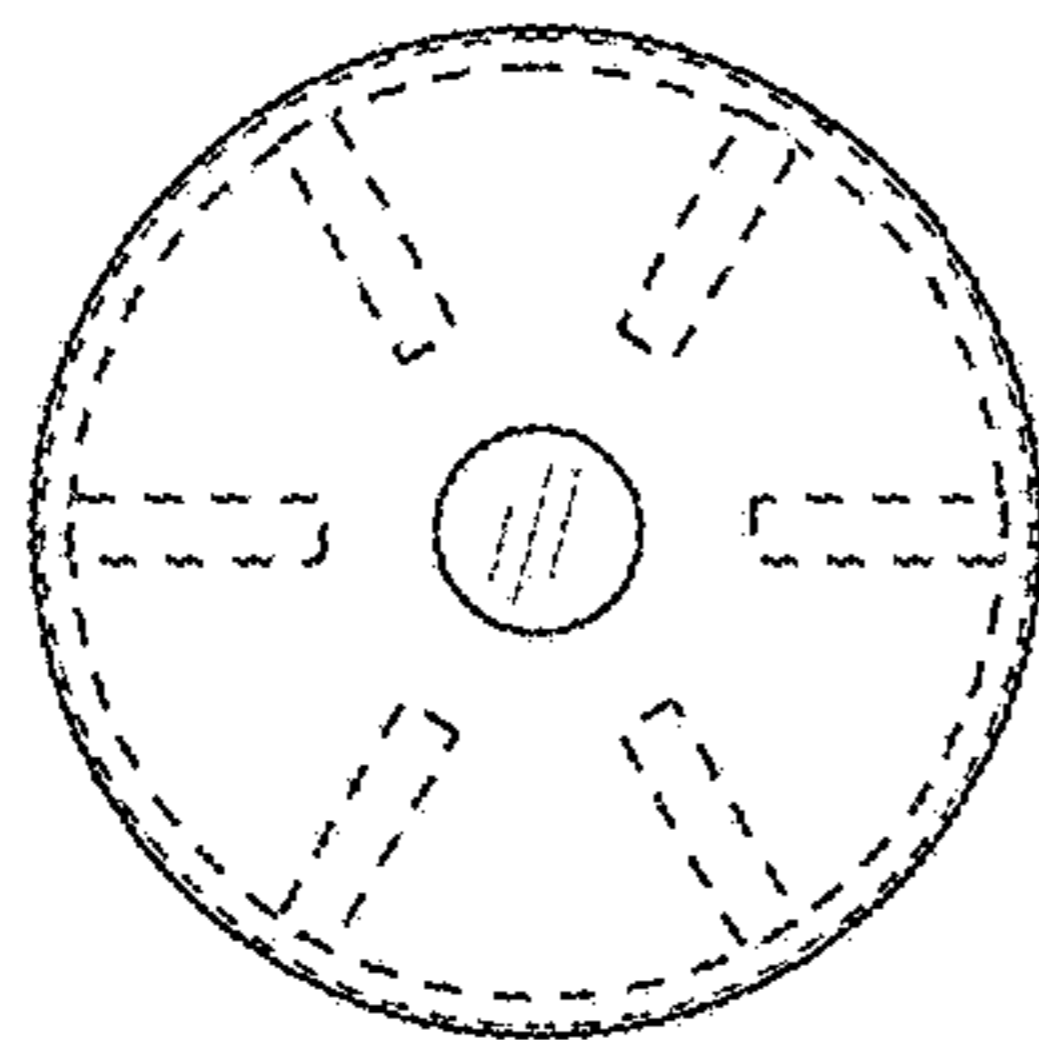


Fig. 12

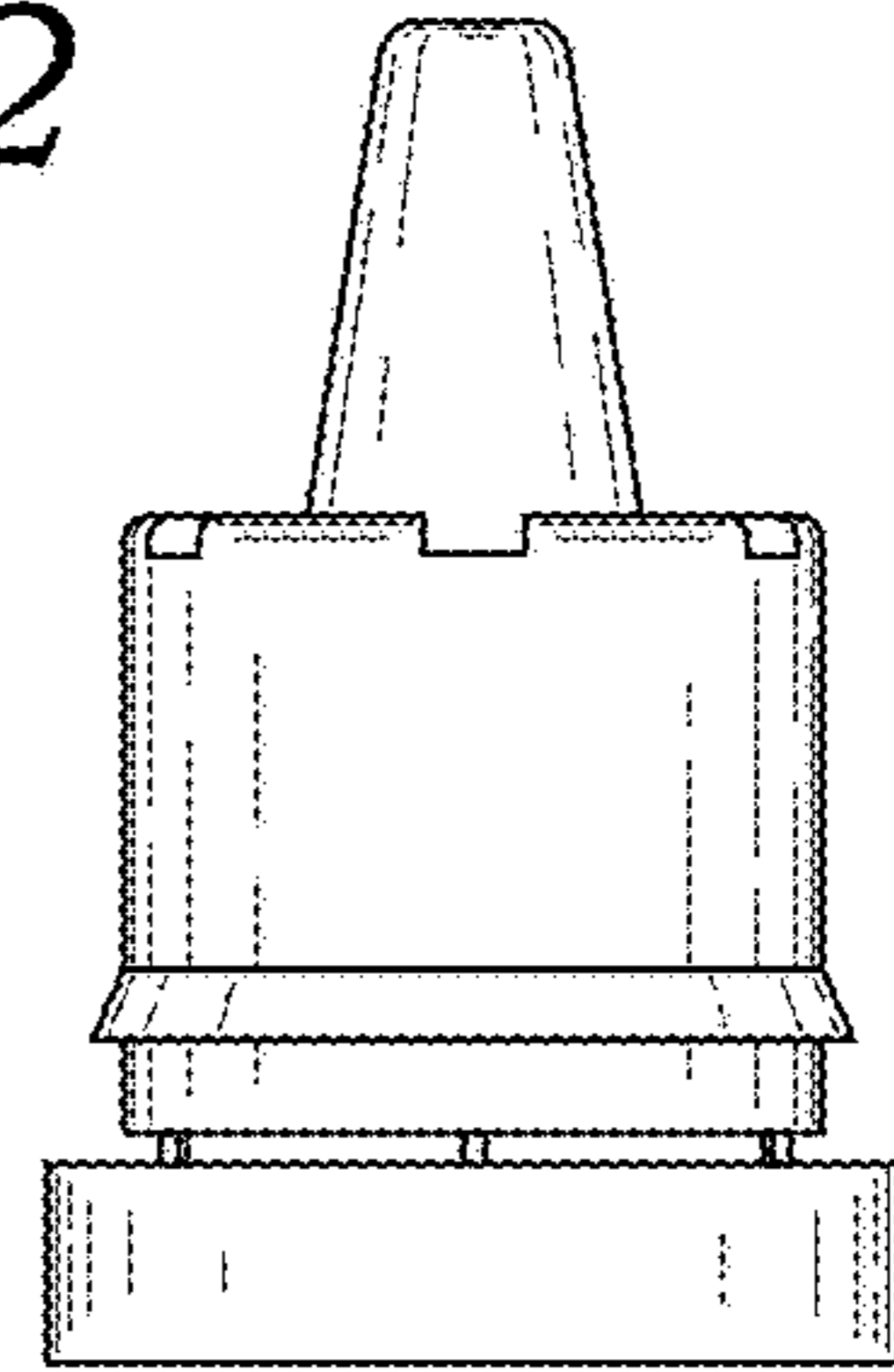


Fig. 13

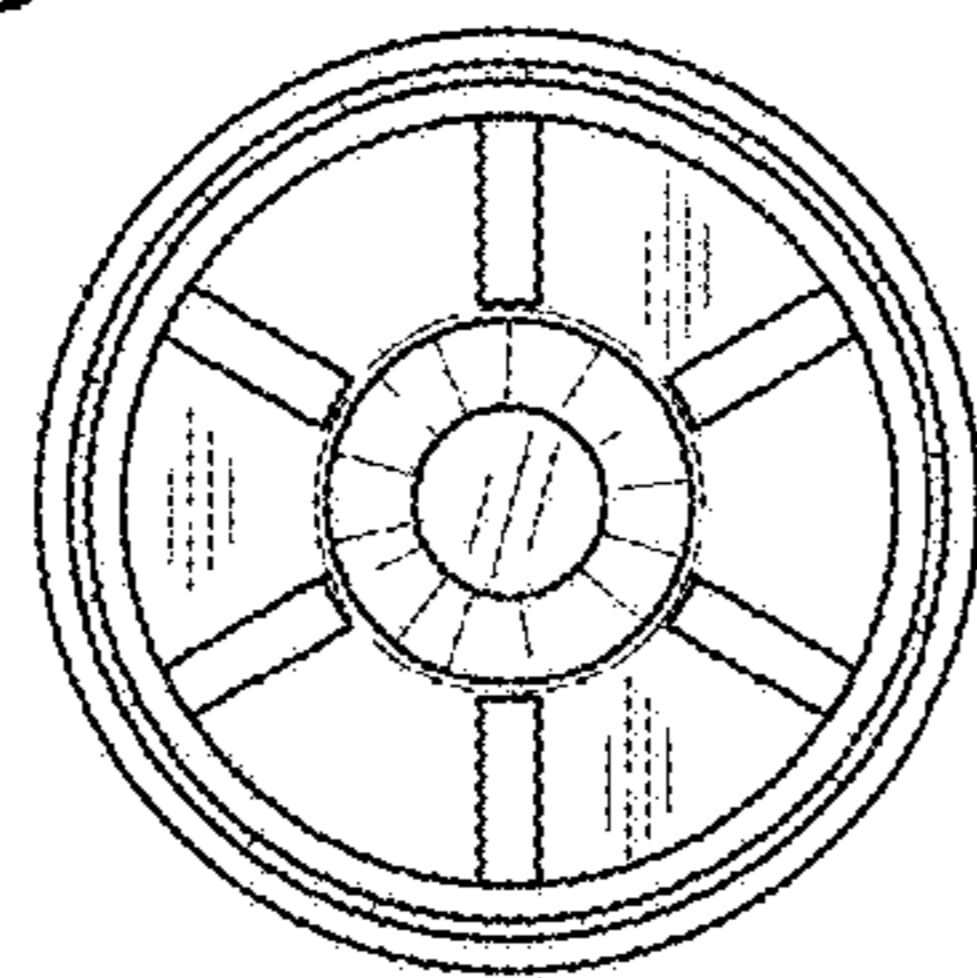


Fig. 14

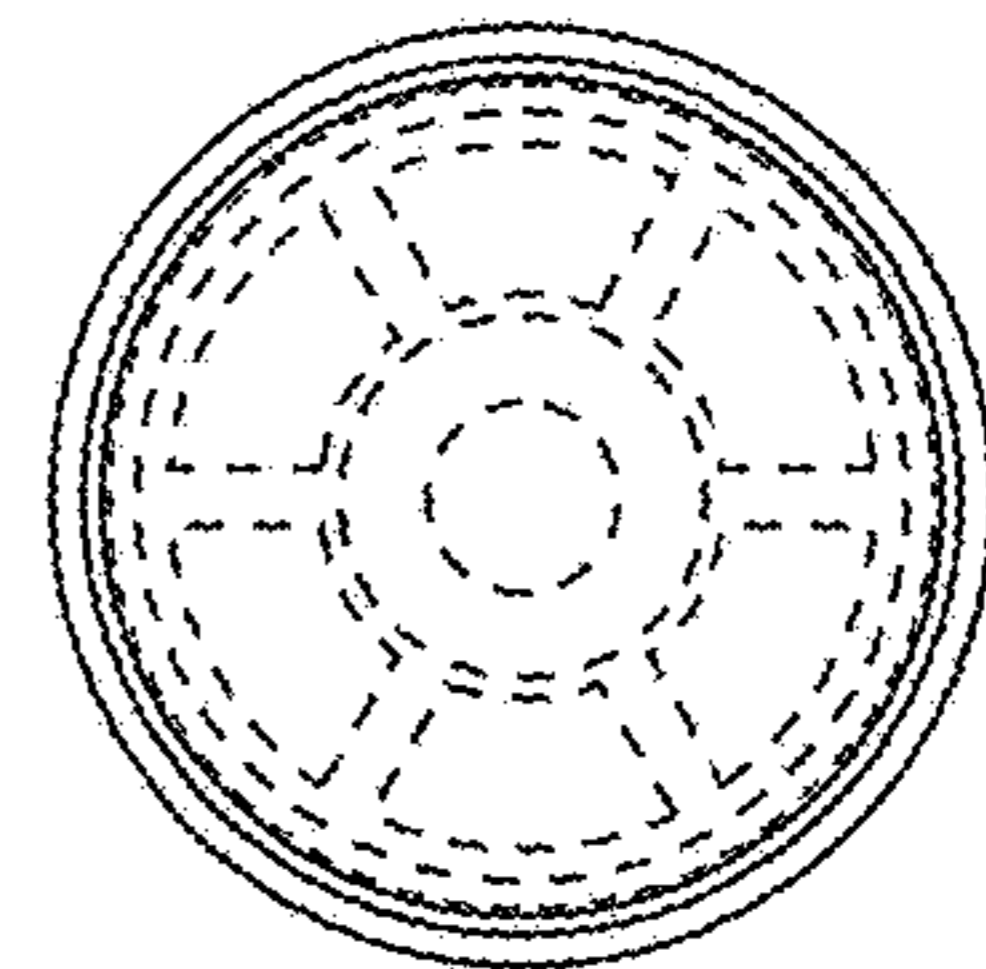


Fig. 15

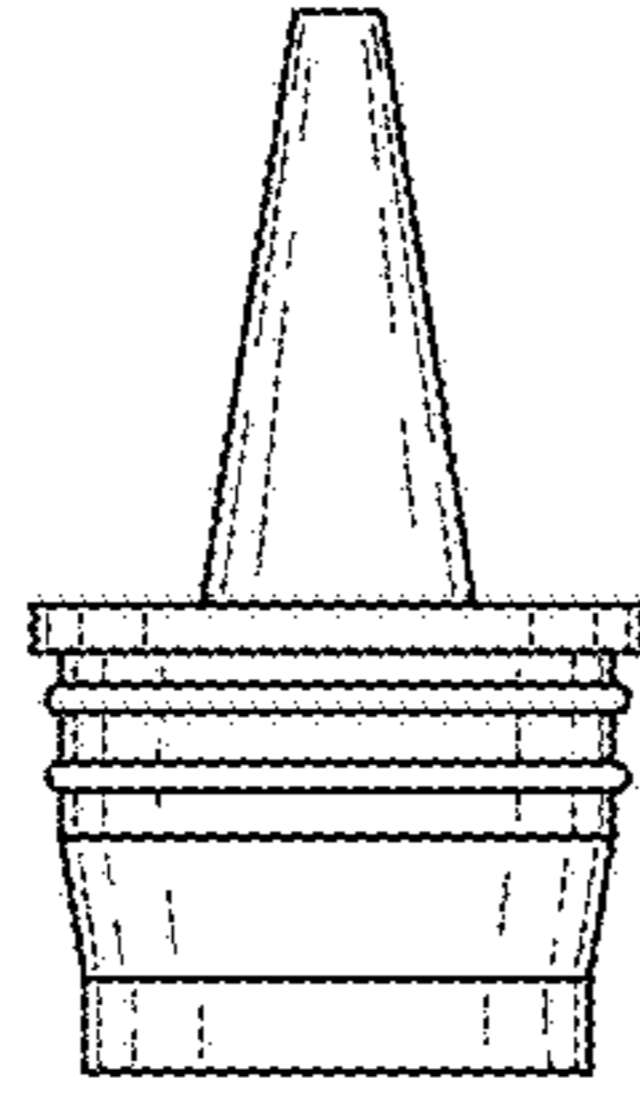


Fig. 16

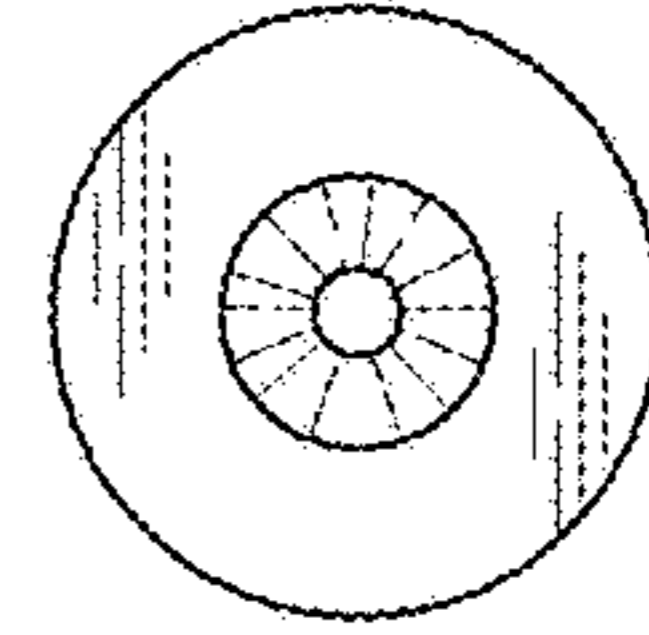


Fig. 17

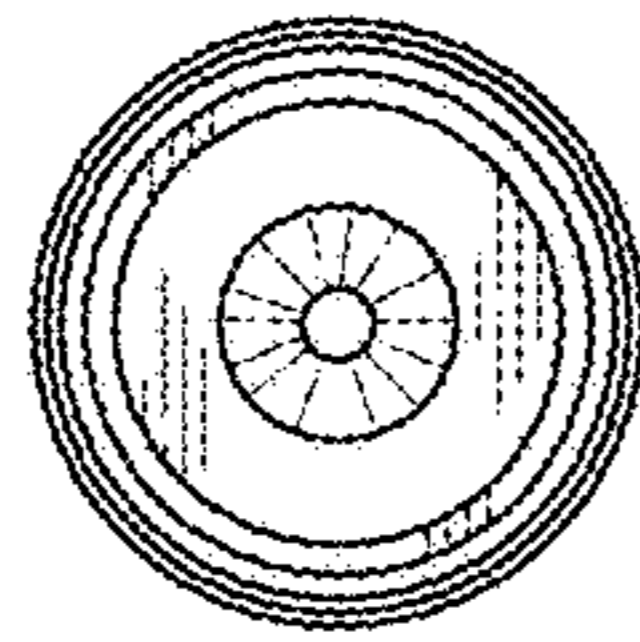


Fig. 18

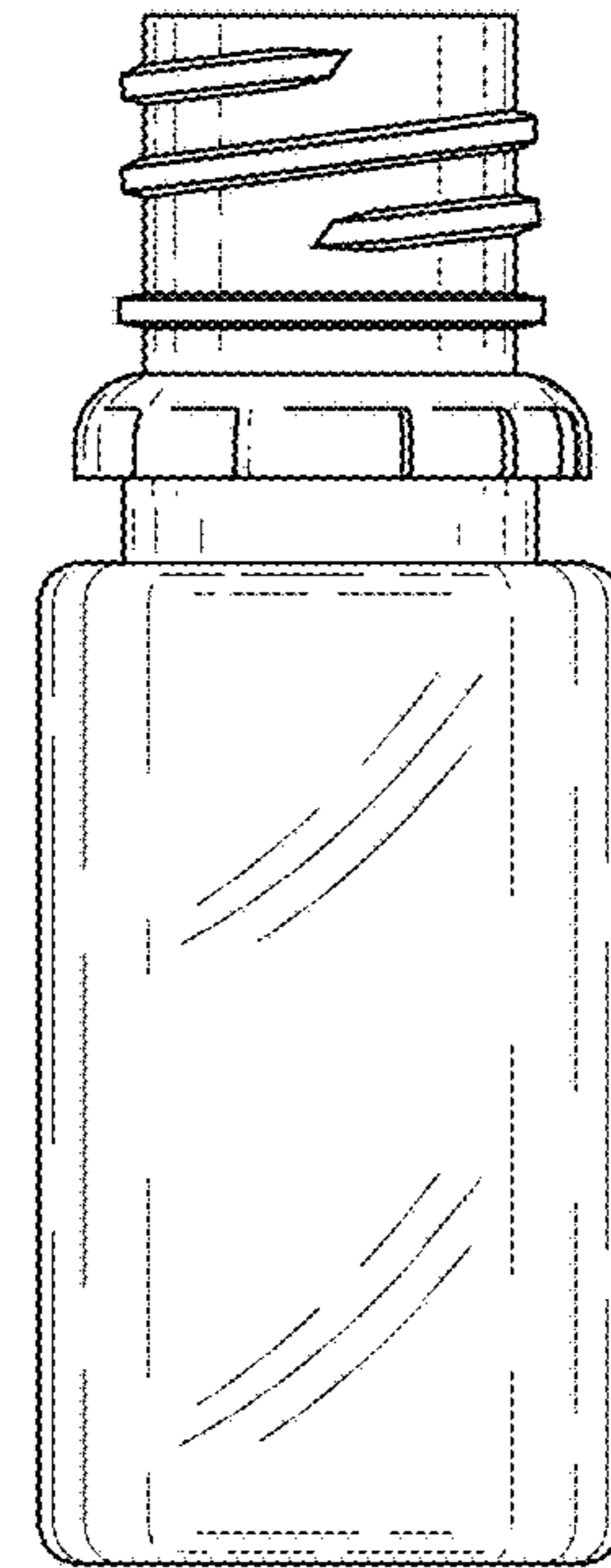


Fig. 19

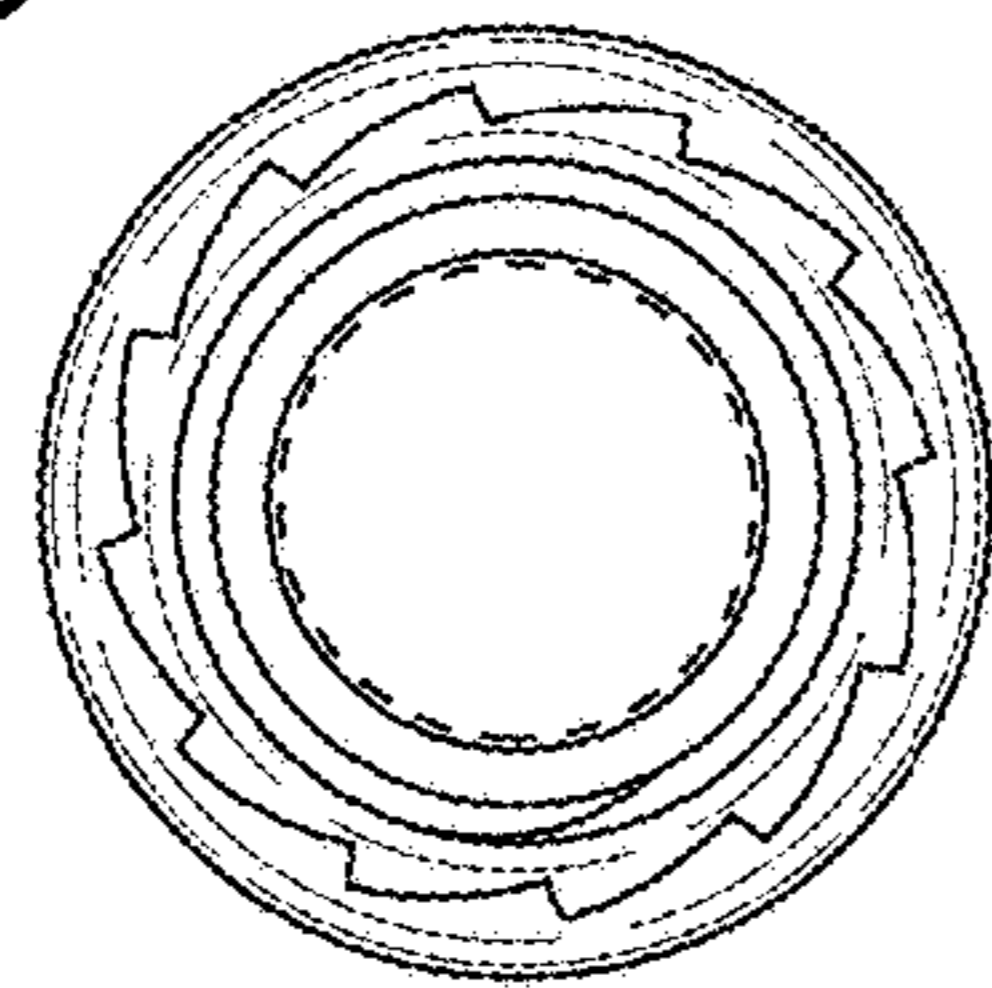


Fig. 20

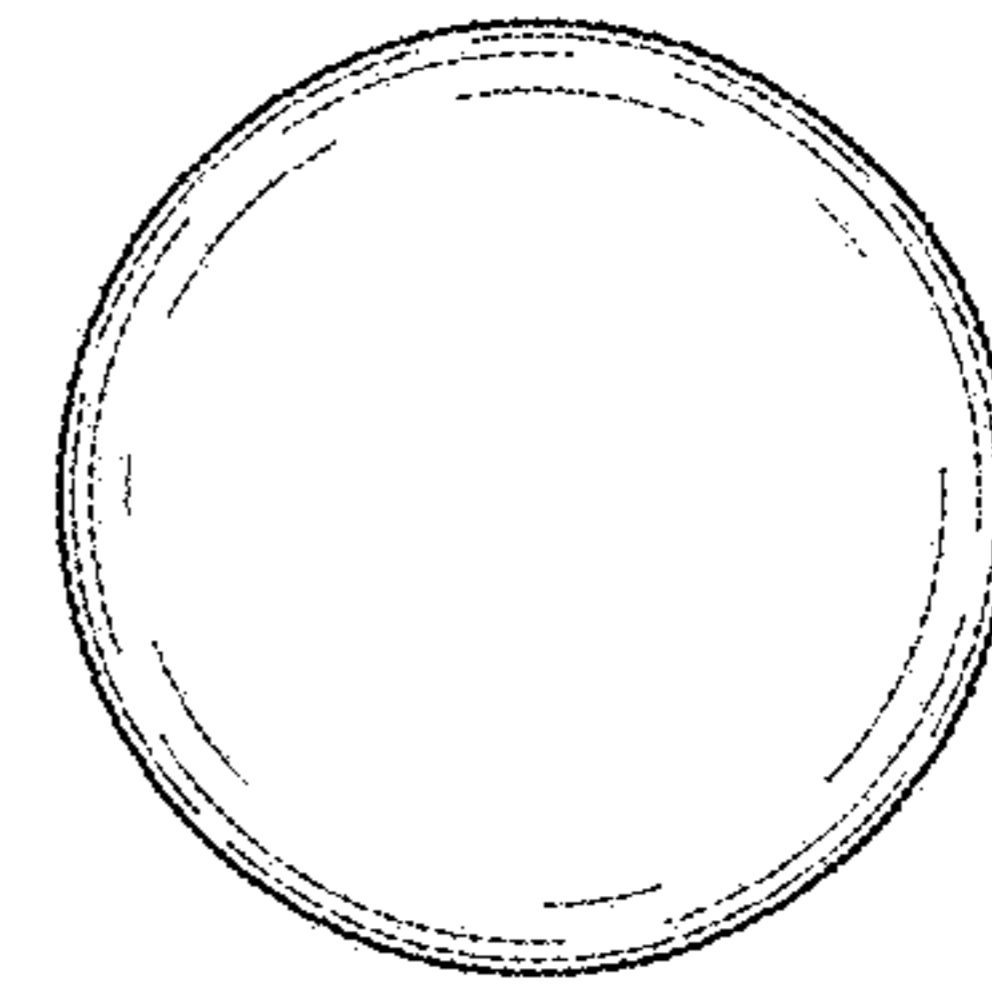


Fig. 21

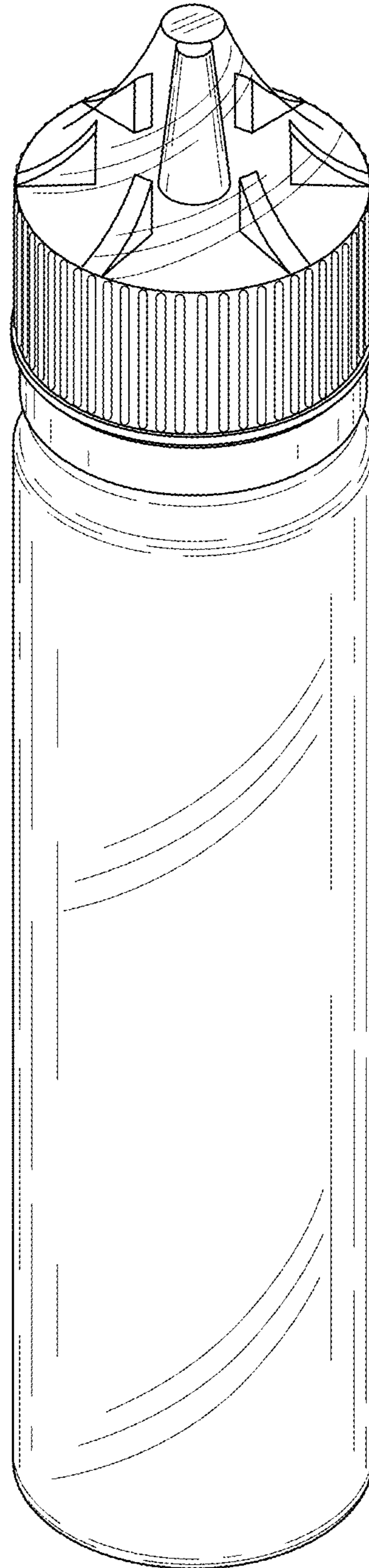


Fig. 22

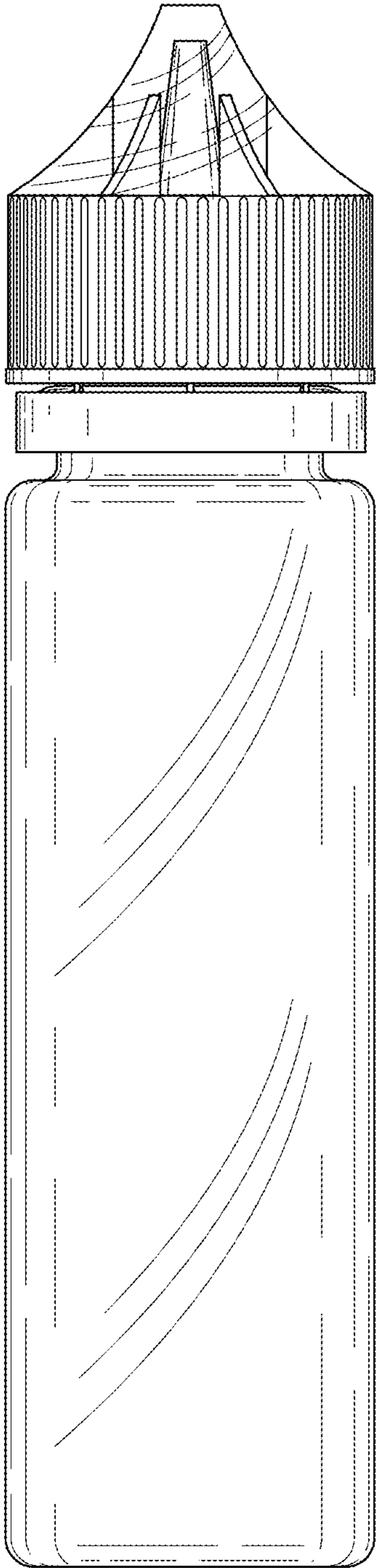


Fig. 23

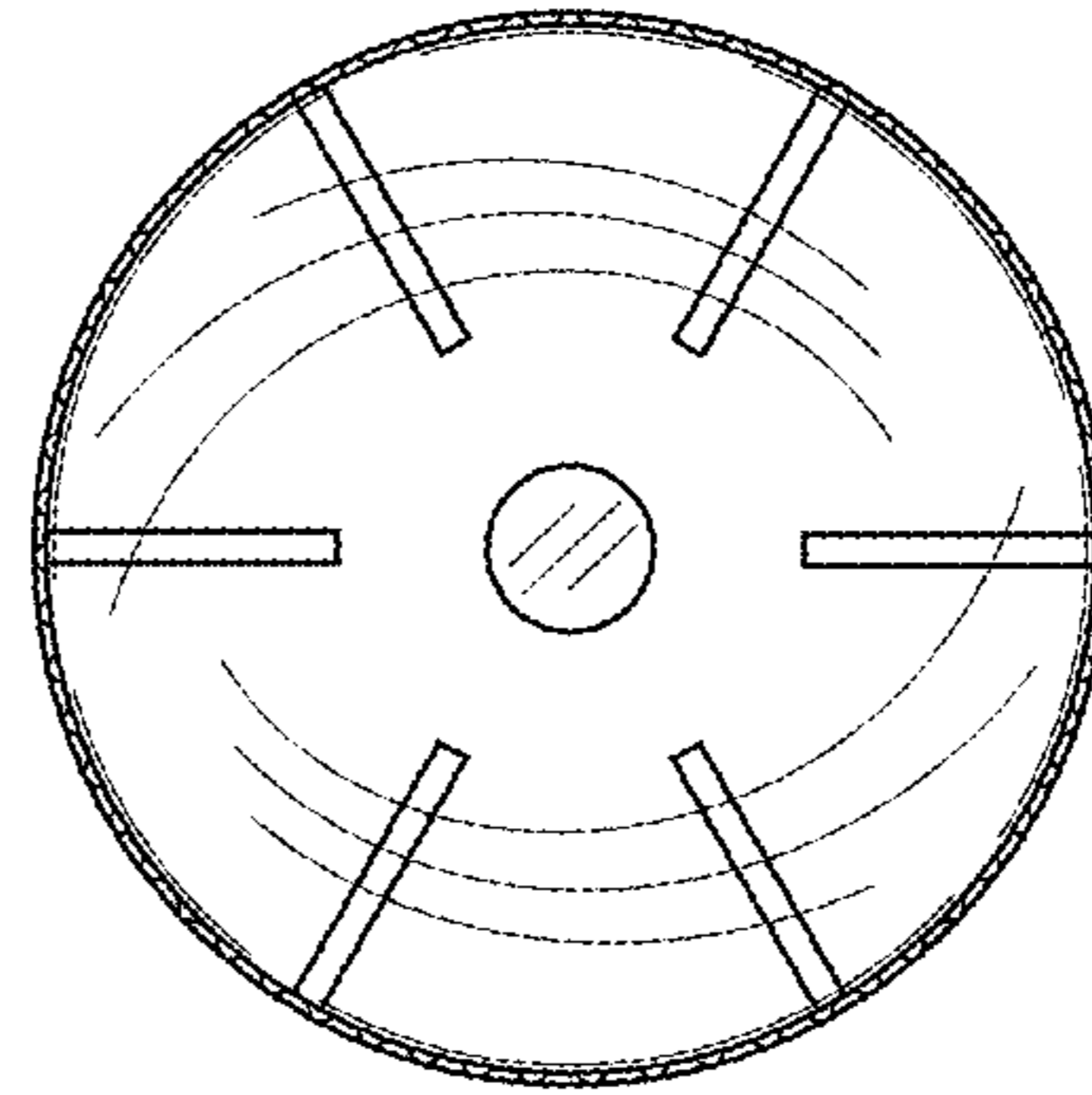


Fig. 24

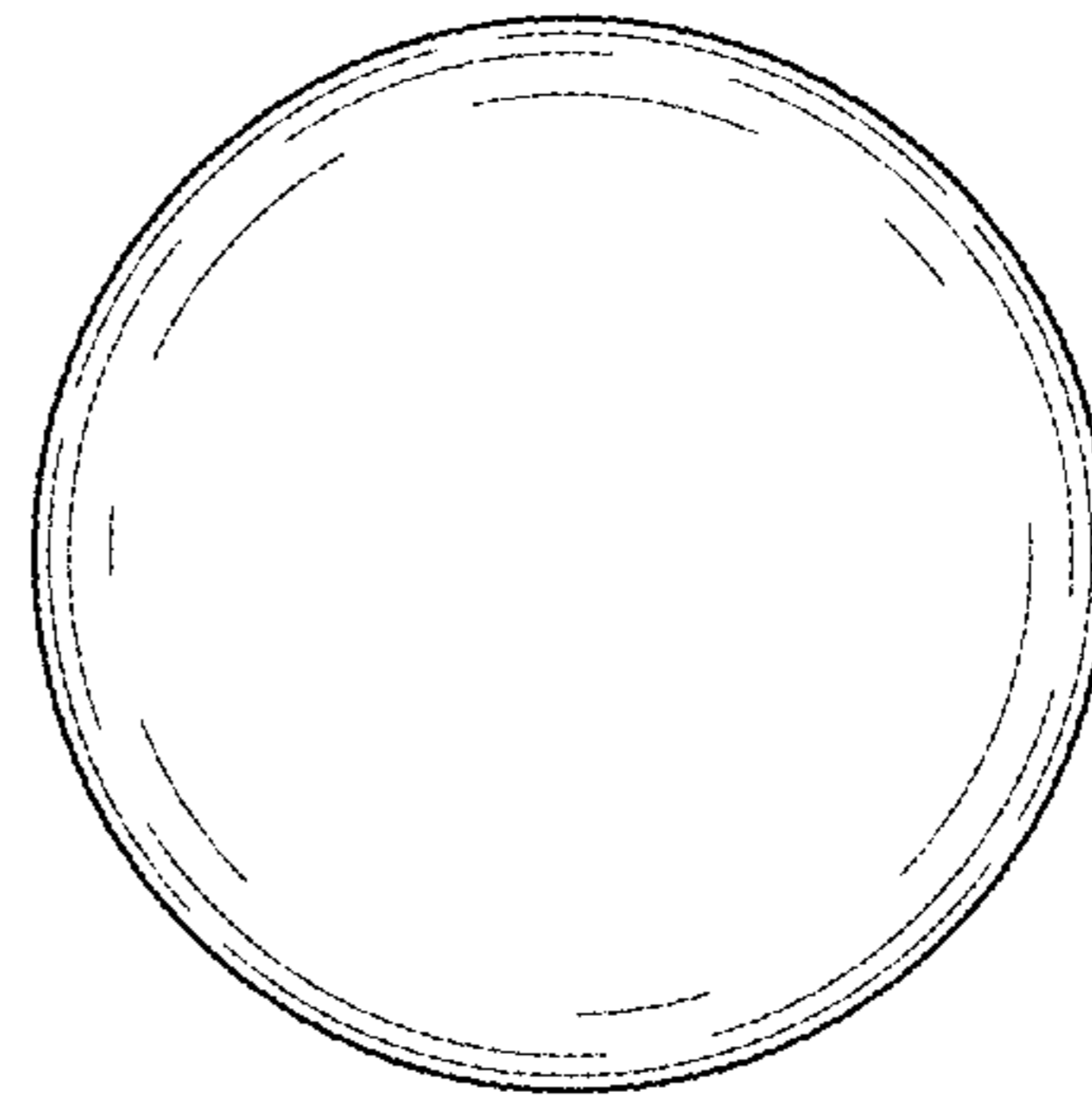


Fig. 25

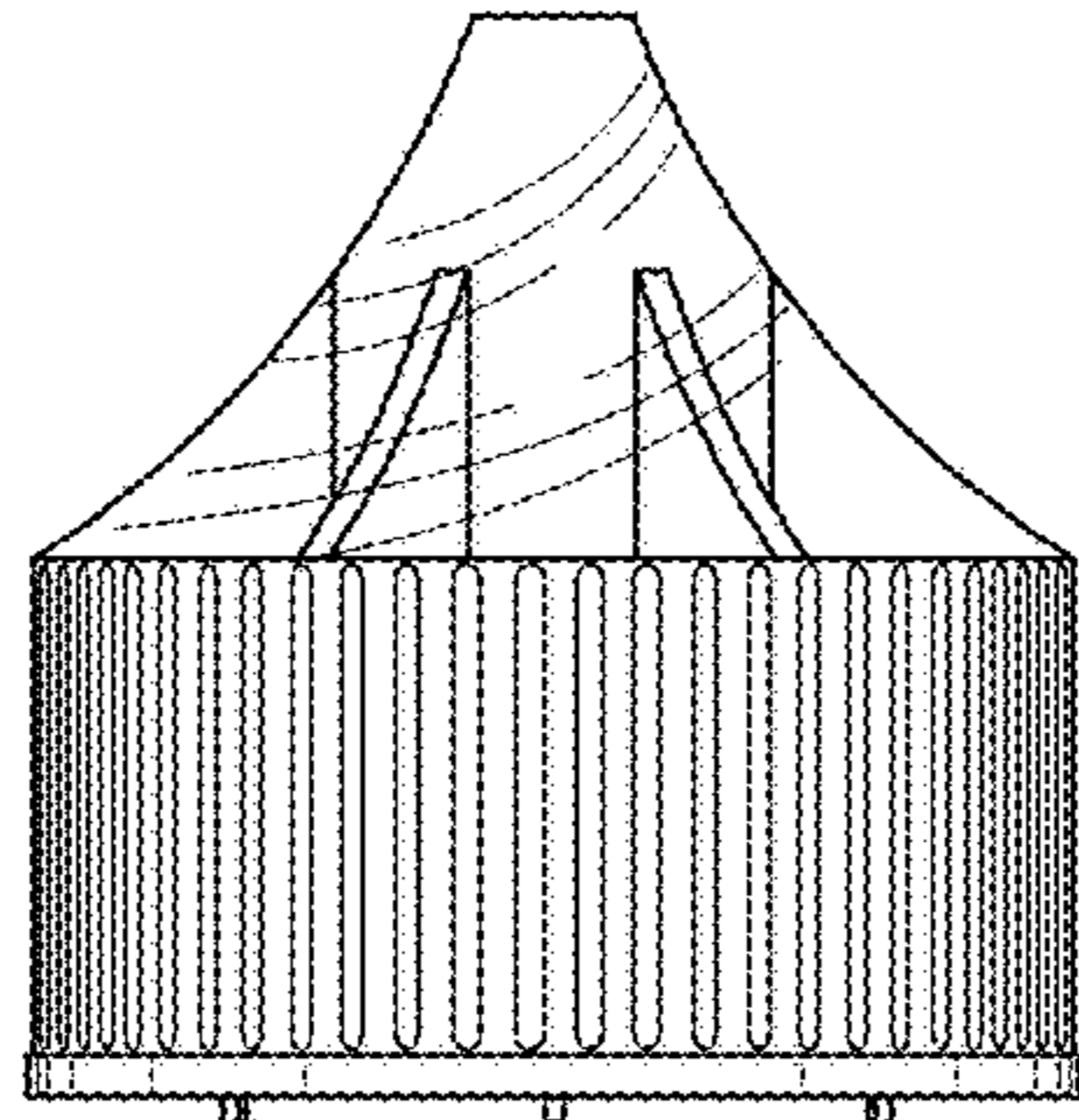


Fig. 26

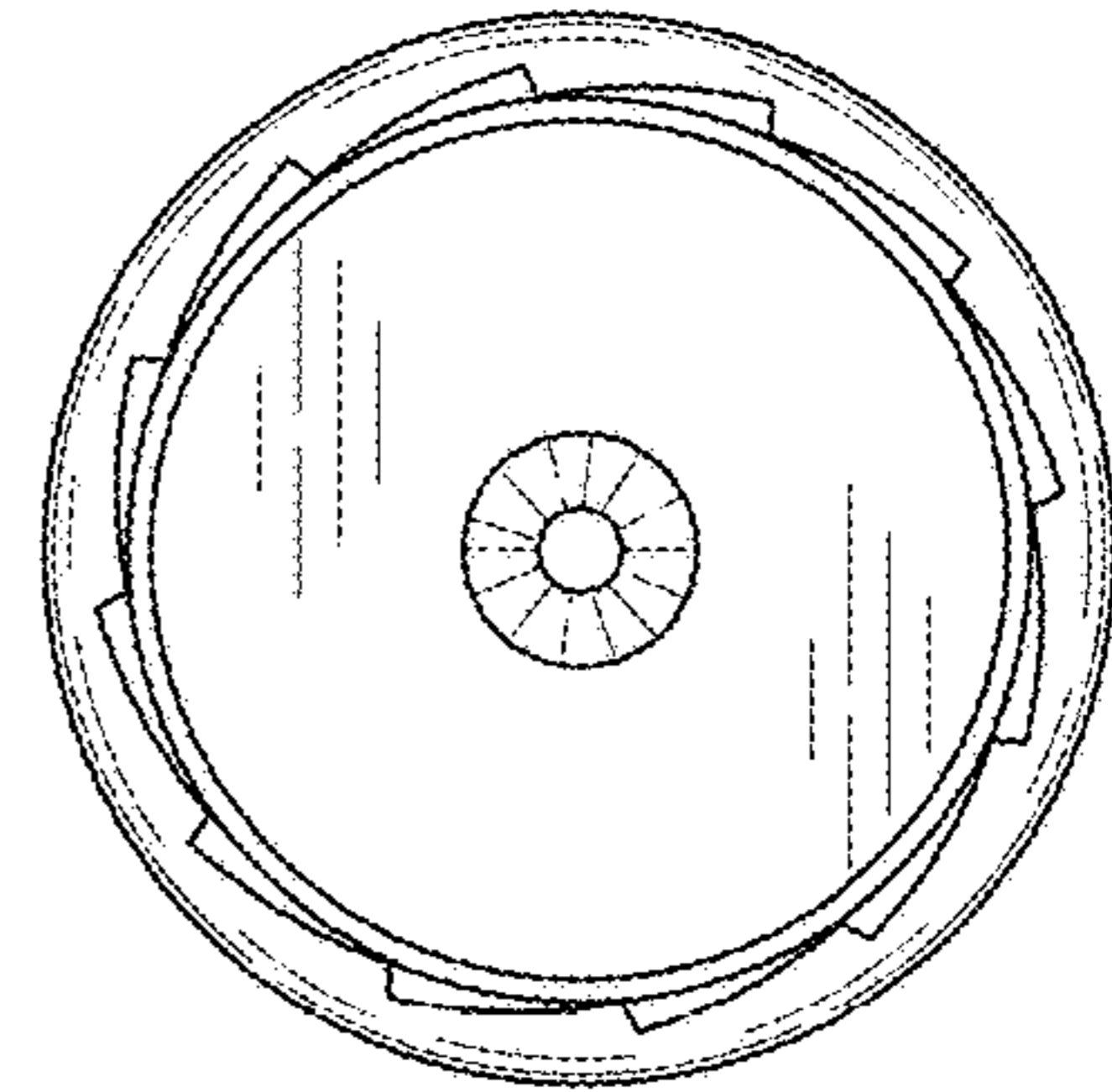


Fig. 27

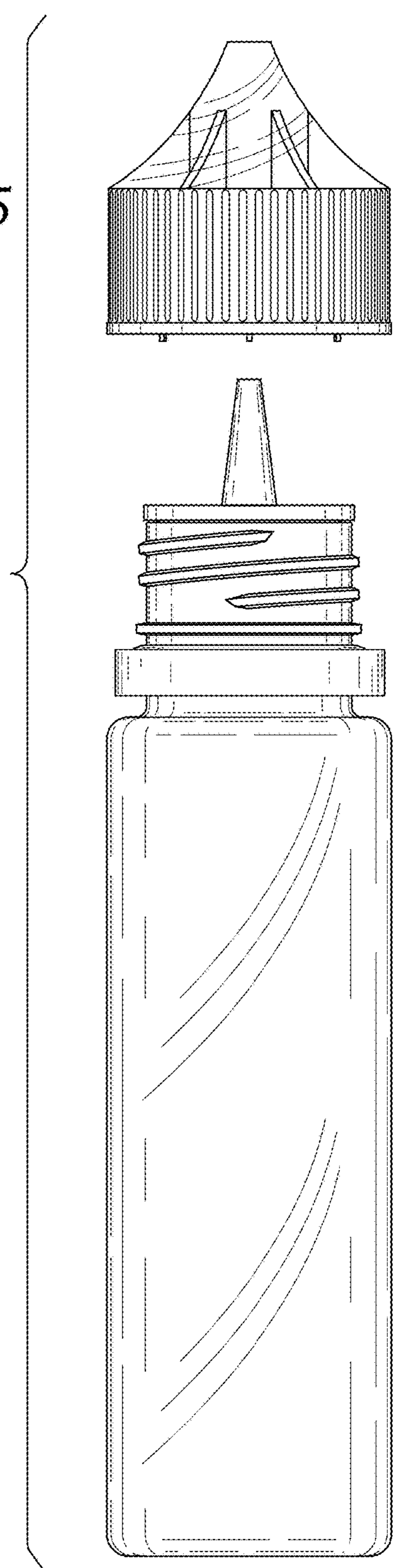
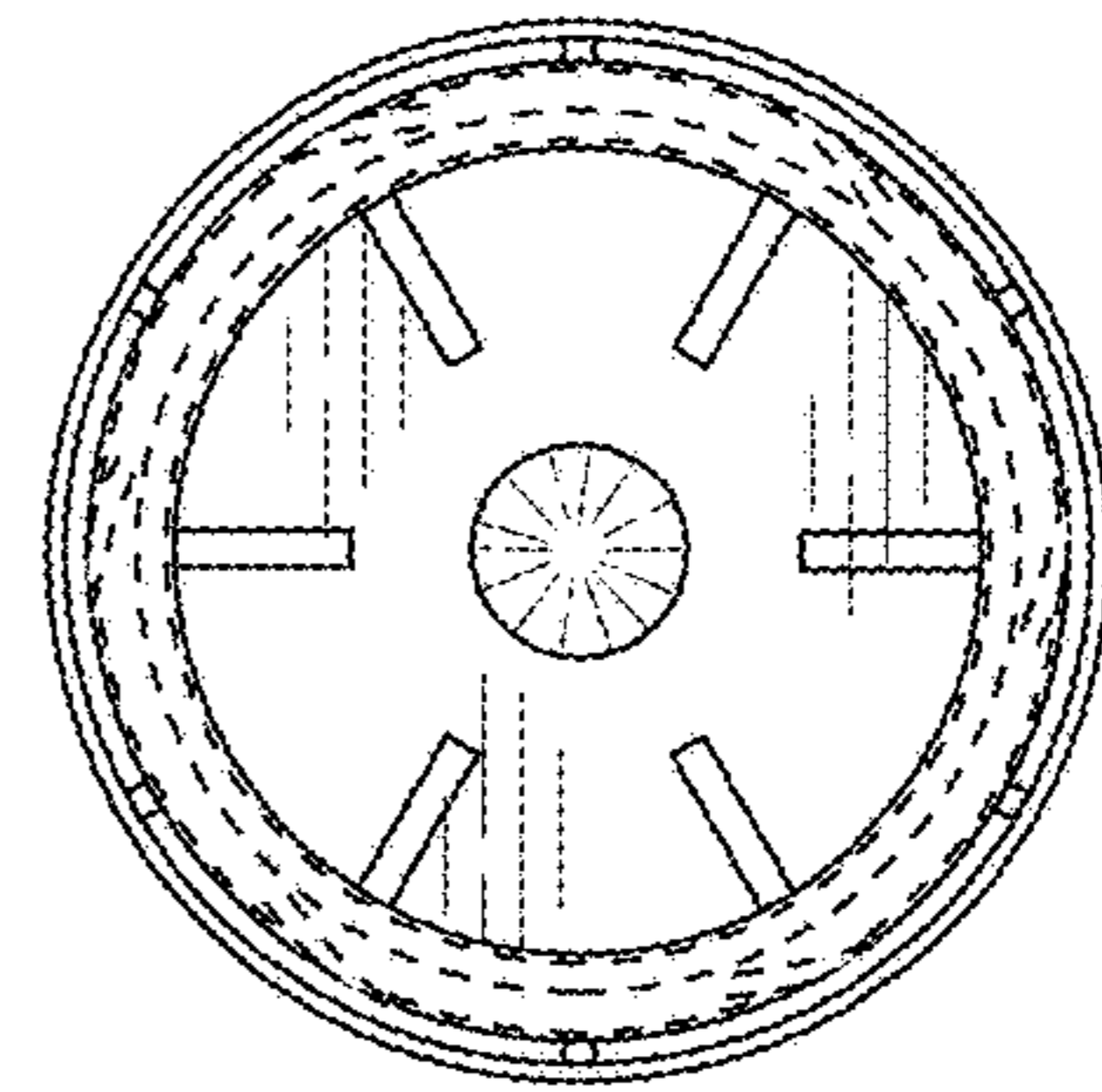


Fig. 28

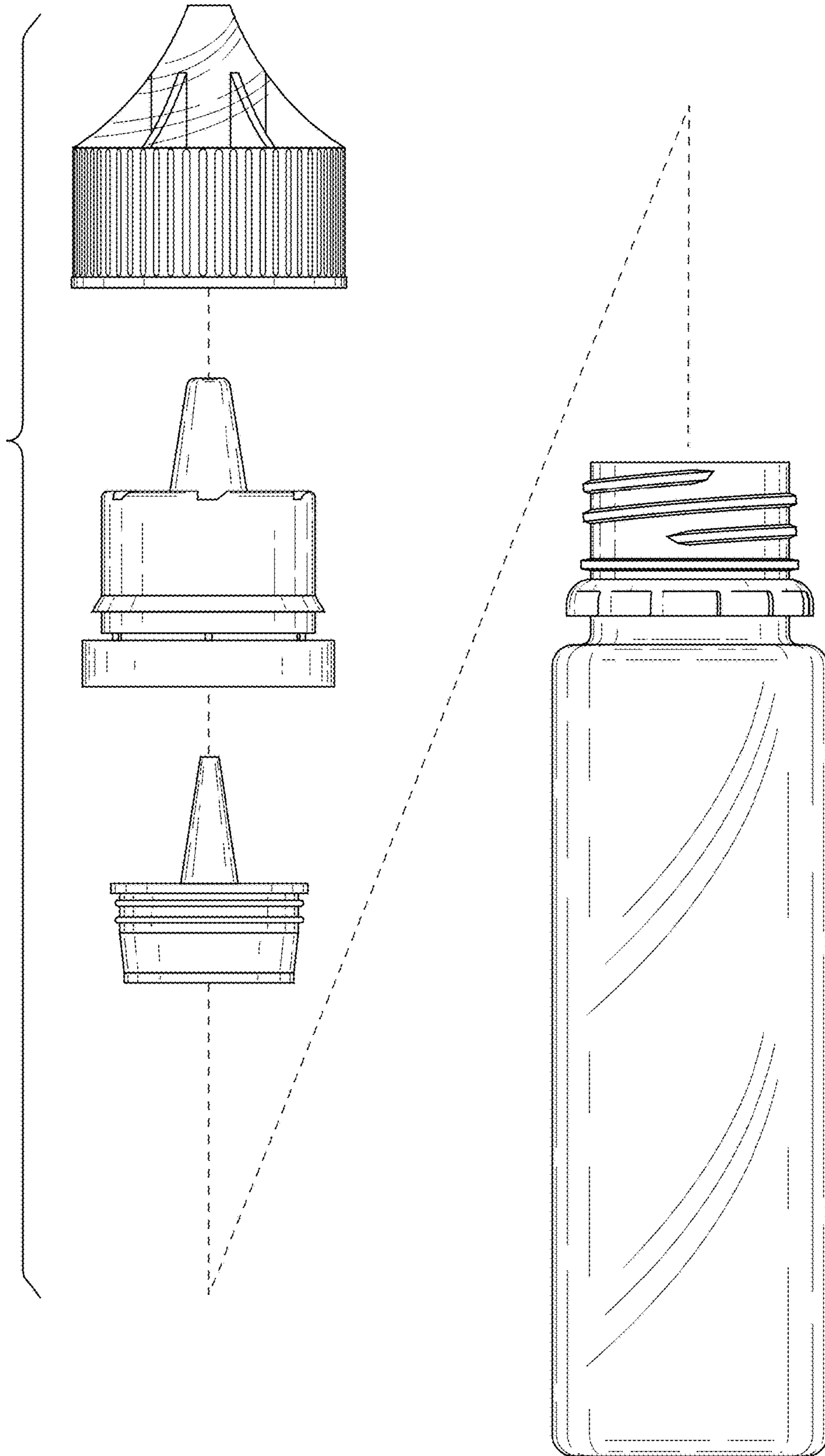


Fig. 29

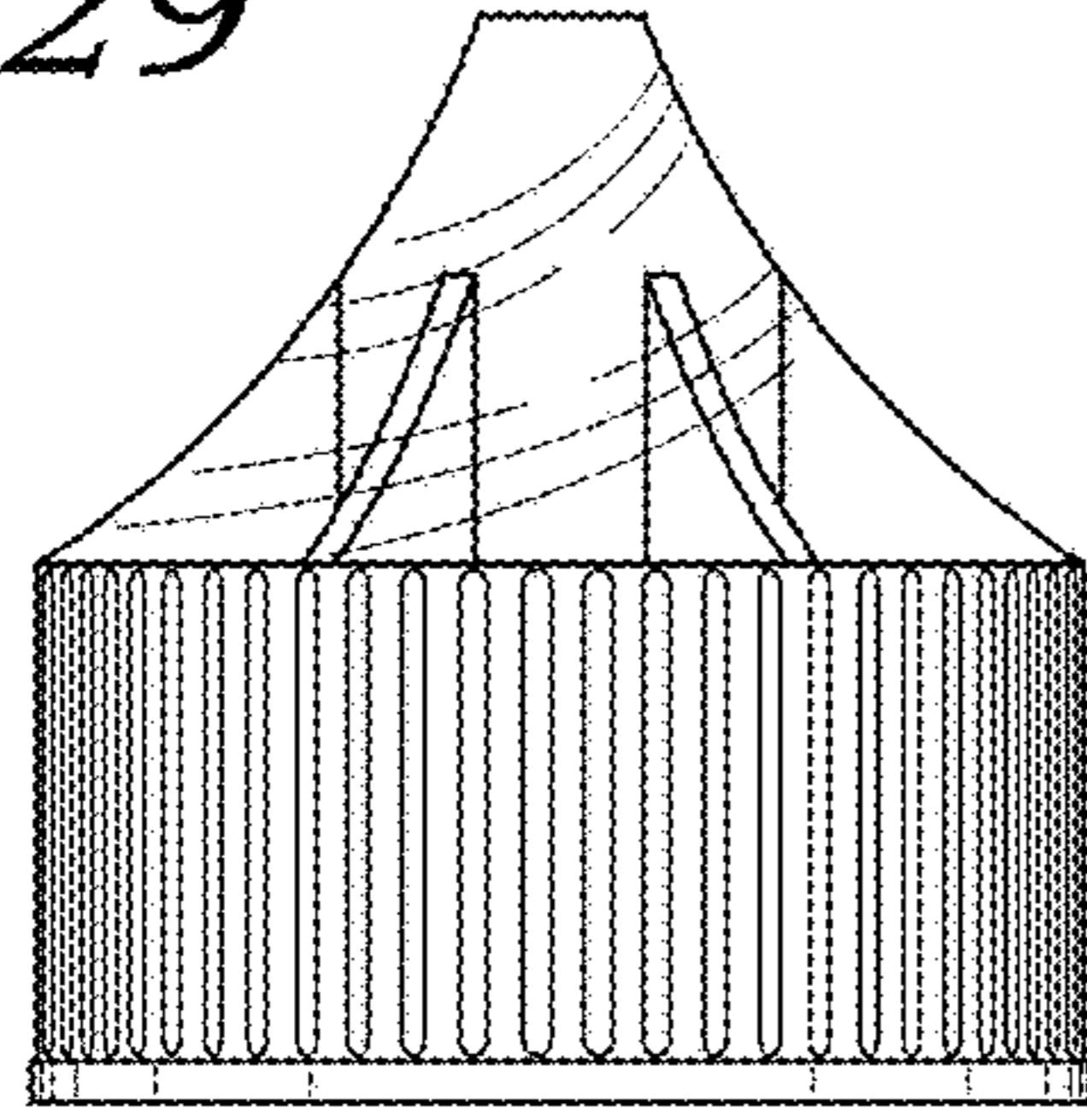


Fig. 30

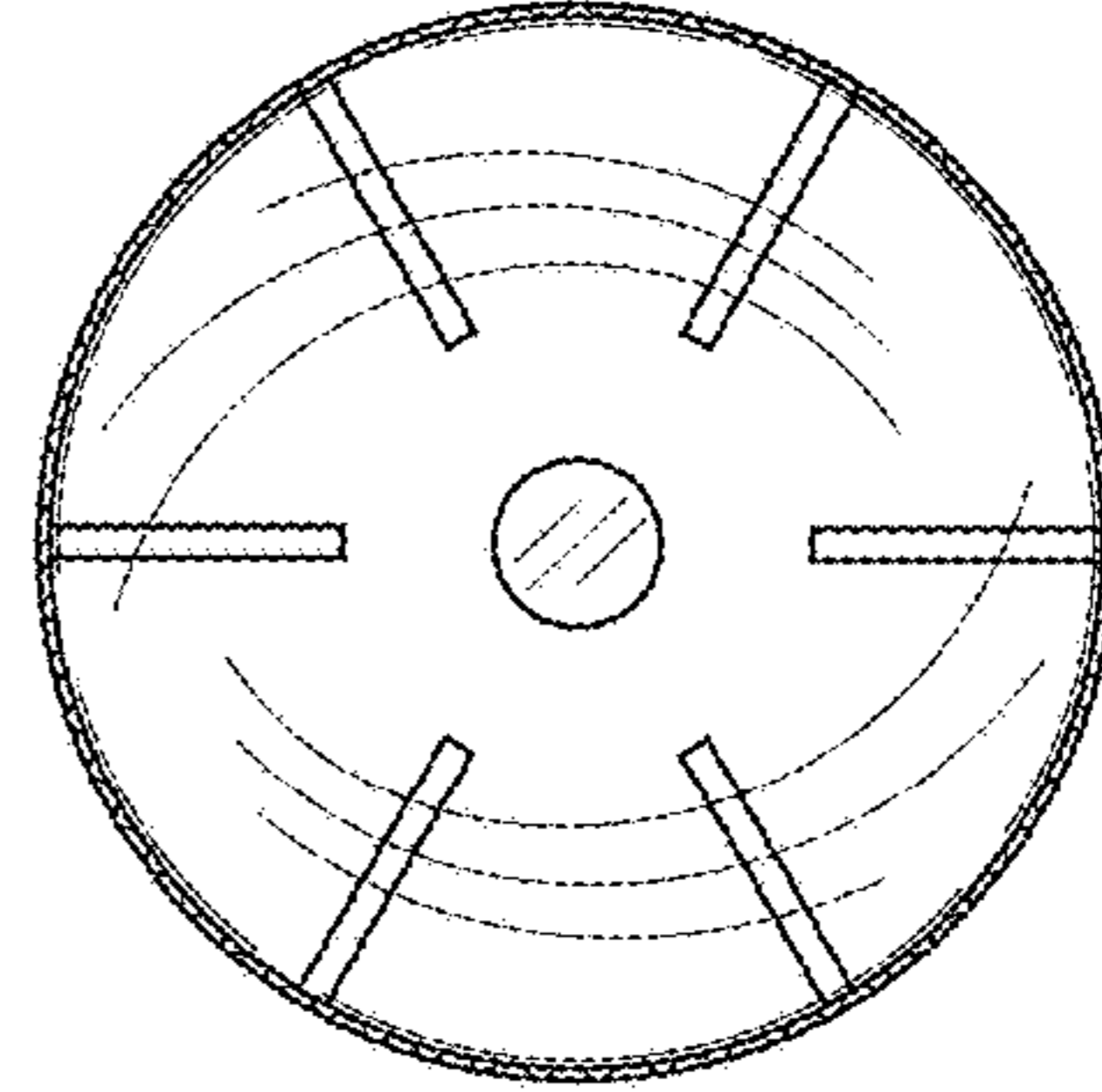


Fig. 31

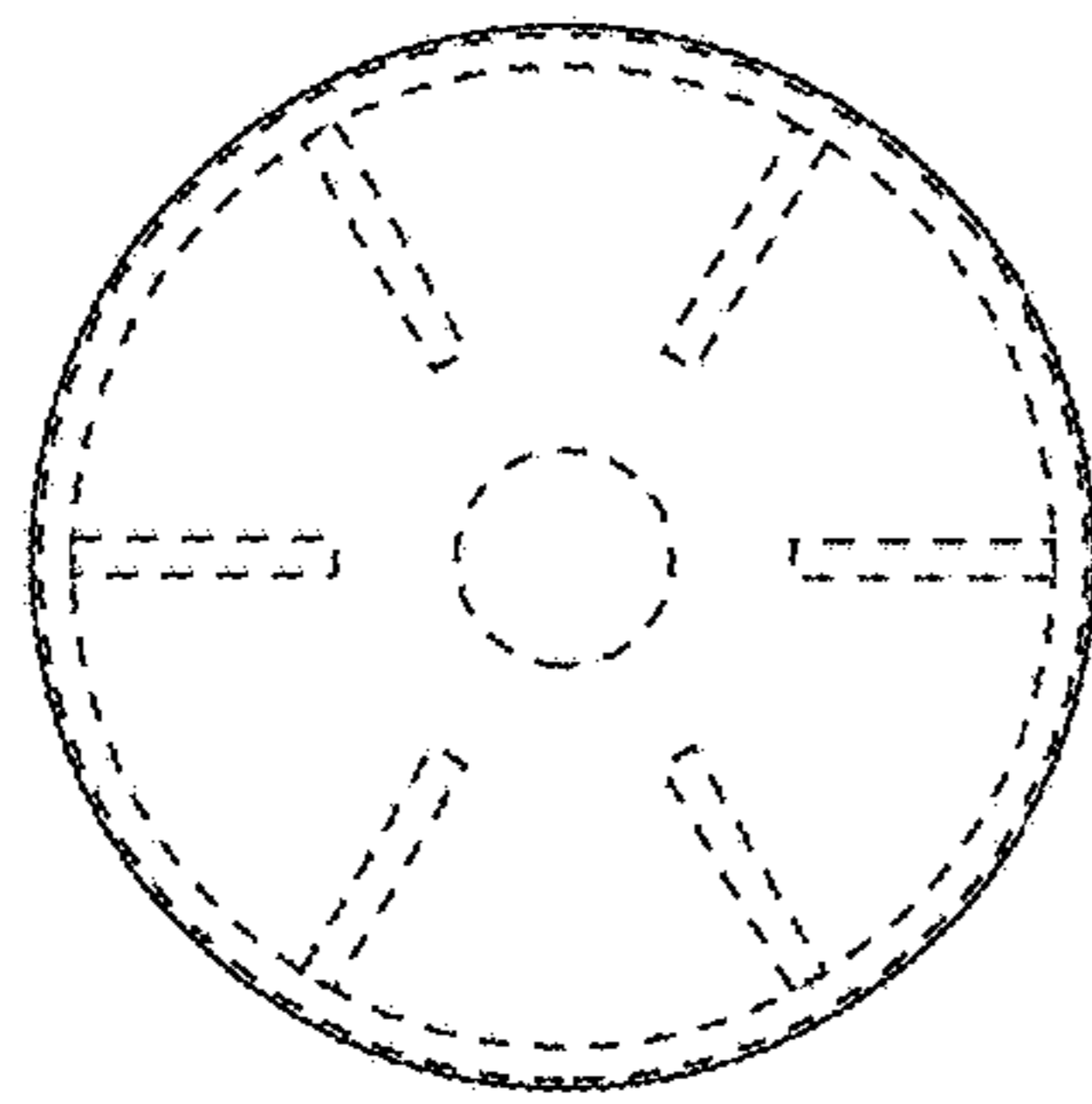


Fig. 32

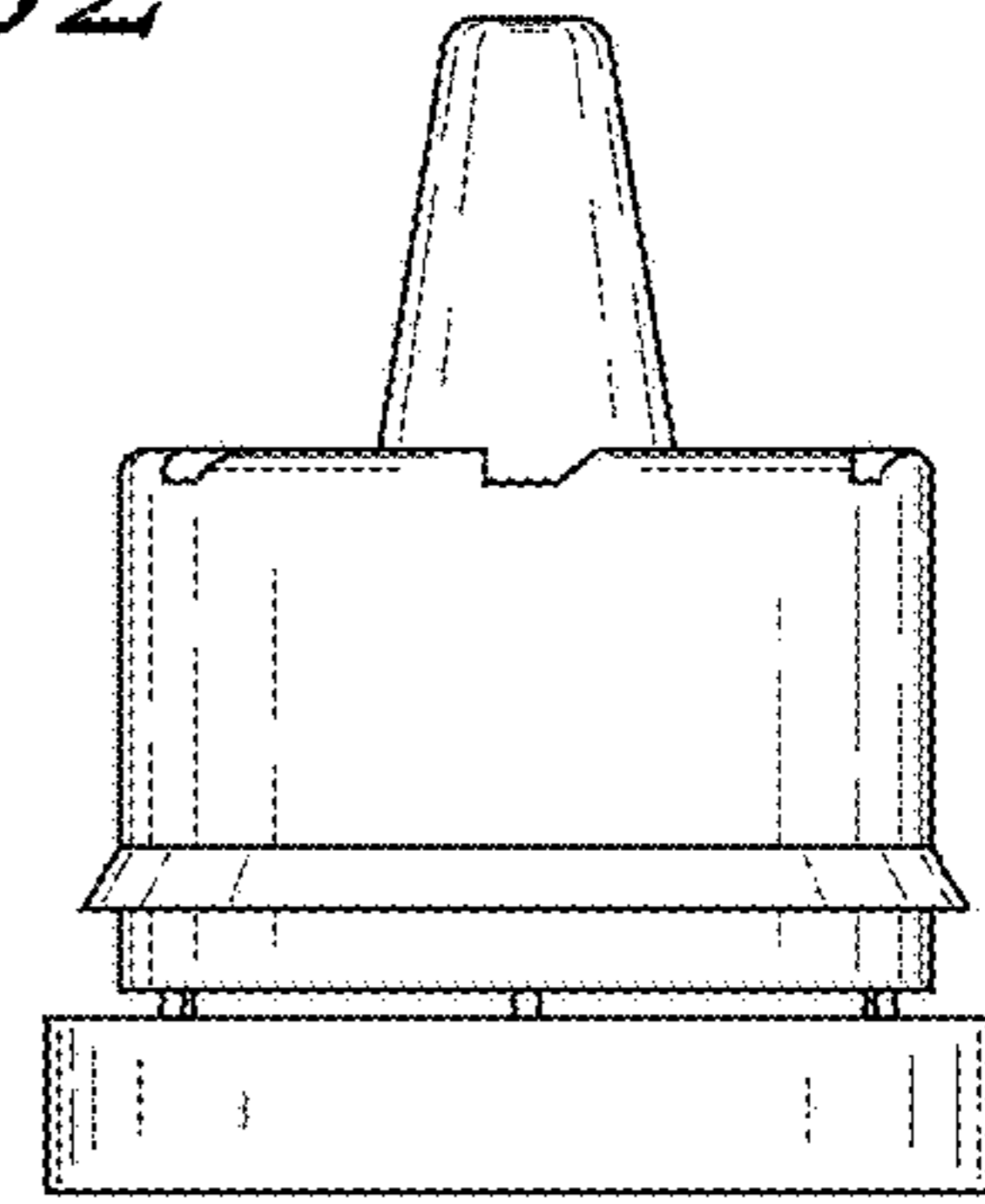


Fig. 33

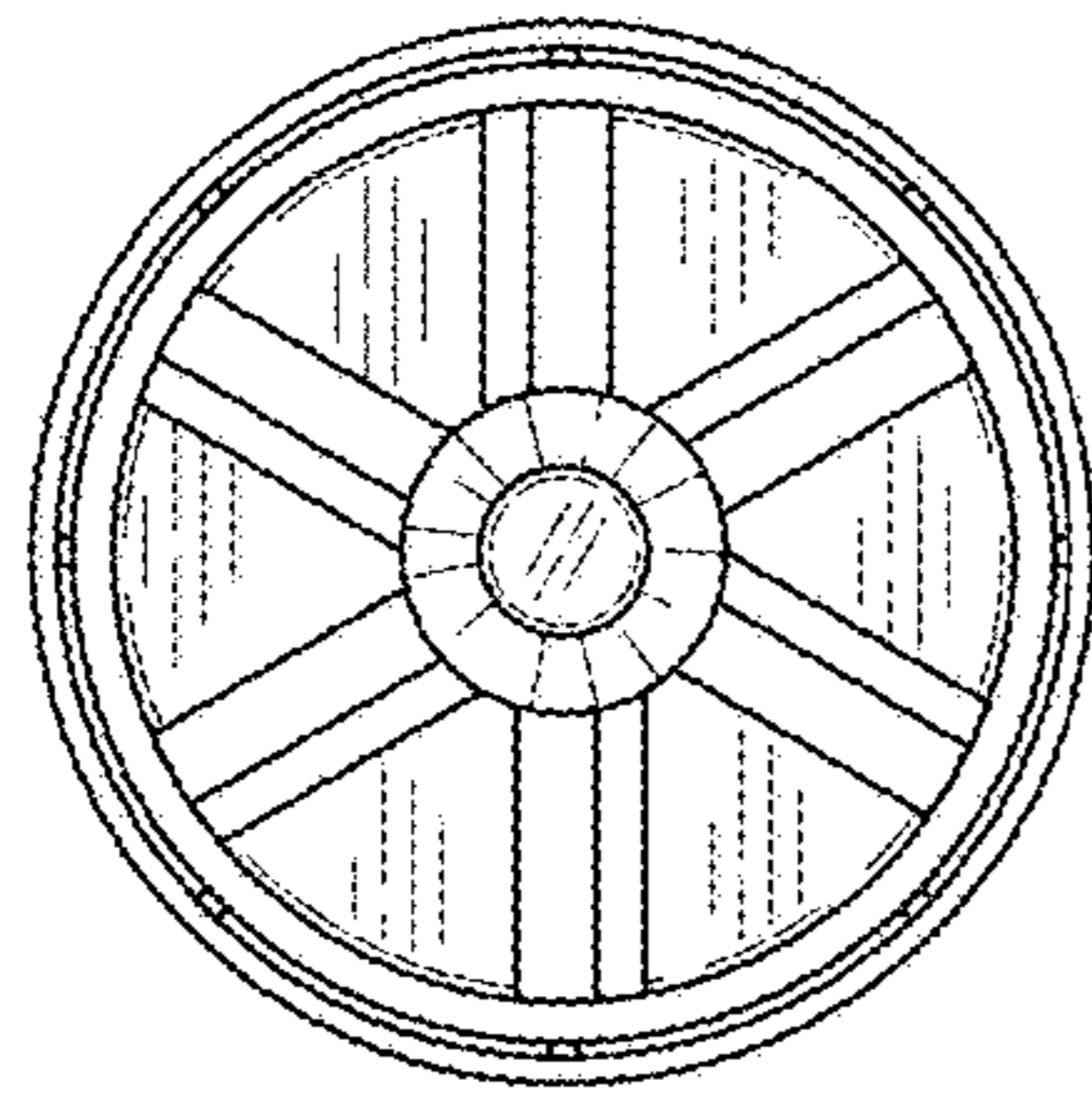


Fig. 34

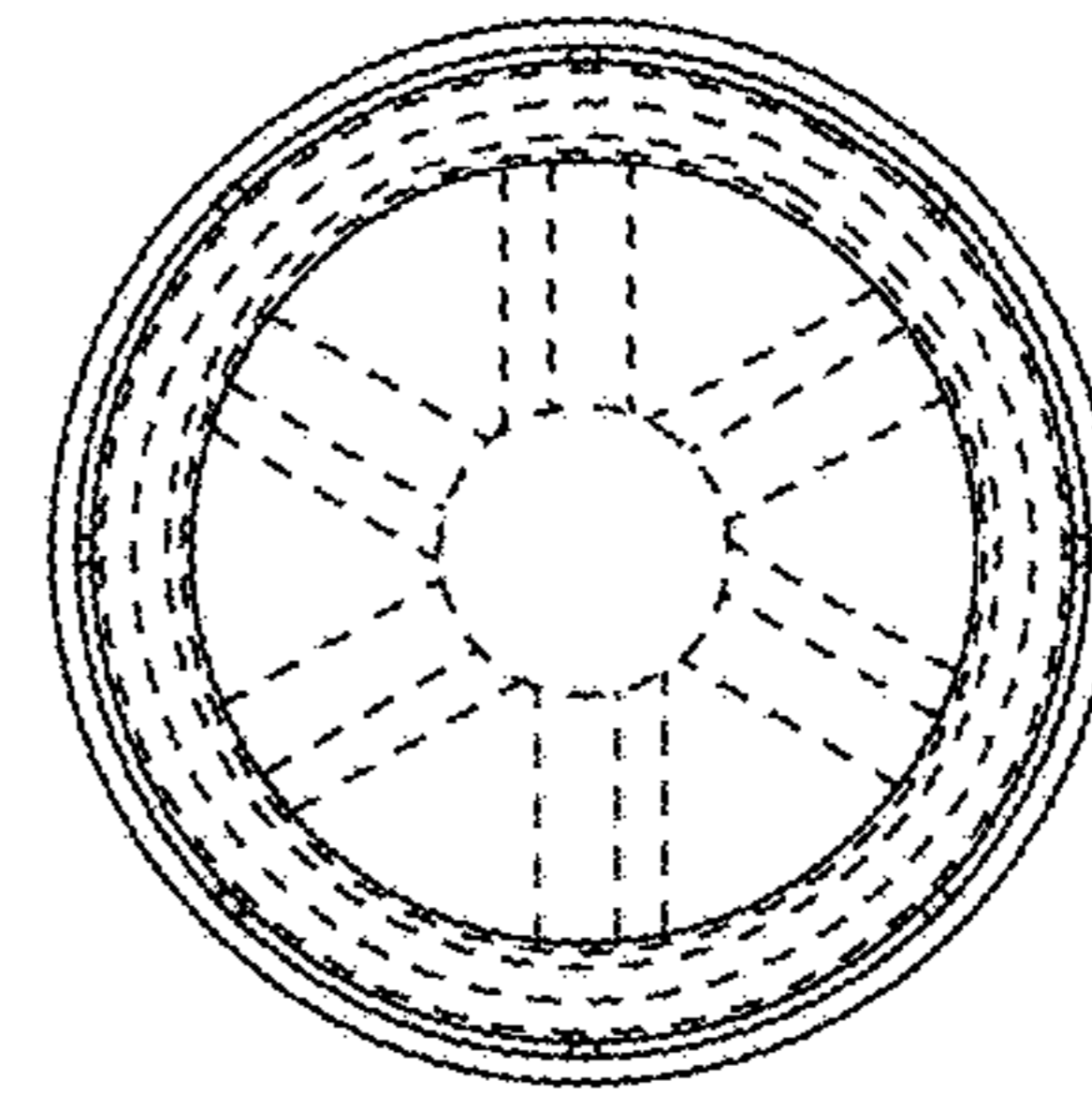


Fig. 35

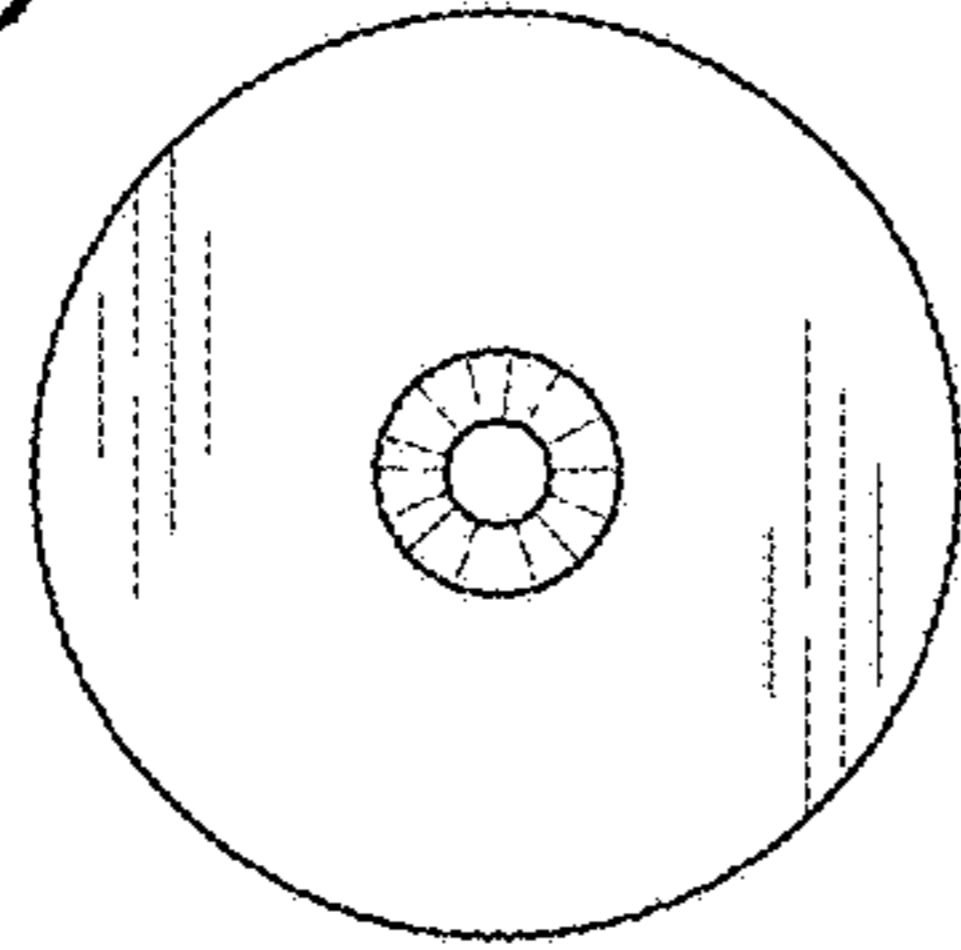


Fig. 36

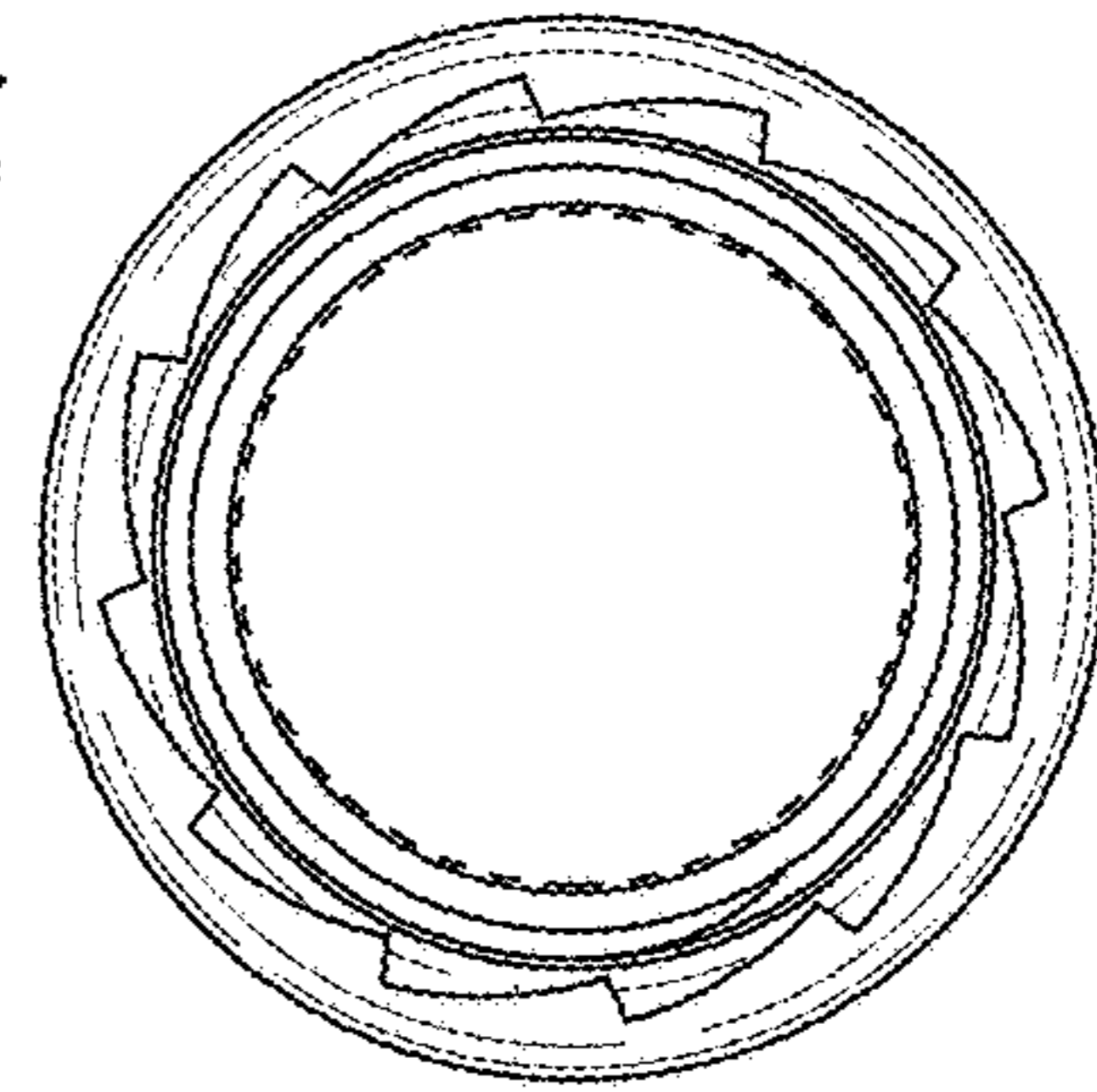


Fig. 37

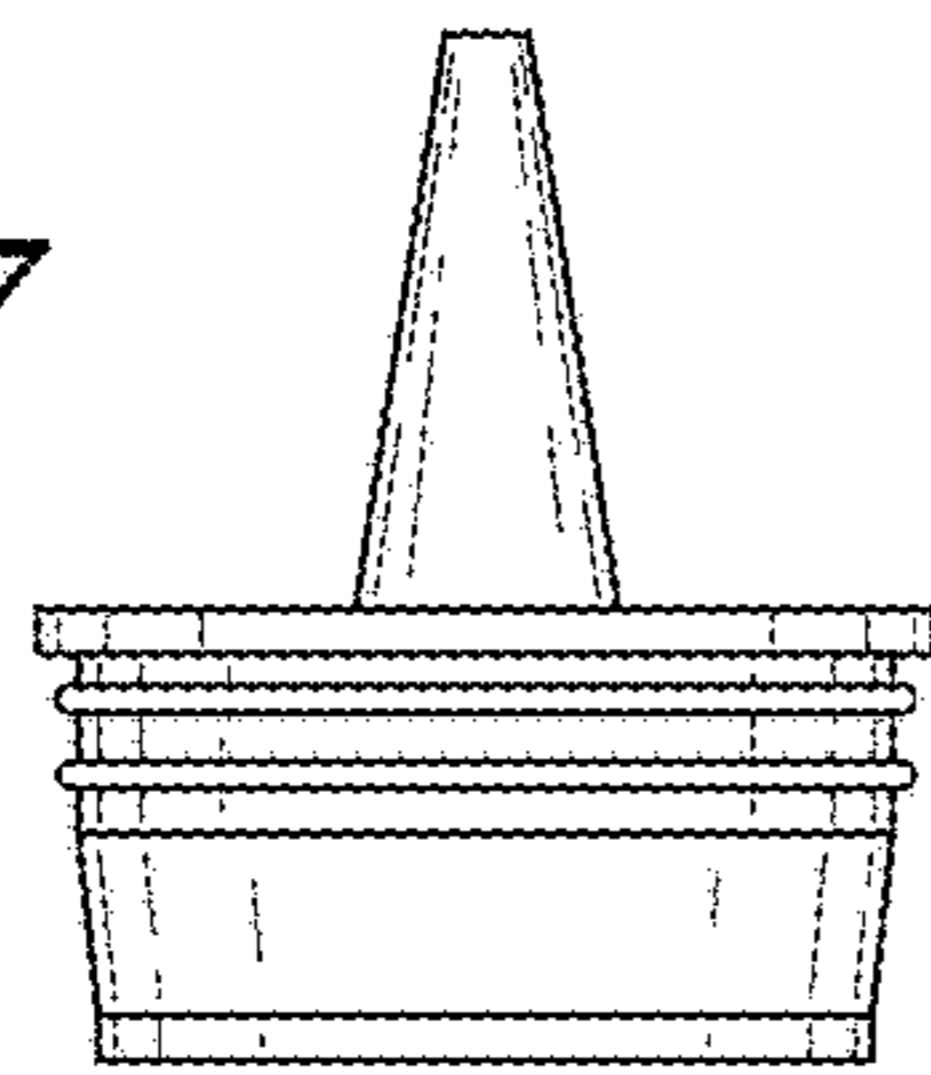


Fig. 38

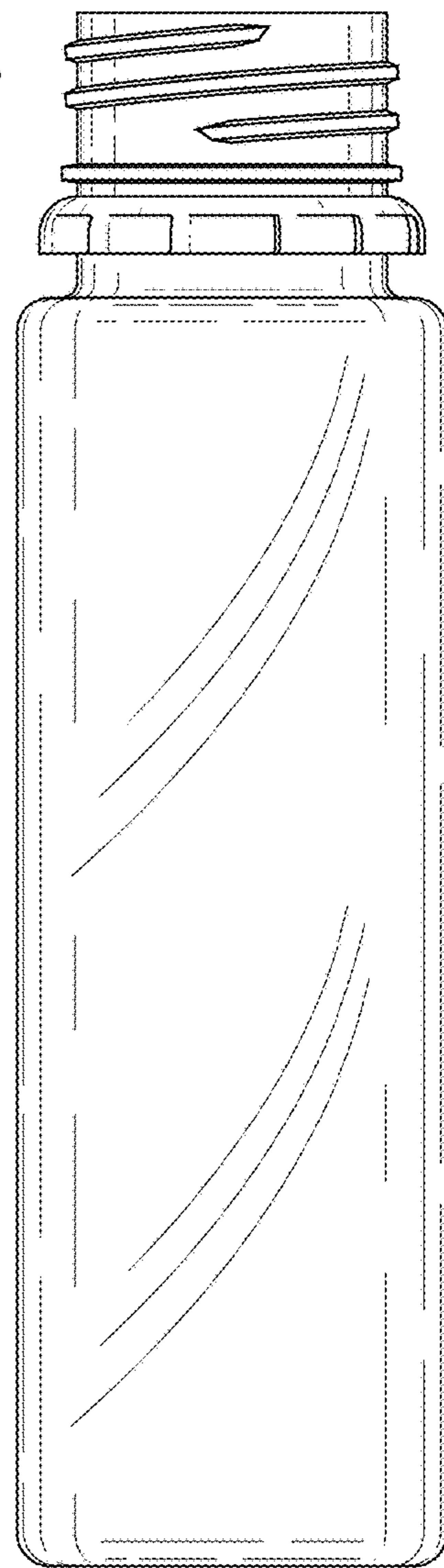


Fig. 39

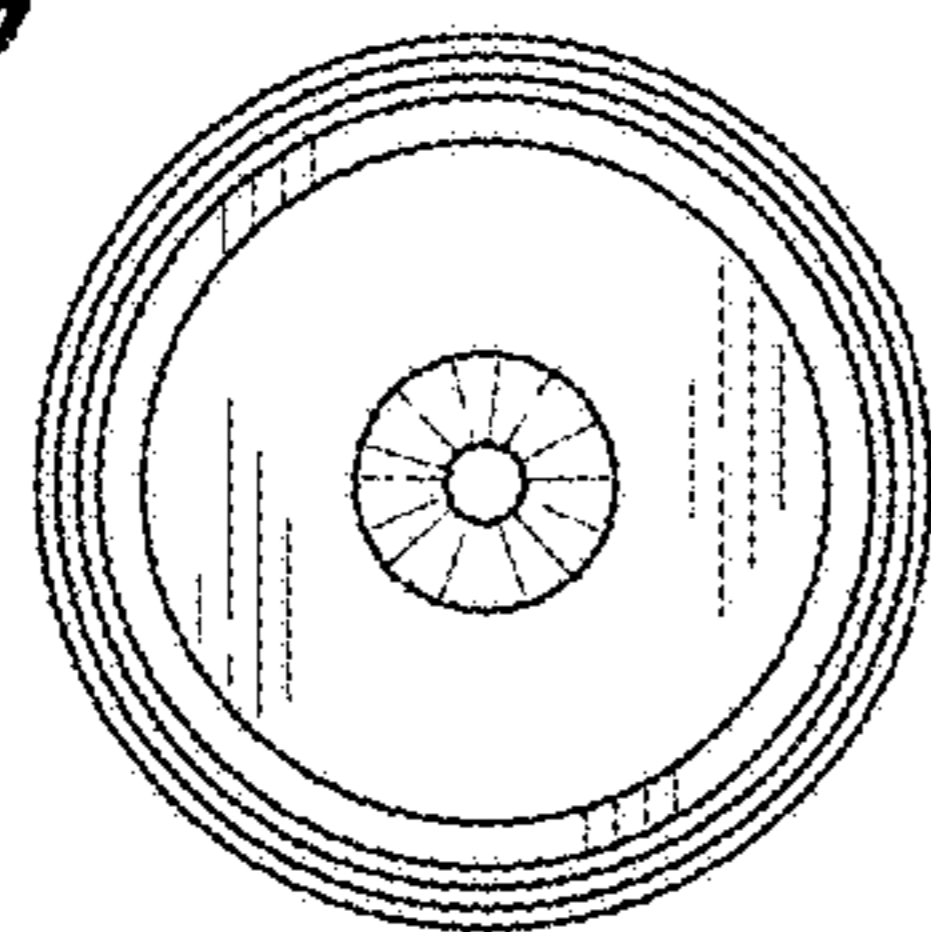


Fig. 40

