



US00D826066S

(12) **United States Design Patent**  
**Creighton**

(10) **Patent No.:** **US D826,066 S**

(45) **Date of Patent:** **\*\* Aug. 21, 2018**

(54) **SPRAY CANISTER WITH CHILD-RESISTANT CAP**

(71) Applicant: **Reckitt Benckiser (Brands) Limited**, Slough (GB)

(72) Inventor: **Michael Creighton**, Warminster, PA (US)

(73) Assignee: **RECKITT BENCKISER (BRANDS) LIMITED**, Slough (GB)

(\*\*) Term: **15 Years**

(21) Appl. No.: **29/612,933**

(22) Filed: **Aug. 4, 2017**

**Related U.S. Application Data**

(62) Division of application No. 29/572,177, filed on Jul. 26, 2016, now Pat. No. Des. 800,572.

(51) **LOC (11) Cl.** ..... **09-01**

(52) **U.S. Cl.**  
USPC ..... **D9/689**; D9/503; D9/556; D9/538;  
D9/445

(58) **Field of Classification Search**

USPC ..... D9/682–694, 719, 516, 517, 520, 521,  
D9/523–529, 549–575, 434–436,  
D9/443–448, 503, 504, 414, 417, 418,  
D9/424, 428, 429; D28/76, 77, 82, 86,  
D28/88, 89, 91.1

CPC ..... B65D 1/00; B65D 1/0223; B65D 1/023;  
B65D 1/0246; B65D 1/04; B65D 1/06;  
B65D 1/40; B65D 1/02; B65D 23/102;  
B65D 83/14; B65D 83/20; B65D 83/28;  
B65D 83/38; B65D 83/384; B65D 83/40;  
B65D 83/42; B65D 41/00; B65D 41/02;  
B65D 41/17; B65D 41/18; B65D 41/26;  
B65D 41/62; B65D 43/02; B65D  
43/0202; B65D 43/0206; B65D 43/021;  
B65D 50/00–50/069; B65D  
2215/00–2215/08; B65D 2251/02; B65D

2251/023; B05B 11/00; B05B 11/0005;  
B05B 11/0027; B05B 11/0035; B05B  
11/0037; B05B 11/0054; B05B 11/02;  
B05B 11/30–11/3098; A45D 34/00; A45D  
34/04; A45D 2034/007; A45D 2200/05;  
A45D 2200/055; A45D 2200/056; A45D  
2200/057

See application file for complete search history.

(56) **References Cited**

U.S. PATENT DOCUMENTS

D138,925 S 9/1944 Ostrin et al. .... D24/197  
D139,004 S 10/1944 Weeks ..... D9/517

(Continued)

*Primary Examiner* — Catherine A Tuttle

(74) *Attorney, Agent, or Firm* — Troutman Sanders LLP;  
Ryan Schneider; Chris Davis

(57) **CLAIM**

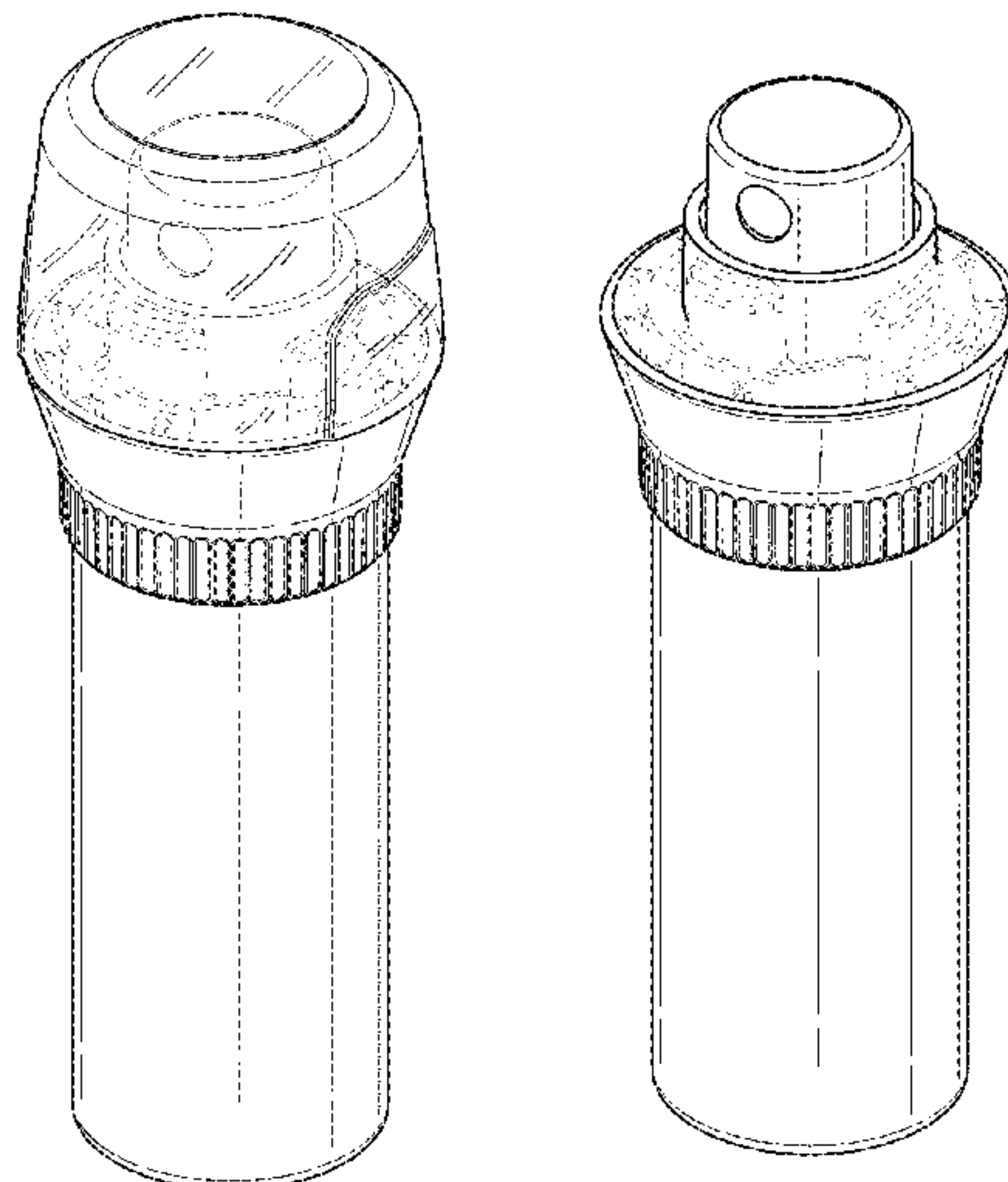
The ornamental design for a spray canister with child-resistant cap, as shown and described.

**DESCRIPTION**

FIG. 1 is a front perspective view of the spray canister with child-resistant cap showing my new design;  
FIG. 2 is a front elevation view thereof;  
FIG. 3 is a back elevation view thereof;  
FIG. 4 is a side elevation view thereof;  
FIG. 5 is an elevation view of the opposing side of FIG. 4;  
FIG. 6 is a top plan view thereof;  
FIG. 7 is a bottom plan view thereof; and,  
FIGS. 8-11 are views similar to FIGS. 1-4 but shown with the cap removed for a clear disclosure of the underlying parts.

The broken lines showing the structures visible behind the transparent cap are for illustrative purposes only and form no part of the claimed design.

**1 Claim, 7 Drawing Sheets**



(56)

References Cited

U.S. PATENT DOCUMENTS

2,790,576 A 4/1957 Lawrence ..... B65D 43/0222  
215/316  
3,112,048 A \* 11/1963 Finkenzeller ..... B65D 83/38  
222/182  
3,206,081 A 9/1965 Sagarin ..... B65D 83/205  
222/182  
D207,070 S 2/1967 Gould ..... D9/504  
3,422,996 A 1/1969 Lipman ..... B05B 11/3059  
222/384  
D229,120 S 11/1973 Bell ..... D26/49  
D240,799 S 8/1976 Lewis ..... D9/503  
D246,893 S 1/1978 Eron ..... D9/689  
D255,990 S 7/1980 Lucas ..... D9/726  
5,051,017 A 9/1991 Yorks ..... A45D 34/041  
401/209  
D337,254 S \* 7/1993 Nakagawa ..... D9/435  
5,242,089 A 9/1993 Knickerbocker ..... B05B 11/007  
5,462,099 A \* 10/1995 Demarest ..... B65B 31/003  
141/113

D371,304 S 7/1996 Onneweer ..... D7/511  
5,551,582 A 9/1996 Robinson ..... B65D 50/048  
215/216  
D375,679 S 11/1996 Russell ..... D20/7  
D385,779 S 11/1997 Sokol ..... D9/529  
D411,100 S \* 6/1999 Torres ..... D9/692  
D550,571 S 9/2007 Diaz ..... D9/719  
D592,523 S \* 5/2009 Padain ..... D9/689  
D618,561 S 6/2010 Lee ..... D9/726  
D645,763 S \* 9/2011 Lee ..... D9/725  
D666,908 S 9/2012 Dabah ..... D9/445  
D715,156 S \* 10/2014 Park ..... D9/688  
9,745,117 B2 \* 8/2017 Kim ..... B05B 11/3023  
2003/0129142 A1 7/2003 Schroeder ..... A45D 34/041  
424/47  
2010/0320168 A1 12/2010 Bull ..... B65D 50/046  
215/219  
2016/0068317 A1 3/2016 Petit ..... B29C 45/006  
206/438  
2016/0280429 A1 9/2016 Piscopo ..... B65D 50/046

\* cited by examiner

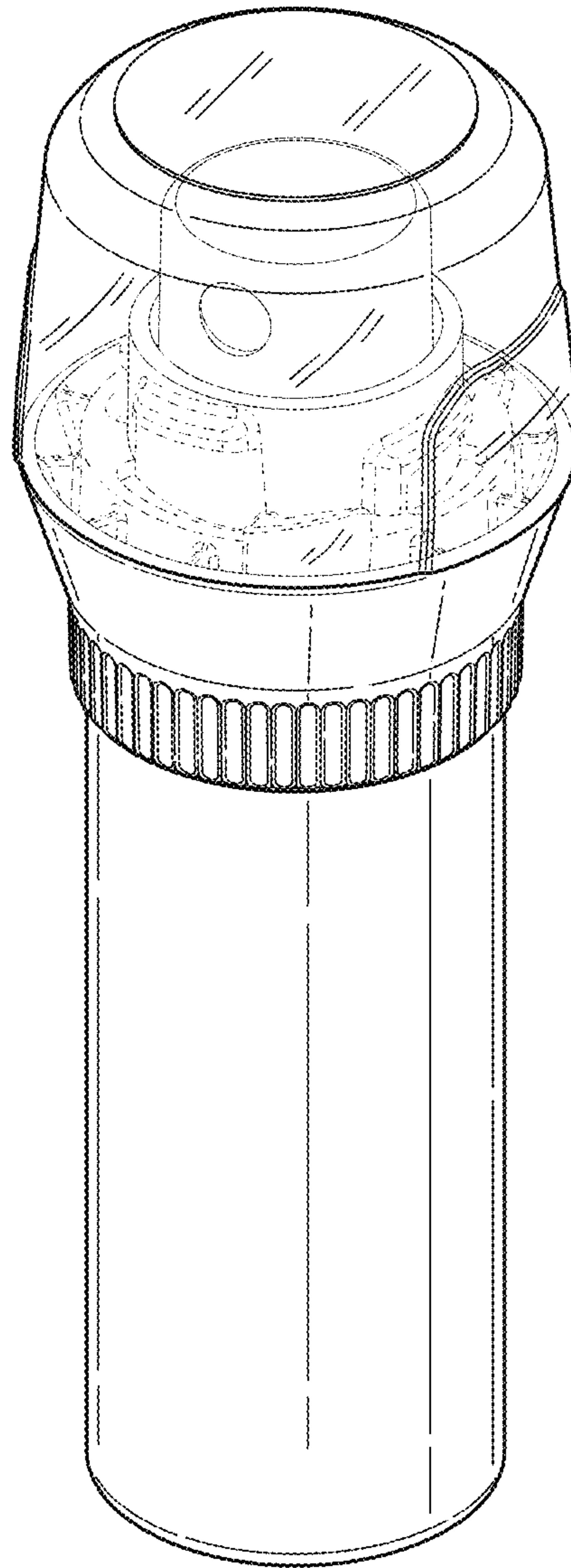


Fig. 1

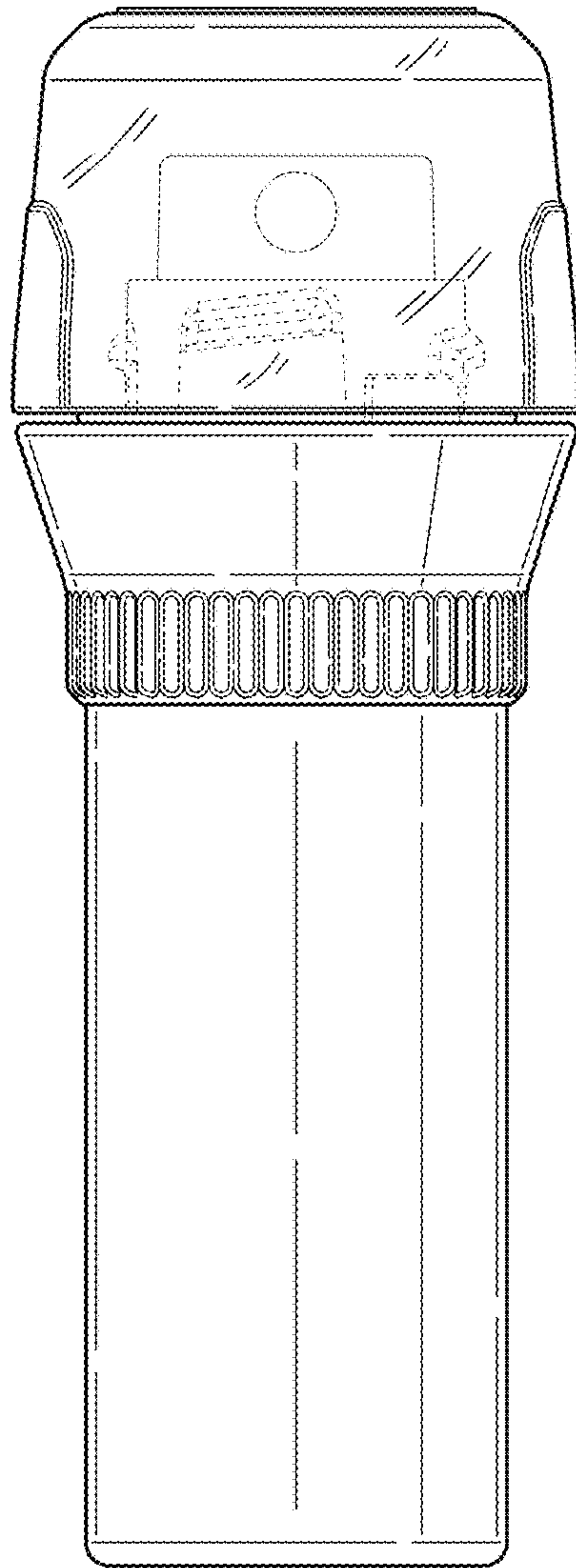


Fig. 2

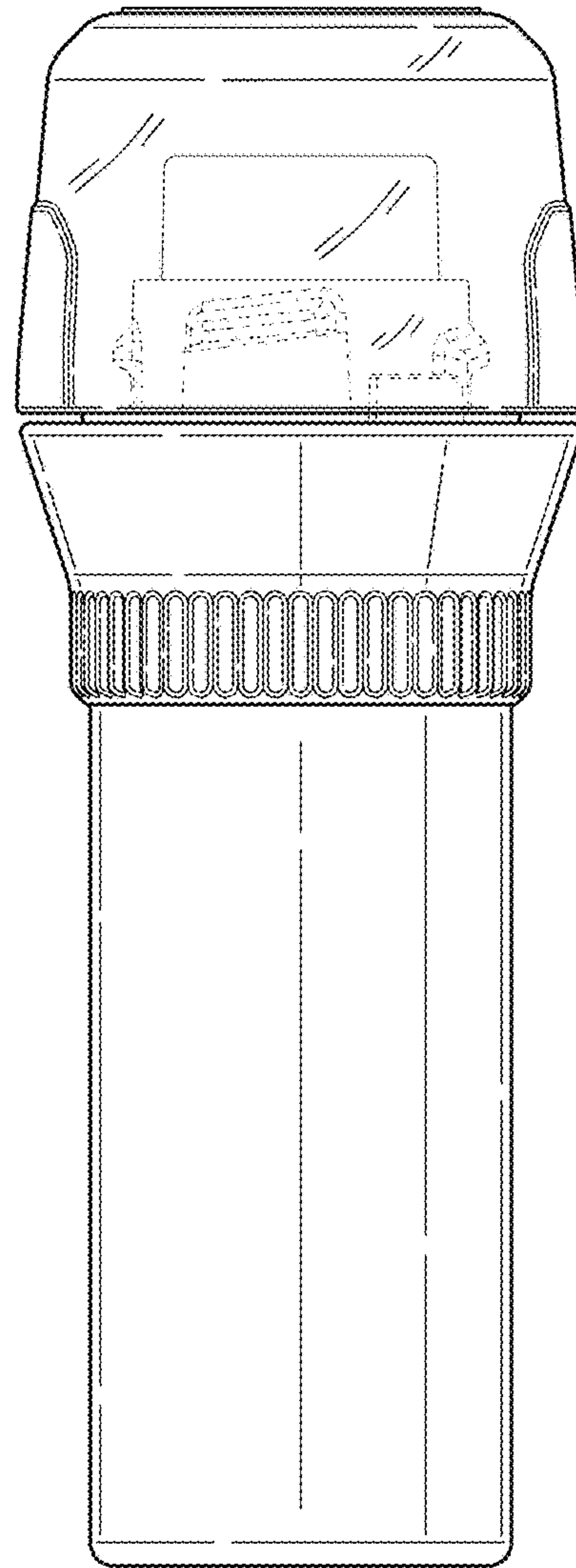


Fig. 3



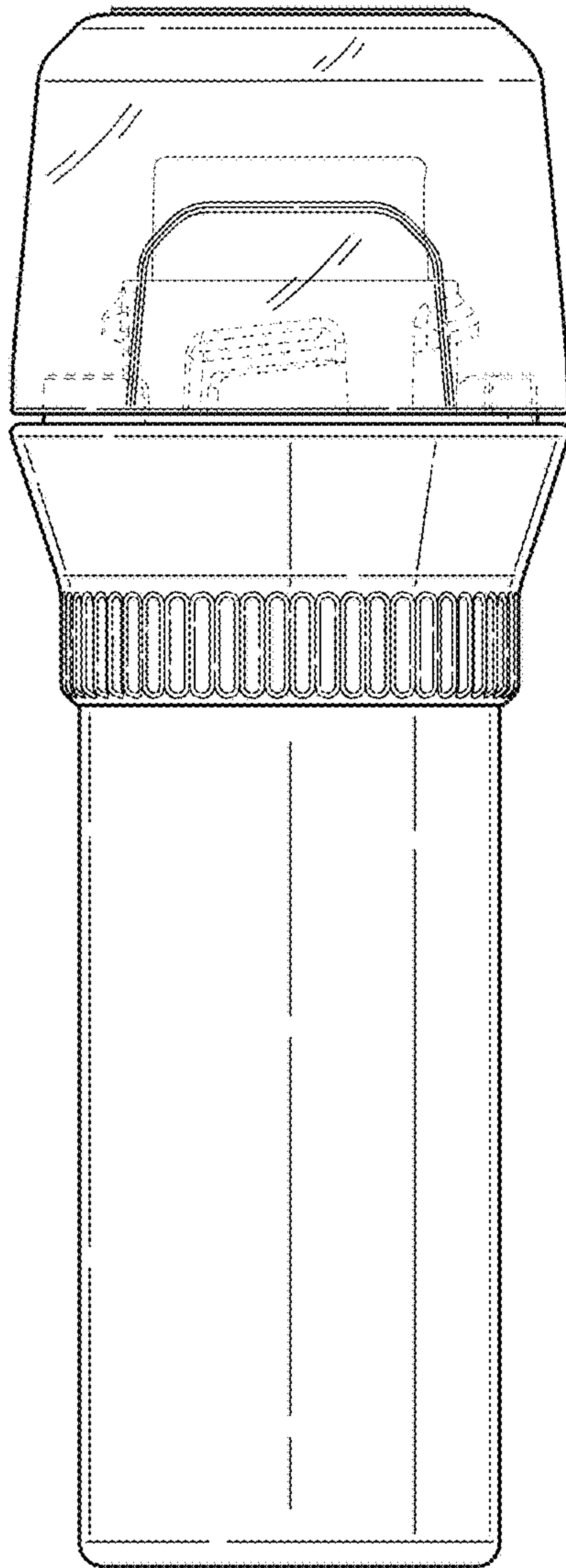


Fig. 4

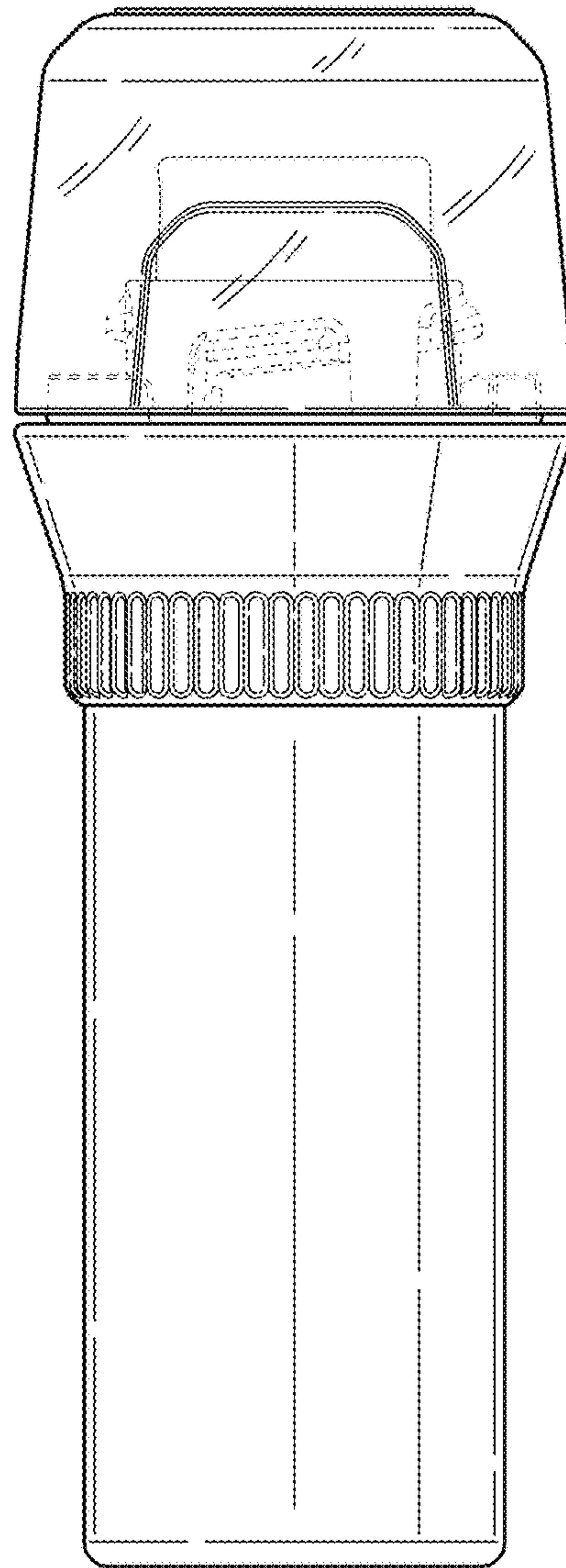


Fig. 5

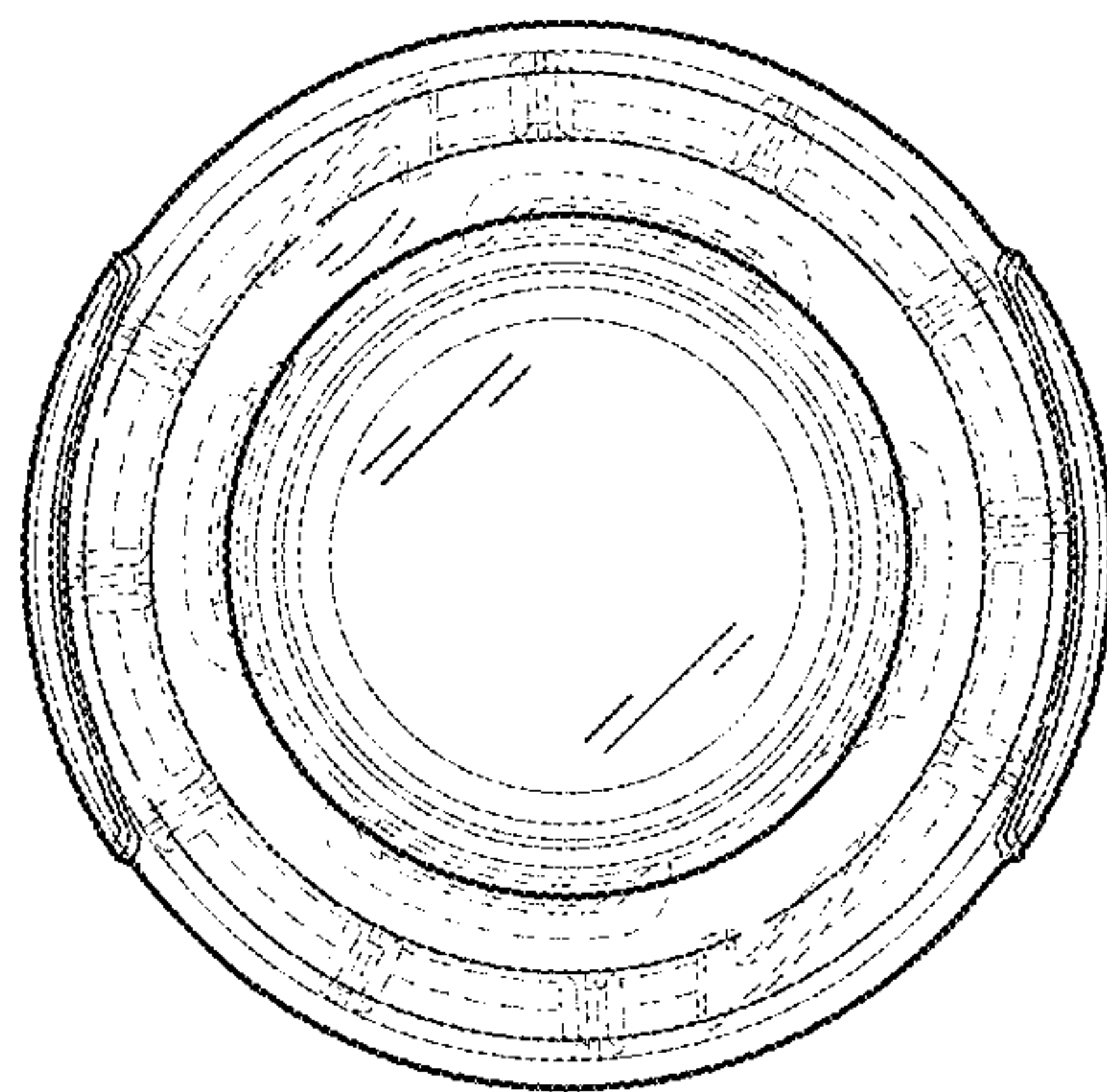


Fig. 6

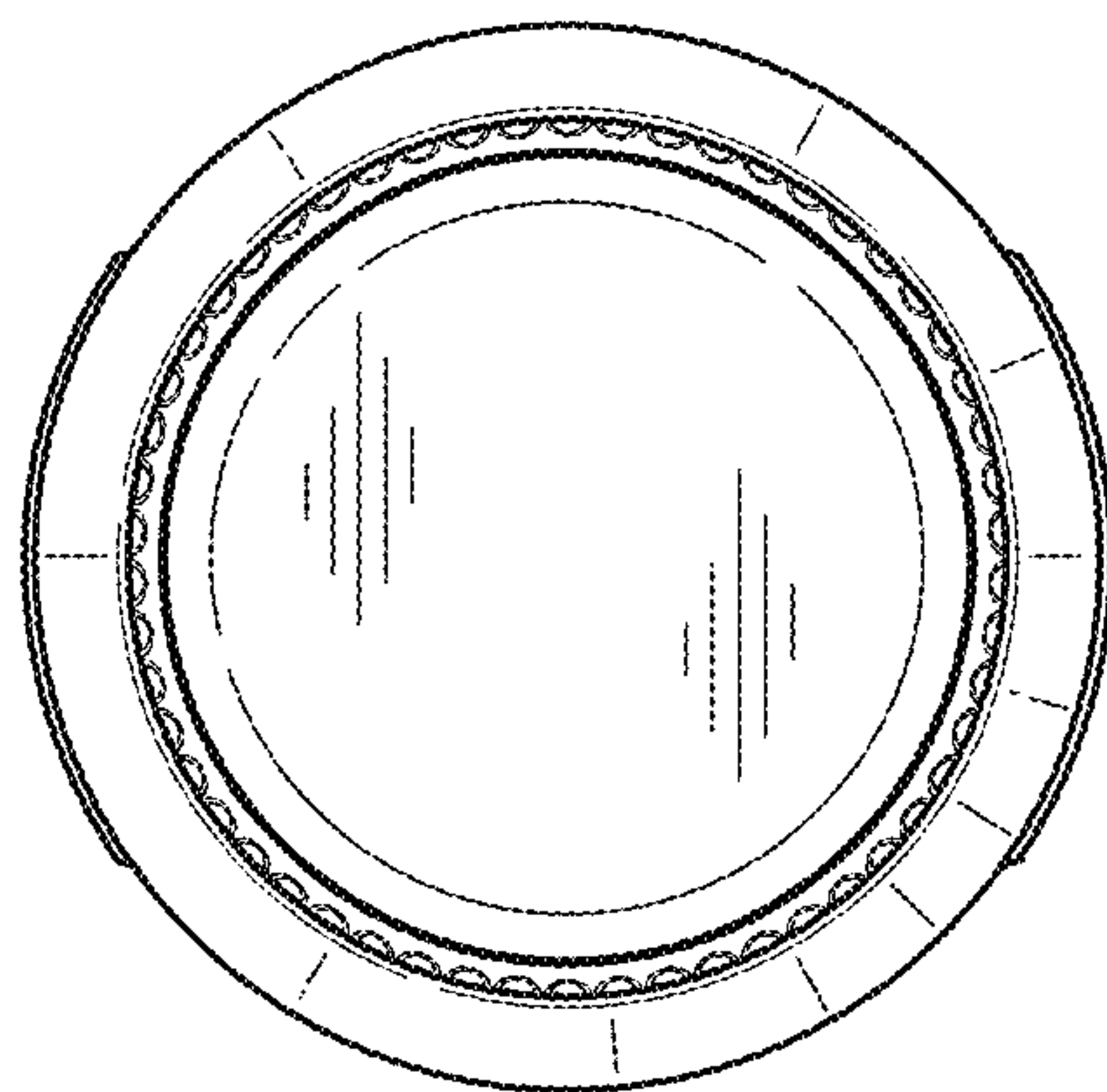


Fig. 7

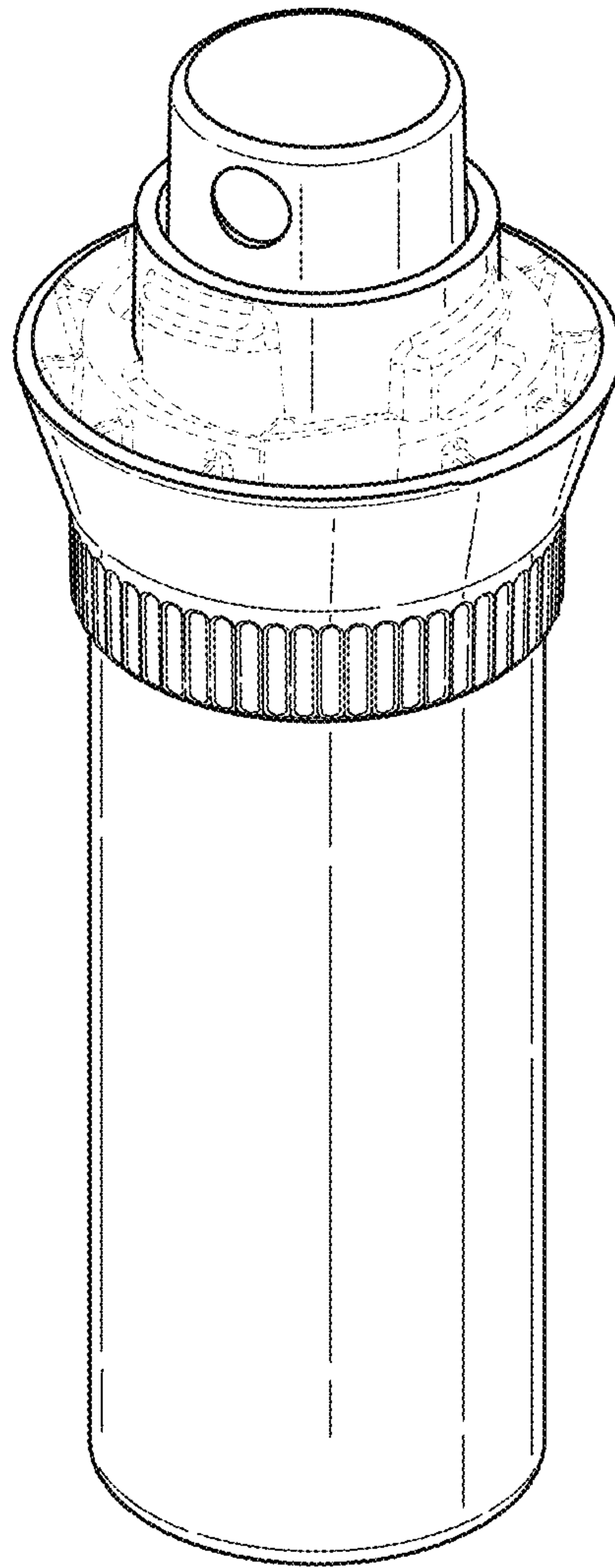


Fig. 8

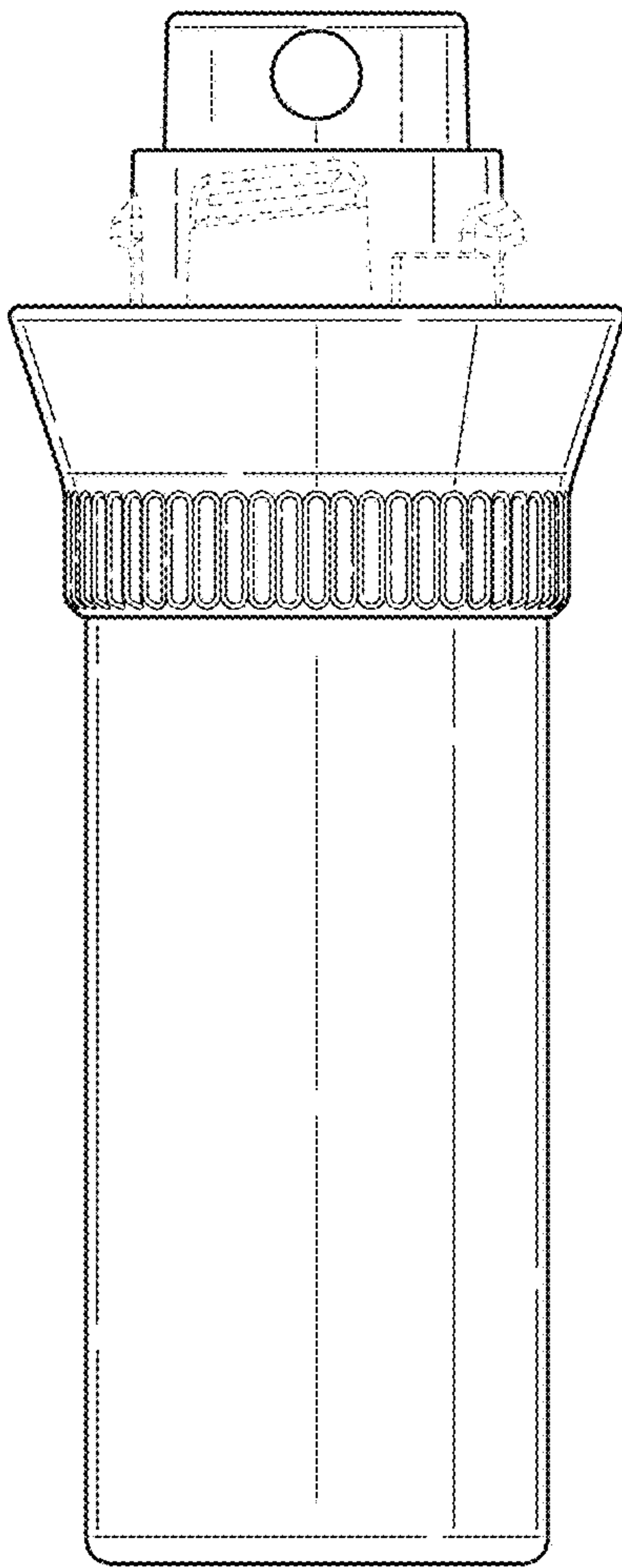


Fig. 9

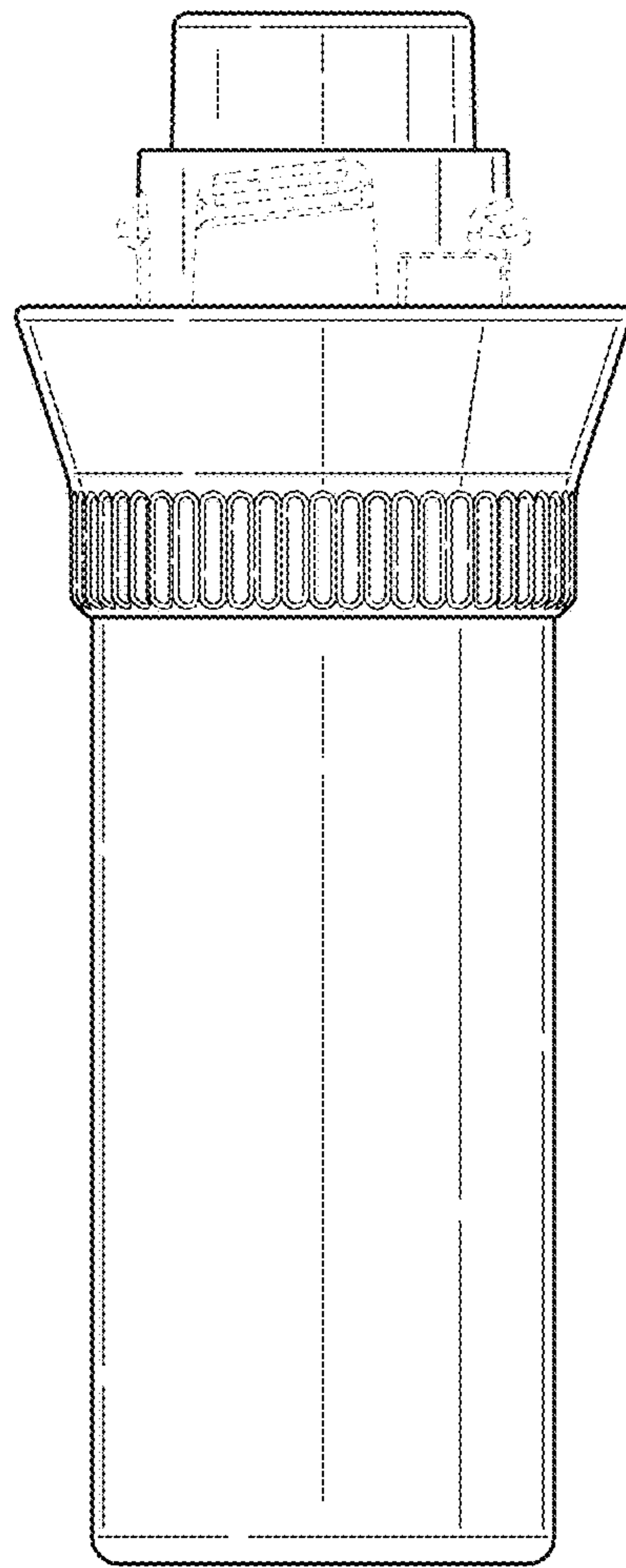


Fig. 10



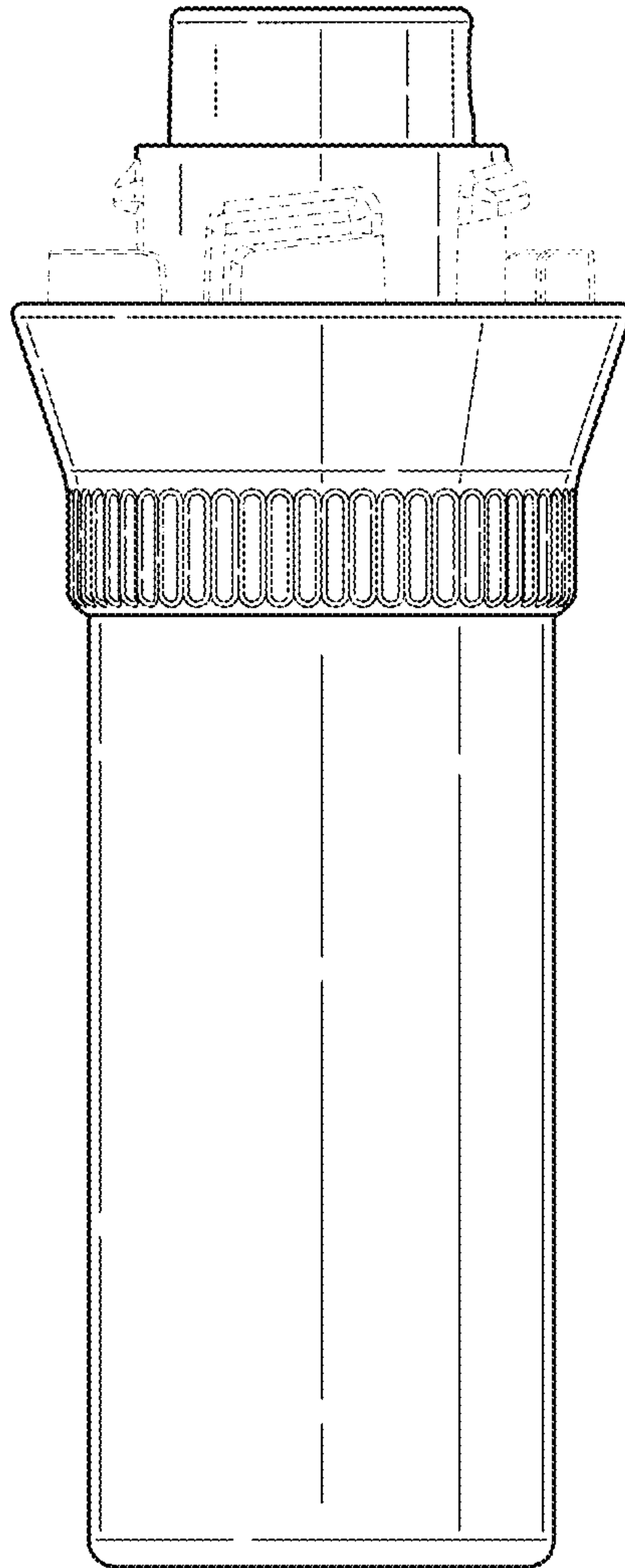


Fig. 11