



US00D826061S

(12) **United States Design Patent** (10) **Patent No.:** **US D826,061 S**  
**Snell** (45) **Date of Patent:** **\*\* Aug. 21, 2018**

(54) **DISPENSER**  
(71) Applicant: **InterDesign, Inc.**, Solon, OH (US)  
(72) Inventor: **Russell Benton Snell**, Bentleyville, OH (US)  
(73) Assignee: **InterDesign, Inc.**, Solon, OH (US)  
(\*\*) Term: **15 Years**

D484,039 S \* 12/2003 Dretzka ..... D6/542  
D496,262 S \* 9/2004 Dretzka ..... D6/542  
D502,110 S \* 2/2005 Theunynck ..... D9/550  
D523,754 S \* 6/2006 Williams ..... D9/558  
D530,215 S \* 10/2006 Brown ..... D9/558  
D537,360 S \* 2/2007 Snell ..... D6/542  
D551,087 S \* 9/2007 Snell ..... D6/542

(Continued)

(21) Appl. No.: **29/614,789**  
(22) Filed: **Aug. 23, 2017**

**Related U.S. Application Data**

(63) Continuation of application No. 29/551,071, filed on Jan. 11, 2016, now Pat. No. Des. 799,219, which is a continuation of application No. 29/503,223, filed on Sep. 24, 2014, now Pat. No. Des. 750,443, which is a continuation of application No. 29/480,138, filed on Jan. 23, 2014, now abandoned, which is a continuation of application No. 29/444,254, filed on Jan. 29, 2013, now Pat. No. Des. 698,612.

(51) **LOC (11) Cl.** ..... **09-01**

(52) **U.S. Cl.**  
USPC ..... **D9/558; D9/574**

(58) **Field of Classification Search**  
USPC ..... D9/574, 516, 522, 530, 543, 549, 558, D9/564, 565, 569, 572, 573; 132/293; 215/381-385, 396, 398; 220/296, 288, 220/300, 669, 675  
CPC ..... B65D 1/00; B65D 1/02; B65D 1/0223; B65D 1/0246; B65D 41/00; B65D 41/02; B65D 41/04; B65D 2501/00; B65D 2501/0009  
See application file for complete search history.

(56) **References Cited**

**U.S. PATENT DOCUMENTS**

D372,860 S \* 8/1996 Lathrop ..... D9/558  
D379,593 S \* 6/1997 Gaeta ..... D9/548

**OTHER PUBLICATIONS**

amazon.com, interdesign foaming soap dispenser for bathroom or kitchen, Jan. 28, 2014, <https://www.amazon.com/InterDesign-Foaming-Dispenser-Bathroom-Kitchen/dp/B00EHYKIMU/>.\*

*Primary Examiner* — David Muller

*Assistant Examiner* — Nathan Johnston

(74) *Attorney, Agent, or Firm* — Calfee, Halter & Griswold LLP

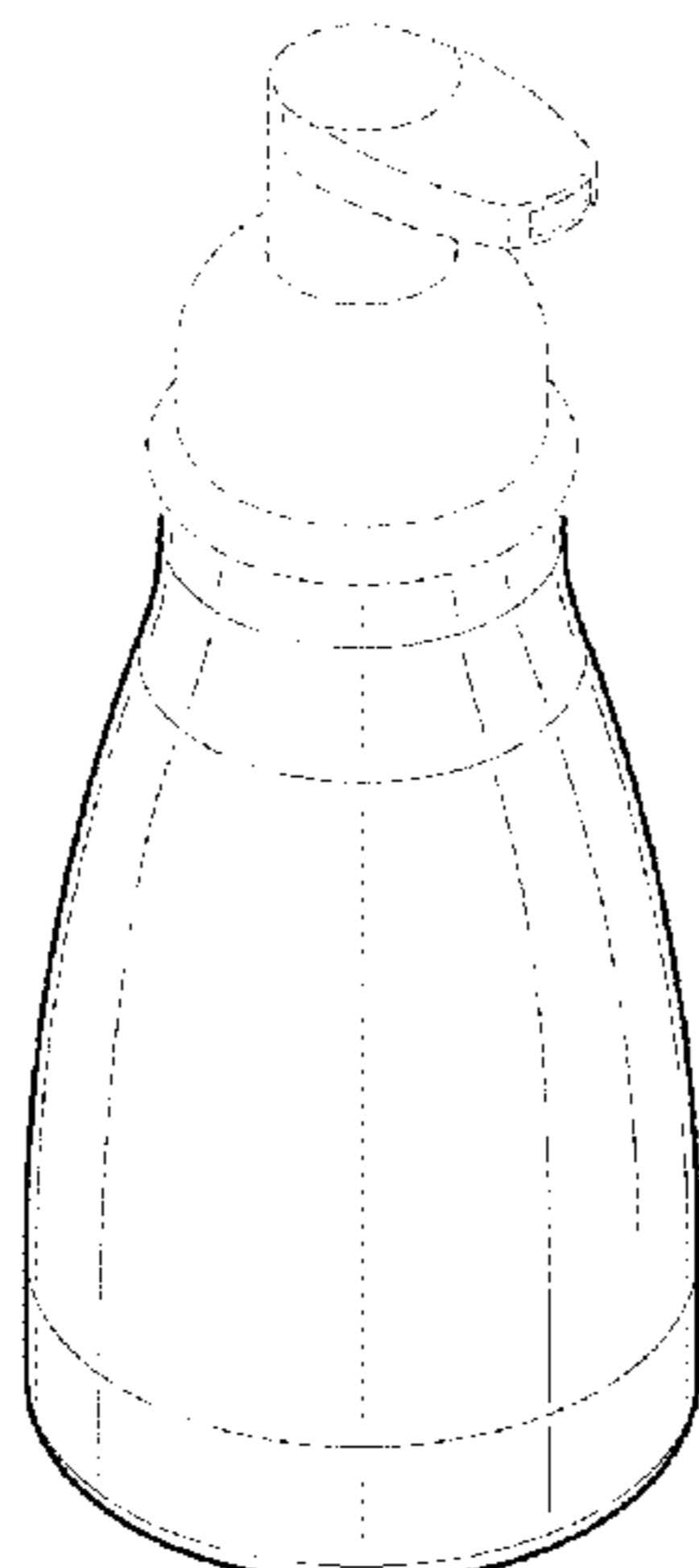
(57) **CLAIM**

I claim the ornamental design for a dispenser, as shown and described.

**DESCRIPTION**

FIG. 1 is a front/left/top perspective view of a dispenser (a front/right/top perspective view would be a mirror image thereof);  
FIG. 2 is a rear/right/bottom perspective view thereof (a rear/left/bottom perspective view would be a mirror image thereof);  
FIG. 3 is a front elevational view thereof;  
FIG. 4 is a right side elevational view thereof;  
FIG. 5 is a left side elevational view thereof; and,  
FIG. 6 is a top plan view thereof.  
The broken lines adjacent the contour lines represent the bounds of the claimed design, while all other broken lines are directed to environment and are for illustrative purposes only. The broken lines form no part of the claimed design.

**1 Claim, 3 Drawing Sheets**



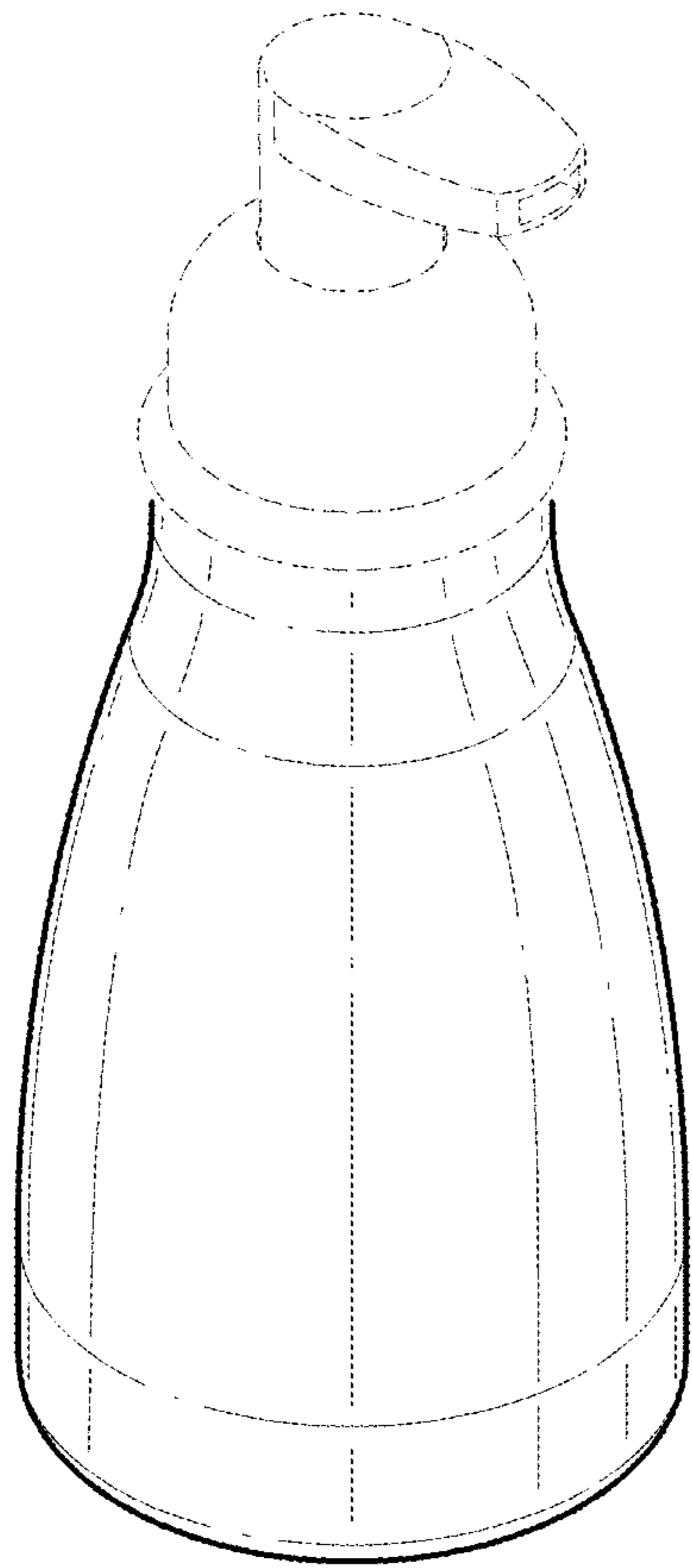
(56)

**References Cited**

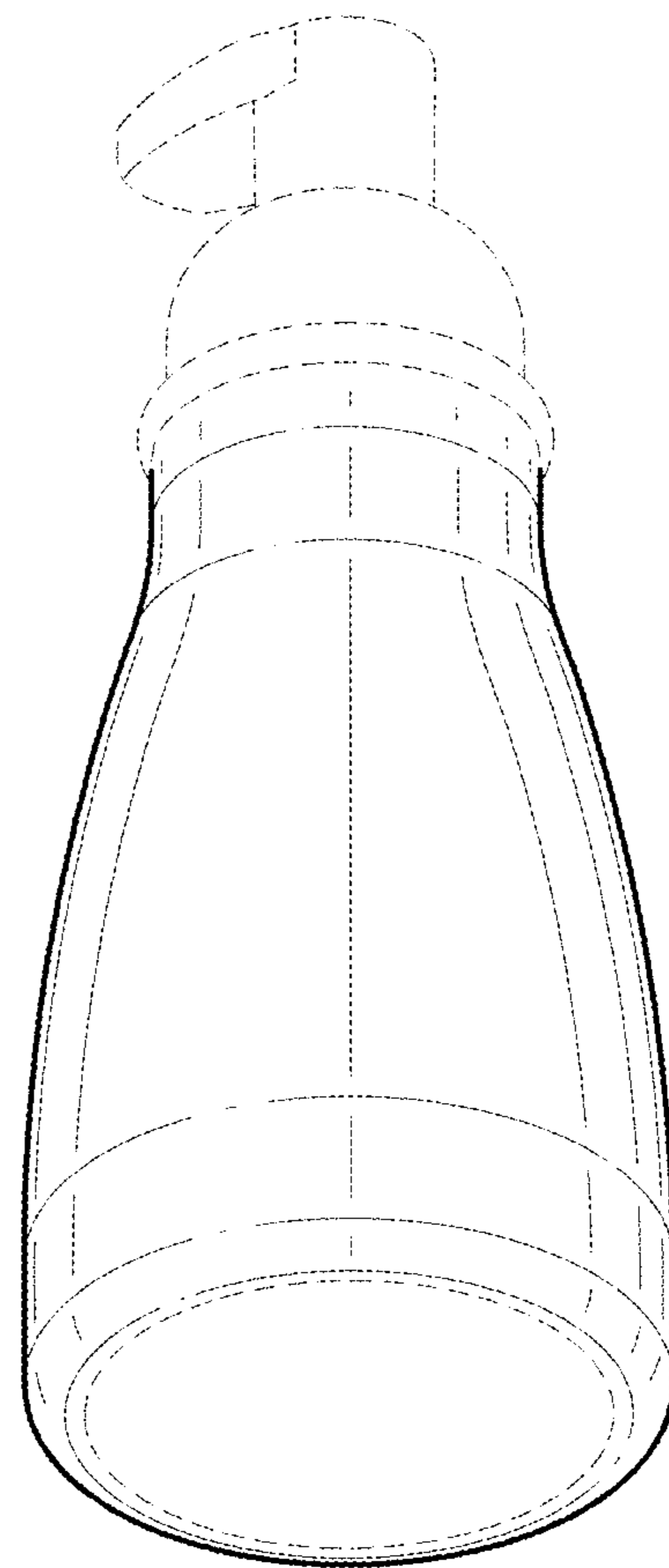
U.S. PATENT DOCUMENTS

D565,420	S	*	4/2008	Adamson	.....	D9/556
D607,732	S	*	1/2010	Kuzma	.....	D9/522
D607,742	S	*	1/2010	Kuzma	.....	D9/558
D608,213	S	*	1/2010	Kuzma	.....	D9/558
D613,176	S	*	4/2010	Gameros	.....	D9/558
D643,737	S	*	8/2011	Handy	.....	D9/558
D646,172	S	*	10/2011	Simmons	.....	D9/529
D657,258	S	*	4/2012	Geeraert	.....	D9/565
D683,229	S	*	5/2013	Crawford	.....	D9/562
D684,473	S	*	6/2013	Crawford	.....	D9/562
D721,279	S	*	1/2015	Van Handel	.....	D9/520
D737,144	S	*	8/2015	Hughes	.....	D9/530
D784,148	S	*	4/2017	Toh	.....	D9/550
D786,684	S	*	5/2017	McGreevy	.....	D9/449
D794,469	S	*	8/2017	Yen	.....	D9/563
D817,659	S	*	5/2018	Stelmarski	.....	D6/542
D818,826	S	*	5/2018	Jovanovic	.....	D9/500

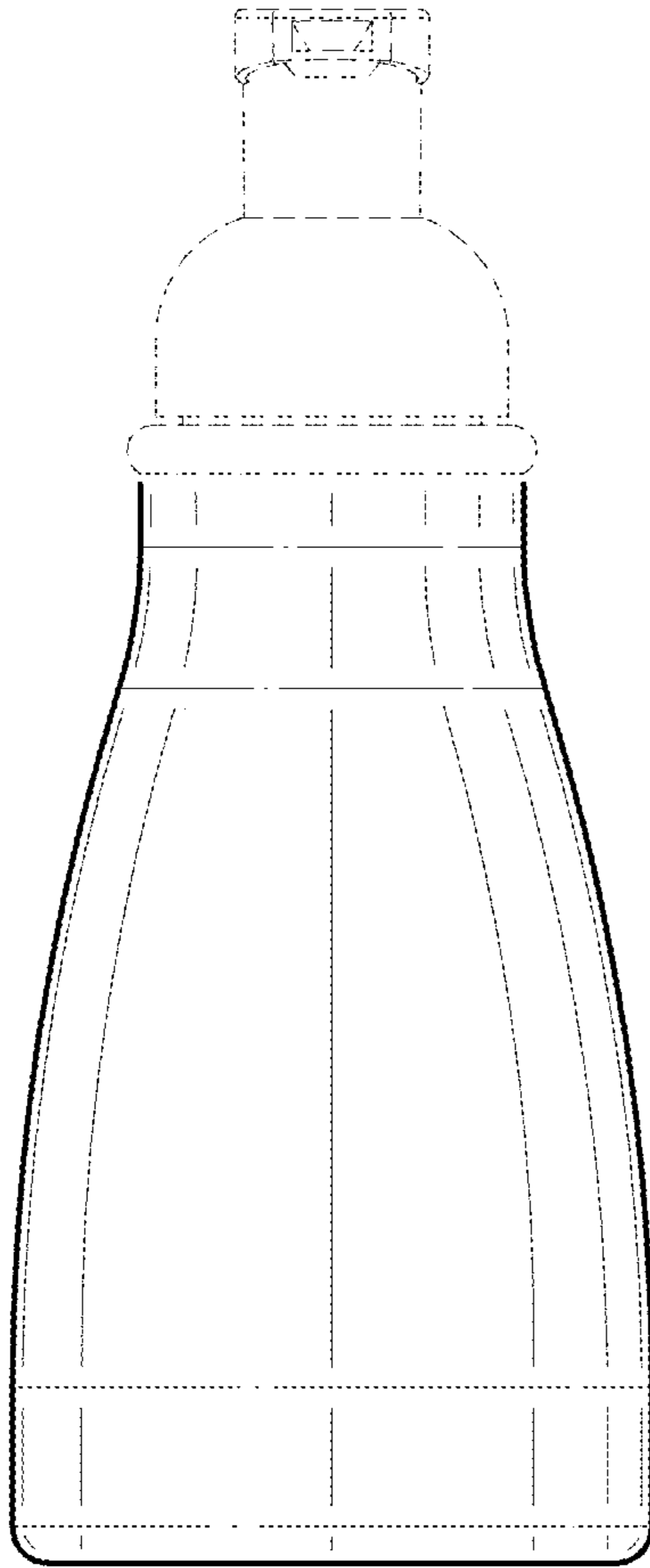
\* cited by examiner



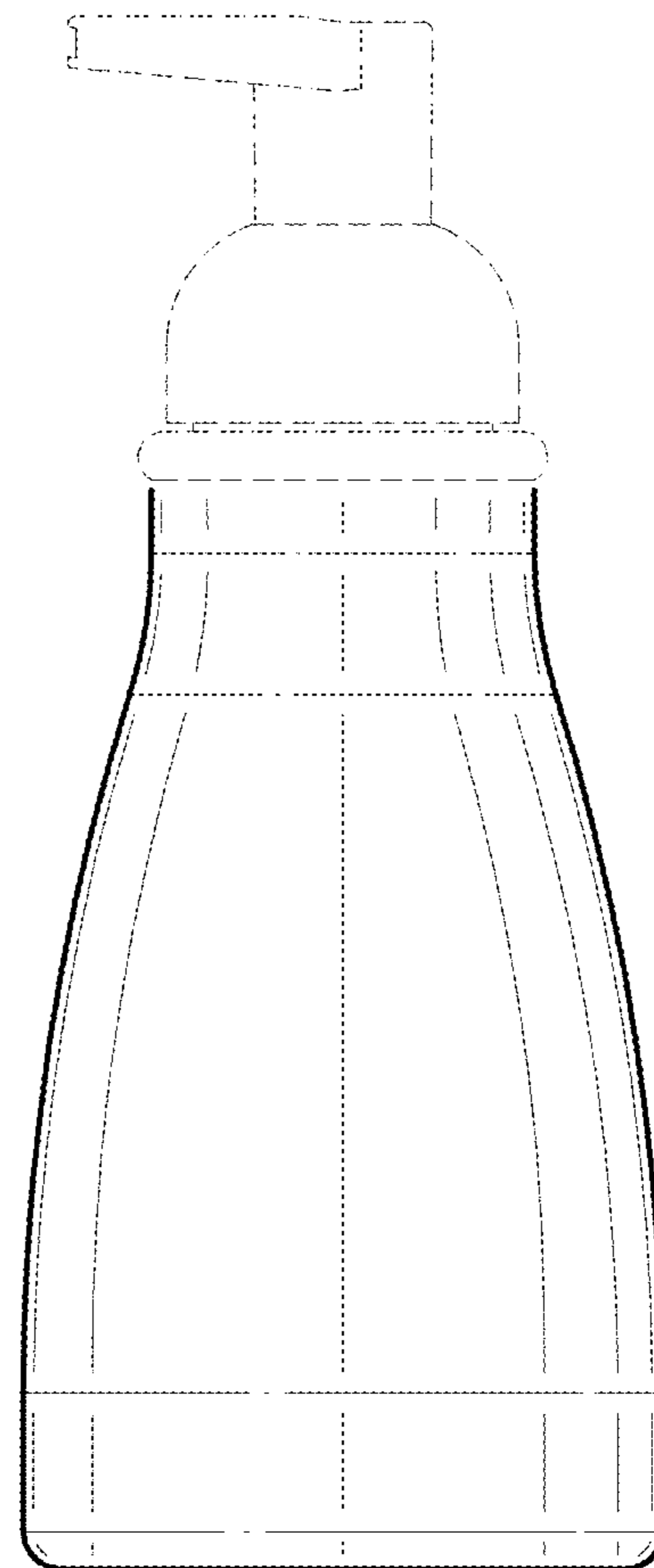
**FIG. 1**



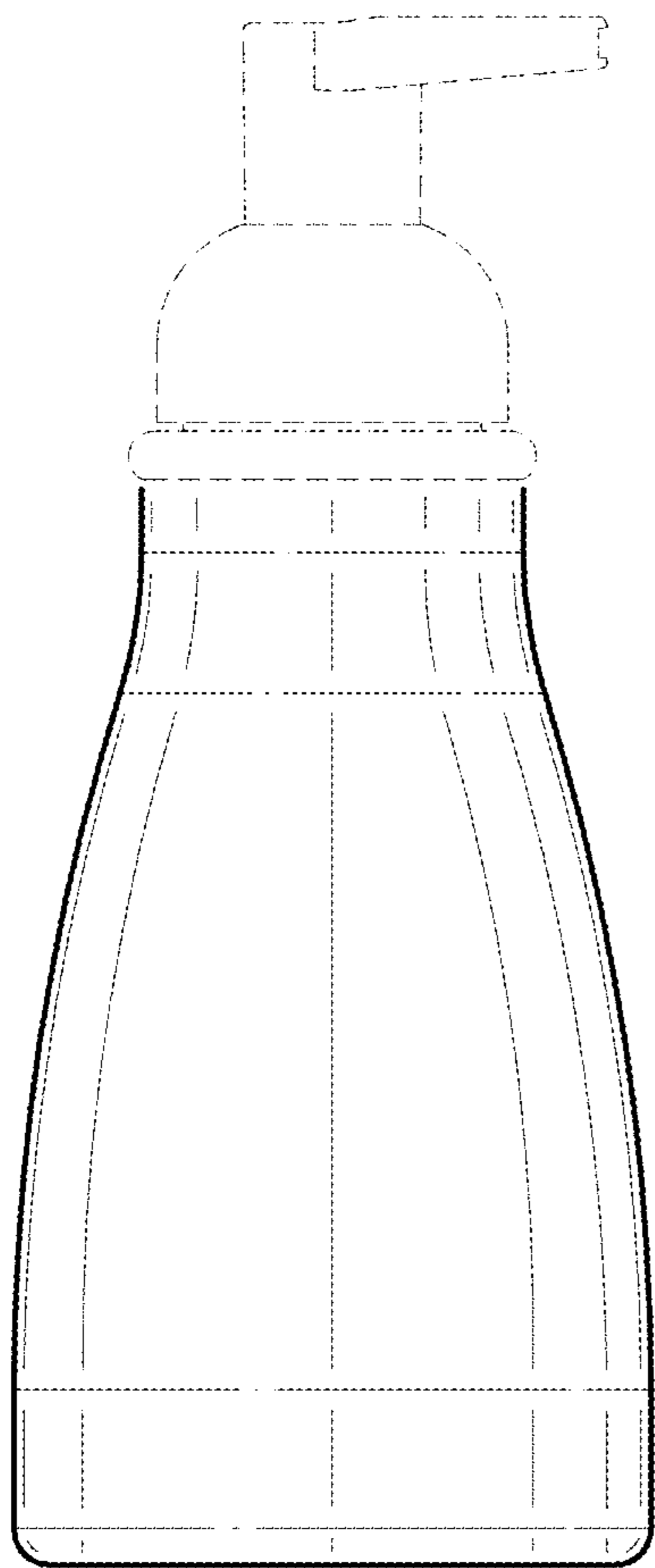
**FIG. 2**



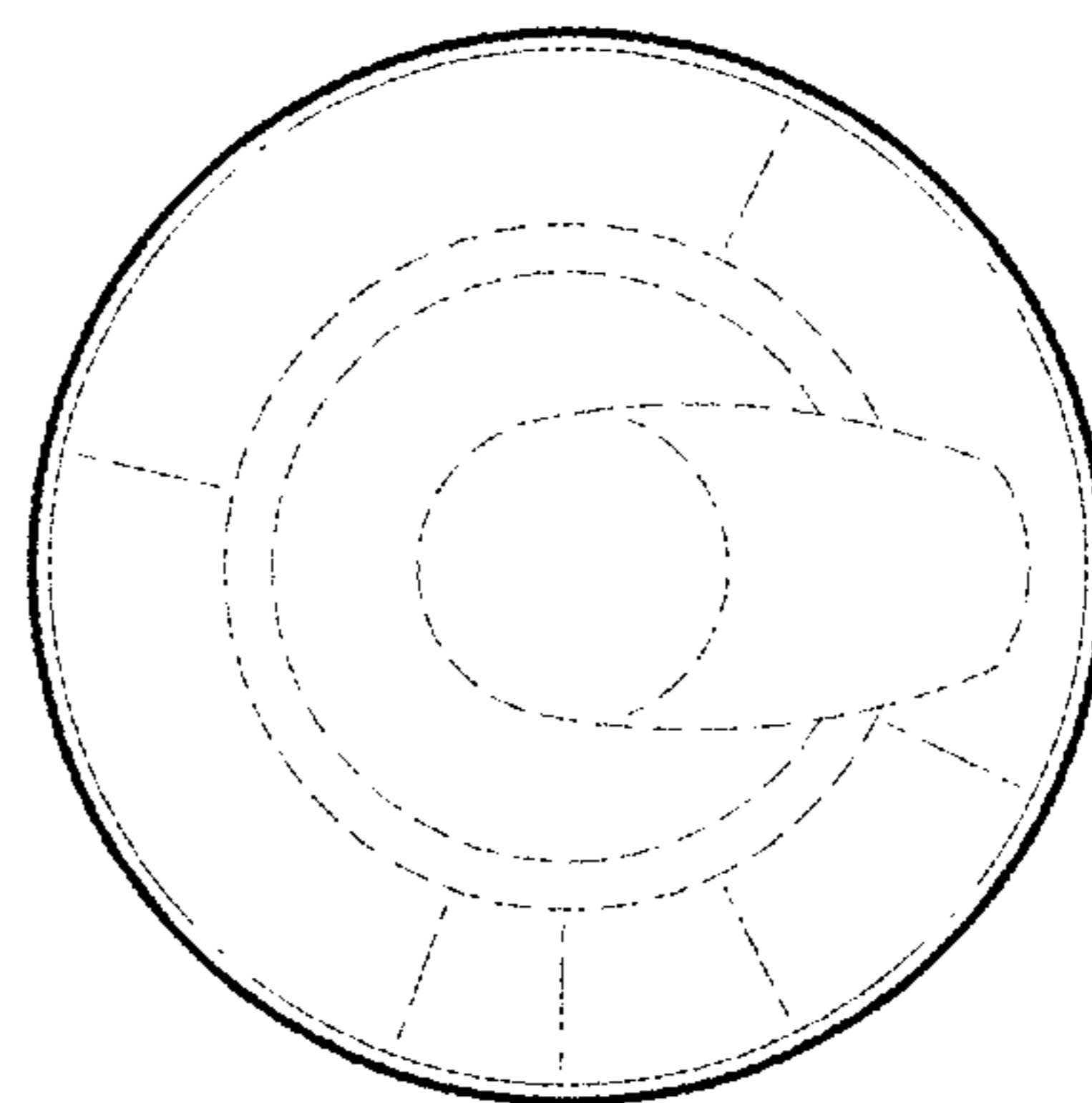
**FIG. 3**



**FIG. 4**



**FIG. 5**



**FIG. 6**