



US00D826056S

(12) **United States Design Patent** (10) **Patent No.:** **US D826,056 S**
Salotti (45) **Date of Patent:** **** Aug. 21, 2018**

(54) **CONTAINER**

FOREIGN PATENT DOCUMENTS

(71) Applicant: **Total SA**, Courbevoie (FR)

EM 000257654-0001 2/2005
EM 301253017-0001 1/2011

(72) Inventor: **Beatrice Salotti**, Paris (FR)

(Continued)

(73) Assignee: **Total SA**, Courbevoie (FR)

OTHER PUBLICATIONS

(**) Term: **15 Years**

Total SA, "Lube Solutions for your car," showing Total Wing 4/5L can, printed from <http://www.lubricants.total.com/consumers/lube-solutions-for-cars.html>.

(21) Appl. No.: **29/589,789**

(Continued)

(22) Filed: **Jan. 4, 2017**

Primary Examiner — Karen S Acker

(30) **Foreign Application Priority Data**

Assistant Examiner — Omeed Agilee

Jul. 4, 2016 (EM) 003283027

(74) *Attorney, Agent, or Firm* — Charles T. J. Weigell;
Fross, Zelnick, Lehrman & Zissu, P.C.

(51) **LOC (11) Cl.** **09-01**

(57) **CLAIM**

(52) **U.S. Cl.**

The ornamental design for a container, as shown and described.

USPC **D9/528**

(58) **Field of Classification Search**

DESCRIPTION

USPC D9/434–435, 439, 447, 449, 450, 452,
D9/454, 516, 520, 522–524, 528–531,
D9/541–544, 549–551, 558–560, 563,
D9/565–566, 571–575, 682, 686, 687,
D9/693–694, 715, 719; D7/300, 300.1,
D7/316, 317, 598; D23/211, 225
CPC ... B65D 1/00; B65D 1/02; B65D 1/12; B65D
1/18; B65D 1/20; B65D 1/0223; B65D
23/00; B65D 21/0237; B65D 2501/0009;
B65D 2501/0081

FIG. 1 is a front, top, and left perspective view of a container showing my new design;
FIG. 2 is a front, top, and right perspective view thereof;
FIG. 3 is a back, top, and right perspective view thereof;
FIG. 4 is a back, top, and left perspective view thereof;
FIG. 5 is a front and left perspective view thereof;
FIG. 6 is a back and right perspective view thereof;
FIG. 7 is a left side view thereof;
FIG. 8 is a right side view thereof;
FIG. 9 is a front view thereof;
FIG. 10 is a back view thereof;
FIG. 11 is a top view thereof; and,
FIG. 12 is a bottom view thereof.

See application file for complete search history.

The broken lines shown in FIGS. 1-4 and 11 denote the boundaries of the claim and form no part thereof and the area within those boundaries form no part of the claimed design. The broken lines and the areas in FIG. 12 depict portions of the container that form no part of the claimed design.

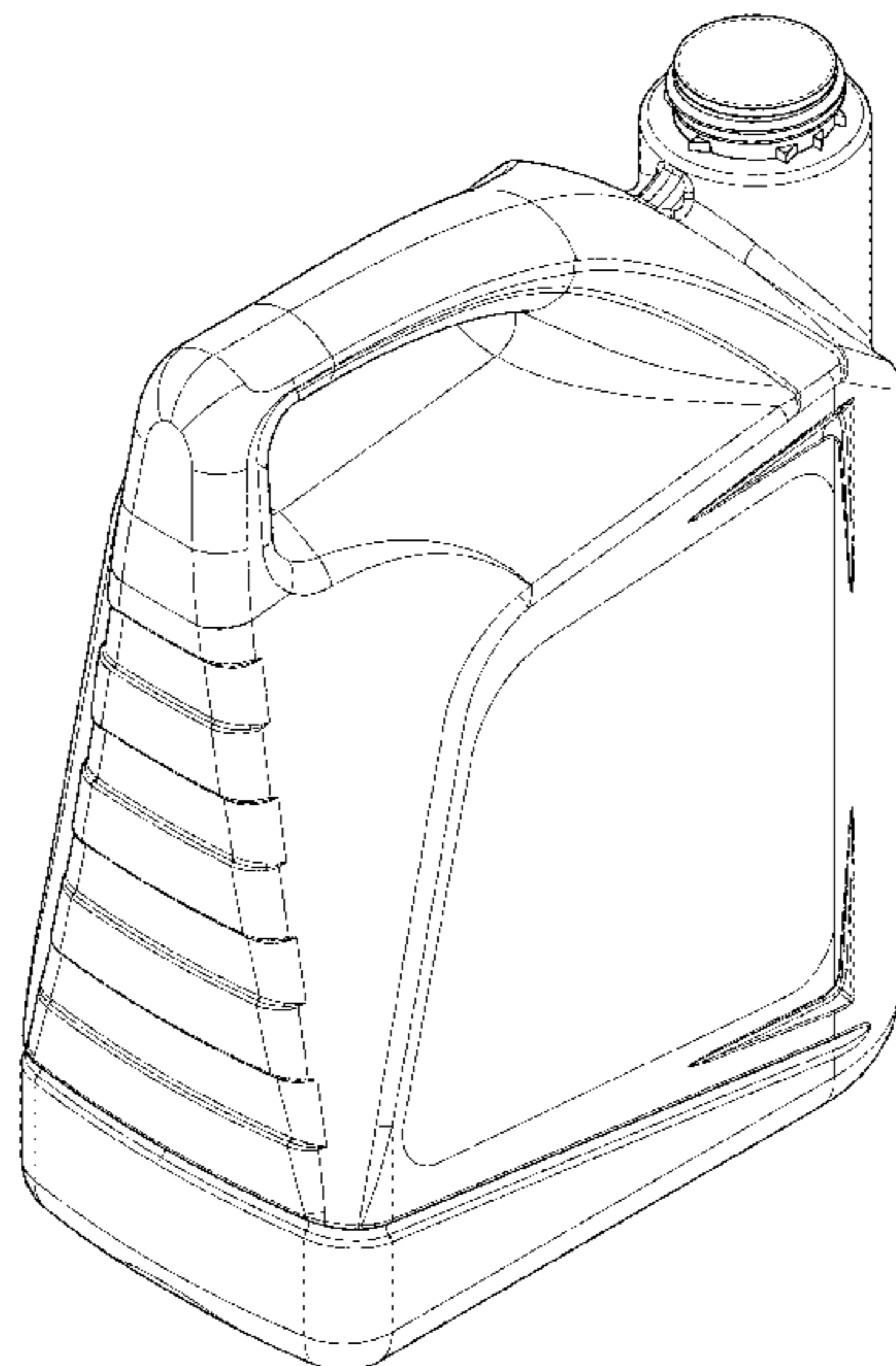
(56) **References Cited**

U.S. PATENT DOCUMENTS

D286,615 S * 11/1986 Lyons D9/520
D324,495 S * 3/1992 Warrington D9/528
D347,387 S * 5/1994 Bridger D9/520

(Continued)

1 Claim, 12 Drawing Sheets



(56)

References Cited

U.S. PATENT DOCUMENTS

D490,319	S	*	5/2004	Wiper	D9/528
D507,183	S	*	7/2005	Spellissy	D9/430
D514,941	S	*	2/2006	Darr	D9/523
D520,368	S	*	5/2006	Dorn	D9/520
D521,870	S	*	5/2006	Miller	D9/528
D526,203	S	*	8/2006	Mishra	D9/527
D573,885	S	*	7/2008	Considine	B65D 25/2894
					D9/528
D608,208	S	*	1/2010	Vaughan	D9/533
D622,596	S	*	8/2010	Miller	D9/528
D629,694	S	*	12/2010	Heisner	D9/528
D660,163	S	*	5/2012	Miller	D9/528
D766,723	S	*	9/2016	Hawry	D9/523

FOREIGN PATENT DOCUMENTS

IN	256753	*	9/2013
JP	D2015-3886	*	2/2015

OTHER PUBLICATIONS

Total SA, "Catalogo Gulf 2014-2015," showing Total Gulf 4/5L can, printed from http://www4.total.fr/Europe/Spain/PDF/Catalogo_GULF_2014-2015.pdf.

Total SA, drawings excerpted from France Design Application No. 04 3409, filed on Jul. 8, 2004, showing Total Gulf 4/5L can.

* cited by examiner

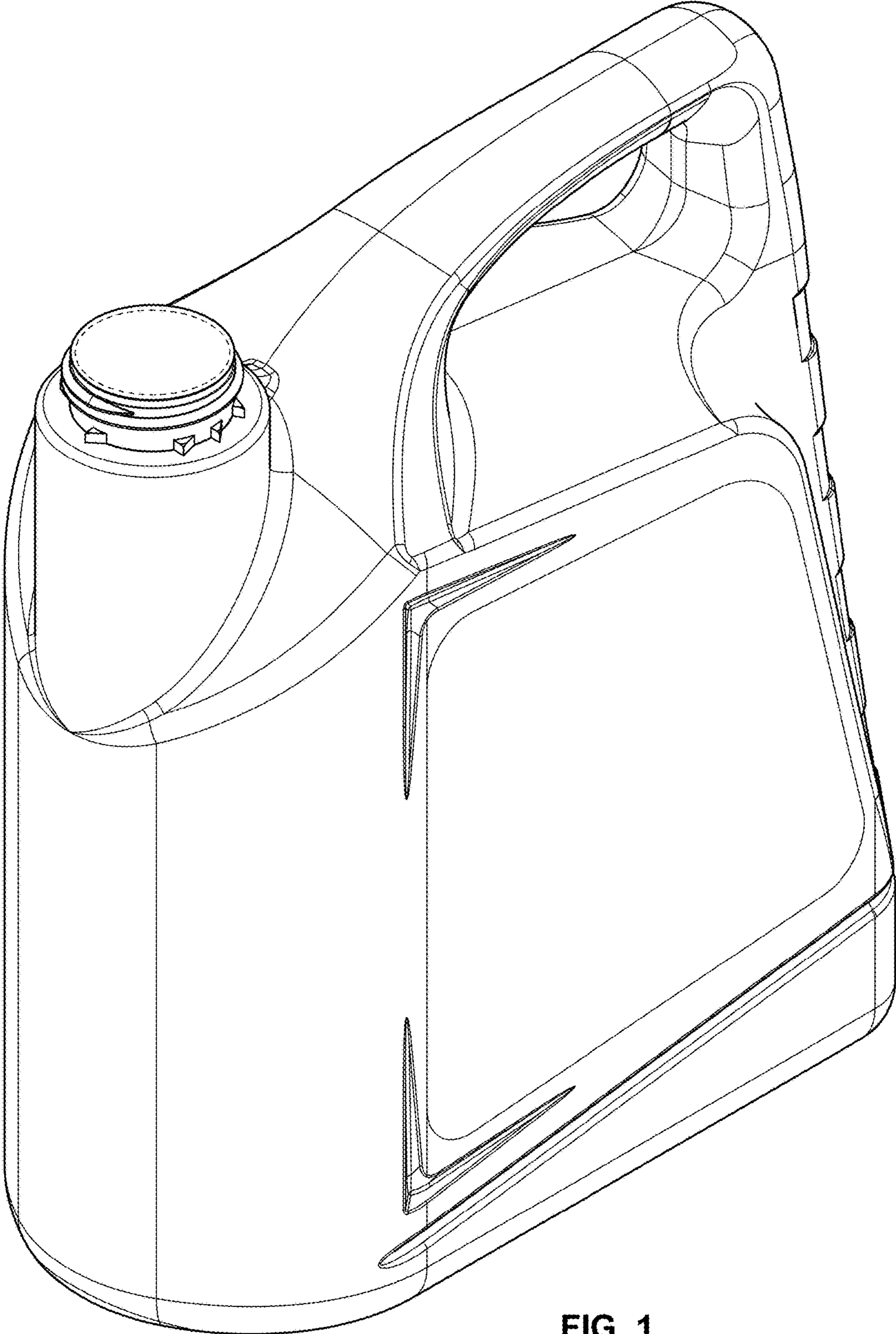


FIG. 1

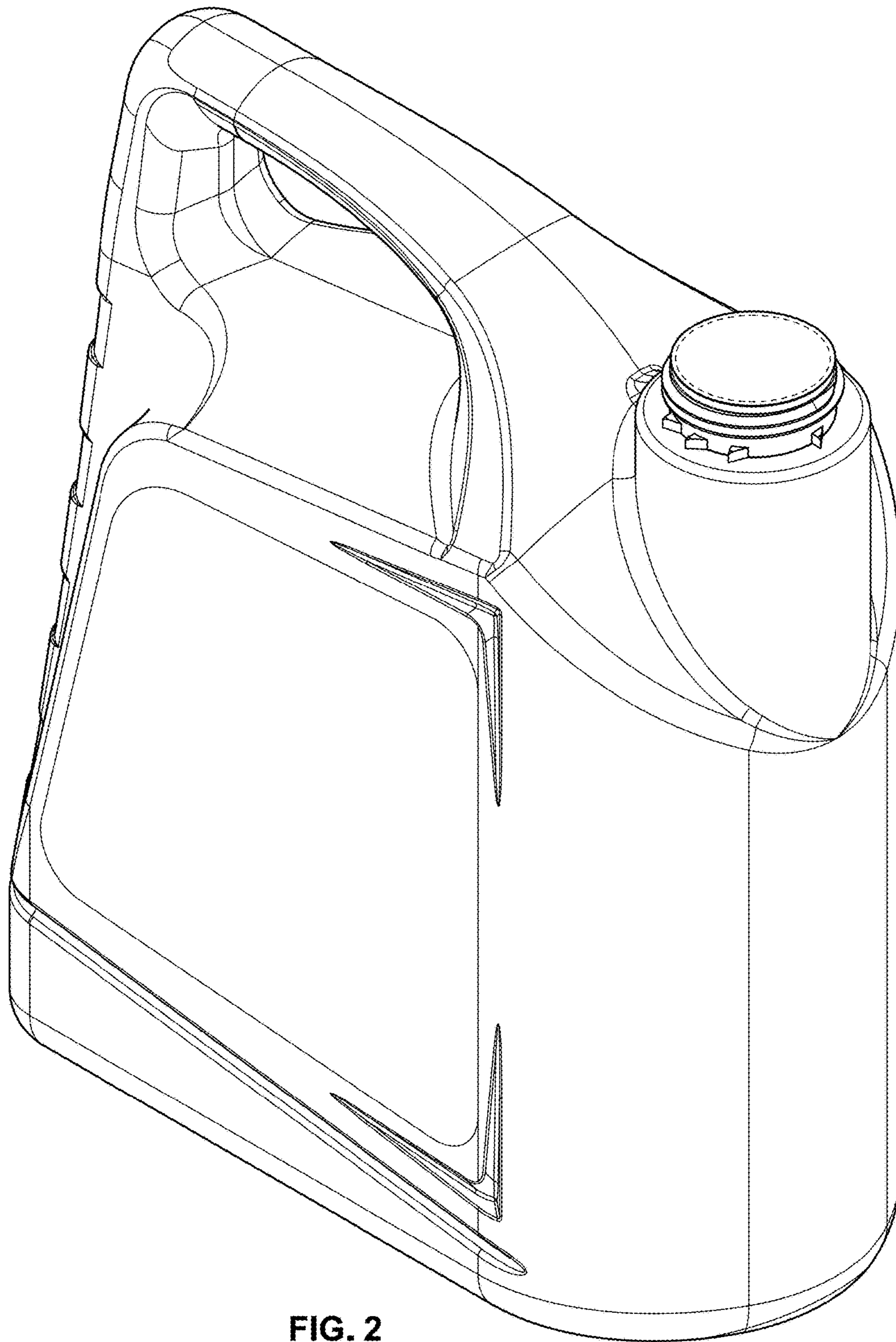


FIG. 2

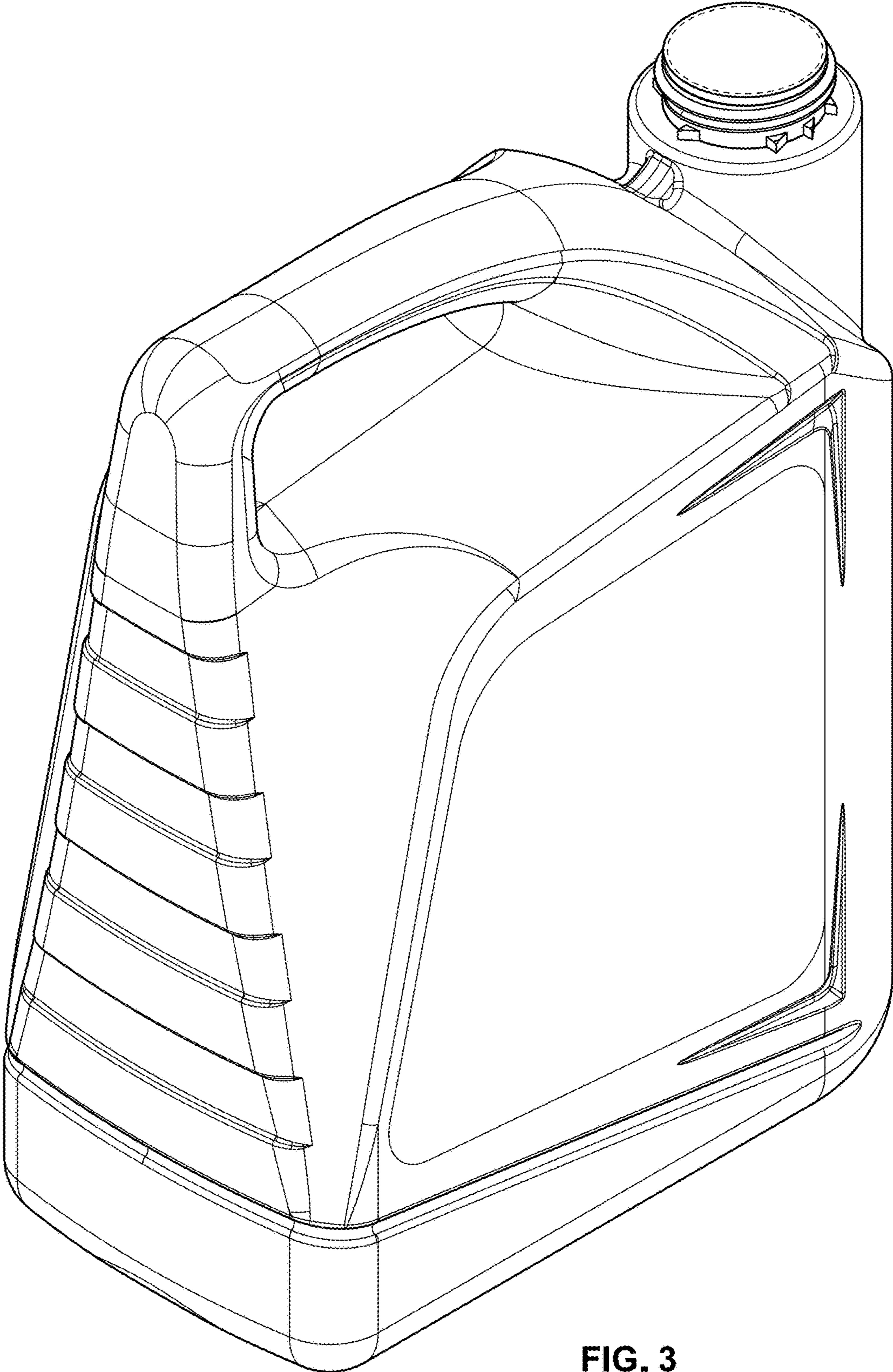


FIG. 3

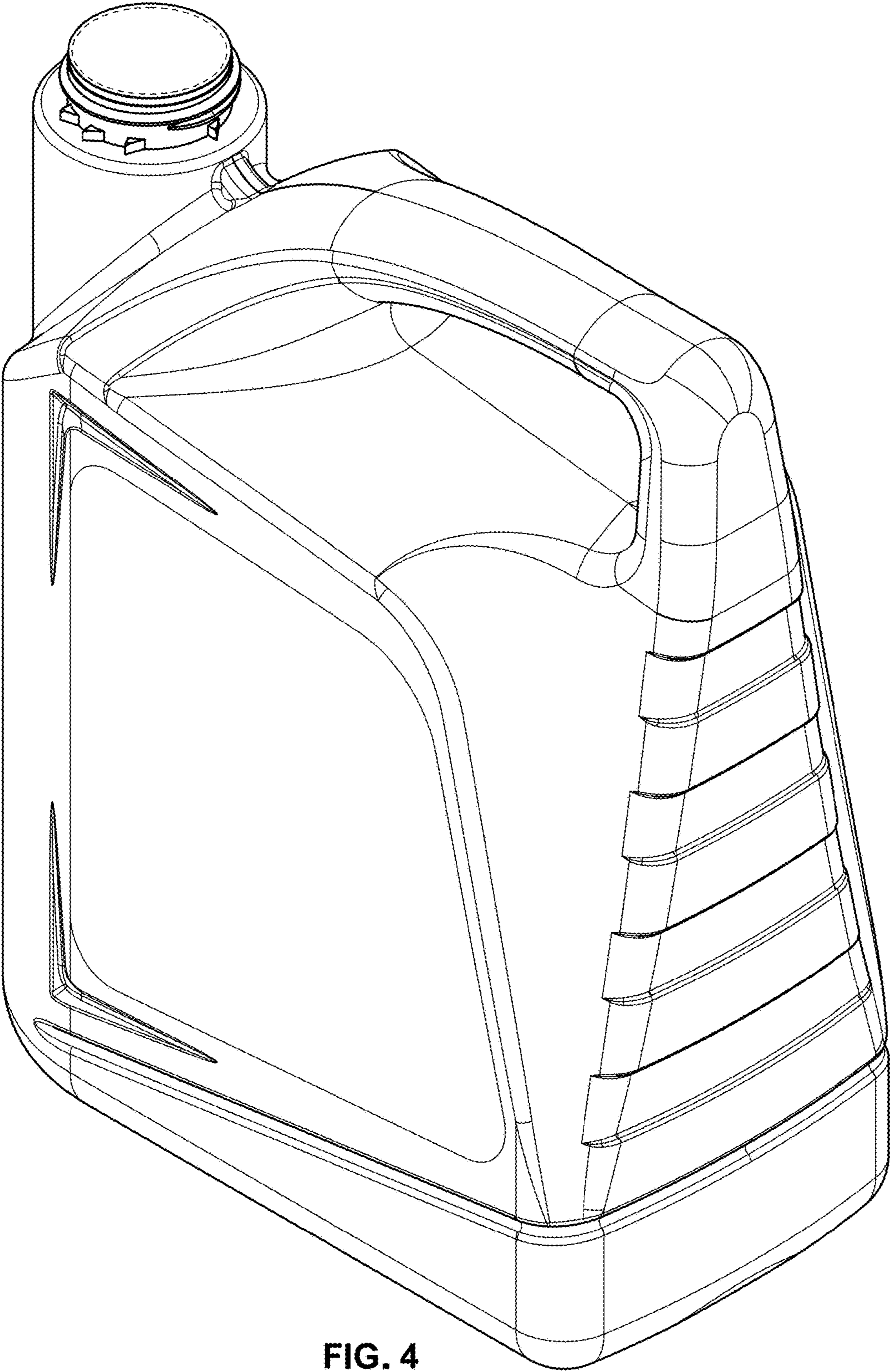


FIG. 4

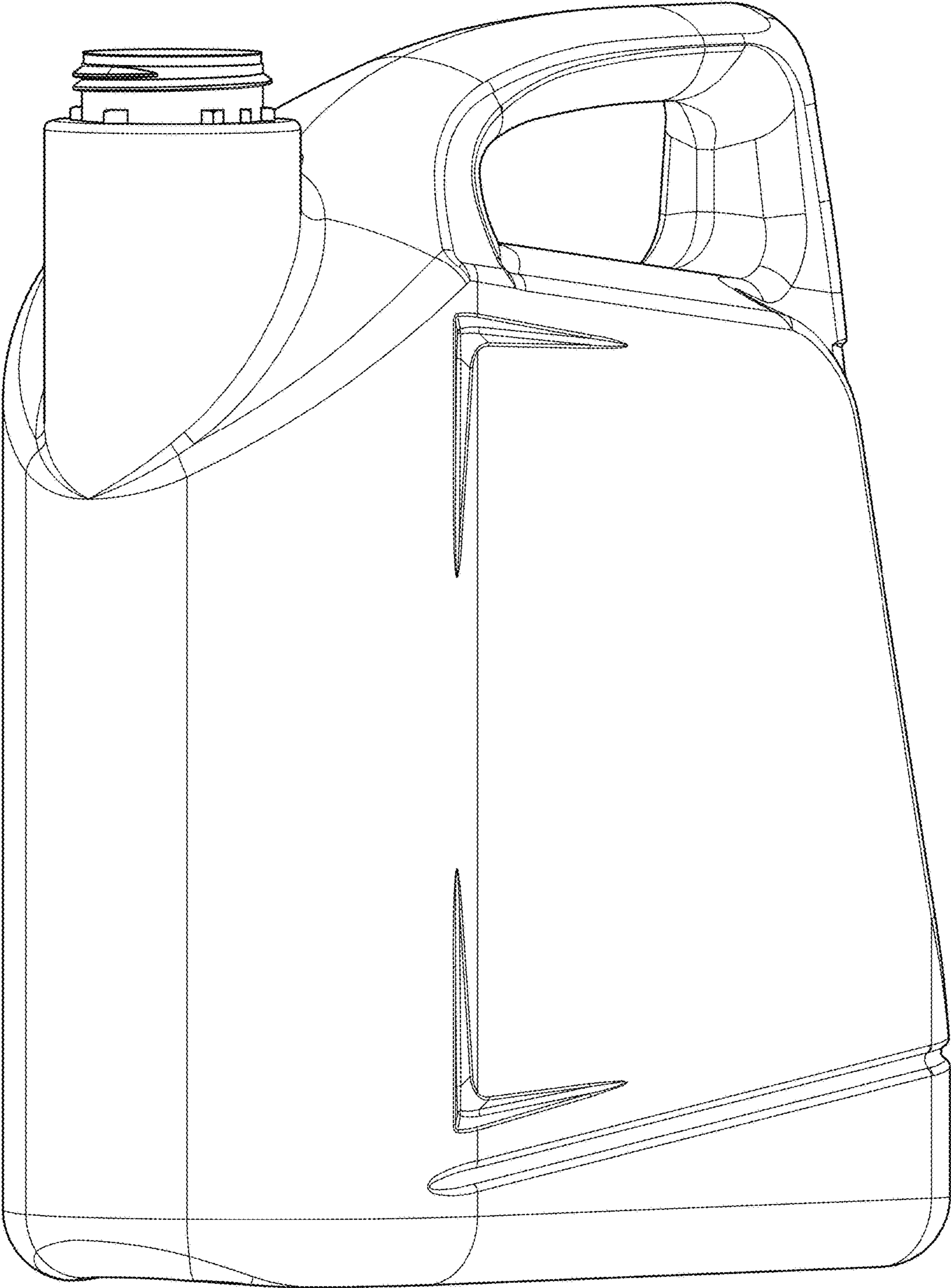


FIG. 5

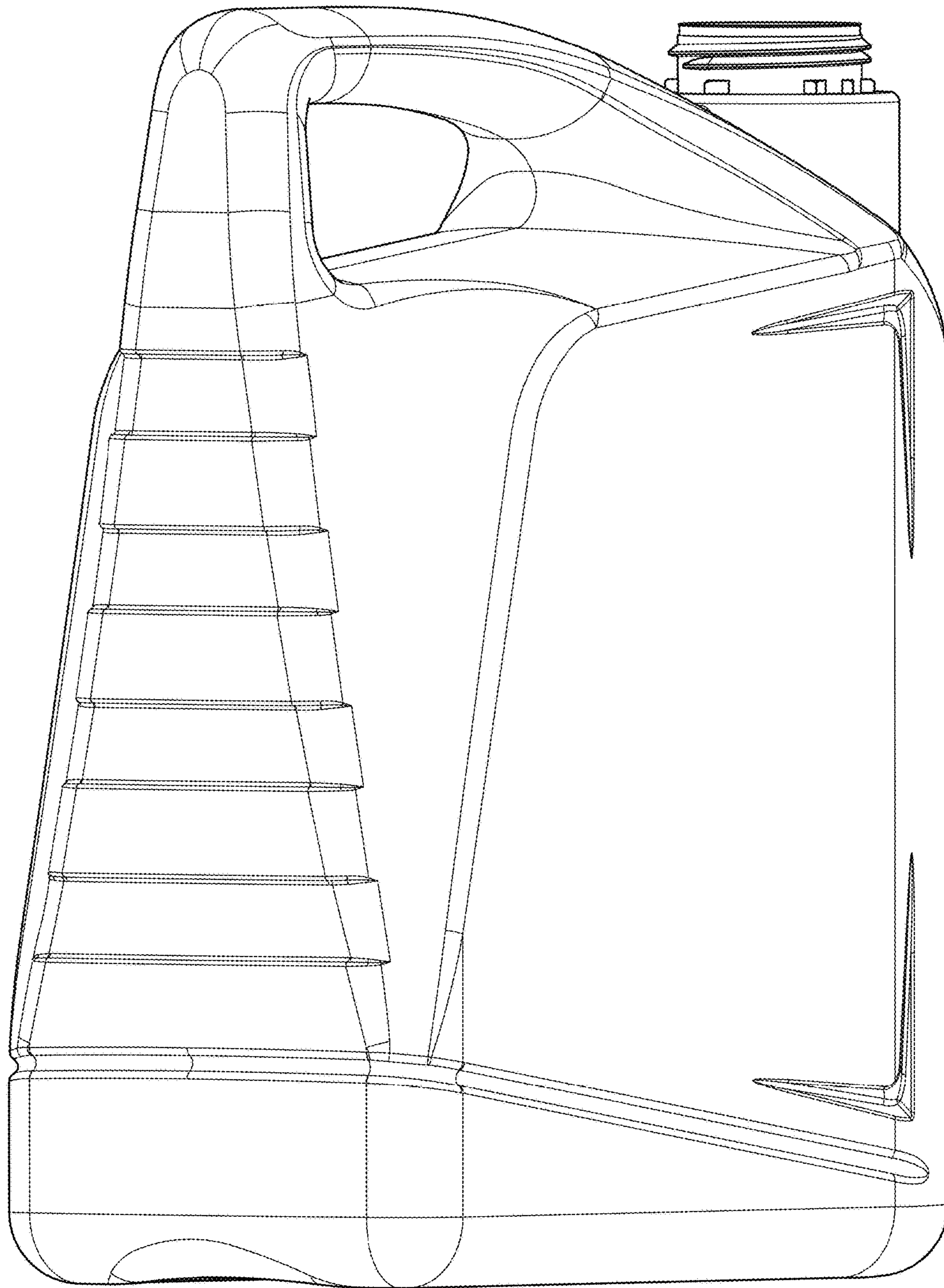


FIG. 6

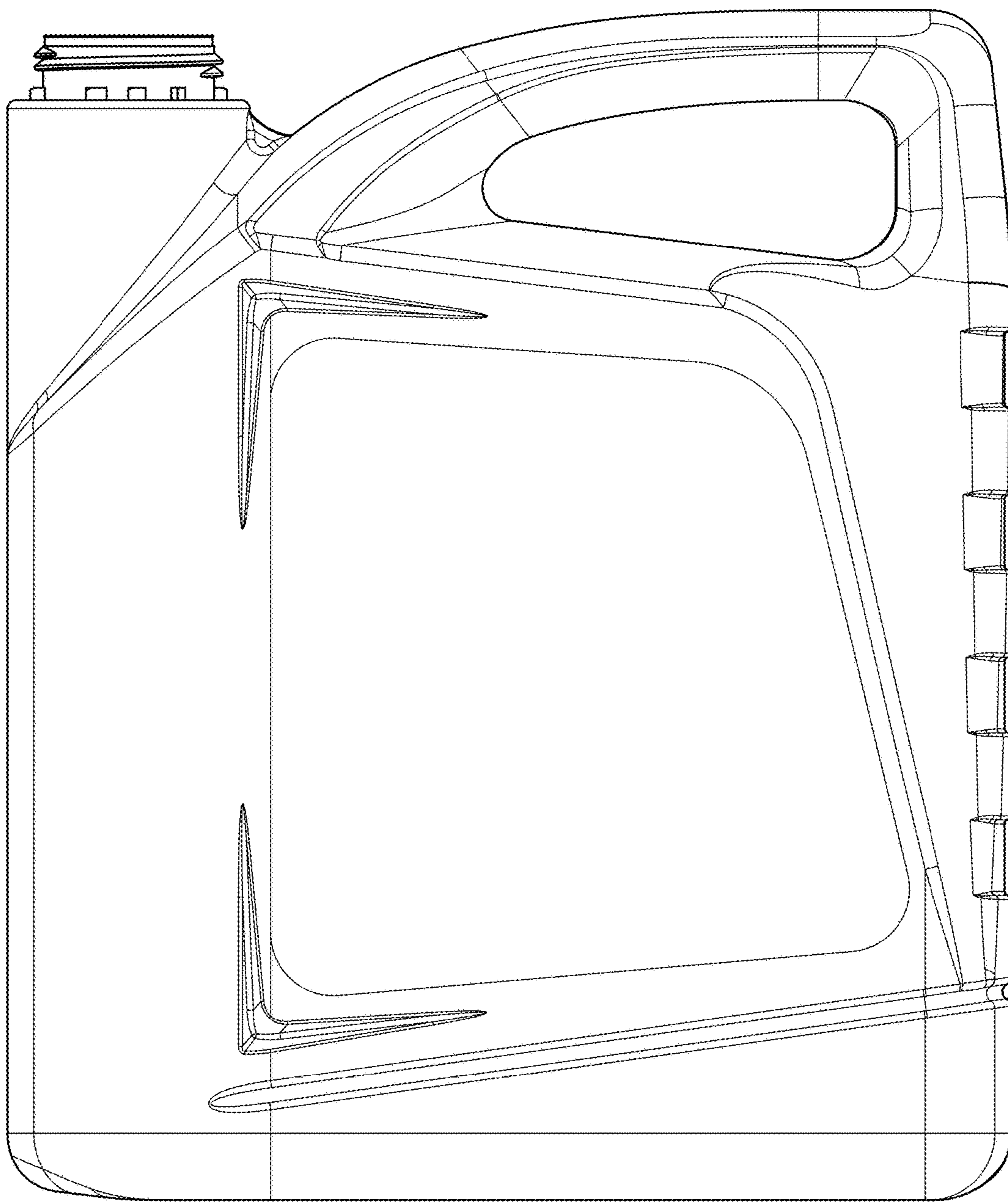


FIG. 7

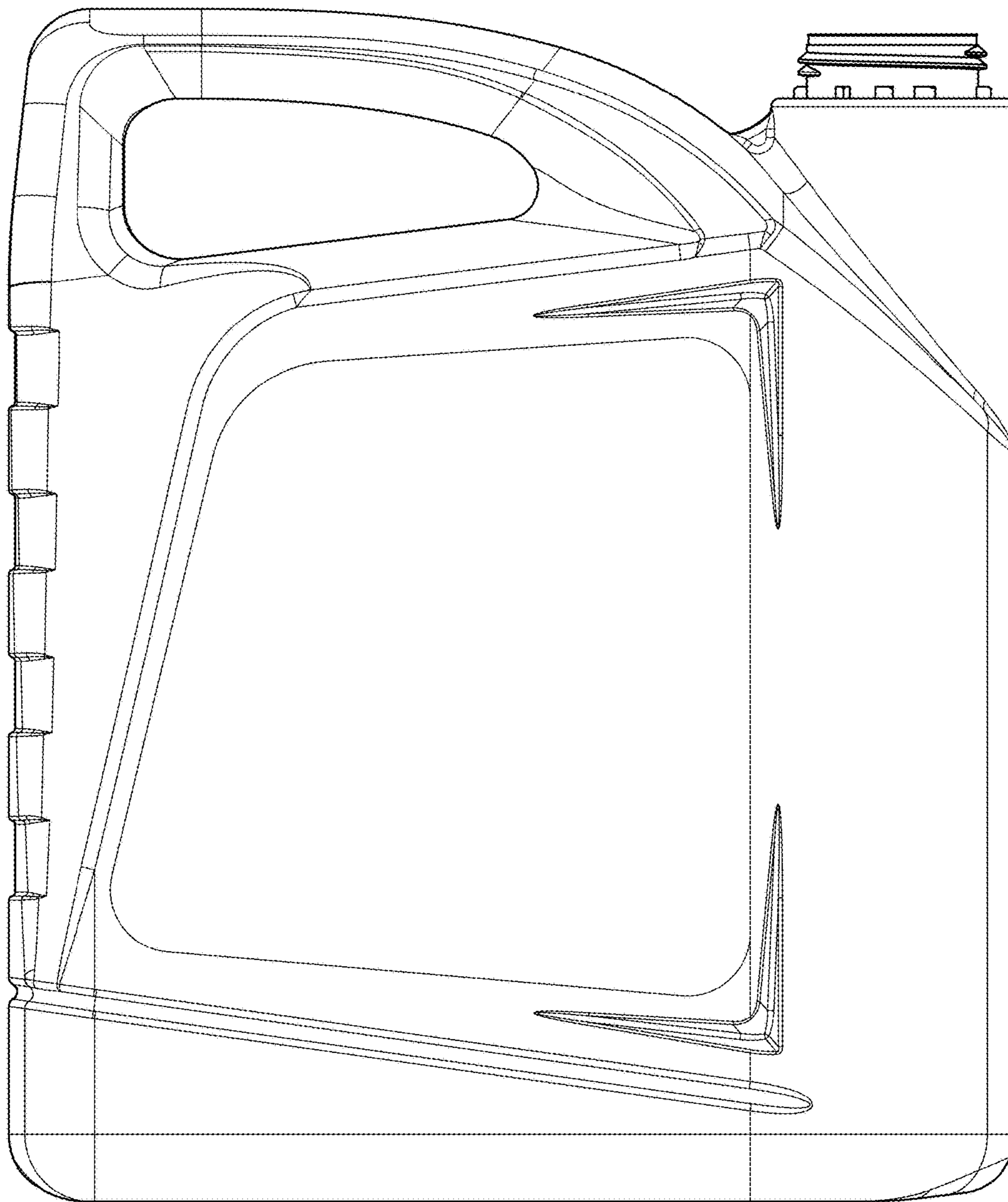


FIG. 8

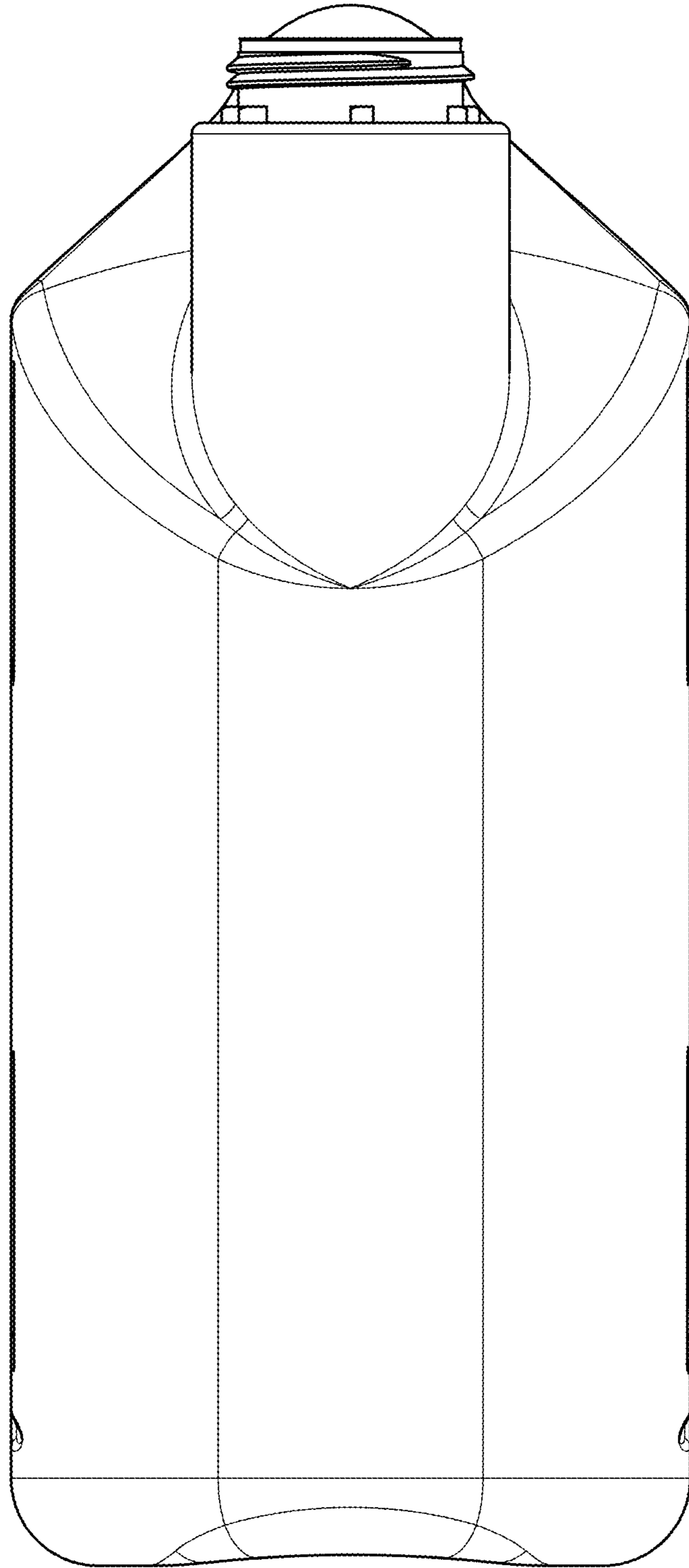


FIG. 9

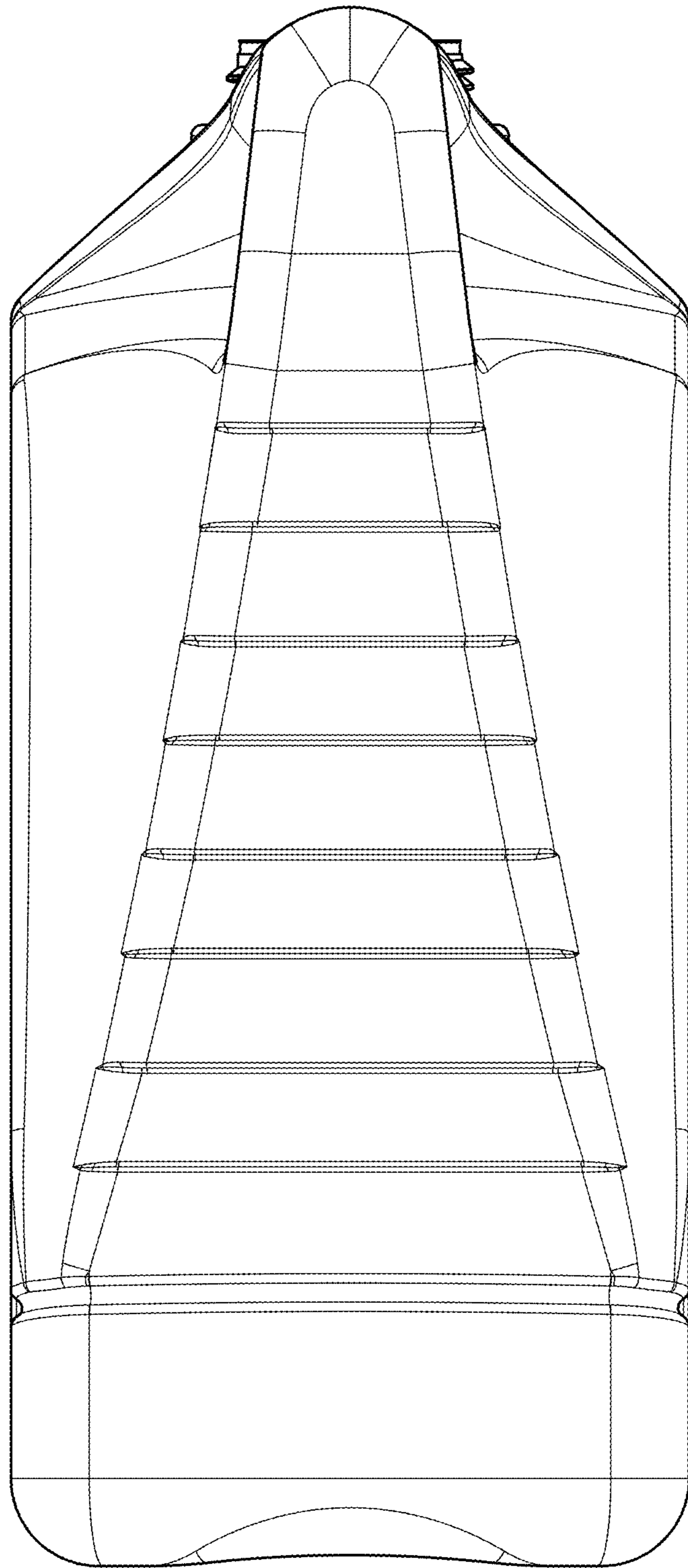


FIG. 10

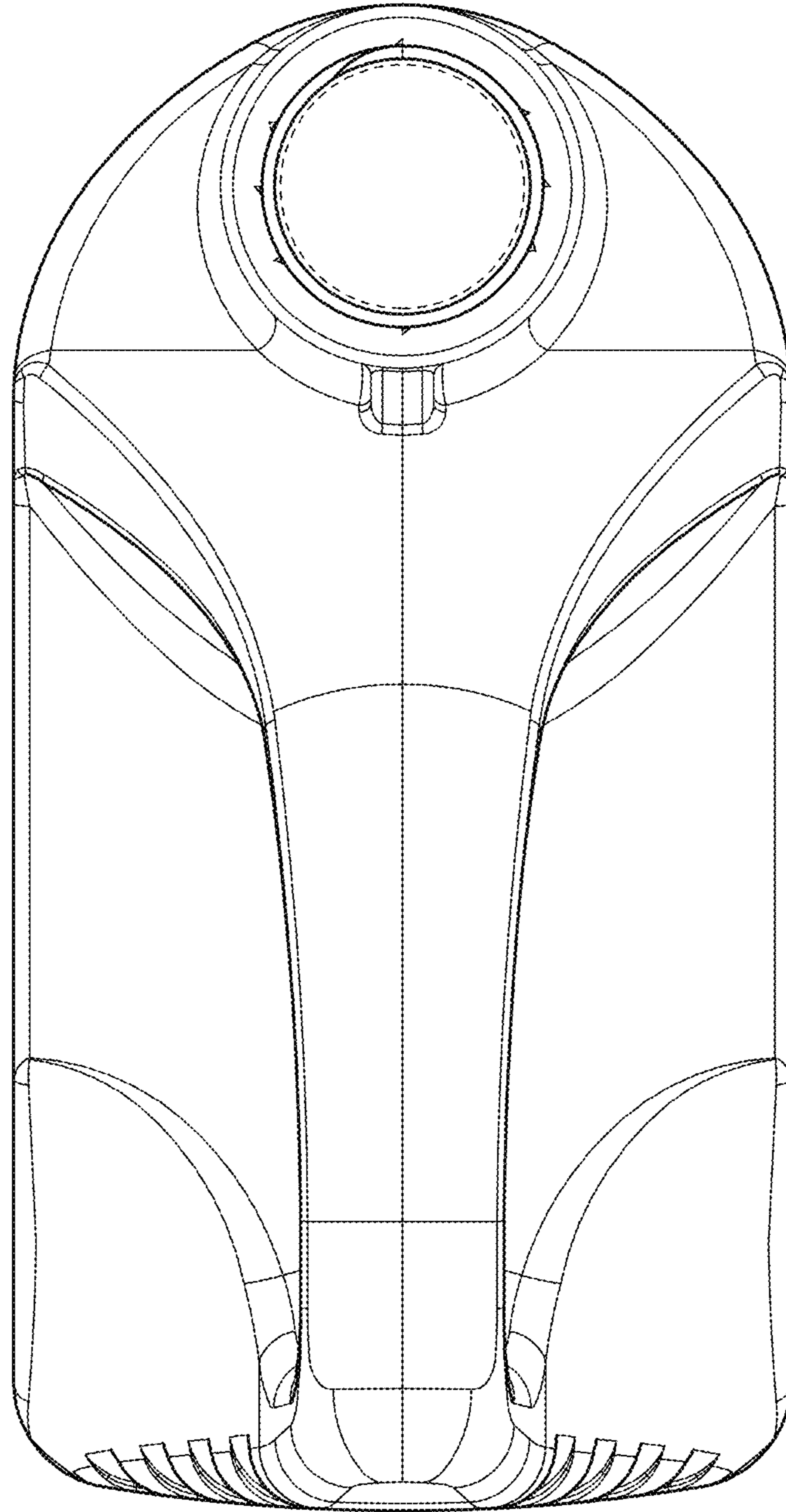


FIG. 11

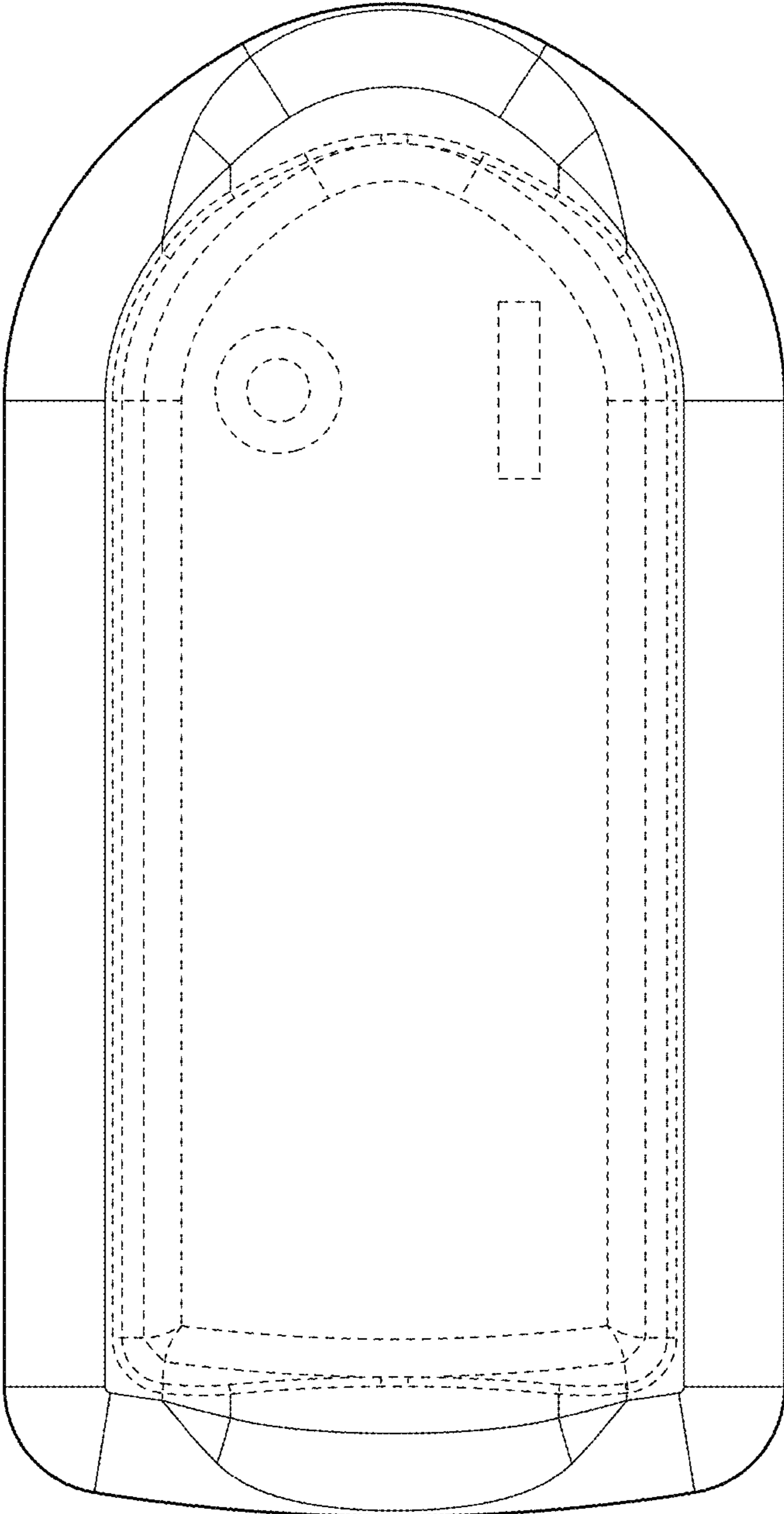


FIG. 12