



US00D826055S

(12) **United States Design Patent** (10) **Patent No.:** **US D826,055 S**
Augustyniak et al. (45) **Date of Patent:** **** *Aug. 21, 2018**

(54) **PACKAGING**

(71) Applicant: **Louis Vuitton Malletier**, Paris (FR)

(72) Inventors: **Mathias Augustyniak**, Paris (FR);
Michaël Amzalag, Paris (FR)

(73) Assignee: **LOUIS VUITTON MALLETIER**,
Paris (FR)

(*) Notice: This patent is subject to a terminal disclaimer.

(**) Term: **15 Years**

(21) Appl. No.: **29/585,976**

(22) Filed: **Nov. 30, 2016**

(30) **Foreign Application Priority Data**

Jun. 1, 2016 (FR) 2016-2871

(51) **LOC (11) Cl.** **09-01**

(52) **U.S. Cl.**
USPC **D9/504**

(58) **Field of Classification Search**

USPC D9/414, 430, 500-504, 715, 721;
D3/201, 205, 206, 273, 274, 276, 290,
(Continued)

(56) **References Cited**

U.S. PATENT DOCUMENTS

2,147,263 A * 2/1939 Mills B65D 7/22
220/366.1

2,196,486 A * 4/1940 Anderson B65D 7/22
215/12.1

(Continued)

OTHER PUBLICATIONS

Design U.S. Appl. No. 29/586,158, filed Dec. 1, 2016.

Design U.S. Appl. No. 29/585,974, filed Nov. 30, 2016.
Design U.S. Appl. No. 29/586,159, filed Dec. 1, 2016.

Primary Examiner — Lauren R Calve

(74) *Attorney, Agent, or Firm* — Finnegan, Henderson,
Farabow, Garrett & Dunner LLP

(57) **CLAIM**

The ornamental design for packaging, as shown and described.

DESCRIPTION

The patent or application file contains at least one image executed in color. Copies of this patent or patent application publication with color photograph(s) will be provided by the Office upon request and payment of the necessary fee.

FIG. 1 is an exploded front top perspective view of packaging showing our new design;

FIG. 2 is a second exploded front elevation view thereof, the rear exploded elevational view being a mirror image thereof;

FIG. 3 is a left side view thereof, the right side view being a mirror image thereof;

FIG. 4 is the exploded front top perspective view of FIG. 1 shown in environmental use;

FIG. 5 is a front top perspective view of packaging shown in a closed position; and

FIG. 6 is top plan view thereof; and,

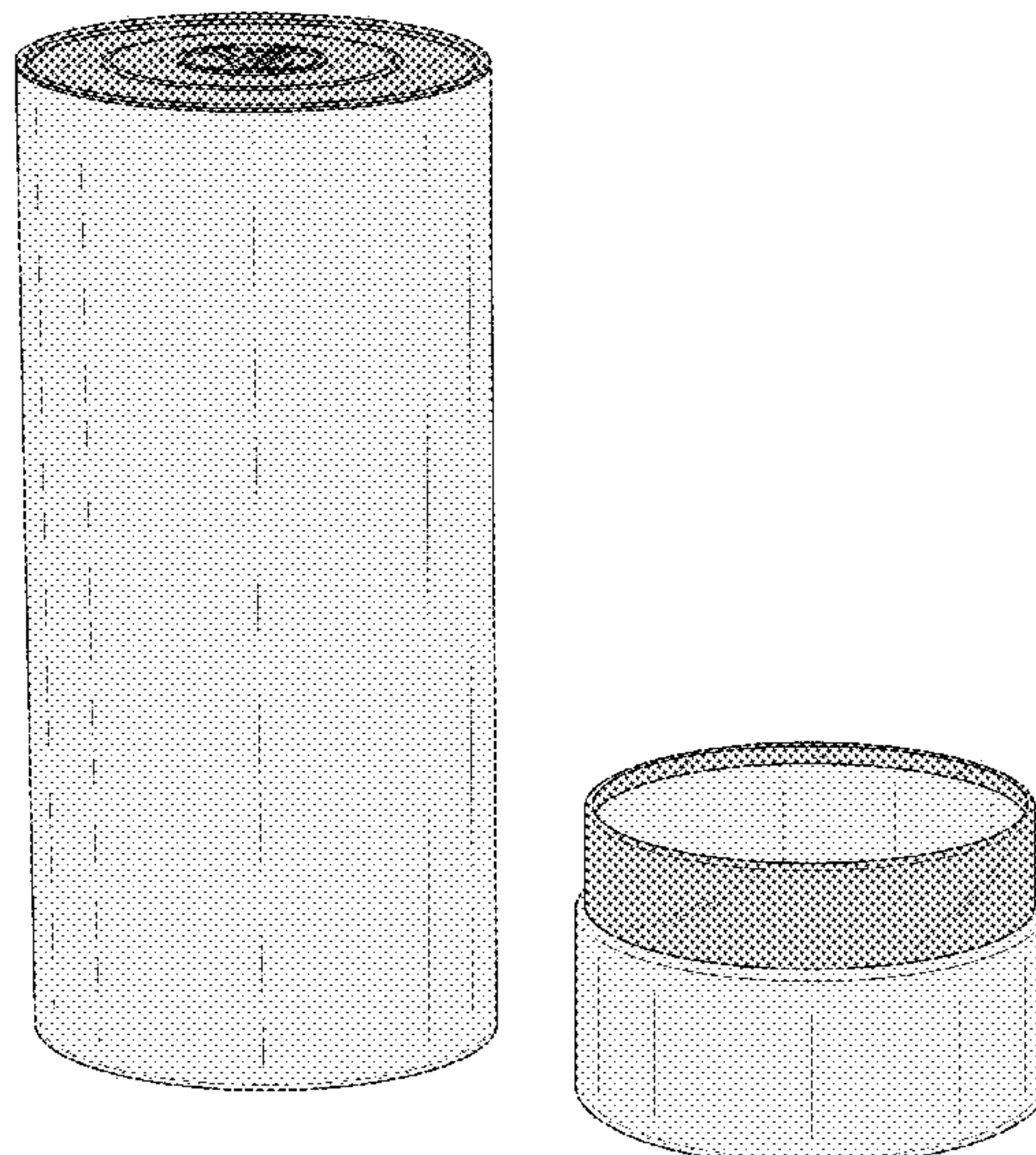
FIG. 7 is a bottom plan view thereof.

The “LV” trademark shown in the figures is a registered trademark of Louis Vuitton Malletier that forms part of the claimed design.

The dashed lines shown in FIG. 4 represents environmental subject matter that forms no part of the claimed design. The interior portion of the packaging that is not visible in FIGS. 1 and 4 forms no part of the claimed design.

The diagonal shading lines in FIGS. 1-6 indicate a reflective surface.

1 Claim, 7 Drawing Sheets
(7 of 7 Drawing Sheet(s) Filed in Color)



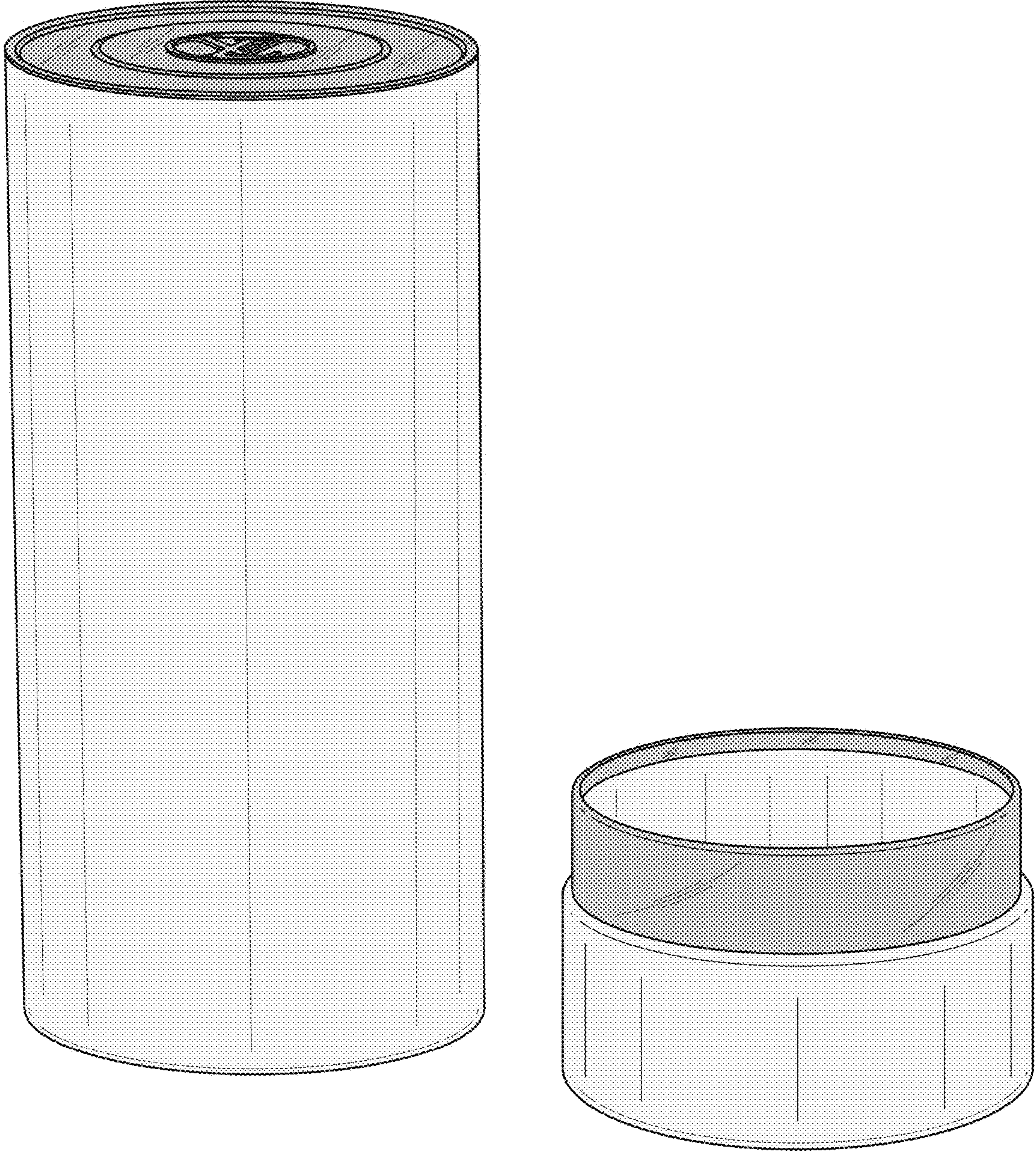


FIG. 1

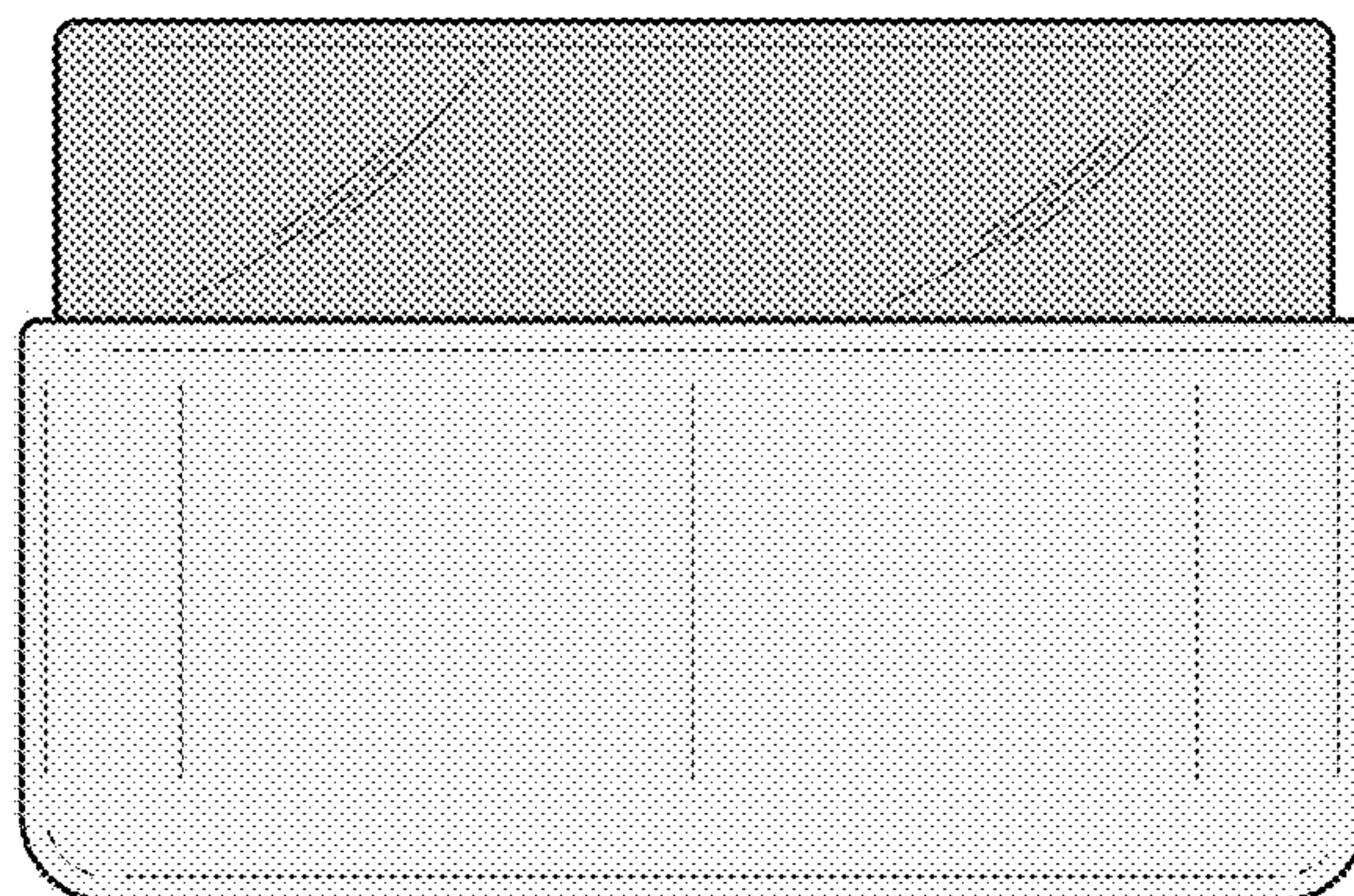
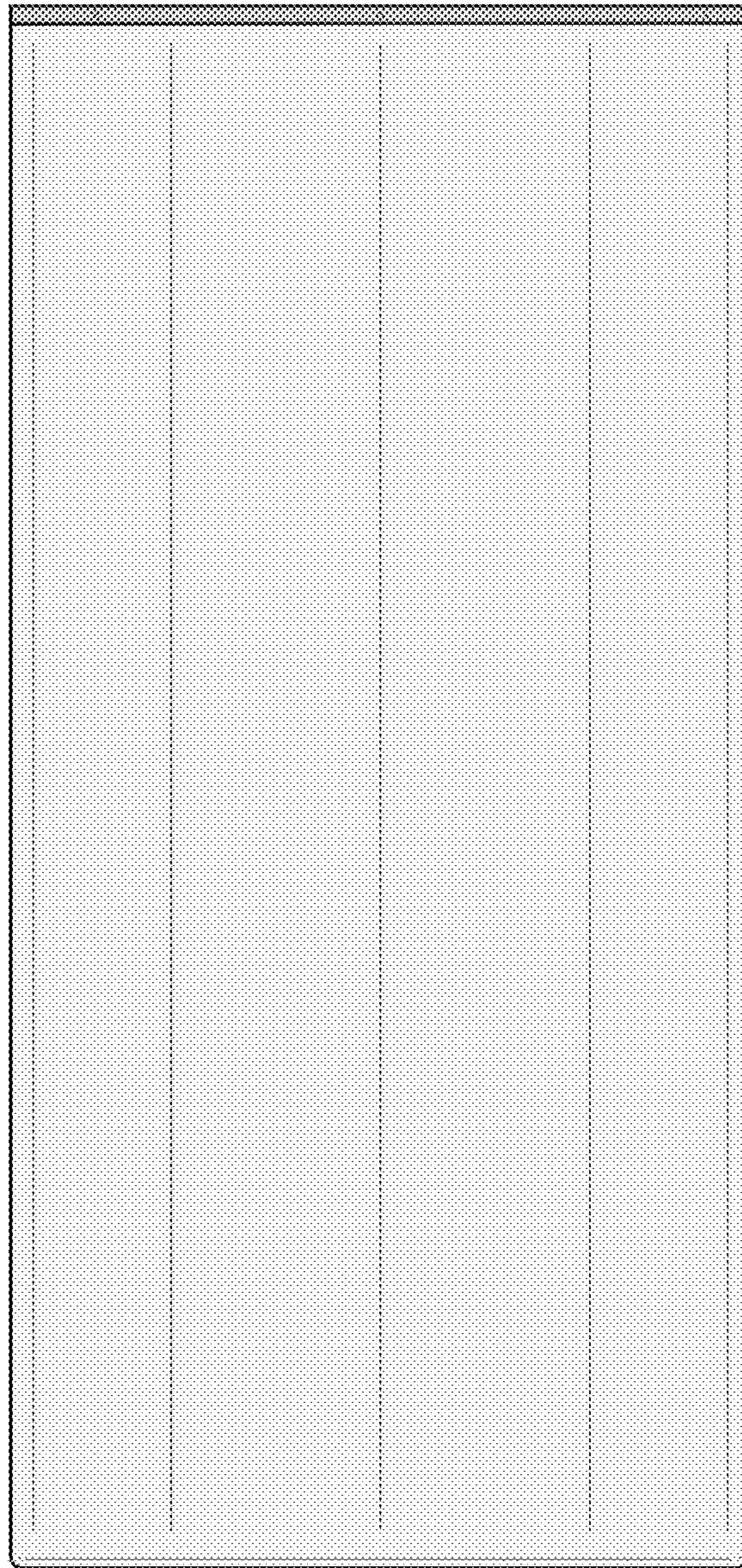


FIG. 2

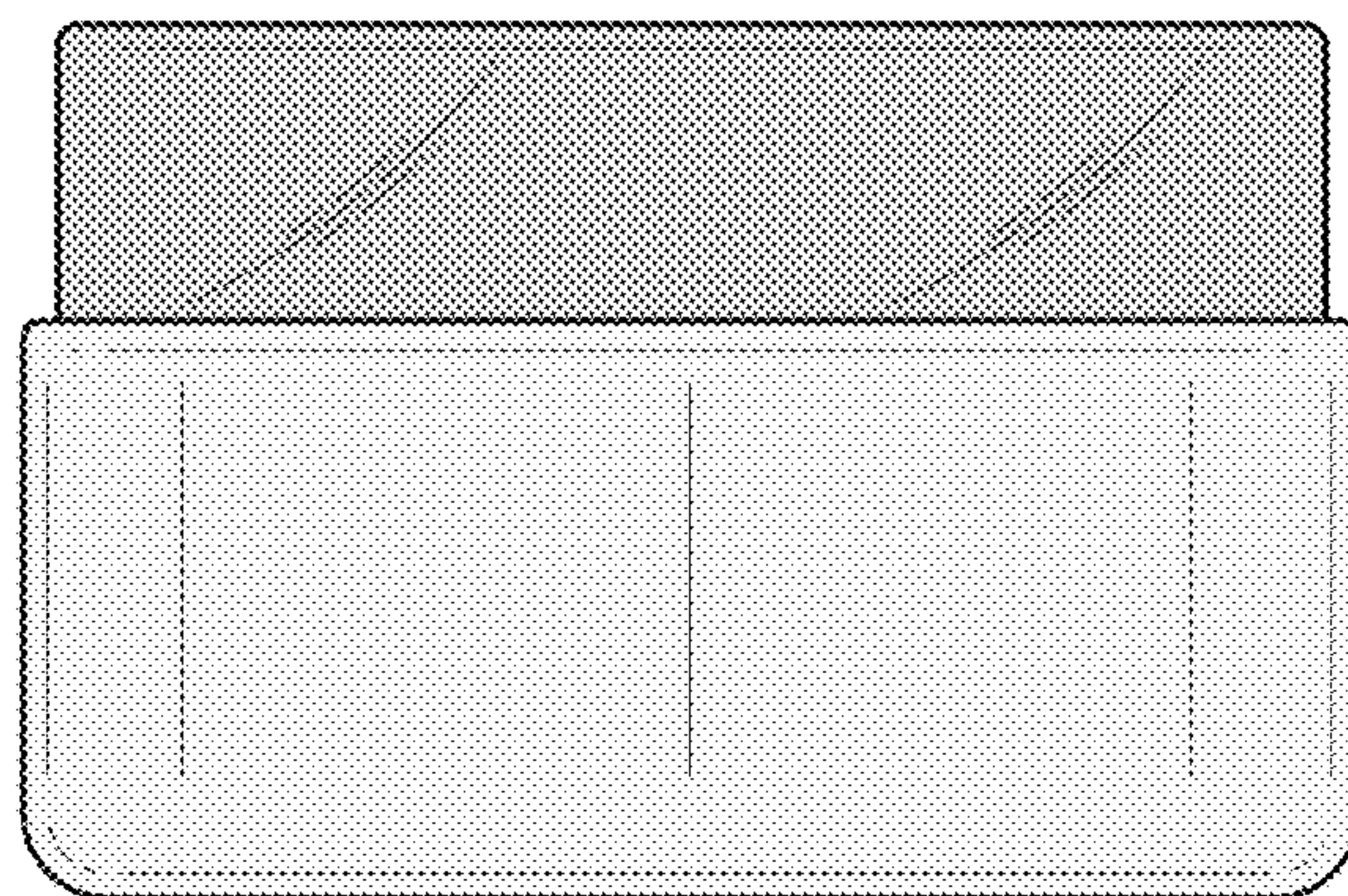
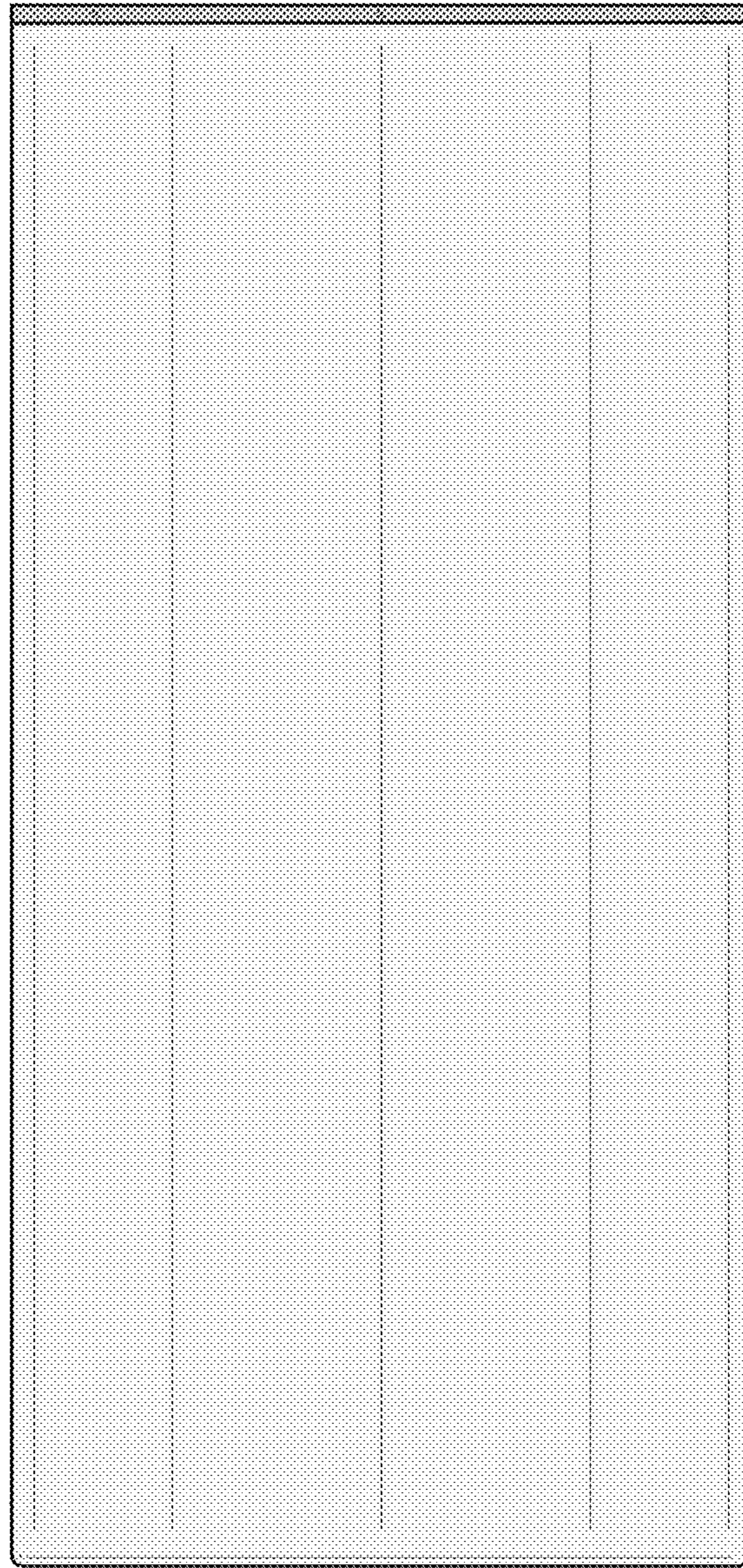


FIG. 3

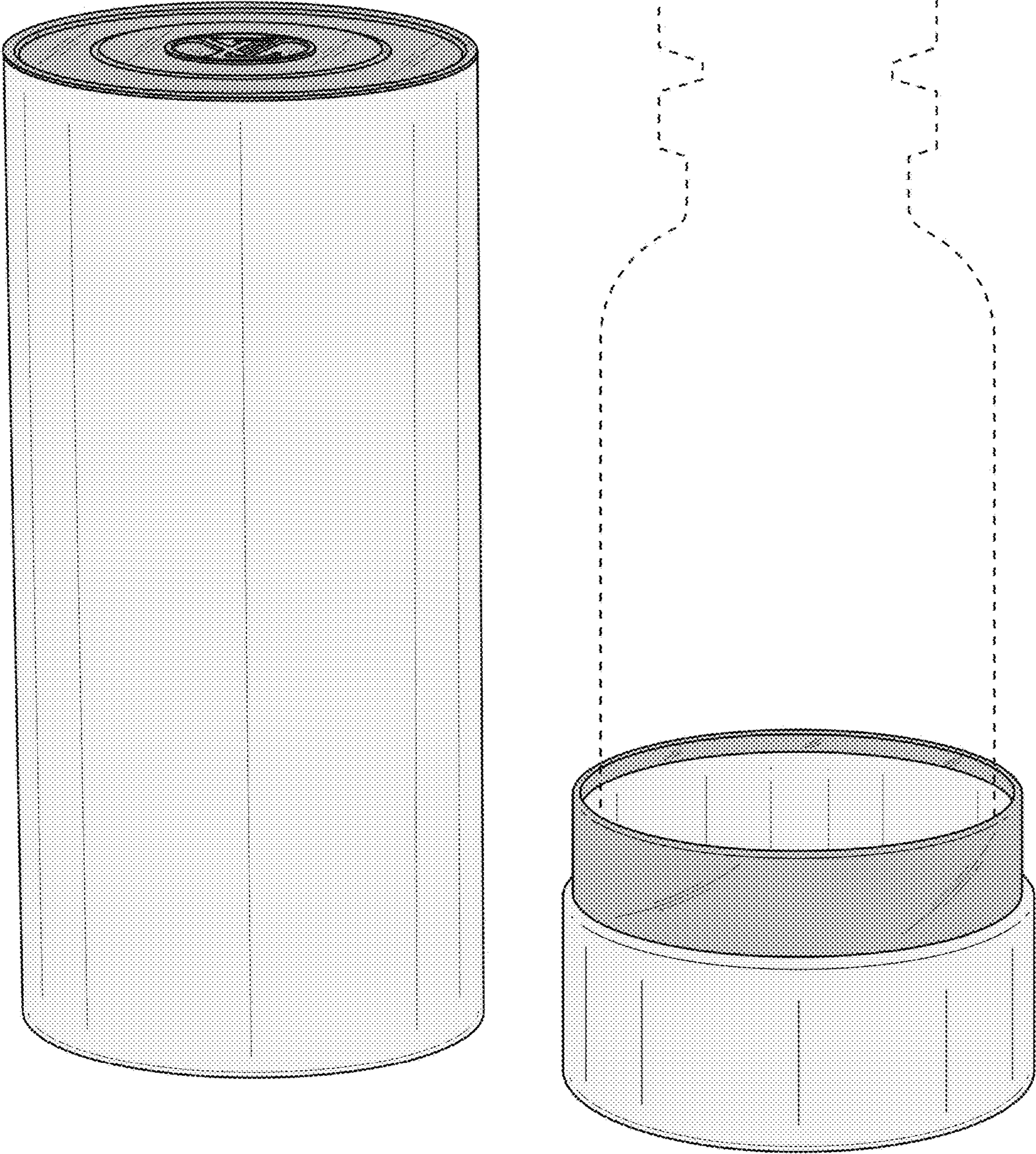


FIG. 4

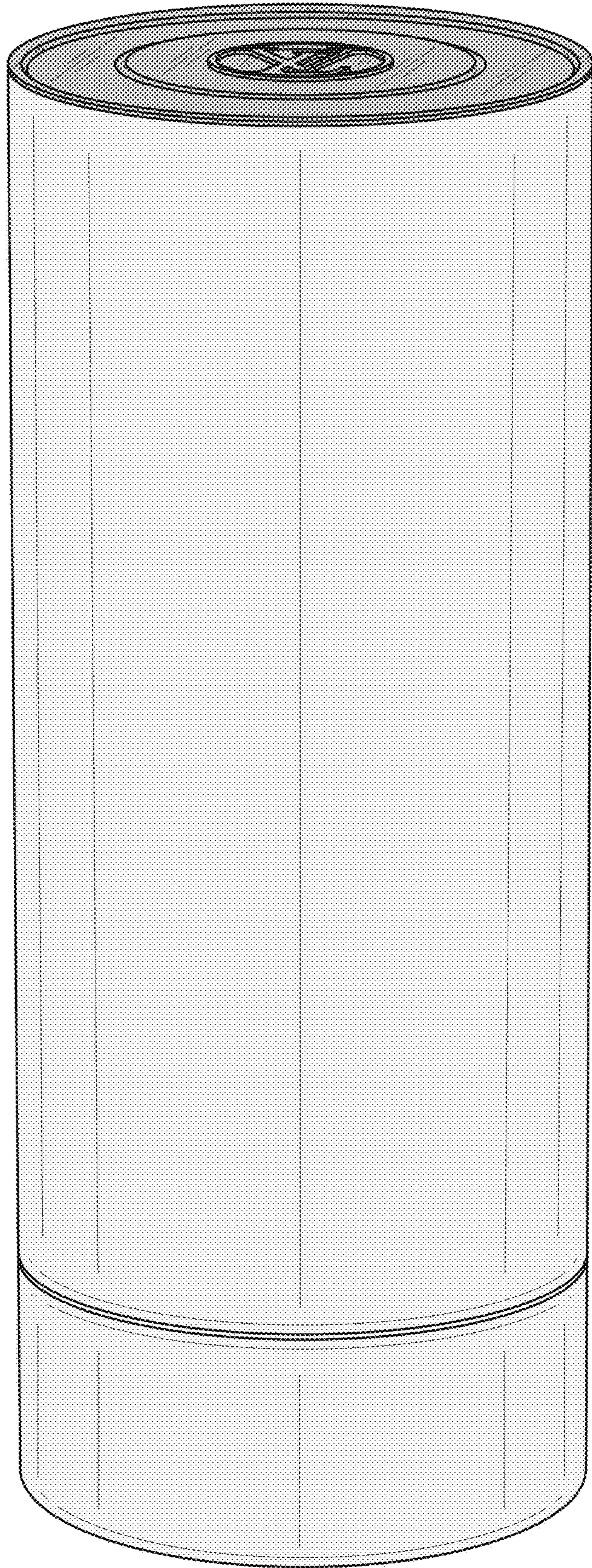


FIG. 5

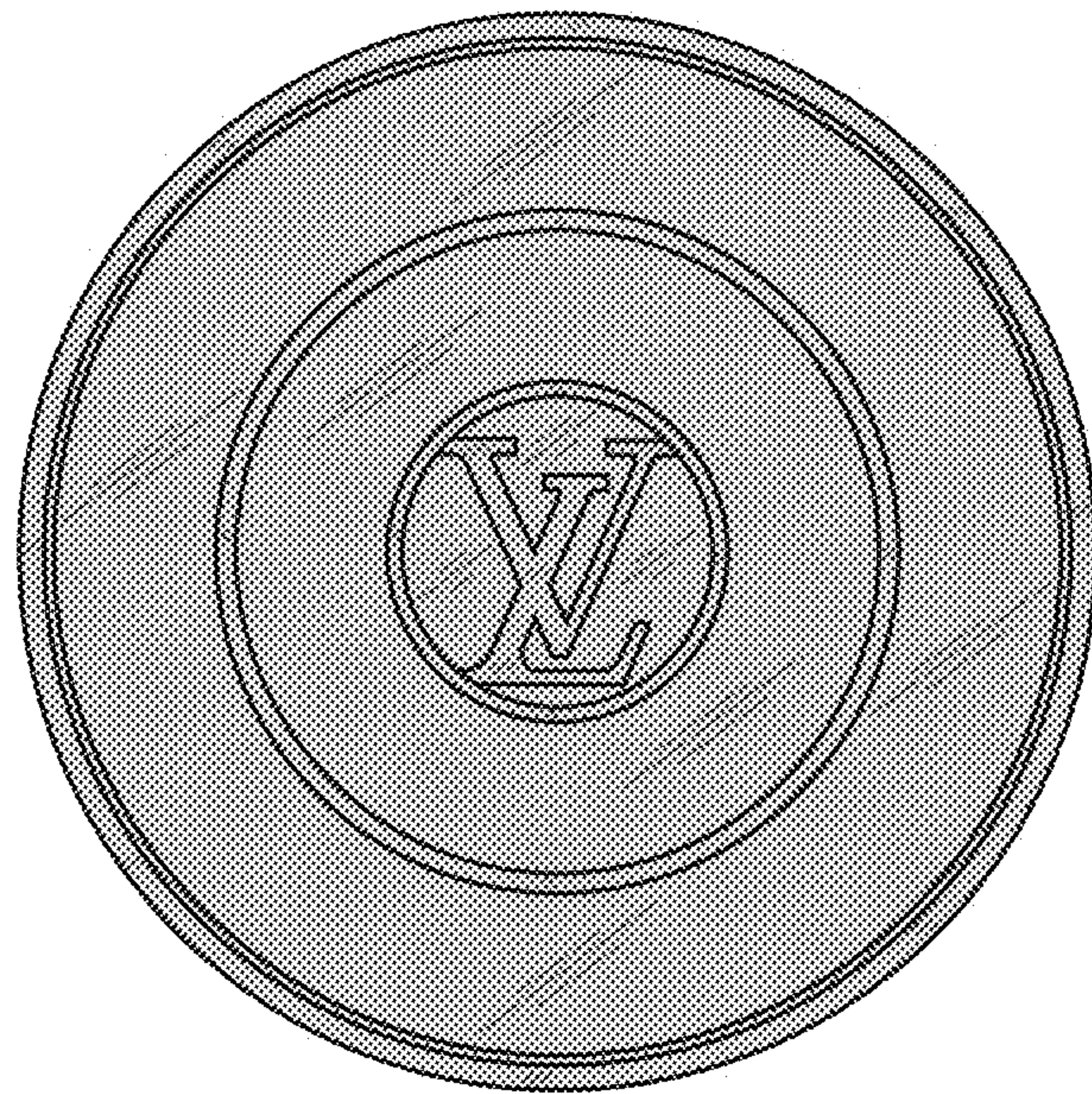


FIG. 6

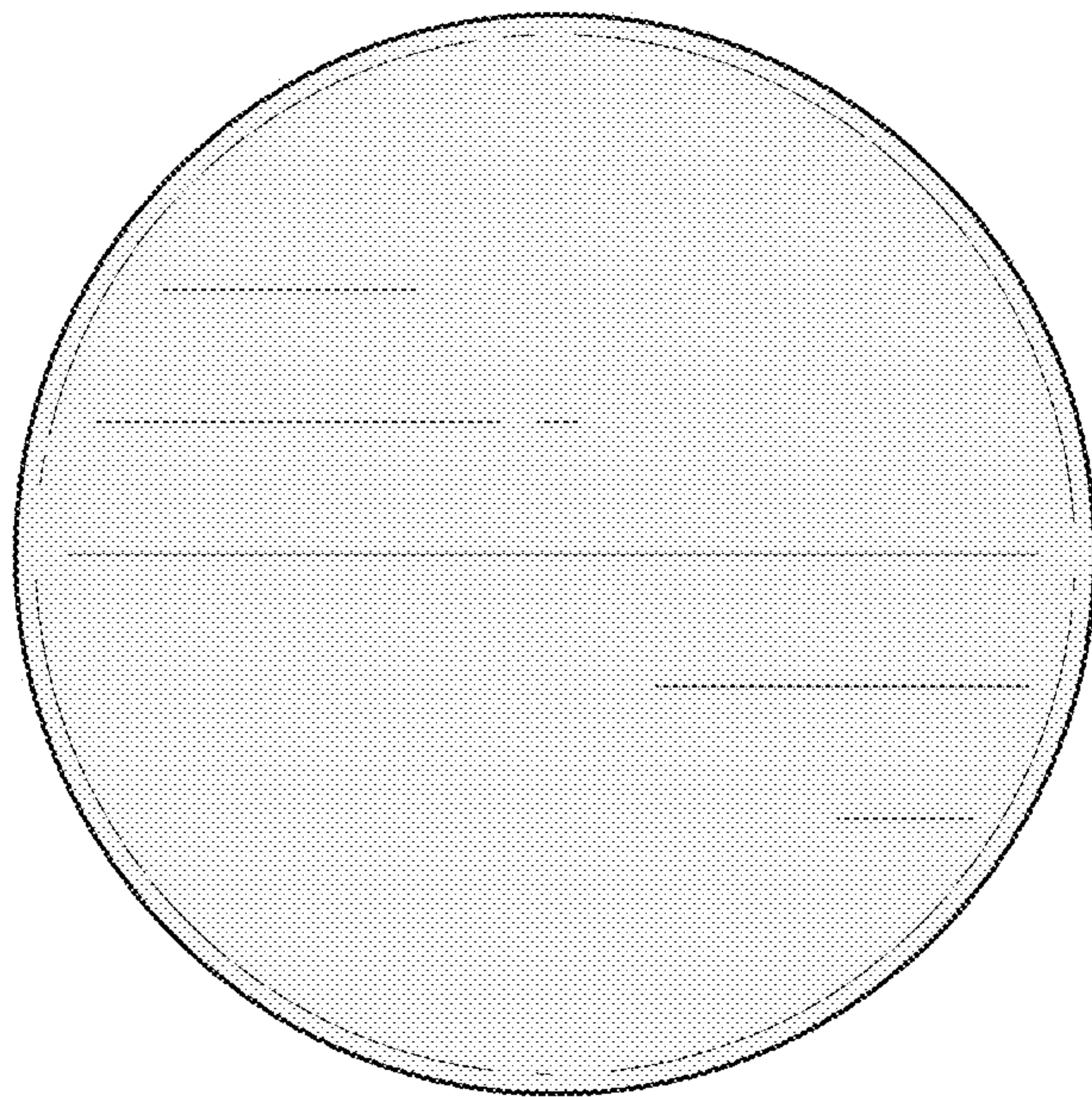


FIG. 7