



US00D826053S

(12) **United States Design Patent**
Schaling et al.

(10) **Patent No.:** **US D826,053 S**
(45) **Date of Patent:** **** Aug. 21, 2018**

(54) **CAPSULE**

(71) Applicant: **LigaLife GmbH & Co. KG**, Frankfurt (DE)

(72) Inventors: **Burkhard Schaling**, Obertaufkirchen (DE); **Bettina Fleisch**, Appenzell (CH)

(73) Assignee: **LigaLife GmbH & Co. KG**, Frankfurt (DE)

(**) Term: **15 Years**

(21) Appl. No.: **29/570,306**

(22) Filed: **Jul. 7, 2016**

(30) **Foreign Application Priority Data**

Jan. 7, 2016 (EM) 002 937 326 0001
Jan. 7, 2016 (EM) 002 937 326 0002

(Continued)

(51) **LOC (11) Cl.** **09-07**

(52) **U.S. Cl.**
USPC **D9/503**; D9/520; D9/521; D9/428

(58) **Field of Classification Search**
USPC D9/500–505, 452, 453, 516, 519, 520,
D9/529, 541, 549, 558, 559, 569;

(Continued)

(56) **References Cited**

U.S. PATENT DOCUMENTS

D167,626 S * 9/1952 Garetto D9/501
D272,317 S * 1/1984 Parmentier D15/90

(Continued)

FOREIGN PATENT DOCUMENTS

DE 60 2004 007 883 T2 4/2008
DE 60 2005 004 554 T2 2/2009

(Continued)

OTHER PUBLICATIONS

Communication dated Dec. 18, 2015 from the German Patent Office in counterpart Application No. 10 2015 011 169.8.

(Continued)

Primary Examiner — Cathron C Brooks

Assistant Examiner — Sharon S Oum

(74) *Attorney, Agent, or Firm* — Sughrue Mion, PLLC

(57) **CLAIM**

The ornamental design for a capsule, as shown and described.

DESCRIPTION

FIG. 1 is a perspective view of the front of a first embodiment of a capsule showing our new design;

FIG. 2 is bottom view thereof;

FIG. 3 is front view thereof, the rear and side views being the same;

FIG. 4 is a top view thereof;

FIG. 5 is another perspective view thereof;

FIG. 6 is a perspective view of a second embodiment of a capsule showing our new design;

FIG. 7 is a bottom view thereof;

FIG. 8 is a front view thereof, the rear and side views being the same;

FIG. 9 is a top view thereof;

FIG. 10 is another perspective view thereof;

FIG. 11 is a perspective view of a third embodiment of a capsule showing our new design;

FIG. 12 is a bottom view thereof;

FIG. 13 is front view thereof, the rear and side views being the same;

FIG. 14 is a top view thereof;

FIG. 15 is another perspective view thereof;

FIG. 16 is perspective view of a fourth embodiment of a capsule showing our new design;

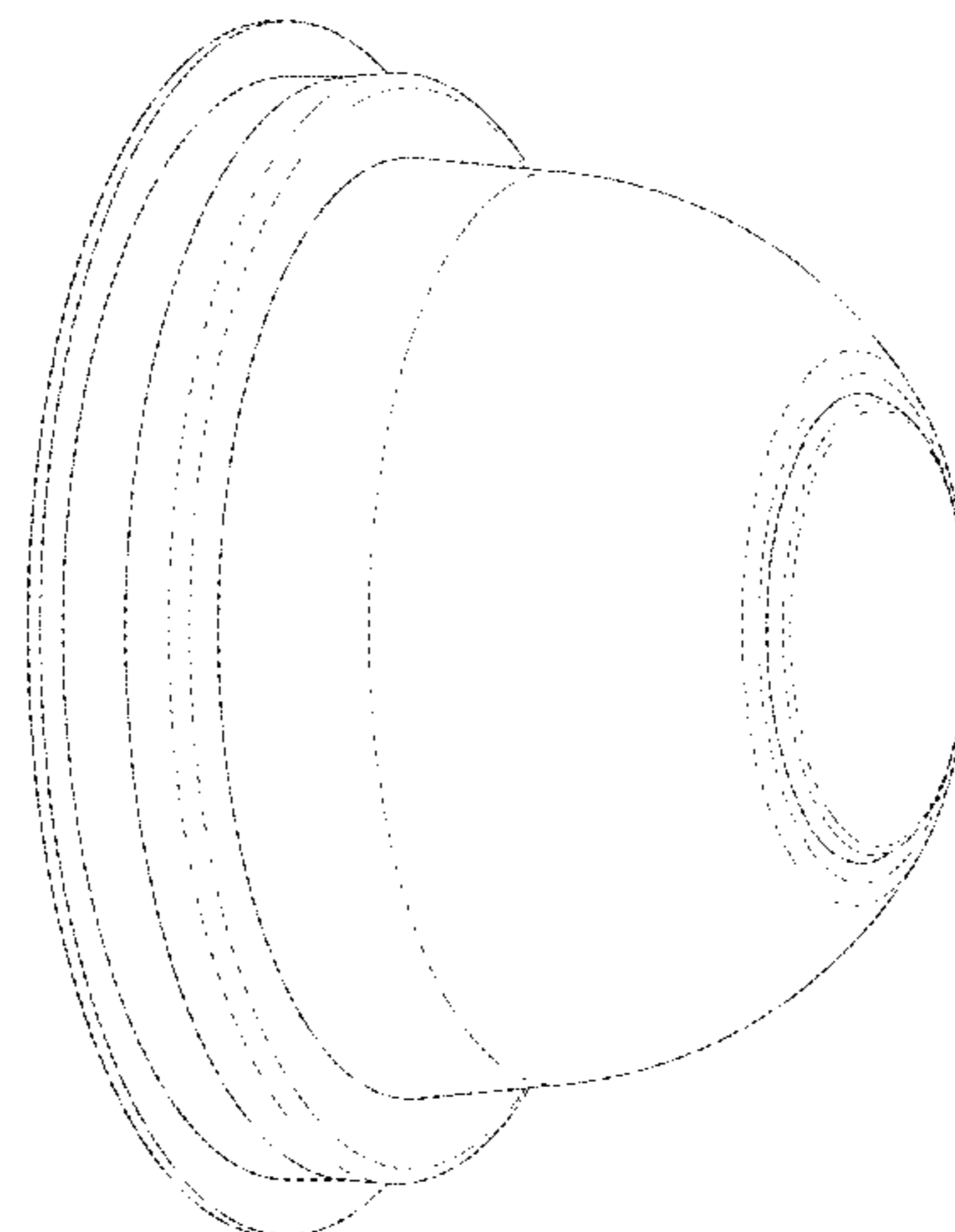
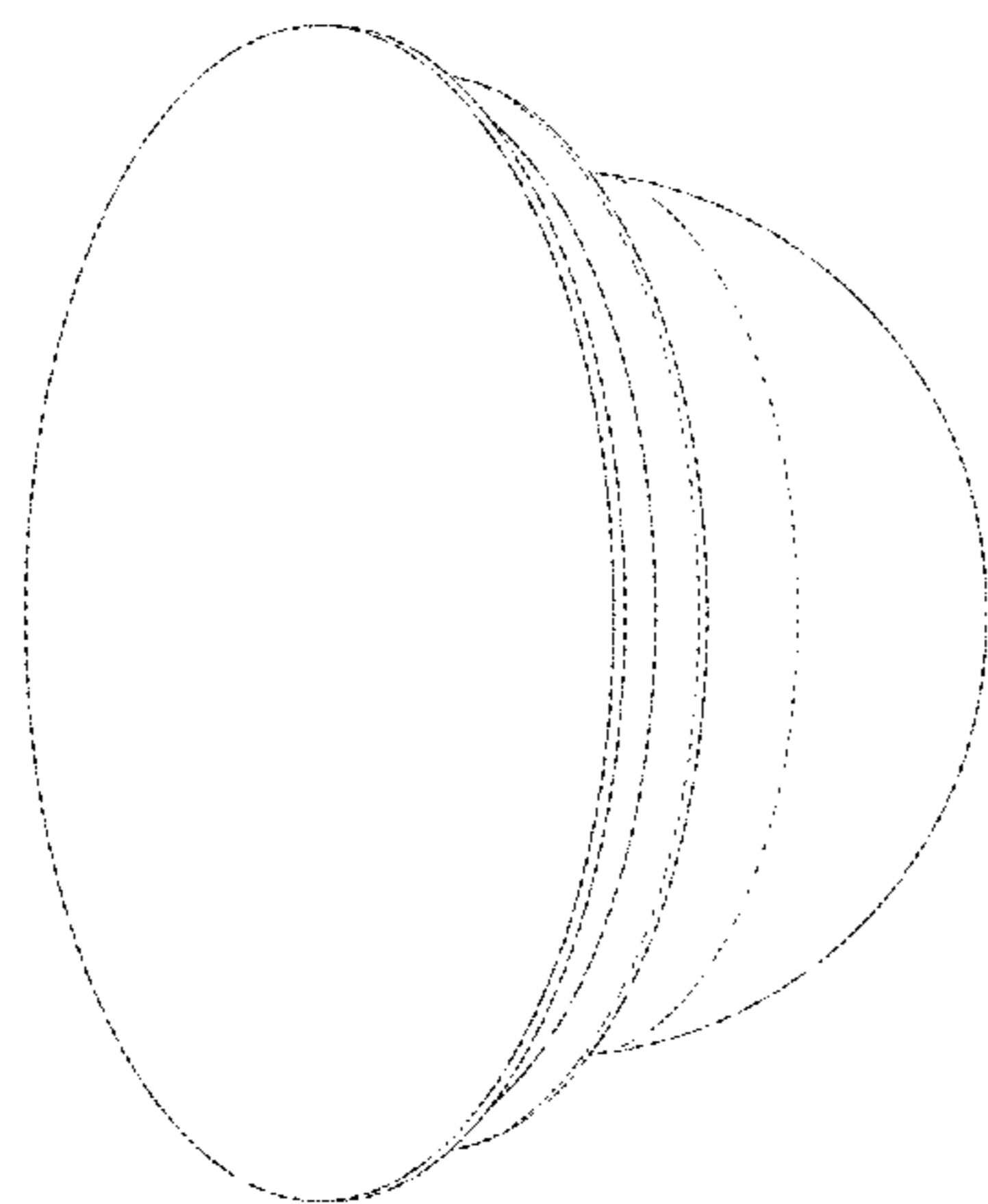
FIG. 17 is a bottom view thereof;

FIG. 18 is front view thereof, the rear and side views being the same;

FIG. 19 is a top view thereof; and,

FIG. 20 is another perspective view thereof.

1 Claim, 20 Drawing Sheets



(30) Foreign Application Priority Data

Jan. 7, 2016 (EM) 002 937 326 0003
 Jan. 7, 2016 (EM) 002 937 326 0004
 Jun. 10, 2016 (EM) 003 184 068 0001
 Jun. 10, 2016 (EM) 003 184 068 0002
 Jun. 10, 2016 (EM) 003 184 068 0003
 Jun. 10, 2016 (EM) 003 184 068 0004

(58) Field of Classification Search

USPC D7/602, 509, 612, 629, 619.1, 399, 400,
 D7/309
 CPC B65D 1/00; B65D 1/02; B65D 1/0223;
 B65D 1/10; B65D 2501/00; B65D
 2501/0009; B65D 2081/001; B65D
 2081/002; B65D 2081/007; B65D
 2081/008

See application file for complete search history.

(56) References Cited

U.S. PATENT DOCUMENTS

4,666,724 A * 5/1987 DiLorenzo A47J 31/0621
 426/433
 D312,400 S * 11/1990 Schwaikert D9/424
 D383,646 S * 9/1997 Jeppesen D7/543
 D452,434 S * 12/2001 Sweeney D9/429
 D474,110 S * 5/2003 Sweeney D9/425
 D474,111 S * 5/2003 Lazaris D9/425
 6,645,537 B2 * 11/2003 Sweeney B65D 85/8043
 206/222
 D513,152 S * 12/2005 Cahen D7/399
 D532,293 S * 11/2006 Martin D9/503
 D546,140 S * 7/2007 Anzalone D7/602
 D567,021 S * 4/2008 Bach D7/387
 D606,363 S * 12/2009 Aardenburg D7/400
 D606,404 S * 12/2009 Diss D9/428
 D606,405 S * 12/2009 Takata D9/428
 D608,499 S * 1/2010 Hodgson D27/133
 D612,732 S * 3/2010 Takata D9/428
 D625,149 S * 10/2010 Stamper D7/538
 D642,455 S * 8/2011 Santoiemmo D9/428
 D644,536 S * 9/2011 Witz D9/499
 D649,054 S * 11/2011 Sharma D7/630
 D651,865 S * 1/2012 Smyers D7/584
 D651,866 S * 1/2012 Smyers D7/584
 D652,266 S * 1/2012 Smyers D7/630
 D656,009 S * 3/2012 Ortiz D9/500
 D658,493 S * 5/2012 Cometto D9/503
 D663,203 S * 7/2012 Bodkin D9/436
 D671,831 S * 12/2012 Moreau D9/428
 D684,459 S * 6/2013 Stowe D9/428

D692,759 S * 11/2013 Rapparini D9/428
 D692,760 S * 11/2013 Rapparini D9/425
 D695,110 S * 12/2013 Houlton D9/500
 D695,615 S * 12/2013 Rapparini D9/428
 D698,649 S * 2/2014 Quint D7/400
 D702,991 S * 4/2014 Roussard D7/354
 D703,039 S * 4/2014 Hansen D9/429
 D705,064 S * 5/2014 Sy D11/154
 D715,649 S * 10/2014 O'Brien D9/500
 D730,727 S * 6/2015 Chen D9/500
 D732,390 S * 6/2015 Trombetta D9/428
 D733,555 S * 7/2015 Brady D9/428
 D734,477 S * 7/2015 Prentice D24/197
 D742,221 S * 11/2015 Casiddu D9/500
 D749,411 S * 2/2016 Corsetti D9/503
 D750,481 S * 3/2016 Rapparini D9/500
 D751,385 S * 3/2016 Rapparini D9/500
 D753,483 S * 4/2016 Accursi D9/429
 D753,954 S * 4/2016 Schreiber D7/400
 D760,036 S * 6/2016 Hucuptan D9/416
 D770,286 S * 11/2016 Trombetta D9/503
 D782,876 S * 4/2017 Rebmann D7/509
 D791,534 S * 7/2017 Bueno D7/400
 D796,898 S * 9/2017 Robotti D7/400
 D797,503 S * 9/2017 Robotti D7/400
 D798,718 S * 10/2017 Foster D9/500
 2005/0266122 A1 12/2005 Franceschi
 2007/0148290 A1 * 6/2007 Ternite B65D 85/8043
 426/90
 2010/0154647 A1 * 6/2010 Skalski A47J 31/0668
 99/290
 2012/0171332 A1 * 7/2012 Lai A47J 31/42
 426/78
 2013/0108739 A1 * 5/2013 Markoulis A47J 31/401
 426/87
 2013/0136828 A1 * 5/2013 Anghileri B65D 85/8043
 426/112
 2014/0020565 A1 1/2014 Nabeiro
 2014/0272016 A1 9/2014 Nowak
 2015/0001100 A1 * 1/2015 Bartoli A47J 31/407
 206/0.5

FOREIGN PATENT DOCUMENTS

EP 1 101 430 A1 5/2001
 EP 2 332 855 A1 6/2011
 WO 03/082065 A1 10/2003
 WO 2011/138405 A1 11/2011

OTHER PUBLICATIONS

Communication dated Dec. 18, 2015 from the German Patent Office
 in counterpart Application No. 10 2015 011 170.1.

* cited by examiner

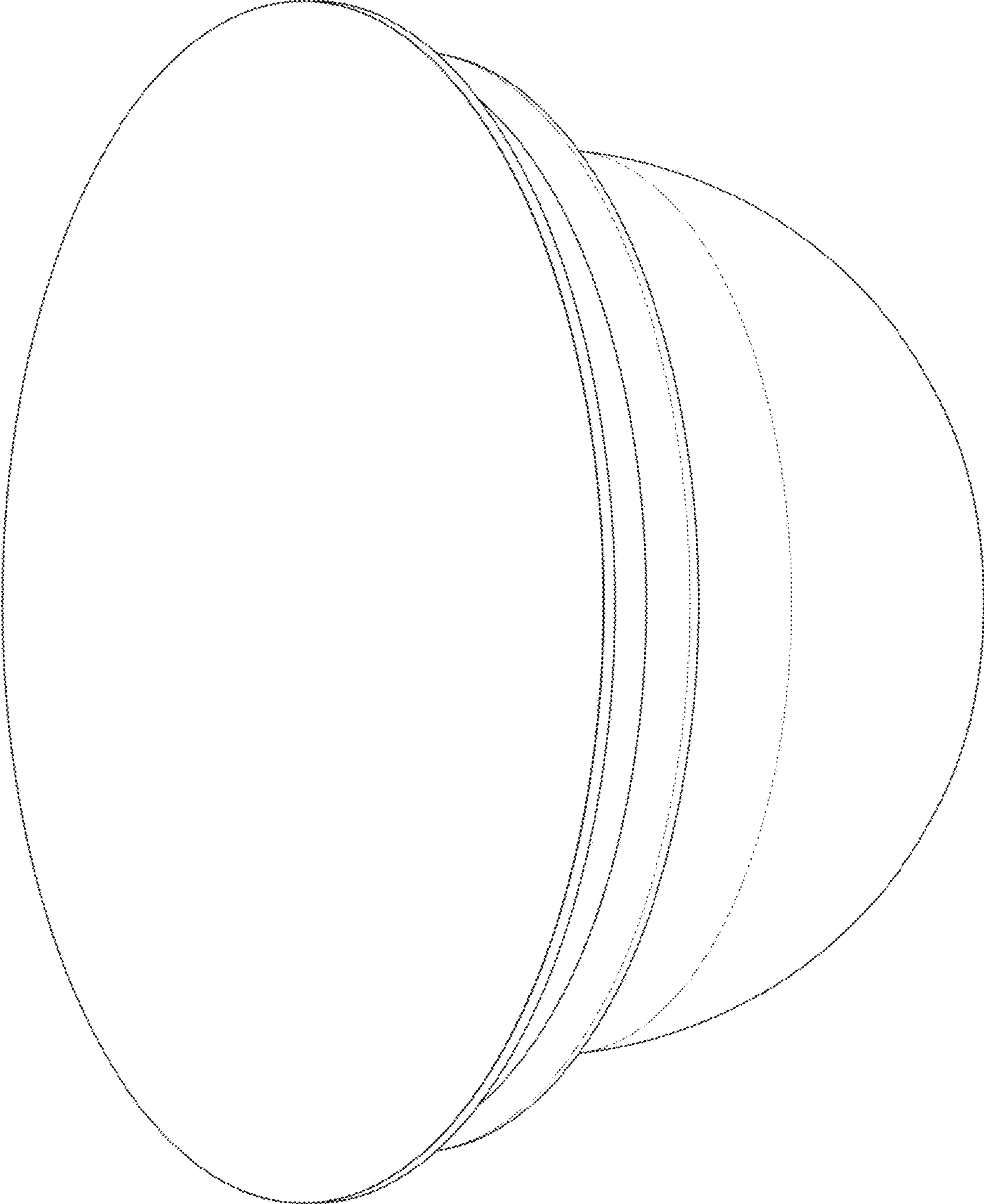


FIG. 1

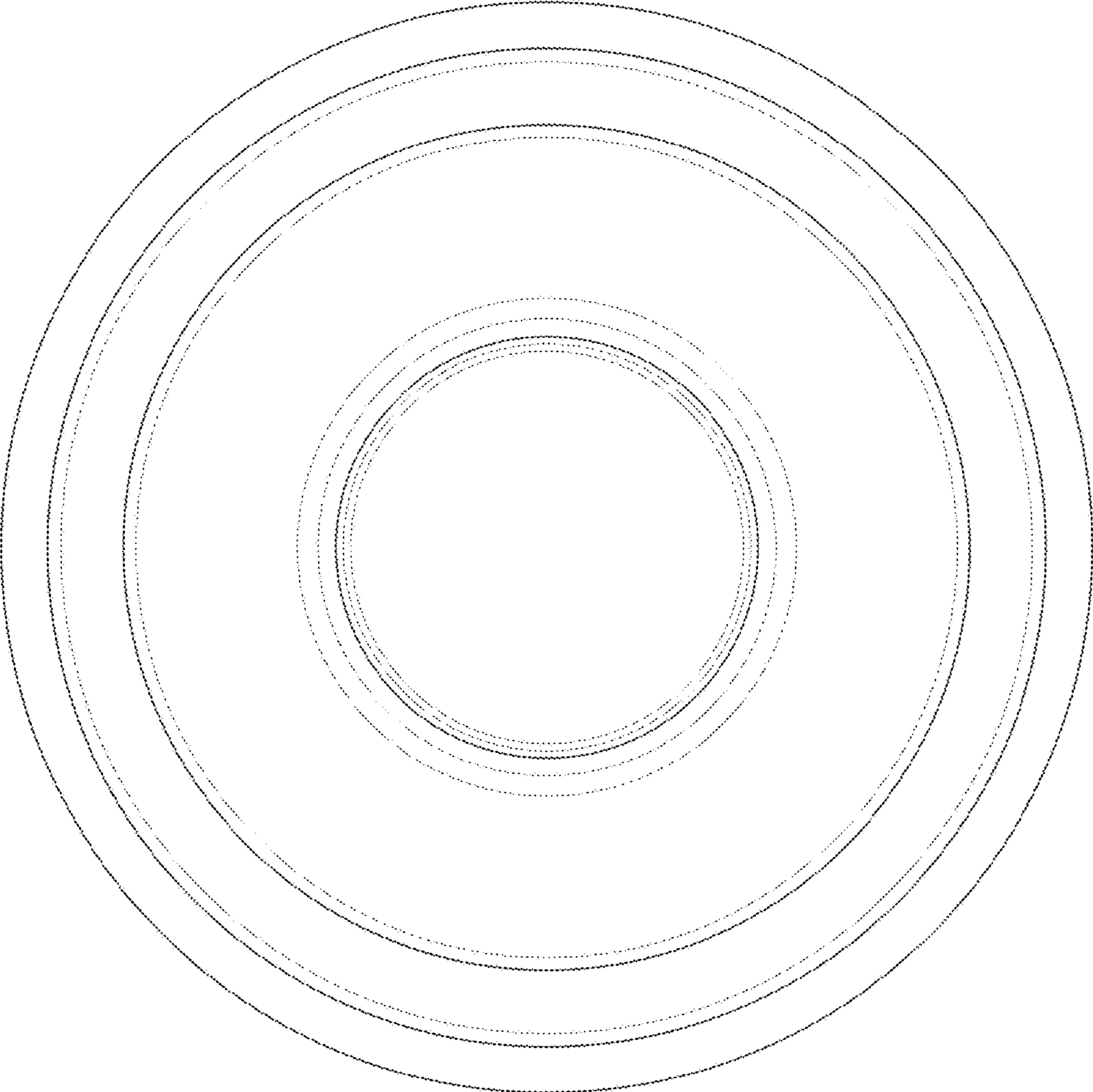


FIG. 2

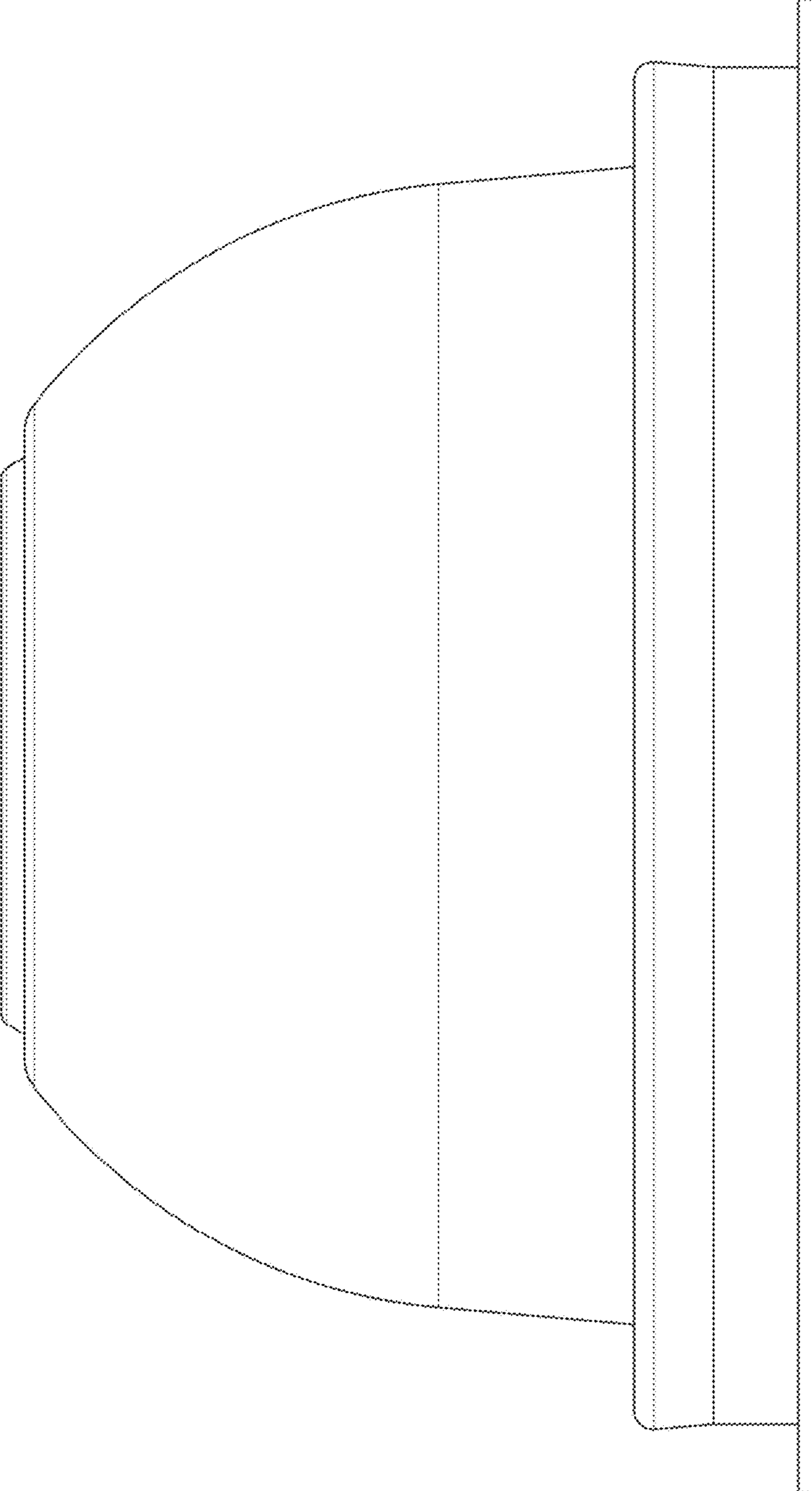


FIG. 3

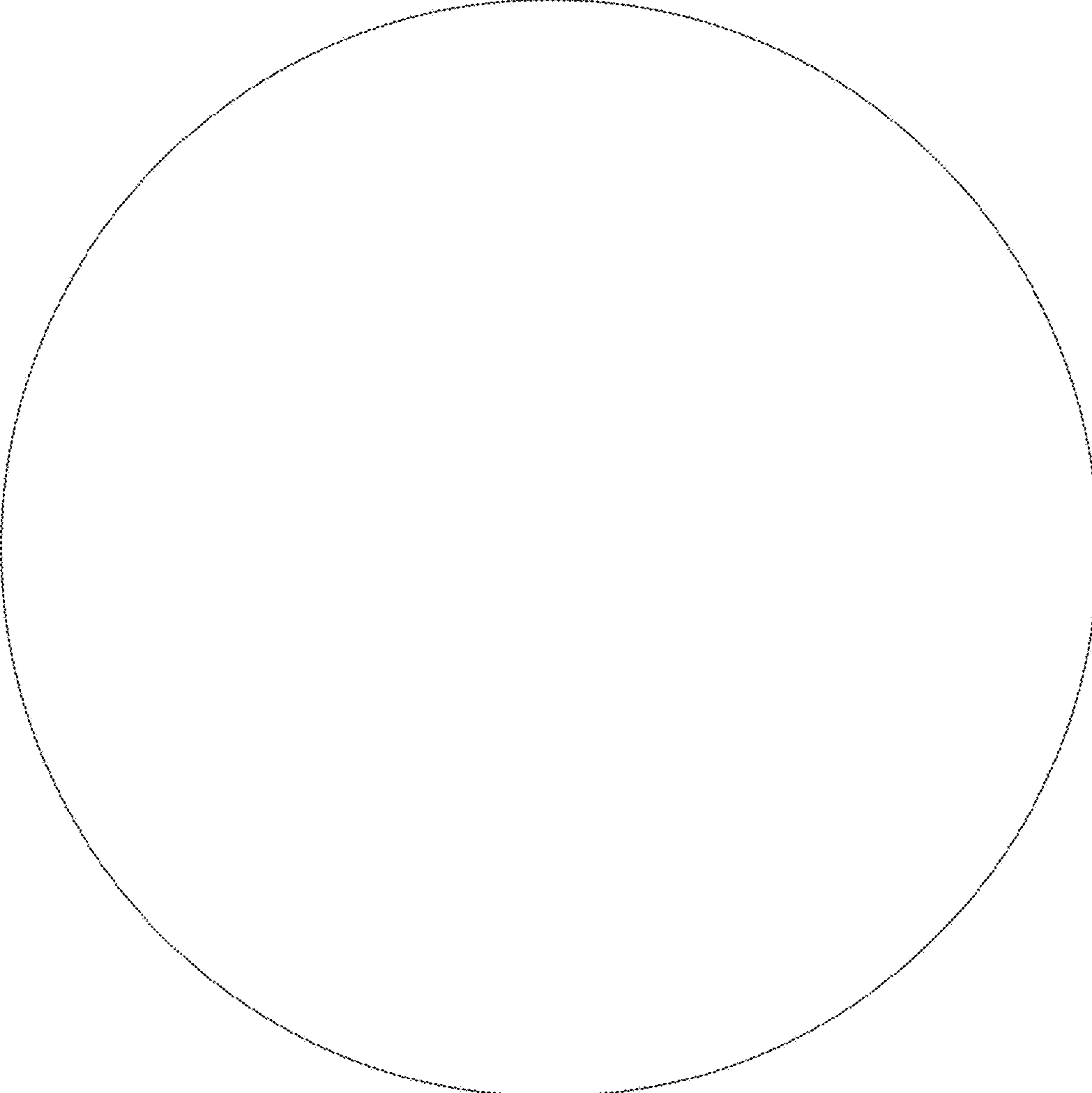


FIG. 4

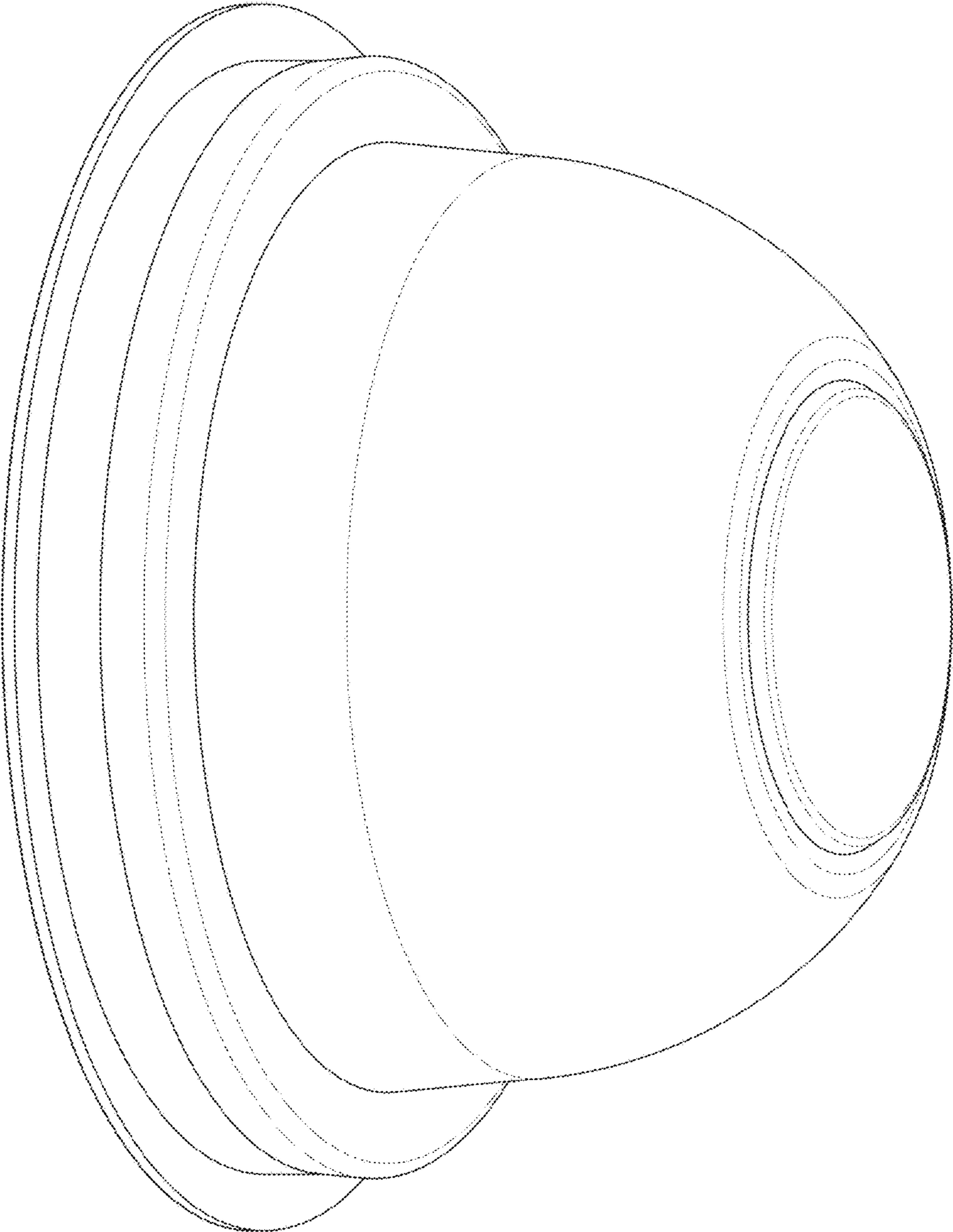


FIG. 5

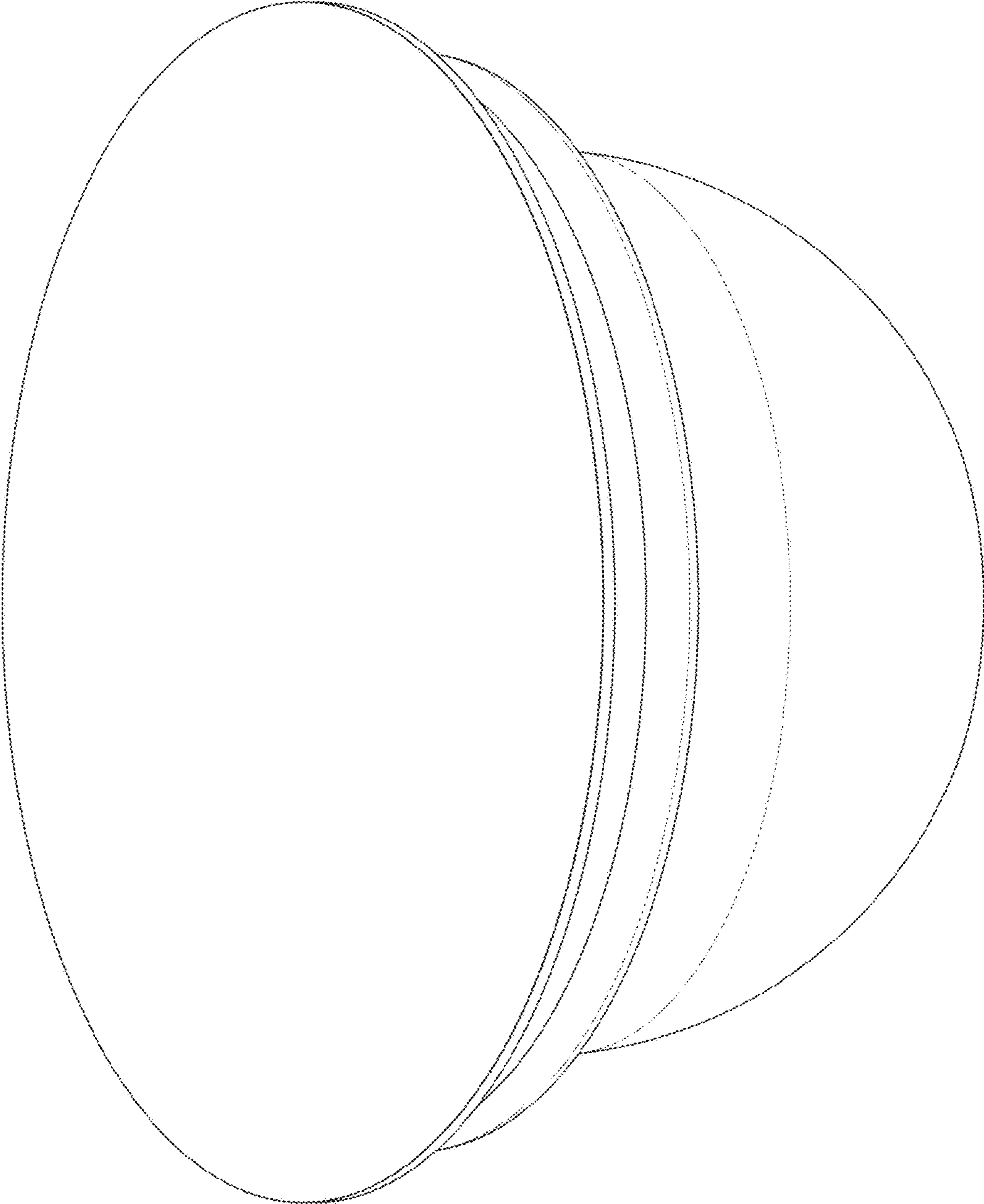


FIG. 6

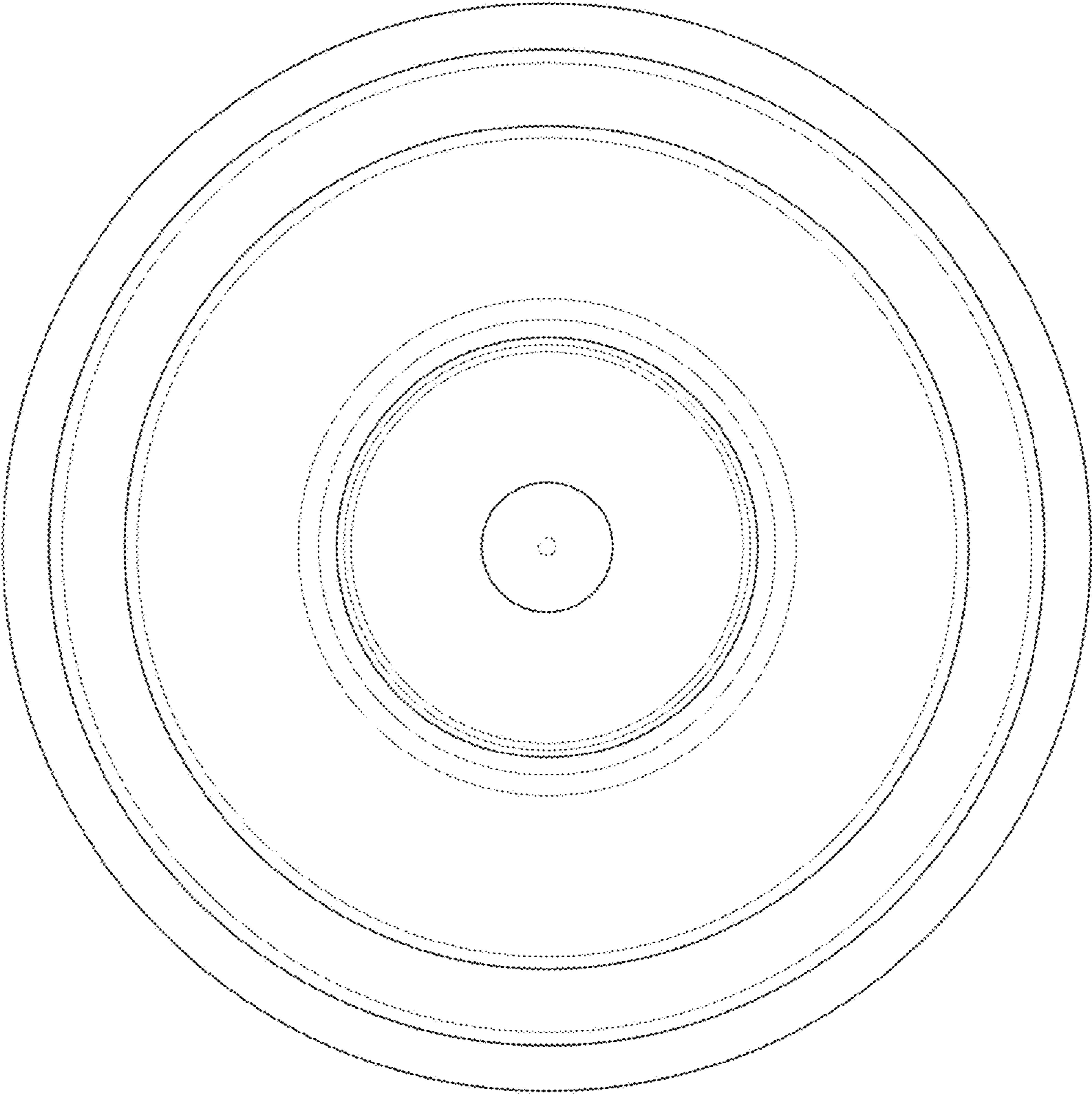


FIG. 7

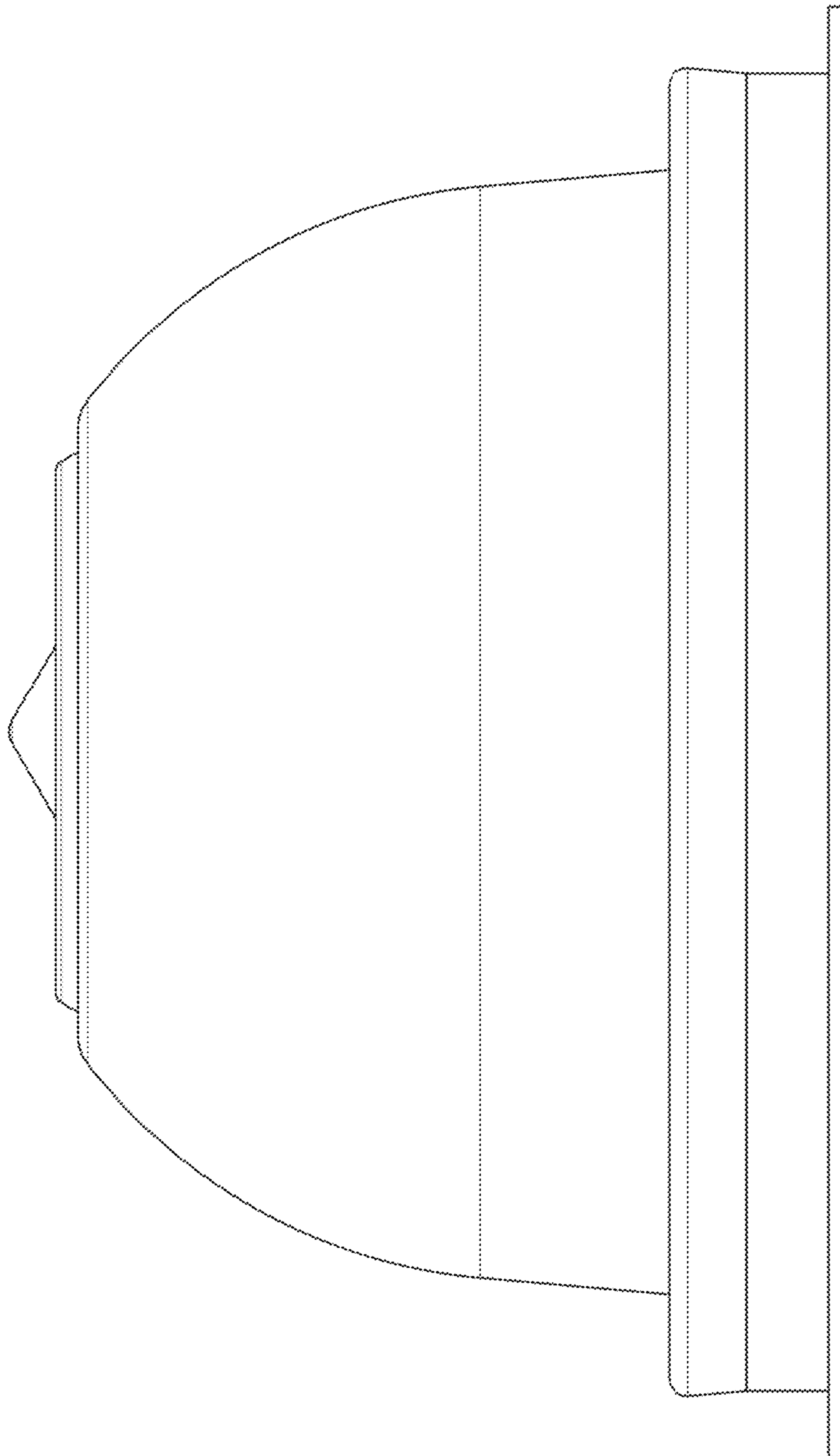


FIG. 8

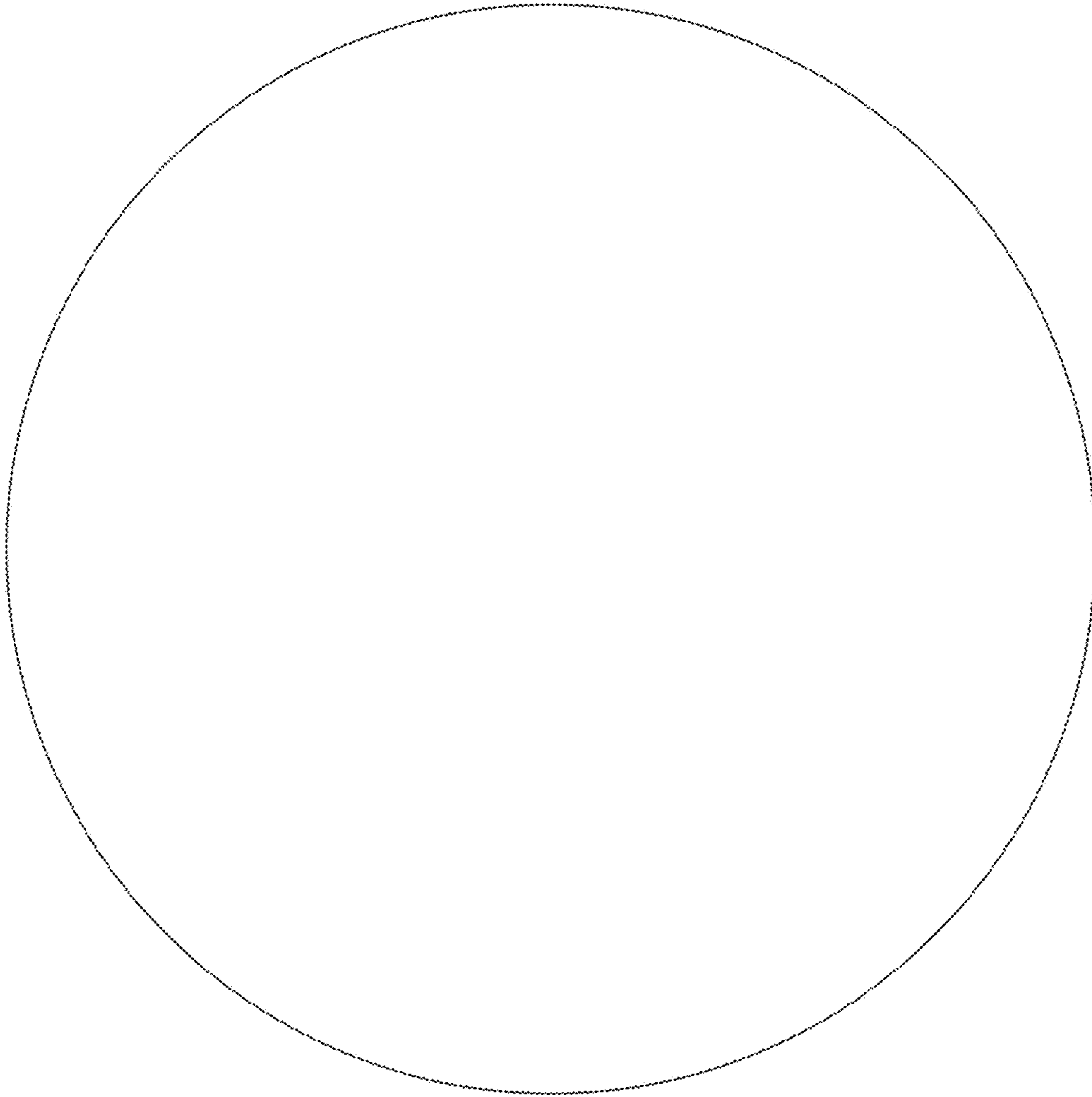


FIG. 9

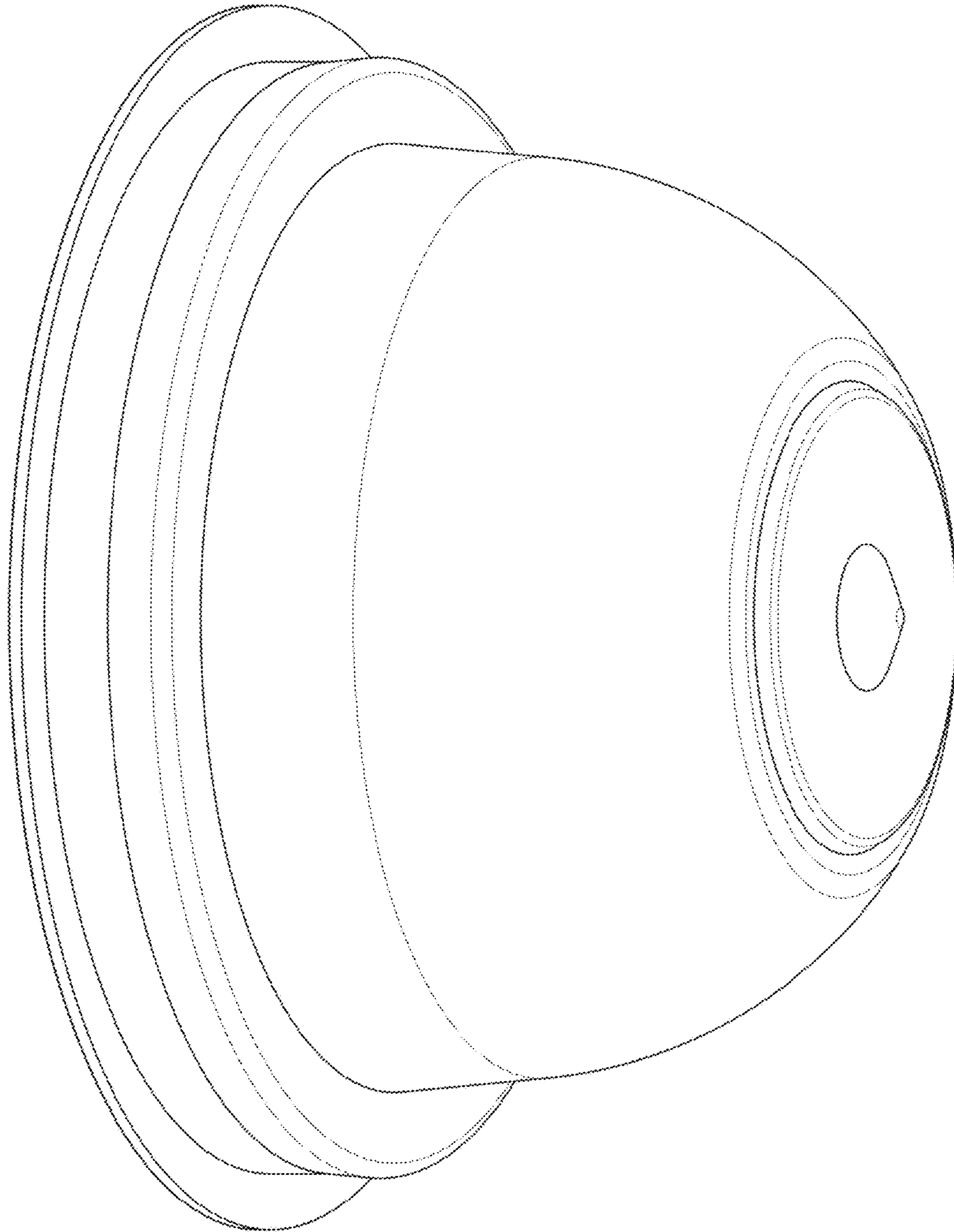


FIG. 10

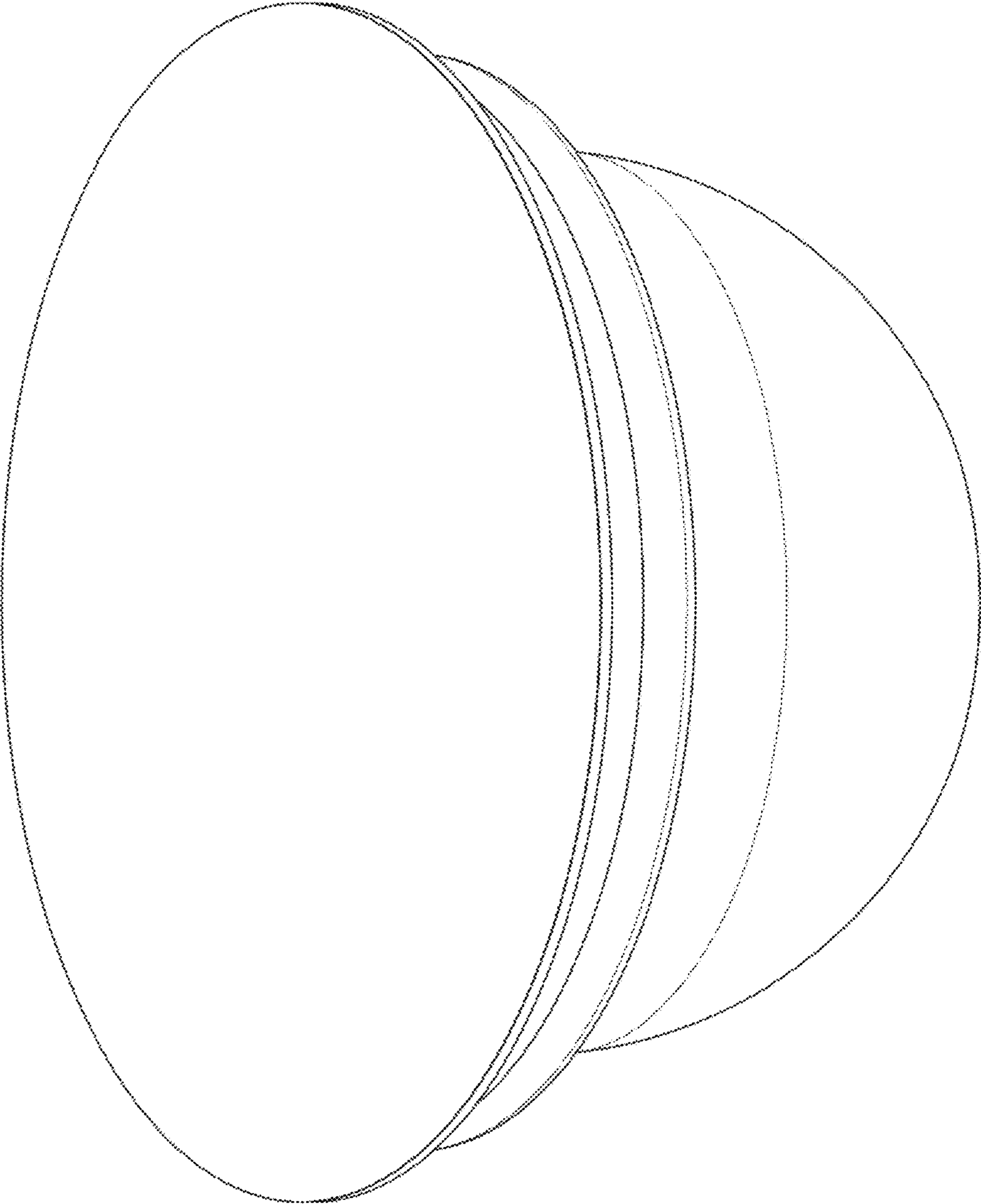


FIG. 11

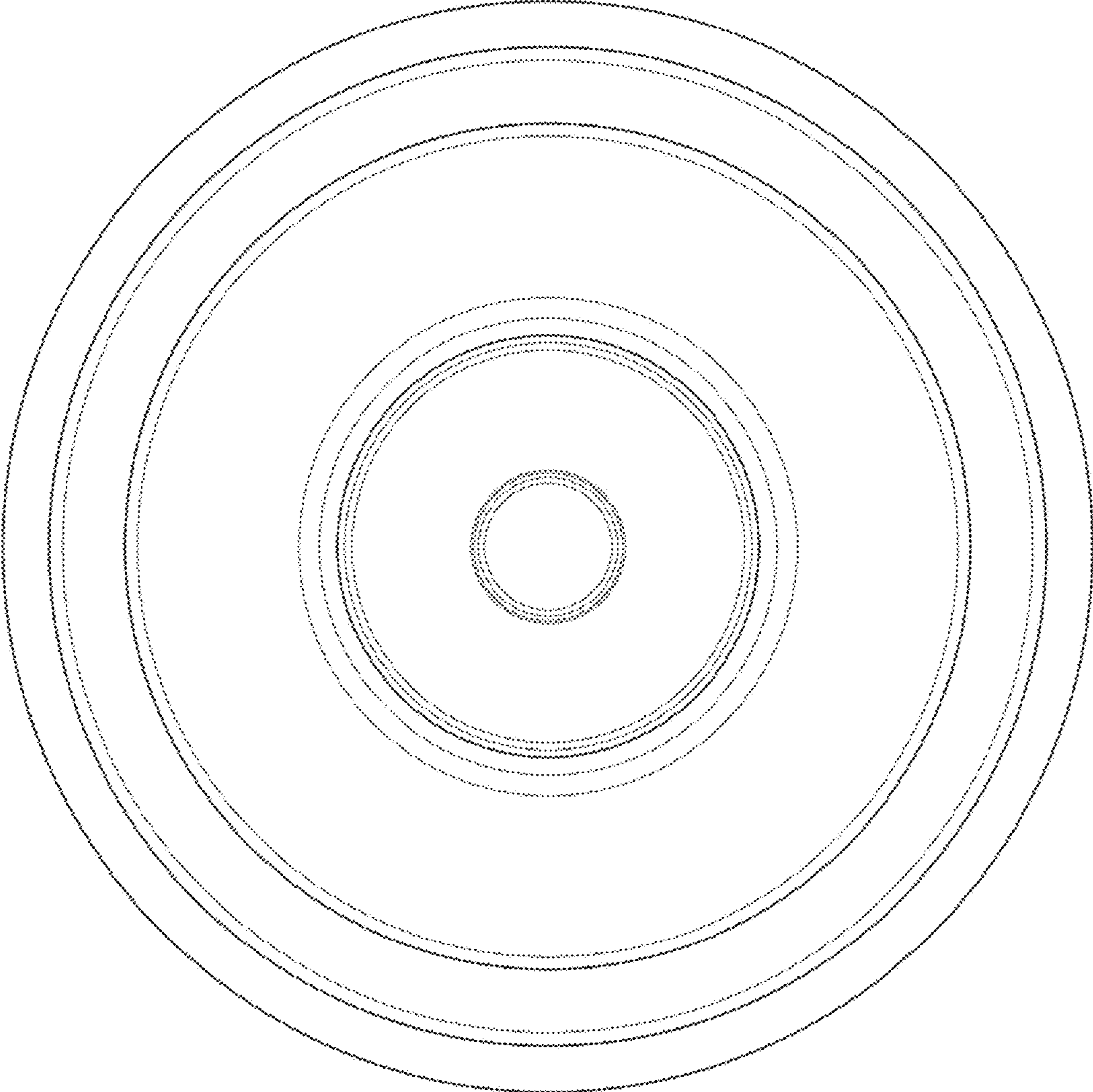


FIG. 12

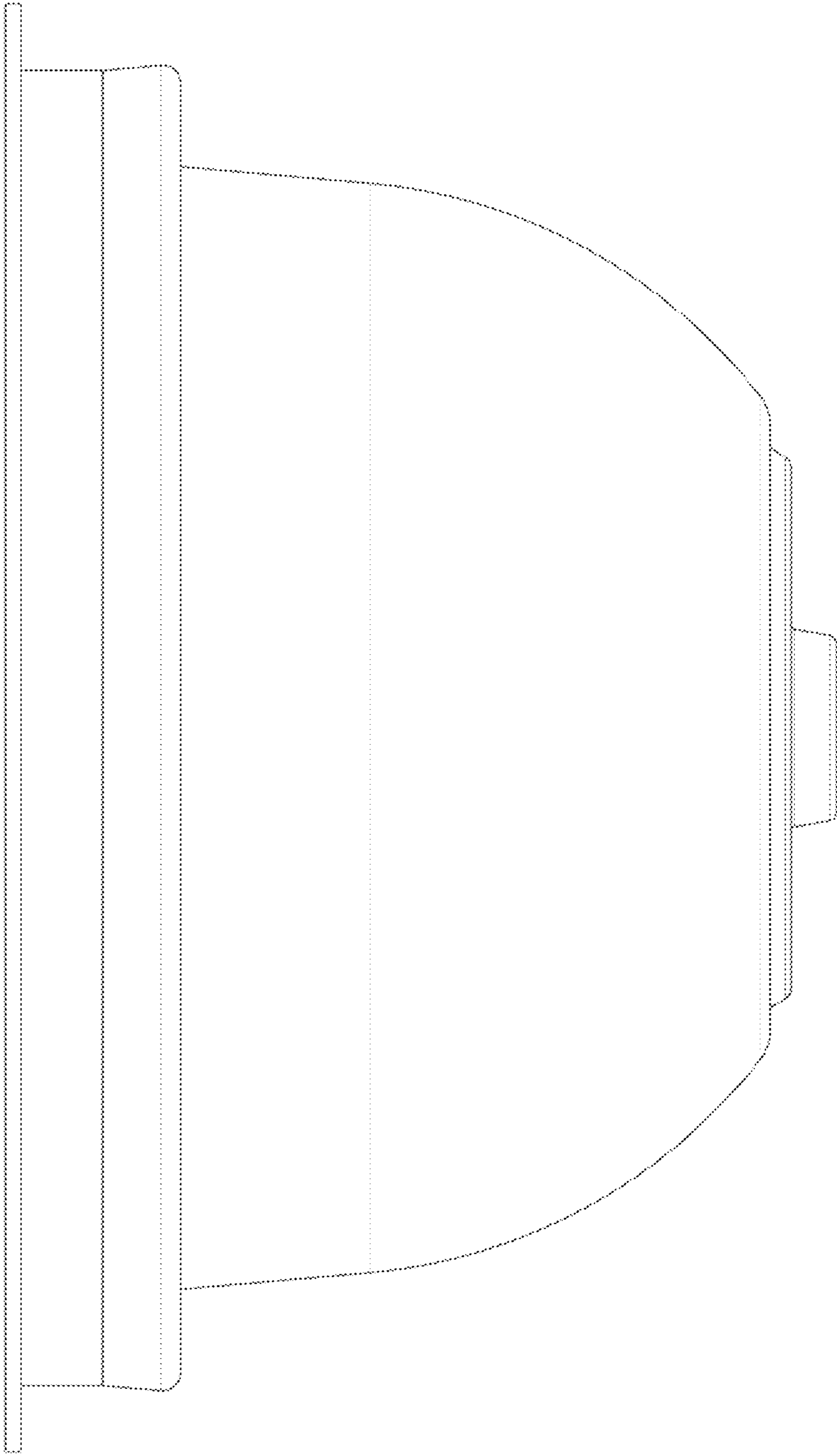


FIG. 13

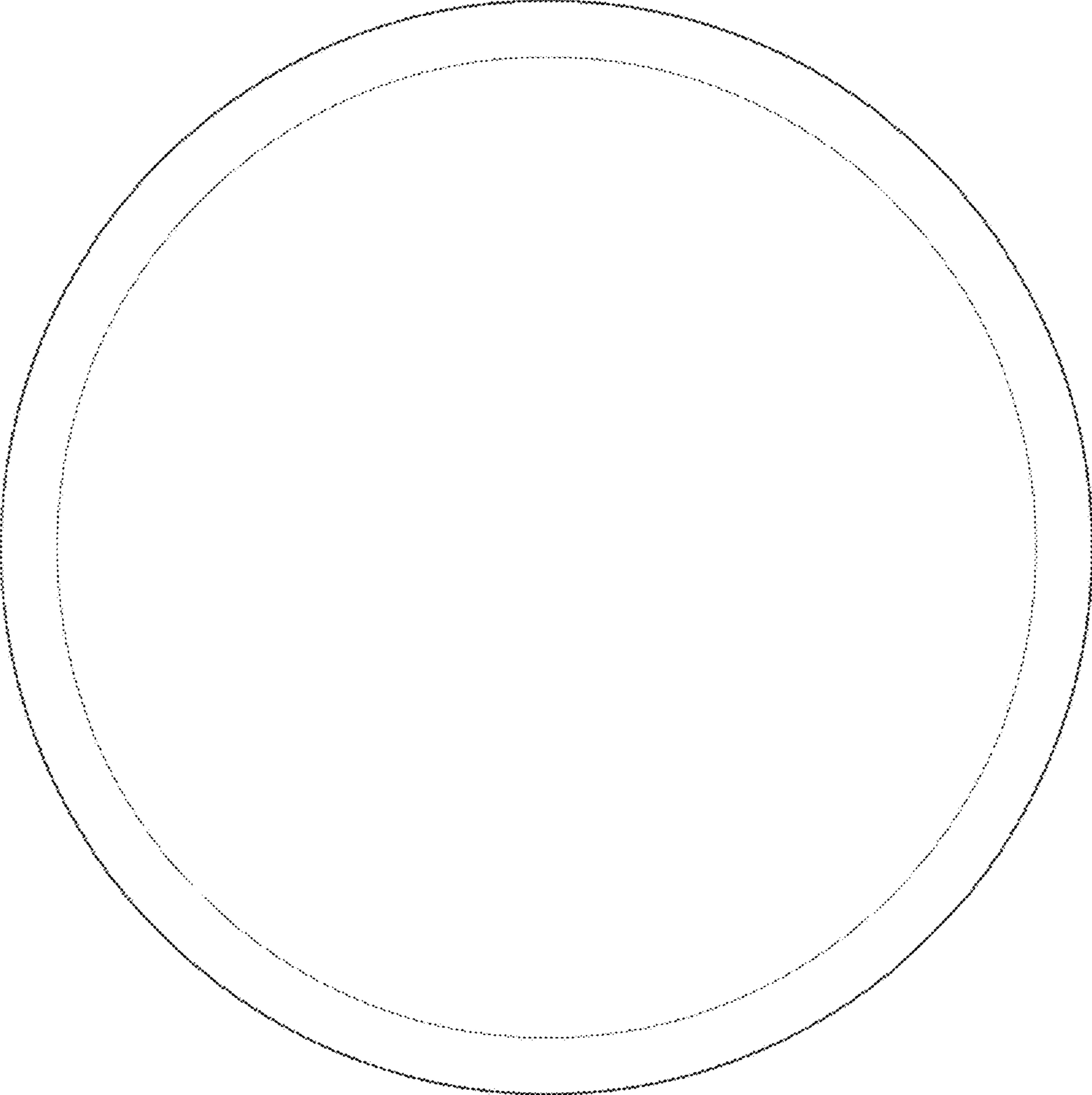


FIG. 14

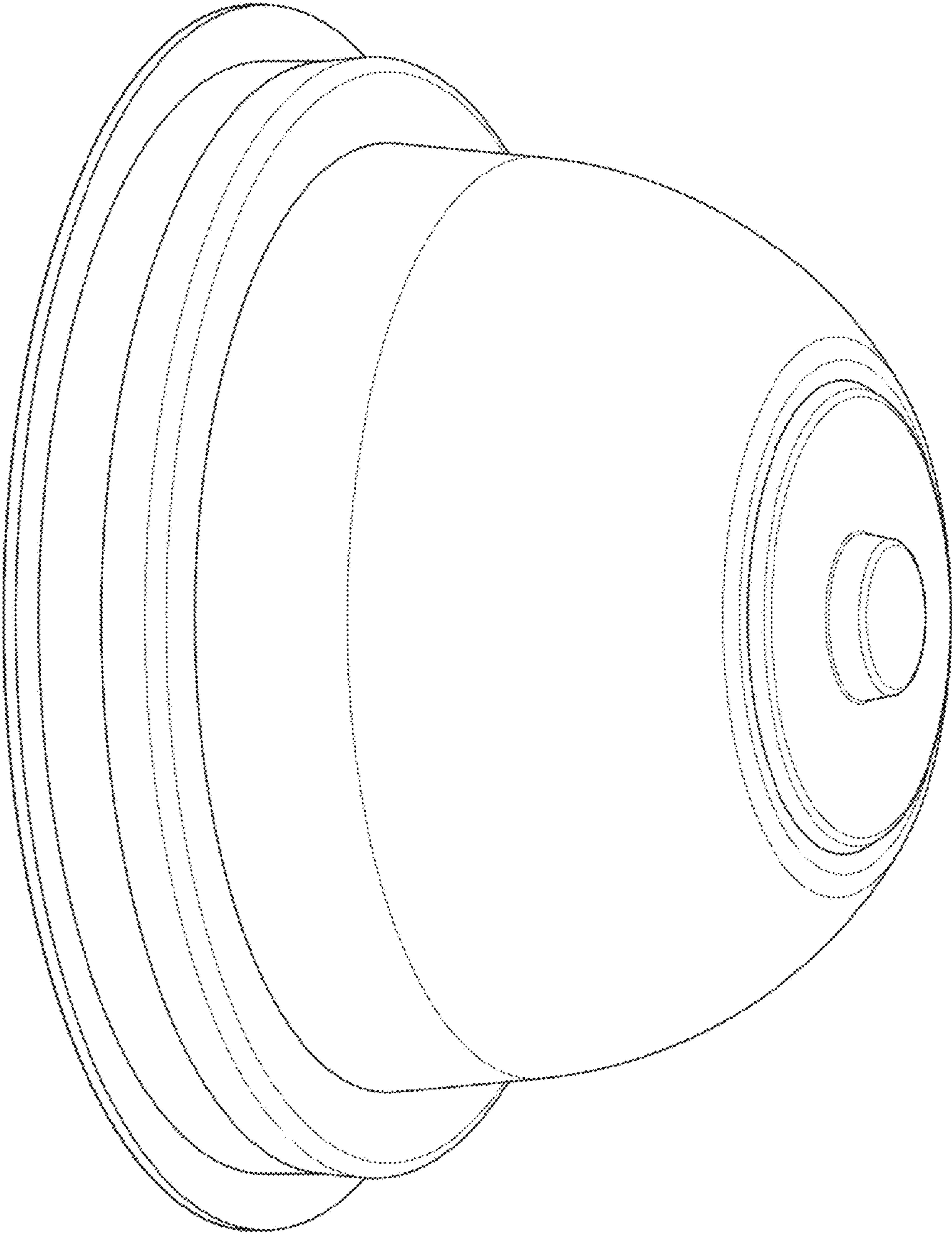


FIG. 15

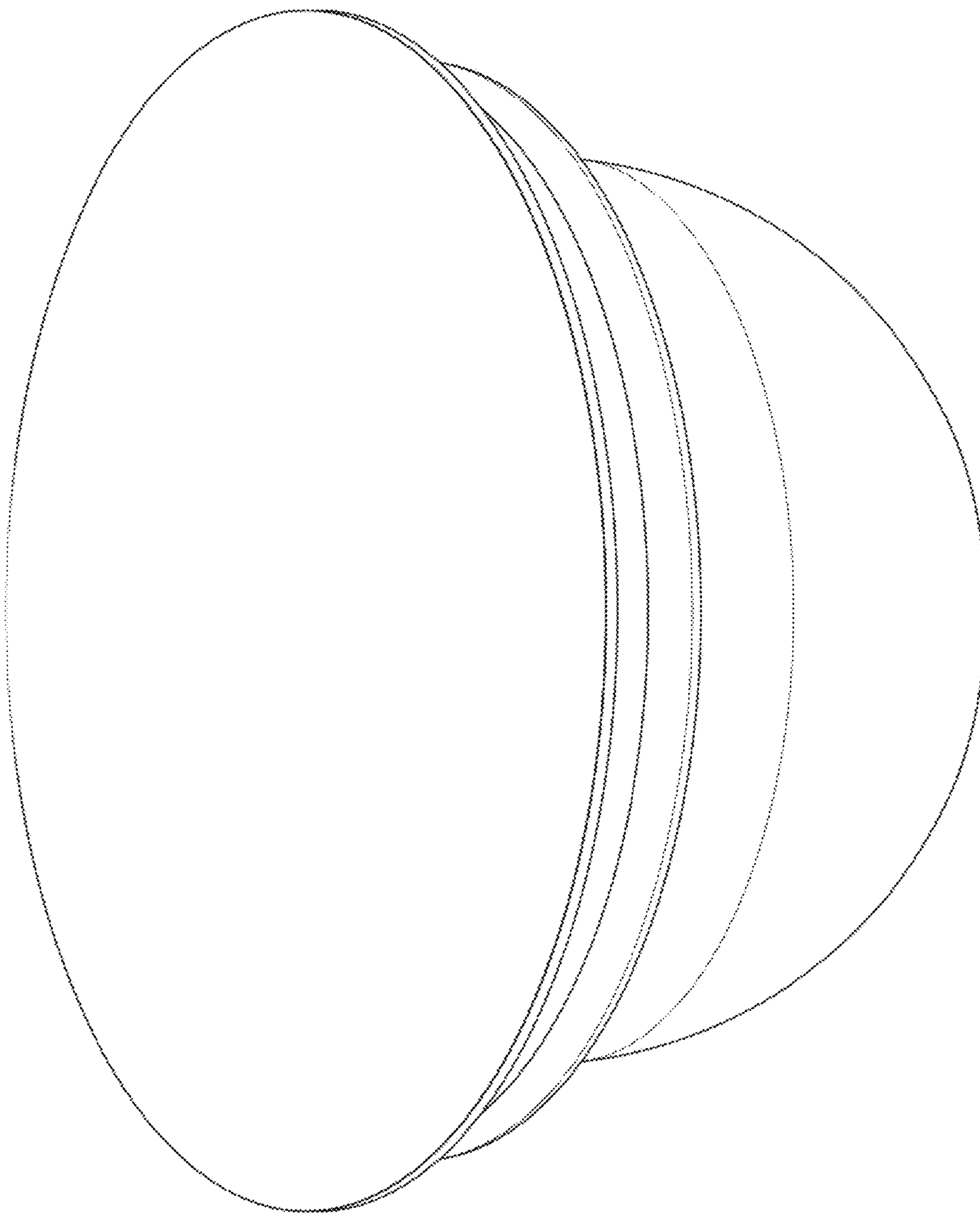


FIG. 16

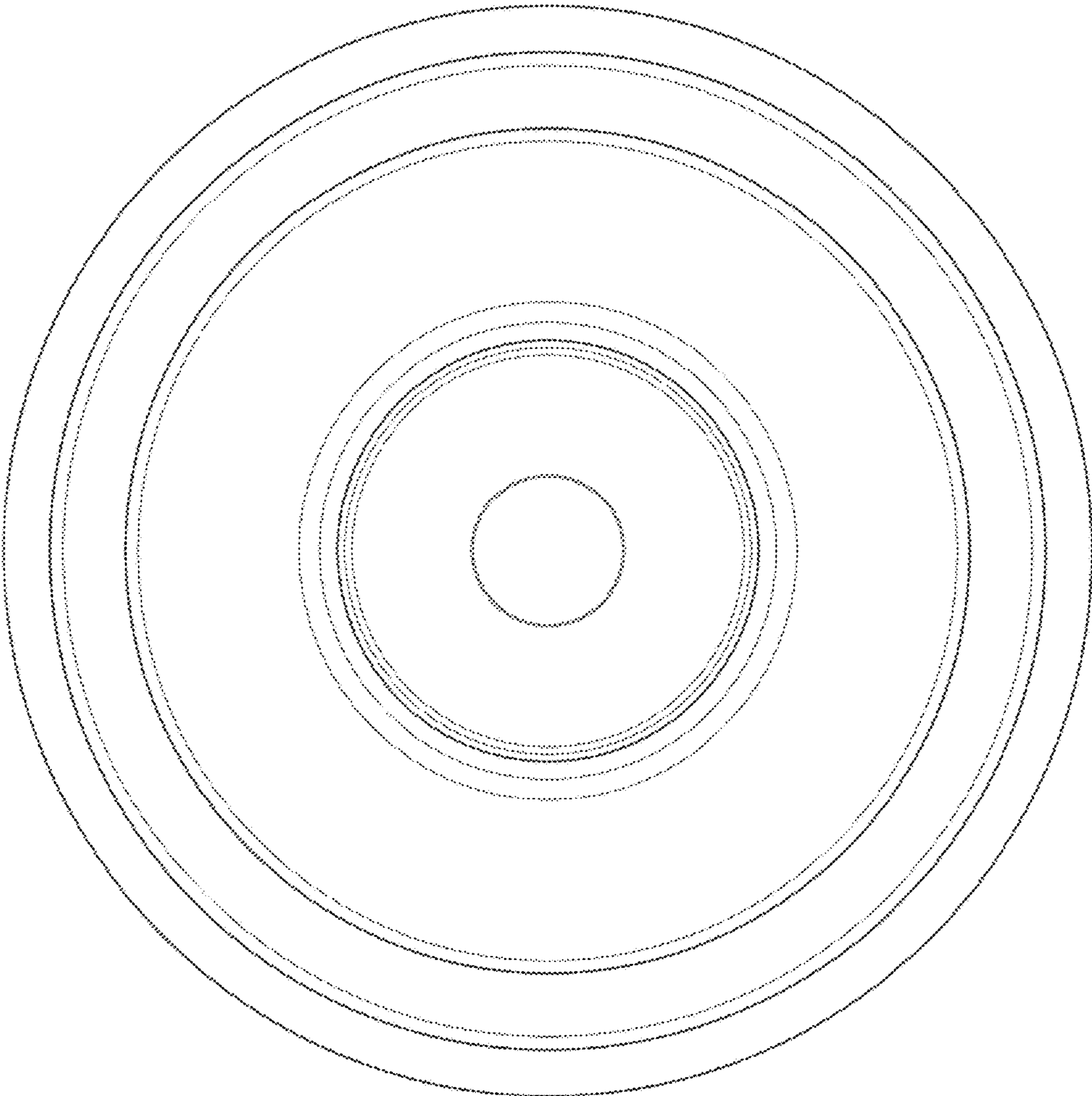


FIG. 17

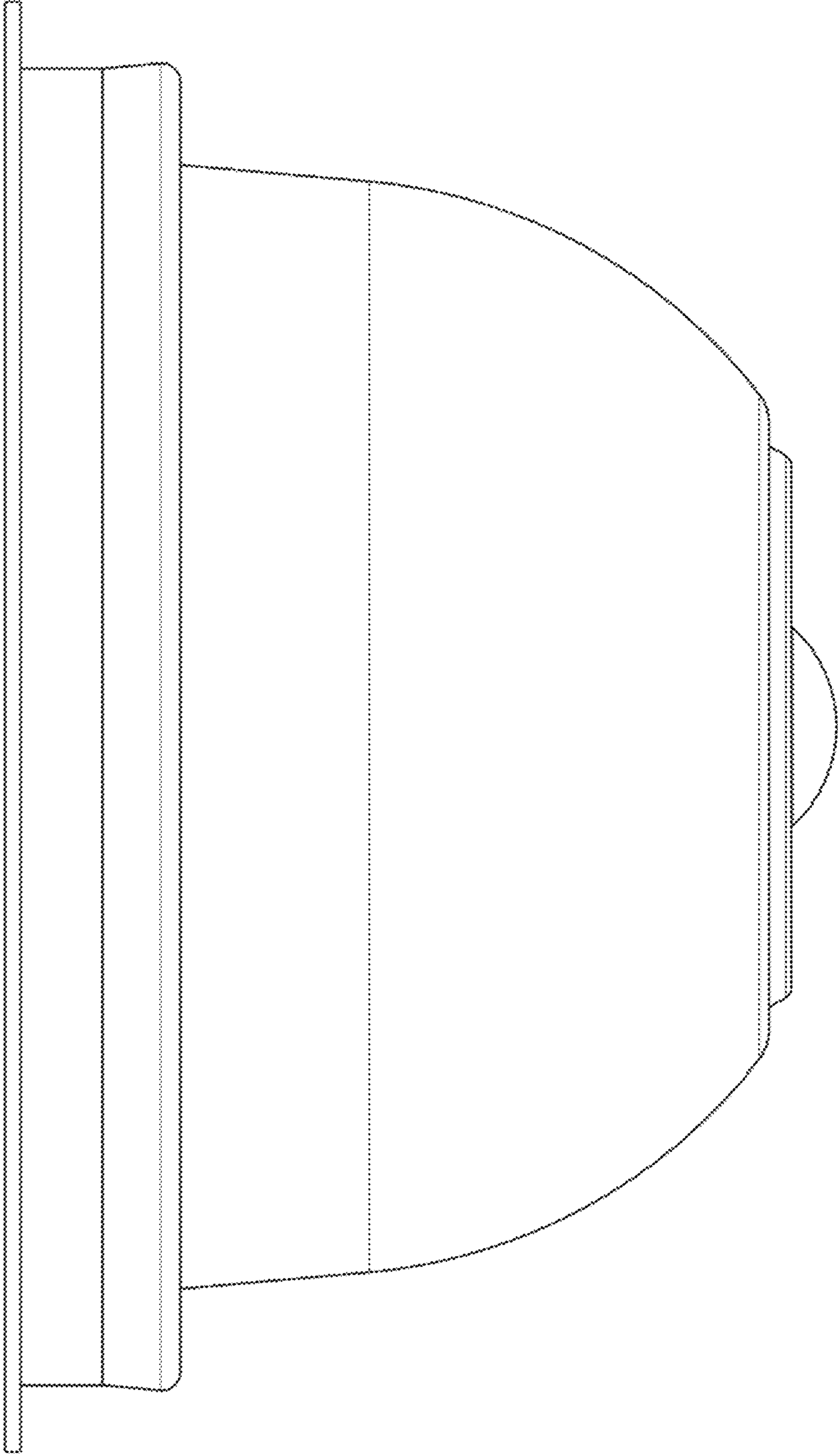


FIG. 18

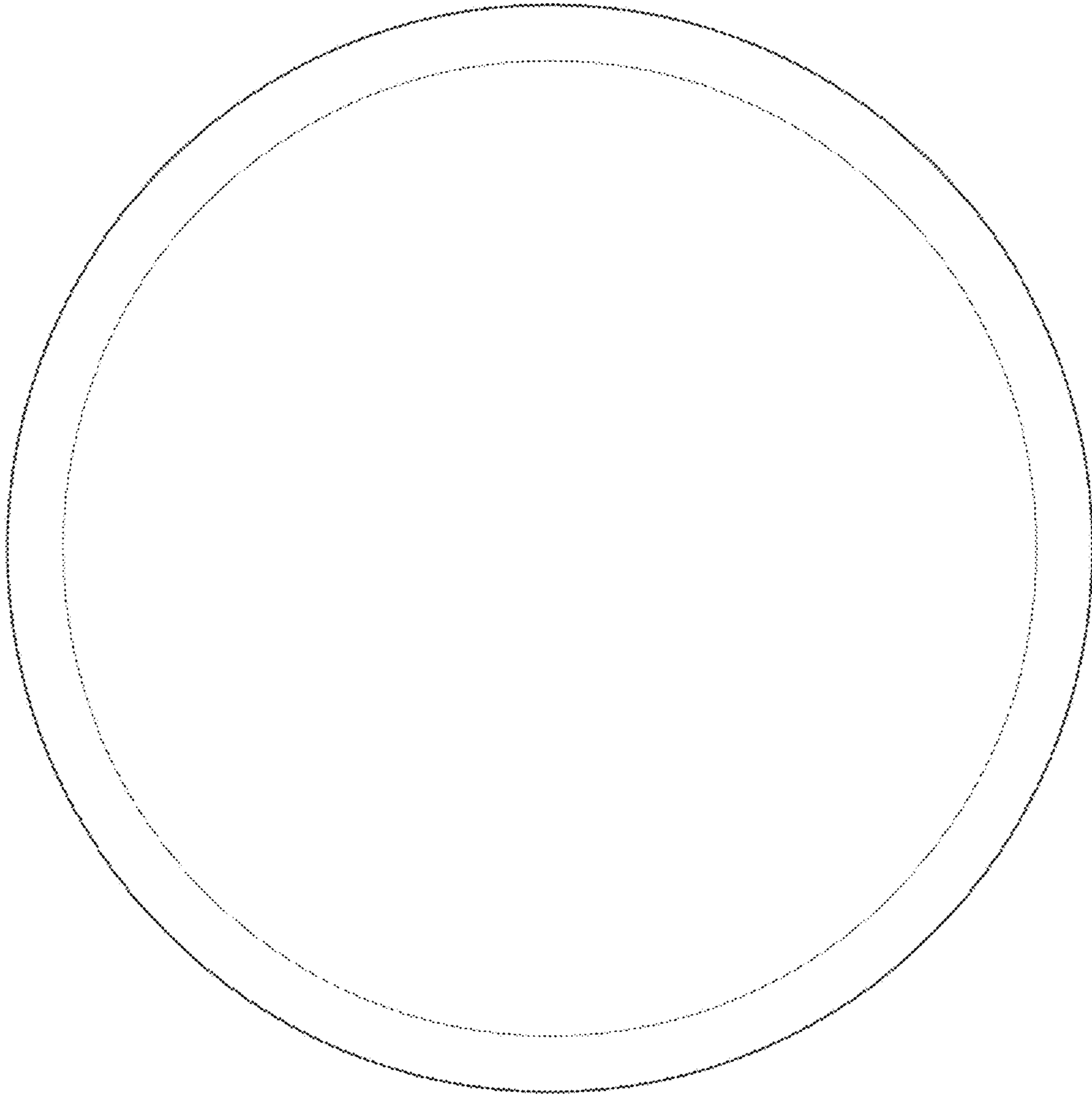


FIG. 19

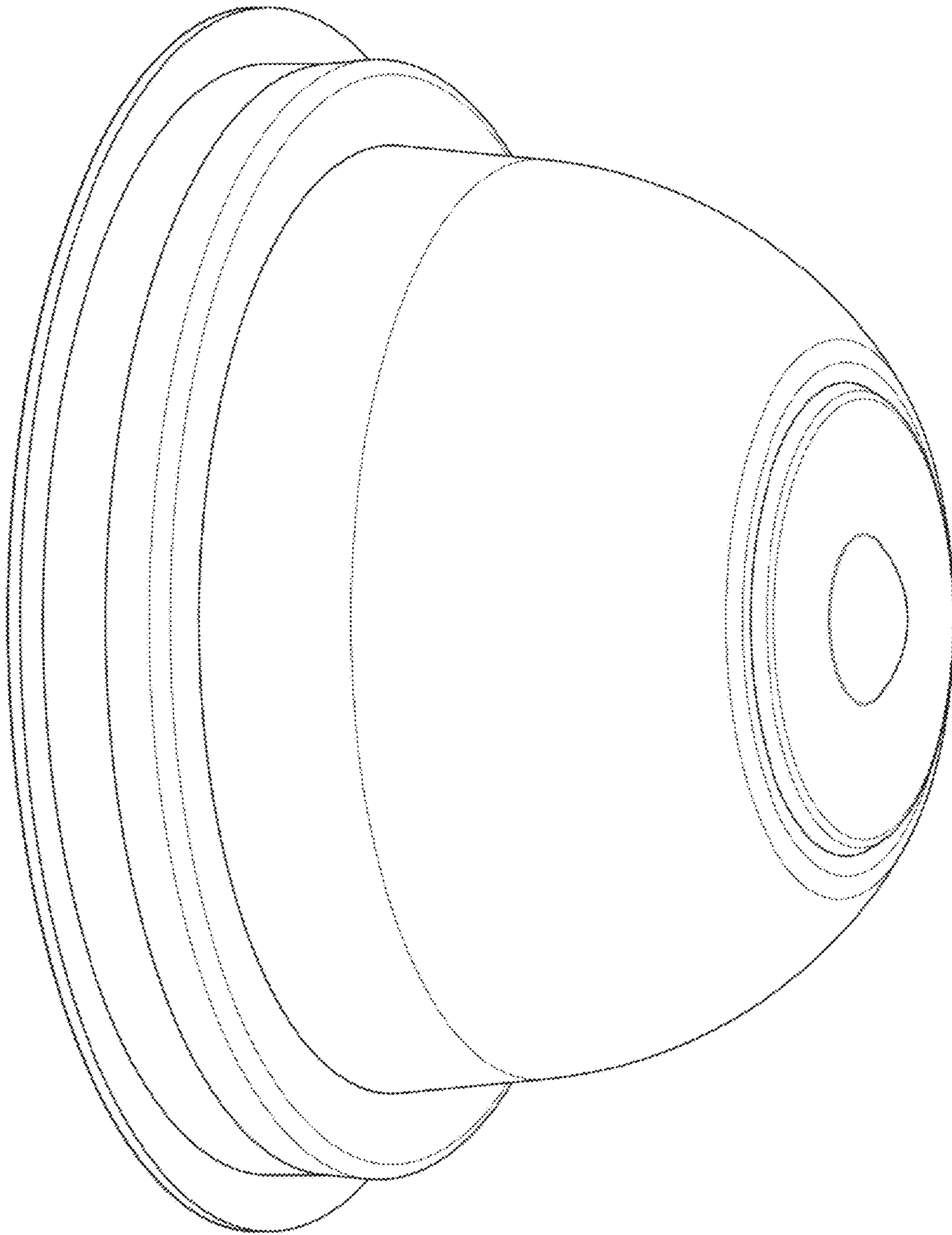


FIG. 20