



US00D826052S

(12) **United States Design Patent**
Harris et al.

(10) **Patent No.: US D826,052 S**
(45) **Date of Patent: ** Aug. 21, 2018**

- (54) **CONTAINER**
- (71) Applicant: **Owens-Brockway Glass Container Inc., Perrysburg, OH (US)**
- (72) Inventors: **Paul Harris, Toledo, OH (US); Douglas Laib, Perrysburg, OH (US); Mary Friedl, Cincinnati, OH (US); Nick Mason, Fort Mitchell, KY (US)**
- (73) Assignee: **Owens-Brockway Glass Container Inc., Perrysburg, OH (US)**
- (**) Term: **15 Years**
- (21) Appl. No.: **29/630,384**
- (22) Filed: **Dec. 20, 2017**
- (51) **LOC (11) Cl. 09-01**
- (52) **U.S. Cl. D9/500**
USPC
- (58) **Field of Classification Search**
USPC D9/500, 503-505, 516, 530, 537, 539, D9/544-545, 547, 549, 558, 715, 719
CPC B65D 1/00; B65D 1/02; B65D 1/0223; B65D 23/00; B65D 81/00; B65D 2501/00; B65D 2501/0009
See application file for complete search history.

- (56) **References Cited**
U.S. PATENT DOCUMENTS
D35,414 S * 12/1901 Lorenz D9/772
1,150,388 A * 8/1915 Rowe B65D 1/06
215/380
D122,058 S * 8/1940 Niver D9/500

2,551,203 A *	5/1951	Wheaton	B65D 47/265 215/313
D225,210 S *	11/1972	Becker	D9/500
D231,084 S *	4/1974	Motsch	D9/503
D240,591 S *	7/1976	Kretz	D9/500
D279,546 S *	7/1985	Marcus	D9/500
D285,533 S *	9/1986	Berish	D9/503
D651,086 S *	12/2011	Gullickson	D9/504
D743,796 S *	11/2015	Pratt	D9/500
D796,331 S *	9/2017	Eyal	D9/500
D799,900 S *	10/2017	Santos	D7/510
D814,241 S *	4/2018	Nickley	D7/510

* cited by examiner

Primary Examiner — Dana Meyrow

(57) **CLAIM**

We claim the ornamental design for a container, as shown and described.

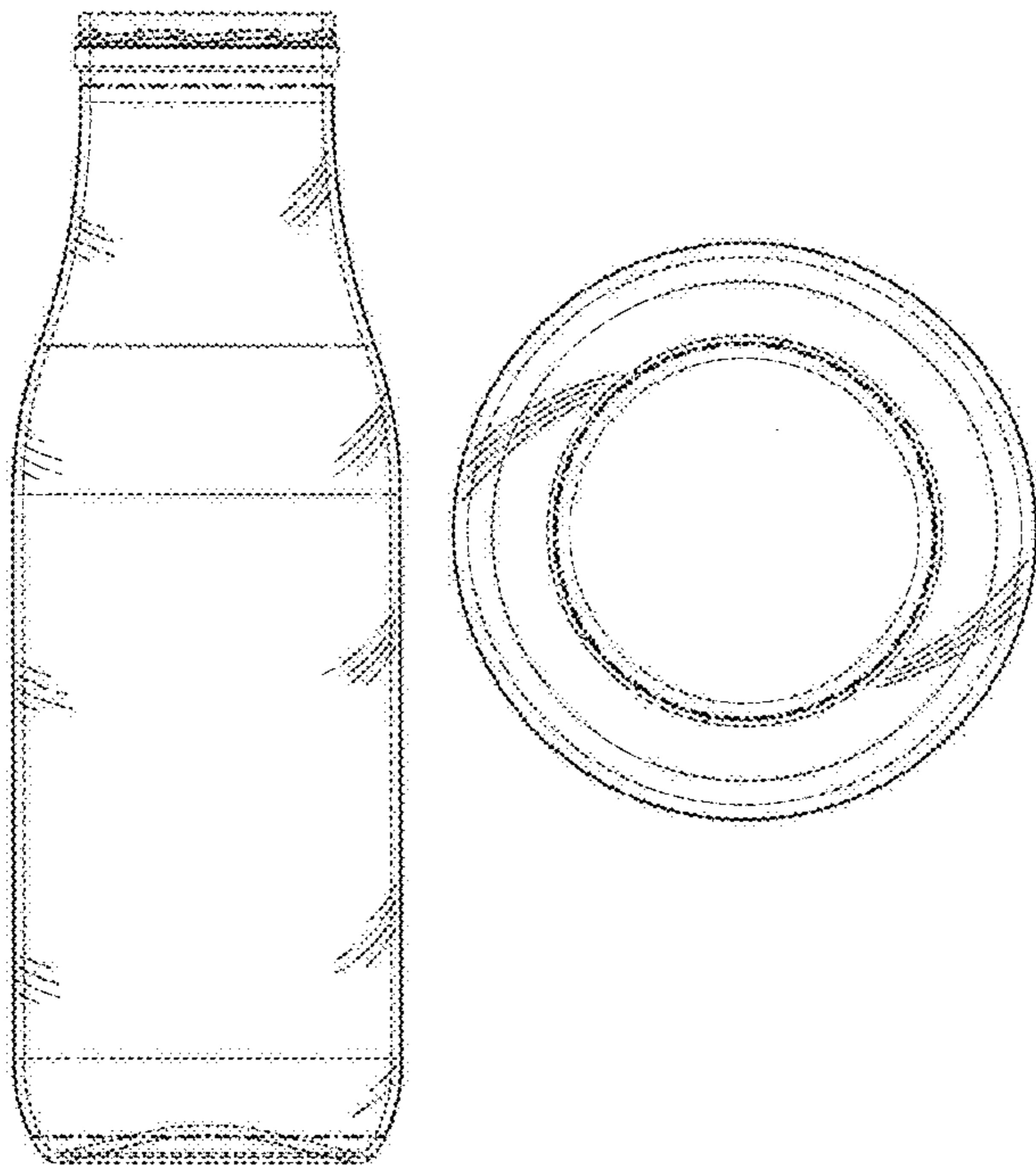
DESCRIPTION

FIG. 1 is a perspective view of a container in accordance with an illustrative embodiment of our new claimed design. FIG. 2 is a front view of the container in FIG. 1, the rear and side views of the claimed design being substantially the same as the front view of FIG. 2.

FIG. 3 is an enlarged top view of the container in FIG. 1; and, FIG. 4 is an enlarged bottom view of the container in FIG. 1.

Dash-dash-dash broken lines shown in the drawings represent subject matter that is not part of the claimed design. Dash-dot-dash broken lines shown in the drawings represent boundaries of the claimed design and are not part of the claimed design.

1 Claim, 2 Drawing Sheets



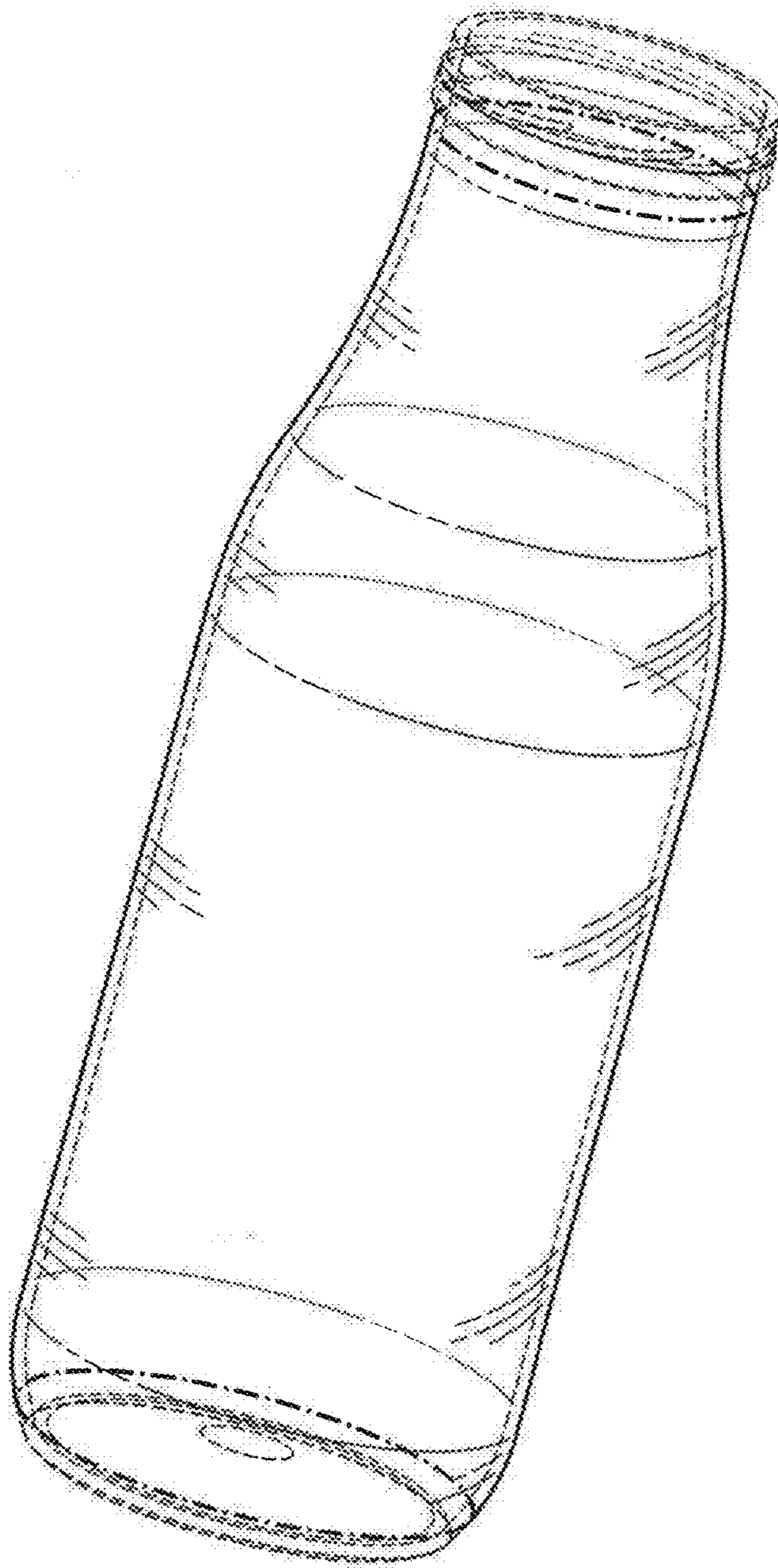


FIG. 1

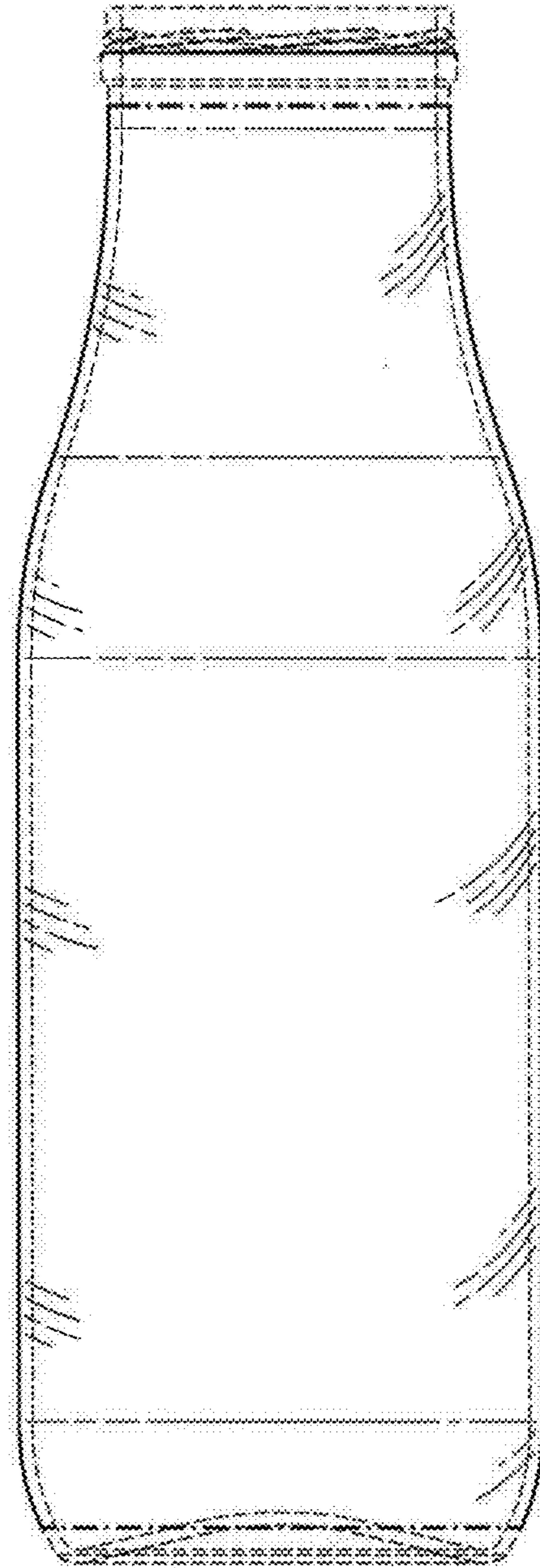


FIG. 2

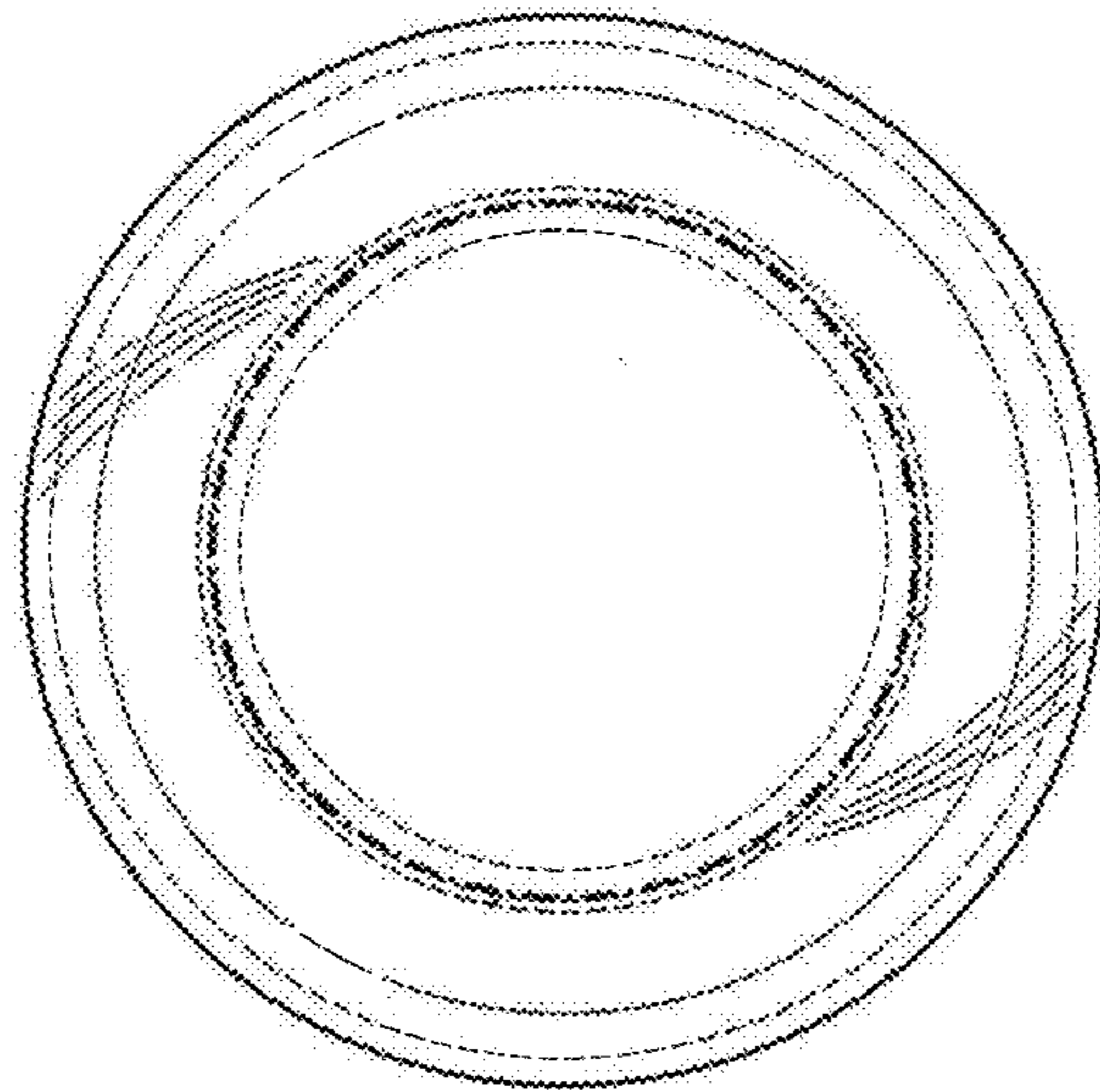


FIG. 3

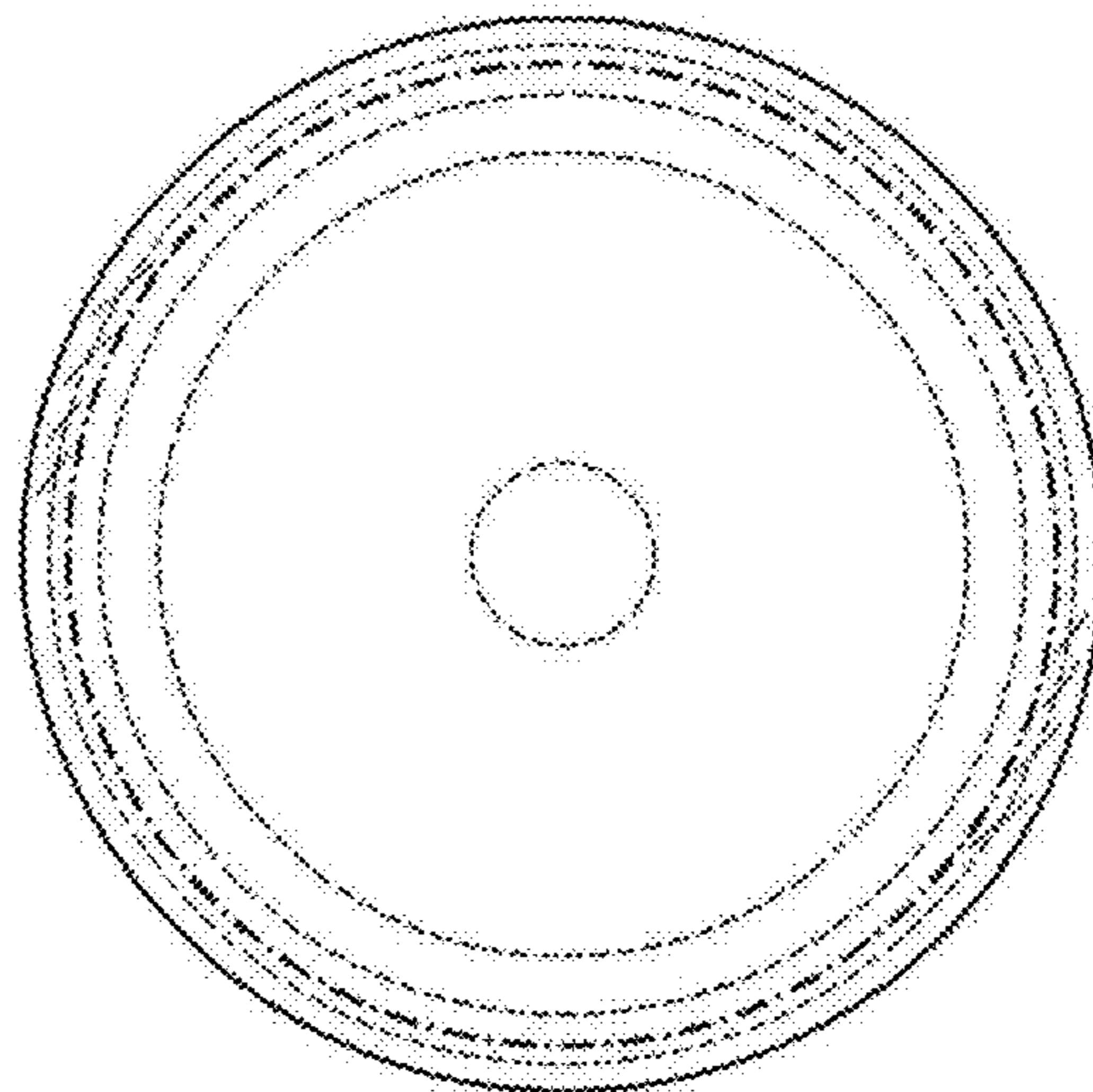


FIG. 4