



US00D826047S

(12) **United States Design Patent**
Griffis

(10) **Patent No.:** **US D826,047 S**

(45) **Date of Patent:** **** Aug. 21, 2018**

(54) **BOTTLE RING**

(71) Applicant: **Shawn Griffis**, La Jolla, CA (US)

(72) Inventor: **Shawn Griffis**, La Jolla, CA (US)

(73) Assignee: **Szent Co.**, Santa Monica, CA (US)

(**) Term: **15 Years**

(21) Appl. No.: **29/598,879**

(22) Filed: **Mar. 29, 2017**

(51) **LOC (11) Cl.** **09-07**

(52) **U.S. Cl.**
USPC **D9/452; D9/454**

(58) **Field of Classification Search**
USPC D3/202, 203.1, 203.2, 203.3, 203.4, 207,
D3/208, 240, 276, 318; D7/387, 392,
D7/392.1, 396.1, 396.2, 397, 398, 601,
D7/602, 708.1, 619.1, 620, 622, 632, 633;
D8/18; D9/434-438, 440, 443-449,
D9/453-457, 499, 516, 522, 537, 549,
D9/562, 715, 718, 719, 722, 738, 739,
D9/746; D11/4, 3, 26, 29, 37-39;
D20/22, 27; D23/259; D30/152
CPC B65D 23/12; B65D 41/04; B65D 51/24;
B65D 1/0246; A61L 9/12
See application file for complete search history.

(56) **References Cited**

U.S. PATENT DOCUMENTS

D28,746 S *	5/1898	Blount	D9/434
D30,338 S *	3/1899	Mann	D9/434
D32,681 S *	5/1900	Morgenthaler	D9/434
D44,392 S *	7/1913	Whitney	D9/434
D159,985 S	9/1950	Heisey		
D172,090 S	5/1954	Pree		
3,043,464 A	3/1959	Cerasari		
D206,889 S	2/1967	Benes		
3,409,181 A	11/1968	McDonnell		

D230,187 S	1/1974	Schultz
D256,003 S	7/1980	Barr
4,540,721 A	9/1985	Staller
D288,902 S	3/1987	Lewis
4,687,203 A	8/1987	Spector
4,717,017 A	1/1988	Sprinkel et al.
D319,035 S	8/1991	Kruse
5,165,603 A	11/1992	Hahn

(Continued)

OTHER PUBLICATIONS

Etsy. Mini Orange Plastic Soda Bottle Rings/Safety Seals. Mar. 23, 2018 [earliest online date], [site visited Apr. 23, 2018]. Available from Internet, <URL:https://etsy.me/2HSzu7F>. (Year: 2018).*

(Continued)

Primary Examiner — Eric L Goodman
Assistant Examiner — Darcey E Heflin
(74) *Attorney, Agent, or Firm* — Perkins Coie LLP

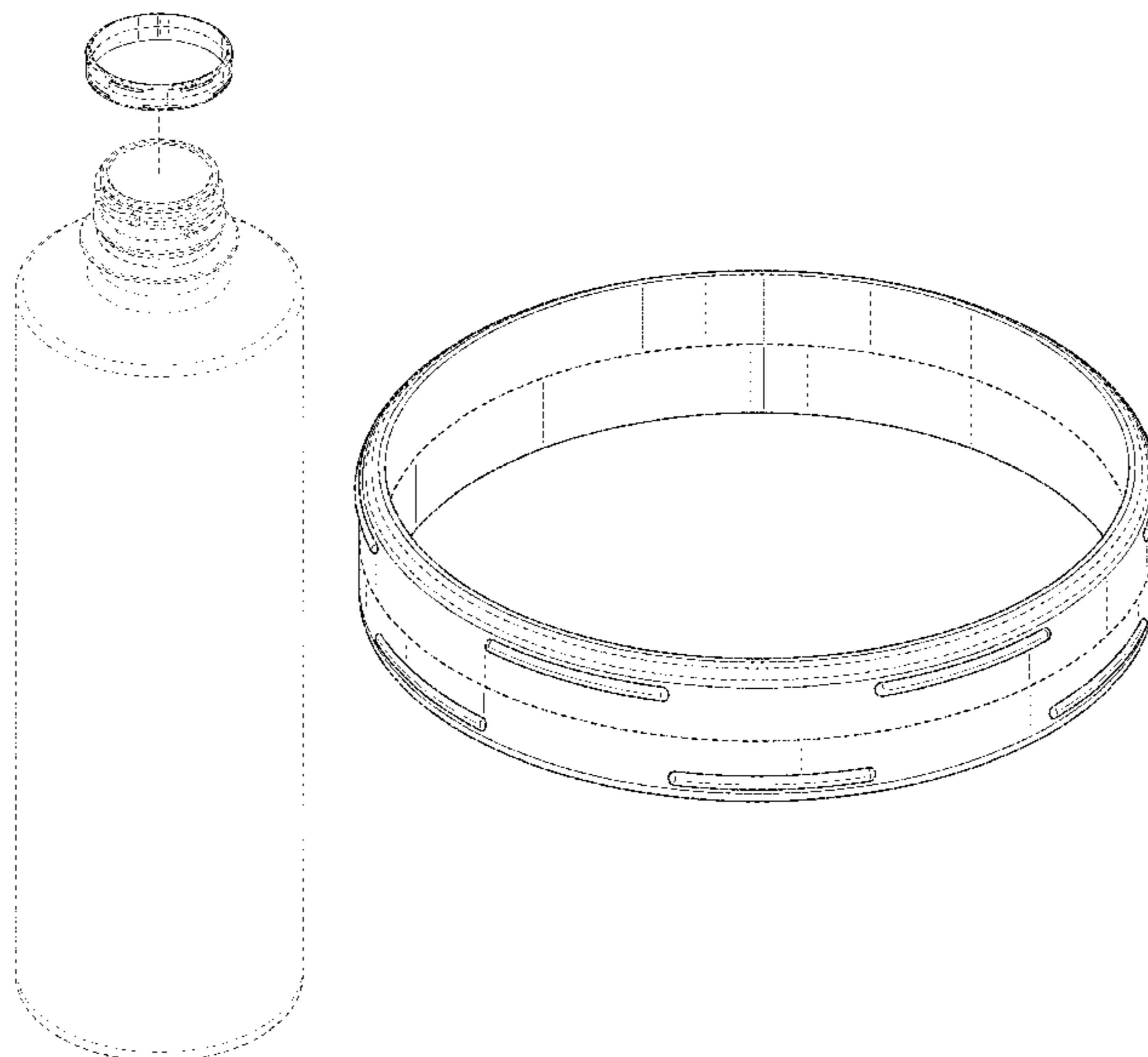
(57) **CLAIM**

The ornamental design for a bottle ring, as shown and described.

DESCRIPTION

FIG. 1 is an exploded view of the a bottle ring;
FIG. 2 is an isometric view of the bottle ring of FIG. 1 when positioned on a bottle;
FIG. 3 is a frontal view of the bottle ring of FIG. 1 when positioned on a bottle;
FIG. 4 is a zoomed-in version of the isometric view of the bottle ring of FIG. 1;
FIG. 5 is a top view of the bottle ring of FIG. 4;
FIG. 6 is a frontal view of the bottle ring of FIG. 4; and,
FIG. 7 is a cross-sectional view of the bottle ring of FIG. 4 along the plane identified in FIG. 5.
The broken-line disclosure represents portions of the bottle ring or bottle which form no part of the claimed design.

1 Claim, 6 Drawing Sheets



(56)

References Cited

U.S. PATENT DOCUMENTS

5,249,676 A 10/1993 Ashcraft et al.
D348,836 S * 7/1994 McCallum D7/397
5,477,640 A 12/1995 Holtkamp, Jr.
D372,765 S 8/1996 Sisk
D374,837 S 10/1996 Austin
5,635,229 A 6/1997 Ray
D394,824 S 6/1998 Itzkowitz
5,795,644 A 8/1998 Delarosa
6,006,472 A 12/1999 Holtkamp, Jr.
6,045,833 A 4/2000 Landau
6,102,224 A 8/2000 Sun
6,112,749 A 9/2000 Hall et al.
6,290,914 B1 9/2001 LeJune et al.
D453,000 S 1/2002 Shinjo
D457,783 S 5/2002 Bodum
D468,492 S * 1/2003 Wilhelm D30/152
6,511,726 B1 1/2003 Kinigakis
D501,625 S * 2/2005 Biggerstaff D7/213
7,005,152 B2 2/2006 Landau
D533,747 S 12/2006 Jin
D533,802 S 12/2006 Thompson et al.
D534,428 S 1/2007 Reed et al.
D535,210 S 1/2007 Park
D545,235 S 6/2007 Carter-Smith et al.
7,284,711 B2 10/2007 Reed et al.
7,470,035 B1 12/2008 Benitez
D587,118 S * 2/2009 Sadiq D9/516
7,484,675 B2 2/2009 Brown
D592,950 S * 5/2009 Kopulos D7/396.2
D600,115 S * 9/2009 Trayser D9/434
D614,247 S 4/2010 Clausen
D615,816 S 5/2010 Joy et al.
D617,426 S 6/2010 Leyfang
7,748,557 B2 7/2010 Robinson
D635,352 S * 4/2011 Himley D3/208
D646,600 S * 10/2011 Minkinen D11/3
D662,767 S * 7/2012 Hotell D7/396.2
8,364,028 B1 1/2013 Vaske et al.
8,440,265 B2 5/2013 Duan
8,474,637 B2 7/2013 Zhang et al.
D696,952 S * 1/2014 Sawicki D9/516
8,708,189 B2 4/2014 Reitzig
D734,670 S 7/2015 Griffis
D752,975 S * 4/2016 Gatto D9/434
D753,490 S * 4/2016 O'Donahue D9/455
9,302,830 B2 4/2016 Ramsey et al.
D776,529 S * 1/2017 Torrison D9/435
D791,591 S 7/2017 Berge
D795,021 S * 8/2017 Lindloff D7/620
9,801,969 B2 10/2017 Griffis
D807,173 S 1/2018 Cooper et al.
2002/0139093 A1 10/2002 Landau
2002/0190023 A1 12/2002 Landau

2005/0196571 A1 9/2005 Penny et al.
2006/0246265 A1 11/2006 Rogers et al.
2006/0278542 A1 12/2006 Pham et al.
2006/0278543 A1 12/2006 Pham
2006/0291756 A1 12/2006 Thomas et al.
2007/0023301 A1 2/2007 Pham
2009/0078786 A1 3/2009 Slade
2009/0098026 A1 4/2009 Wood
2009/0155505 A1 6/2009 Wagenheim
2009/0258118 A1 10/2009 Gillian
2010/0323134 A1 12/2010 Bostian et al.
2011/0253584 A1 10/2011 Duan
2012/0006909 A1 1/2012 Zhang et al.
2013/0043245 A1 2/2013 Griffis
2013/0056551 A1 3/2013 Zhang et al.
2013/0062239 A1 3/2013 Key
2013/0105066 A1 5/2013 Landau
2013/0276339 A1 10/2013 Hernandez et al.
2015/0027974 A1 * 1/2015 Niec B65D 1/0207
215/44
2015/0329247 A1 * 11/2015 Lou B65D 41/04
220/288
2017/0239382 A1 8/2017 Griffis
2017/0326263 A1 11/2017 Griffis
2018/0043047 A1 * 2/2018 Griffis B65D 23/12

OTHER PUBLICATIONS

The New York Times. Mystery in Sochi Doping Case Lies With Tamper-Proof Bottle by Rebecca R. Ruiz. May 13, 2016 [earliest online date], [site visited Apr. 23, 2018]. Available from Internet, <URL:https://www.nytimes.com/2016/05/14/sports/russia-doping-bottles-olympics-2014.html>. (Year: 2016).*

High-Tech Cocktail Glass Lets You Experience Plain Water as the Perfect Cocktail, Oddity Central, available at <http://www.odditycentral.com/technology/high-tech-cocktail-glass-lets-you-experience-plain-water-as-the-perfect-cocktail.html>, Nov. 20, 2017.

First Action Interview Pilot Program Pre-Interview Communication for U.S. Appl. No. 15/782,720, dated Apr. 2, 2018 (6 pages).

Non-Final Office Action for U.S. Appl. No. 15/663,534, dated Apr. 2, 2018 (26 pages).

Flavour Bottle: The world's first flavored bottle, available at <https://www.kickstarter.com/projects/flavourtechnologies/flavour-bottle-the-worlds-first-flavored-bottle/description>.

Forever Gifts. Beveled Edge Black Tungsten Wedding Band. Apr. 26, 2017 [earliest online date], [site visited Apr. 26, 2018]. Available from Internet, <URL:https://www.forevergifts.com/beveled-edge-black-tungsten-wedding-band-free-engraving/>. (Year: 2017).

International Search Report and Written Opinion for International Application No. PCT/US18/24630, dated Apr. 23, 2018 (7 pages).

Non-Final Office Action for U.S. Appl. No. 29/298,882, dated May 1, 2018 (29 pages).

* cited by examiner

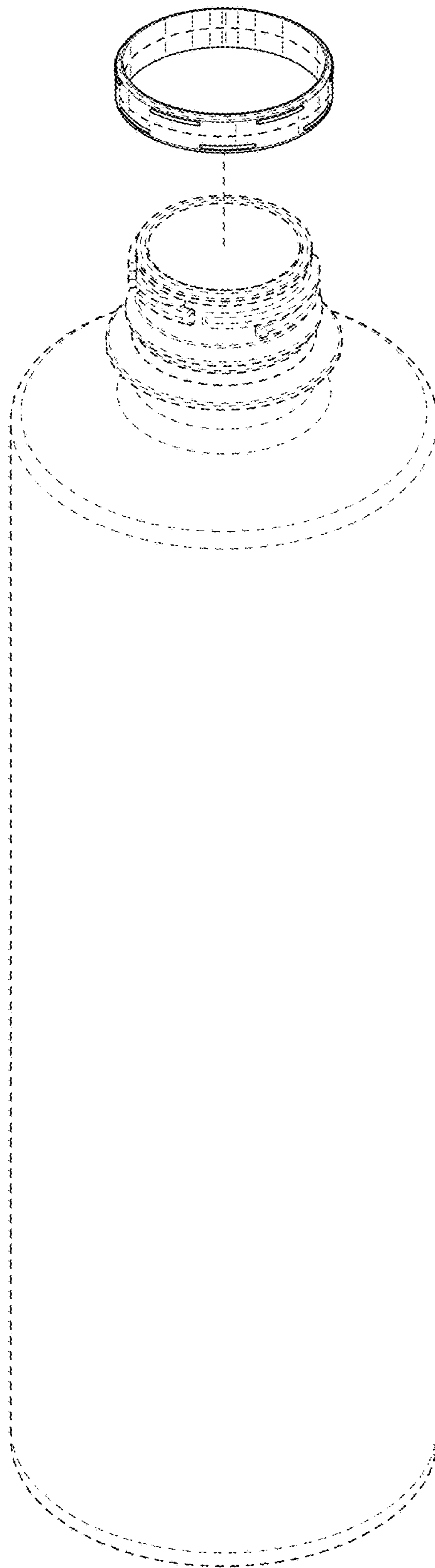


Fig. 1

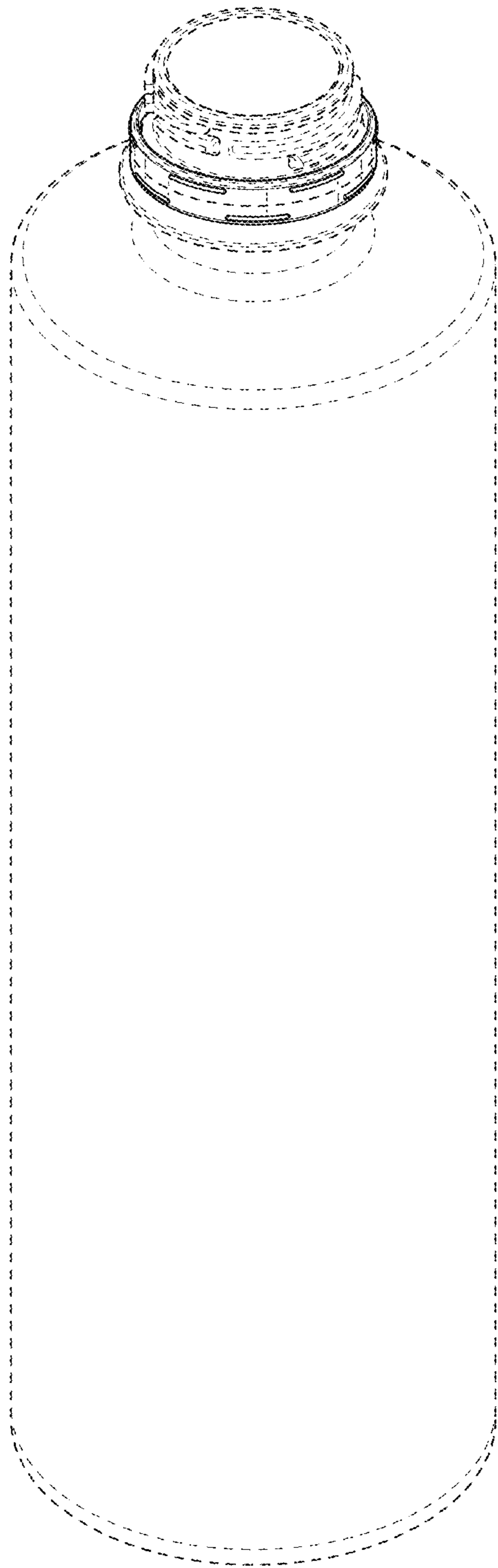


Fig. 2

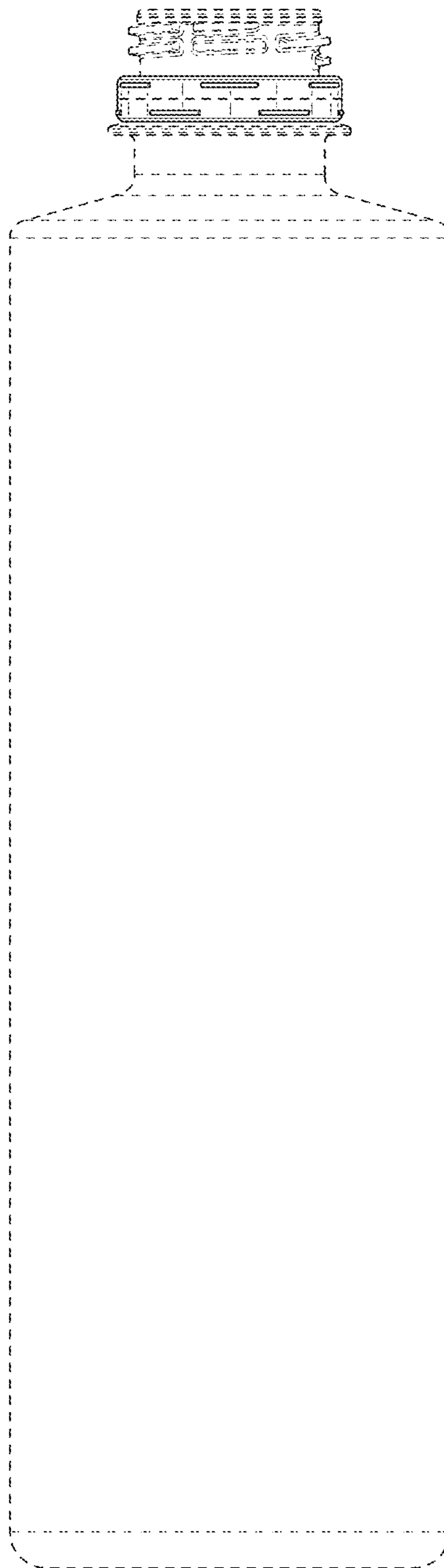


Fig. 3

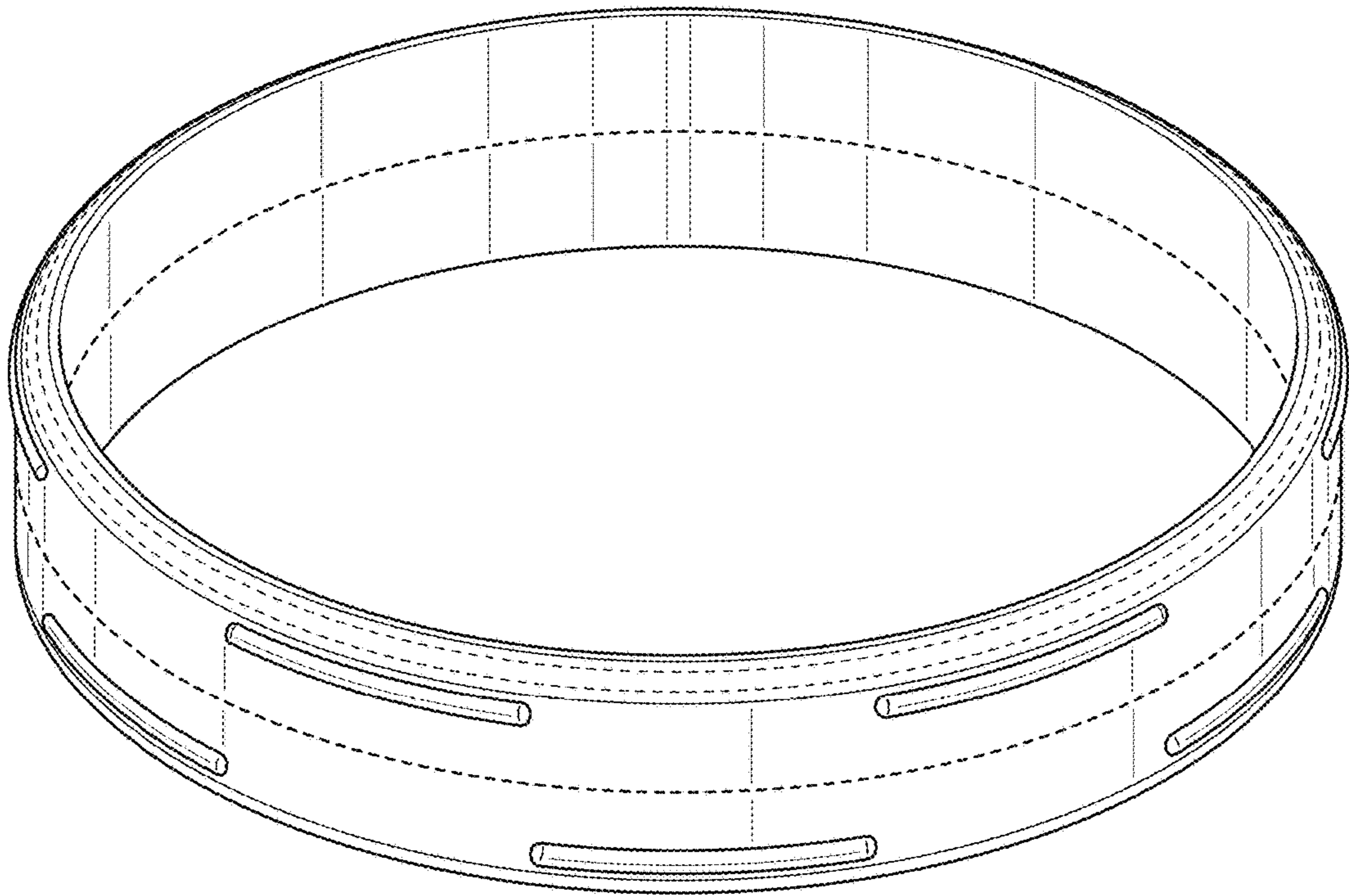


Fig. 4

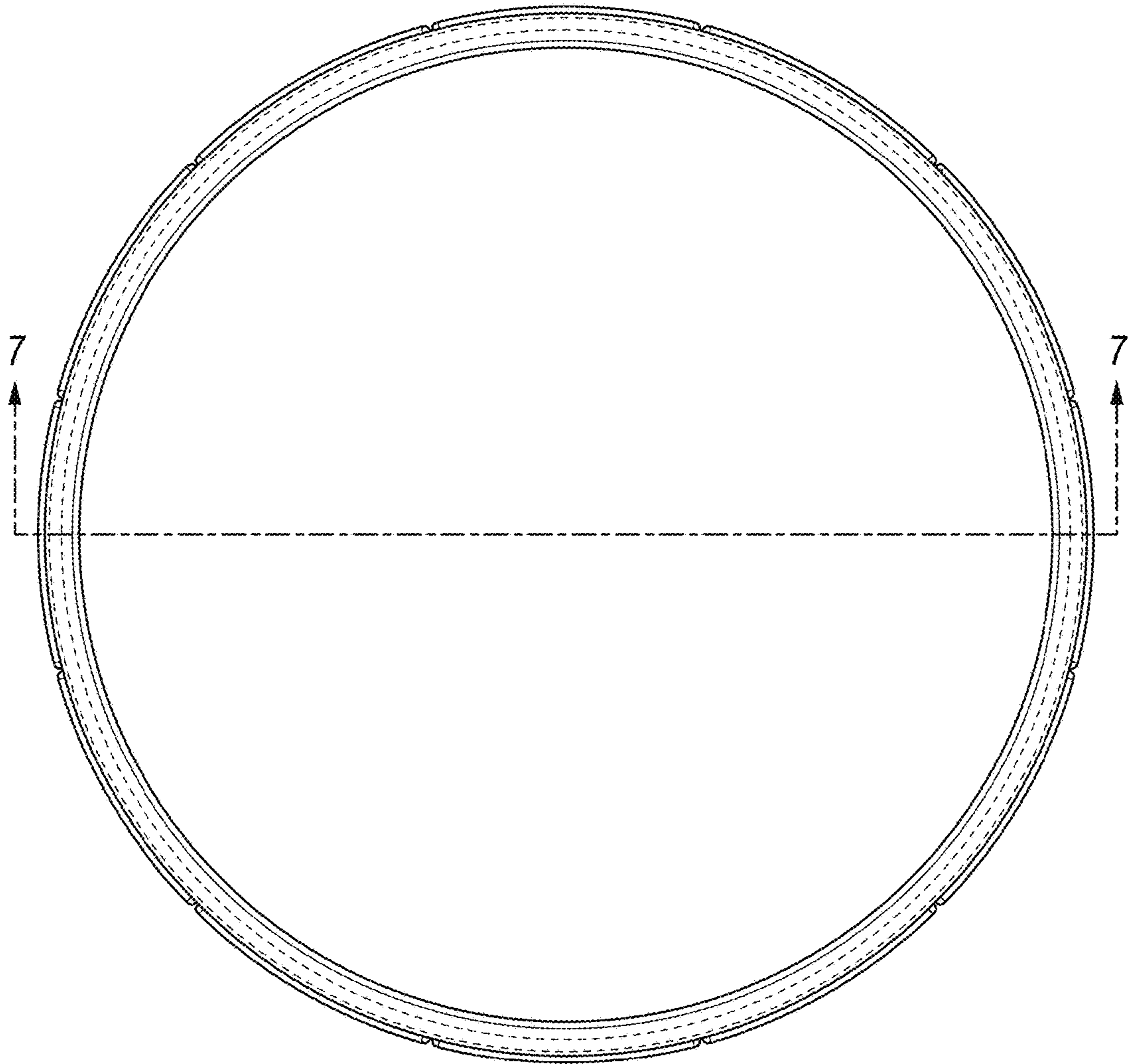


Fig. 5

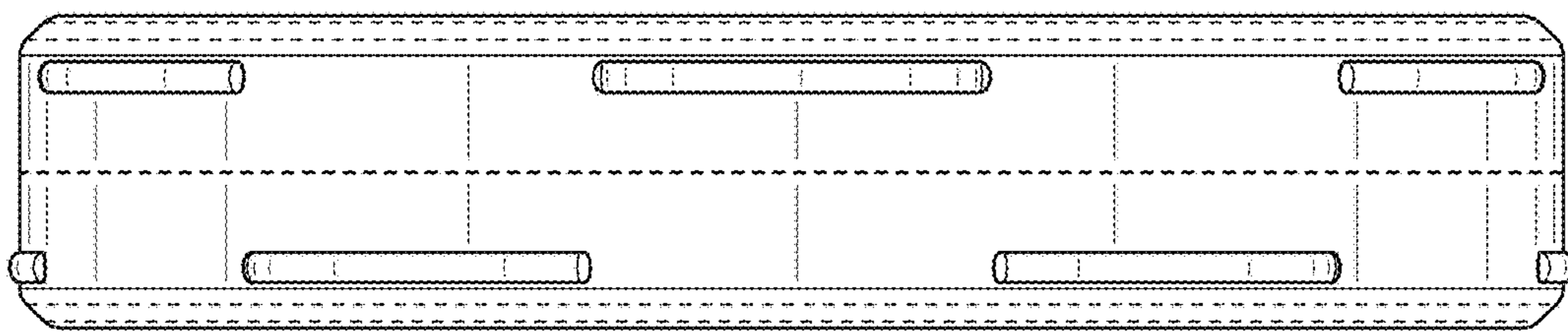


Fig. 6

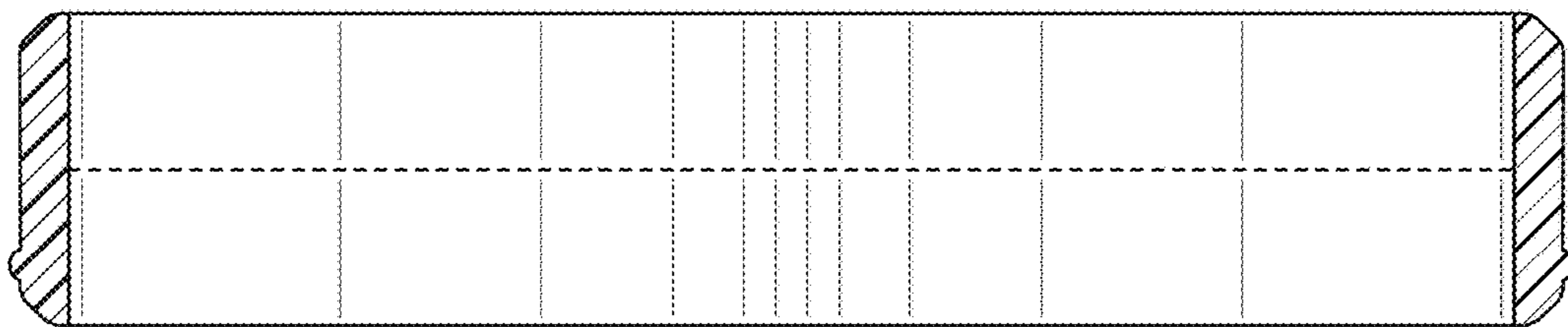


Fig. 7