



US00D826046S

(12) **United States Design Patent** (10) **Patent No.:** **US D826,046 S**
Niles (45) **Date of Patent:** **** Aug. 21, 2018**

(54) **STOPPER FOR A DESIGNER DECANTER**

(71) Applicant: **Ruth Niles**, Newville, PA (US)

(72) Inventor: **Ruth Niles**, Newville, PA (US)

(**) Term: **15 Years**

(21) Appl. No.: **29/620,491**

(22) Filed: **Jan. 13, 2017**

(51) **LOC (11) Cl.** **09-07**

(52) **U.S. Cl.**
USPC **D9/439**

(58) **Field of Classification Search**

USPC D9/414, 415, 424, 425, 434, 435, 436,
D9/443, 444-452, 454-456, 499, 529,
D9/682, 685, 686, 439, 440, 544;
D7/387, 391, 392, 392.1, 396.1, 396.2,
D7/396.3, 396.4, 397, 398, 401.1, 507,
D7/509-511, 538, 900, 514, 515, 700;

(Continued)

(56) **References Cited**

U.S. PATENT DOCUMENTS

730,729 A * 6/1903 Wust B65D 39/08
215/356

D56,108 S * 8/1920 Rustant D9/439
(Continued)

Primary Examiner — Michael Aaron Pratt

Assistant Examiner — Wendy L Arminio

(74) *Attorney, Agent, or Firm* — Sandra M. Kotin

(57) **CLAIM**

The ornamental design for a stopper for a designer decanter, as shown and described.

DESCRIPTION

FIG. 1 is a top plan view of the stopper for a designer decanter according to the present design;

FIG. 2 is a right side elevational view thereof;

FIG. 3 is a front elevational view thereof;

FIG. 4 is a left side elevational view thereof;

FIG. 5 is a bottom plan view thereof;

FIG. 6 is a rear elevational view thereof;

FIG. 7 is an exploded front perspective view of the stopper for a designer decanter shown with the O-rings removed and relocated below the stopper for clarity of disclosure;

FIG. 8 is a top perspective view thereof;

FIG. 9 is a bottom perspective view thereof;

FIG. 10 is a top plan view of a second embodiment of the stopper for a designer decanter according to the present design;

FIG. 11 is a right side elevational view thereof;

FIG. 12 is a front elevational view thereof;

FIG. 13 is a left side elevational view thereof;

FIG. 14 is a bottom plan view thereof;

FIG. 15 is a rear elevational view thereof;

FIG. 16 is an exploded front perspective view of the second embodiment of the stopper for a designer decanter shown with the O-rings removed and relocated below the stopper for clarity of disclosure;

FIG. 17 is a top perspective view thereof;

FIG. 18 is a bottom perspective thereof;

FIG. 19 is a top plan view of a third embodiment of the stopper for a designer decanter according to the present design;

FIG. 20 is a right side elevational view thereof;

FIG. 21 is front elevational view thereof;

FIG. 22 is a left side elevational view thereof;

FIG. 23 is a bottom plan view thereof;

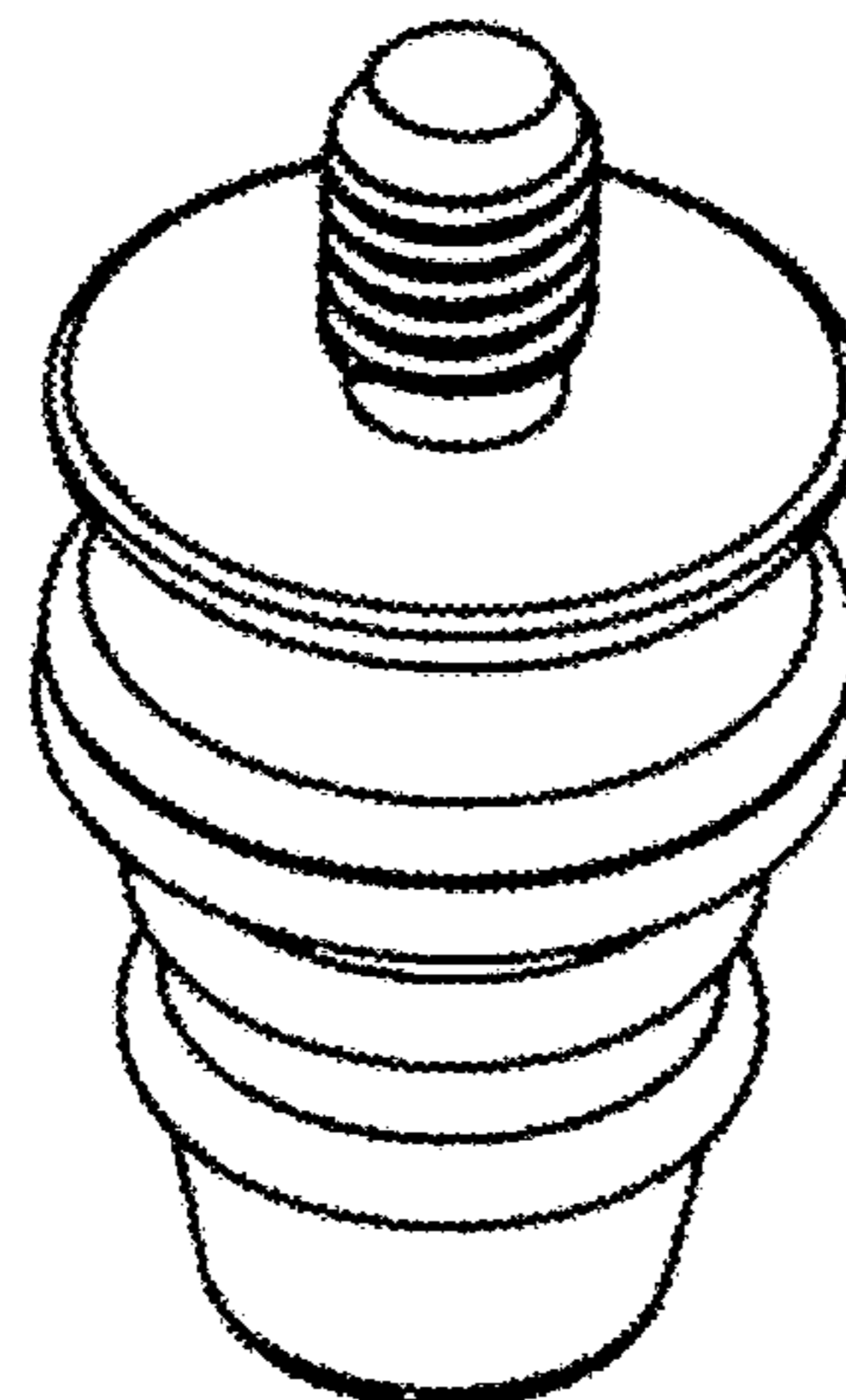
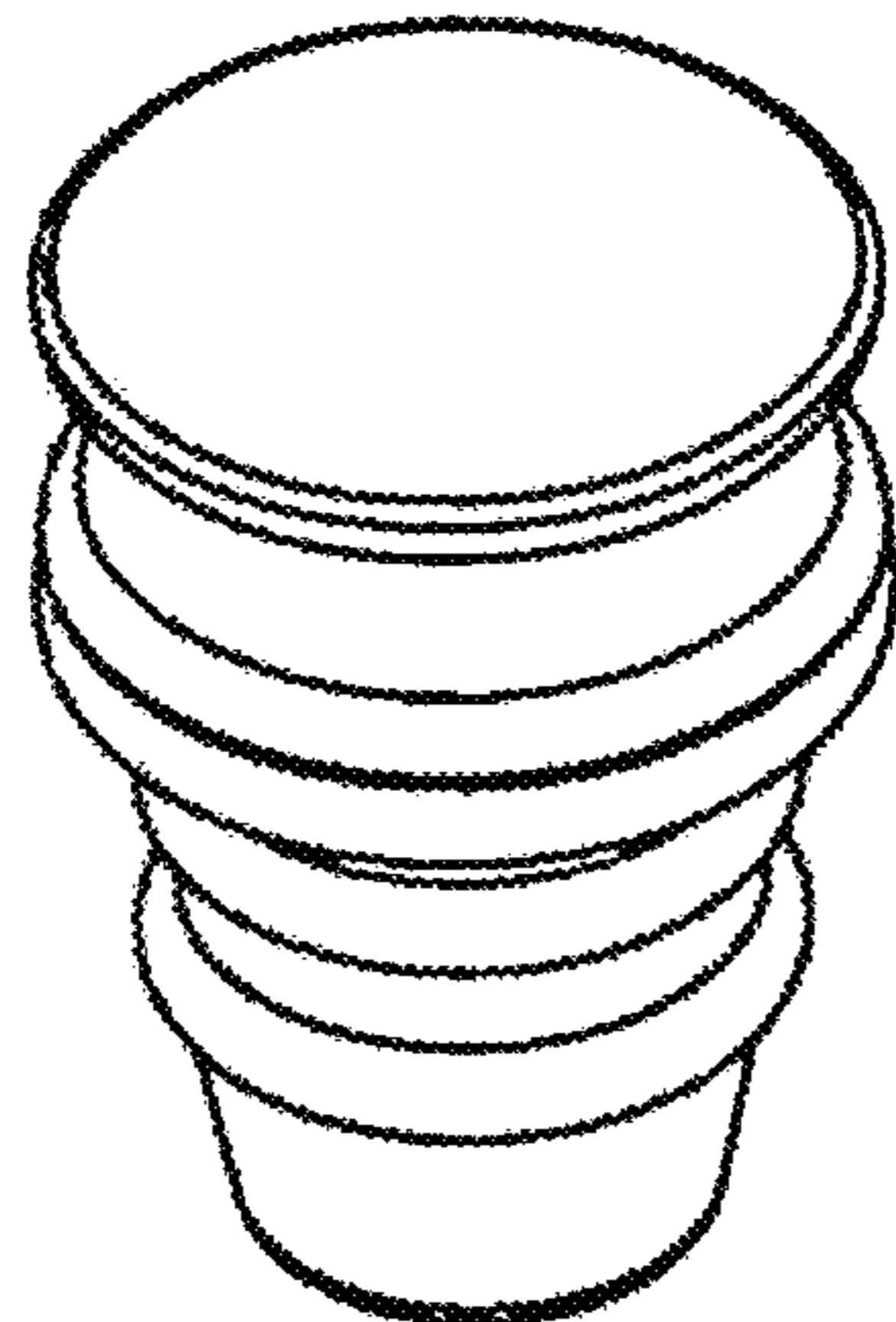
FIG. 24 is a rear elevational view thereof;

FIG. 25 is an exploded front perspective view of the third embodiment of the stopper for a designer decanter shown with the O-rings removed and relocated below the stopper for clarity of disclosure;

FIG. 26 is a top perspective view thereof; and,

FIG. 27 is a bottom perspective view thereof.

1 Claim, 6 Drawing Sheets



(58) **Field of Classification Search**

USPC D3/202, 203.2; D28/91, 91.1; D24/129,
 D24/130; D21/386; D8/378
 CPC .. A61J 1/00; A61J 1/1412; B65D 1/00; B65D
 1/02; B65D 1/10; B65D 1/46; B65D
 2585/56; B65D 2585/545; B65D 41/00;
 B65D 41/38; B65D 41/56; B65D 41/62;
 B65D 47/00; B65D 47/06; B65D 47/08;
 B65D 2543/00046; B65D 2543/00092;
 B65D 2543/00296; B65D 5/46; B65D
 2251/00

See application file for complete search history.

(56) **References Cited**

U.S. PATENT DOCUMENTS

2,921,708 A * 1/1960 Marcel B65D 39/0023
 215/230
 D241,018 S * 8/1976 De Amicis 215/200
 D296,524 S * 7/1988 Schneider D9/439
 5,261,914 A * 11/1993 Warren A61B 17/68
 606/323

D420,589 S * 2/2000 Baxter D9/439
 D533,776 S * 12/2006 Allen D9/440
 D575,639 S * 8/2008 Seeuwen D9/439
 D580,756 S * 11/2008 Seebold D9/439
 D639,657 S * 6/2011 Hoyt D9/439
 D658,478 S * 5/2012 Wall D8/349
 D674,273 S * 1/2013 Yogev D8/382
 D676,877 S * 2/2013 Drenth D15/21
 8,783,486 B1 * 7/2014 Hoyt B65D 79/005
 215/355
 D732,955 S * 6/2015 Peckels D9/440
 D735,853 S * 8/2015 Pa D24/129
 D758,853 S * 6/2016 Seeuwen D9/439
 D767,128 S * 9/2016 Debartola D24/130
 D780,574 S * 3/2017 Seeuwen D9/439
 9,751,085 B2 * 9/2017 Pa B01L 3/5635
 D805,164 S * 12/2017 Norman D23/259
 D807,114 S * 1/2018 Niles D7/392.1
 2004/0112856 A1 * 6/2004 Hwang B65D 39/0076
 215/361
 2006/0000855 A1 * 1/2006 Allen B65D 47/06
 222/484
 2015/0014367 A1 * 1/2015 VanSyckel B65D 47/121
 222/399

* cited by examiner

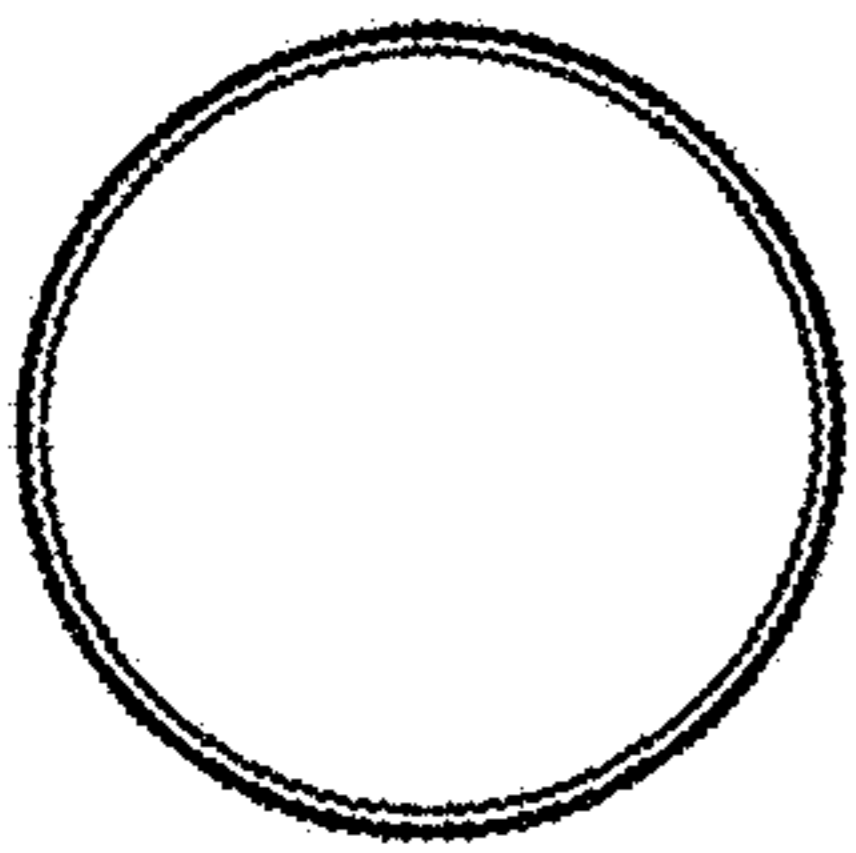


FIG. 1

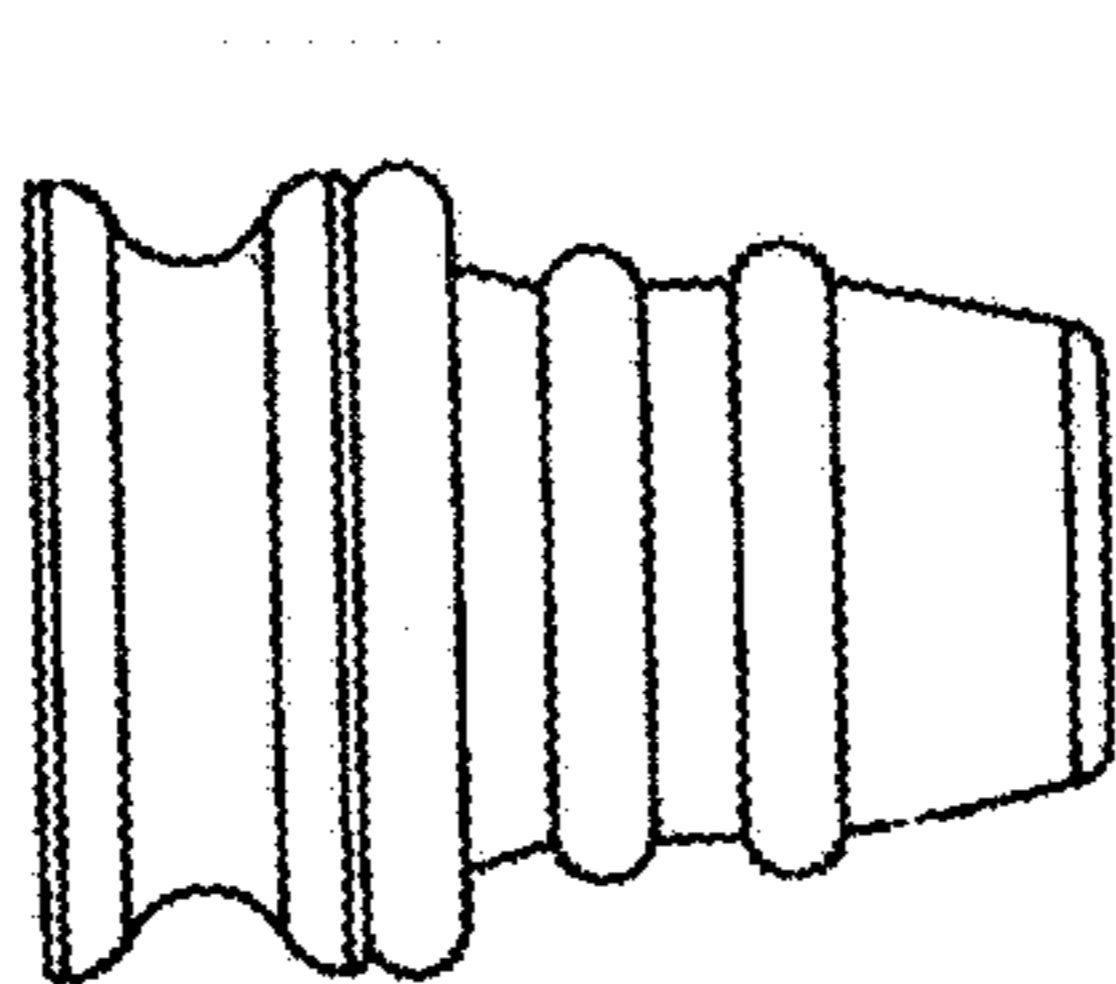


FIG. 2

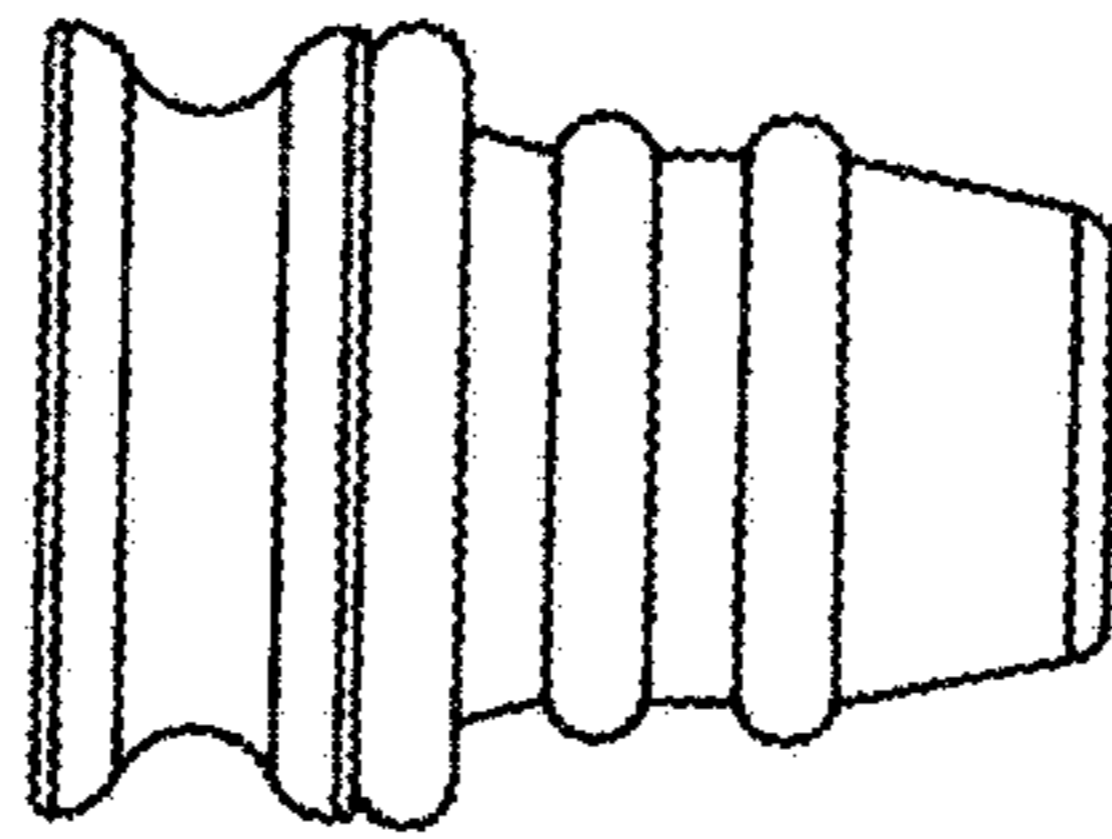


FIG. 3

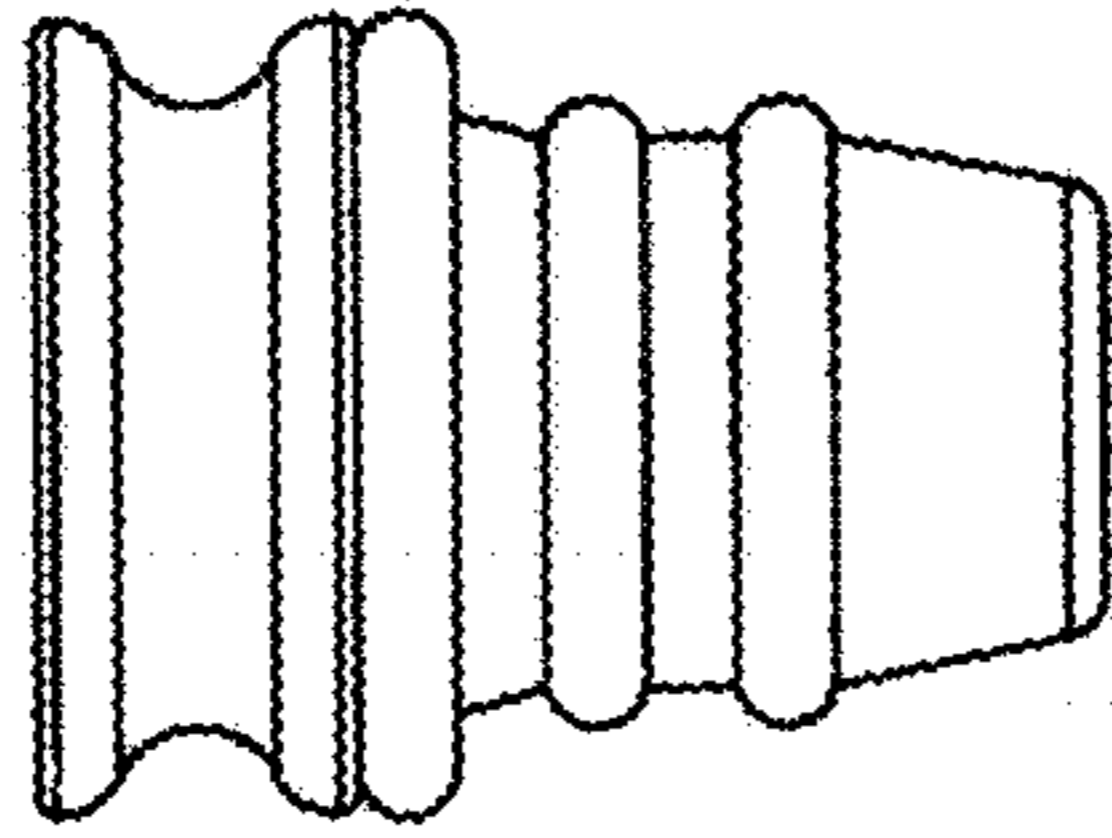


FIG. 4

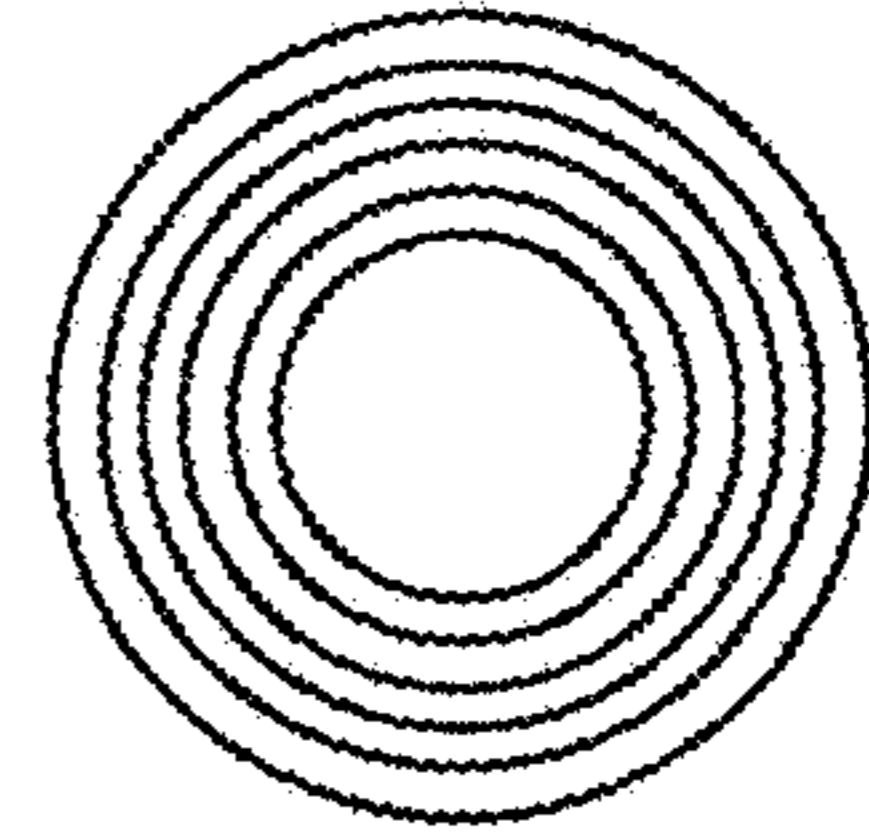


FIG. 5

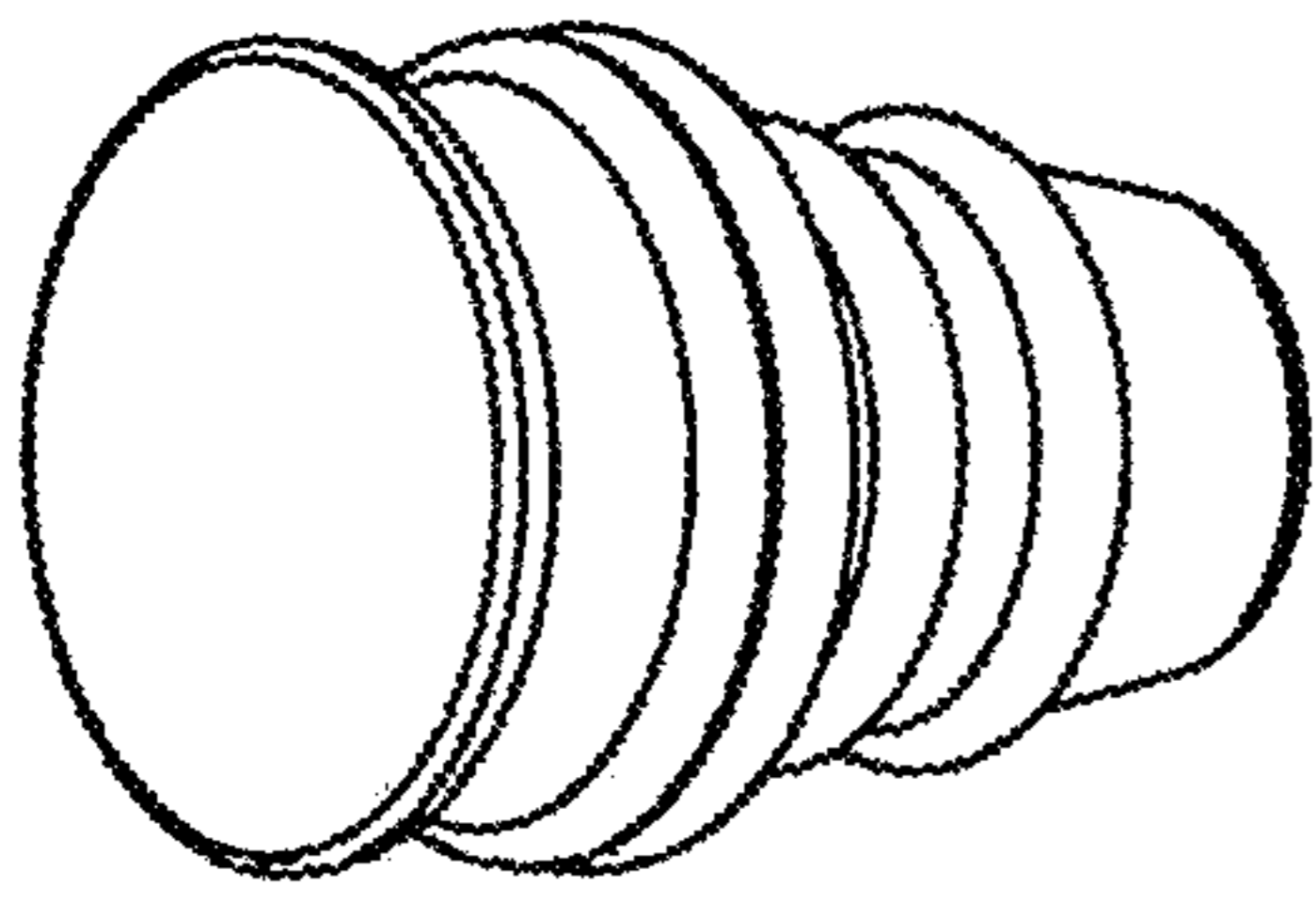


FIG. 8

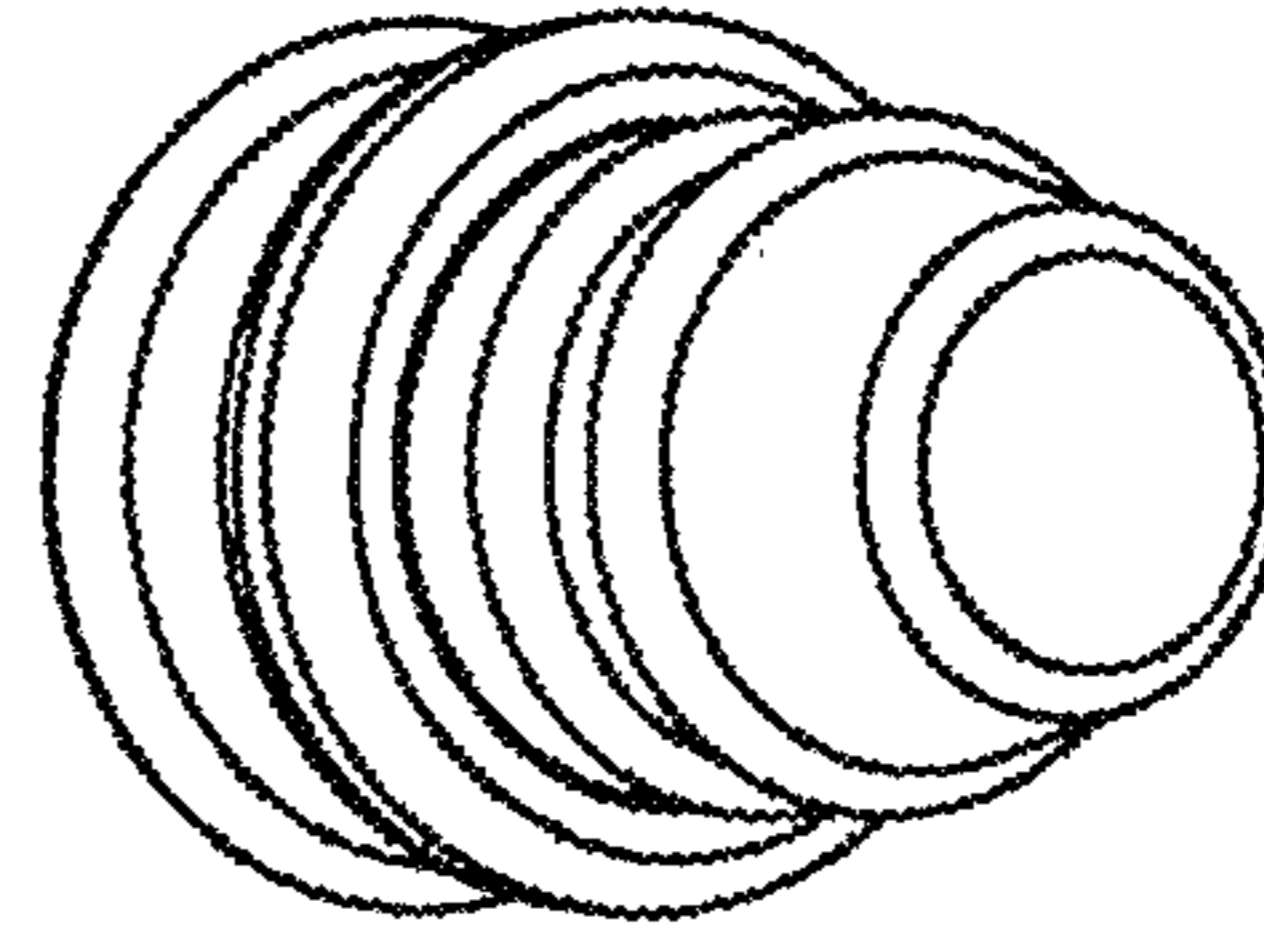


FIG. 9

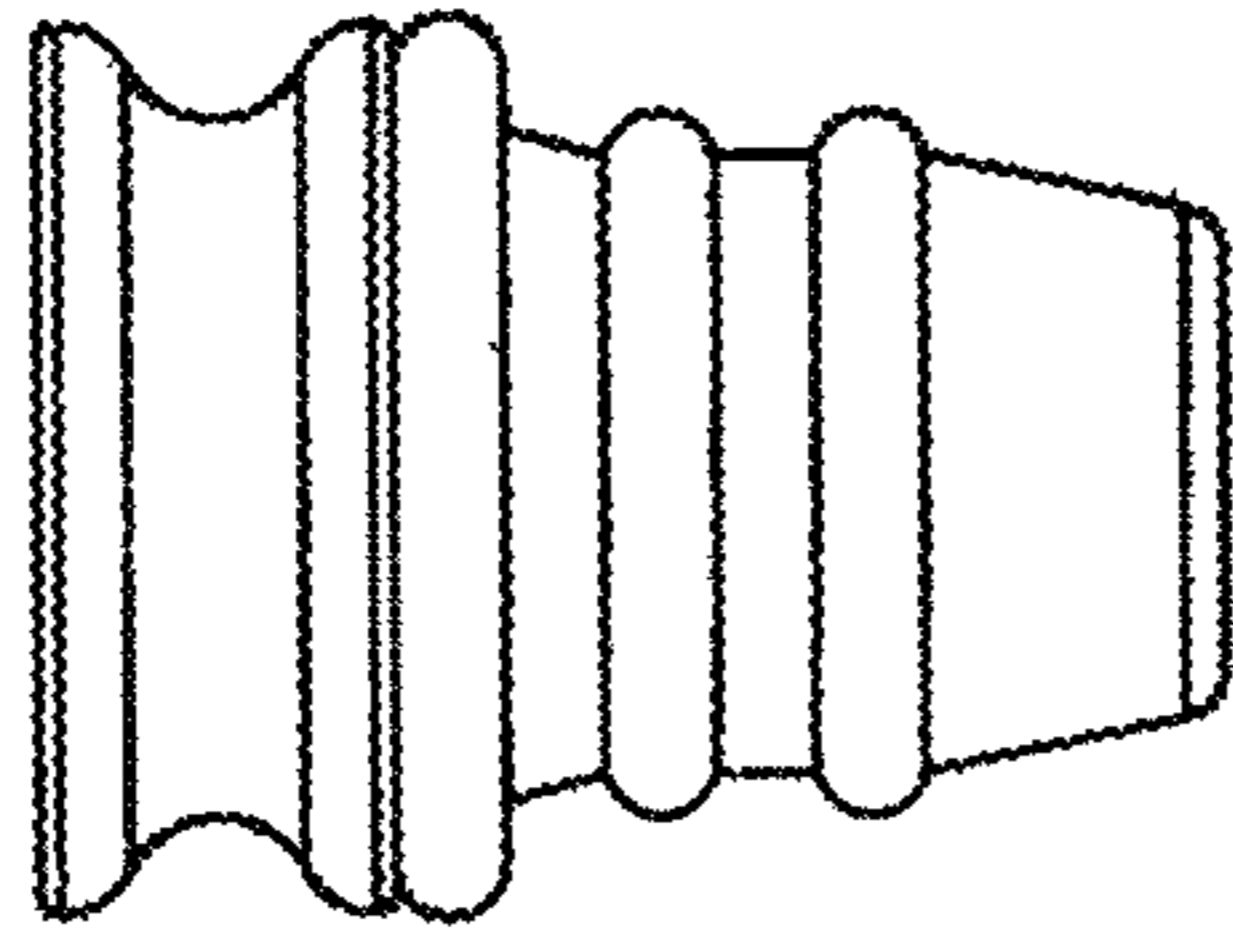


FIG. 6

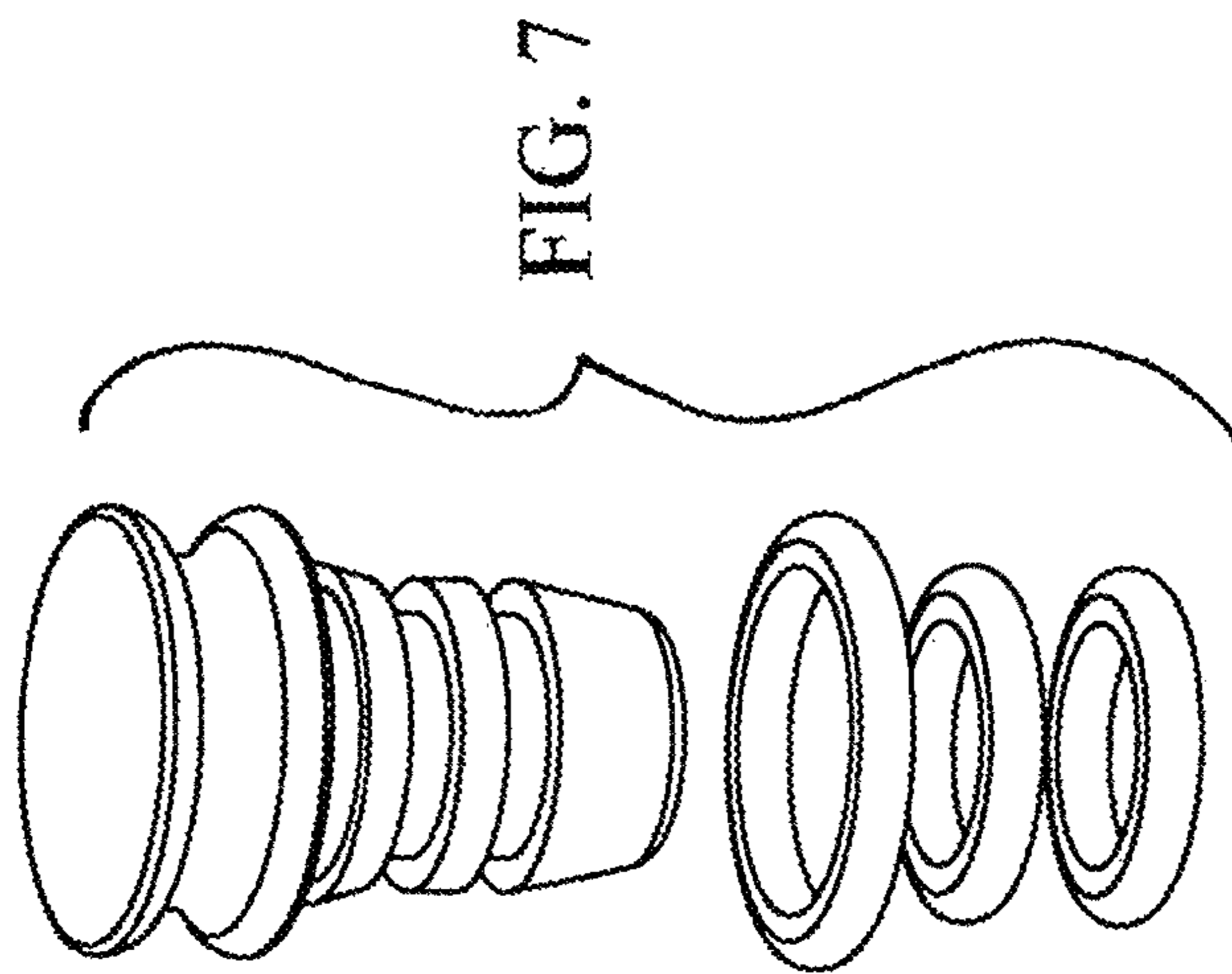


FIG. 7

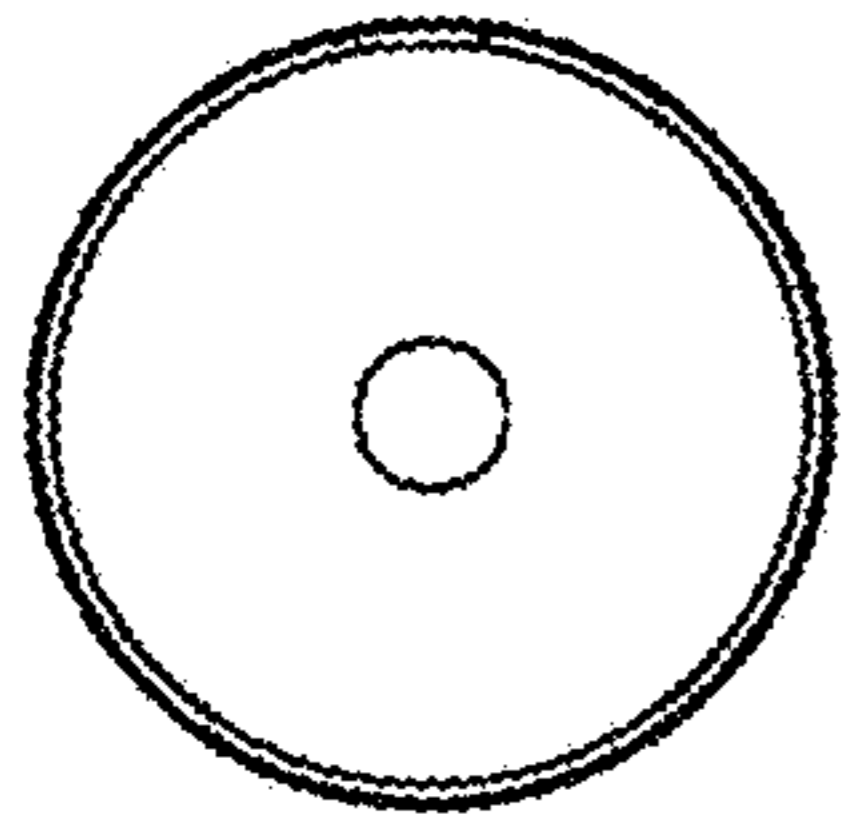


FIG. 10

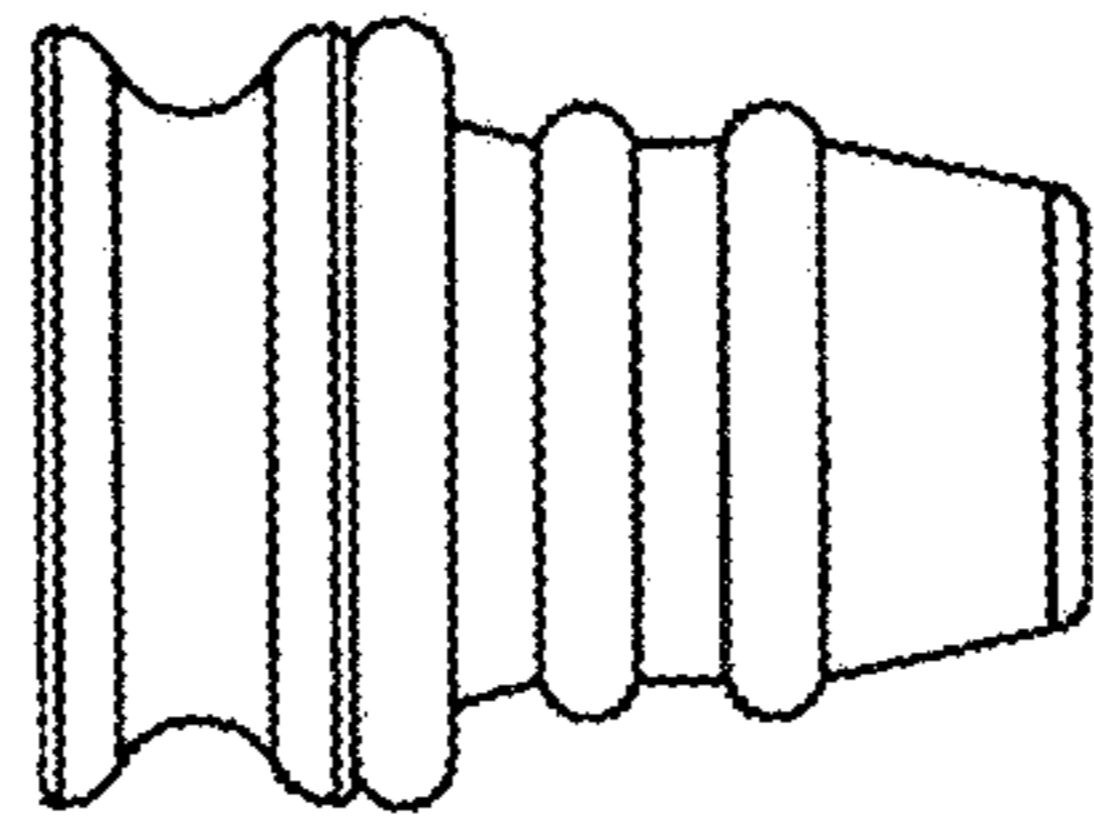


FIG. 12

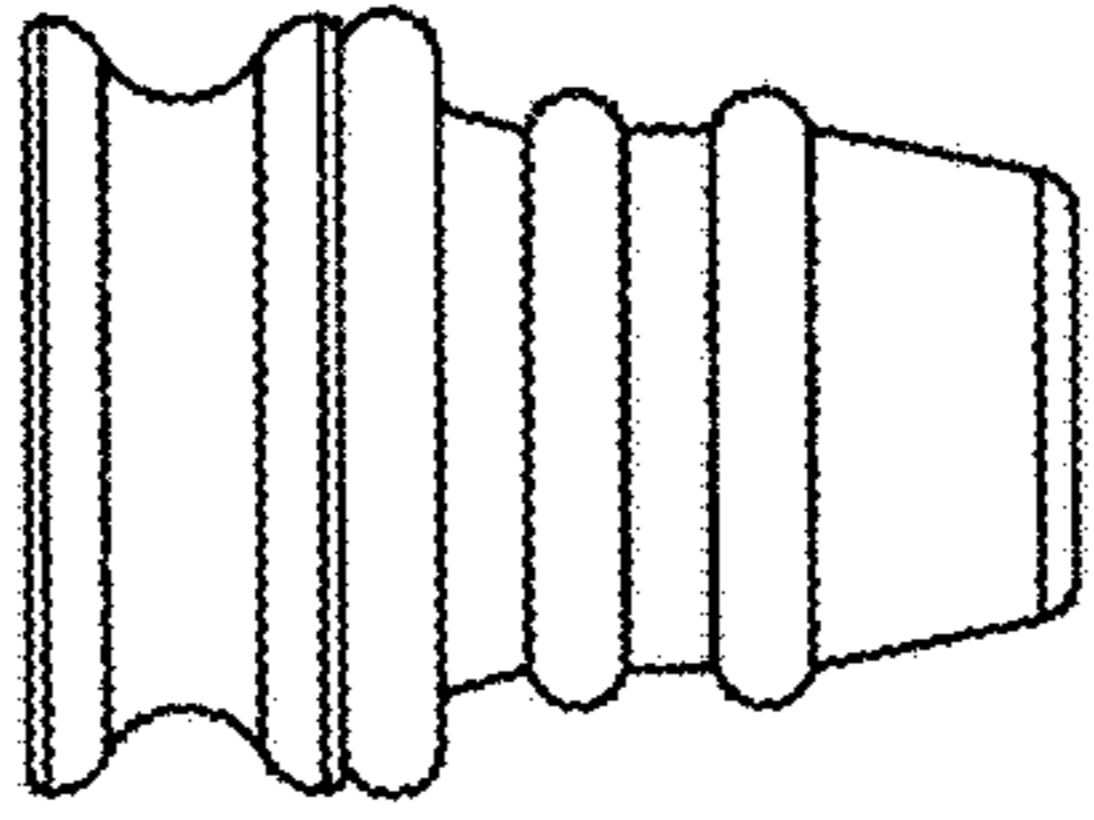


FIG. 13

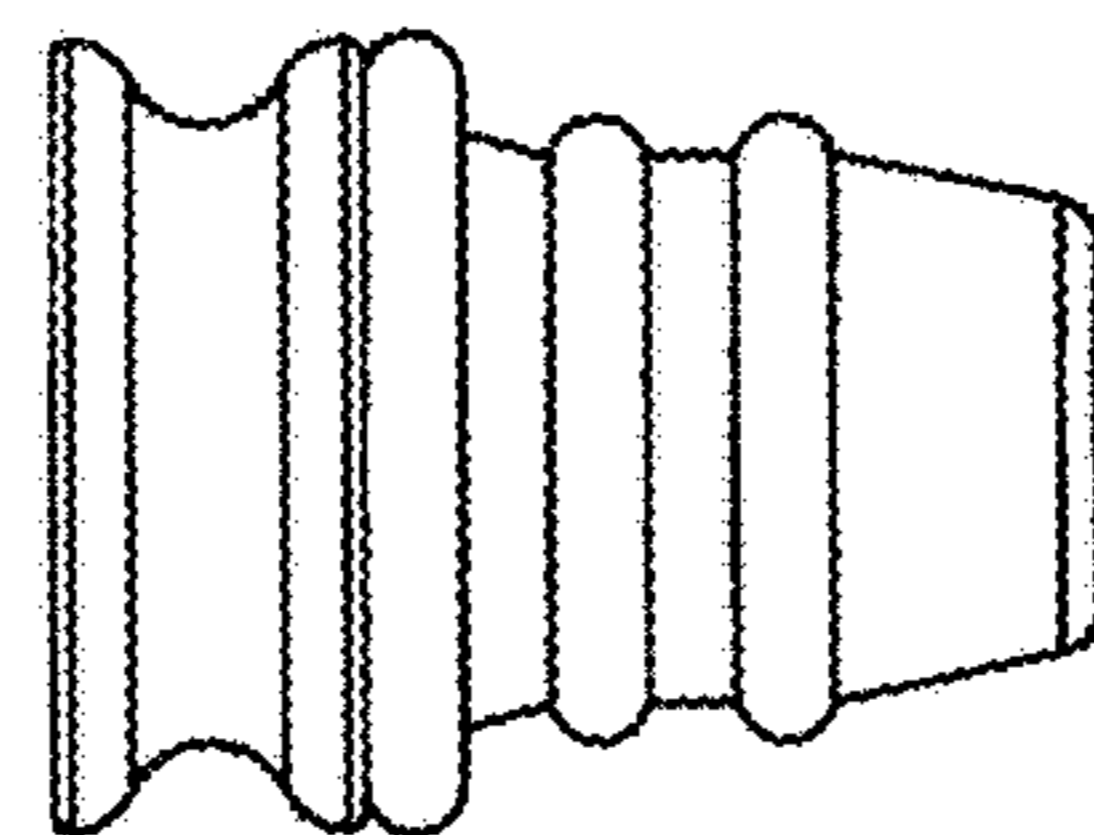


FIG. 11

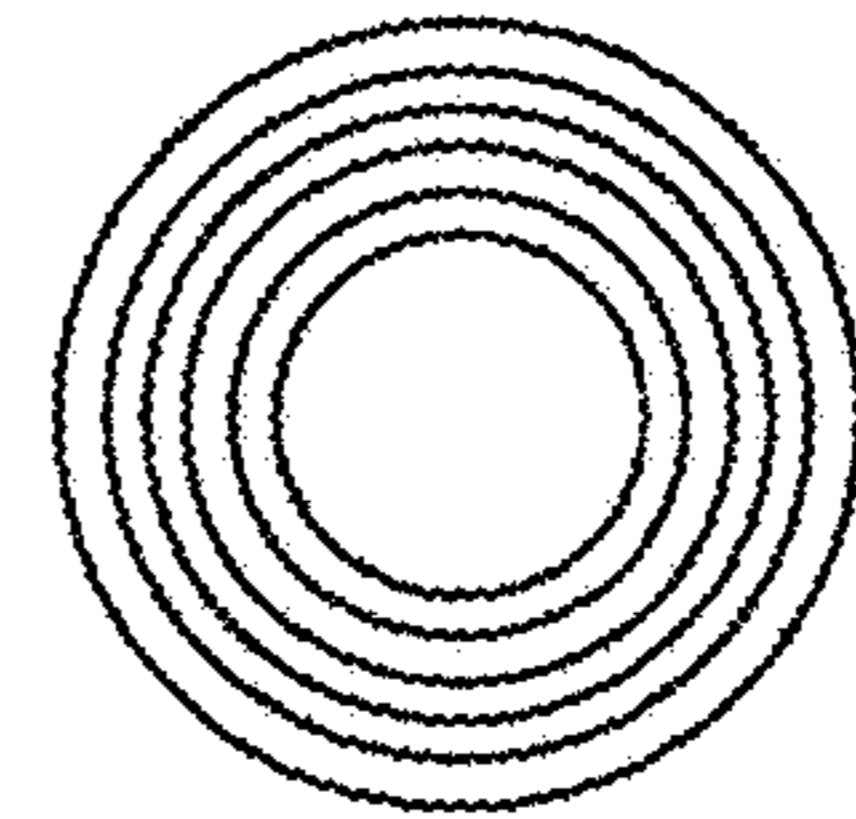


FIG. 14

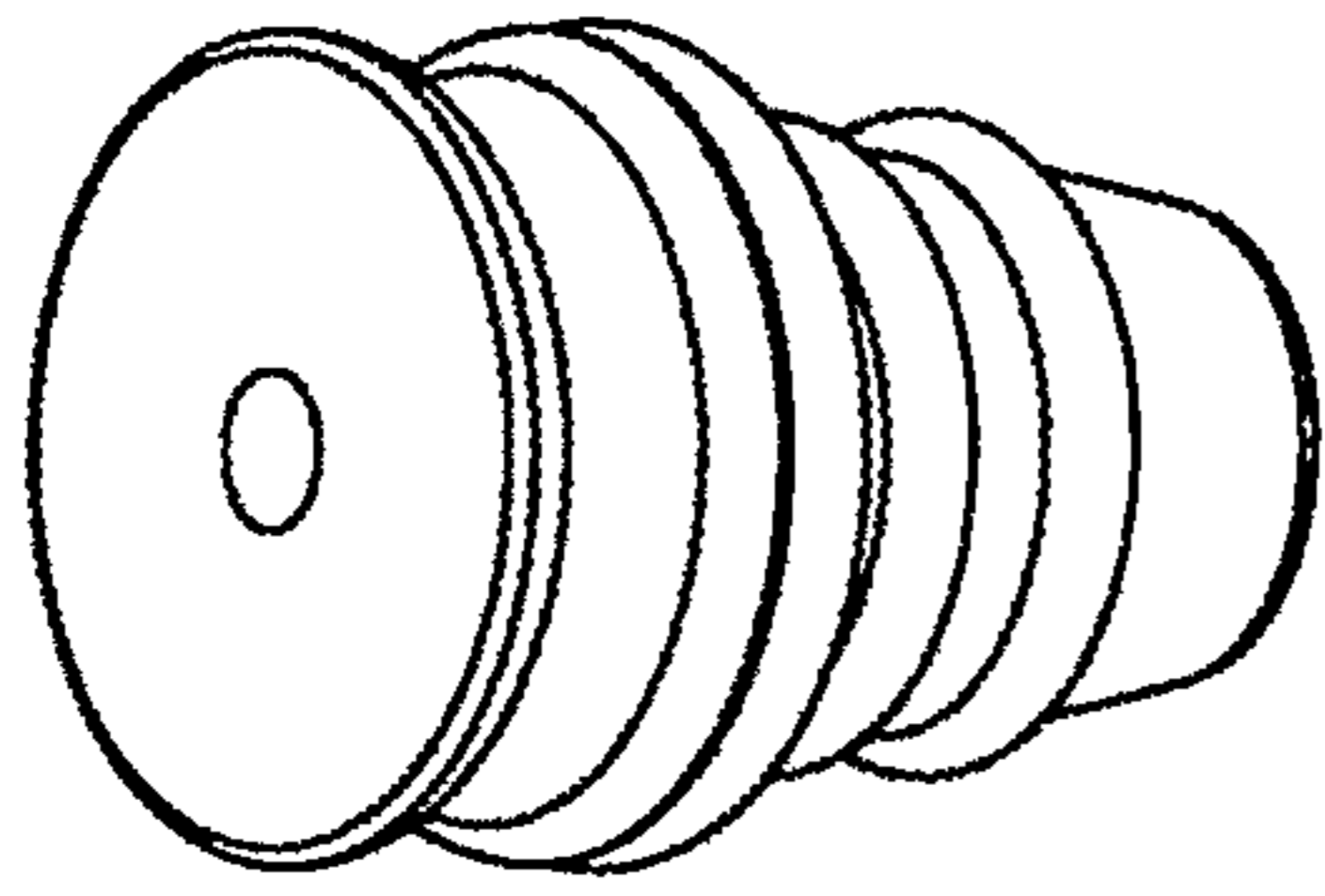


FIG. 17

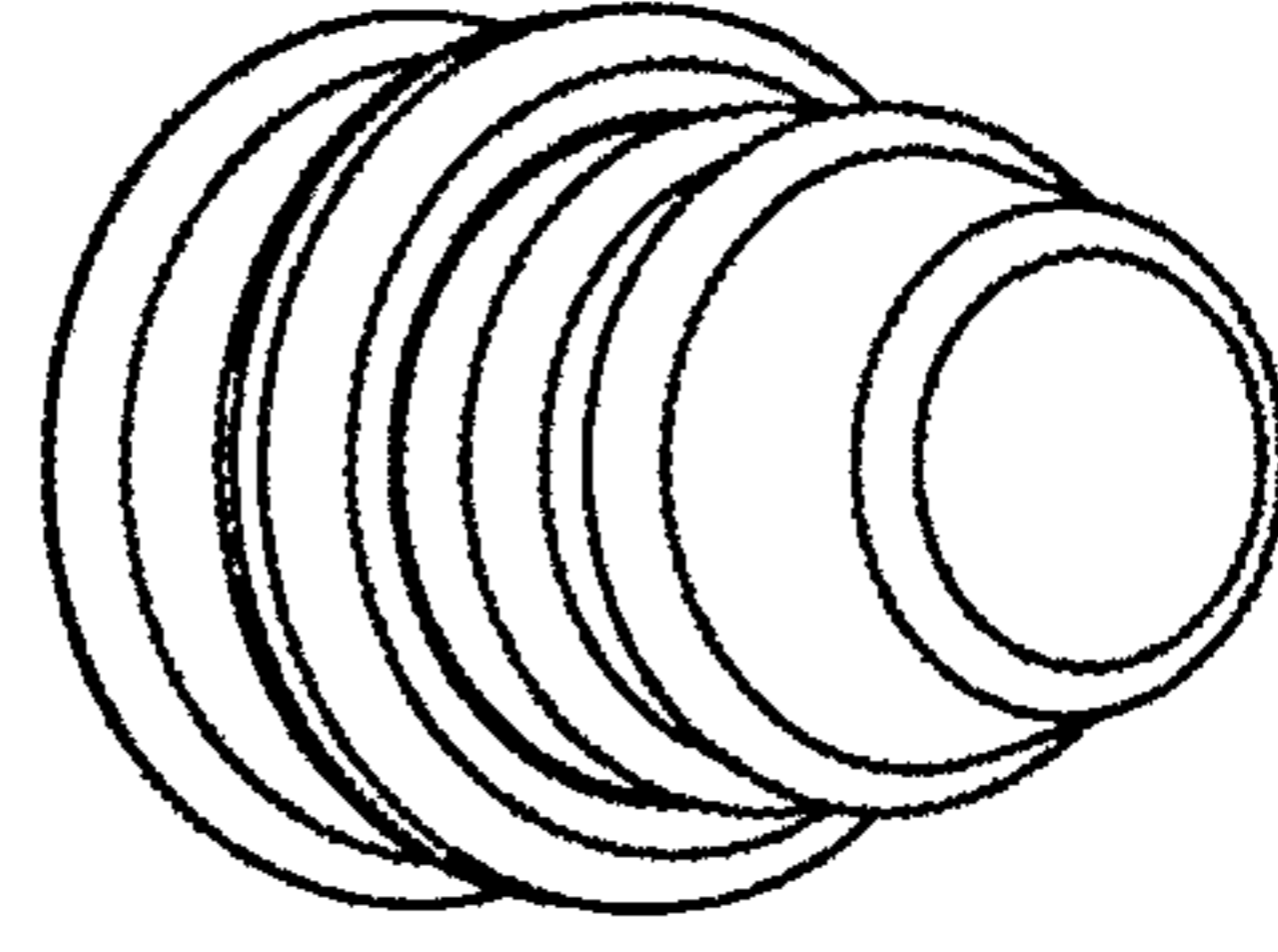


FIG. 18

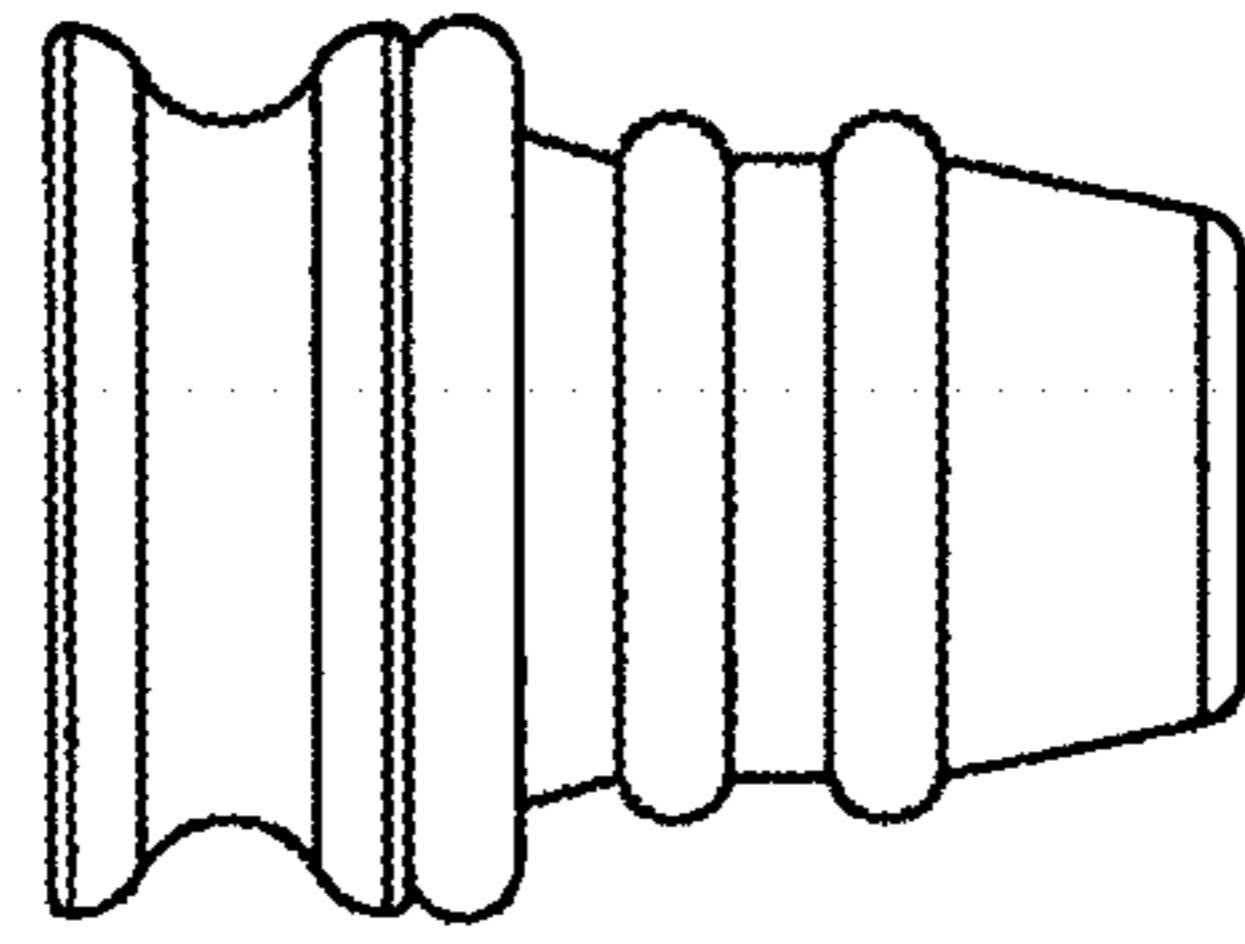


FIG. 15

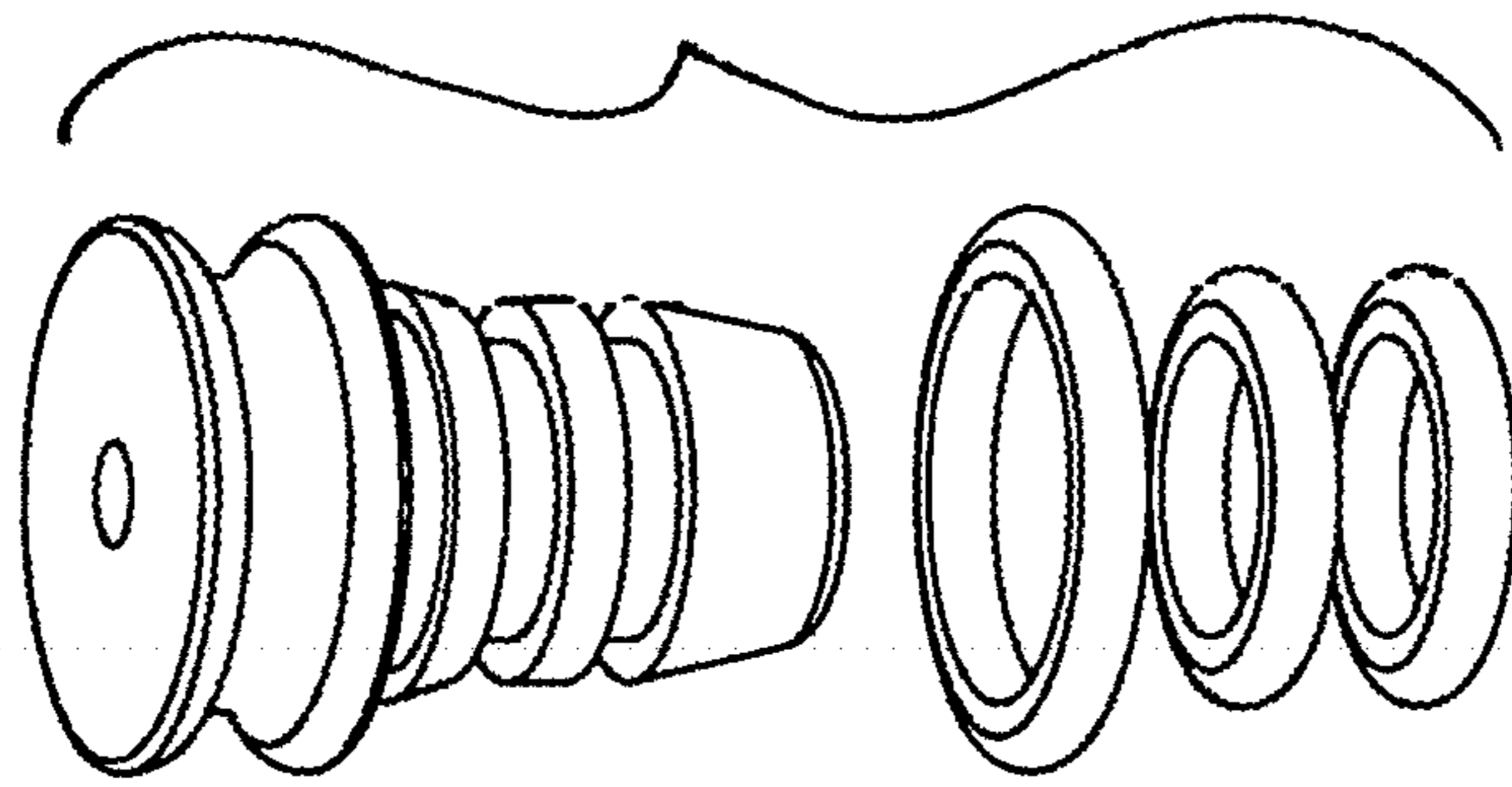


FIG. 16

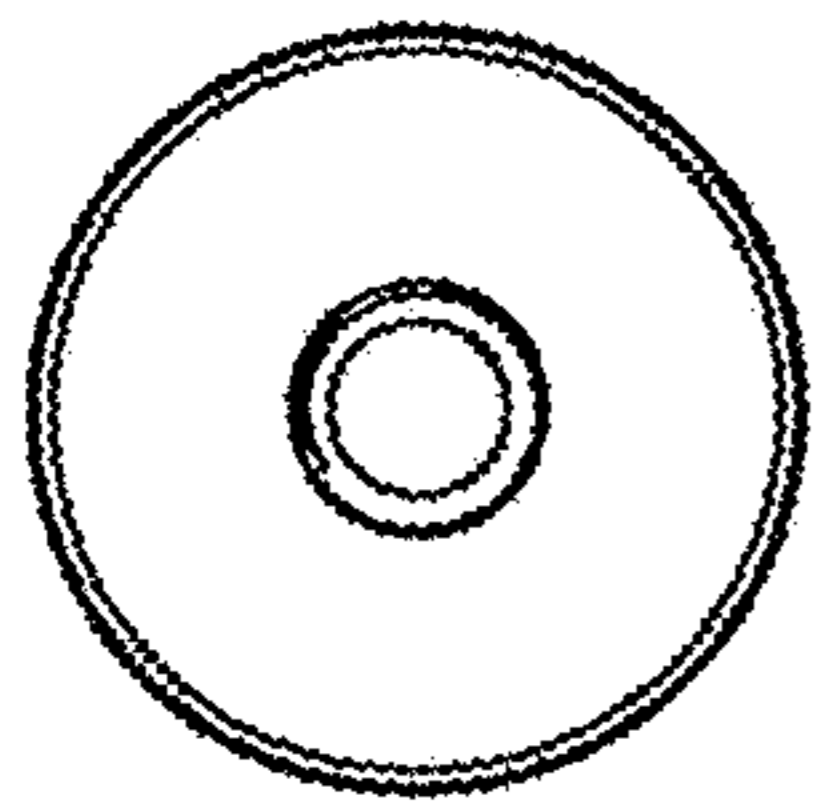


FIG. 19

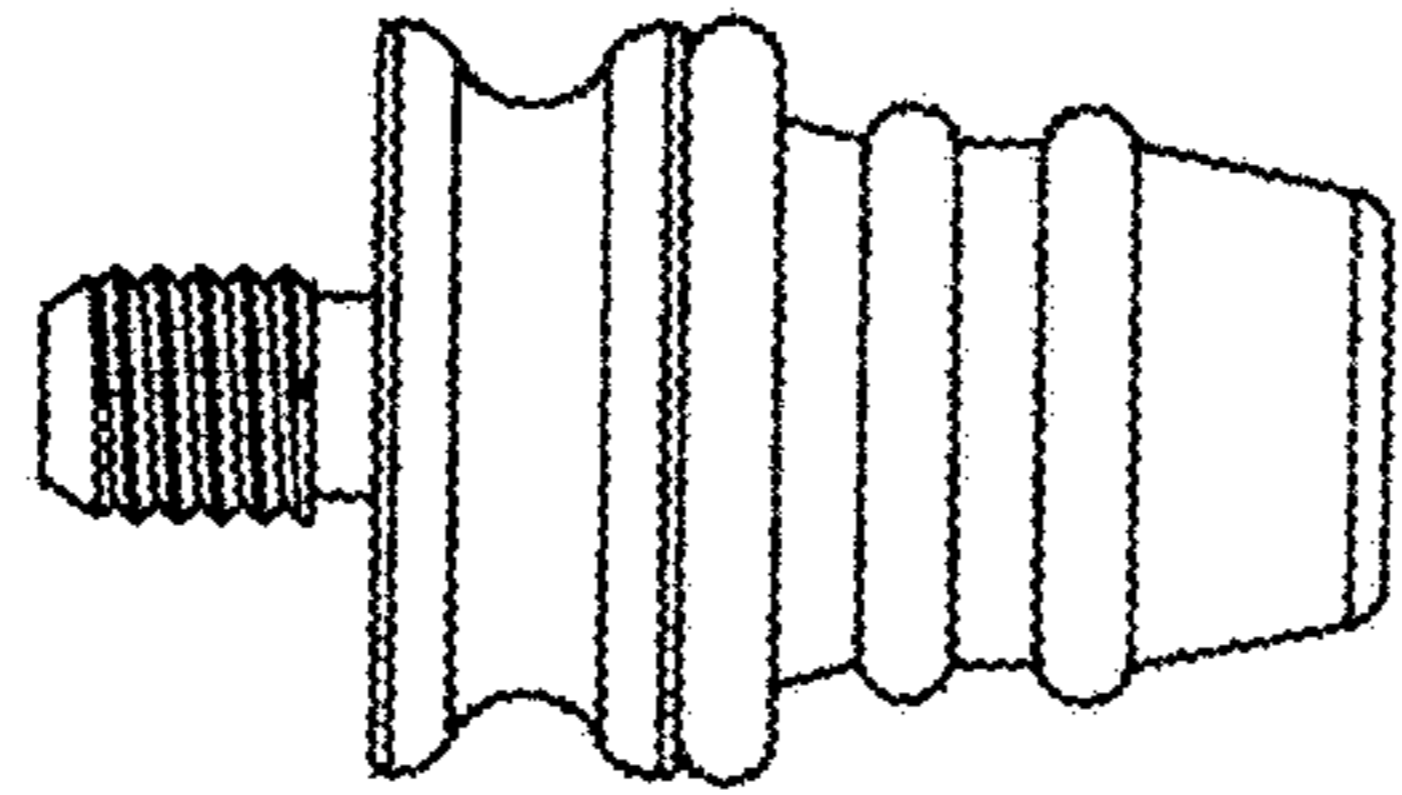


FIG. 21

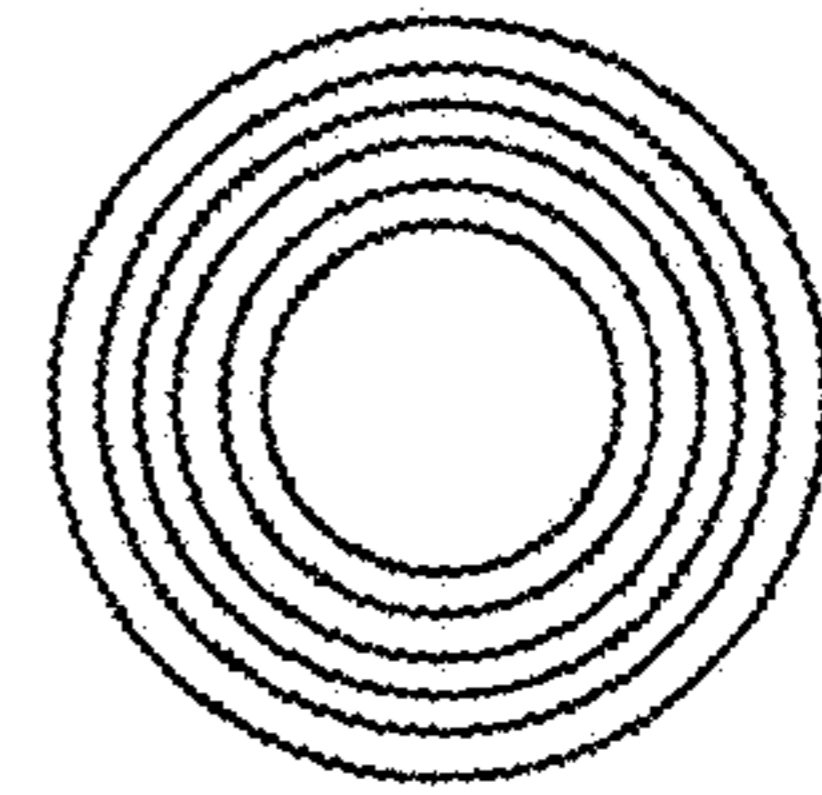


FIG. 23

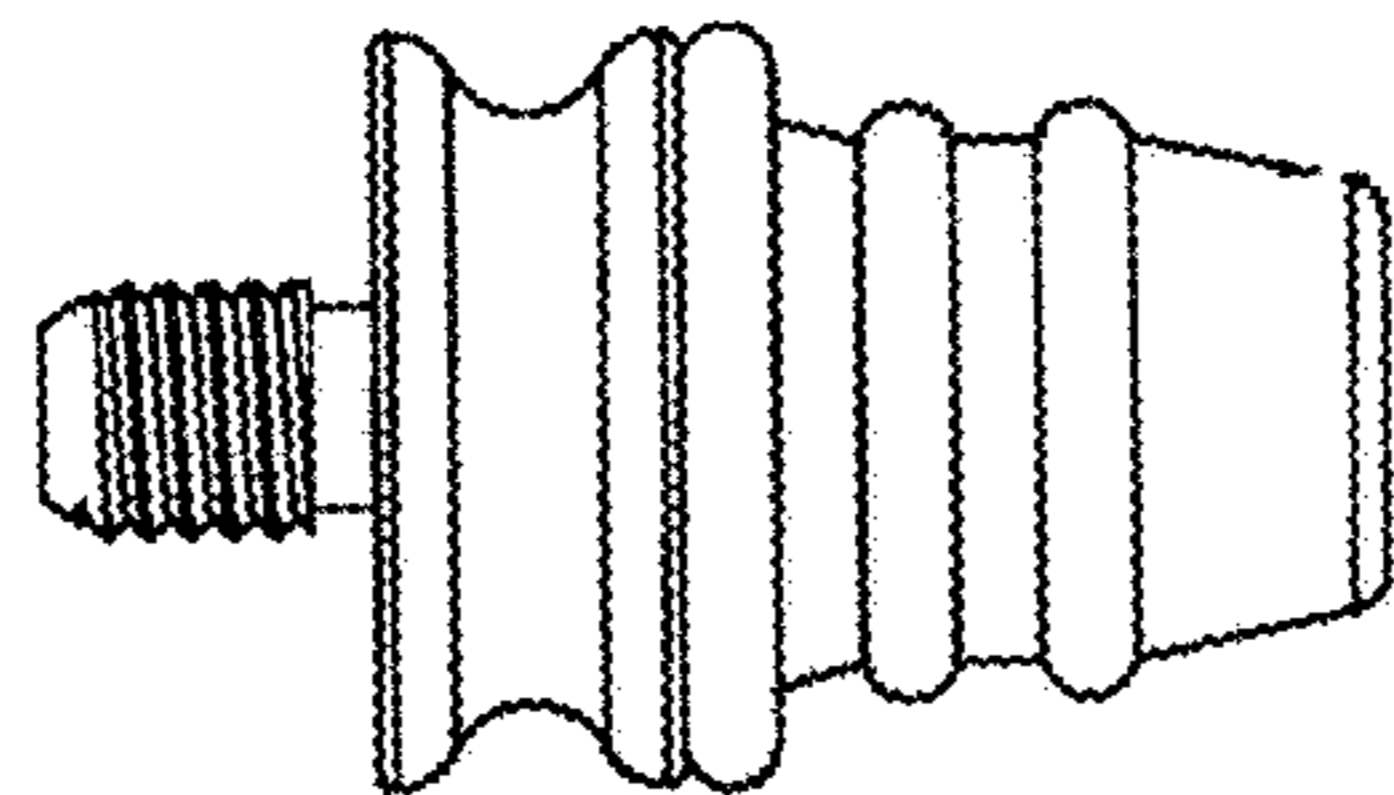


FIG. 20

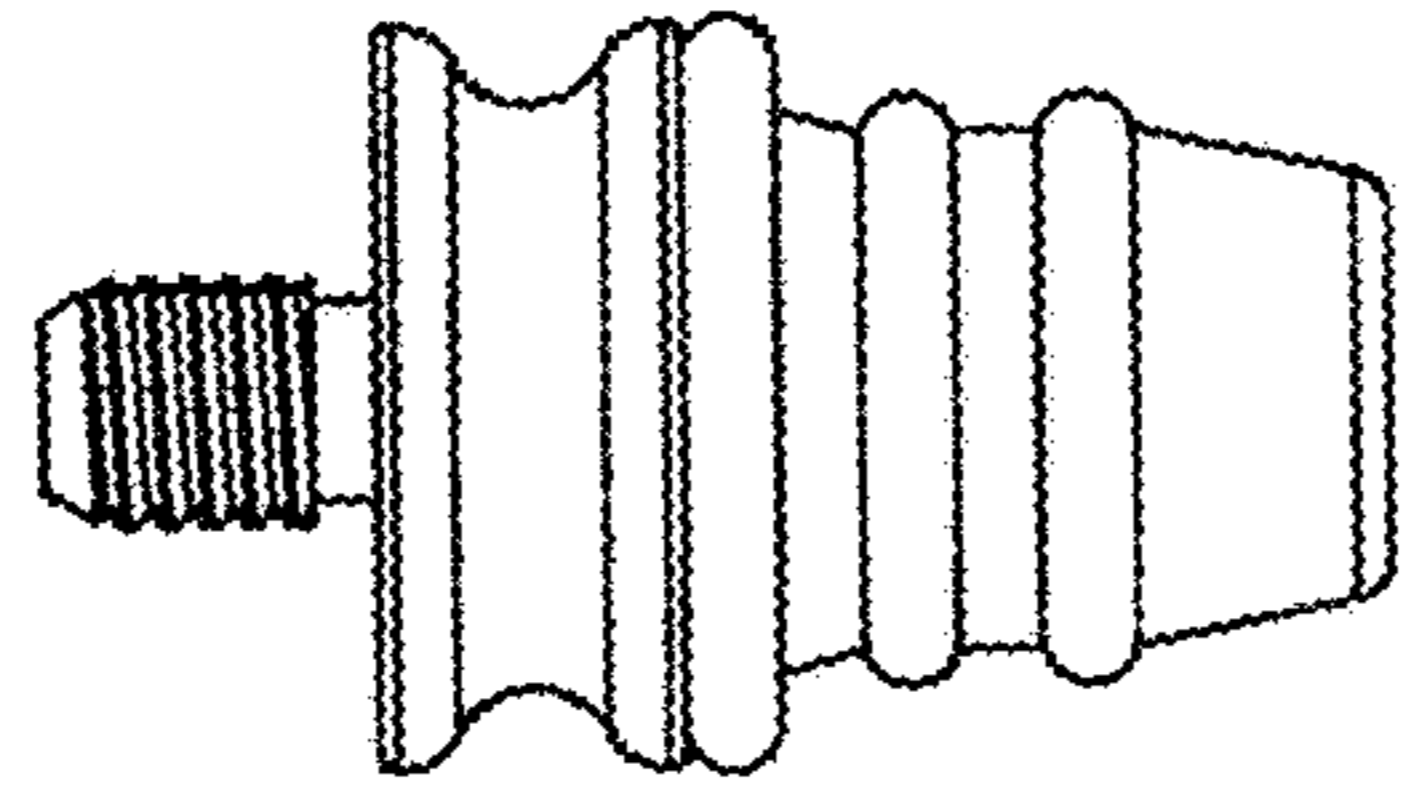


FIG. 22

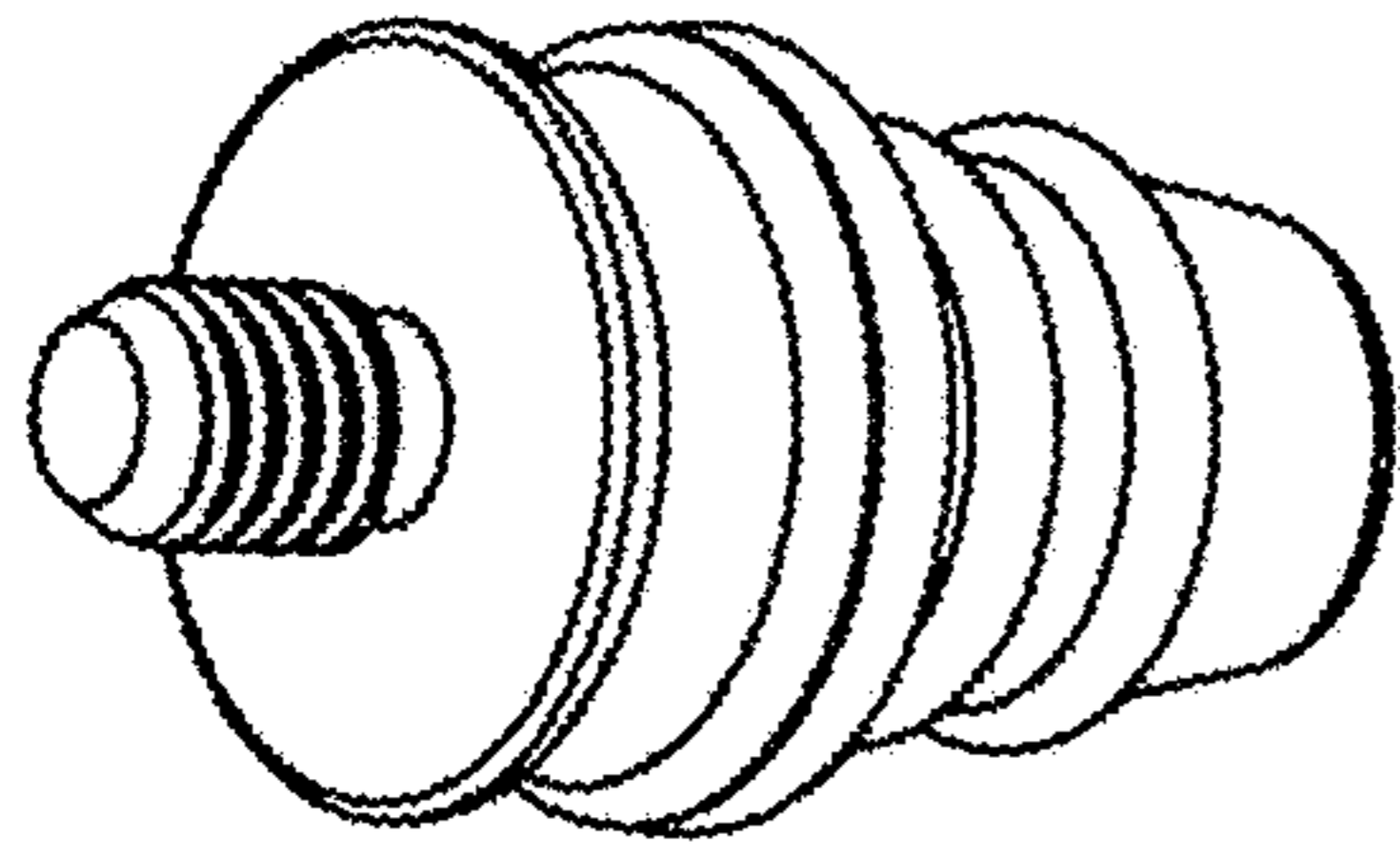


FIG. 26

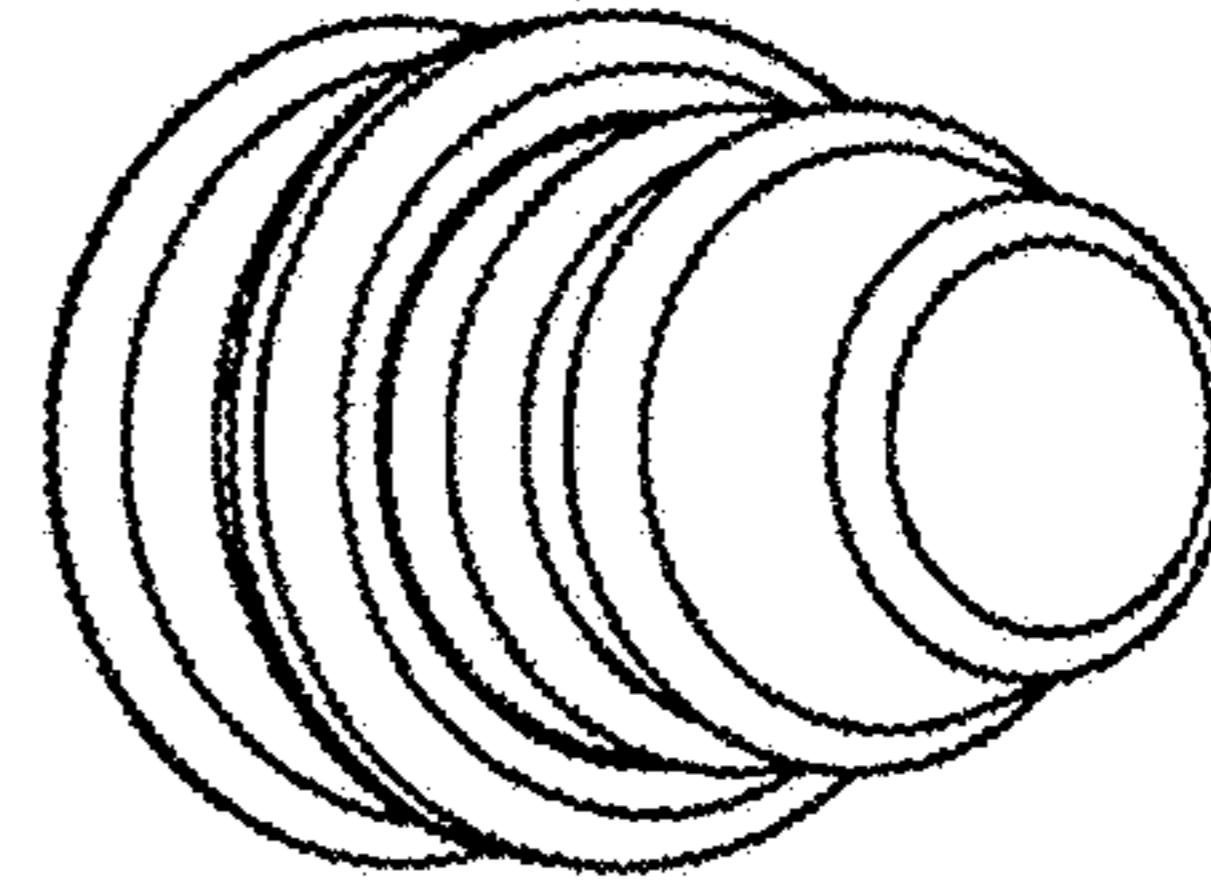


FIG. 27

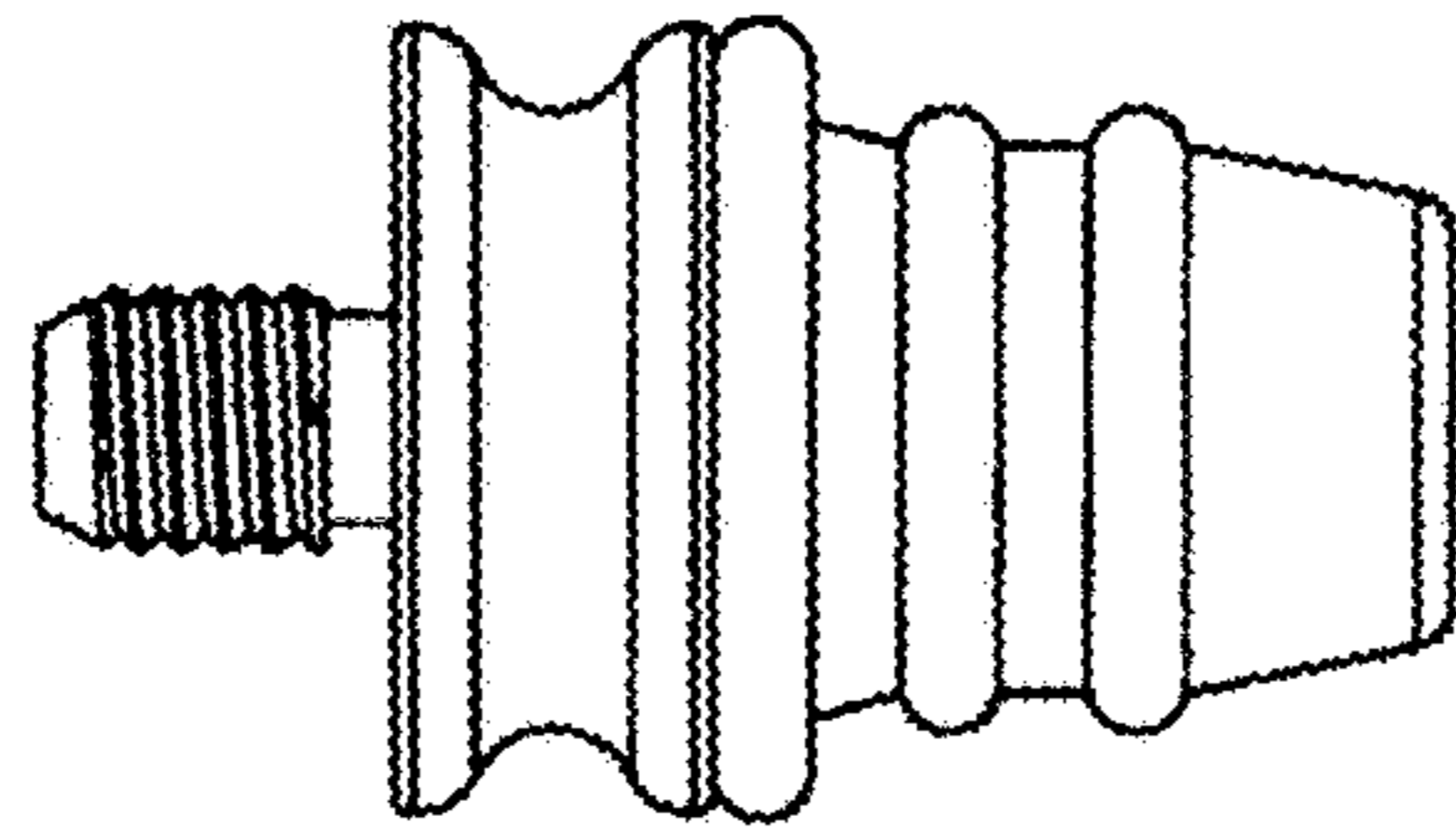


FIG. 24

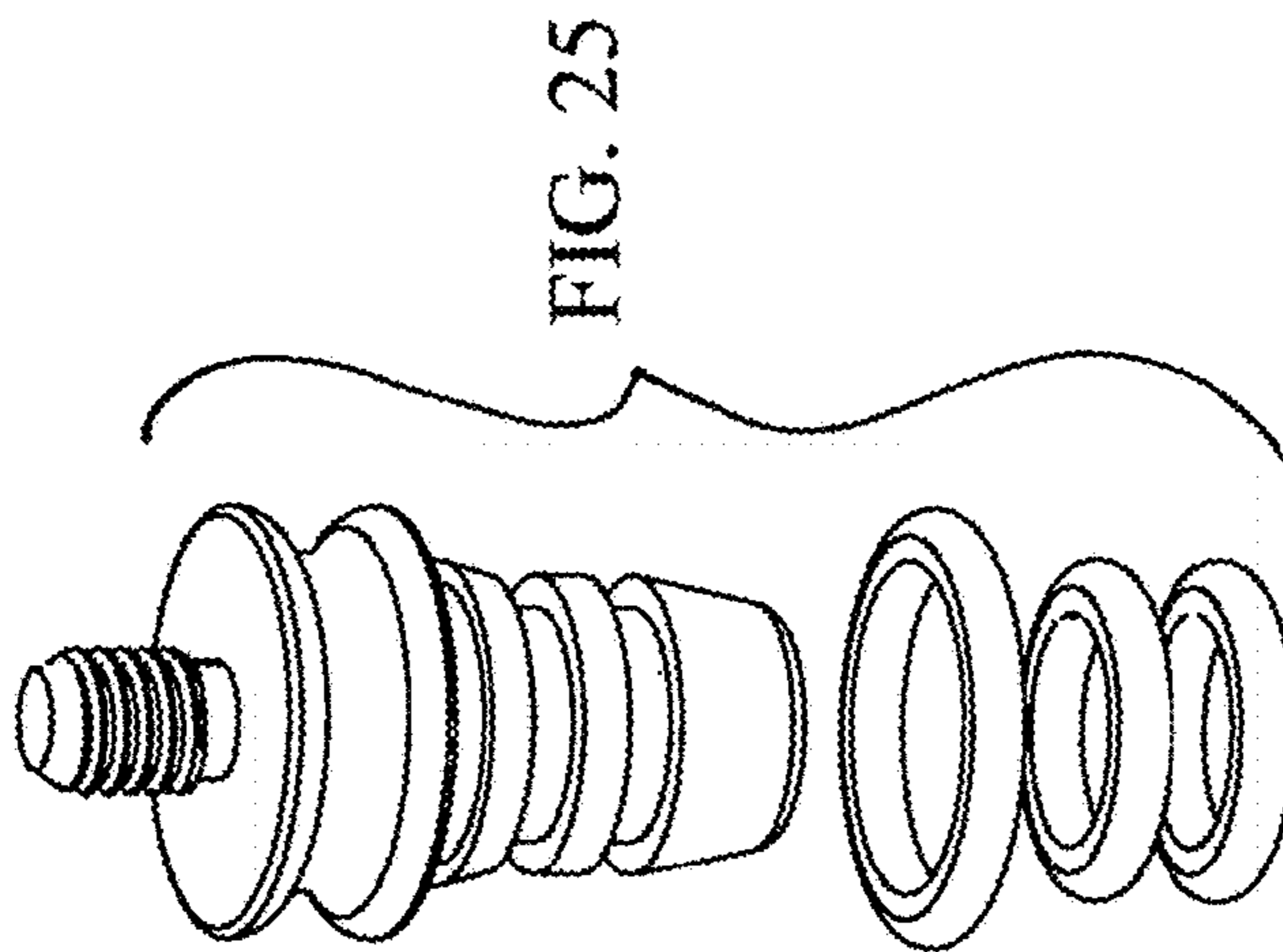


FIG. 25